

AN12395

OM-SE050ARD hardware overview

Rev. 1.2 — 14 May 2020

534312

Application note

Document information

Information	Content
Keywords	OM-SE050ARD, EdgeLock SE050
Abstract	This document describes the OM-SE050ARD development kit and details how to use its jumpers to configure the different communication options with the EdgeLock SE050 security IC.



Revision history

Revision history

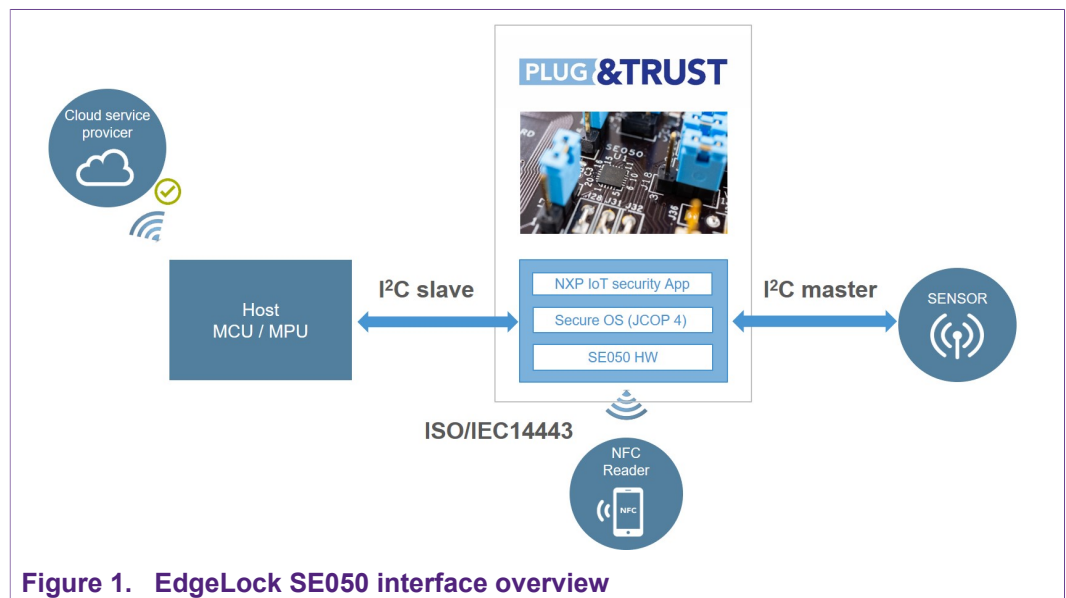
Revision number	Date	Description
1.0	2019-06-08	First document release.
1.1	2019-06-27	Corrected an error in Figure 2 pin description.
1.2	2020-05-14	Updated board figures (J14). Corrected Table 2 I2C High Speed Mode resistor value

1 Overview

The OM-SE050ARD is the development kit for the EdgeLock SE050 Plug & Trust product family. The OM-SE050ARD kit equipped with the configuration SE050C2 can be identified with part number SE050C2HQ1/Z01V3. This kit allows you to evaluate the EdgeLock SE050 product family features and simplifies the development of your custom applications.

The EdgeLock SE050 uses I²C as communication interface and its commands are wrapped using the Smartcard T=1 over I²C (T=1oI2C) protocol. In addition, the EdgeLock SE050 supports the following interfaces, as shown in [Figure 1](#):

- I²C interface in slave mode with data rates up to 3.4 Mbps .
- I²C interface in master mode with data rates up to 400 Khz.
- ISO/IEC 14443 T=CL protocol.



Note: Only the I²C slave interface is mandatory. The I²C master and ISO/IEC 14443 interfaces are optional.

The OM-SE050ARD flexible design makes it possible to access the EdgeLock SE050 interfaces by just changing a few jumper settings. [Table 1](#) indicates the ordering details of the OM-SE050ARD board:

Table 1. OM-SE050ARD development kit details

Part number	12NC	Content	Picture
OM-SE050ARD	935383282598	EdgeLock SE050 development board	

3 Jumpers overview

The OM-SE050ARD board uses individual jumpers to configure settings related with the EdgeLock SE050 interfaces, power supply and power modes. This section provides an overview to the OM-SE050ARD jumpers and its configuration options.

3.1 I²C configuration

The OM-SE050ARD has jumpers that allow you to control the configuration of the I²C slave and master interfaces available in EdgeLock SE050. These jumpers are:

- J9, J10: Configures the I²C master pull up connection.
- J15, J17: Configures the I²C slave connection.
- J37, J38: Configures the I²C slave interface pull up resistor.

[Table 2](#) describes the OM-SE050ARD jumper settings for each I²C setting configuration.

Table 2. Jumpers for I²C configuration

Jumper	Description	Open	1-2	3-4
J9	I ² C Master pull up connection	not connected (Default)	3k3 Ohm	n.a.
J10	I ² C Master pull up connection	not connected (Default)	3k3 Ohm	n.a.
J15	I ² C Slave SDA connection	not connected	Arduino R3 J4:5	Arduino R3 J2:9 (Default)
J17	I ² C Slave SCL connection	not connected	Arduino R3 J4:6	Arduino R3 J2:10 (Default)
J18	SE050_IO2 routing	n.a	Routed to J11:9 (Default)	Routed to J2:3
J37	I ² C Slave SCL pull up	3k3 Ohm (Default, FastMode)	660 Ohm (HS-Mode)	n.a.
J38	I ² C Slave SDA pull up	3k3 Ohm (Default, FastMode)	660 Ohm (HS-Mode)	n.a.

[Figure 3](#) highlights in blue the location of the OM-SE050ARD for I²C settings configuration.

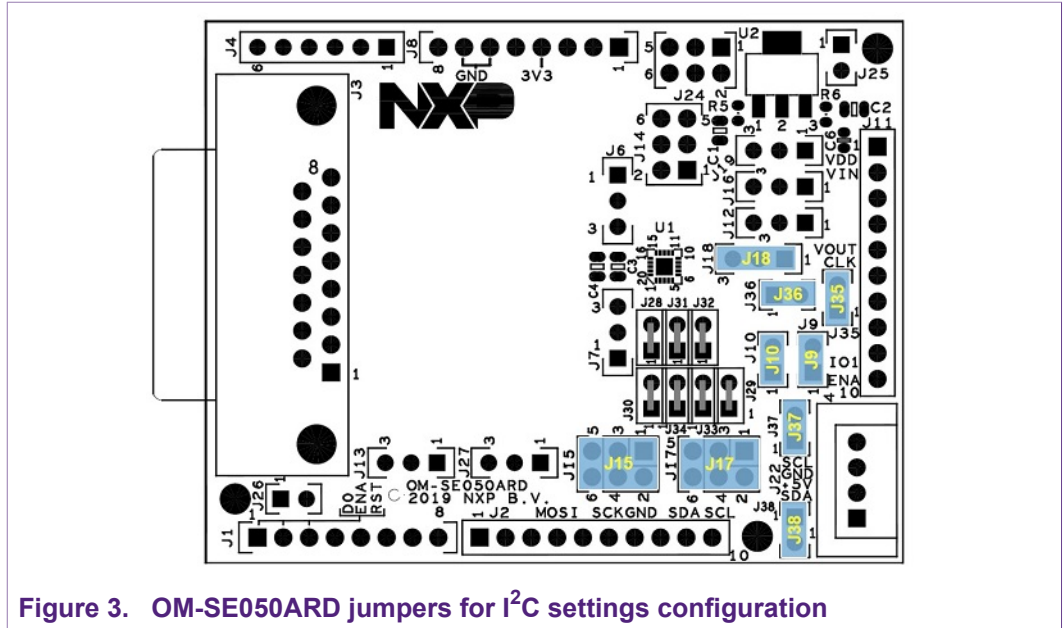


Figure 3. OM-SE050ARD jumpers for I²C settings configuration

3.2 Power supply options

The jumpers that allow you to change the OM-SE050ARD power supply settings are:

- J19: Configures V_{DD} supply voltage options.
- J16: Configures SE050_V_{IN} supply options.
- J24: Configures V_{DD} supply voltage options in case the LDO is used.

Table 3 describes the OM-SE050ARD jumper settings for each power supply settings configuration.

Table 3. Jumpers for power supply settings configuration

Jumper	Description	1-2	2-3	3-4	5-6
J16	SE050_V _{in} supply	Supplied by J11:2 pin	Supplied by the V _{DD} (see J19) (Default)	n.a.	n.a.
J19	V _{DD} supply voltage	From LDO	From 3V3_ARD pin (Default)	n.a.	n.a.
J24	V _{DD} supply voltage (if LDO is used)	From 5V_PC (External I ² C connector - Default)	n.a.	From 5V_DB15 pin	From 5V_ARD pin

Figure 4 shows the power supply unit schematics.

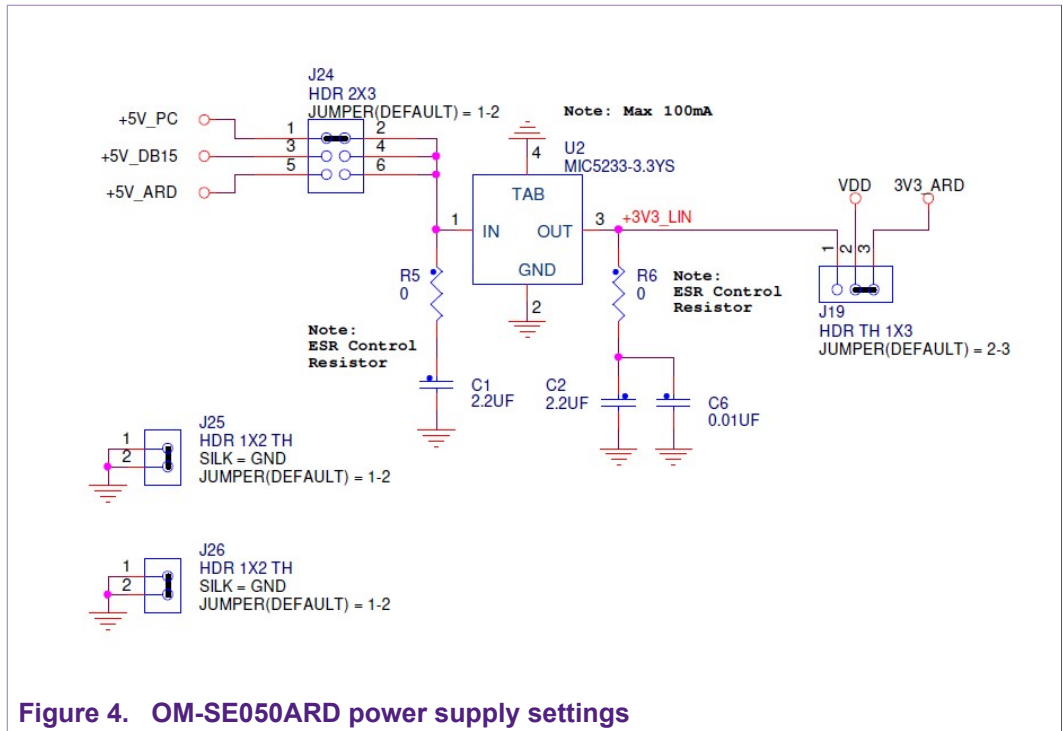
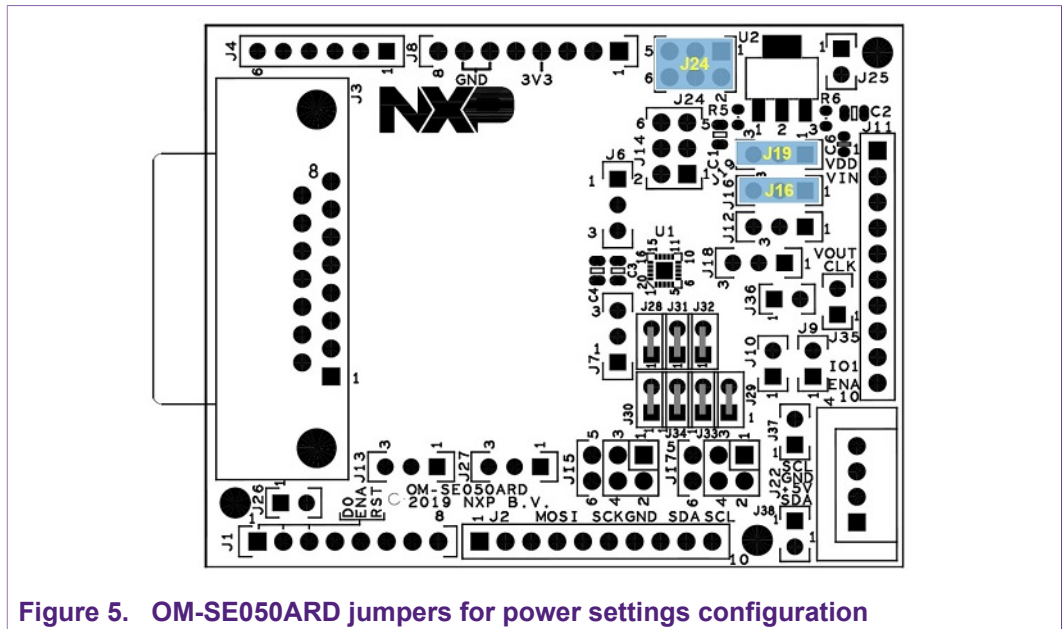


Figure 5 highlights in blue the location of the OM-SE050ARD for power supply settings configuration.



3.3 Deep power-down mode

The deep power-down mode reduces the EdgeLock SE050 power consumption to the minimum. In this mode, only I²C pads stay supplied via V_{in}. The deep power-down mode

is enabled by setting the ENA pin to a logic zero. In addition, it is required to supply V_{in} pin and connect V_{out} and V_{cc} pins at the PCB level.

The ENA pin controls an internal switch between V_{out} and V_{in} as shown in [Figure 6](#). Therefore, if V_{out} is connected to V_{cc} , the ENA pin can effectively switch the power on and off to V_{cc} .

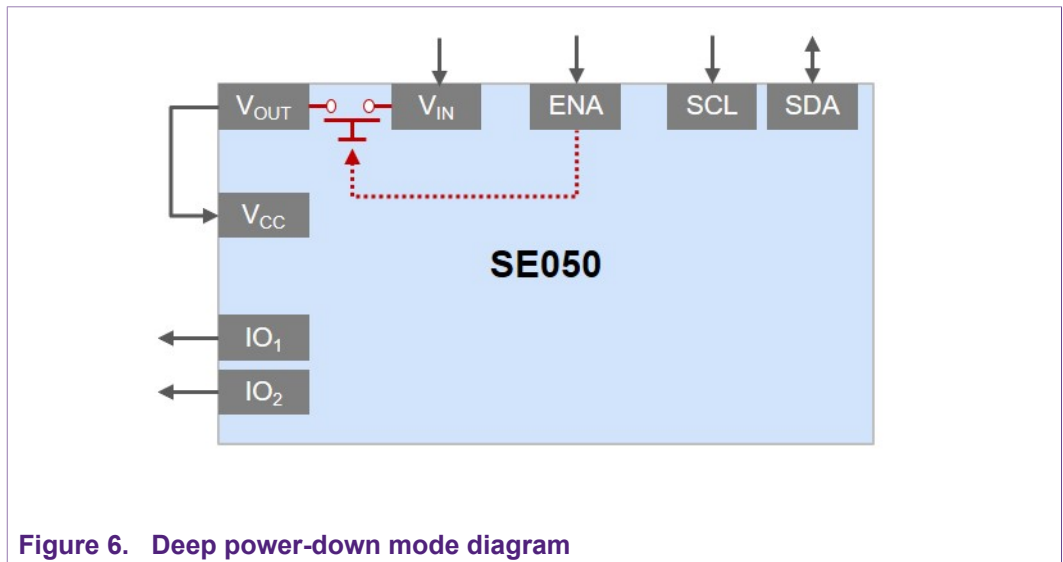


Figure 6. Deep power-down mode diagram

The jumpers J13 and J14 of the OM-SE050ARD allow you to control the EdgeLock SE050 deep power-down mode. To enable the deep power-down mode using the OM-SE050ARD:

- J13: Must be set to position 2-3.
- J14: Must be set to position 1-2.

[Table 4](#) describes the OM-SE050ARD jumper settings for the deep power-down mode configuration

Table 4. Jumpers for deep power-down mode configuration

Jumper	Description	1-2	2-3	3-4	5-6
J13	SE050_ENA pin routing	ENA low. Switch disabled	ENA controlled by Arduino R3 (Default)	n.a.	n.a.
J14	SE050_V _{CC} pin routing	Routed to V _{DD} supply voltage (Default)	n.a.	Routed to SE050_V _{out} pin	Routed to J11:4 pin

[Figure 7](#) highlights in blue the location of jumper J13 and J14.

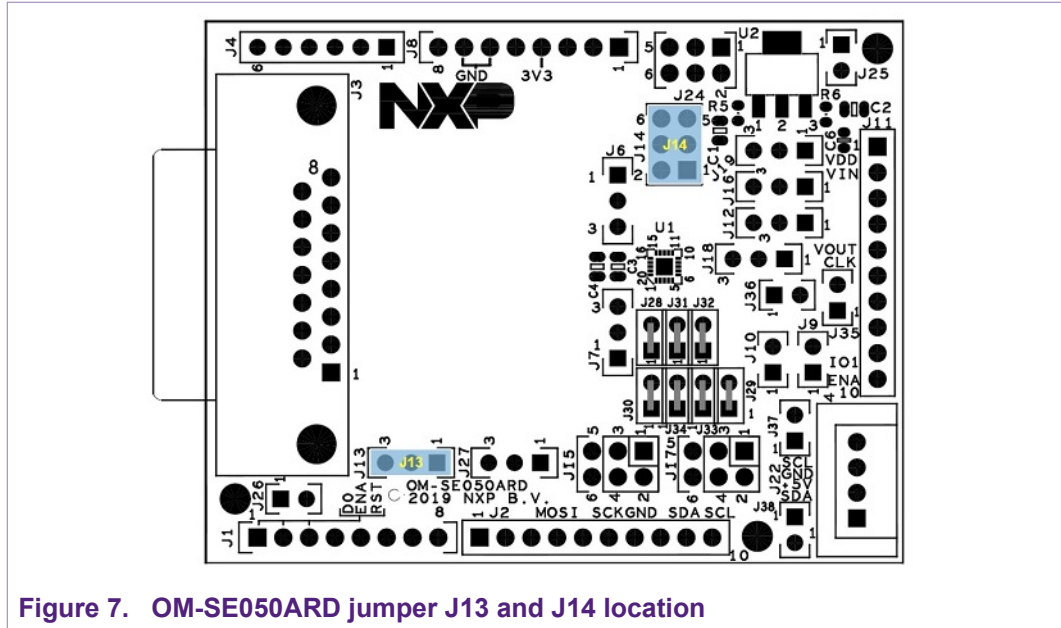


Figure 7. OM-SE050ARD jumper J13 and J14 location

3.4 Reset pin routing

Jumper J12 allows you to control the I²C reset pin routing of the EdgeLock SE050. [Table 5](#) indicates the J12 configuration.

Note: The EdgeLock SE050 reset pin does not apply for the I²C interface.

Table 5. Jumpers for reset pin routing configuration

Jumper	Description	Open	1-2	2-3
J12	SE050_RST pin	Not connected	Routed to J11:3 strip pin connector	Routed to Arduino R3 (Default)

[Figure 8](#) highlights in blue the location of Jumper J12.

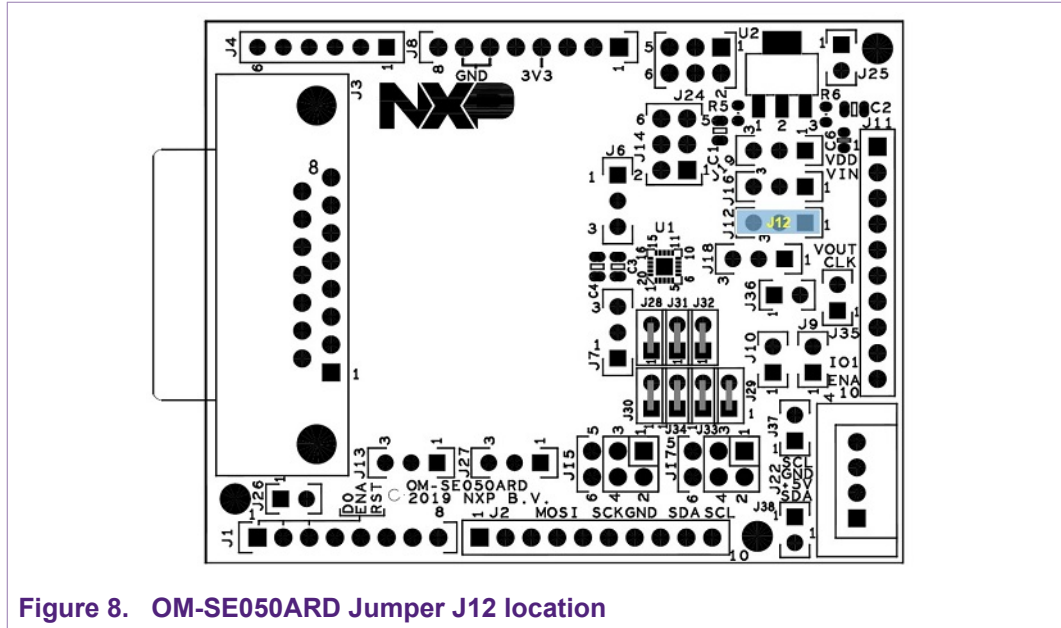


Figure 8. OM-SE050ARD Jumper J12 location

3.5 ISO/IEC14443 contactless interface

Jumper J6 and J7 allow you to control the EdgeLock SE050 contactless interface and allows you to select which antenna shall be used for contactless communication. [Table 6](#) indicates J6 and J7 jumper settings.

Table 6. Jumpers for ISO/IEC14443 contactless interface settings

Jumper position	Description
J6: 2-3 and J7: 1-2	Contactless operation disabled
J6: 1-2 and J7: 2-3	Contactless operation disabled (Default)
J6: 2-3 and J7: 2-3	Contactless operation enabled with OM-SE050ARD internal antenna
J6: 1-2 and J7: 1-2	Contactless operation enabled with external ID1 antenna through DB15 connector

[Figure 9](#) highlights in blue the location of jumpers J6 and J7.

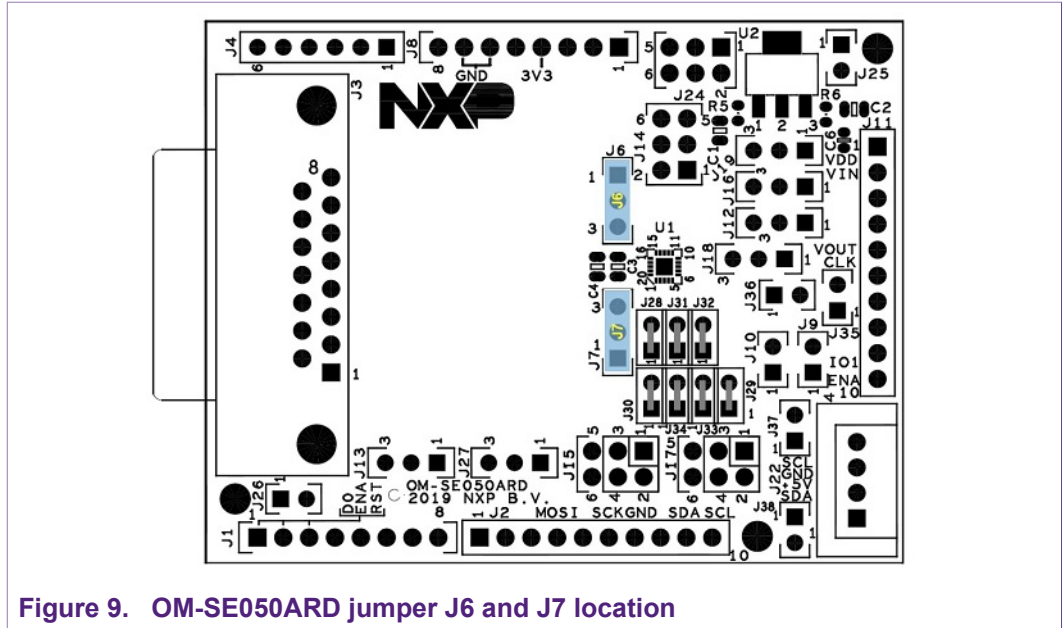


Figure 9. OM-SE050ARD jumper J6 and J7 location

4 OM-SE050ARD board use cases

This section details the jumper settings to configure the different interfaces and to enable specific use cases with the OM-SE050ARD board.

4.1 EdgeLock SE050 via Arduino header

This section details the jumper configuration to enable the I²C slave interface in the Arduino header. The related jumpers of the OM-SE050ARD for I²C slave interface configuration are:

- J37 and J38: Configure the pull up resistors of the I²C interface.
- J19: Configures V_{DD} supply voltage options.
- J24: Configures V_{DD} supply voltage options in case the LDO is used.

Table 7. Jumper settings for I²C slave interface configuration

Jumper	Configuration	Comment
J6	Set to 1-2 (Default)	Contactless operation disabled
J7	Set to 2-3 (Default)	Contactless operation disabled
J9, J10	Set to "Open" (Default)	I ² C master pull ups disabled
J12	Set to 2-3 (Default)	SE_RST routed to ARD_RST on J1:3
J13	Set to 2-3 (Default)	SE_ENA set to ARD_ENA on J1:6
J14	Set to 1-2 (Default)	SE_V _{DD} as SE_V _{DD}
J15	Set to 3-4 (Default)	I ² C_SDA routed to ARD_SDA_R3 (J2:9)
	Set to 1-2	I ² C_SDA routed to ARD_SDA (J4:5)
J16	Set to 2-3	V _{DD} as SE_V _{IN}
J17	Set to 3-4 (Default)	I ² C_SCL routed to ARD_SCL_R3 (J2:10)
	Set to 1-2	I ² C_SCL routed to ARD_SCL (J4:6)
J18	Set to 1-2	SE_IO2 to pin 9 of header J11
J19	Set to 2-3 (Default)	V _{DD} supply voltage from Arduino-R3 voltages
	Set to 1-2	V _{DD} supply voltage from LDO.
J24	Set to 1-2 (Default)	No input LDO
	Set to 5-6	5V_ARD to LDO
J25, J26	Do not care	Dummy jumpers
J37, J38	Set to "Open" (Default)	3k3 pull-up resistor for I ² C standard mode

Jumper	Configuration	Comment
	Set to "Closed"	560 Ohm parallel pull-up resistor for I ² C high speed mode

Figure 10 shows the jumper settings to configure the I²C slave in standard mode and 3.3V_ARD supply voltage (no LDO).

In this example, the jumper configuration used in Figure 10 correspond to the values highlighted in bold in Table 7 (J15, J17, J19, J24, J37 and J38).

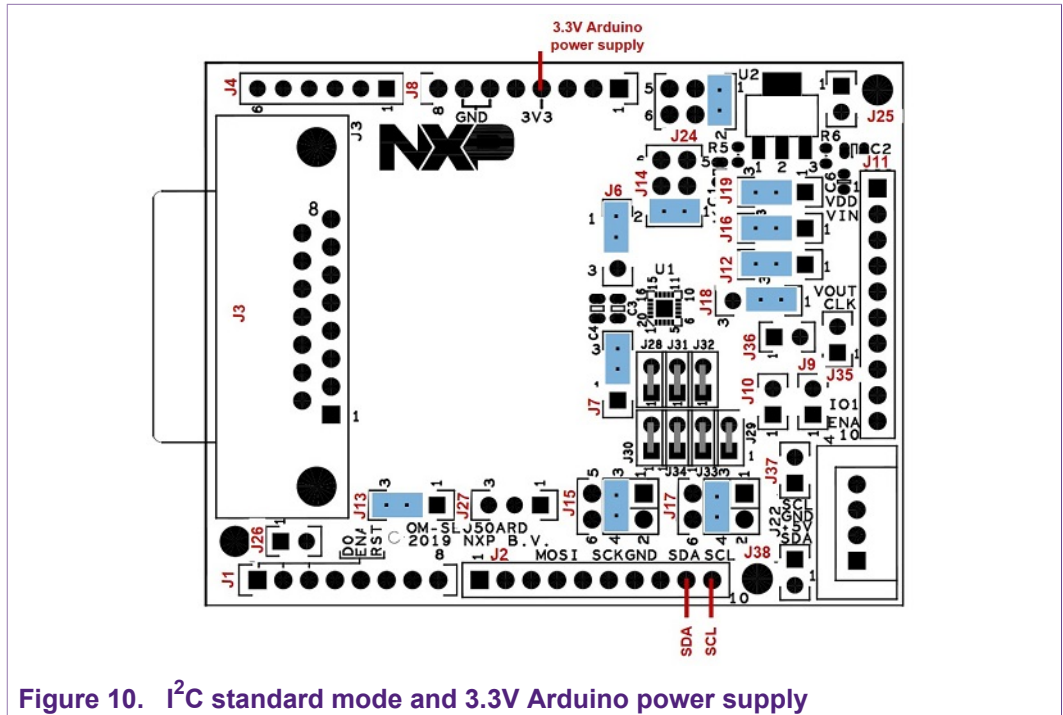


Figure 10. I²C standard mode and 3.3V Arduino power supply

You may modify the I²C mode or power supply settings just changing the jumper settings accordingly as indicated in Table 7.

4.2 EdgeLock SE050 via external I²C connector

Figure 11 shows the jumper settings to configure EdgeLock SE050 communication via external I²C connector:

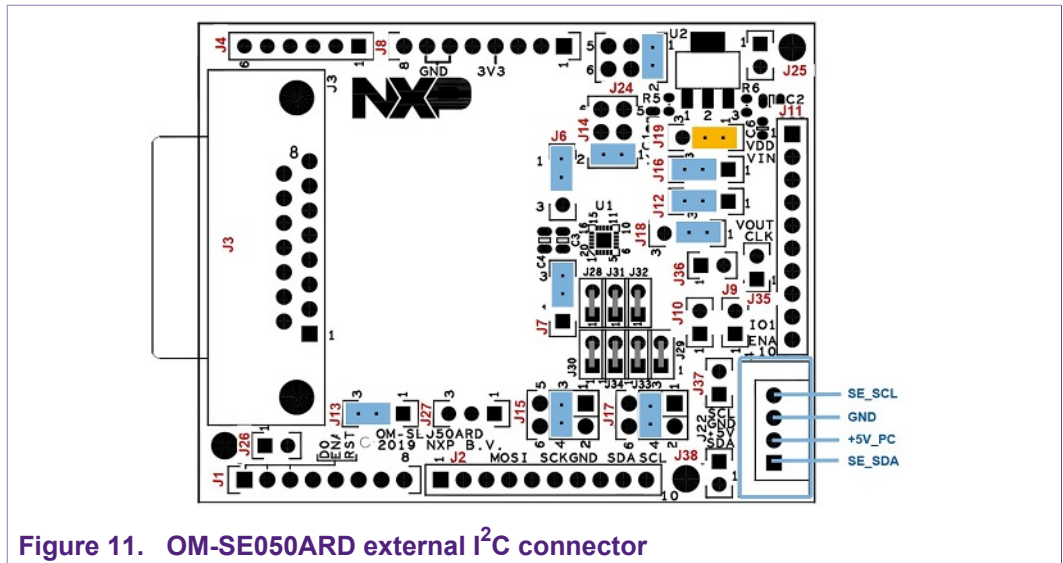


Figure 11. OM-SE050ARD external I²C connector

Table 8 details the jumper settings for this configuration (External I²C connector).

Table 8. OM-SE050ARD external I²C connector

Jumper	Configuration	Comment
J6	Set to 1-2 (Default)	Contactless operation disabled
J7	Set to 2-3 (Default)	Contactless operation disabled
J9, J10	Set to open (Default)	I ² C master pull ups disabled
J12	Set to 2-3 (Default)	SE_RST routed to ARD_RST on J1:3
J13	Set to 2-3 (Default)	SE_ENA set to ARD_ENA on J1:6
J14	Set to 1-2 (Default)	SE_VDD as SE_VDD
J15	Set to 3-4 (Default)	I2C_SDA routed to ARD_SDA_R3 (J2:9)
J16	Set to 2-3 (Default)	VDD as SE_VIN
J17	Set to 3-4 (Default)	I2C_SCL routed to ARD_SCL_R3 (J2:10)
J18	Set to 1-2 (Default)	SE_IO2 to pin 9 of header J11
J19	Set to 1-2	3.3V from LDO as V_{DD} supply voltage
J24	Set to 1-2 (Default)	5V_PC from external MCU board to LDO
J25, J26	Do not care	Dummy jumpers
J37, J38	Set to "Open" (Default)	3k3 pull-up resistor for I ² C standard mode

4.3 EdgeLock SE050 in I²C master mode

This section details the jumper configuration to enable the I²C master of the EdgeLock SE050. The I²C master interface can be used to connect a sensor securely. The EdgeLock SE050 guarantees the privacy and the authenticity of the data extracted by sensor. The data collected in the application over the EdgeLock SE050 private sensor can be transferred to the cloud for further treatment and analysis. The [Figure 12](#) shows the EdgeLock SE050 solution block diagram for this use case:

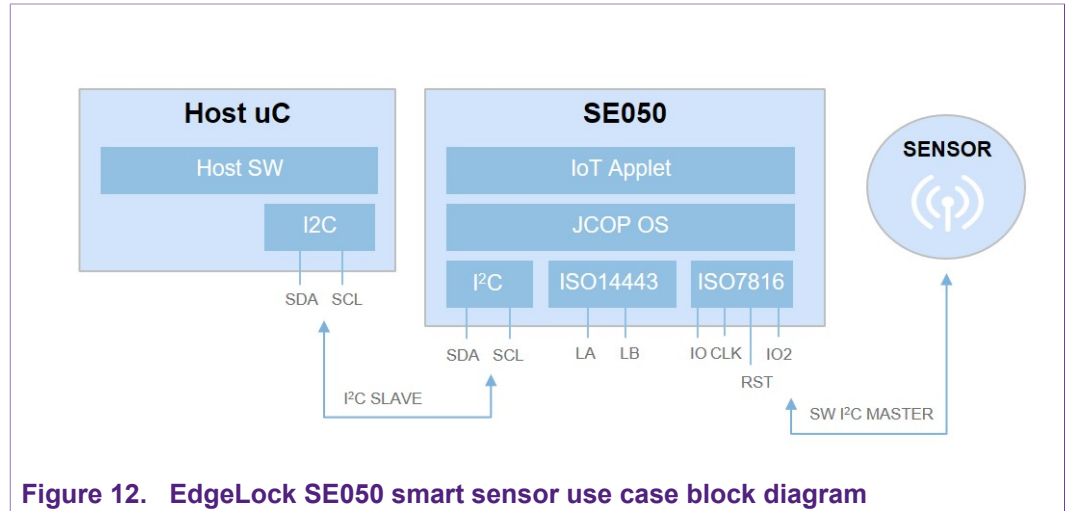


Figure 12. EdgeLock SE050 smart sensor use case block diagram

[Figure 13](#) shows the jumper settings to enable the EdgeLock SE050 I²C master interface.

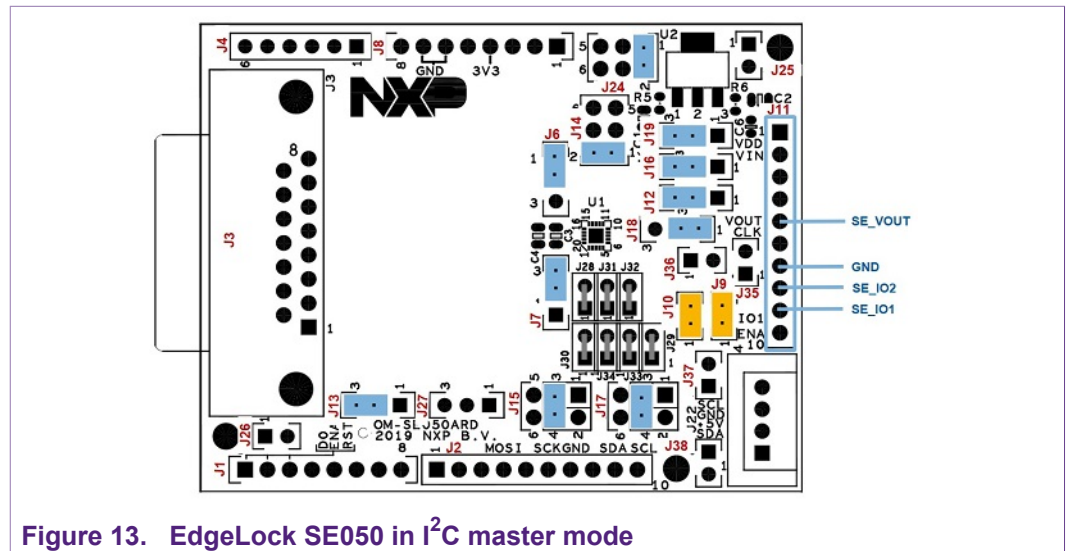


Figure 13. EdgeLock SE050 in I²C master mode

[Table 9](#) details the jumper settings for the configuration of the EdgeLock SE050 I²C master interface.

Table 9. Jumper settings for EdgeLock SE050 in I²C master mode

Jumper	Configuration	Comment
J6	Set to 1-2 (Default)	Contactless operation disabled

Jumper	Configuration	Comment
J7	Set to 2-3 (Default)	Contactless operation disabled
J9, J10	Set to "Closed"	Set to "Closed" to enable pull-up resistors for I ² C master signals SE_IO1 and SE_IO2 (if IOT sensor board not already provides pull-up resistors).
J12	Set to 2-3 (Default)	SE_RST routed to ARD_RST on J1:3
J13	Set to 2-3 (Default)	SE_ENA set to ARD_ENA on J1:6
J14	Set to 1-2 (Default)	Routed to V _{DD} supply voltage (Default)
J15	Set to 3-4 (Default)	I ² C_SDA routed to ARD_SDA_R3 (J2:9)
J16	Set to 2-3 (Default)	V _{DD} as SE_V _{IN}
J17	Set to 3-4 (Default)	I ² C_SCL routed to ARD_SCL_R3 (J2:10)
J18	Set 1-2 (Default)	SE_IO2 to pin 9 of header J11
J19	Set to 2-3 (Default)	V _{DD} =3.3V supply voltage from Arduino-R3 voltages
J24	Set to 1-2 (Default)	No input LDO
J25, J26	Do not care	Dummy jumpers
J37, J38	Set to "Open" (Default)	3k3 pull-up resistor for I ² C standard mode

4.4 EdgeLock SE050 via ISO14443 mode

This section details the jumper settings to operate the OM-SE050ARD via the ISO/IEC14443 interface.

Note: Only the I²C slave interface is mandatory. The I²C master and ISO/IEC 14443 interfaces are optional.

4.4.1 ISO/IECC 14443-A via onboarded antenna

Figure 14 shows the jumper settings to configure the contactless interface via the onboarded antenna in the OM-SE050ARD board.

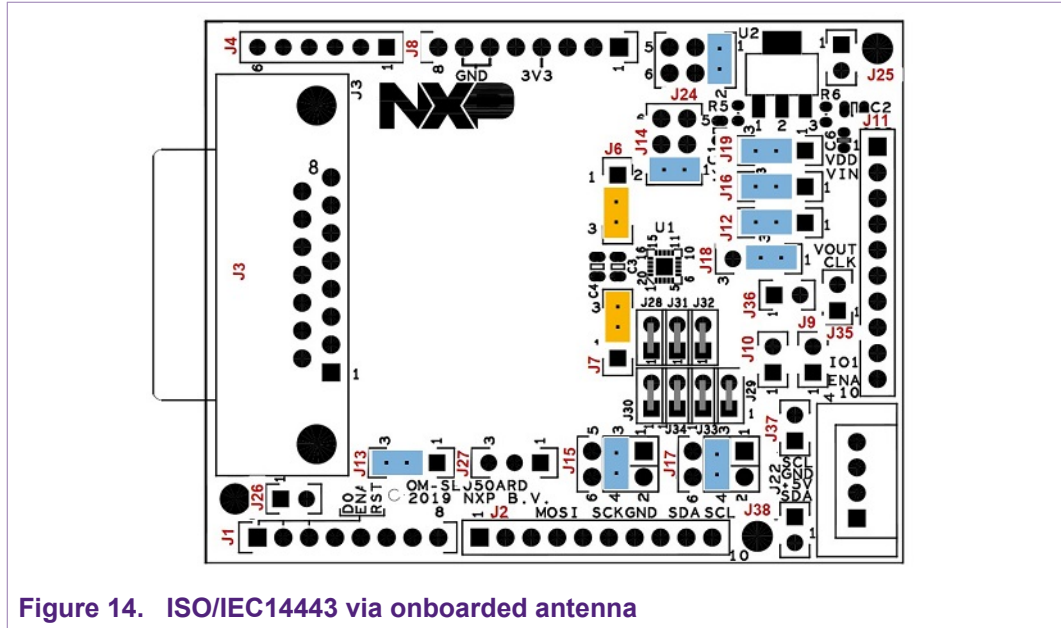


Figure 14. ISO/IEC14443 via onboarded antenna

Table 10 details the jumper settings for this configuration (ISO/IEC14443 via onboarded antenna).

Table 10. ISO/IEC14443 via onboarded antenna

Jumper	Configuration	Comment
J6	Set to 2-3	Contactless operation enabled with onboarded antenna
J7	Set to 2-3 (Default)	Contactless operation enabled with onboarded antenna
J9, J10	Set to open (Default)	I ² C master pull ups disabled
J12	Set to 2-3 (Default)	SE_RST routed to ARD_RST on J1:3
J13	Set to 2-3 (Default)	SE_ENA set to ARD_ENA on J1:6
J14	Set to 1-2 (Default)	SE_VDD as SE_VDD
J15	Set to 3-4 (Default)	I2C_SDA routed to ARD_SDA_R3 (J2:9)
J16	Set to 2-3 (Default)	VDD as SE_VIN
J17	Set to 3-4 (Default)	I2C_SCL routed to ARD_SCL_R3 (J2:10)
J18	Set to 1-2 (Default)	SE_IO2 to pin 9 of header J11
J19	Set to 2-3 (Default)	V _{DD} =3.3V supply voltage from Arduino-R3 voltages
J24	Set to 1-2 (Default)	5V_PC from external MCU board to LDO

Jumper	Configuration	Comment
J25, J26	Do not care	Dummy jumpers
J37, J38	Set to "Open" (Default)	3k3 pull-up resistor for I ² C standard mode
J9, J10	Set to open (Default)	I ² C master pull ups disabled

4.4.2 ISO/IECC 14443-A via external antenna

Figure 15 shows the jumper settings to configure the contactless interface via an IN-CLA7816 probe connected through DB15 connector.

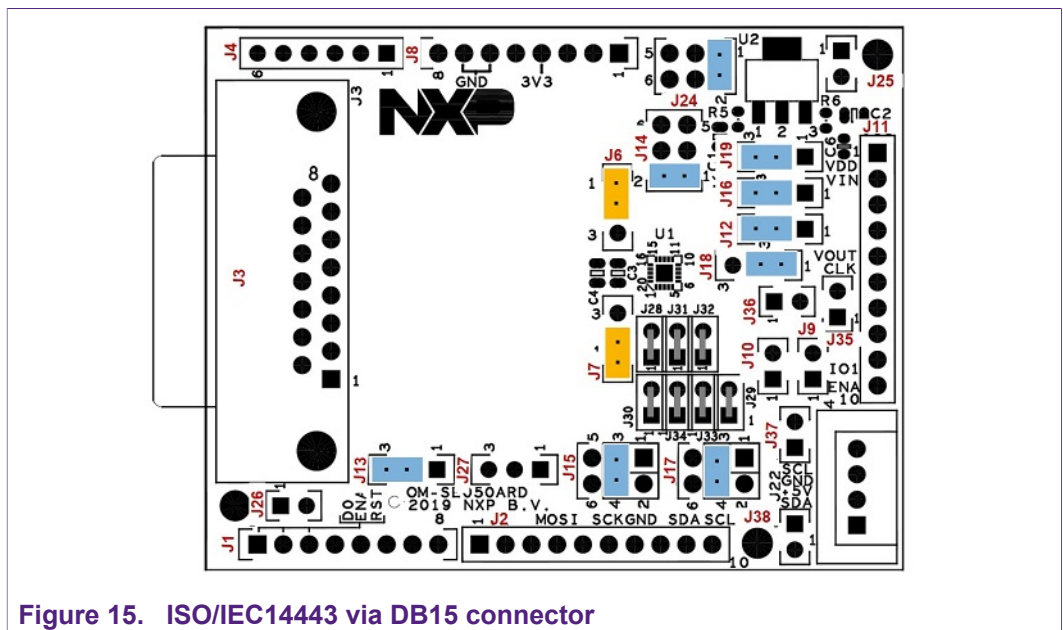


Figure 15. ISO/IEC14443 via DB15 connector

Table 11 details the jumper settings for this configuration (ISO/IECC 14443-A via external antenna).

Table 11. ISO/IEC14443 via DB15 connector

Jumper	Configuration	Comment
J6	Set to 1-2 (Default)	Contactless operation enabled with external ID1 antenna through DB15 connector
J7	Set to 1-2	Contactless operation enabled with external ID1 antenna through DB15 connector
J9, J10	Set to open (Default)	I ² C master pull ups disabled
J12	Set to 2-3 (Default)	SE_RST routed to ARD_RST on J1:3
J13	Set to 2-3 (Default)	SE_ENA set to ARD_ENA on J1:6
J14	Set to 1-2 (Default)	SE_VDD as SE_VDD

Jumper	Configuration	Comment
J15	Set to 3-4 (Default)	I2C_SDA routed to ARD_SDA_R3 (J2:9)
J16	Set to 2-3 (Default)	VDD as SE_VIN
J17	Set to 3-4 (Default)	I2C_SCL routed to ARD_SCL_R3 (J2:10)
J18	Set to 1-2 (Default)	SE_IO2 to pin 9 of header J11
J19	Set to 2-3 (Default)	V _{DD} =3.3V supply voltage from Arduino-R3 voltages
J24	Set to 1-2 (Default)	5V_PC from external MCU board to LDO
J25, J26	Do not care	Dummy jumpers
J37, J38	Set to "Open" (Default)	3k3 pull-up resistor for I ² C standard mode
J9, J10	Set to open (Default)	I ² C master pull ups disabled

4.4.3 ISO/IEC 14443 via DB15 connector

Figure 16 shows an external contactless interface connected to an IN-CLA7816 probe through DB15 connector.

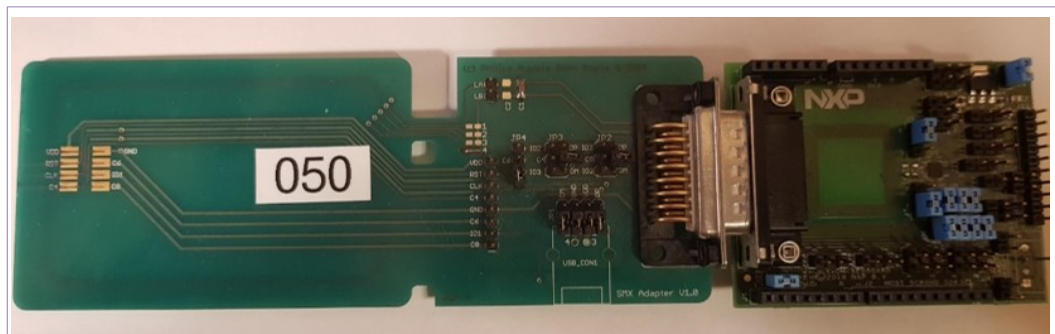


Figure 16. External contactless interface connected to an IN-CLA7816 probe through DB15 connector

5 Legal information

5.1 Definitions

Draft — The document is a draft version only. The content is still under internal review and subject to formal approval, which may result in modifications or additions. NXP Semiconductors does not give any representations or warranties as to the accuracy or completeness of information included herein and shall have no liability for the consequences of use of such information.

5.2 Disclaimers

Limited warranty and liability — Information in this document is believed to be accurate and reliable. However, NXP Semiconductors does not give any representations or warranties, expressed or implied, as to the accuracy or completeness of such information and shall have no liability for the consequences of use of such information. NXP Semiconductors takes no responsibility for the content in this document if provided by an information source outside of NXP Semiconductors. In no event shall NXP Semiconductors be liable for any indirect, incidental, punitive, special or consequential damages (including - without limitation - lost profits, lost savings, business interruption, costs related to the removal or replacement of any products or rework charges) whether or not such damages are based on tort (including negligence), warranty, breach of contract or any other legal theory. Notwithstanding any damages that customer might incur for any reason whatsoever, NXP Semiconductors' aggregate and cumulative liability towards customer for the products described herein shall be limited in accordance with the Terms and conditions of commercial sale of NXP Semiconductors.

Right to make changes — NXP Semiconductors reserves the right to make changes to information published in this document, including without limitation specifications and product descriptions, at any time and without notice. This document supersedes and replaces all information supplied prior to the publication hereof.

Suitability for use — NXP Semiconductors products are not designed, authorized or warranted to be suitable for use in life support, life-critical or safety-critical systems or equipment, nor in applications where failure or malfunction of an NXP Semiconductors product can reasonably be expected to result in personal injury, death or severe property or environmental damage. NXP Semiconductors and its suppliers accept no liability for inclusion and/or use of NXP Semiconductors products in such equipment or applications and therefore such inclusion and/or use is at the customer's own risk.

Applications — Applications that are described herein for any of these products are for illustrative purposes only. NXP Semiconductors makes no representation or warranty that such applications will be suitable for the specified use without further testing or modification. Customers are responsible for the design and operation of their applications and products using NXP Semiconductors products, and NXP Semiconductors accepts no liability for any assistance with applications or customer product design. It is customer's sole responsibility to determine whether the NXP Semiconductors product is suitable and fit for the customer's applications and products planned, as well as for the planned application and use of

customer's third party customer(s). Customers should provide appropriate design and operating safeguards to minimize the risks associated with their applications and products. NXP Semiconductors does not accept any liability related to any default, damage, costs or problem which is based on any weakness or default in the customer's applications or products, or the application or use by customer's third party customer(s). Customer is responsible for doing all necessary testing for the customer's applications and products using NXP Semiconductors products in order to avoid a default of the applications and the products or of the application or use by customer's third party customer(s). NXP does not accept any liability in this respect.

Export control — This document as well as the item(s) described herein may be subject to export control regulations. Export might require a prior authorization from competent authorities.

Evaluation products — This product is provided on an "as is" and "with all faults" basis for evaluation purposes only. NXP Semiconductors, its affiliates and their suppliers expressly disclaim all warranties, whether express, implied or statutory, including but not limited to the implied warranties of non-infringement, merchantability and fitness for a particular purpose. The entire risk as to the quality, or arising out of the use or performance, of this product remains with customer. In no event shall NXP Semiconductors, its affiliates or their suppliers be liable to customer for any special, indirect, consequential, punitive or incidental damages (including without limitation damages for loss of business, business interruption, loss of use, loss of data or information, and the like) arising out of the use of or inability to use the product, whether or not based on tort (including negligence), strict liability, breach of contract, breach of warranty or any other theory, even if advised of the possibility of such damages. Notwithstanding any damages that customer might incur for any reason whatsoever (including without limitation, all damages referenced above and all direct or general damages), the entire liability of NXP Semiconductors, its affiliates and their suppliers and customer's exclusive remedy for all of the foregoing shall be limited to actual damages incurred by customer based on reasonable reliance up to the greater of the amount actually paid by customer for the product or five dollars (US\$5.00). The foregoing limitations, exclusions and disclaimers shall apply to the maximum extent permitted by applicable law, even if any remedy fails of its essential purpose.

Translations — A non-English (translated) version of a document is for reference only. The English version shall prevail in case of any discrepancy between the translated and English versions.

Security — While NXP Semiconductors has implemented advanced security features, all products may be subject to unidentified vulnerabilities. Customers are responsible for the design and operation of their applications and products to reduce the effect of these vulnerabilities on customer's applications and products, and NXP Semiconductors accepts no liability for any vulnerability that is discovered. Customers should implement appropriate design and operating safeguards to minimize the risks associated with their applications and products.

5.3 Trademarks

Notice: All referenced brands, product names, service names and trademarks are the property of their respective owners.

Tables

Tab. 1.	OM-SE050ARD development kit details	3	Tab. 7.	Jumper settings for I2C slave interface configuration	12
Tab. 2.	Jumpers for I2C configuration	5	Tab. 8.	OM-SE050ARD external I2C connector	14
Tab. 3.	Jumpers for power supply settings configuration	6	Tab. 9.	Jumper settings for EdgeLock SE050 in I2C master mode	15
Tab. 4.	Jumpers for deep power-down mode configuration	8	Tab. 10.	ISO/IEC14443 via onboard antenna	17
Tab. 5.	Jumpers for reset pin routing configuration	9	Tab. 11.	ISO/IEC14443 via DB15 connector	18
Tab. 6.	Jumpers for ISO/IEC14443 contactless interface settings	10			

Figures

Fig. 1.	EdgeLock SE050 interface overview3	Fig. 9.	OM-SE050ARD jumper J6 and J7 location 11
Fig. 2.	OM-SE050ARD headers and connectors overview 4	Fig. 10.	I2C standard mode and 3.3V Arduino power supply 13
Fig. 3.	OM-SE050ARD jumpers for I2C settings configuration6	Fig. 11.	OM-SE050ARD external I2C connector 14
Fig. 4.	OM-SE050ARD power supply settings7	Fig. 12.	EdgeLock SE050 smart sensor use case block diagram 15
Fig. 5.	OM-SE050ARD jumpers for power settings configuration7	Fig. 13.	EdgeLock SE050 in I2C master mode 15
Fig. 6.	Deep power-down mode diagram 8	Fig. 14.	ISO/IEC14443 via onboard antenna17
Fig. 7.	OM-SE050ARD jumper J13 and J14 location 9	Fig. 15.	ISO/IEC14443 via DB15 connector 18
Fig. 8.	OM-SE050ARD Jumper J12 location 10	Fig. 16.	External contactless interface connected to an IN-CLA7816 probe through DB15 connector 19

Contents

1	Overview	3
2	Headers and connectors	4
3	Jumpers overview	5
3.1	I2C configuration	5
3.2	Power supply options	6
3.3	Deep power-down mode	7
3.4	Reset pin routing	9
3.5	ISO/IEC14443 contactless interface	10
4	OM-SE050ARD board use cases	12
4.1	EdgeLock SE050 via Arduino header	12
4.2	EdgeLock SE050 via external I2C connector ...	13
4.3	EdgeLock SE050 in I2C master mode	15
4.4	EdgeLock SE050 via ISO14443 mode	16
4.4.1	ISO/IECC 144443-A via onboarded antenna ...	16
4.4.2	ISO/IECC 144443-A via external antenna	18
4.4.3	ISO/IEC 14443 via DB15 connector	19
5	Legal information	20

Please be aware that important notices concerning this document and the product(s) described herein, have been included in section 'Legal information'.

© NXP B.V. 2020.

All rights reserved.

For more information, please visit: <http://www.nxp.com>

For sales office addresses, please send an email to: salesaddresses@nxp.com

Date of release: 14 May 2020

Document identifier: AN12395

Document number: 534312

Данный компонент на территории Российской Федерации

Вы можете приобрести в компании MosChip.

Для оперативного оформления запроса Вам необходимо перейти по данной ссылке:

<http://moschip.ru/get-element>

Вы можете разместить у нас заказ для любого Вашего проекта, будь то серийное производство или разработка единичного прибора.

В нашем ассортименте представлены ведущие мировые производители активных и пассивных электронных компонентов.

Нашей специализацией является поставка электронной компонентной базы двойного назначения, продукции таких производителей как XILINX, Intel (ex.ALTERA), Vicor, Microchip, Texas Instruments, Analog Devices, Mini-Circuits, Amphenol, Glenair.

Сотрудничество с глобальными дистрибьюторами электронных компонентов, предоставляет возможность заказывать и получать с международных складов практически любой перечень компонентов в оптимальные для Вас сроки.

На всех этапах разработки и производства наши партнеры могут получить квалифицированную поддержку опытных инженеров.

Система менеджмента качества компании отвечает требованиям в соответствии с ГОСТ Р ИСО 9001, ГОСТ РВ 0015-002 и ЭС РД 009

Офис по работе с юридическими лицами:

105318, г.Москва, ул.Щербаковская д.3, офис 1107, 1118, ДЦ «Щербаковский»

Телефон: +7 495 668-12-70 (многоканальный)

Факс: +7 495 668-12-70 (доб.304)

E-mail: info@moschip.ru

Skype отдела продаж:

moschip.ru

moschip.ru_4

moschip.ru_6

moschip.ru_9