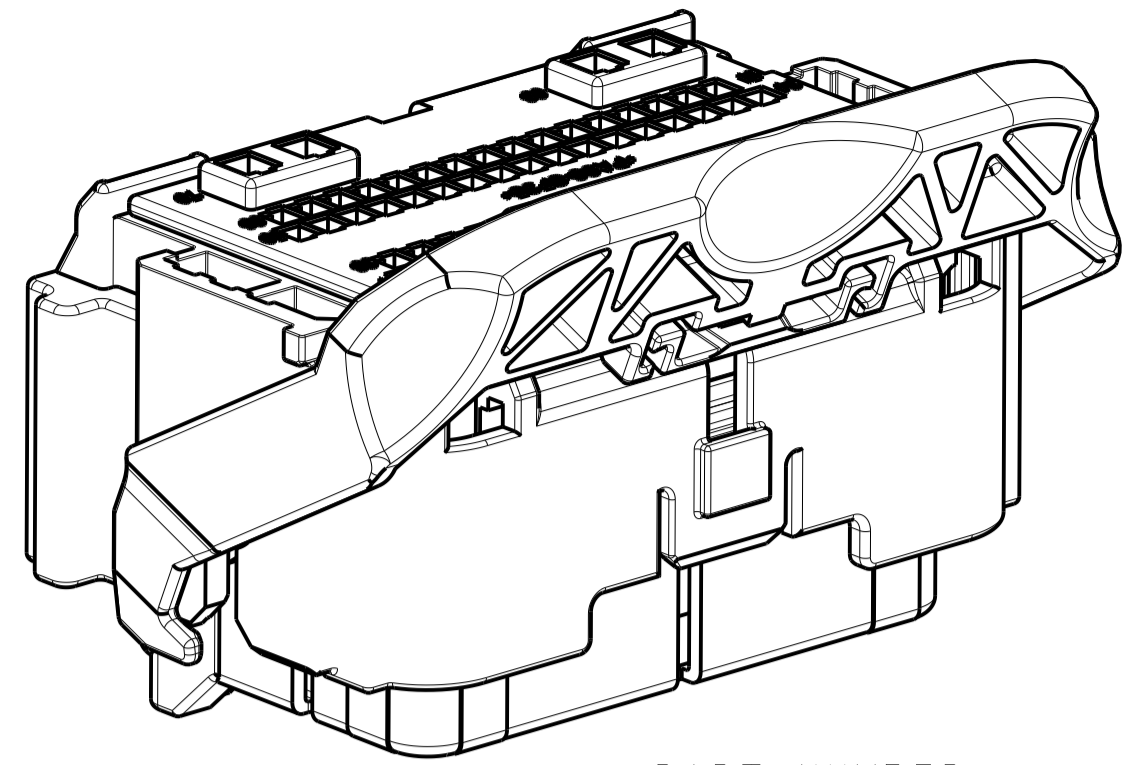
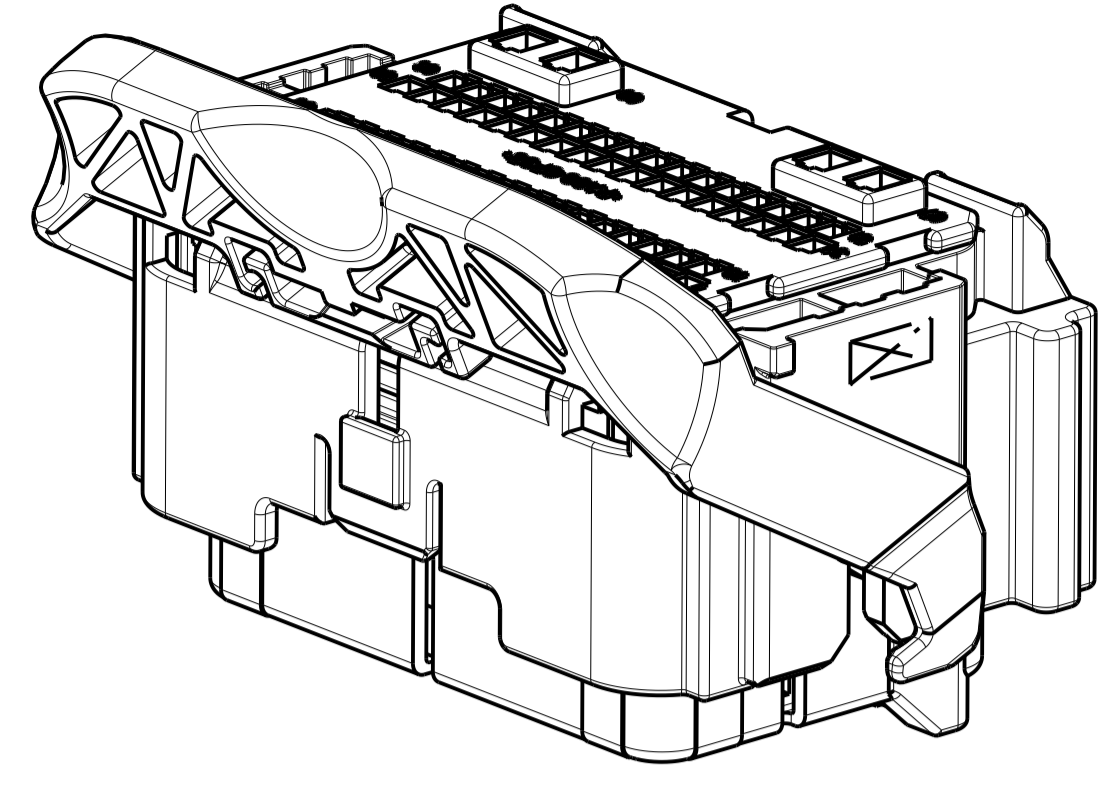
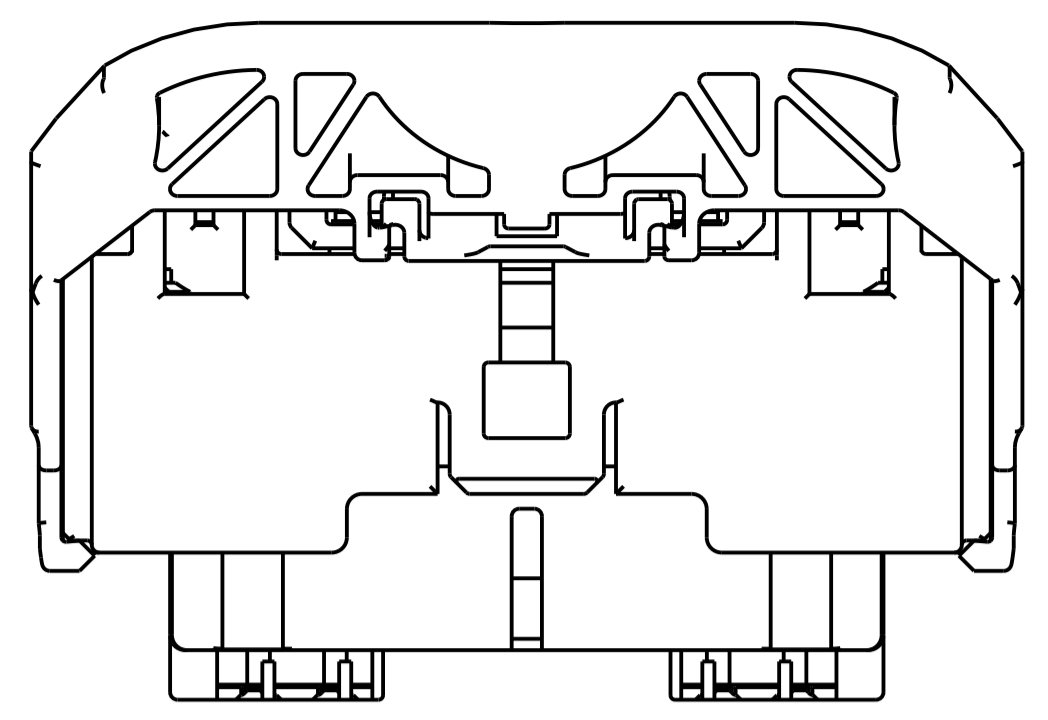


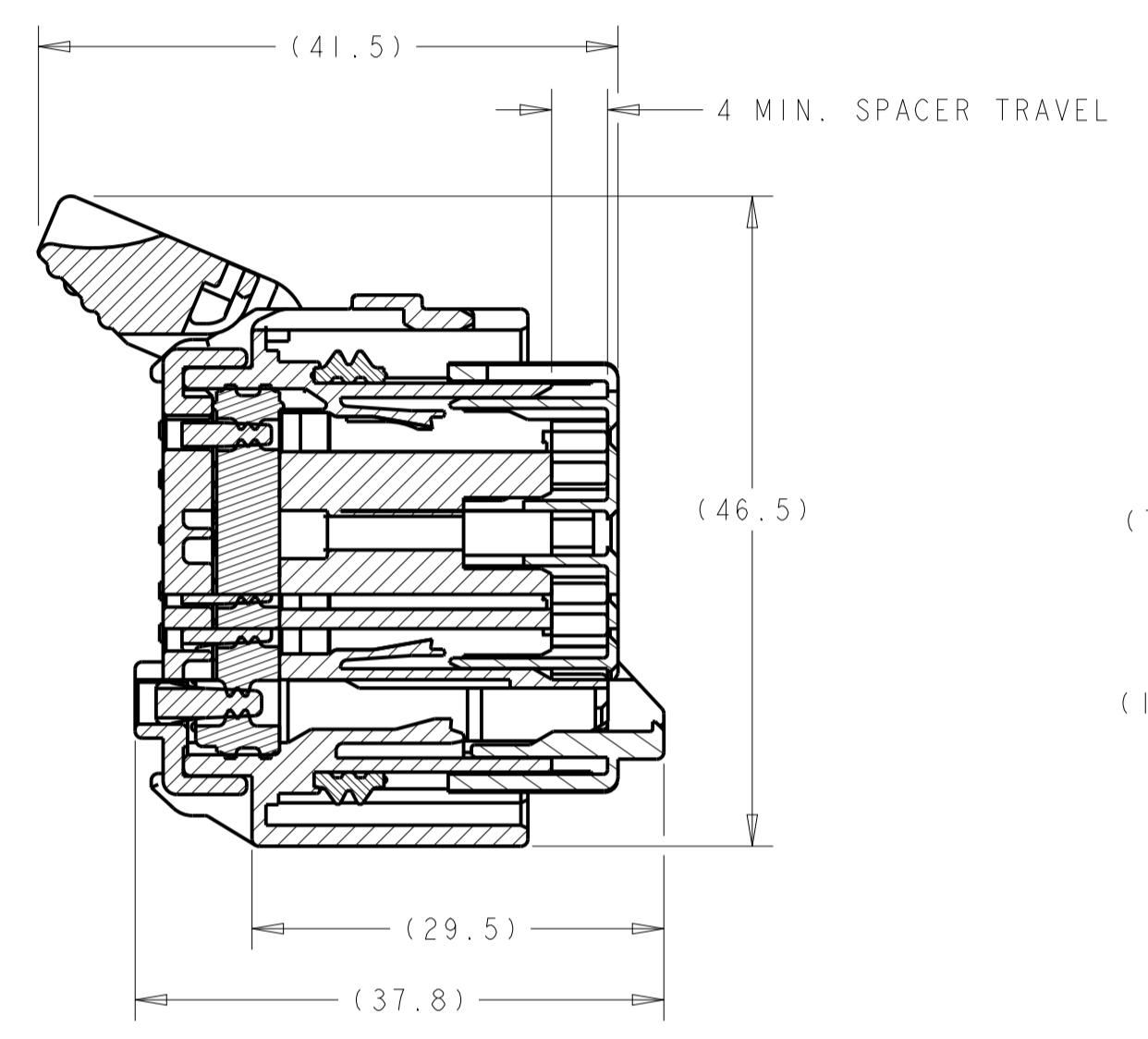
REVISIONS				
P.	LTN.	DESCRIPTION	DATE	APVD.
G45		REVISED PER ECO-13-011449	16JUL2013	DLD DCM
G46		REVISED PER ECO-14-007153	19MAY2014	DLD DCM
G47		REVISED PER ECO-14-014965	09OCT2013	DLD DCM



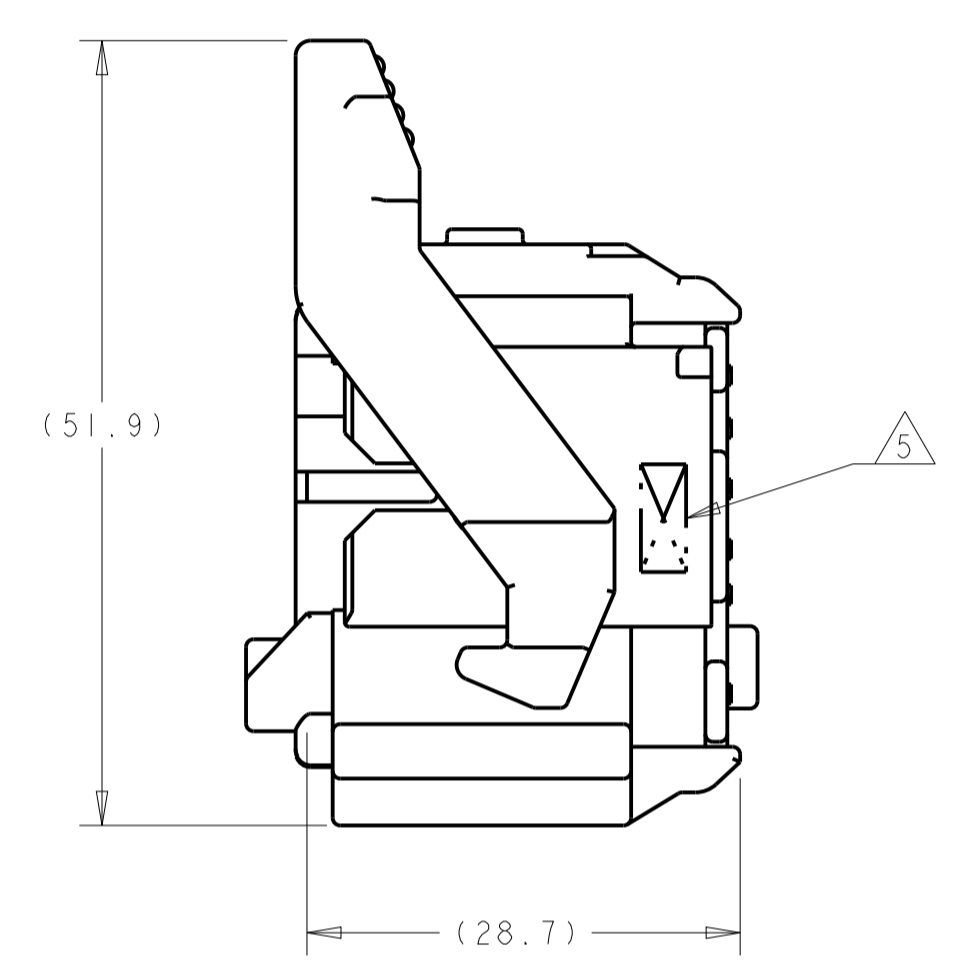
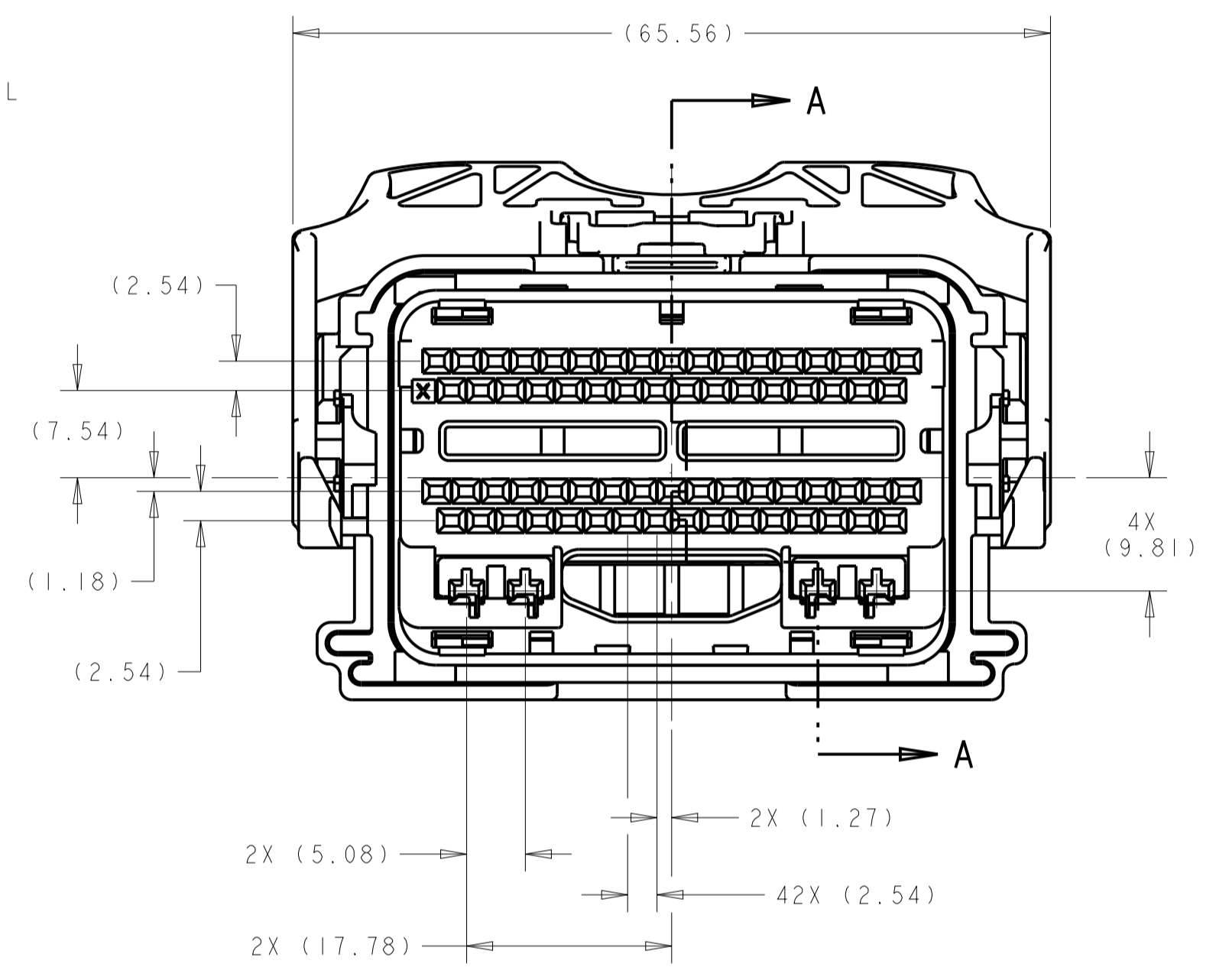
PART NUMBER:
1438136-1
SHOWN WITH SPACER
IN SEATED POSITION



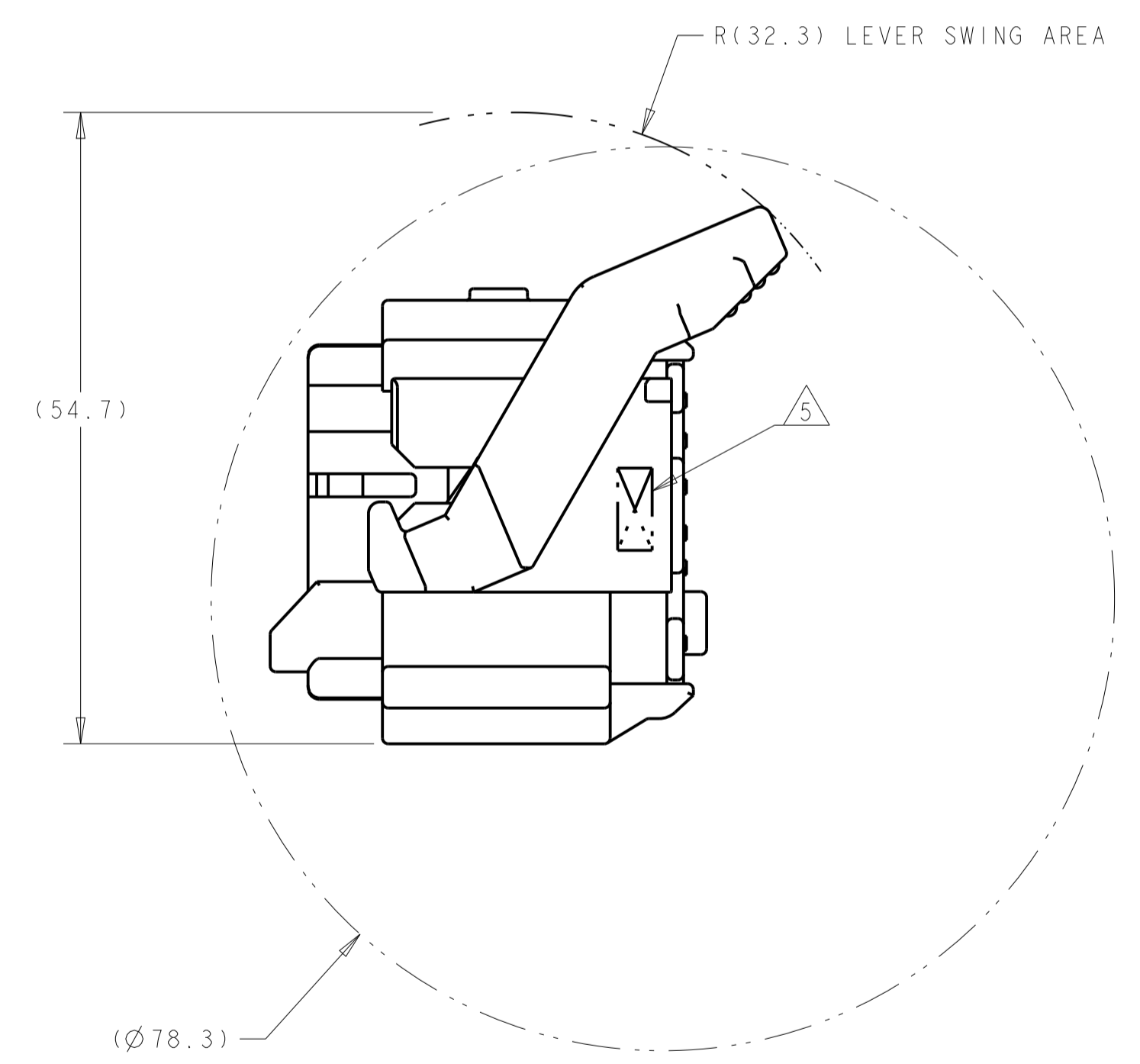
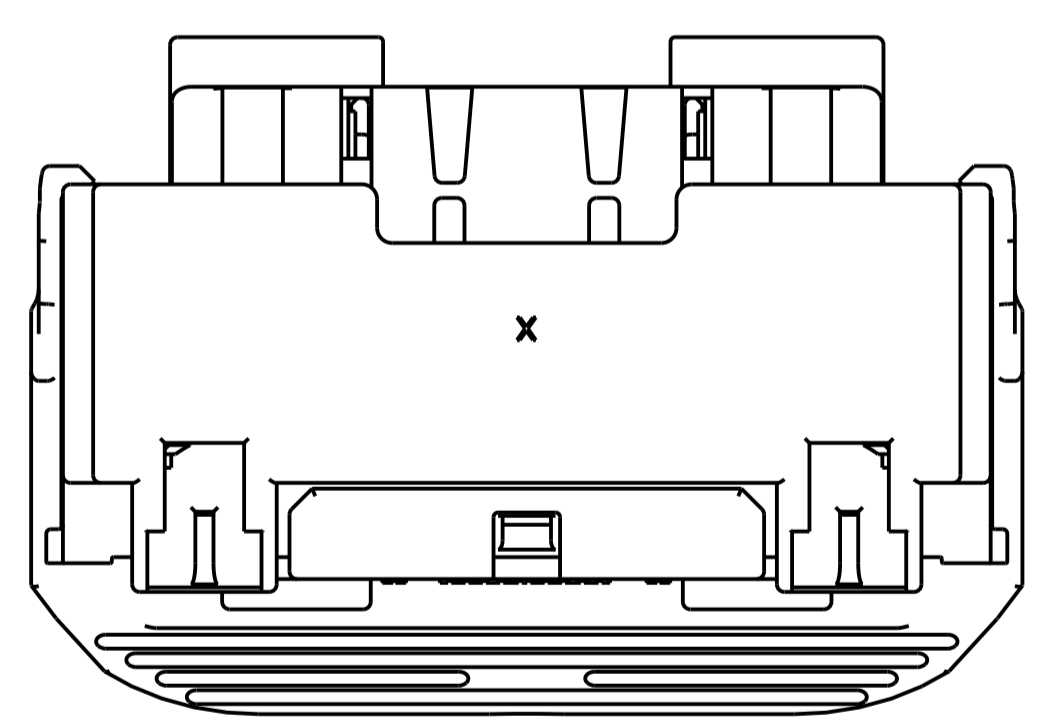
1. PRINT FORD PART NUMBER (SEE ATTACHED CHARTS) AND TRACEABILITY CODE (YY = 2 DIGIT YEAR, JJJ = JULIAN DATE, HH = 2 DIGIT MILITARY HOUR) IN THIS LOCATION AT ASSEMBLY. SEE SHEETS 3, 4 AND 5 (-*) PART NUMBERS.
 2. APPLICABLE MOLEX (1.5) POWER TERMINAL PART NUMBERS:
33012-0002 TIN 0.50-1.50mm²
 3. CAM LEVER AND SPACER ARE SHIPPED IN THEIR PRE-ASSEMBLED POSITIONS.
 4. REFERENCE TE INSTRUCTION SHEET 408-8893.
- △ COMPANY LOGO.



SECTION A-A
SPACER AND LEVER
IN PRE-SEATED POSITION
(DELIVERY POSITION)



SHOWN WITH CAM
LEVER AND SPACER
IN LOADED POSITION



MIN. FEED THRU CONDITION
WITH 1mm CLEARANCE ALL AROUND
SHOWN WITH SPACER IN SEATED POSITION

APPLICABLE COMPONENTS (FOR REFERENCE ONLY)						
DESCRIPTION	NOMINAL TERMINAL SIZE	COLOR/PLATING	FORD COMPONENT PART NUMBER	SUPPLIER PART NUMBER	MATERIAL/SPECIFICATION NUMBER	SAE WIRE SIZE
TERMINAL - FEMALE (Ag)	0.64 (CAT. 0)	SILVER	7S4T-14474-AA	1393366-2	COPPER ALLOY/SILVER PLATE	20AWG 18AWG
TERMINAL - FEMALE (Ag)	0.64 (CAT. 0)	SILVER	7S4T-14474-BA	1393367-2	COPPER ALLOY/SILVER PLATE	22AWG
TERMINAL - FEMALE (Sn)	0.64 (CAT. 0)	TIN	1L2T-14474-AA	1393366-1	COPPER ALLOY/TIN PLATE	20AWG 18AWG
TERMINAL - FEMALE (Sn)	0.64 (CAT. 0)	TIN	1L2T-14474-BA	1393367-1	COPPER ALLOY/TIN PLATE	22AWG
TERMINAL - FEMALE (Au)	0.64 (CAT. 0)	GOLD	1L2T-14474-CA	1393365-1	COPPER ALLOY/GOLD PLATE	20AWG 18AWG
TERMINAL - FEMALE (Au)	0.64 (CAT. 0)	GOLD	1L2T-14474-DA	1393364-1	COPPER ALLOY/GOLD PLATE	22AWG

SEE SHEETS 3 THRU 7
PART NUMBER

THIS DRAWING IS A CONTROLLED DOCUMENT.

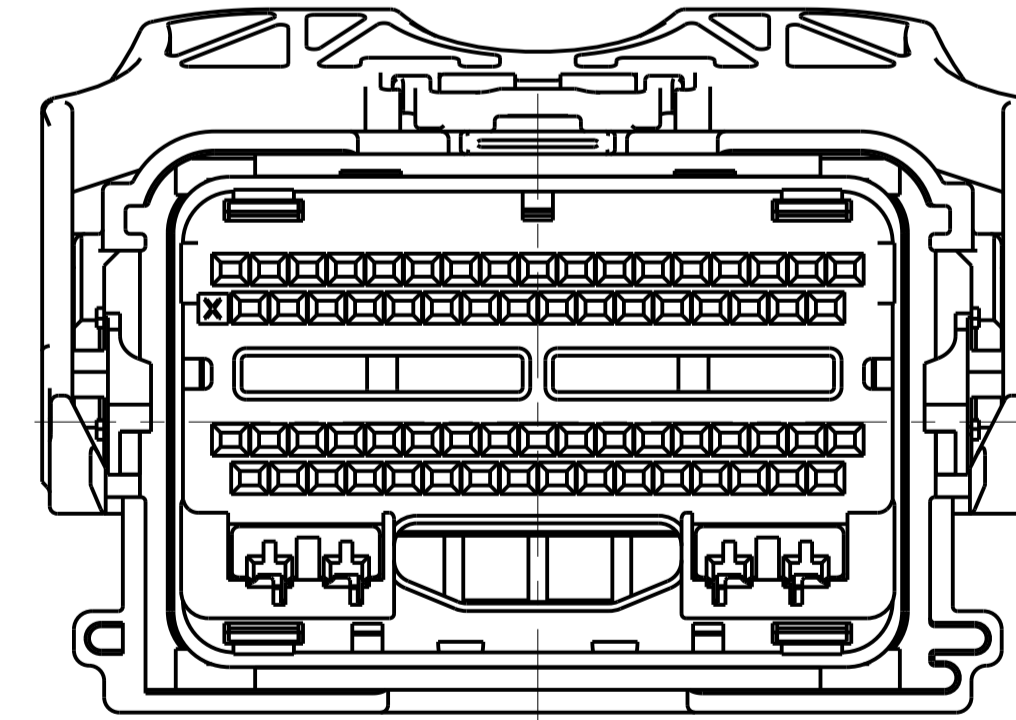
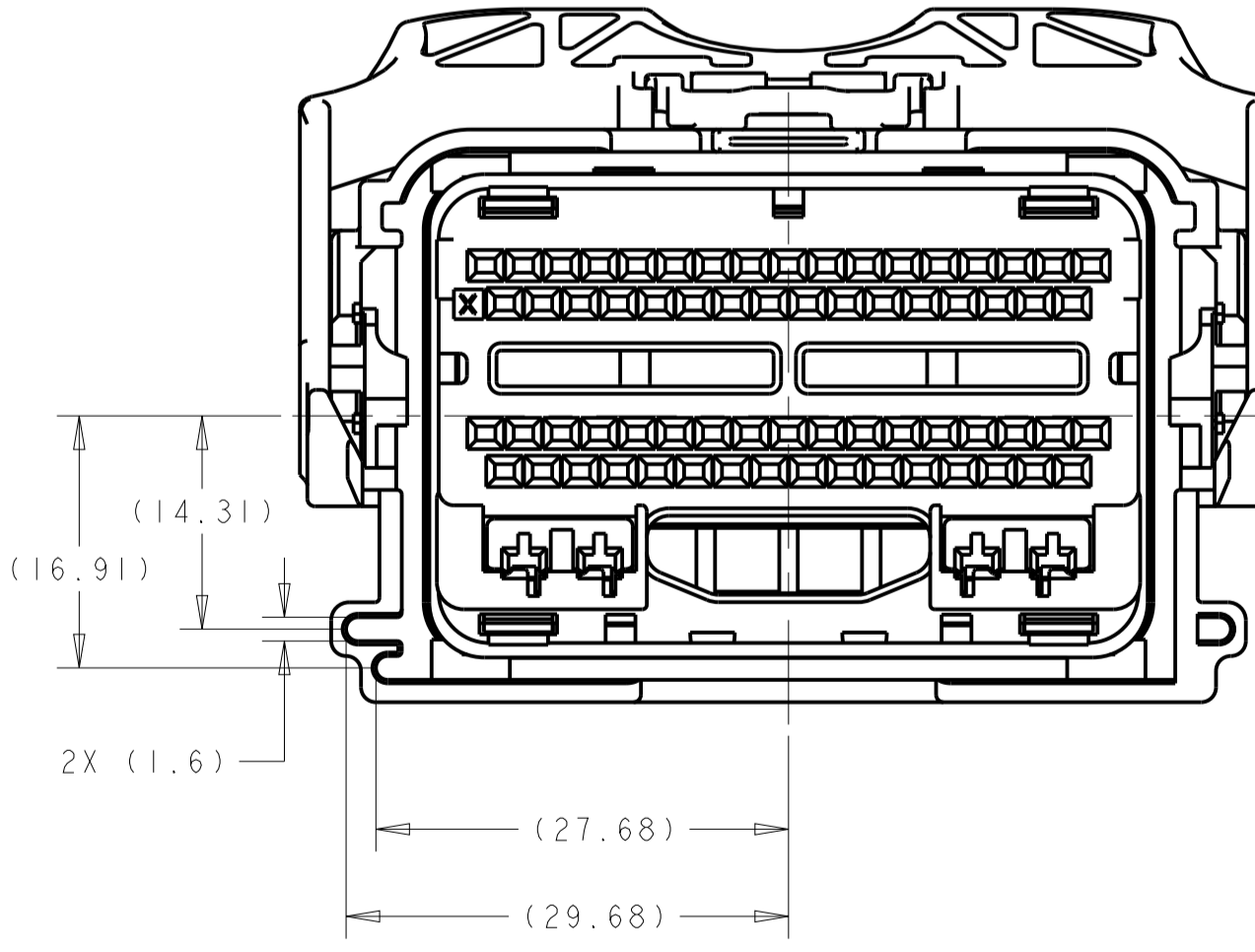
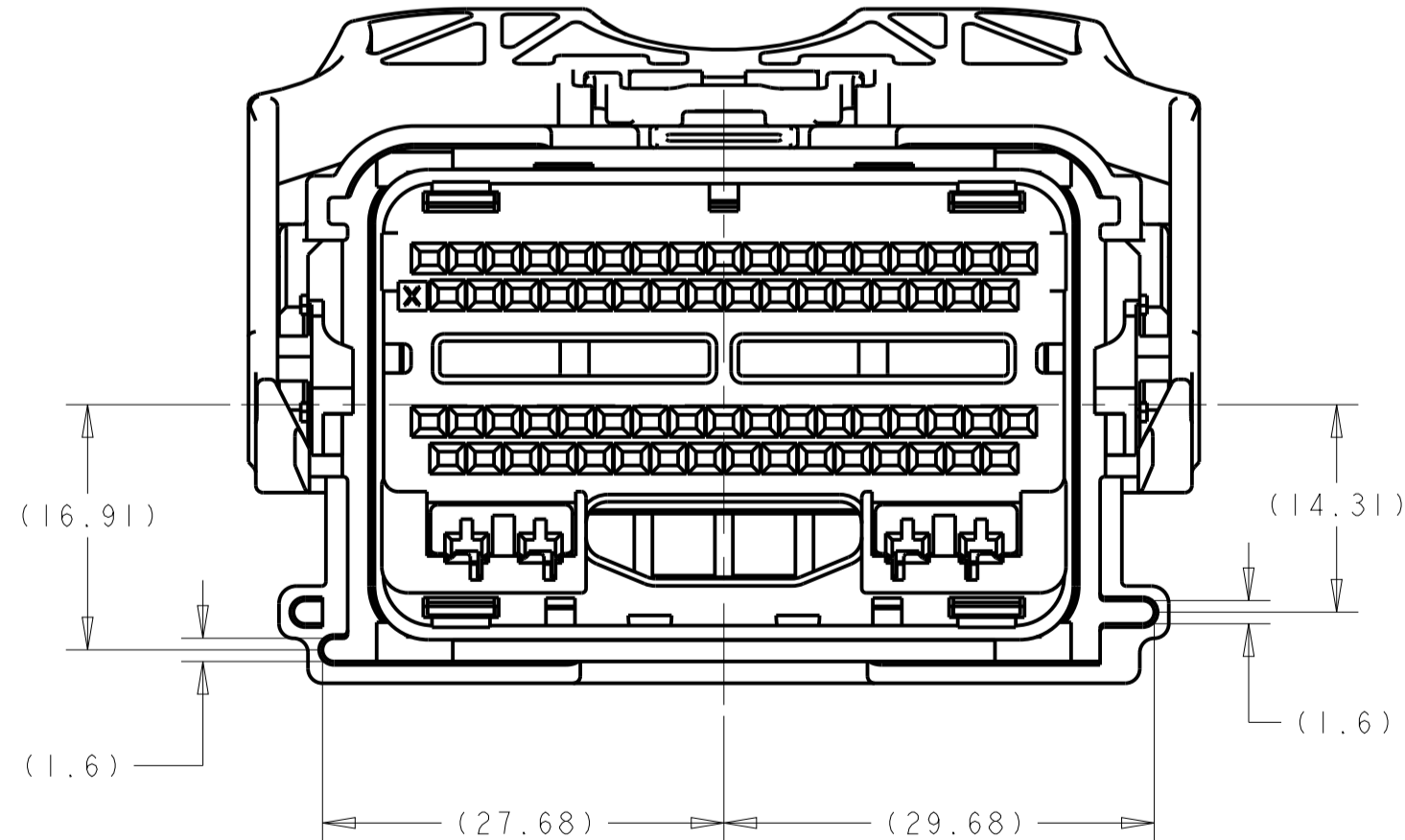
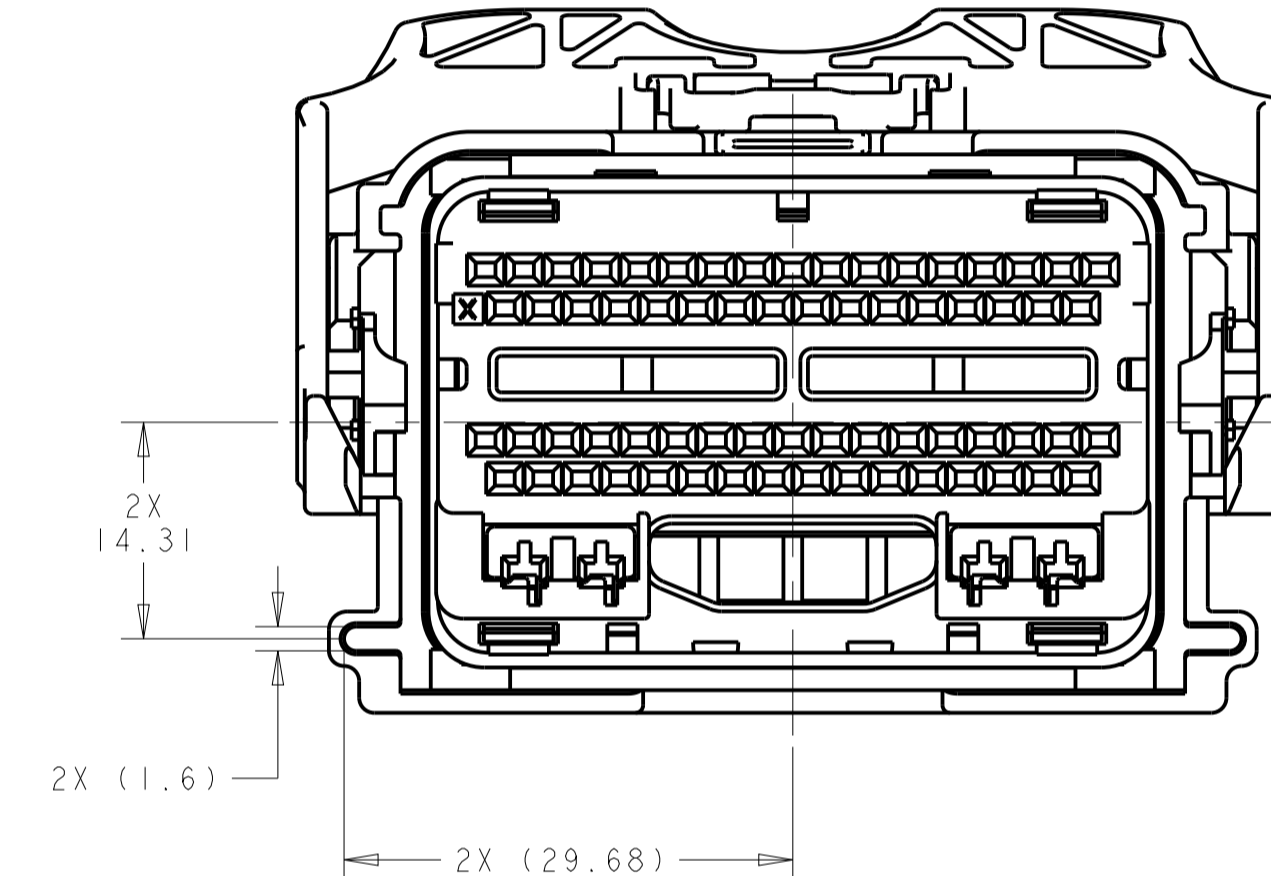
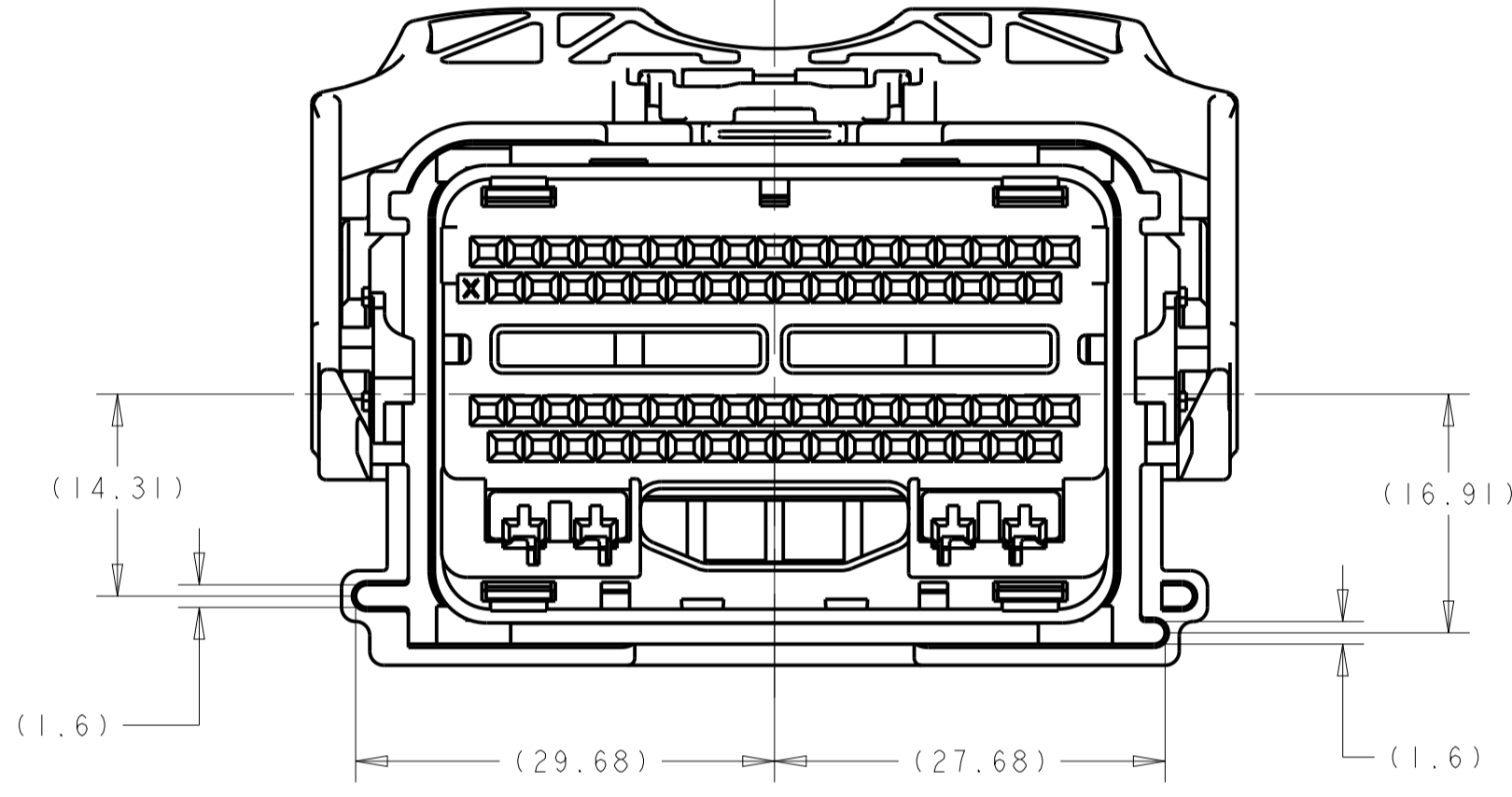
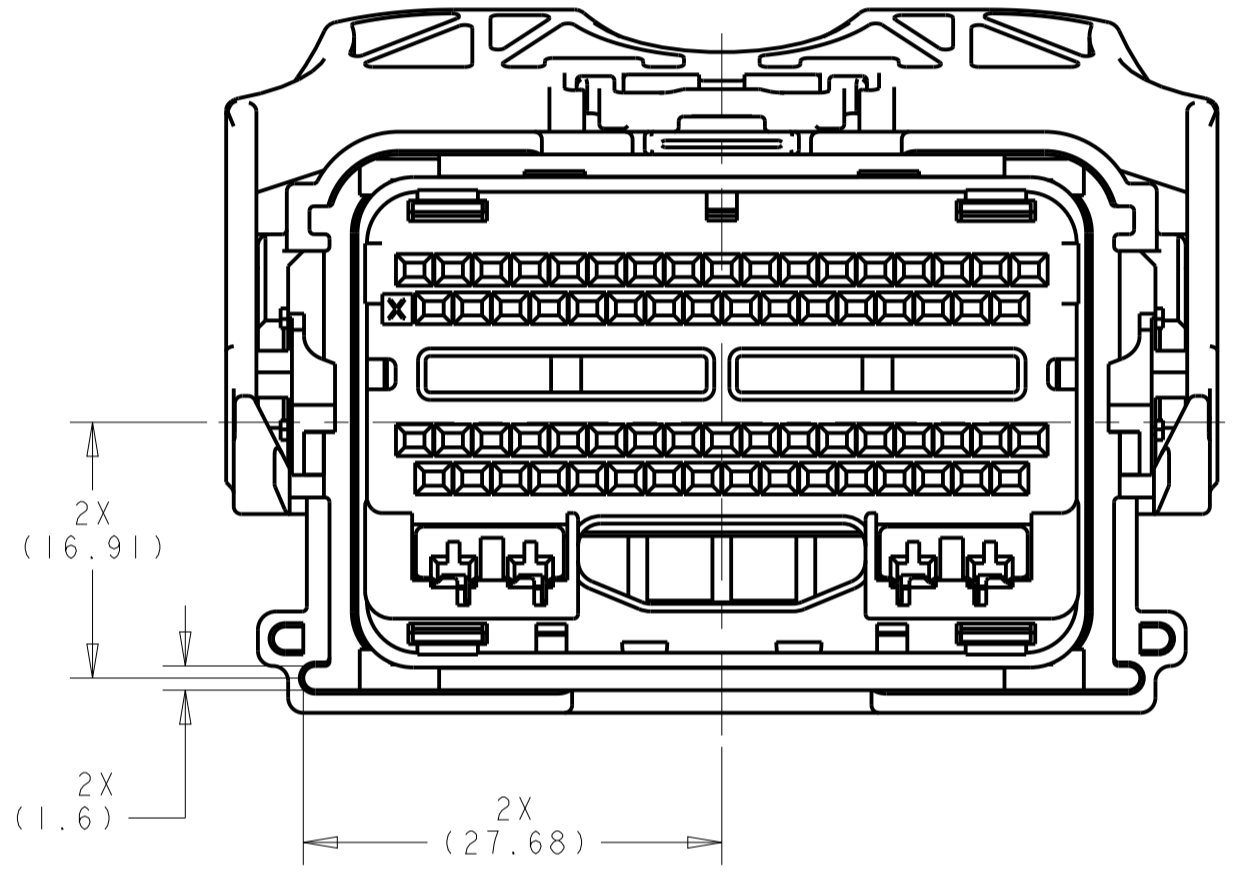
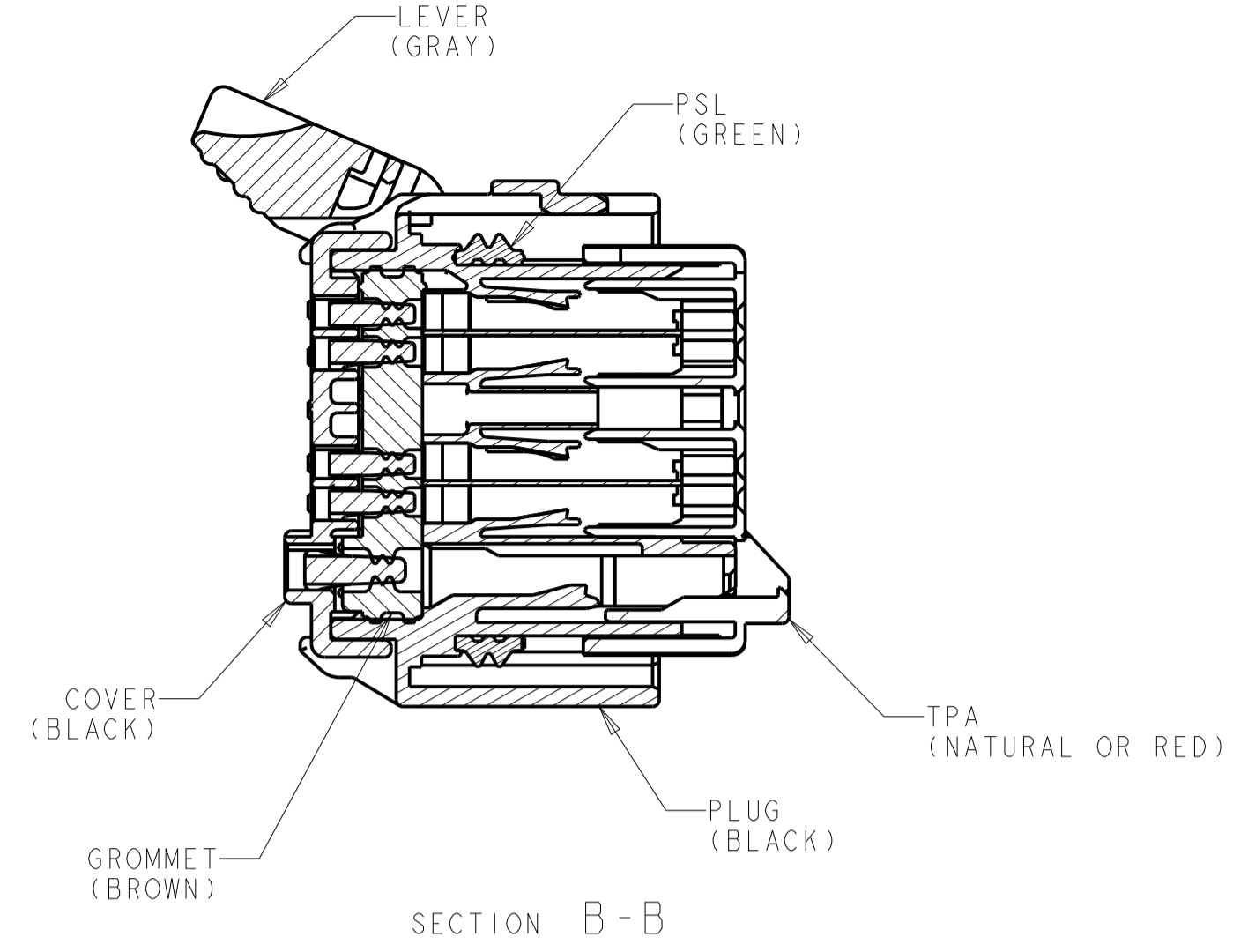
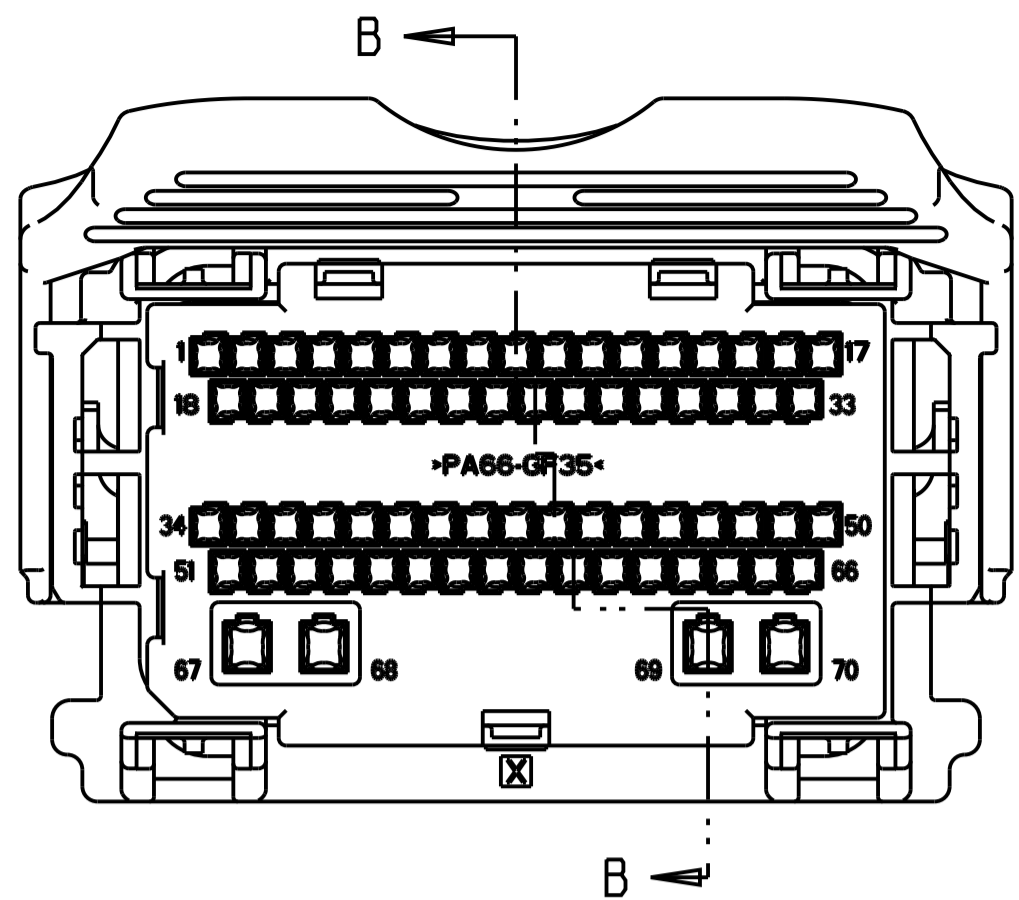
OWN: R. VESTAL 15APR2005	CHK: T. VALASEK 15APR2005	APVD: T. VALASEK 15APR2005	NAME: T. VALASEK
DIMENSIONS: mm		TOLERANCES UNLESS OTHERWISE SPECIFIED:	
0 PLC ±0.3		1 PLC ±0.10	
2 PLC ±0.10		3 PLC ±0.10	
4 PLC ±0.10		ANGLES ±1°	
MATERIAL: -	FINISH: -	WEIGHT: -	RESTRICTED TO: -
CUSTOMER DRAWING		SCALE: 2:1	SHEET 1 OF 11

STE TE Connectivity

PRODUCT SPEC: 70-WAY HARNESS ASSEMBLY

APPLICATION SPEC: -

REVISIONS				
P.	LTN	DESCRIPTION	DATE	APVD
-	-	SEE SHEET 1	-	-

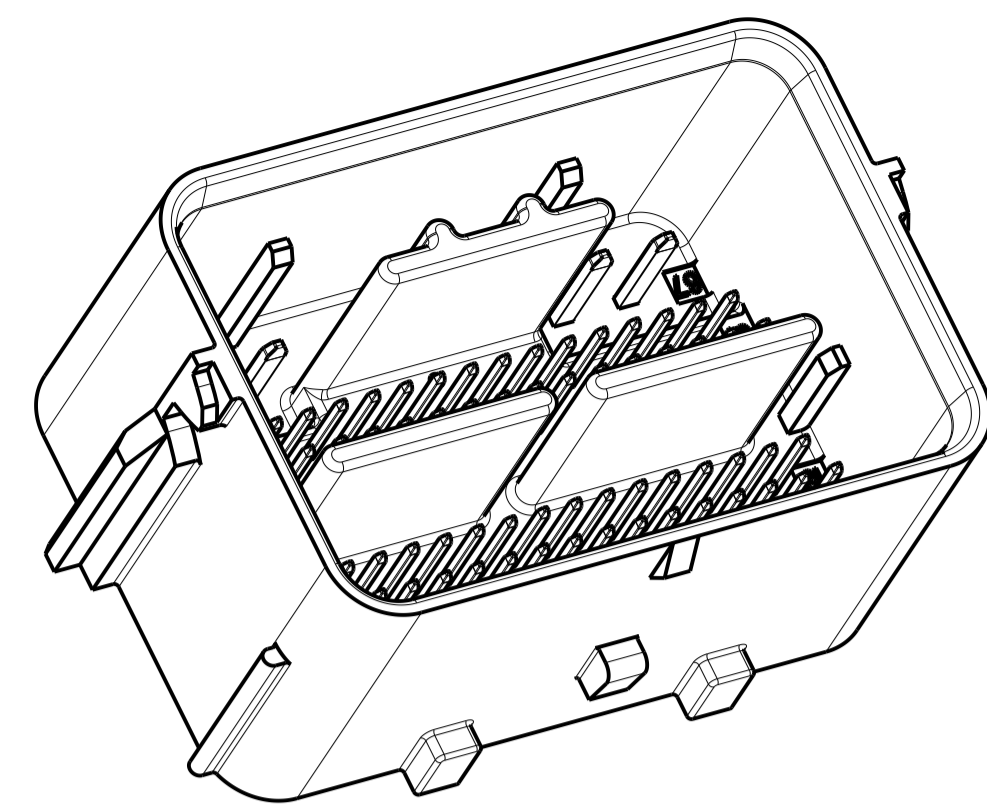


THIS DRAWING IS A CONTROLLED DOCUMENT.		OWN: R. VESTAL 15APR2005	TE Connectivity
DIMENSIONS: mm		CHK: T. VALASEK 15APR2005	
TOLERANCES UNLESS OTHERWISE SPECIFIED:		APVD: T. VALASEK 15APR2005	NAME: 70-WAY HARNESS ASSEMBLY
0 PLC ±	1 PLC ±0.3	PRODUCT SPEC	SIZE: A1
2 PLC ±0.10	3 PLC ±	APPLICATION SPEC	CAGE CODE: 1438136
4 PLC ±	ANGLES ±	WEIGHT	RESTRICTED TO
MATERIAL	FINISH	CUSTOMER DRAWING	SCALE: 2:1 SHEET 2 OF 11 REV: 647

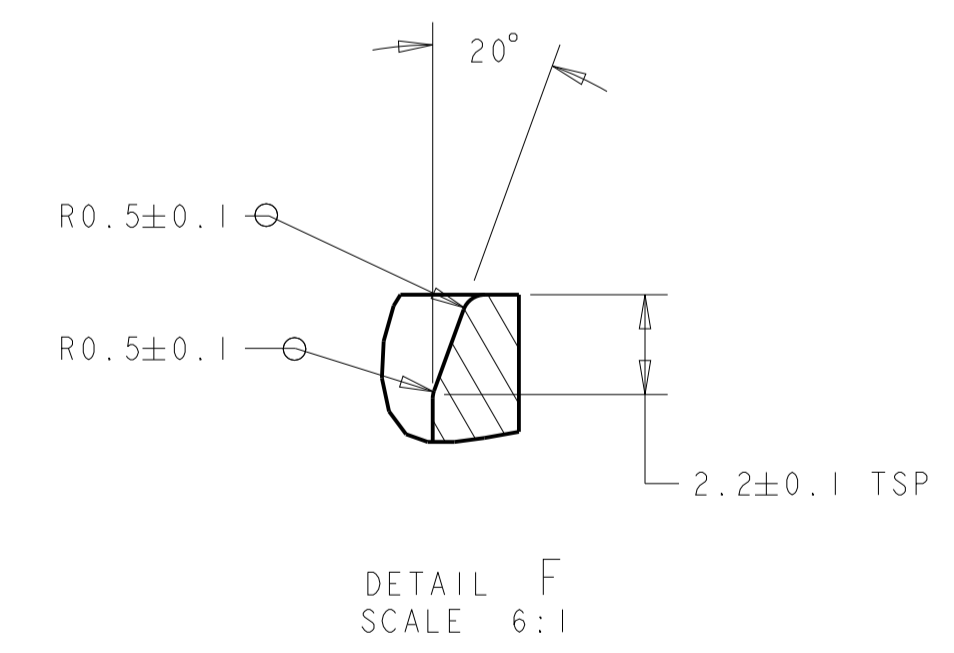
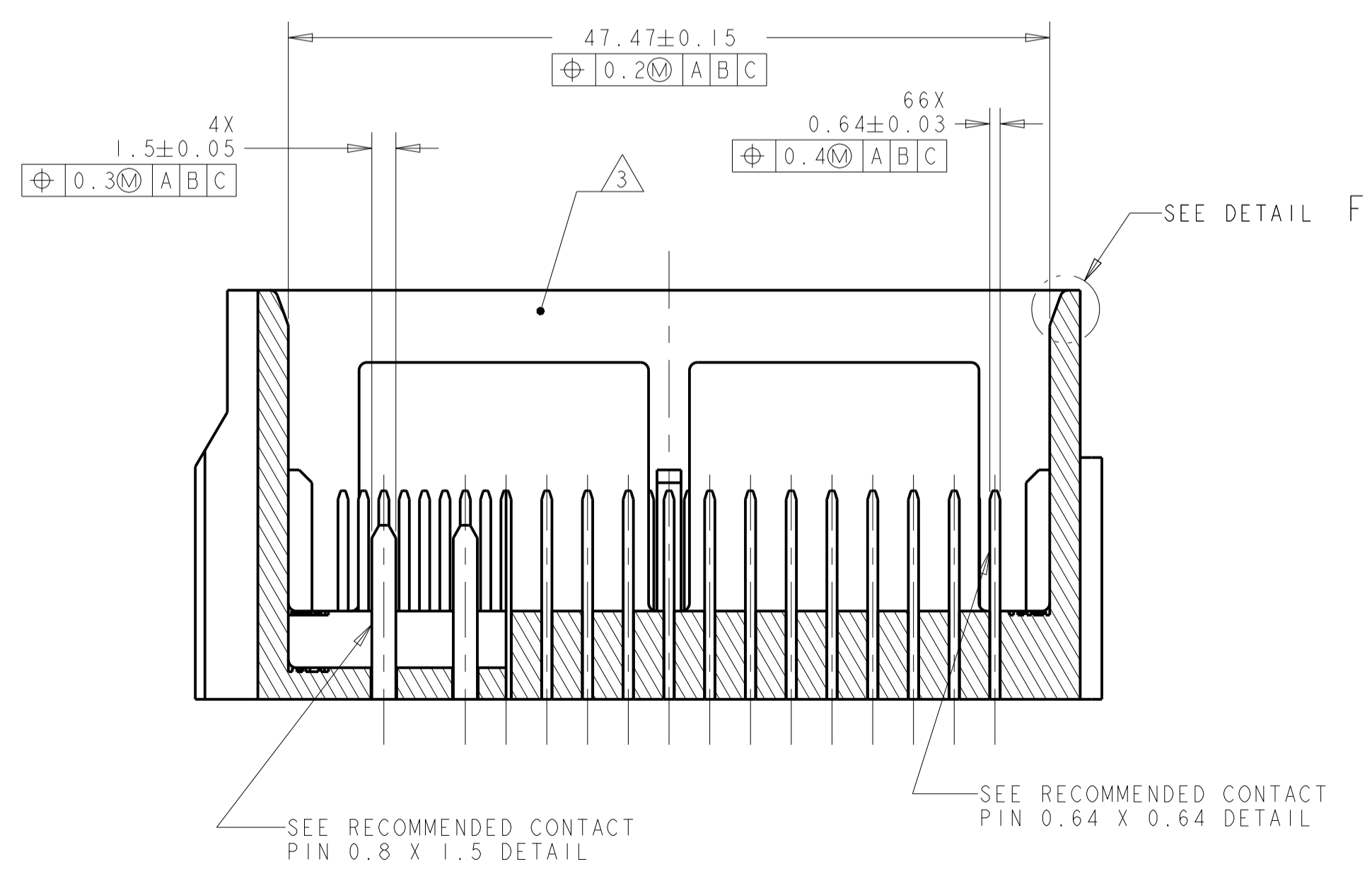
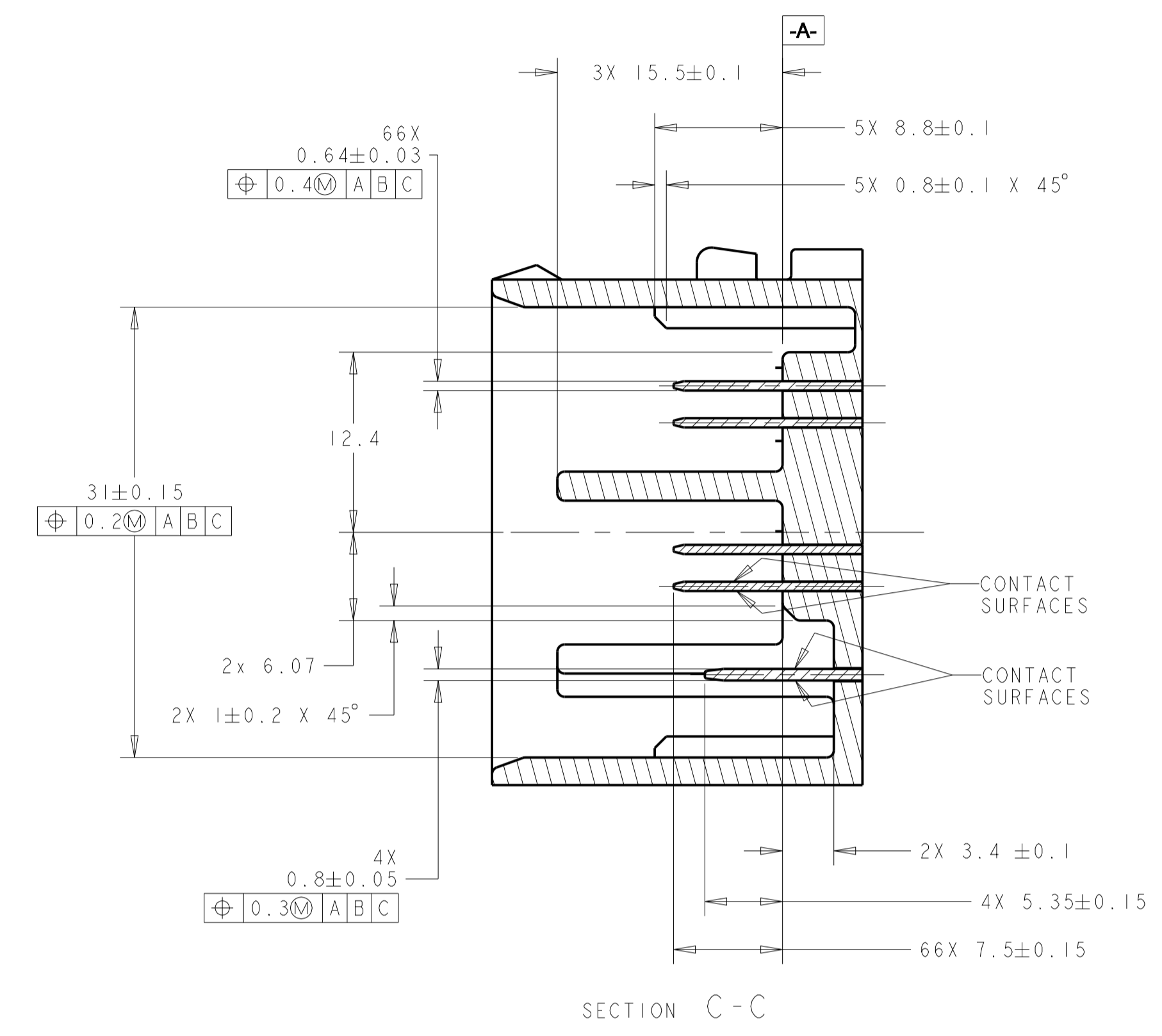
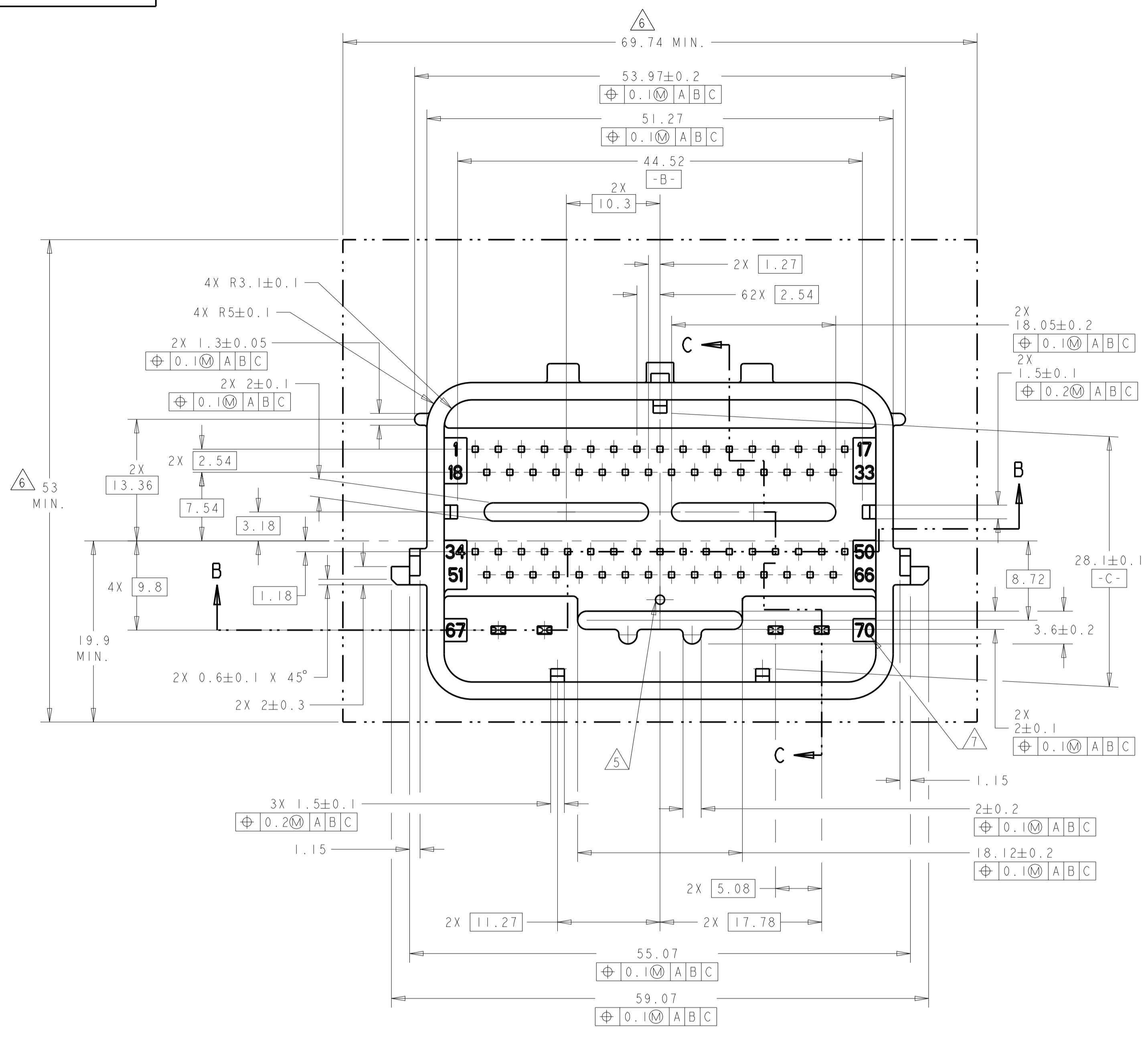
REVISIONS					
P.	LTN	DESCRIPTION	DATE	OWN	APVD
-	-	SEE SHEET 1	-	-	-

		57	55	51	49	43	36	35	33	30	27	25	24	23	22	18	17	15	11	10	9	8	6	3	2	1	3-2035383-0	8U5T-14A464-BA-056															
		56	55	54	52	51	49			39	36	35	34	33	31		27	26	25	24	23	22		18	17	15	12		9			4			1	2-2035383-9	8U5T-14A464-BA-055						
				55	54	51	49				41						36	35	34	33	30	27	26	24	23	22		18	17	15	11		9	8	6	4	3	2	1	2-2035383-7	8U5T-14A464-BA-054		
	64 63			55	54	51	49	48			41						36	35	33	30	27	26	25	24	23	22		18	17	15			9			4			2-2035383-5	8U5T-14A464-BA-053			
		57	56	55	54	51	49				39	36	35	33			27	26	25	24	23	22			17	15	12	10	9	8			5	4			1	2-2035383-4	8U5T-14A464-BA-052				
		57	56	55	54	51	49				39	36	35	33			27	26	25	24	23	22			17	15	12	11	10	9	8			6	5	4	3		1	1-2035383-9	8U5T-14A464-BA-051		
	64 63			55	54	51	49	48			41						36	35	33	30	27	26	25	24	23	22		18	17	15			9			4			1-2035383-8	8U5T-14A464-BA-050			
		57	55	54			49			43	41	39				35	33	30			26	24	23	22			17	15	11	10	9	8			6	5	4	3	2	1	1-2035383-3	8U5T-14A464-BA-049	
		57	55	54			49			43	41	39				36	35	33	30	27	26	25	24	23	22			17	15	11	10	9	8			6	5	4	3	2	1	1-2035383-2	8U5T-14A464-BA-048
		57	55	54			49				41	40	39					33	30	27	26	25						18	17	15	11	10	9	8			6	5	3	2	1	2035383-9	8U5T-14A464-BA-047
	64 63			55	54	51	49	48			41						36	35	33	30	27	26	25					18	17	15			9			4		2	2035383-7	8U5T-14A464-BA-046			
		57	56	55	54	51	49				39	36	35	33			27	26	25	24	23	22					17	15	12	11	10	9	8			6	5	4	3	1	2035383-1	8U5T-14A464-BA-045	
				55	54						39						26	25										18	17	15	11	10	9	8			6	5	3	2	1	9-1456659-8	8U5T-14A464-BA-044
		56	55	54	52	51	49				39	36	35	34	33	31		27	26	25	24	23					18	17	15	12	11	10	9	8			6	5	4	3	1	9-1456659-6	8U5T-14A464-BA-043
		57	55	54	53	51	49				37						33	32	30	27	26	25	24	23	22			19	17	16	15	12		9	7			3	2	1	9-1456659-3	8U5T-14A464-BA-042	
		57	55	54	53	52	51	49			37						33	32	31	30	27	25	24	23	22			19	17	16	15	12		9	7			3	1	9-1456659-1	8U5T-14A464-BA-041		
		57	55	54			49			43		39	36	35	33	30	27	26	25		22						18	17	15	11	10	9	8			6	4	3	2	1	8-1456659-9	8U5T-14A464-BA-040	
		57	55	54			49			43		39	36	35	33			27	26	25	24	23	22				18	17	15	11	10	9	8			6	4	3	2	1	8-1456659-8	8U5T-14A464-BA-039	
		57	55	54	53	51	49				37	35	34	33	32	30	27	26	25	24	23	22					19	18	17	16	15	12		9	8	7			3	2	1	8-1456659-7	8U5T-14A464-BA-038
		57	55	54			49			43		39	36	35	33	30	27	26	25	24	23	22					18	17	15	11	10	9	8			6	4	3	2	1	8-1456659-4	8U5T-14A464-BA-037	
		57	55	54			49				39						33	30	27	26	25	24	23				18	17	15	11	10	9	8			6	5	3	2	1	8-1456659-3	8U5T-14A464-BA-036	
		57	55	54			49				39						33	30	27	26	25						18	17	15	11	10	9	8			6	5	3	2	1	8-1456659-2	8U5T-14A464-BA-035	
		57	55	54			49				41	40	39					33	30		26	25						18	17	15	11	10	9	8			6	5	3	2	1	8-1456659-1	8U5T-14A464-BA-034
		56	55	54			49				39	36	35	34	33	31		26	25	24	23							18	17	15	12		9			4		1	8-1456659-0	8U5T-14A464-BA-033			
		56	55	54	52	51	49				39	36	35	34	33	31		27	26	25	24	23					18	17	15	12		9			4		1	7-1456659-9	8U5T-14A464-BA-032				
		56	55	54	52	51	49				39	36	35	34	33	31		27	26	25	24	23					18	17	15	12	11	10	9	8			6	4	3	1	7-1456659-8	8U5T-14A464-BA-031	
		57	56	55	54						39	36	35	33			27	26	25	24	23	22					18	17		11	10	9	8			6	5	4	3		7-1456659-7	8U5T-14A464-BA-030	
		57	55	54			49			43		39	36	35	33			27	26	25	24	23	22				17	15	11	10	9	8			6	5	4	3	2	1	7-1456659-6	8U5T-14A464-BA-029	
		57	55	54			49			43		39	36	35	33	30	27	26	25	24	23	22					17	15	11	10	9	8			6	5	4	3	2	1	7-1456659-5	8U5T-14A464-BA-028	
		57	55	54			49			43		39	36	35	33	30	27	26	25	24	23	22					18	17	15	11	10	9	8			6	5	4	3	2	1	7-1456659-4	8U5T-14A464-BA-027
		57	55	54	53	51	49				37						33	32	30	27	26	25	24	23	22			19	17	16	15	12		9	7			2	1	7-1456659-2	8U5T-14A464-BA-026		
		57	55	54	53	51	49				37	35	33	32	30	27	26	25	24	23	22						19	17	16	15	12		9	7	5			1	6-1456659-9	8U5T-14A464-BA-025			
		57	56	54			49				39	36	35	33	30	27	26	25	24	23	22						17	15	12	11	10	9	8			6	5	4	3	1	6-1456659-8	8U5T-14A464-BA-024	
		57	55				49			43		39	36	35	33	30	27	26	25	24	23	22					17		11	10	9	8			6	5	3	2	1	6-1456659-7	8U5T-14A464-BA-023		
		57	56	55	54						39	36	35	33			27	26	25	24	23	22					17		12	11	10	9	8			6	5	3	1	6-1456659-6	8U5T-14A464-BA-022		
		57	55	54			49			43		39	36	35	33			27	26	25	24	23	22				18	17	15	11	10	9	8			6	5	3	2	1	6-1456659-5	8U5T-14A464-BA-021	
		56	55	54			49				39	36	35	34	33	31		26	25	24	23						18	17	15	12		9			4		1	6-1456659-3	8U5T-14A464-BA-020				
		57	55	54	53	52	51	49			37						33	32	31	30	27	25	24	23	22			19	17	16	15	12		9	7			1	6-1456659-2	8U5T-14A464-BA-019			
		56	55	54	52	51	49				39	36	35	34	33	31		27	26	25	24	23					18	17	15	12		9			4		1	6-1456659-1	8U5T-14A464-BA-018				
		56	55	54			49				39	36	35	34	33	31		26	25	24	23						18	17	15	12		9			4		1	6-1456659-0	8U5T-14A464-BA-017				
		57	55	54			49			43		39	36	35	33	30	27	26	25	24	23	22					17	15	11	10	9	8			6	5	3	2	1	5-1456659-2	8U5T-14A464-BA-016		
		57	55	54			49			43		39	36	35	33	30	27	26	25	24	23	22					17	15	11	10	9	8			6	5	3	2	1	5-1456659-1	8U5T-14A464-BA-015		
		57	55	54	53	52	51	49			37						33	32	31	30	27	25	24	23	22			19	17	16	15	12		9	7	5		1	4-1456659-1	8U5T-14A464-BA-014			
		57	56	54	52	51	49				39	36	35	33	31	30	27	26																									

REVISIONS				
P.	LTN.	DESCRIPTION	DATE	APPV.
-	-	SEE SHEET 1	-	-



SCALE 2:1

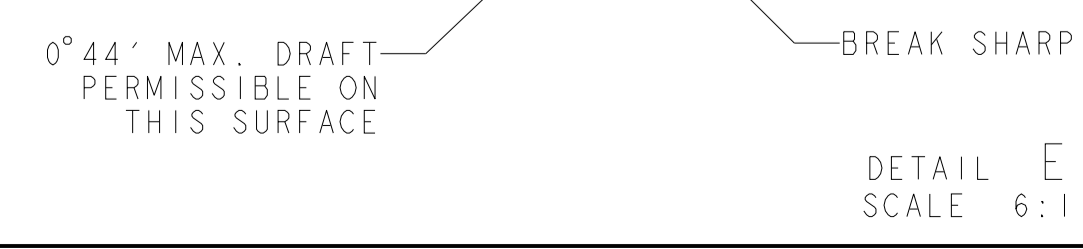
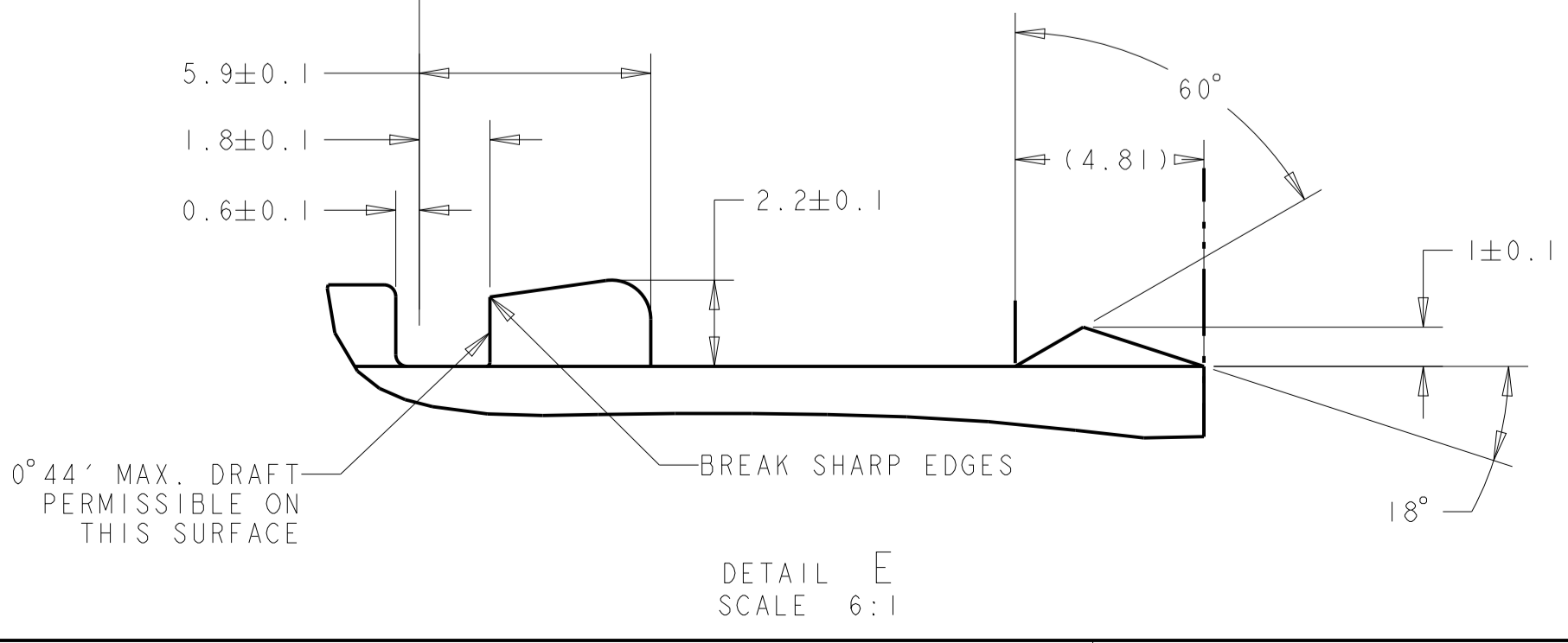
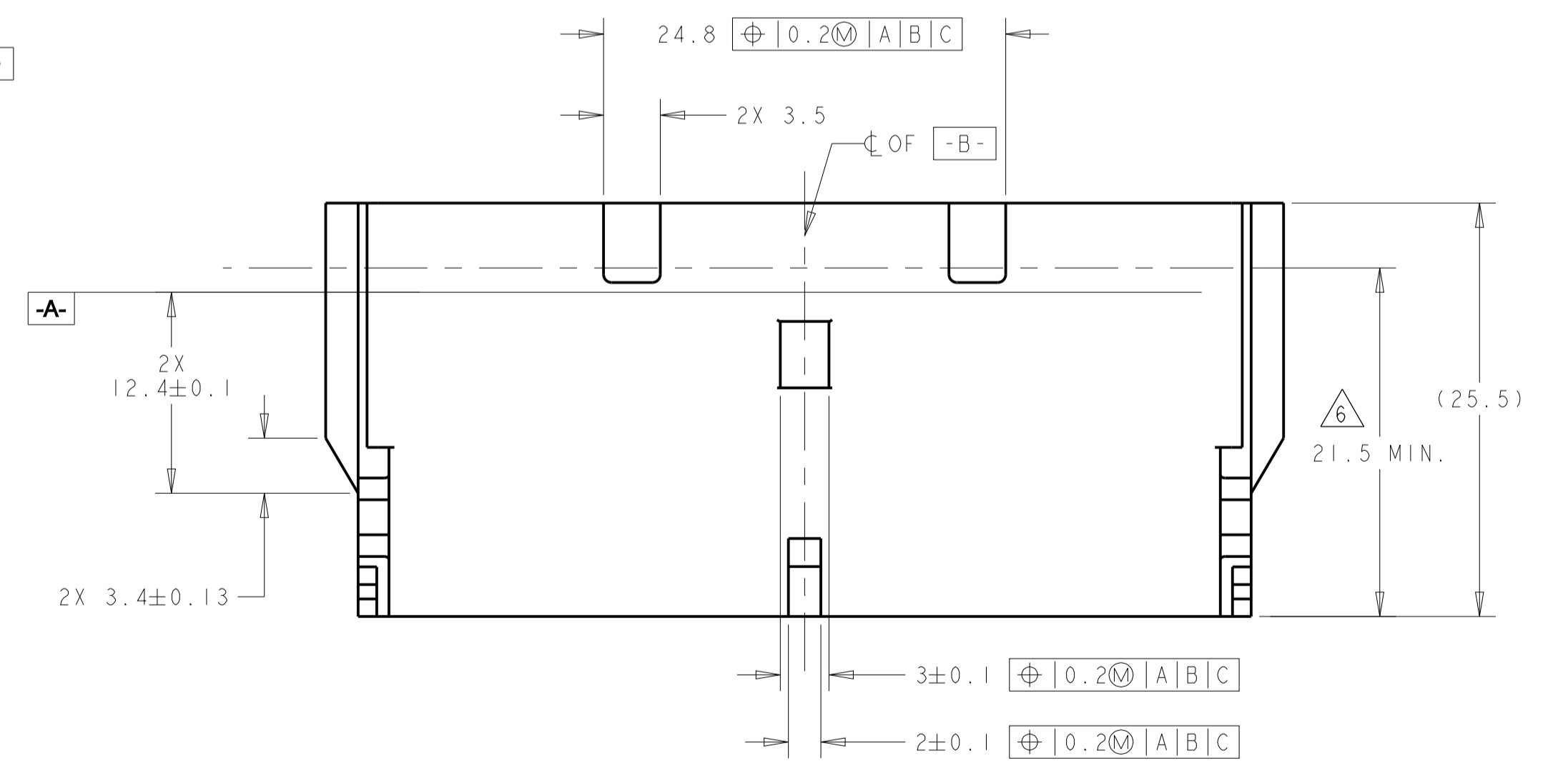
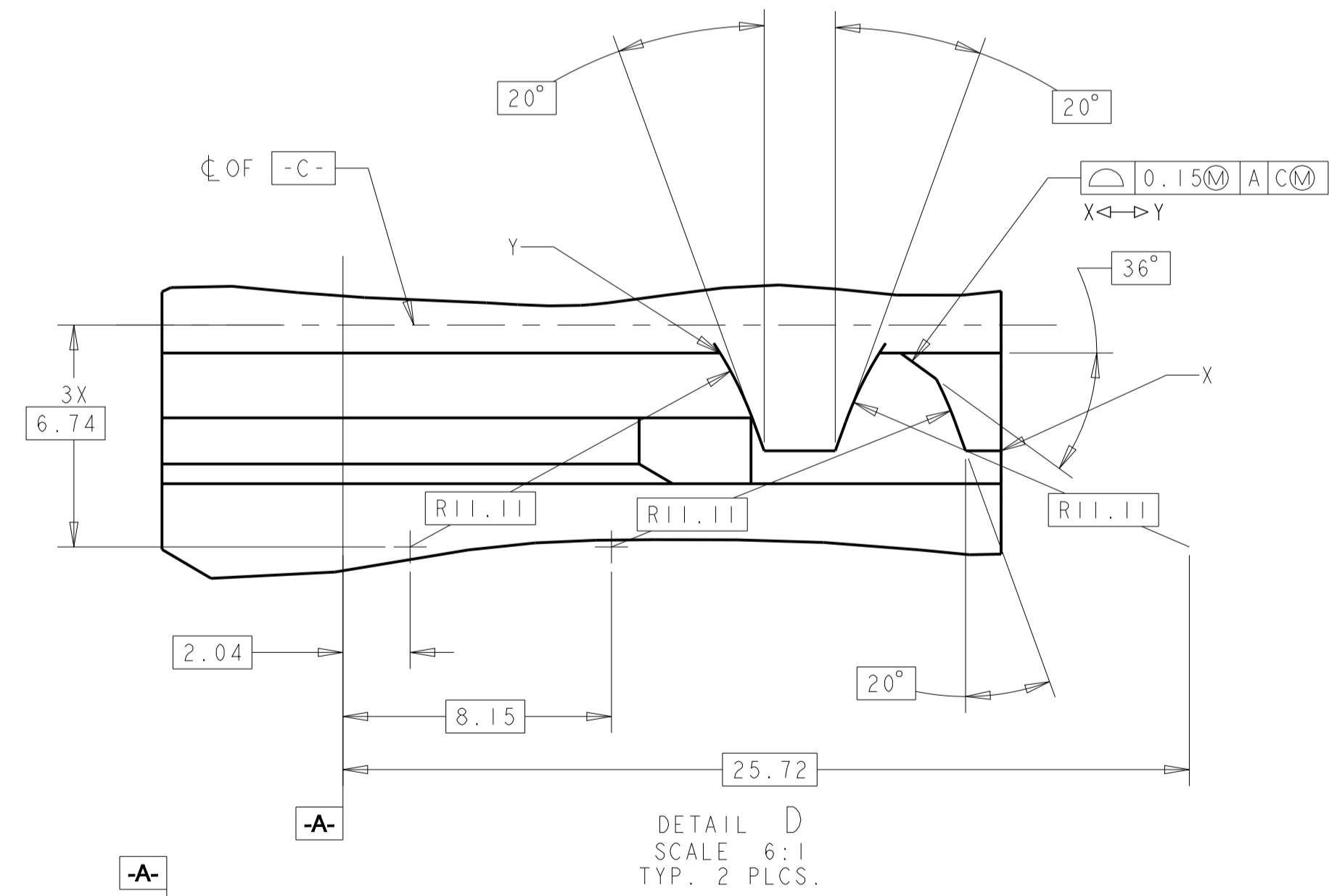
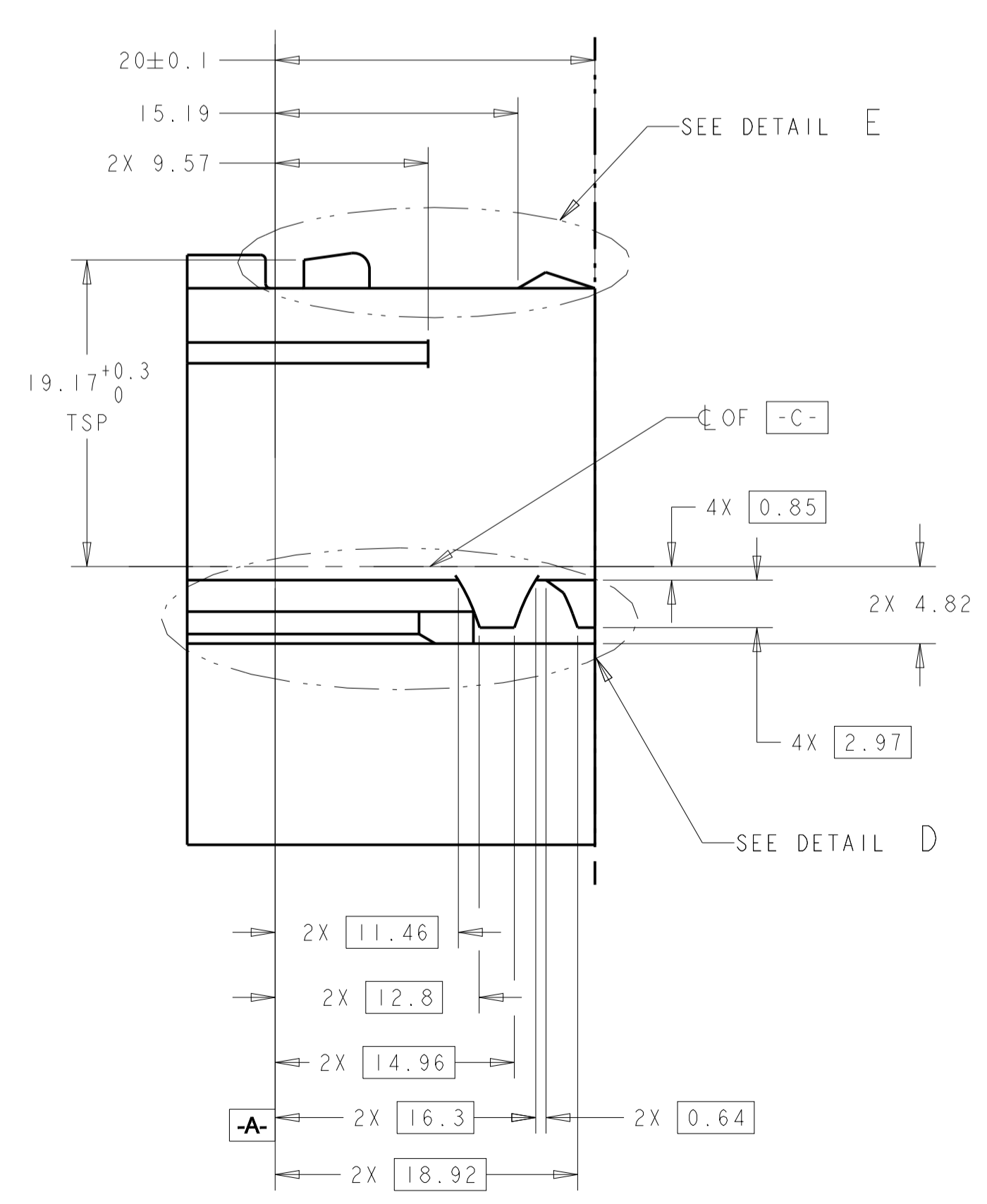
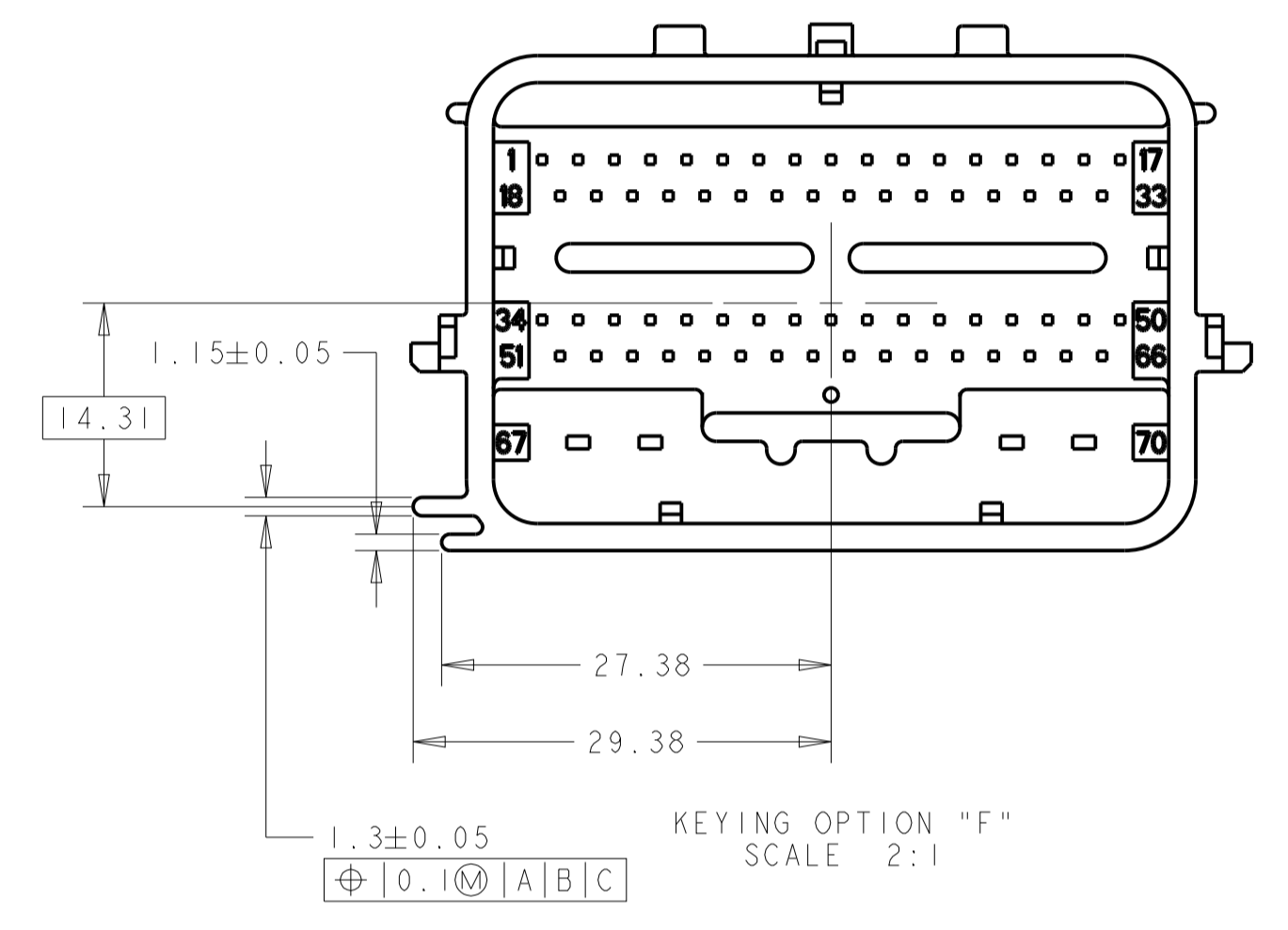
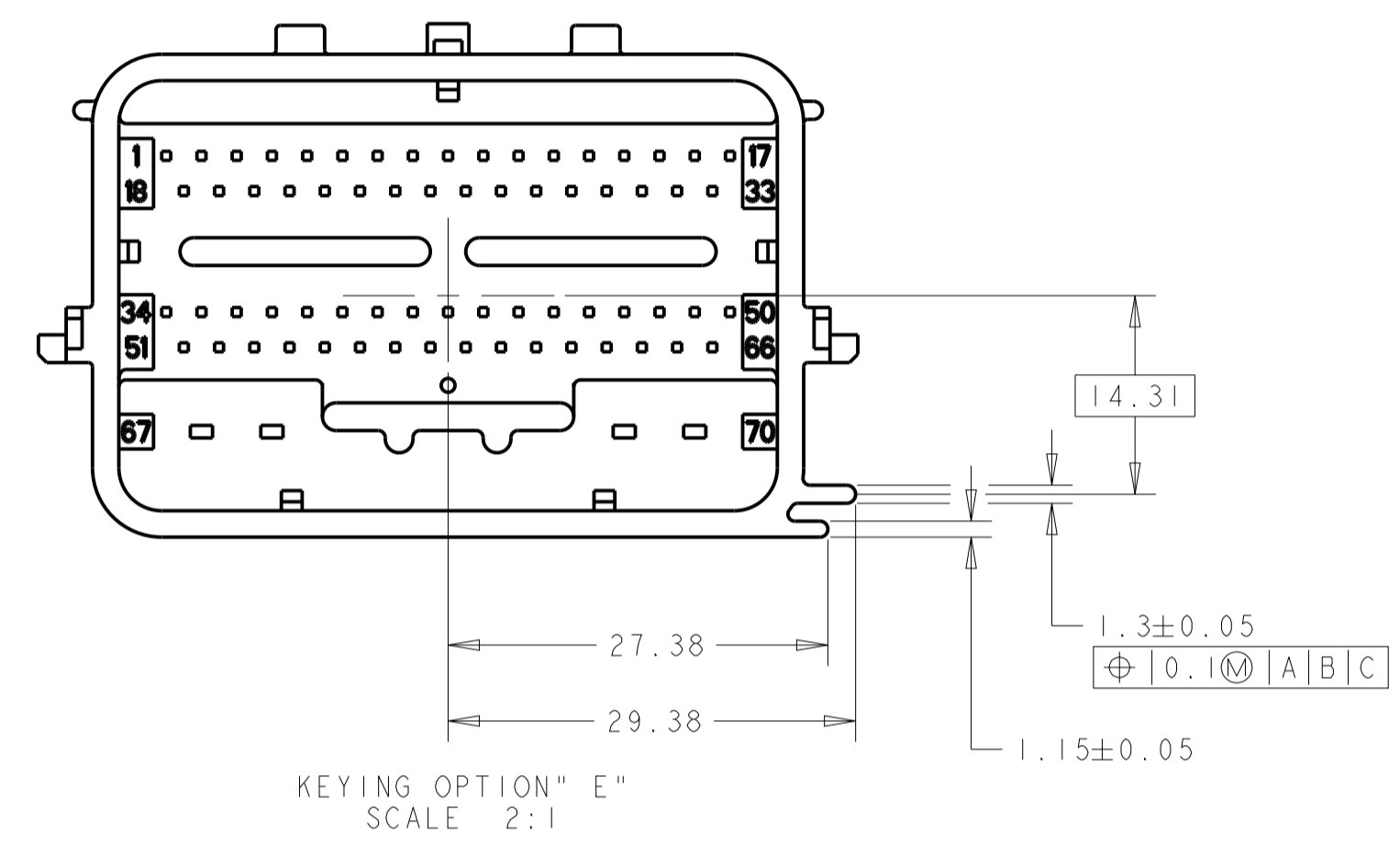
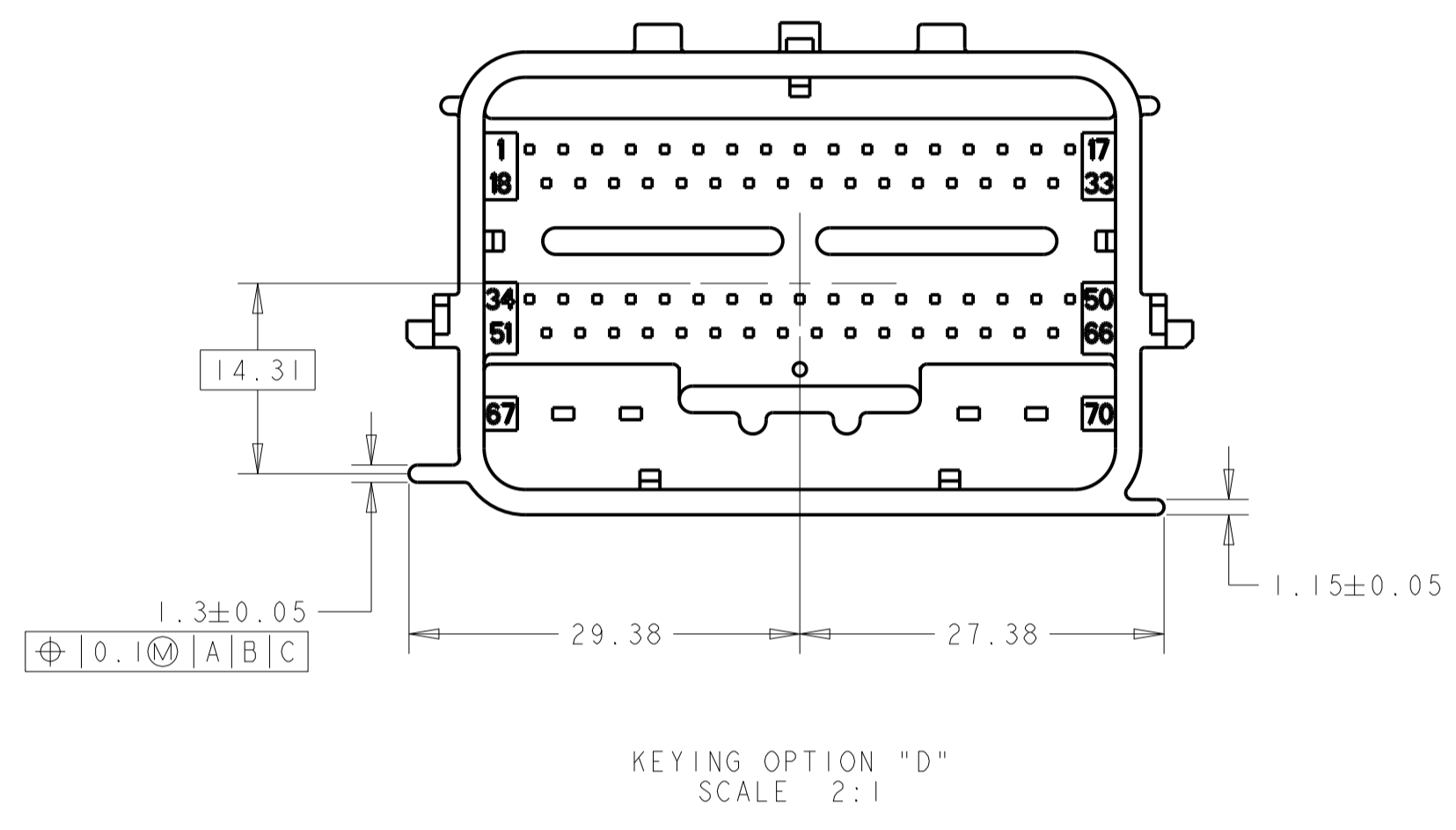
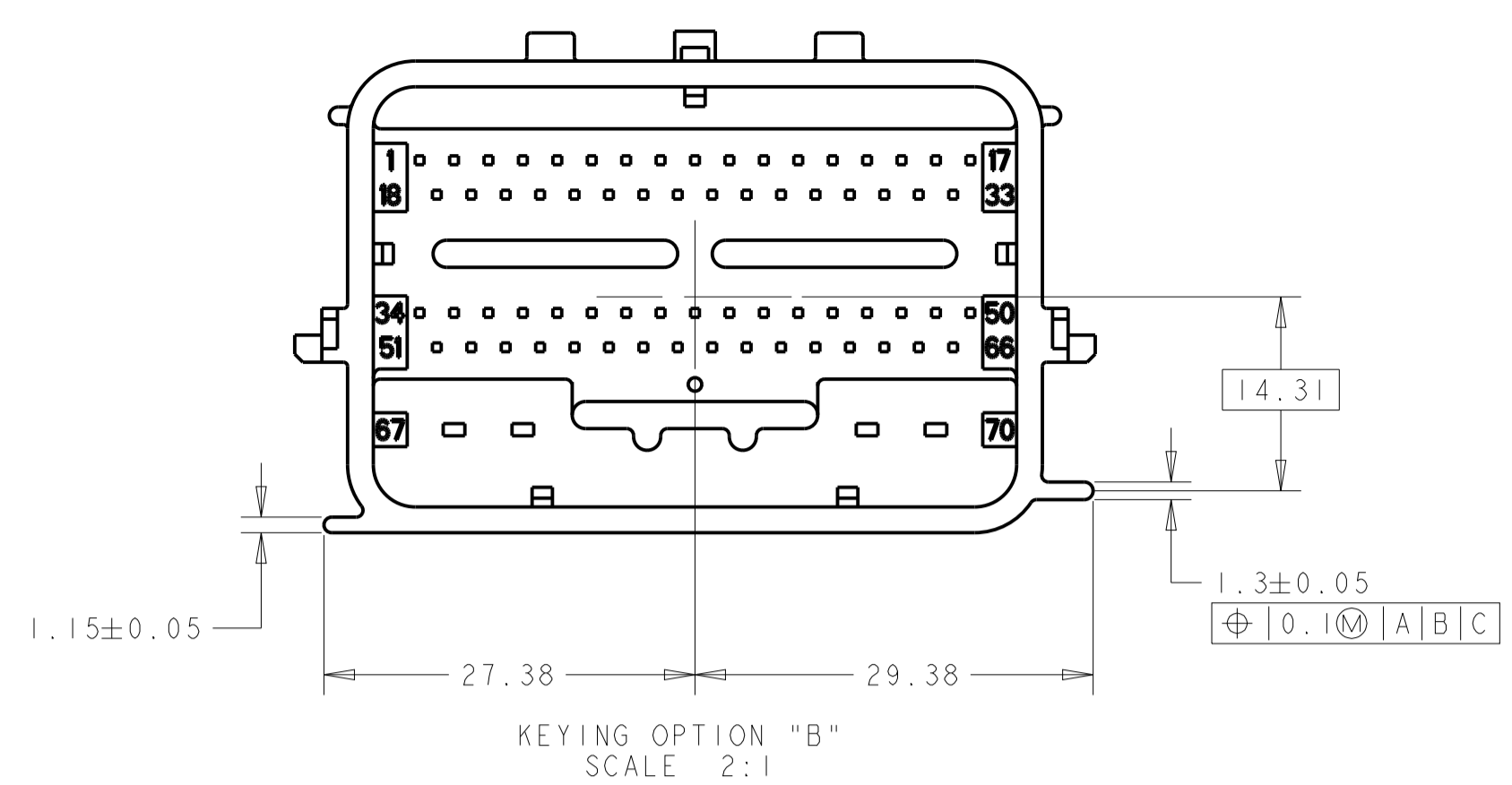
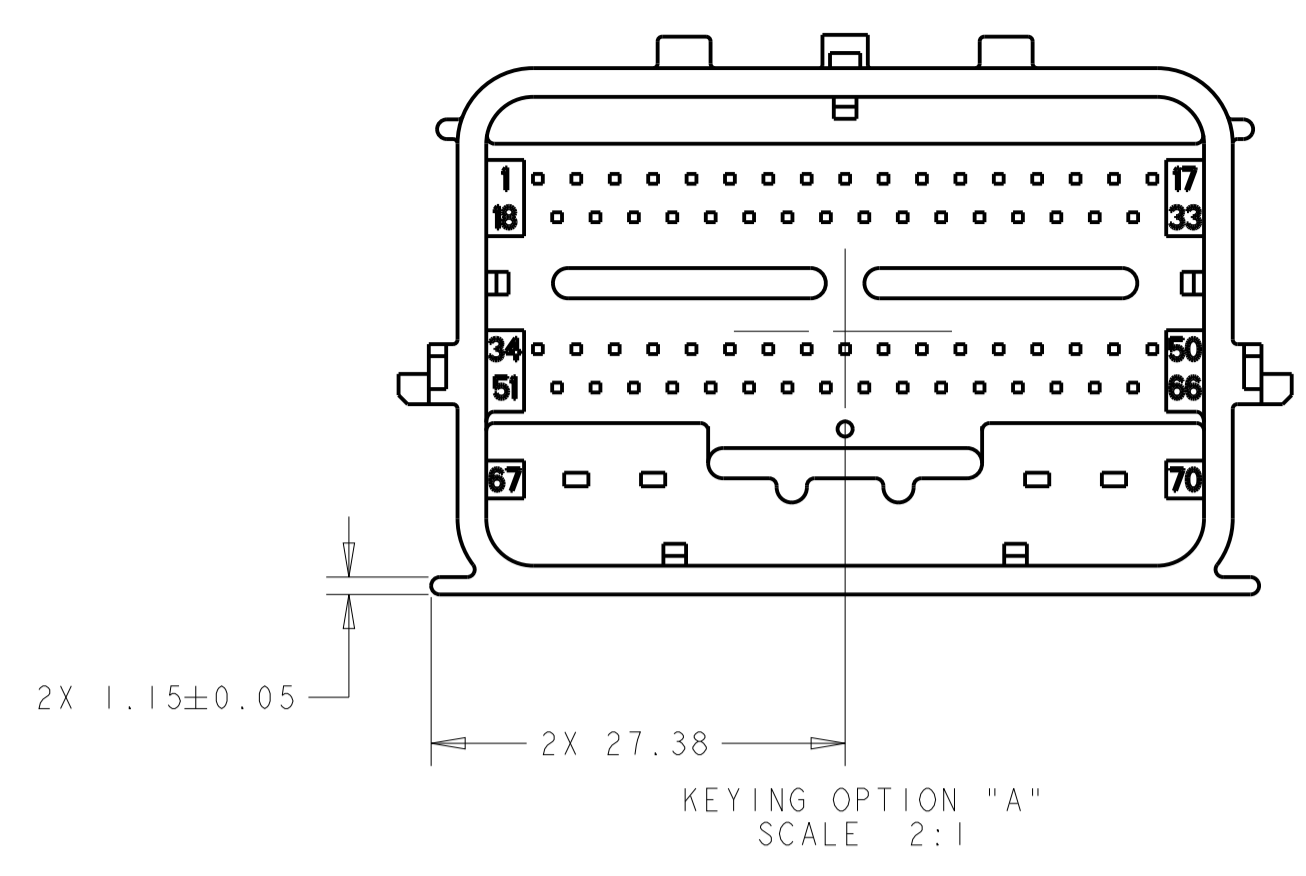


- NOTES: UNLESS OTHERWISE SPECIFIED
- GENERAL TOLERANCE:
±0.3 ALL ONE PLACE DIMENSIONS
±0.10 ALL TWO PLACE DIMENSIONS
±1°00' ALL ANGULAR DIMENSIONS
 - DRAFT ANGLE PERMISSIBLE ONLY WITHIN DRAWING TOLERANCE.
 - SEALING SURFACE, NO WITNESS LINES OF DAMAGE PERMITTED.
 - ALL UNMARKED RADI TO BE 0.5 MAX., UNLESS OTHERWISE SPECIFIED
 - VENT HOLE SIZE AND LOCATION IS OPTIONAL.
 - THIS AREA TO REMAIN CLEAR FOR THE HARNESS ASSEMBLY.
 - TERMINAL POSITION IDENTIFICATION.
 - MATES WITH TYCO ELECTRONICS PART# 1438136-*

THIS DRAWING IS A CONTROLLED DOCUMENT.		OWN: R. VESTAL 15APR2005	TE Connectivity										
DIMENSIONS: mm		CHK: T. VALASEK 15APR2005											
TOLERANCES UNLESS OTHERWISE SPECIFIED:		APVD: T. VALASEK 15APR2005	NAME: 70-WAY HARNESS ASSEMBLY										
<table border="1"> <tr><td>0 PLC</td><td>±</td></tr> <tr><td>1 PLC</td><td>±0.3</td></tr> <tr><td>2 PLC</td><td>±0.10</td></tr> <tr><td>3 PLC</td><td>±</td></tr> <tr><td>4 PLC</td><td>±</td></tr> </table>		0 PLC	±	1 PLC	±0.3	2 PLC	±0.10	3 PLC	±	4 PLC	±	PRODUCT SPEC	SIZE: CAGE CODE DRAWING NO
0 PLC	±												
1 PLC	±0.3												
2 PLC	±0.10												
3 PLC	±												
4 PLC	±												
MATERIAL		APPLICATION SPEC	RESTRICTED TO										
FINISH		WEIGHT	A100779C=1438136										
CUSTOMER DRAWING		SCALE 2:1	SHEET 10 OF 11 REV 647										

HEADER INTERFACE KEYING OPTIONS

REVISIONS				
P.	LTN.	DESCRIPTION	DATE	APP'D.
-	-	SEE SHEET 1	-	-



THIS DRAWING IS A CONTROLLED DOCUMENT.		OWN: R. VESTAL 15APR2005	TE Connectivity
DIMENSIONS: mm		CHK: T. VALASEK 15APR2005	
TOLERANCES UNLESS OTHERWISE SPECIFIED:		APVD: T. VALASEK 15APR2005	NAME: 70-WAY HARNESS ASSEMBLY
0 PLC ±0.3	1 PLC ±0.10	PRODUCT SPEC	SIZE: CAGE CODE DRAWING NO.
2 PLC ±0.10	3 PLC ±0.10	APPLICATION SPEC	RESTRICTED TO
4 PLC ±0.10	ANGLES ±0.1°	WEIGHT	A100779C=1438136
MATERIAL	FINISH	CUSTOMER DRAWING	SCALE 2:1 SHEET 11 OF 11 REV 647

Данный компонент на территории Российской Федерации

Вы можете приобрести в компании MosChip.

Для оперативного оформления запроса Вам необходимо перейти по данной ссылке:

<http://moschip.ru/get-element>

Вы можете разместить у нас заказ для любого Вашего проекта, будь то серийное производство или разработка единичного прибора.

В нашем ассортименте представлены ведущие мировые производители активных и пассивных электронных компонентов.

Нашей специализацией является поставка электронной компонентной базы двойного назначения, продукции таких производителей как XILINX, Intel (ex.ALTERA), Vicor, Microchip, Texas Instruments, Analog Devices, Mini-Circuits, Amphenol, Glenair.

Сотрудничество с глобальными дистрибьюторами электронных компонентов, предоставляет возможность заказывать и получать с международных складов практически любой перечень компонентов в оптимальные для Вас сроки.

На всех этапах разработки и производства наши партнеры могут получить квалифицированную поддержку опытных инженеров.

Система менеджмента качества компании отвечает требованиям в соответствии с ГОСТ Р ИСО 9001, ГОСТ РВ 0015-002 и ЭС РД 009

Офис по работе с юридическими лицами:

105318, г.Москва, ул.Щербаковская д.3, офис 1107, 1118, ДЦ «Щербаковский»

Телефон: +7 495 668-12-70 (многоканальный)

Факс: +7 495 668-12-70 (доб.304)

E-mail: info@moschip.ru

Skype отдела продаж:

moschip.ru

moschip.ru_4

moschip.ru_6

moschip.ru_9