

General Specifications

Electrical Capacity (Resistive Load)

Low/Logic Level: 50mA @ 24V DC

Other Ratings

Contact Resistance:	50 milliohms maximum
Insulation Resistance:	500 megohms minimum @ 250V DC
Dielectric Strength:	250V AC minimum for 1 minute minimum
Mechanical Life:	1,000,000 operations minimum
Electrical Life:	1,000,000 operations minimum
Nominal Operating Force:	3.0N
Total Travel:	.030" (0.75mm)

Materials & Finishes

Actuator:	Polycarbonate
Case:	Glass fiber reinforced polyamide
Base:	Glass fiber reinforced polybutylene terephthalate (PBT)
Movable Contact:	Stainless steel
Stationary Contacts:	Brass with silver plating
Switch Terminals:	Brass with silver plating
Lamp Terminals:	Brass with tin plating

Environmental Data

Operating Temperature Range:	-25°C through +50°C (-13°F through +122°F)
Humidity:	90 ~ 95% humidity for 240 hours @ 40°C (104°F)
Vibration:	10 ~ 55Hz with peak-to-peak amplitude of 1.5mm traversing the frequency range & returning in 1 minute; 3 right angled directions for 2 hours
Shock:	50G (490m/s ²) acceleration (tested in 6 right angled directions, with 5 shocks in each direction)

PCB Processing

Soldering:	Wave Soldering: See Profile A in Supplement section. Manual Soldering: See Profile A in Supplement section.
Cleaning:	These devices are not process sealed. Hand clean locally using alcohol based solution.

Standards & Certifications

The JL Series tactiles have not been tested for UL recognition or CSA certification. These switches are designed for use in a low-voltage, low-current circuit. When used as intended, the results do not produce hazardous energy.

Distinctive Characteristics

Bright, full face illumination with choice of red, green, or amber LEDs.

Multiple LED arrays and interior reflectors enhance illumination of the large, .75" (19mm) square actuator surface.

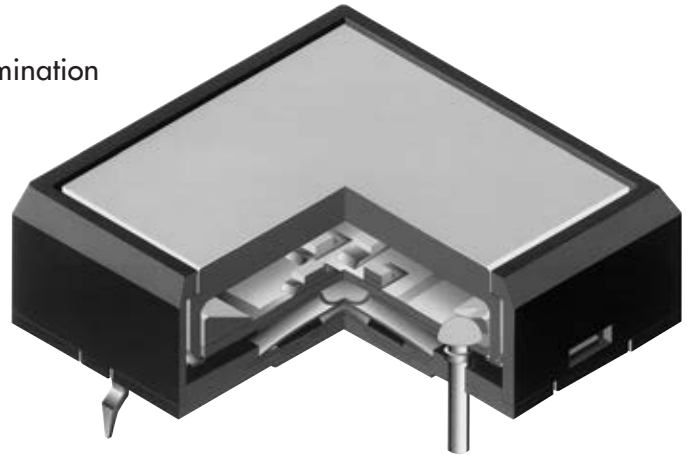
Distinctive design allows full face illumination in extra low profile of 0.31" (7.85mm) from PCB to top of switch.

Dome contact gives crisp tactile and audible feedback with short stroke and assures high reliability and long life of 1,000,000 operations.

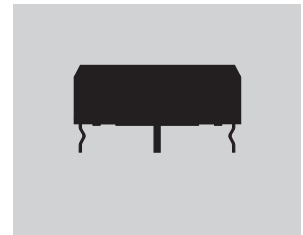
Crimped terminals provide a spring type action to ensure secure mounting and prevent dislodging during the soldering process.

Streamlined housing dimensions provide for compact, side-by-side mounting on a standard grid.

Terminal spacing conforms to standard .100" (2.54mm) PCB grid.

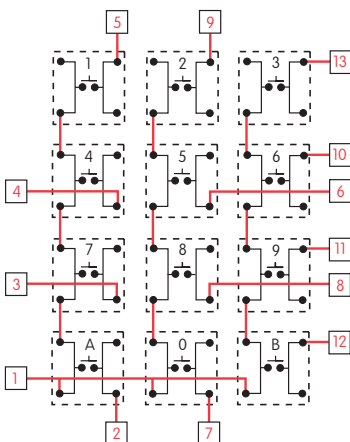


Actual Size



Common Bus Matrix

These single pole, single throw switches can be used in a keyboard matrix and, using strapped terminals, achieve a common bus electrical configuration on a single-sided PC board.

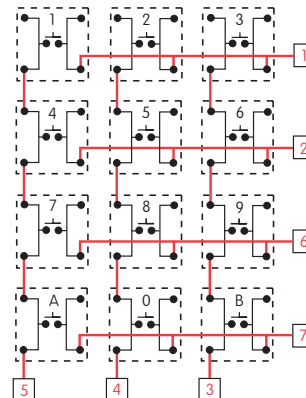


PC Terminations		1	2	3	4	5	6	7	8	9	10	11	12	13
Keys (Switches)	1					●								
2		●												
3			●											
4				●										
5					●									
6						●								
7							●							
8								●						
9									●					
0										●				
A											●			
B												●		

● = ON

X-Y Matrix

These single pole, single throw switches can be arranged on a single-sided PC board matrix with strapped terminals to achieve an X-Y type electrical interconnection.

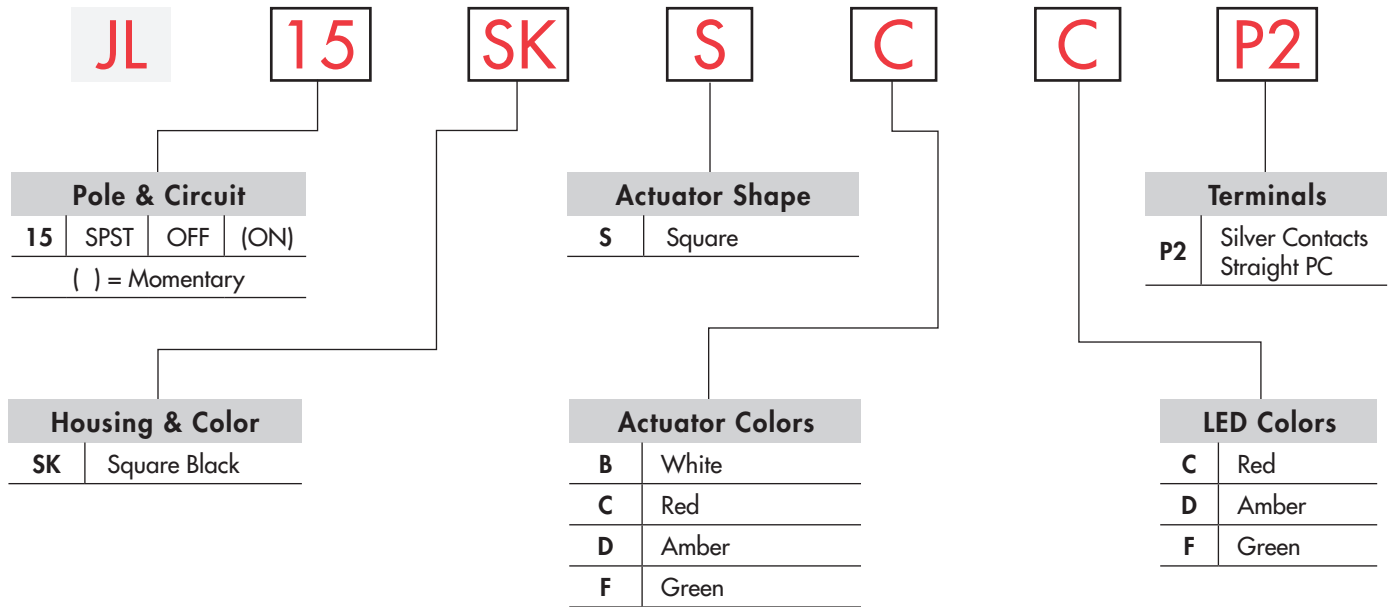


PC Terminations		1	2	3	4	5	6	7				
Keys (Switches)	1											
2		●										
3			●									
4				●								
5					●							
6						●						
7							●					
8								●				
9									●			
0										●		
A											●	
B												●

● = ON

Red = PCB Trace Black = Switch Circuit

TYPICAL SWITCH ORDERING EXAMPLE



DESCRIPTION FOR TYPICAL ORDERING EXAMPLE

JL15SKSCP2

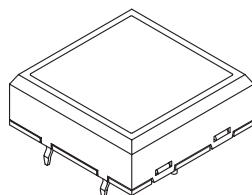


POLE & CIRCUIT

Pole	Model	Actuator Position () = Momentary		Switch Throw & Schematic	LED Schematic	Note: Terminal markings "1", "1a", "-", and "+" are shown on the switch.
		Normal	Down			
SP	JL15	OFF	(ON)	SPST		

HOUSING & COLOR

SK Square Black Housing



ACTUATOR SHAPE & COLORS

S .748" (19.0mm) Square Actuator

Actuator Colors Available:

B White **C** Red **D** Amber **F** Green

Mouser Electronics

Authorized Distributor

Click to View Pricing, Inventory, Delivery & Lifecycle Information:

NKK Switches:

[JL15SKSFFP2](#) [JL15SKSBFP2](#) [JL15SKSCCP2](#) [JL15SKSDDP2](#) [JL15SKSBDP2](#) [JL15SKSBCP2](#)

Данный компонент на территории Российской Федерации

Вы можете приобрести в компании MosChip.

Для оперативного оформления запроса Вам необходимо перейти по данной ссылке:

<http://moschip.ru/get-element>

Вы можете разместить у нас заказ для любого Вашего проекта, будь то серийное производство или разработка единичного прибора.

В нашем ассортименте представлены ведущие мировые производители активных и пассивных электронных компонентов.

Нашей специализацией является поставка электронной компонентной базы двойного назначения, продукции таких производителей как XILINX, Intel (ex.ALTERA), Vicor, Microchip, Texas Instruments, Analog Devices, Mini-Circuits, Amphenol, Glenair.

Сотрудничество с глобальными дистрибьюторами электронных компонентов, предоставляет возможность заказывать и получать с международных складов практически любой перечень компонентов в оптимальные для Вас сроки.

На всех этапах разработки и производства наши партнеры могут получить квалифицированную поддержку опытных инженеров.

Система менеджмента качества компании отвечает требованиям в соответствии с ГОСТ Р ИСО 9001, ГОСТ РВ 0015-002 и ЭС РД 009

Офис по работе с юридическими лицами:

105318, г.Москва, ул.Щербаковская д.3, офис 1107, 1118, ДЦ «Щербаковский»

Телефон: +7 495 668-12-70 (многоканальный)

Факс: +7 495 668-12-70 (доб.304)

E-mail: info@moschip.ru

Skype отдела продаж:

moschip.ru

moschip.ru_4

moschip.ru_6

moschip.ru_9