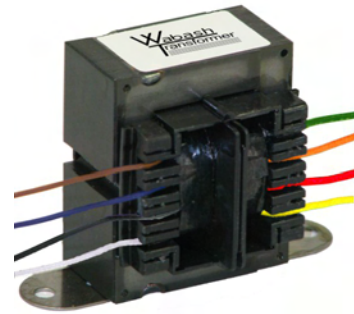


## International Power Transformer

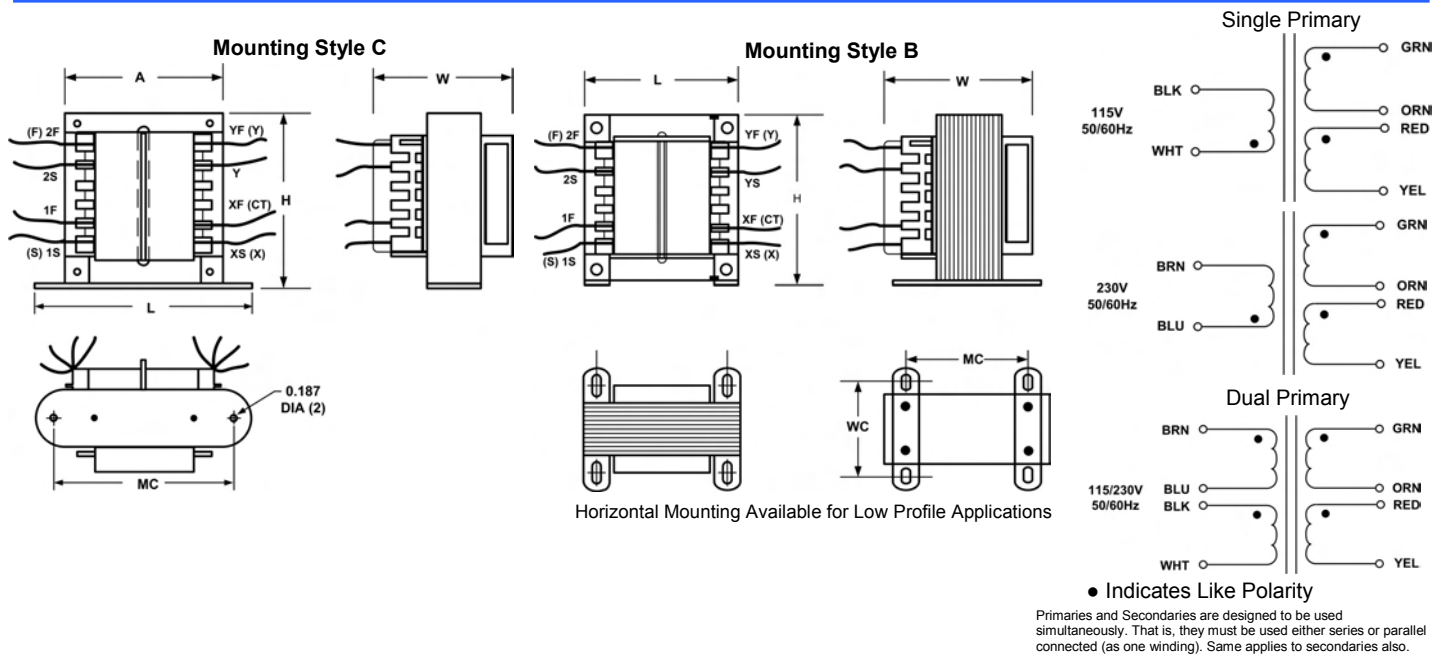
### Series: VDE - Lead Wires

- Power Rating 25VA to 175VA
- Single or Dual Primary, 115V, 230V or 115/230V
- Frequency 50/60Hz
- Series or Parallel Secondary
- Dielectric Strength – 4000 Vrms
- Insulation Class F (155°C)
- Flammability Rating – Bobbin/Shroud UL94V0 or 94H-B



### Agency Approvals:

- UL/cUL 5085-2 Recognized (File E47299)
- VDE Licensed (File 40001595)
- UL/cUL 5085-3 Class 2 Recognized (File E49606)
- Insulation File No. E95662



VA Rating	Dimensions (Inches)							Weight lbs
	L	W	H	A	Mtg. Style	MC	WC	
25	2.81	2.14	2.31	1.95	C	2.38	-	1.25
43	3.12	2.14	2.68	2.25	C	2.81	-	1.60
80	2.50	2.50	3.00	-	B	2.00	2.50	2.80
100	2.81	3.00	3.37	-	B	2.25	2.50	4.10
130	2.81	3.00	3.37	-	B	2.25	2.50	4.10
150	3.12	3.12	3.75	-	B	2.50	2.50	5.50
175	3.12	3.12	3.75	-	B	2.50	2.50	5.50

**Any application, Any requirement, Contact us for our Custom Designs**



Series: VDE - Lead Wires

Partial Selection Guide

All models are VDE approved

VA	Part Number			Secondary		Class 2
	115/230V	115V	230V	Series	Parallel	
25	VDE-25L-10	VDE1-25L-10	VDE2-25L-10	10VCT @ 2.50A	5V @ 5.00A	✓
	VDE-25L-126	VDE1-25L-126	VDE2-25L-126	12.6VCT @ 1.98A	6.3V @ 3.96A	✓
	VDE-25L-16	VDE1-25L-16	VDE2-25L-16	16VCT @ 1.56A	8V @ 3.12A	✓
	VDE-25L-18	VDE1-25L-18	VDE2-25L-18	18VCT @ 1.39A	9V @ 2.78A	✓
	VDE-25L-20	VDE1-25L-20	VDE2-25L-20	20VCT @ 1.25A	10V @ 2.50A	✓
	VDE-25L-24	VDE1-25L-24	VDE2-25L-24	24VCT @ 1.04A	12V @ 2.08A	✓
	VDE-25L-28	VDE1-25L-28	VDE2-25L-28	28VCT @ 892mA	14V @ 1.78A	-
	VDE-25L-36	VDE1-25L-36	VDE2-25L-36	36VCT @ 694mA	18V @ 1.38A	-
43	VDE-43L-10	VDE1-43L-10	VDE2-43L-10	10VCT @ 4.30A	5V @ 8.60A	-
	VDE-43L-126	VDE1-43L-126	VDE2-43L-126	12.6VCT @ 3.41A	6.3V @ 6.82A	✓
	VDE-43L-16	VDE1-43L-16	VDE2-43L-16	16VCT @ 2.68A	8V @ 5.37A	✓
	VDE-43L-18	VDE1-43L-18	VDE2-43L-18	18VCT @ 2.38A	9V @ 4.76A	✓
	VDE-43L-20	VDE1-43L-20	VDE2-43L-20	20VCT @ 2.15A	10V @ 4.30A	✓
	VDE-43L-24	VDE1-43L-24	VDE2-43L-24	24VCT @ 1.79A	12V @ 3.58A	-
	VDE-43L-28	VDE1-43L-28	VDE2-43L-28	28VCT @ 1.53A	14V @ 3.06A	-
	VDE-43L-36	VDE1-43L-36	VDE2-43L-36	36VCT @ 1.19A	18V @ 2.38A	-
80	VDE-80L-10	VDE1-80L-10	VDE2-80L-10	10VCT @ 8.00A	5V @ 16.00A	-
	VDE-80L-126	VDE1-80L-126	VDE2-80L-126	12.6VCT @ 6.34A	6.3V @ 12.69A	-
	VDE-80L-16	VDE1-80L-16	VDE2-80L-16	16VCT @ 5.00A	8V @ 10.00A	-
	VDE-80L-18	VDE1-80L-18	VDE2-80L-18	18VCT @ 4.44A	9V @ 8.88A	-
	VDE-80L-20	VDE1-80L-20	VDE2-80L-20	20VCT @ 4.00A	10V @ 8.00A	-
	VDE-80L-24	VDE1-80L-24	VDE2-80L-24	24VCT @ 3.33A	12V @ 6.66A	-
	VDE-80L-28	VDE1-80L-28	VDE2-80L-28	28VCT @ 2.85A	14V @ 5.70A	-
	VDE-80L-36	VDE1-80L-36	VDE2-80L-36	36VCT @ 2.22A	18V @ 4.44A	-
100	VDE-100L-10	VDE1-100L-10	VDE2-100L-10	10VCT @ 10.0A	5V @ 20.00A	-
	VDE-100L-126	VDE1-100L-126	VDE2-100L-126	12.6VCT @ 7.93A	6.3V @ 15.8A	-
	VDE-100L-16	VDE1-100L-16	VDE2-100L-16	16VCT @ 6.25A	8V @ 12.50A	-
	VDE-100L-18	VDE1-100L-18	VDE2-100L-18	18VCT @ 5.55A	9V @ 11.11A	-
	VDE-100L-20	VDE1-100L-20	VDE2-100L-20	20VCT @ 5.00A	10V @ 10.00A	-
	VDE-100L-24	VDE1-100L-24	VDE2-100L-24	24VCT @ 4.16A	12V @ 8.33A	-
	VDE-100L-28	VDE1-100L-28	VDE2-100L-28	28VCT @ 3.57A	14V @ 7.14A	-
	VDE-100L-36	VDE1-100L-36	VDE2-100L-36	36VCT @ 2.77A	18V @ 5.55A	-
	VDE-100L-230	VDE1-100L-230	VDE2-100L-230	230VCT @ 434mA	115V @ 869mA	-

Continued...

Any application, Any requirement, Contact us for our Custom Designs



#### Partial Selection Guide (Continued)

All models are VDE approved

VA	Part Number			Secondary	
	115/230V	115V	230V	Series	Parallel
130	VDE-130L-10	VDE1-130L-10	VDE2-130L-10	10VCT @ 13.00A	5V @ 26.00A
	VDE-130L-126	VDE1-130L-126	VDE2-130L-126	12.6VCT @ 10.31A	6.3V @ 20.63A
	VDE-130L-16	VDE1-130L-16	VDE2-130L-16	16VCT @ 8.125A	8V @ 16.25A
	VDE-130L-18	VDE1-130L-18	VDE2-130L-18	18VCT @ 7.22A	9V @ 14.44A
	VDE-130L-20	VDE1-130L-20	VDE2-130L-20	20VCT @ 6.50A	10V @ 13.00A
	VDE-130L-24	VDE1-130L-24	VDE2-130L-24	24VCT @ 5.41A	12V @ 10.83A
	VDE-130L-28	VDE1-130L-28	VDE2-130L-28	28VCT @ 4.64A	14V @ 9.28A
	VDE-130L-36	VDE1-130L-36	VDE2-130L-36	36VCT @ 3.61A	18V @ 7.22A
	VDE-130L-230	VDE1-130L-230	VDE2-130L-230	230VCT @ 565mA	115V @ 1.13A
150	VDE-150L-10	VDE1-150L-10	VDE2-150L-10	10VCT @ 15.00A	5V @ 30.00A
	VDE-150L-126	VDE1-150L-126	VDE2-150L-126	12.6VCT @ 11.90A	6.3V @ 23.80A
	VDE-150L-16	VDE1-150L-16	VDE2-150L-16	16VCT @ 9.375A	8V @ 18.75A
	VDE-150L-18	VDE1-150L-18	VDE2-150L-18	18VCT @ 8.33A	9V @ 16.66A
	VDE-150L-20	VDE1-150L-20	VDE2-150L-20	20VCT @ 7.50A	10V @ 15.00A
	VDE-150L-24	VDE1-150L-24	VDE2-150L-24	24VCT @ 6.25A	12V @ 12.50A
	VDE-150L-28	VDE1-150L-28	VDE2-150L-28	28VCT @ 5.35A	14V @ 10.71A
	VDE-150L-36	VDE1-150L-36	VDE2-150L-36	36VCT @ 4.16A	18V @ 8.33A
	VDE-150L-230	VDE1-150L-230	VDE2-150L-230	230VCT @ 652mA	115V @ 1.30A
175	VDE-175L-10	VDE1-175L-10	VDE2-175L-10	10VCT @ 17.50A	5V @ 35.00A
	VDE-175L-126	VDE1-175L-126	VDE2-175L-126	12.6VCT @ 13.88A	6.3V @ 27.77A
	VDE-175L-16	VDE1-175L-16	VDE2-175L-16	16VCT @ 10.93A	8V @ 21.87A
	VDE-175L-18	VDE1-175L-18	VDE2-175L-18	20VCT @ 9.72A	9V @ 19.44A
	VDE-175L-20	VDE1-175L-20	VDE2-175L-20	24VCT @ 8.75A	10V @ 17.50A
	VDE-175L-24	VDE1-175L-24	VDE2-175L-24	24VCT @ 7.29A	12V @ 14.58A
	VDE-175L-28	VDE1-175L-28	VDE2-175L-28	28VCT @ 6.25A	14V @ 12.50A
	VDE-175L-36	VDE1-175L-36	VDE2-175L-36	36VCT @ 4.86A	18V @ 9.72A
	VDE-175L-230	VDE1-175L-230	VDE2-175L-230	230VCT @ 760mA	115V @ 1.52A

Any application, Any requirement, Contact us for our Custom Designs

## Данный компонент на территории Российской Федерации

### Вы можете приобрести в компании MosChip.

Для оперативного оформления запроса Вам необходимо перейти по данной ссылке:

<http://moschip.ru/get-element>

Вы можете разместить у нас заказ для любого Вашего проекта, будь то серийное производство или разработка единичного прибора.

В нашем ассортименте представлены ведущие мировые производители активных и пассивных электронных компонентов.

Распределительные склады, находящиеся в России, Европе и в Китае, позволяют нам оперативно поставить необходимые компоненты в оптимальные для Вас сроки.

На всех этапах разработки и производства наши партнеры могут получить квалифицированную поддержку опытных инженеров.

Система менеджмента качества компании отвечает требованиям ISO 9001:2011

### Офис по работе с юридическими лицами:

107023, г.Москва, Семеновский переулок, д.6, Бизнес-центр «АВС»

Телефон: +7 495 668-12-70 (многоканальный)

Факс: +7 495 668-12-70 (доб.304)

E-mail: [info@moschip.ru](mailto:info@moschip.ru)

Skype отдела продаж:

moschip.ru_3	moschip.ru_6
moschip.ru_4	moschip.ru_7
moschip.ru_11	moschip.ru_8
moschip.ru_12	moschip.ru_9