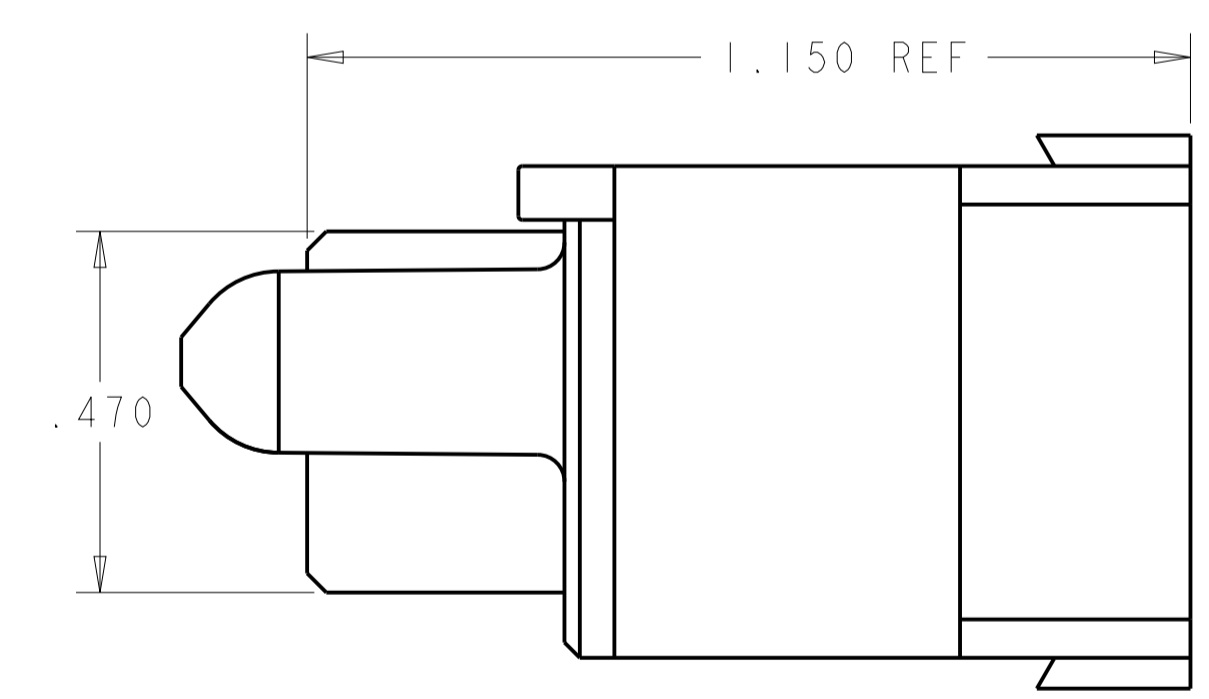
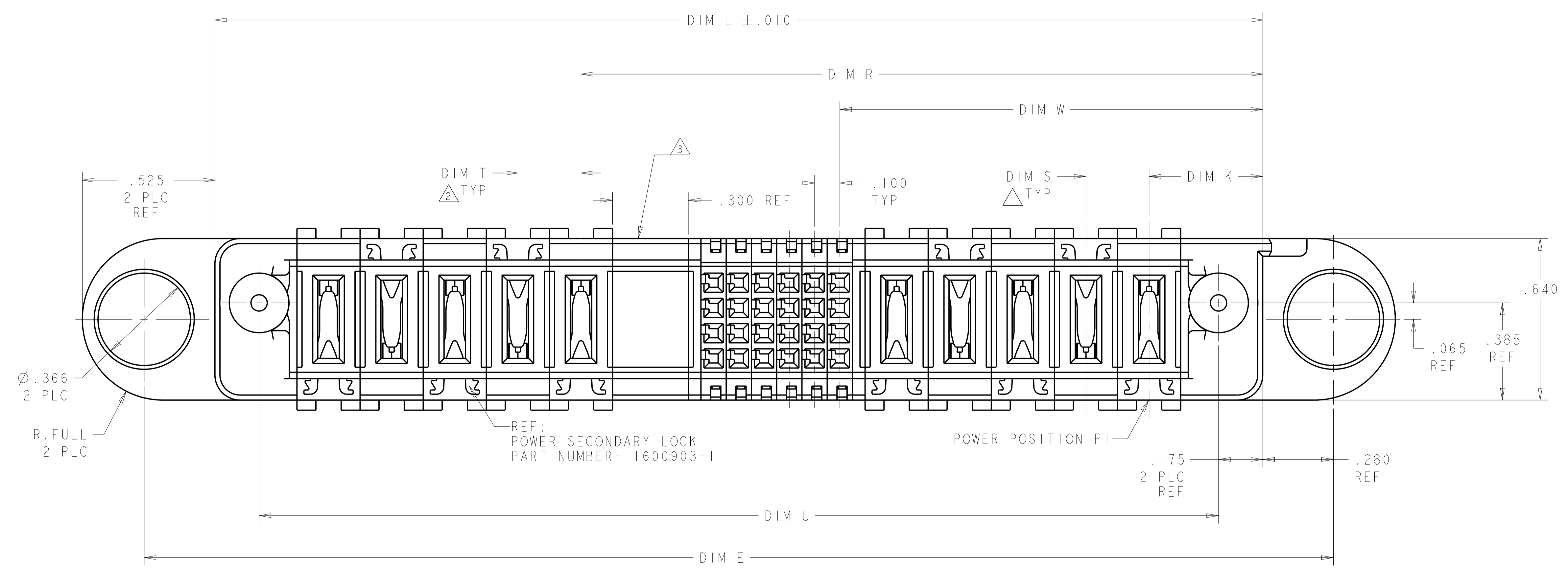
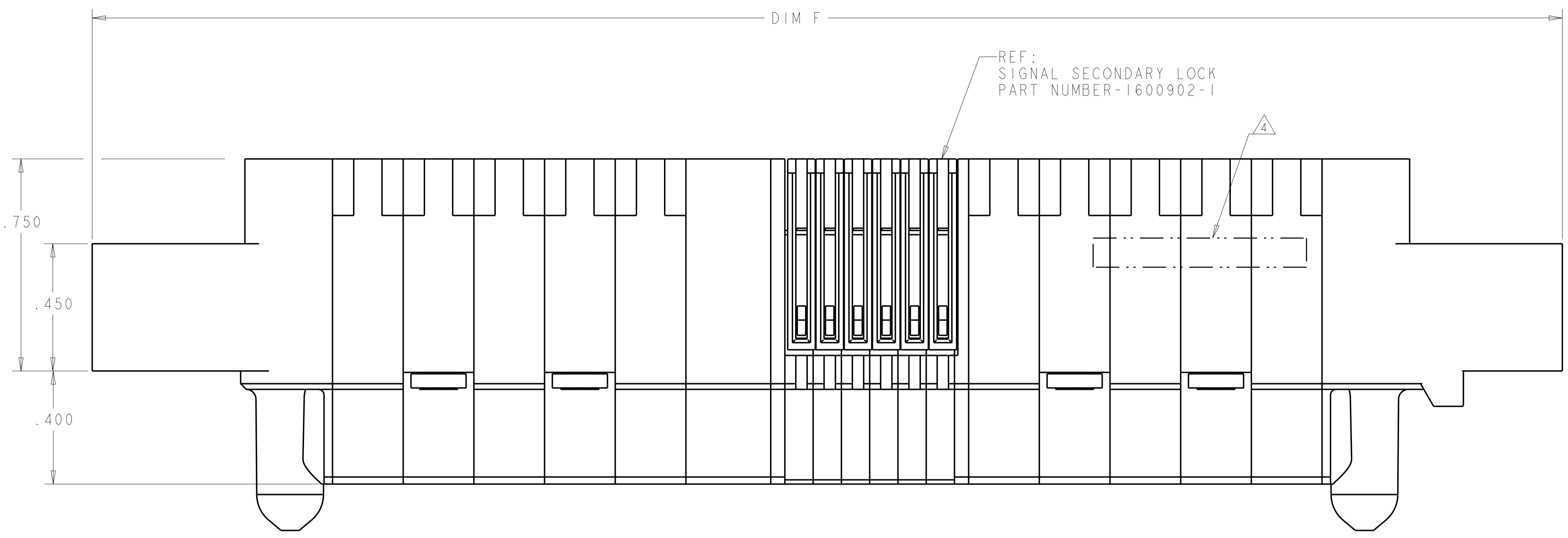
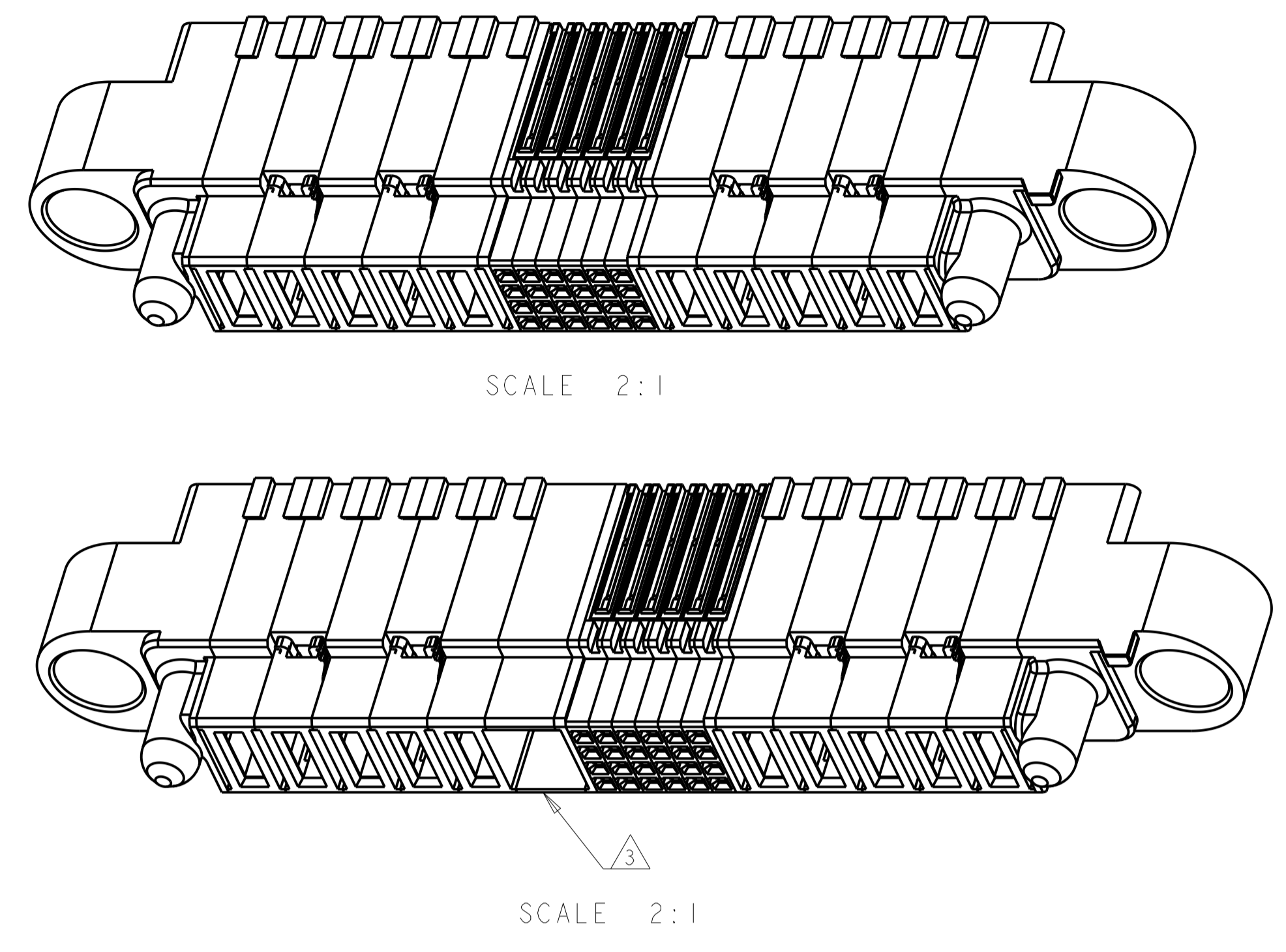
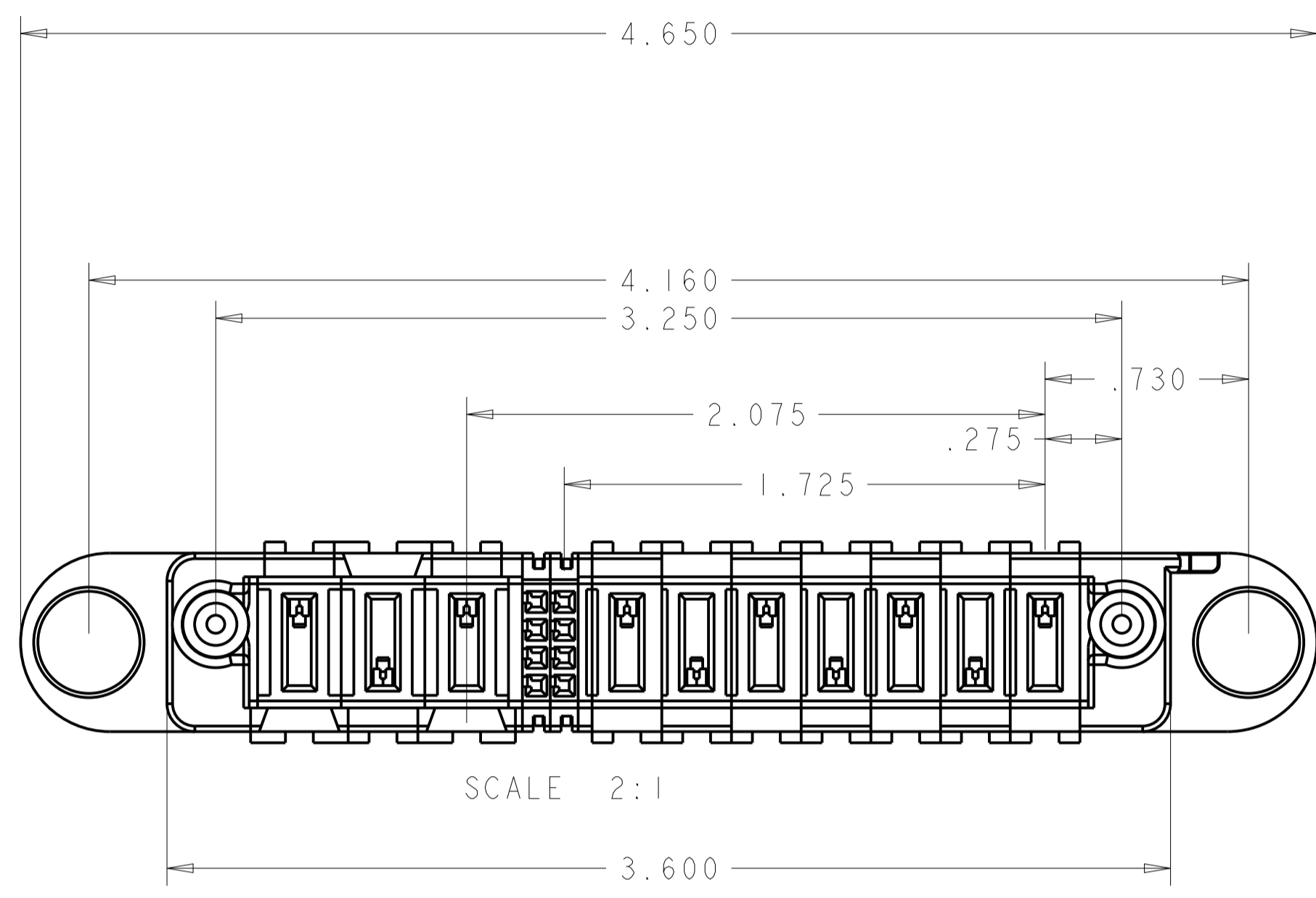


LOC	DIST	REVISIONS					
		P	LTH	DESCRIPTION	DATE	DWN	APVD
ES	00	L9		ADD NEW DASH NUMBER 3-7	02JUL2017	CZ	SZ



THIS DRAWING IS A CONTROLLED DOCUMENT.		DWN D. RINGLER 28JUL2003	TE Connectivity	
DIMENSIONS: INCHES		CHK M. CORRELL 29JUL2003	NAME PANEL MOUNT CABLE RECEPTACLE HOUSING, WITH GUIDES, MULTI-BEAM XL	
TOLERANCES UNLESS OTHERWISE SPECIFIED:		APVD	PRODUCT SPEC 108-2157	RESTRICTED TO
0 PLC ±	1 PLC ±.01	APPLICATION SPEC	SIZE A1	CAGE CODE C=1600636
2 PLC ±.005	3 PLC ±.005	114-13112	SCALE 4:1	SHEET 1 OF 5
4 PLC ±.0020	ANGLES ±.020	WEIGHT	CUSTOMER DRAWING	REV L9
MATERIAL	FINISH			



- ① DIM S IS CENTERLINE SPACING OF POWER MODULES ON RIGHT SIDE OF HOUSING.
- ② DIM T IS CENTERLINE SPACING OF POWER MODULES ON LEFT SIDE OF HOUSING.
- ③ OPTIONAL CENTER MODULE.
- ④ COMPANY TRADEMARK, PART NUMBER, AND DATE CODE TO BE MARKED IN AREA SHOWN PARTS UNDER 2.00 LONG MAY BE MARKED ON BOTH SIDES.
- ⑤ MATERIAL: THERMO PLASTIC, UL94 V-0.
- ⑥ DATUM LOCATIONS AND BASIC DIMENSIONS TO BE ESTABLISHED BY THE CUSTOMER.
- ⑦ BULKHEAD THICKNESS RANGE: .031 - .100
- ⑧ CONNECTOR MATED TO PANEL FROM OPPOSITE SIDE.
- ⑨ NO BURRS ALLOWED ON OPPOSITE (MATING) SIDE.
- ⑩ CONNECTOR KEEP OUT ZONE.
- ⑪ MOUNT CONNECTOR WITH TYCO HARDWARE KIT (SEE TABLE) FOR .050 [1.27mm] MIN RADIAL FLOAT.
- ⑫ VARIABLE DIMENSIONS SHOWN ON VIEW (SHEET 3).
- ⑬ NOT RELEASE FOR PRODUCTION
- 14. HARDWARE KIT P/N SOLD SEPARATELY

KIT P/N	CENTER MODULE	DIM W	DIM U	DIM T	DIM S	DIM R	DIM L	DIM K	DIM F	DIM E	DESCRIPTION	PART NUMBER
1600914-1	NO	.675	1.700	-	-	1.600	2.050	.450	3.100	2.610	1P + 32S + 1P	3-1600636-7
1600914-1	NO	.875	1.700	.250	.250	1.350	2.050	.450	3.100	2.610	2P + 16S + 2P	3-1600636-6
1600914-1	NO	.675	1.100	-	-	1.000	1.450	.450	2.500	2.010	1P + 8S + 1P	3-1600636-5
1600914-1	NO	1.325	3.000	.250	.300	1.650	3.350	.475	4.400	3.910	3ACP + 8S + 6P	3-1600636-4
1600000-1	NO	1.325	3.000	.300	.300	2.275	3.350	.475	4.400	3.910	3ACP + 32S + 3ACP	3-1600636-3
1600914-1	NO	1.725	3.250	.300	.250	2.075	3.600	.450	4.650	4.160	7P + 8S + 3ACP	2-1600636-9
1600914-1	NO	1.025	1.800	.300	.300	1.375	2.150	.475	3.200	2.710	2ACP + 8S + 2ACP	2-1600636-8
1600914-1	NO	1.325	3.250	.250	.300	1.650	3.600	.475	4.650	4.160	3ACP + 8S + 7P	2-1600636-7
1600000-1	NO	1.325	3.000	.300	.300	2.275	3.350	.475	4.400	3.910	3ACP + 32S + 3ACP	2-1600636-6
1600000-1	NO	1.025	2.200	.300	.300	1.775	2.550	.475	3.600	3.110	2ACP + 24S + 2ACP	2-1600636-5
⑬ 1600914-1	NO	1.175	2.300	.250	.250	1.700	2.650	.450	3.700	3.210	3P + 16S + 3P	2-1600636-4
⑬ 1600914-3	NO	2.225	4.800	.250	.300	2.950	5.150	.475	6.200	5.710	6ACP + 24S + 8P	2-1600636-3
⑬ 1600914-1	NO	1.425	3.200	.250	.250	2.350	3.550	.450	4.600	4.110	4P + 32S + 4P	2-1600636-2
1600914-1	NO	1.925	3.400	.300	.250	2.675	3.750	.450	4.800	4.310	6P + 24S + 3ACP	2-1600636-1
1600914-1	NO	.725	2.500	-	-	2.375	2.850	.475	3.900	3.410	1P + 60S + 1P	2-1600636-0
1600914-1	NO	1.875	3.450	⑫	⑫	2.775	3.800	.425	4.850	4.380	6P + 32S + 3 ACP	1-1600636-8
1600914-1	NO	1.925	2.600	.250	.250	2.250	2.950	.450	4.000	3.510	6P + 8S + 2P	1-1600636-7
1600914-3	NO	2.175	5.100	.250	.250	3.500	5.450	.450	6.500	6.010	7P + 48S + 7P	1-1600636-6
1600914-1	NO	1.425	3.000	.250	.250	2.150	3.350	.450	4.400	3.910	4P + 24S + 4P	1-1600636-5
1600914-1	NO	1.325	2.800	.300	.300	2.075	3.150	.475	4.200	3.710	3ACP + 24S + 3ACP	1-1600636-4
1600914-1	NO	.675	1.300	-	-	1.200	1.650	.450	2.700	2.210	1P + 16S + 1P	1-1600636-3
1600914-1	NO	1.425	3.000	.250	.250	2.150	3.350	.450	4.400	3.910	4P + 24S + 4P	1-1600636-2
1600914-1	NO	.700	1.575	-	-	1.425	1.925	.475	2.975	2.485	1P + 24S + 1P	1-1600636-1
1600914-1	NO	.925	1.800	.250	.250	1.450	2.150	.450	3.200	2.710	2P + 16S + 2P	1-1600636-0
1600914-1	NO	.700	1.575	-	-	1.425	1.925	.475	2.975	2.485	1P + 24S + 1P	1600636-9
1600914-1	NO	1.175	2.300	.250	.250	1.700	2.650	.450	3.700	3.210	3P + 16S + 3P	1600636-8
1600914-1	NO	1.425	2.500	.250	.250	2.150	2.850	.450	3.900	3.410	4P + 24S + 2P	1600636-7
1600914-3	NO	1.625	5.200	.250	.300	2.350	5.550	.475	6.600	6.110	4ACP + 24S + 12P	1600636-6
<del>1600914-1</del>	<del>NO</del>	<del>1.425</del>	<del>3.000</del>	<del>.250</del>	<del>.250</del>	<del>2.150</del>	<del>3.350</del>	<del>.450</del>	<del>4.400</del>	<del>3.910</del>	<del>4P + 24S + 4P</del>	<del>1600636-5</del>
1600914-1	NO	.925	2.500	.250	.250	2.150	2.850	.450	3.900	3.410	2P + 44S + 2P	1600636-4
1600914-1	NO	.750	1.675	-	-	1.525	2.025	.475	3.075	2.585	1P + 24S + 1P	1600636-3
1600914-1	NO	.925	2.000	.250	.250	1.650	2.350	.450	3.400	2.910	2P + 24S + 2P	1600636-2
1600914-3	NO	1.925	4.000	.300	.300	2.675	4.350	.475	5.400	4.910	5ACP + 24S + 5ACP	1600636-1

OBSOLETE

THIS DRAWING IS A CONTROLLED DOCUMENT.		OWN D. RINGLER 28 JUL 2003	 TE Connectivity
DIMENSIONS: INCHES		CHK M. CORRELL 29 JUL 2003	
TOLERANCES UNLESS OTHERWISE SPECIFIED:		APVD	NAME
0 PLC ±. 1 PLC ±.01 2 PLC ±.005 3 PLC ±.0025 4 PLC ±.0020 ANGLES ±.0020		PRODUCT SPEC 108-2157	PANEL MOUNT CABLE RECEPTACLE HOUSING, WITH GUIDES, MULTI-BEAM XL
MATERIAL: ⑥		FINISH:	SIZE: A1
WEIGHT:		CAGE CODE: 1600636	RESTRICTED TO:
CUSTOMER DRAWING		SCALE: 4:1	SHEET 2 OF 5

PART NUMBER	ROWS	POWER (L)					SIGNAL					POWER (R)					
		P10	P9	P8	P7	P6	6	5	4	3	2	1	P5	P4	P3	P2	P1
1600636-1	D C B A	RM	RM	RM	RM	RM	E	E	E	E	E	E	RA	RA	RA	RA	RA
5ACP + 24S + 5ACP																	

PART NUMBER	ROWS	POWER (L)			SIGNAL				POWER (R)		
		P6	P5	P4	4	3	2	1	P3	P2	P1
1600636-8	D C B A	RA	RA	RA	E	E	E	E	RM	RM	RM
3P + 16S + 3P											

PART NUMBER	ROWS	POWER (L)		SIGNAL						POWER (R)	
		P4	P3	6	5	4	3	2	1	P2	P1
1600636-2	D C B A	RM	RM	E	E	E	E	E	E	RA	RA
2P + 24S + 2P											

PART NUMBER	ROWS	POWER (L)	SIGNAL						POWER (R)	
		P2	6	5	4	3	2	1	P1	
1600636-9	D C B A	RA	E	E	E	E	E	E	RM	
1P + 24S + 1P										

PART NUMBER	ROWS	POWER (L)	SIGNAL						POWER (R)	
		P2	6	5	4	3	2	1	P1	
1600636-3	D C B A	RA	E	E	E	E	E	E	RA	
1P + 24S + 1P										

PART NUMBER	ROWS	POWER (L)		SIGNAL				POWER (R)			
		P4	P3	4	3	2	1	P2	P1		
1-1600636-0	D C B A	RA	RA	E	E	E	E	RM	RM		
2P + 16S + 2P											

PART NUMBER	ROWS	POWER (L)		SIGNAL										POWER (R)		
		P4	P3	11	10	9	8	7	6	5	4	3	2	1	P2	P1
1600636-4	D C B A	RM	RA	E	E	E	E	E	E	E	E	E	E	E	RA	RM
2P + 44S + 2P																

PART NUMBER	ROWS	POWER (L)	SIGNAL						POWER (R)	
		P2	6	5	4	3	2	1	P1	
1-1600636-1	D C B A	RM	E	E	E	E	E	E	RA	
1P + 24S + 1P										

PART NUMBER	ROWS	POWER (L)				SIGNAL						POWER (R)				
		P8	P7	P6	P5	6	5	4	3	2	1	P4	P3	P2	P1	
1600636-5	D C B A	RM	RA	RM	RA	E	E	E	E	E	E	RM	RA	RM	RA	
4P + 24S + 4P																

PART NUMBER	ROWS	POWER (L)				SIGNAL						POWER (R)				
		P8	P7	P6	P5	6	5	4	3	2	1	P4	P3	P2	P1	
1-1600636-2	D C B A	RM	RA	RM	RA	E	E	E	E	E	E	RM	RA	RM	RA	
4P + 24S + 4P																

PART NUMBER	ROWS	POWER (L)										SIGNAL						POWER (R)					
		P16	P15	P14	P13	P12	P11	P10	P9	P8	P7	P6	P5	6	5	4	3	2	1	P4	P3	P2	P1
1600636-6	D C B A	RA	RM	RA	RM	RA	RM	RA	RM	RA	RM	RA	RM	E	E	E	E	E	E	RA	RM	RA	RM
4ACP + 24S + 12P																							

PART NUMBER	ROWS	P(L)	SIGNAL				P(R)
		P2	4	3	2	1	P1
1-1600636-3	D C B A	RA	E	E	E	E	RM
1P + 16S + 1P							

PART NUMBER	ROWS	POWER (L)		SIGNAL						POWER (R)				
		P6	P5	6	5	4	3	2	1	P4	P3	P2	P1	
1600636-7	D C B A	RA	RM	E	E	E	E	E	E	RM	RA	RM	RA	
4P + 24S + 2P														

PART NUMBER	ROWS	POWER (L)			SIGNAL						POWER (R)		
		P6	P5	P4	6	5	4	3	2	1	P3	P2	P1
1-1600636-4	D C B A	RM	RM	RM	E	E	E	E	E	E	RA	RA	RA
3ACP + 24S + 3ACP													

RM	STANDARD POWER CONTACT
RA	MFBL POWER CONTACT
E	SIGNAL CONTACT
CODE	DESCRIPTION
CONTACT TABLE	

THIS DRAWING IS A CONTROLLED DOCUMENT.

OWN: D. RINGLER 28JUL2003  
 CHG: M. CORRELL 29JUL2003  
 APVD: \_\_\_\_\_

DIMENSIONS: INCHES  
 TOLERANCES UNLESS OTHERWISE SPECIFIED:  
 0 PLC ±.  
 1 PLC ±.01  
 2 PLC ±.01  
 3 PLC ±.005  
 4 PLC ±.0020  
 ANGLES ±.2°

MATERIAL: \_\_\_\_\_ FINISH: \_\_\_\_\_

PRODUCT SPEC: 108-2157  
 APPLICATION SPEC: 114-13112  
 WEIGHT: \_\_\_\_\_

SCALE: 4:1 SHEET 3 OF 5 REV: 9

CUSTOMER DRAWING

STE TE Connectivity  
 NAME: PANEL MOUNT CABLE RECEPTACLE HOUSING, WITH GUIDES, MULTI-BEAM XL  
 SIZE: A1 CAGE CODE: DRAWING NO: C=1600636

PART NUMBER	ROWS	POWER				SIGNAL						POWER			
		P8	P7	P6	P5	6	5	4	3	2	1	P4	P3	P2	P1
I-1600636-5	D C B A	RA	RA	RM	RA	E	E	E	E	E	E	RM	RA	RA	RA
		RA	RA	RM	RA	E	E	E	E	E	E	RM	RA	RA	RA
		RA	RA	RM	RA	E	E	E	E	E	E	RM	RA	RA	RA
		RA	RA	RM	RA	E	E	E	E	E	E	RM	RA	RA	RA
4P + 24S + 4P															

PART NUMBER	ROWS	POWER			SIGNAL						POWER					
		P9	P8	P7	6	5	4	3	2	1	P6	P5	P4	P3	P2	P1
2-1600636-1	D C B A	RA	RA	RA	E	E	E	E	E	E	RM	RM	RM	RM	RM	RM
		RA	RA	RA	E	E	E	E	E	E	RM	RM	RM	RM	RM	RM
		RA	RA	RA	E	E	E	E	E	E	RM	RM	RM	RM	RM	RM
		RA	RA	RA	E	E	E	E	E	E	RM	RM	RM	RM	RM	RM
6P + 24S + 3ACP																

.300  
2 PLC  
.250  
5 PLC

PART NUMBER	ROWS	POWER						SIGNAL								POWER											
		P14	P13	P12	P11	P10	P9	P8	12	11	10	9	8	7	6	5	4	3	2	1	P7	P6	P5	P4	P3	P2	P1
I-1600636-6	D C B A	RM	RM	RM	RM	RM	RM	E	E	E	E	E	E	E	E	E	E	E	E	E	RA	RA	RA	RA	RA	RA	RA
		RM	RM	RM	RM	RM	RM	E	E	E	E	E	E	E	E	E	E	E	E	RA	RA	RA	RA	RA	RA	RA	
		RM	RM	RM	RM	RM	RM	E	E	E	E	E	E	E	E	E	E	E	E	RA	RA	RA	RA	RA	RA	RA	
		RM	RM	RM	RM	RM	RM	E	E	E	E	E	E	E	E	E	E	E	E	RA	RA	RA	RA	RA	RA	RA	
7P + 48S + 7P																											

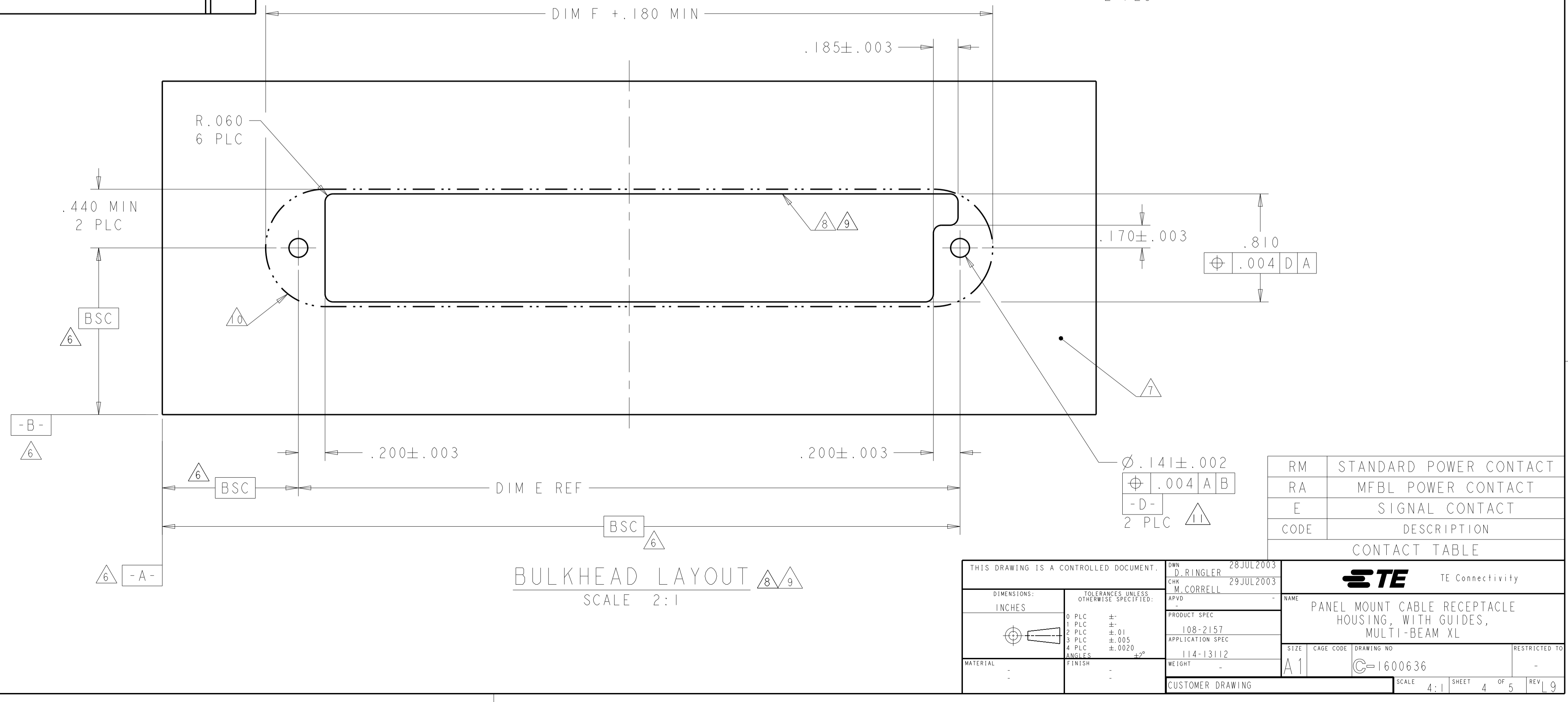
PART NUMBER	ROWS	POWER		SIGNAL										POWER					
		P2	P1	15	14	13	12	11	10	9	8	7	6	5	4	3	2	1	P1
2-1600636-0	D C B A	RM	RM	E	E	E	E	E	E	E	E	E	E	E	E	E	E	E	RM
		RM	RM	E	E	E	E	E	E	E	E	E	E	E	E	E	E	E	RM
		RM	RM	E	E	E	E	E	E	E	E	E	E	E	E	E	E	E	RM
		RM	RM	E	E	E	E	E	E	E	E	E	E	E	E	E	E	E	RM
IP + 60S + IP																			

PART NUMBER	ROWS	POWER		SIGNAL		POWER					
		P8	P7	2	1	P6	P5	P4	P3	P2	P1
I-1600636-7	D C B A	RM	RM	E	E	RM	RM	RM	RM	RM	RM
		RM	RM	E	E	RM	RM	RM	RM	RM	RM
		RM	RM	E	E	RM	RM	RM	RM	RM	RM
		RM	RM	E	E	RM	RM	RM	RM	RM	RM
6P + 8S + 2P											

PART NUMBER	ROWS	POWER			SIGNAL						POWER							
		P9	P8	P7	8	7	6	5	4	3	2	1	P6	P5	P4	P3	P2	P1
I-1600636-8	D C B A	RM	RM	RA	E	E	E	E	E	E	E	E	RM	RM	RM	RM	RM	RM
		RM	RM	RA	E	E	E	E	E	E	E	E	RM	RM	RM	RM	RM	RM
		RM	RM	RA	E	E	E	E	E	E	E	E	RM	RM	RM	RM	RM	RM
		RM	RM	RA	E	E	E	E	E	E	E	E	RM	RM	RM	RM	RM	RM
6P + 32S + 3ACP																		

.300  
2 PLC  
.250  
5 PLC

PART NUMBER	ROWS	POWER				SIGNAL						POWER				
		P8	P7	P6	P5	8	7	6	5	4	3	2	1	P4	P3	P2
2-1600636-2	D C B A	RA	RA	RM	RA	E	E	E	E	E	E	E	RM	RA	RA	RA
		RA	RA	RM	RA	E	E	E	E	E	E	E	RM	RA	RA	RA
		RA	RA	RM	RA	E	E	E	E	E	E	E	RM	RA	RA	RA
		RA	RA	RM	RA	E	E	E	E	E	E	E	RM	RA	RA	RA
4P + 32S + 4P																



HOUSING MODULE	CONTACT	INSULATION DIAMETER RANGE
.300	8-10 1600960 REF	[.176-.272]
.250	8-10 1600960 REF	[.176-.203]
	12-14 1600961 REF	[.156-.176]
.200	12-14 1600961 REF	[.120-.156]
.100	22-26 531216-5 REF	[.036-.069]

THIS DRAWING IS A CONTROLLED DOCUMENT. OWN: D. RINGLER 28 JUL 2003. CHG: M. CORRELL 29 JUL 2003. APVD: -

DIMENSIONS:	TOLERANCES UNLESS OTHERWISE SPECIFIED:
INCHES	0 PLC ±.01
	1 PLC ±.01
	2 PLC ±.005
	3 PLC ±.005
	4 PLC ±.0020
	ANGLES ±.020

PRODUCT SPEC	NAME
108-2157	PANEL MOUNT CABLE RECEPTACLE HOUSING, WITH GUIDES, MULTI-BEAM XL
APPLICATION SPEC	SIZE
114-13112	A1
WEIGHT	SCALE
-	4:1
CUSTOMER DRAWING	SHEET
-	4 OF 5

TE Connectivity  
C=1600636  
REV 19

PART NUMBER	ROWS	POWER							SIGNAL					POWER							
		P14	P13	P12	P11	P10	P9	P8	P7	6	5	4	3	2	1	P6	P5	P4	P3	P2	P1
2-1600636-3	D C B A	RM	RA						E	E	E	E	E	E	E	RA		RM	RM	RM	RM
6ACP + 24S + 8P																					

NO CONTACTS LOADED

PART NUMBER	ROWS	POWER (L)		SIGNAL		POWER (R)	
		P4	P3	2	1	P2	P1
2-1600636-8	D C B A	RA	RA	E	E	RA	RA
2ACP + 8S + 2ACP							

PART NUMBER	ROWS	POWER (L)			SIGNAL				POWER (R)		
		P6	P5	P4	4	3	2	1	P3	P2	P1
2-1600636-4	D C B A	RM	RM	RM	E	E	E	E	RM	RM	RM
3P + 16S + 3P											

PART NUMBER	ROWS	POWER			SIGNAL		POWER						
		P10	P9	P8	2	1	P7	P6	P5	P4	P3	P2	P1
2-1600636-9	D C B A	RM	RM	RM	E	E	RM	RM	RM	RM	RM	RM	RM
7P + 8S + 3ACP													

PART NUMBER	ROWS	POWER						SIGNAL		POWER		
		P9	P8	P7	P6	P5	P4	2	1	P3	P2	P1
3-1600636-4	D C B A	RM	RM	RM	RM	RM	RM	E	E	RM	RM	RM
3ACP + 8S + 6P												

PART NUMBER	ROWS	POWER (L)		SIGNAL					POWER (R)		
		P4	P3	6	5	4	3	2	1	P2	P1
2-1600636-5	D C B A	RA	RA	E	E	E	E	E	E	RA	RA
2ACP + 24S + 2ACP											

PART NUMBER	ROWS	POWER			SIGNAL							POWER			
		P6	P5	P4	8	7	6	5	4	3	2	1	P3	P2	P1
3-1600636-3	D C B A	RM	RM	RM	E	E	E	E	E	E	E	E	RA	RM	RM
3ACP + 32S + 3ACP															


PART NUMBER	ROWS	P(L)	SIGNAL		P(R)
		P2	2	1	P1
3-1600636-5	D C B A	RM	E	E	RM
1P + 8S + 1P					

PART NUMBER	ROWS	POWER			SIGNAL							POWER			
		P6	P5	P4	8	7	6	5	4	3	2	1	P3	P2	P1
2-1600636-6	D C B A	RA	RA	RA	E	E	E	E	E	E	E	E	RM	RM	RM
3ACP + 32S + 3ACP															

PART NUMBER	ROWS	POWER (L)		SIGNAL				POWER (R)	
		P4	P3	4	3	2	1	P2	P1
3-1600636-6	D C B A	RM	RA	E	E	E	E	RA	RM
2P + 16S + 2P									

PART NUMBER	ROWS	POWER						SIGNAL		POWER		
		P10	P9	P8	P7	P6	P5	P4	2	1	P3	P2
2-1600636-7	D C B A	RM	RM	RM	RM	RM	RM	E	E	RM	RM	RM
3ACP + 8S + 7P												

PART NUMBER	ROWS	POWER	SIGNAL							POWER
		P2	8	7	6	5	4	3	2	1
3-1600636-7	D C B A	RM	E	E	E	E	E	E	E	RM
1P + 32S + 1P										

THIS DRAWING IS A CONTROLLED DOCUMENT.		OWN: D. RINGLER 28JUL2003	 TE Connectivity
DIMENSIONS: INCHES		CHK: M. CORRELL 29JUL2003	
TOLERANCES UNLESS OTHERWISE SPECIFIED:		APVD:	NAME: PANEL MOUNT CABLE RECEPTACLE HOUSING, WITH GUIDES, MULTI-BEAM XL
0 PLC ±. 1 PLC ±.01 2 PLC ±.01 3 PLC ±.005 4 PLC ±.0020 ANGLES ±.2°		PRODUCT SPEC: 108-2157	SIZE: A1
MATERIAL: FINISH:		APPLICATION SPEC: 114-13112	RESTRICTED TO:
		WEIGHT:	CAGE CODE: 1600636
		CUSTOMER DRAWING	SCALE: 4:1 SHEET 5 OF 5 REV: 1.9

## Данный компонент на территории Российской Федерации

### Вы можете приобрести в компании MosChip.

Для оперативного оформления запроса Вам необходимо перейти по данной ссылке:

<http://moschip.ru/get-element>

Вы можете разместить у нас заказ для любого Вашего проекта, будь то серийное производство или разработка единичного прибора.

В нашем ассортименте представлены ведущие мировые производители активных и пассивных электронных компонентов.

Нашей специализацией является поставка электронной компонентной базы двойного назначения, продукции таких производителей как XILINX, Intel (ex.ALTERA), Vicor, Microchip, Texas Instruments, Analog Devices, Mini-Circuits, Amphenol, Glenair.

Сотрудничество с глобальными дистрибьюторами электронных компонентов, предоставляет возможность заказывать и получать с международных складов практически любой перечень компонентов в оптимальные для Вас сроки.

На всех этапах разработки и производства наши партнеры могут получить квалифицированную поддержку опытных инженеров.

Система менеджмента качества компании отвечает требованиям в соответствии с ГОСТ Р ИСО 9001, ГОСТ РВ 0015-002 и ЭС РД 009

### Офис по работе с юридическими лицами:

105318, г.Москва, ул.Щербаковская д.3, офис 1107, 1118, ДЦ «Щербаковский»

Телефон: +7 495 668-12-70 (многоканальный)

Факс: +7 495 668-12-70 (доб.304)

E-mail: [info@moschip.ru](mailto:info@moschip.ru)

Skype отдела продаж:

moschip.ru

moschip.ru\_4

moschip.ru\_6

moschip.ru\_9