

Main

Range of product	Preventa Safety automation
Product or component type	Preventa safety module
Safety module name	XPSECPE
Safety module application	Increasing the number of safety contacts
Function of module	Increasing the number of safety contacts
Safety level	Can reach PL e/category 4 conforming to EN/ISO 13849-1 can reach the maximum safety level of module base Can reach SILCL 3 conforming to EN/IEC 62061 can reach the maximum safety level of module base
Safety reliability data	DC = 0...99 % conforming to EN/ISO 13849-1 MTTFd > 100 years conforming to EN/ISO 13849-1 PFHd = 2.47E-8 1/h conforming to EN/IEC 62061
Output type	Relay 8 NO, volt-free
[Us] rated supply voltage	24 V AC (- 15...10 %) 24 V DC (- 15...10 %)
Number of additional circuits	2 NC + 1 solid state output

Complementary

Supply frequency	50/60 Hz
Power consumption in VA	<= 4 VA
Input protection type	Internal, electronic
Breaking capacity	B300: holding 360 VA AC-15 relay output B300: inrush 3600 VA AC-15 relay output
Breaking capacity	20 mA / 24 V solid state output circuit 3 A/24 V - L/R = 50 ms, DC-13 for relay output
Output thermal current	6 A per relay relay output
[Ith] conventional free air thermal current	< 24 A for relay output
Associated fuse rating	6 A gG for relay output conforming to EN/IEC 60947-5-1, DIN VDE 0660 part 200
Minimum output current	10 mA relay output
Minimum output voltage	5 V for relay output
Response time on input open	<= 10 ms
[Ui] rated insulation voltage	300 V, degree of pollution 2 conforming to EN/IEC 60947-5-1, DIN VDE 0110 parts 1 & 2
[Uimp] rated impulse withstand voltage	4 kV overvoltage category III, conforming to EN/IEC 60947-5-1, DIN VDE 0110 parts 1 & 2
Local signalling	3 LEDs
Connections - terminals	Captive screw clamp terminals, clamping capacity: 1 x 0.2...1 x 2.5 mm ² solid cable without cable end Captive screw clamp terminals, clamping capacity: 1 x 0.2...1 x 2.5 mm ² flexible cable without cable end Captive screw clamp terminals, clamping capacity: 1 x 0.25...1 x 2.5 mm ² flexible cable with cable end, without bezel Captive screw clamp terminals, clamping capacity: 1 x 0.25...1 x 1.5 mm ² flexible cable with cable end, with bezel Captive screw clamp terminals, clamping capacity: 2 x 0.2...2 x 1 mm ² solid cable without cable end Captive screw clamp terminals, clamping capacity: 2 x 0.2...2 x 1 mm ² flexible cable without cable end Captive screw clamp terminals, clamping capacity: 2 x 0.25...2 x 1 mm ² flexible cable with cable end, without bezel Captive screw clamp terminals, clamping capacity: 2 x 0.5...2 x 1.5 mm ² flexible cable with cable end, with double bezel
Mounting support	35 mm symmetrical DIN rail
Product weight	1.21 lb(US) (0.55 kg)

The information provided in this documentation contains general descriptions and/or technical characteristics of the products contained herein. This documentation is not intended as a substitute for and is not to be used for determining suitability or reliability of these products for specific user applications. It is the duty of any such user or integrator to perform the appropriate and complete risk analysis, evaluation and testing of the products with respect to the relevant specific application or use thereof. Neither Schneider Electric Industries SAS nor any of its affiliates or subsidiaries shall be responsible or liable for misuse of the information contained herein.

Environment

standards	EN/IEC 60204-1 EN/IEC 60947-5-1
product certifications	CSA TÜV UL
IP degree of protection	IP20 (terminals) conforming to EN/IEC 60529 IP40 (enclosure) conforming to EN/IEC 60529
ambient air temperature for operation	-13...131 °F (-25...55 °C)
ambient air temperature for storage	-13...158 °F (-25...70 °C)

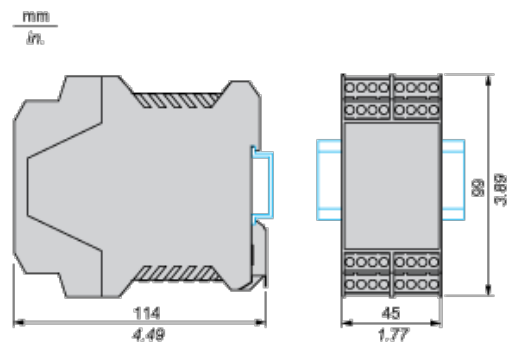
Offer Sustainability

WARNING: This product can expose you to chemicals including:	WARNING: This product can expose you to chemicals including:
Lead and lead compounds, which is known to the State of California to cause cancer and birth defects or other reproductive harm.	Lead and lead compounds, which is known to the State of California to cause cancer and birth defects or other reproductive harm.
For more information go to www.p65warnings.ca.gov	For more information go to www.p65warnings.ca.gov

Contractual warranty

Warranty period	18 months
-----------------	-----------

Dimensions



Данный компонент на территории Российской Федерации

Вы можете приобрести в компании MosChip.

Для оперативного оформления запроса Вам необходимо перейти по данной ссылке:

<http://moschip.ru/get-element>

Вы можете разместить у нас заказ для любого Вашего проекта, будь то серийное производство или разработка единичного прибора.

В нашем ассортименте представлены ведущие мировые производители активных и пассивных электронных компонентов.

Нашей специализацией является поставка электронной компонентной базы двойного назначения, продукции таких производителей как XILINX, Intel (ex.ALTERA), Vicor, Microchip, Texas Instruments, Analog Devices, Mini-Circuits, Amphenol, Glenair.

Сотрудничество с глобальными дистрибьюторами электронных компонентов, предоставляет возможность заказывать и получать с международных складов практически любой перечень компонентов в оптимальные для Вас сроки.

На всех этапах разработки и производства наши партнеры могут получить квалифицированную поддержку опытных инженеров.

Система менеджмента качества компании отвечает требованиям в соответствии с ГОСТ Р ИСО 9001, ГОСТ РВ 0015-002 и ЭС РД 009

Офис по работе с юридическими лицами:

105318, г.Москва, ул.Щербаковская д.3, офис 1107, 1118, ДЦ «Щербаковский»

Телефон: +7 495 668-12-70 (многоканальный)

Факс: +7 495 668-12-70 (доб.304)

E-mail: info@moschip.ru

Skype отдела продаж:

moschip.ru

moschip.ru_4

moschip.ru_6

moschip.ru_9