

FEATURES

- 100% Tested Low Voltage Noise:
 $2.7\text{nV}/\sqrt{\text{Hz}}$ Typ
 $4.2\text{nV}/\sqrt{\text{Hz}}$ Max
- Slew Rate: $4.5\text{V}/\mu\text{s}$ Typ
- Gain-Bandwidth Product: 12.5MHz Typ
- Offset Voltage,
 Prime Grade: $70\mu\text{V}$ Max
 Low Grade: $100\mu\text{V}$ Max
- High Voltage Gain: 5 Million Min
- Supply Current Per Amplifier: 2.75mA Max
- Common Mode Rejection: 112dB Min
- Power Supply Rejection: 116dB Min
- Available in 8-Pin SO Package

APPLICATIONS

- Two and Three Op Amp Instrumentation Amplifiers
- Low Noise Signal Processing
- Active Filters
- Microvolt Accuracy Threshold Detection
- Strain Gauge Amplifiers
- Direct Coupled Audio Gain Stages
- Tape Head Preamplifiers
- Infrared Detectors

DESCRIPTION

The **LT[®]1124** dual and **LT1125** quad are high performance op amps that offer higher gain, slew rate and bandwidth than the industry standard OP-27 and competing OP-270/OP-470 op amps. In addition, the LT1124/LT1125 have lower I_B and I_{OS} than the OP-27; lower V_{OS} and noise than the OP-270/OP-470.

In the design, processing and testing of the device, particular attention has been paid to the optimization of the entire distribution of several key parameters. Slew rate, gain bandwidth and 1kHz noise are 100% tested for each individual amplifier. Consequently, the specifications of even the lowest cost grades (the LT1124C and the LT1125C) have been spectacularly improved compared to equivalent grades of competing amplifiers.

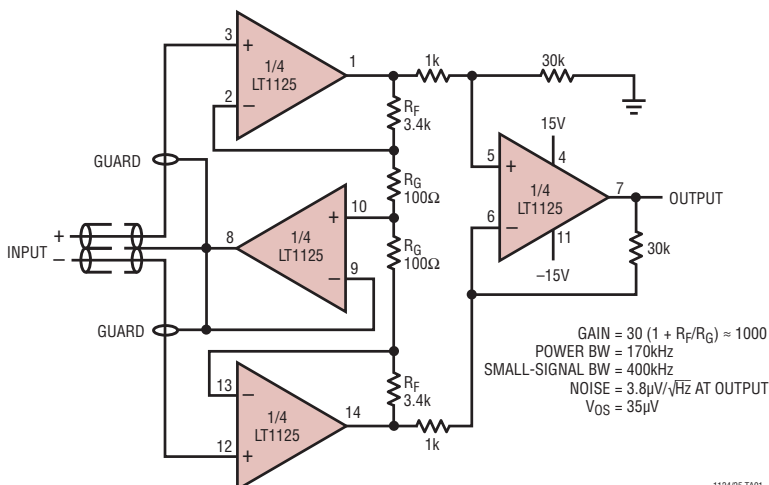
Power consumption of the LT1124 is one-half of two OP-27s. Low power and high performance in an 8-pin SO package make the LT1124 a first choice for surface mounted systems and where board space is restricted.

For a decompensated version of these devices, with three times higher slew rate and bandwidth, please see the LT1126/LT1127 data sheet.

LT, **LT**, **LTC**, **LTM**, Linear Technology and the Linear logo are registered trademarks of Linear Technology Corporation. All other trademarks are the property of their respective owners. Protected by U.S. Patents including 4775884, 4837496.

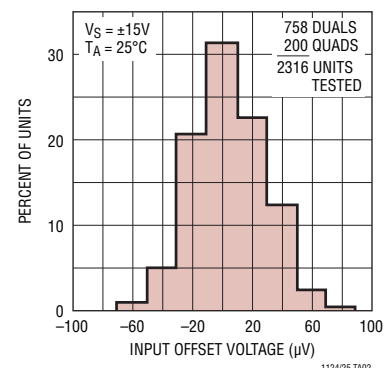
TYPICAL APPLICATION

Instrumentation Amplifier with Shield Driver



1124/25 TA01

Input Offset Voltage Distribution
 (All Packages, LT1124 and LT1125)



1124/25 TA02

LT1124/LT1125

ABSOLUTE MAXIMUM RATINGS

(Note 1)

Supply Voltage±22V
 Input VoltagesEqual to Supply Voltage
 Output Short-Circuit Duration Indefinite
 Differential Input Current (Note 6)±25mA
 Lead Temperature (Soldering, 10 sec)..... 300°C
 Storage Temperature Range -65°C to 150°C

Operating Temperature Range

LT1124AC/LT1124C

LT1125AC/LT1125C (Note 10) -40°C to 85°C

LT1124AI/LT1124I -40°C to 85°C

LT1124AMP/LT1125MP -55°C to 125°C

LT1124AM/LT1124M

LT1125AM/LT1125M

OBSOLETE..... -55°C to 125°C

PIN CONFIGURATION

| | | |
|--|---|--|
| <p>TOP VIEW</p> <p>8-LEAD PLASTIC SO</p> <p>$T_{JMAX} = 140^{\circ}C, \theta_{JA} = 190^{\circ}C/W$</p> <p>NOTE: THIS PIN CONFIGURATION DIFFERS FROM THE 8-PIN PDIP CONFIGURATION. INSTEAD, IT FOLLOWS THE ROTATED LT1013DS8 SO PACKAGE PIN LOCATIONS</p> | <p>TOP VIEW</p> <p>8-LEAD PLASTIC SO</p> <p>$T_{JMAX} = 150^{\circ}C, \theta_{JA} = 190^{\circ}C/W$</p> <p>OBSOLETE PINOUT</p> | <p>TOP VIEW</p> <p>8-LEAD PDIP</p> <p>$T_{JMAX} = 140^{\circ}C, \theta_{JA} = 130^{\circ}C/W$</p> <p>J8 PACKAGE 8-LEAD CERAMIC DIP $T_{JMAX} = 160^{\circ}C, \theta_{JA} = 100^{\circ}C/W$</p> <p>OBSOLETE PACKAGE Consider the N8 for Alternate Source</p> |
| <p>TOP VIEW</p> <p>16-LEAD PLASTIC SO WIDE</p> <p>$T_{JMAX} = 140^{\circ}C, \theta_{JA} = 130^{\circ}C/W$</p> | <p>TOP VIEW</p> <p>14-LEAD PDIP</p> <p>$T_{JMAX} = 140^{\circ}C, \theta_{JA} = 110^{\circ}C/W (N)$</p> <p>J PACKAGE 14-LEAD CERAMIC DIP $T_{JMAX} = 160^{\circ}C, \theta_{JA} = 80^{\circ}C/W$</p> <p>OBSOLETE PACKAGE Consider the N for Alternate Source</p> | |

11245ff

ORDER INFORMATION

| LEAD FREE FINISH | TAPE AND REEL | PART MARKING* | PACKAGE DESCRIPTION | SPECIFIED TEMPERATURE RANGE |
|-------------------------|---------------------|---------------|------------------------------------|-----------------------------|
| LT1124CS8#PBF | LT1124CS8#TRPBF | 1124 | 8-Lead Plastic SO, Rotated Pinout | 0°C to 70°C |
| LT1124AIS8#PBF | LT1124AIS8#TRPBF | 1124AI | 8-Lead Plastic SO, Rotated Pinout | -40°C to 85°C |
| LT1124IS8#PBF | LT1124IS8#TRPBF | 1124I | 8-Lead Plastic SO, Rotated Pinout | -40°C to 85°C |
| LT1124AMPS8#PBF | LT1124AMPS8#TRPBF | 124AMP | 8-Lead Plastic SO, Rotated Pinout | -55°C to 125°C |
| LT1124CS8-1#PBF | LT1124CS8-1#TRPBF | 11241 | 8-Lead Plastic SO, Standard Pinout | 0°C to 70°C |
| LT1124AIS8-1#PBF | LT1124AIS8-1#TRPBF | 11241 | 8-Lead Plastic SO, Standard Pinout | -40°C to 85°C |
| LT1124IS8-1#PBF | LT1124IS8-1#TRPBF | 11241 | 8-Lead Plastic SO, Standard Pinout | -40°C to 85°C |
| LT1124AMPS8-1#PBF | LT1124AMPS8-1#TRPBF | 11241 | 8-Lead Plastic SO, Standard Pinout | -55°C to 125°C |
| OBSOLETE PINOUT | | | | |
| LT1125CSW#PBF | LT1125CSW#TRPBF | LT1125CSW | 16-Lead Plastic SO Wide | 0°C to 70°C |
| LT1125MPSW | LT1125MPSW#TR | LT1125MPSW | 16-Lead Plastic SO Wide | -55°C to 125°C |
| LT1124ACN8#PBF | LT1124ACN8#TRPBF | LT1124ACN8 | 8-Lead PDIP | 0°C to 70°C |
| LT1124CN8#PBF | LT1124CN8#TRPBF | LT1124CN8 | 8-Lead PDIP | 0°C to 70°C |
| LT1125ACN#PBF | LT1125ACN#TRPBF | LT1125ACN | 14-Lead PDIP | 0°C to 70°C |
| LT1125CN#PBF | LT1125CN#TRPBF | LT1125CN | 14-Lead PDIP | 0°C to 70°C |
| LEAD BASED FINISH | TAPE AND REEL | PART MARKING* | PACKAGE DESCRIPTION | SPECIFIED TEMPERATURE RANGE |
| LT1124CS8 | LT1124CS8#TR | 1124 | 8-Lead Plastic SO, Rotated Pinout | 0°C to 70°C |
| LT1124AIS8 | LT1124AIS8#TR | 1124AI | 8-Lead Plastic SO, Rotated Pinout | -40°C to 85°C |
| LT1124IS8 | LT1124IS8#TR | 1124I | 8-Lead Plastic SO, Rotated Pinout | -40°C to 85°C |
| LT1125CSW | LT1125CSW#TR | LT1125CSW | 16-Lead Plastic SO Wide | 0°C to 70°C |
| LT1124ACN8 | LT1124ACN8#TR | LT1124ACN8 | 8-Lead PDIP | 0°C to 70°C |
| LT1124CN8 | LT1124CN8#TR | LT1124CN8 | 8-Lead PDIP | 0°C to 70°C |
| LT1125ACN | LT1125ACN#TR | LT1125ACN | 14-Lead PDIP | 0°C to 70°C |
| LT1125CN | LT1125CN#TR | LT1125CN | 14-Lead PDIP | 0°C to 70°C |
| LT1124CJ8 | LT1124CJ8#TR | LT1124CJ8 | 8-Lead CERAMIC DIP | 0°C to 70°C |
| LT1124AMJ8 | LT1124AMJ8#TR | LT1124AMJ8 | 8-Lead CERAMIC DIP | -55°C to 125°C |
| LT1124MJ8 | LT1124MJ8#TR | LT1124MJ8 | 8-Lead CERAMIC DIP | -55°C to 125°C |
| LT1125CJ | LT1125CJ#TR | LT1125CJ | 14-Lead CERAMIC DIP | 0°C to 70°C |
| LT1125AMJ | LT1125AMJ#TR | LT1125AMJ | 14-Lead CERAMIC DIP | -55°C to 125°C |
| LT1125MJ | LT1125MJ#TR | LT1125MJ | 14-Lead CERAMIC DIP | -55°C to 125°C |
| OBSOLETE PACKAGE | | | | |

Consult LTC Marketing for parts specified with wider operating temperature ranges. *The temperature grade is identified by a label on the shipping container.

For more information on lead free part marking, go to: <http://www.linear.com/leadfree/>

For more information on tape and reel specifications, go to: <http://www.linear.com/tapeandreeel/>

LT1124/LT1125

ELECTRICAL CHARACTERISTICS $T_A = 25^\circ\text{C}$, $V_S = \pm 15\text{V}$, unless otherwise noted.

| SYMBOL | PARAMETER | CONDITIONS (Note 2) | LT1124AC/AI/AM LT1125AC/AM | | | LT1124C/I/M LT1125C/M | | | UNITS |
|--|--|---|-------------------------------|------------|------------|--------------------------|------------|------------|--|
| | | | MIN | TYP | MAX | MIN | TYP | MAX | |
| V_{OS} | Input Offset Voltage | LT1124 LT1125 | | 20 25 | 70 90 | | 25 30 | 100 140 | μV μV |
| $\frac{\Delta V_{OS}}{\Delta \text{Time}}$ | Long-Term Input Offset Voltage Stability | | | 0.3 | | | 0.3 | | $\mu\text{V}/\text{Mo}$ |
| I_{OS} | Input Offset Current | LT1124 LT1125 | | 5 6 | 15 20 | | 6 7 | 20 30 | nA nA |
| I_B | Input Bias Current | | | ± 7 | ± 20 | | ± 8 | ± 30 | nA |
| e_n | Input Noise Voltage | 0.1Hz to 10Hz (Notes 8, 9) | | 70 | 200 | | 70 | | $\text{nV}_{\text{p-p}}$ |
| | Input Noise Voltage Density | $f_0 = 10\text{Hz}$ (Note 5) $f_0 = 1000\text{Hz}$ (Note 3) | | 3.0 2.7 | 5.5 4.2 | | 3.0 2.7 | 5.5 4.2 | $\text{nV}/\sqrt{\text{Hz}}$ $\text{nV}/\sqrt{\text{Hz}}$ |
| i_n | Input Noise Current Density | $f_0 = 10\text{Hz}$ $f_0 = 1000\text{Hz}$ | | 1.3 0.3 | | | 1.3 0.3 | | $\text{pA}/\sqrt{\text{Hz}}$ $\text{pA}/\sqrt{\text{Hz}}$ |
| V_{CM} | Input Voltage Range | | ± 12 | ± 12.8 | | ± 12 | ± 12.8 | | V |
| CMRR | Common Mode Rejection Ratio | $V_{CM} = \pm 12\text{V}$ | 112 | 126 | | 106 | 124 | | dB |
| PSRR | Power Supply Rejection Ratio | $V_S = \pm 4\text{V}$ to $\pm 18\text{V}$ | 116 | 126 | | 110 | 124 | | dB |
| A_{VOL} | Large-Signal Voltage Gain | $R_L \geq 10\text{k}$, $V_{OUT} = \pm 10\text{V}$ $R_L \geq 2\text{k}$, $V_{OUT} = \pm 10\text{V}$ | 5 2 | 17 4 | | 3.0 1.5 | 15 3 | | $\text{V}/\mu\text{V}$ $\text{V}/\mu\text{V}$ |
| V_{OUT} | Maximum Output Voltage Swing | $R_L \geq 2\text{k}$ | ± 13 | ± 13.8 | | ± 12.5 | ± 13.8 | | V |
| SR | Slew Rate | $R_L \geq 2\text{k}$ (Notes 3, 7) | 3 | 4.5 | | 2.7 | 4.5 | | $\text{V}/\mu\text{s}$ |
| GBW | Gain-Bandwidth Product | $f_0 = 100\text{kHz}$ (Note 3) | 9 | 12.5 | | 8 | 12.5 | | MHz |
| Z_O | Open-Loop Output Resistance | $V_{OUT} = 0$, $I_{OUT} = 0$ | | 75 | | | 75 | | Ω |
| I_S | Supply Current per Amplifier | | | 2.3 | 2.75 | | 2.3 | 2.75 | mA |
| | Channel Separation | $f \leq 10\text{Hz}$ (Note 9) $V_{OUT} = \pm 10\text{V}$, $R_L = 2\text{k}$ | 134 | 150 | | 130 | 150 | | dB |

The ● denotes the specifications which apply over the $-55^\circ\text{C} \leq T_A \leq 125^\circ\text{C}$ temperature range, $V_S = \pm 15\text{V}$, unless otherwise noted.

| SYMBOL | PARAMETER | CONDITIONS (Note 2) | LT1124AM LT1125AM | | | LT1124M LT1125M | | | UNITS |
|--|------------------------------------|---|----------------------|------------|------------|--------------------|------------|------------|--|
| | | | MIN | TYP | MAX | MIN | TYP | MAX | |
| V_{OS} | Input Offset Voltage | LT1124 LT1125 | ● | 50 55 | 170 190 | | 60 70 | 250 290 | μV μV |
| $\frac{\Delta V_{OS}}{\Delta \text{Temp}}$ | Average Input Offset Voltage Drift | (Note 5) | ● | 0.3 | 1.0 | | 0.4 | 1.5 | $\mu\text{V}/^\circ\text{C}$ |
| I_{OS} | Input Offset Current | LT1124 LT1125 | ● | 18 18 | 45 55 | | 20 20 | 60 70 | nA nA |
| I_B | Input Bias Current | | ● | ± 18 | ± 55 | | ± 20 | ± 70 | nA |
| V_{CM} | Input Voltage Range | | ● | ± 11.3 | ± 12 | | ± 11.3 | ± 12 | V |
| CMRR | Common Mode Rejection Ratio | $V_{CM} = \pm 11.3\text{V}$ | ● | 106 | 122 | | 100 | 120 | dB |
| PSRR | Power Supply Rejection Ratio | $V_S = \pm 4\text{V}$ to $\pm 18\text{V}$ | ● | 110 | 122 | | 104 | 120 | dB |
| A_{VOL} | Large-Signal Voltage Gain | $R_L \geq 10\text{k}$, $V_{OUT} = \pm 10\text{V}$ $R_L \geq 2\text{k}$, $V_{OUT} = \pm 10\text{V}$ | ● | 3 1 | 10 3 | | 2.0 0.7 | 10 2 | $\text{V}/\mu\text{V}$ $\text{V}/\mu\text{V}$ |
| V_{OUT} | Maximum Output Voltage Swing | $R_L \geq 2\text{k}$ | ● | ± 12.5 | ± 13.6 | | ± 12 | ± 13.6 | V |
| SR | Slew Rate | $R_L \geq 2\text{k}$ (Notes 3, 7) | ● | 2.3 | 3.8 | | 2 | 3.8 | $\text{V}/\mu\text{s}$ |
| I_S | Supply Current per Amplifier | | ● | 2.5 | 3.25 | | 2.5 | 3.25 | mA |

11245ff

ELECTRICAL CHARACTERISTICS The ● denotes the specifications which apply over the $0^{\circ}\text{C} \leq T_A \leq 70^{\circ}\text{C}$ temperature range, $V_S = \pm 15\text{V}$, unless otherwise noted.

| SYMBOL | PARAMETER | CONDITIONS (Note 2) | | LT1124AC LT1125AC | | | LT1124C LT1125C | | | UNITS |
|--|------------------------------------|---|--------|----------------------|------------|------------|--------------------|------------|--|-------|
| | | | | MIN | TYP | MAX | MIN | TYP | MAX | |
| V_{OS} | Input Offset Voltage | LT1124 LT1125 | ● ● | | 35 40 | 120 140 | 45 50 | 170 210 | μV μV | |
| $\frac{\Delta V_{OS}}{\Delta \text{Temp}}$ | Average Input Offset Voltage Drift | (Note 5) | ● | | 0.3 | 1 | 0.4 | 1.5 | $\mu\text{V}/^{\circ}\text{C}$ | |
| I_{OS} | Input Offset Current | LT1124 LT1125 | ● ● | | 6 7 | 25 35 | 7 8 | 35 45 | nA nA | |
| I_B | Input Bias Current | | ● | | ± 8 | ± 35 | ± 9 | ± 45 | nA | |
| V_{CM} | Input Voltage Range | | ● | ± 11.5 | ± 12.4 | | ± 11.5 | ± 12.4 | V | |
| CMRR | Common Mode Rejection Ratio | $V_{CM} = \pm 11.5\text{V}$ | ● | 109 | 125 | | 102 | 122 | dB | |
| PSRR | Power Supply Rejection Ratio | $V_S = \pm 4\text{V}$ to $\pm 18\text{V}$ | ● | 112 | 125 | | 107 | 122 | dB | |
| A_{VOL} | Large-Signal Voltage Gain | $R_L \geq 10\text{k}$, $V_{OUT} = \pm 10\text{V}$ $R_L \geq 2\text{k}$, $V_{OUT} = \pm 10\text{V}$ | ● ● | 4.0 1.5 | 15 3.5 | | 2.5 1.0 | 14 2.5 | $\text{V}/\mu\text{V}$ $\text{V}/\mu\text{V}$ | |
| V_{OUT} | Maximum Output Voltage Swing | $R_L \geq 2\text{k}$ | ● | ± 12.5 | ± 13.7 | | ± 12 | ± 13.7 | V | |
| SR | Slew Rate | $R_L \geq 2\text{k}$ (Notes 3, 7) | ● | 2.6 | 4 | | 2.4 | 4 | $\text{V}/\mu\text{s}$ | |
| I_S | Supply Current per Amplifier | | ● | | 2.4 | 3 | 2.4 | 3 | mA | |

The ● denotes the specifications which apply over the $-40^{\circ}\text{C} \leq T_A \leq 85^{\circ}\text{C}$ temperature range, $V_S = \pm 15\text{V}$, unless otherwise noted. (Note 10)

| SYMBOL | PARAMETER | CONDITIONS (Note 2) | | LT1124AC/AI LT1125AC | | | LT1124C/I LT1125C | | | UNITS |
|--|------------------------------------|---|--------|-------------------------|------------|------------|----------------------|------------|--|-------|
| | | | | MIN | TYP | MAX | MIN | TYP | MAX | |
| V_{OS} | Input Offset Voltage | LT1124 LT1125 | ● ● | | 40 45 | 140 160 | 50 55 | 200 240 | μV μV | |
| $\frac{\Delta V_{OS}}{\Delta \text{Temp}}$ | Average Input Offset Voltage Drift | (Note 5) | ● | | 0.3 | 1 | 0.4 | 1.5 | $\mu\text{V}/^{\circ}\text{C}$ | |
| I_{OS} | Input Offset Current | LT1124 LT1125 | ● ● | | 15 15 | 40 50 | 17 17 | 55 65 | nA nA | |
| I_B | Input Bias Current | | ● | | ± 15 | ± 50 | ± 17 | ± 65 | nA | |
| V_{CM} | Input Voltage Range | | ● | ± 11.4 | ± 12.2 | | ± 11.4 | ± 12.2 | V | |
| CMRR | Common Mode Rejection Ratio | $V_{CM} = \pm 11.4\text{V}$ | ● | 107 | 124 | | 101 | 121 | dB | |
| PSRR | Power Supply Rejection Ratio | $V_S = \pm 4\text{V}$ to $\pm 18\text{V}$ | ● | 111 | 124 | | 106 | 121 | dB | |
| A_{VOL} | Large-Signal Voltage Gain | $R_L \geq 10\text{k}$, $V_{OUT} = \pm 10\text{V}$ $R_L \geq 2\text{k}$, $V_{OUT} = \pm 10\text{V}$ | ● ● | 3.5 1.2 | 12 3.2 | | 2.2 0.8 | 12 2.3 | $\text{V}/\mu\text{V}$ $\text{V}/\mu\text{V}$ | |
| V_{OUT} | Maximum Output Voltage Swing | $R_L \geq 2\text{k}$ | ● | ± 12.5 | ± 13.6 | | ± 12 | ± 13.6 | V | |
| SR | Slew Rate | $R_L \geq 2\text{k}$ (Notes 3, 7) | ● | 2.4 | 3.9 | | 2.1 | 3.9 | $\text{V}/\mu\text{s}$ | |
| I_S | Supply Current per Amplifier | | ● | | 2.4 | 3.25 | 2.4 | 3.25 | mA | |

ELECTRICAL CHARACTERISTICS

Note 1: Stresses beyond those listed under Absolute Maximum Ratings may cause permanent damage to the device. Exposure to any Absolute Maximum Rating condition for extended periods may affect device reliability and lifetime.

Note 2: Typical parameters are defined as the 60% yield of parameter distributions of individual amplifiers; i.e., out of 100 LT1125s (or 100 LT1124s) typically 240 op amps (or 120) will be better than the indicated specification.

Note 3: This parameter is 100% tested for each individual amplifier.

Note 4: This parameter is sample tested only.

Note 5: This parameter is not 100% tested.

Note 6: The inputs are protected by back-to-back diodes. Current limiting resistors are not used in order to achieve low noise. If differential input

voltage exceeds $\pm 1.4V$, the input current should be limited to 25mA.

Note 7: Slew rate is measured in $A_V = -1$; input signal is $\pm 7.5V$, output measured at $\pm 2.5V$.

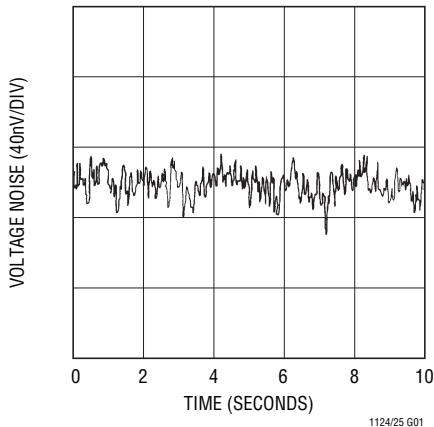
Note 8: 0.1Hz to 10Hz noise can be inferred from the 10Hz noise voltage density test. See the test circuit and frequency response curve for 0.1Hz to 10Hz tester in the Applications Information section of the LT1007 or LT1028 data sheets.

Note 9: This parameter is guaranteed but not tested.

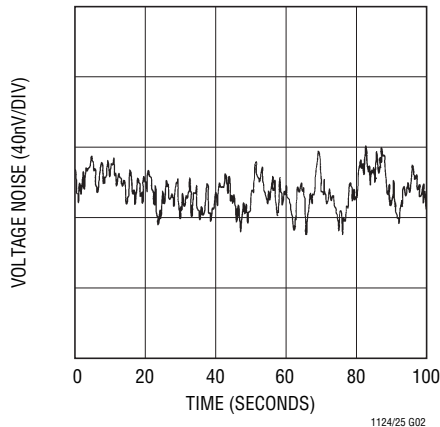
Note 10: The LT1124C/LT1125C and LT1124AC/LT1125AC are guaranteed to meet specified performance from $0^\circ C$ to $70^\circ C$ and are designed, characterized and expected to meet these extended temperature limits, but are not tested at $-40^\circ C$ and $85^\circ C$. The LT1124AI and LT1124I are guaranteed to meet the extended temperature limits.

TYPICAL PERFORMANCE CHARACTERISTICS

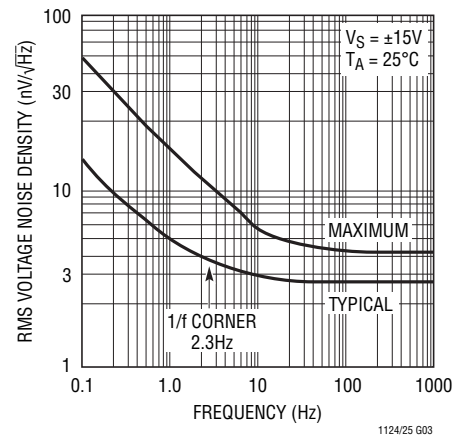
0.1Hz to 10Hz Voltage Noise



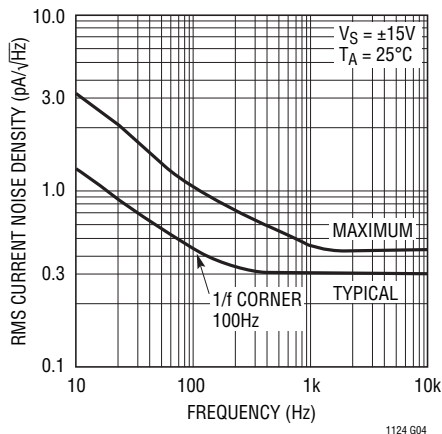
0.01Hz to 1Hz Voltage Noise



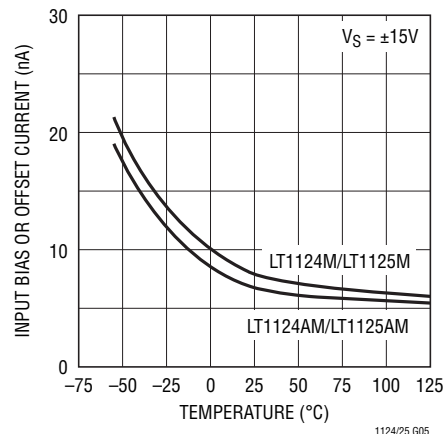
Voltage Noise vs Frequency



Current Noise vs Frequency

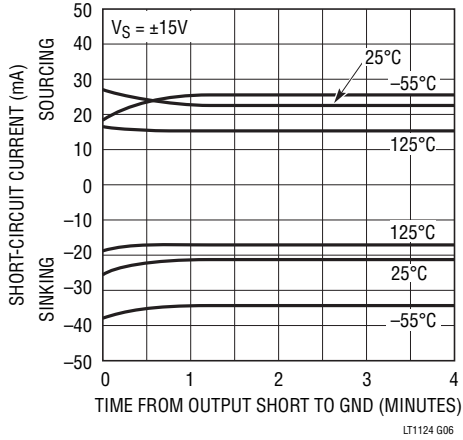


Input Bias or Offset Current vs Temperature

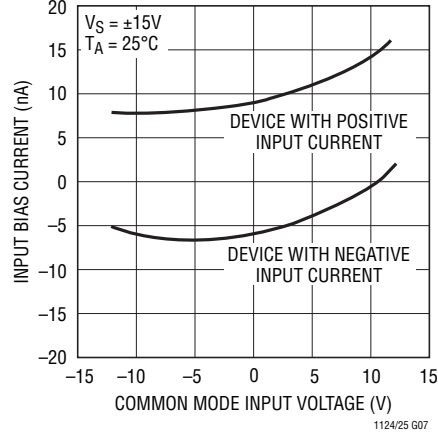


TYPICAL PERFORMANCE CHARACTERISTICS

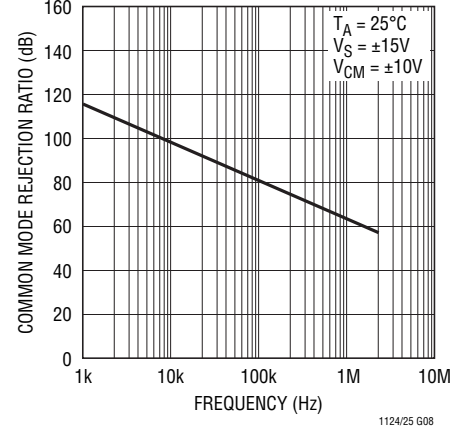
Output Short-Circuit Current vs Time



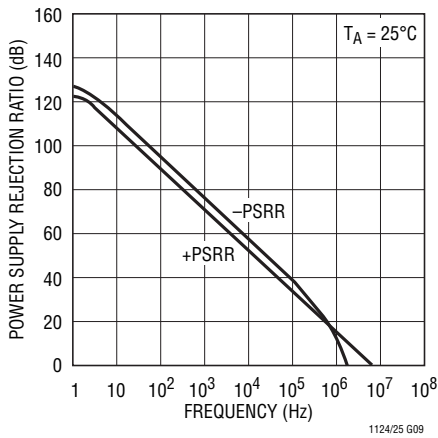
Input Bias Current Over the Common Mode Range



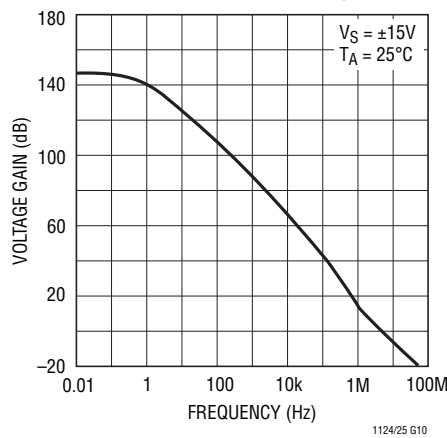
Common Mode Rejection Ratio vs Frequency



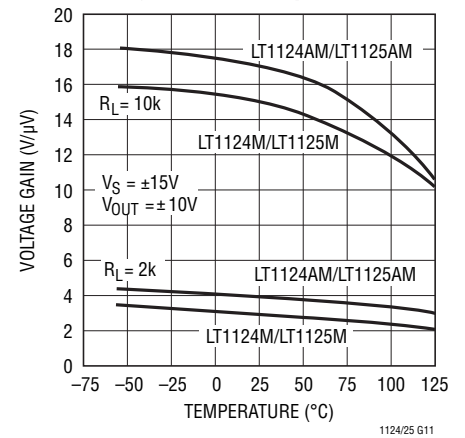
Power Supply Rejection Ratio vs Frequency



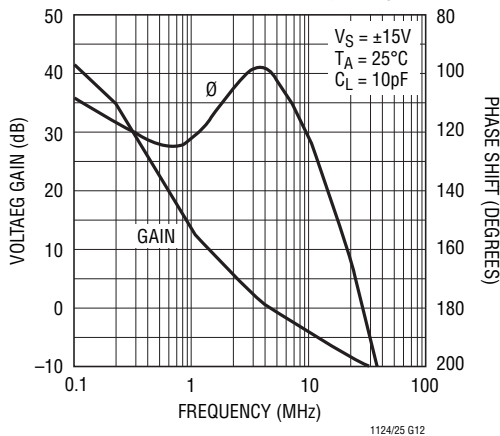
Voltage Gain vs Frequency



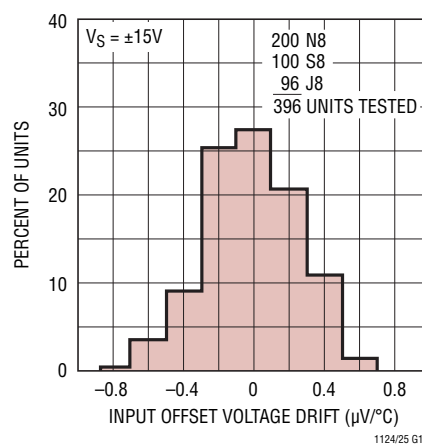
Voltage Gain vs Temperature



Gain, Phase Shift vs Frequency

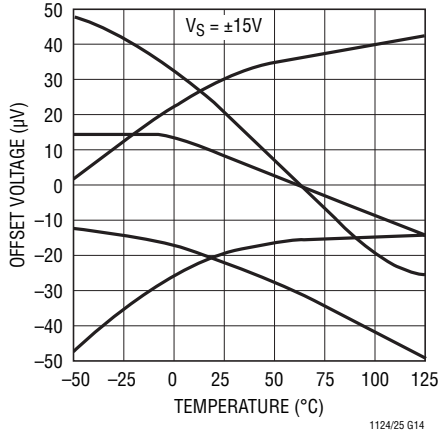


Input Offset Voltage Drift Distribution

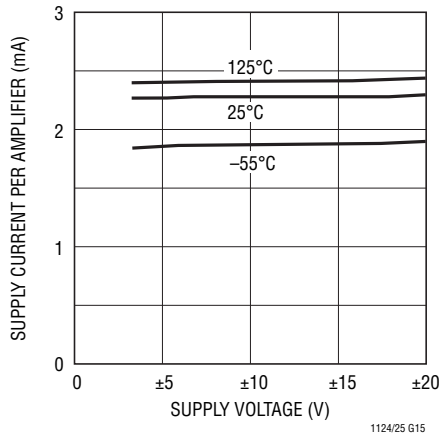


TYPICAL PERFORMANCE CHARACTERISTICS

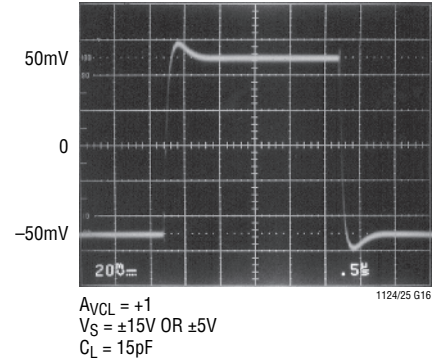
Offset Voltage Drift with Temperature of Representative Units



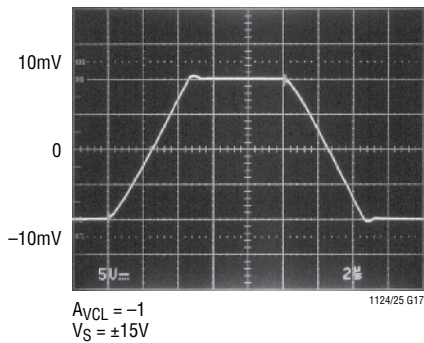
Supply Current vs Supply Voltage



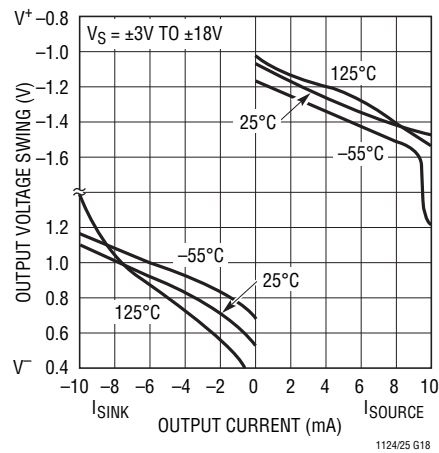
Small-Signal Transient Response



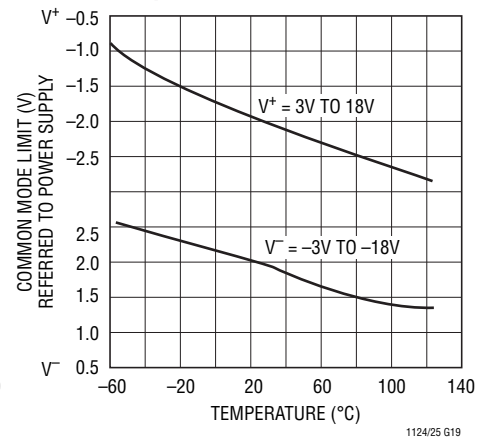
Large-Signal Transient Response



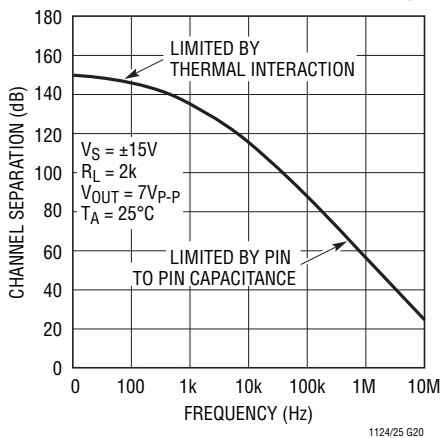
Output Voltage Swing vs Load Current



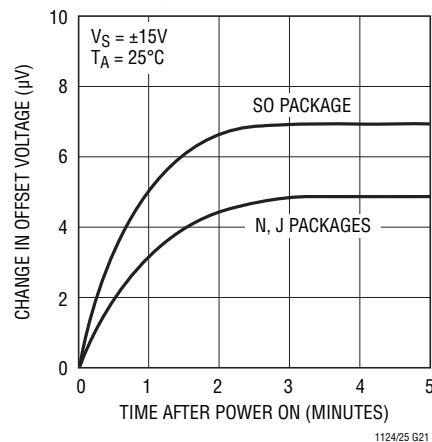
Common Mode Limit vs Temperature



Channel Separation vs Frequency

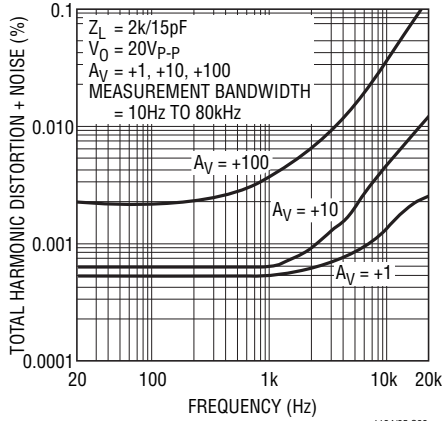


Warm-Up Drift

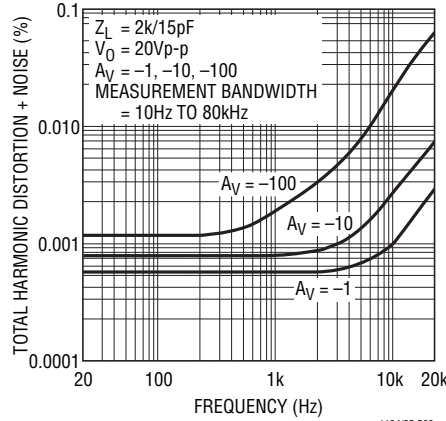


TYPICAL PERFORMANCE CHARACTERISTICS

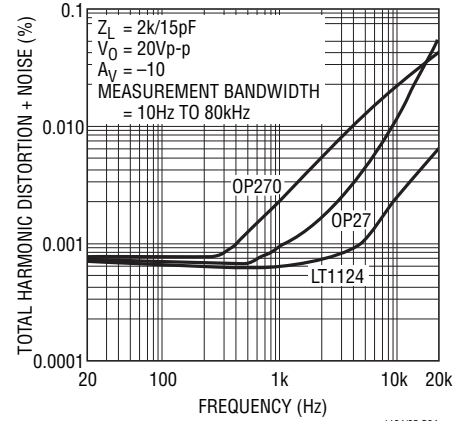
Total Harmonic Distortion and Noise vs Frequency for Noninverting Gain



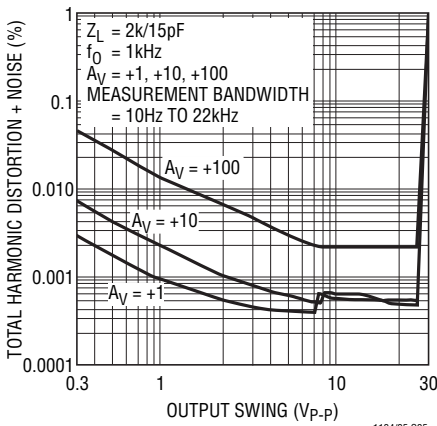
Total Harmonic Distortion and Noise vs Frequency for Inverting Gain



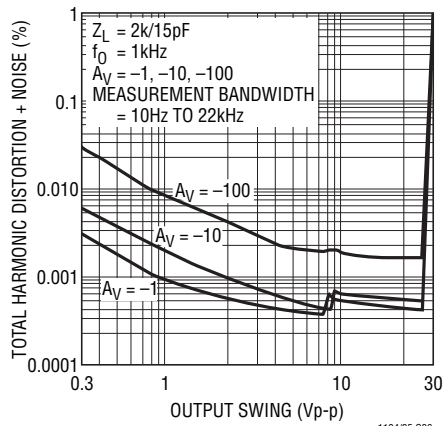
Total Harmonic Distortion and Noise vs Frequency for Competitive Devices



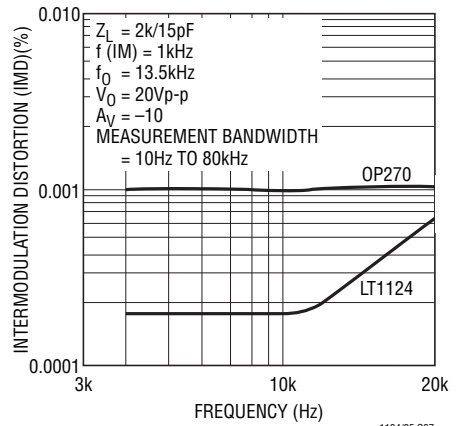
Total Harmonic Distortion and Noise vs Output Amplitude for Noninverting Gain



Total Harmonic Distortion and Noise vs Output Amplitude for Inverting Gain



Intermodulation Distortion (CCIF Method)* vs Frequency LT1124 and OP270



APPLICATIONS INFORMATION

The LT1124 may be inserted directly into OP-270 sockets. The LT1125 plugs into OP-470 sockets. Of course, all standard dual and quad bipolar op amps can also be replaced by these devices.

Matching Specifications

In many applications the performance of a system depends on the matching between two op amps, rather than the individual characteristics of the two devices. The three op amp instrumentation amplifier configuration shown in this data sheet is an example. Matching characteristics are not 100% tested on the LT1124/LT1125.

Some specifications are guaranteed by definition. For example, 70 μ V maximum offset voltage implies that mismatch cannot be more than 140 μ V. 112dB (= 2.5 μ V/V) CMRR means that worst-case CMRR match is 106dB

(5 μ V/V). However, Table 1 can be used to estimate the expected matching performance between the two sides of the LT1124, and between amplifiers A and D, and between amplifiers B and C of the LT1125.

Offset Voltage and Drift

Thermocouple effects, caused by temperature gradients across dissimilar metals at the contacts to the input terminals, can exceed the inherent drift of the amplifier unless proper care is exercised. Air currents should be minimized, package leads should be short, the two input leads should be close together and maintained at the same temperature.

The circuit shown in Figure 1 to measure offset voltage is also used as the burn-in configuration for the LT1124/LT1125, with the supply voltages increased to \pm 16V.

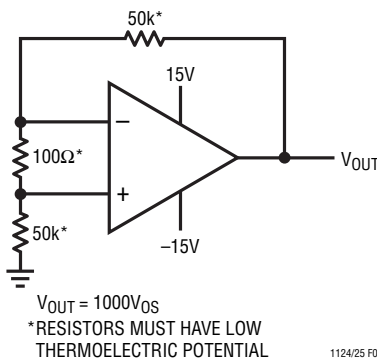


Figure 1. Test Circuit for Offset Voltage and Offset Voltage Drift with Temperature

Table 1. Expected Match

| PARAMETER | | LT1124AC/AM LT1125AC/AM | | LT1124C/M LT1125C/M | | UNITS |
|---------------------------------|--------|----------------------------|-----------|------------------------|-----------|-----------------------|
| | | 50% YIELD | 98% YIELD | 50% YIELD | 98% YIELD | |
| V_{OS} Match, ΔV_{OS} | LT1124 | 20 | 110 | 30 | 130 | μ V |
| | LT1125 | 30 | 150 | 50 | 180 | μ V |
| Temperature Coefficient Match | | 0.35 | 1.0 | 0.5 | 1.5 | μ V/ $^{\circ}$ C |
| Average Noninverting I_B | | 6 | 18 | 7 | 25 | nA |
| Match of Noninverting I_B | | 7 | 22 | 8 | 30 | nA |
| CMRR Match | | 126 | 115 | 123 | 112 | dB |
| PSRR Match | | 127 | 118 | 127 | 114 | dB |

APPLICATIONS INFORMATION

High Speed Operation

When the feedback around the op amp is resistive (R_F), a pole will be created with R_F , the source resistance and capacitance (R_S , C_S), and the amplifier input capacitance ($C_{IN} \approx 2\text{pF}$). In low closed loop gain configurations and with R_S and R_F in the kilohm range, this pole can create excess phase shift and even oscillation. A small capacitor (C_F) in parallel with R_F eliminates this problem (see Figure 2). With $R_S (C_S + C_{IN}) = R_F C_F$, the effect of the feedback pole is completely removed.

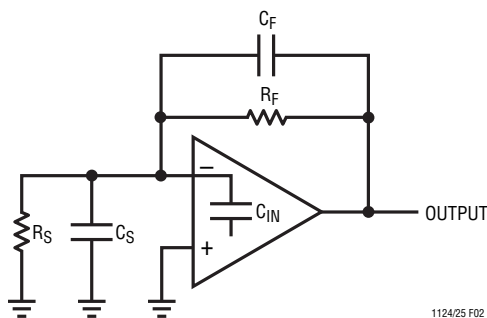


Figure 2. High Speed Operation

Unity Gain Buffer Applications

When $R_F \leq 100\Omega$ and the input is driven with a fast, large signal pulse ($>1\text{V}$), the output waveform will look as shown in Figure 3.

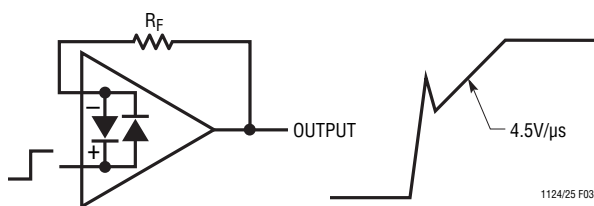


Figure 3. Unity-Gain Buffer Applications

During the fast feedthrough-like portion of the output, the input protection diodes effectively short the output to the input and a current, limited only by the output short circuit protection, will be drawn by the signal generator. With $R_F \geq 500\Omega$, the output is capable of handling the current requirements ($I_L \leq 20\text{mA}$ at 10V) and the amplifier stays in its active mode and a smooth transition will occur.

Noise Testing

Each individual amplifier is tested to $4.2\text{nV}/\sqrt{\text{Hz}}$ voltage noise; i.e., for the LT1124 two tests, for the LT1125 four tests are performed. Noise testing for competing multiple op amps, if done at all, may be sample tested or tested using the circuit shown in Figure 4.

$$e_{n \text{ OUT}} = \sqrt{(e_{nA})^2 + (e_{nB})^2 + (e_{nC})^2 + (e_{nD})^2}$$

If the LT1125 were tested this way, the noise limit would be $\sqrt{4 \cdot (4.2\text{nV}/\sqrt{\text{Hz}})^2} = 8.4\text{nV}/\sqrt{\text{Hz}}$. But is this an effective screen? What if three of the four amplifiers are at a typical $2.7\text{nV}/\sqrt{\text{Hz}}$, and the fourth one was contaminated and has $6.9\text{nV}/\sqrt{\text{Hz}}$ noise?

$$\text{RMS Sum} = \sqrt{(2.7)^2 + (2.7)^2 + (2.7)^2 + (6.9)^2} = 8.33\text{nV}/\sqrt{\text{Hz}}$$

This passes an $8.4\text{nV}/\sqrt{\text{Hz}}$ spec, yet one of the amplifiers is 64% over the LT1125 spec limit. Clearly, for proper noise measurement, the op amps have to be tested individually.

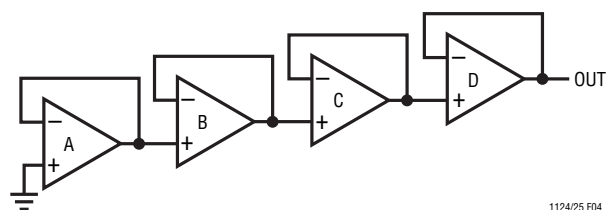


Figure 4. Competing Quad Op Amp Noise Test Method

LT1124/LT1125

PERFORMANCE COMPARISON

Table 2 summarizes the performance of the LT1124/LT1125 compared to the low cost grades of alternate approaches.

performance is degraded when compared to singles, for the LT1124/LT1125 this is not the case.

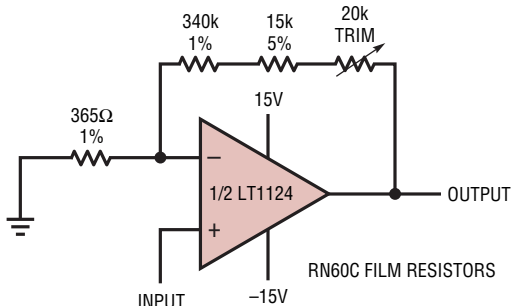
The comparison shows how the specs of the LT1124/LT1125 not only stand up to the industry standard OP-27, but in most cases are superior. Normally dual and quad

Table 2. Guaranteed Performance, $V_S = \pm 15V$, $T_A = 25^\circ C$, Low Cost Devices

| PARAMETER/UNITS | | LT1124CN8 LT1125CN | OP-27 GP | OP-270 GP | OP-470 GP | UNITS |
|------------------------------|--------|-----------------------|----------------------|---------------|----------------------|-----------------|
| Voltage Noise, 1kHz | | 4.2 100% Tested | 4.5 Sample Tested | – No Limit | 5.0 Sample Tested | nV/ \sqrt{Hz} |
| Slew Rate | | 2.7 100% Tested | 1.7 Not Tested | 1.7 | 1.4 | V/ μs |
| Gain-Bandwidth Product | | 8.0 100% Tested | 5.0 Not Tested | – No Limit | – No Limit | MHz |
| Offset Voltage | LT1124 | 100 | 100 | 250 | – | μV |
| | LT1125 | 140 | – | – | 1000 | μV |
| Offset Current | LT1124 | 20 | 75 | 20 | – | nA |
| | LT1125 | 30 | – | – | 30 | nA |
| Bias Current | | 30 | 80 | 60 | 60 | nA |
| Supply Current/Amp | | 2.75 | 5.67 | 3.25 | 2.75 | mA |
| Voltage Gain, $R_L = 2k$ | | 1.5 | 0.7 | 0.35 | 0.4 | V/ μV |
| Common Mode Rejection Ratio | | 106 | 100 | 90 | 100 | dB |
| Power Supply Rejection Ratio | | 110 | 94 | 104 | 105 | dB |
| SO-8 Package | | Yes – LT1124 | Yes | No | – | |

TYPICAL APPLICATIONS

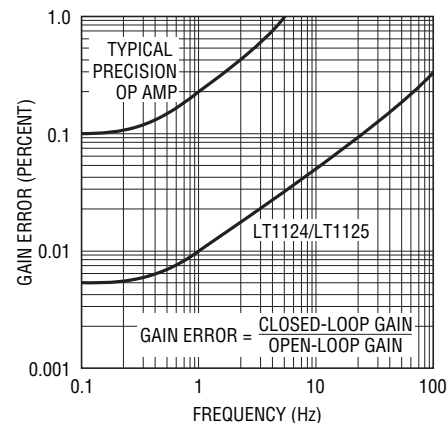
Gain 1000 Amplifier with 0.01% Accuracy, DC to 1Hz



THE HIGH GAIN AND WIDE BANDWIDTH OF THE LT1124/LT1125, IS USEFUL IN LOW FREQUENCY HIGH CLOSED-LOOP GAIN AMPLIFIER APPLICATIONS. A TYPICAL PRECISION OP AMP MAY HAVE AN OPEN-LOOP GAIN OF ONE MILLION WITH 500kHz BANDWIDTH. AS THE GAIN ERROR PLOT SHOWS, THIS DEVICE IS CAPABLE OF 0.1% AMPLIFYING ACCURACY UP TO 0.3Hz ONLY. EVEN INSTRUMENTATION RANGE SIGNALS CAN VARY AT A FASTER RATE. THE LT1124/LT1125 "GAIN PRECISION — BANDWIDTH PRODUCT" IS 75 TIMES HIGHER, AS SHOWN.

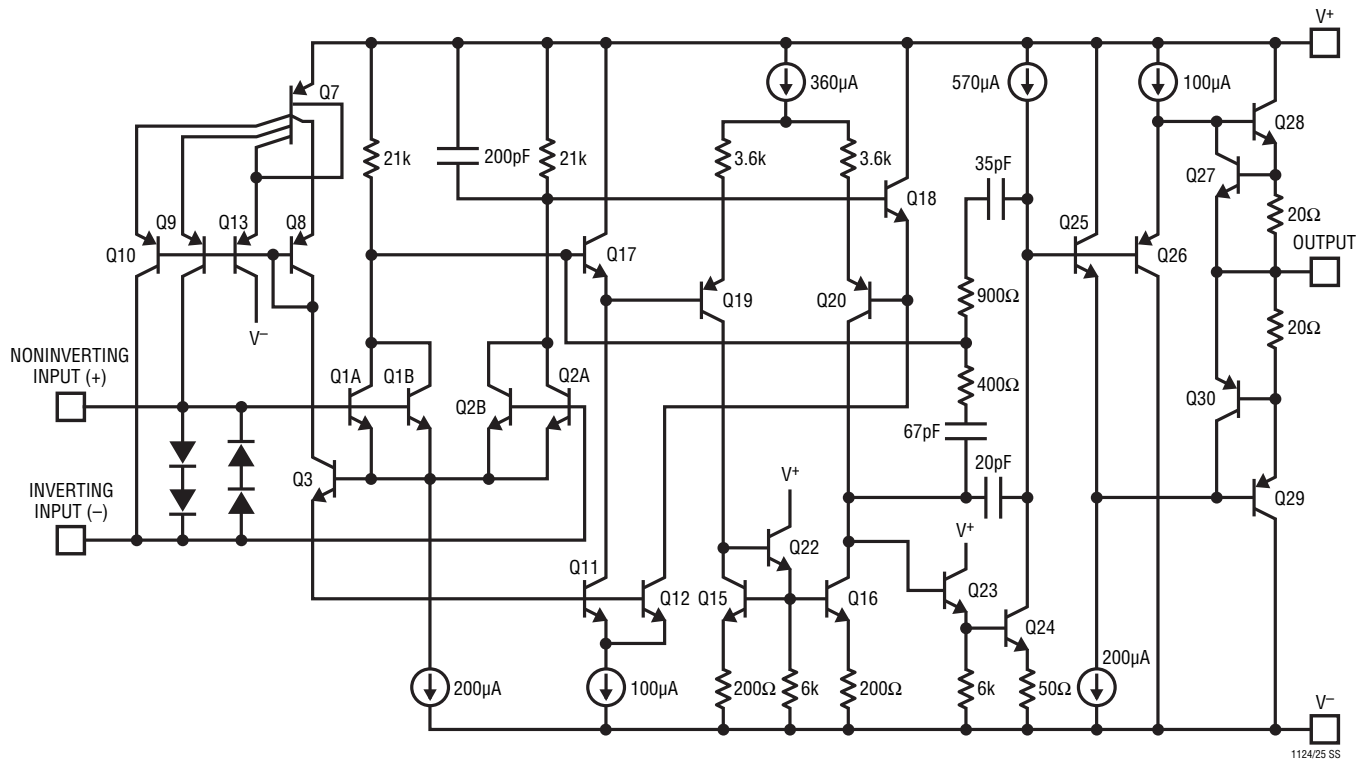
1124/25 TA03

Gain Error vs Frequency Closed-Loop Gain = 1000



1124/25 TA04

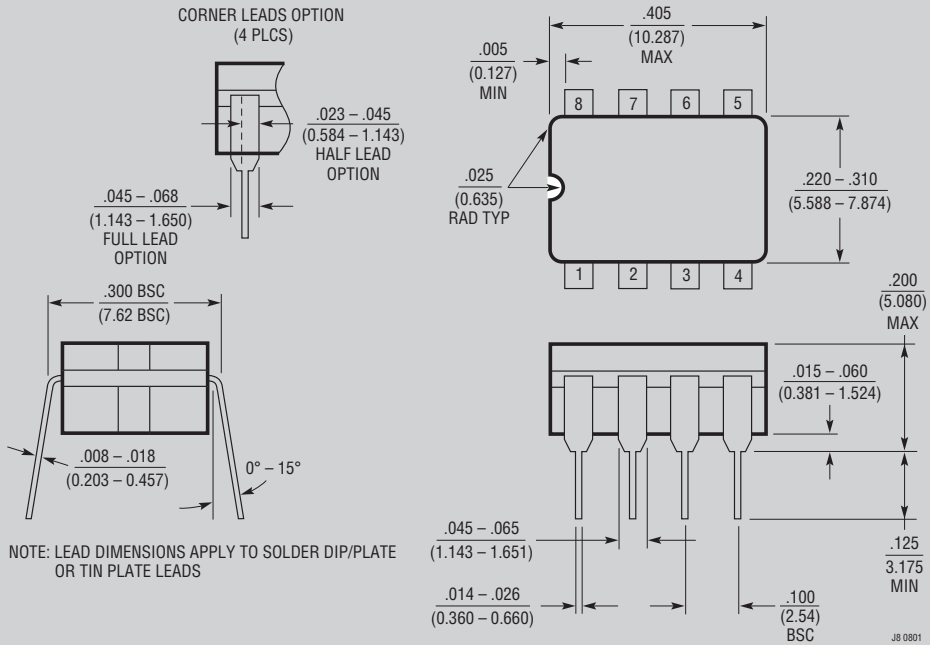
SCHEMATIC DIAGRAM (1/2 LT1124, 1/4 LT1125)



PACKAGE DESCRIPTION

Please refer to <http://www.linear.com/designtools/packaging/> for the most recent package drawings.

J8 Package 8-Lead CERDIP (Narrow .300 Inch, Hermetic) (Reference LTC DWG # 05-08-1110)

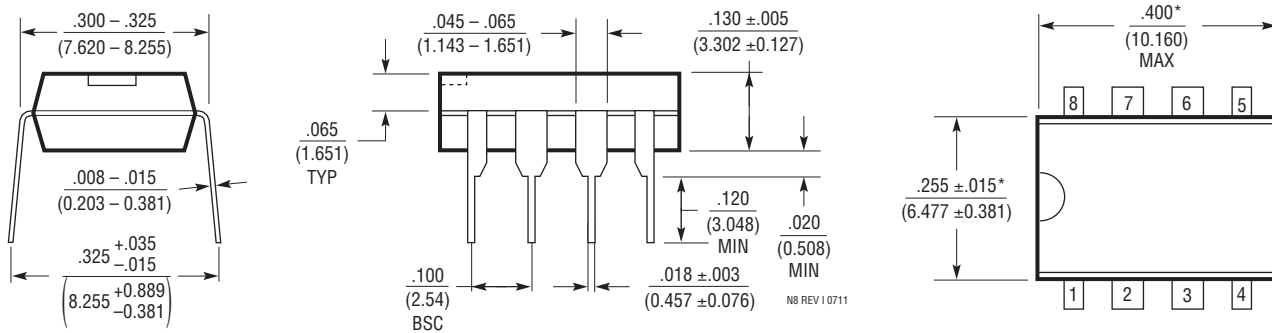


OBSOLETE PACKAGE

PACKAGE DESCRIPTION

Please refer to <http://www.linear.com/designtools/packaging/> for the most recent package drawings.

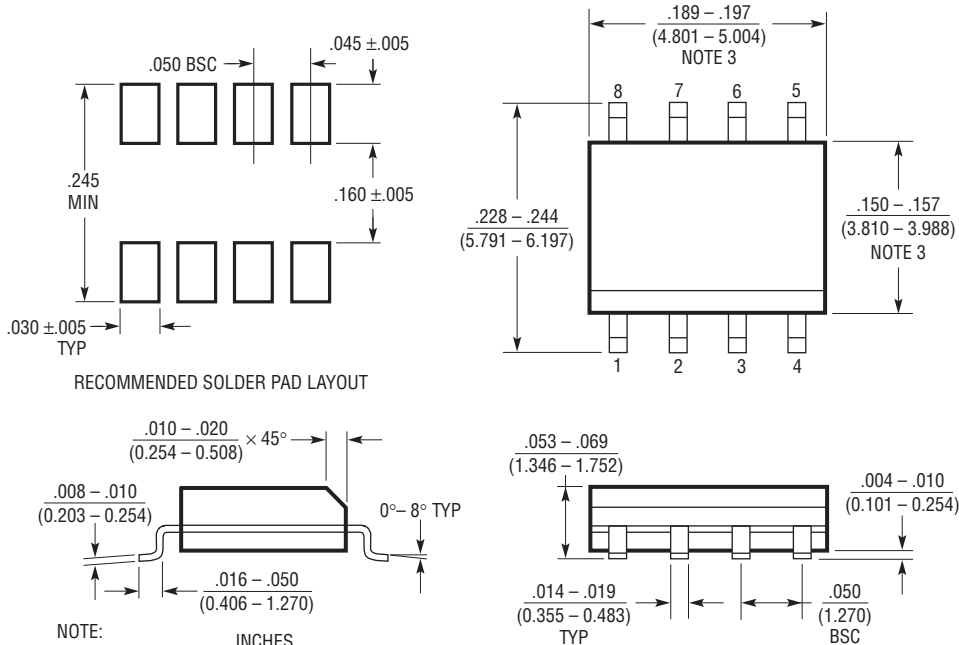
N8 Package 8-Lead PDIP (Narrow .300 Inch) (Reference LTC DWG # 05-08-1510 Rev I)



NOTE:
1. DIMENSIONS ARE $\frac{\text{INCHES}}{\text{MILLIMETERS}}$

*THESE DIMENSIONS DO NOT INCLUDE MOLD FLASH OR PROTRUSIONS.
MOLD FLASH OR PROTRUSIONS SHALL NOT EXCEED .010 INCH (0.254mm)

S8 Package 8-Lead Plastic Small Outline (Narrow .150 Inch) (Reference LTC DWG # 05-08-1610 Rev G)



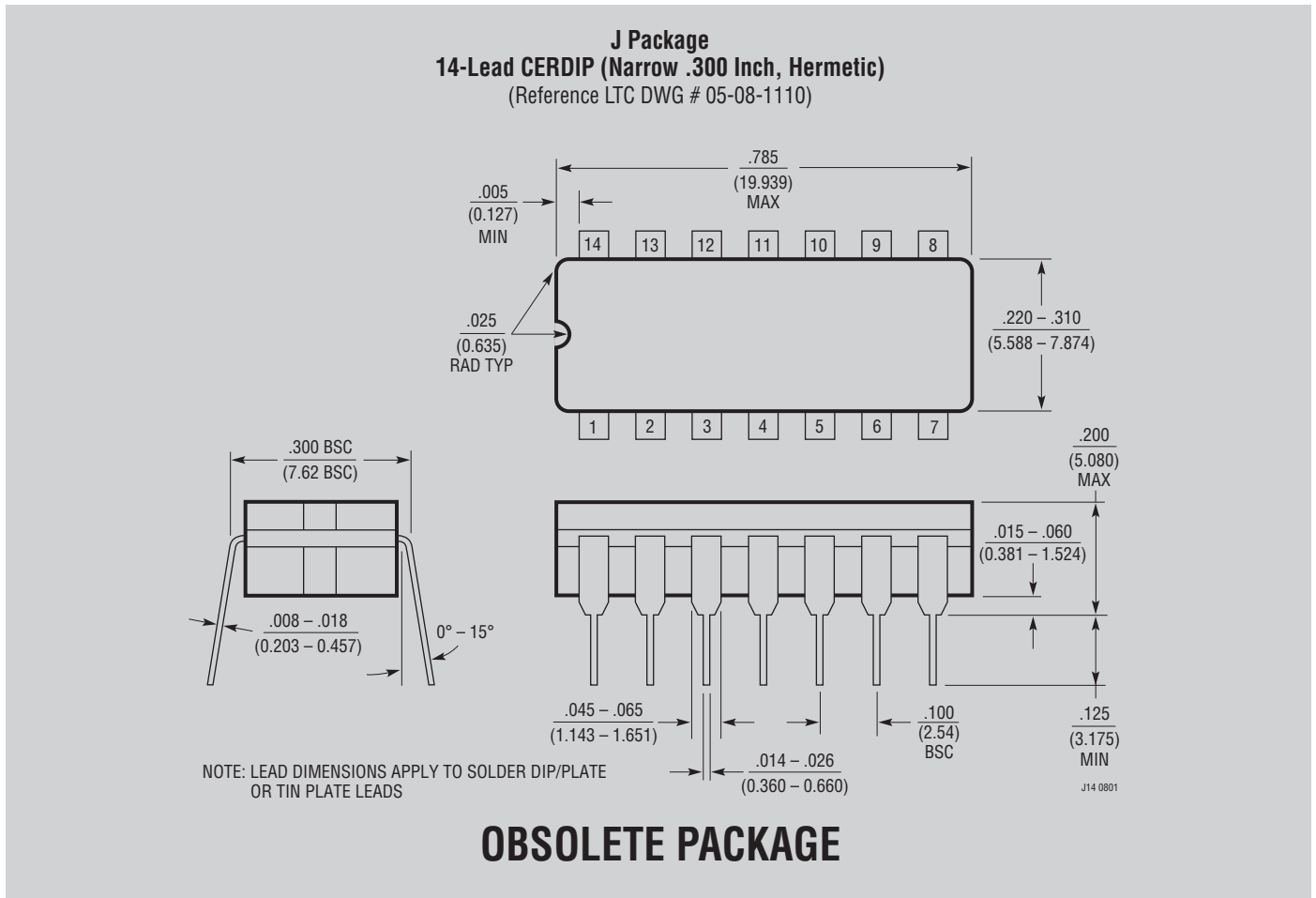
RECOMMENDED SOLDER PAD LAYOUT

NOTE:
1. DIMENSIONS IN $\frac{\text{INCHES}}{\text{MILLIMETERS}}$
2. DRAWING NOT TO SCALE
3. THESE DIMENSIONS DO NOT INCLUDE MOLD FLASH OR PROTRUSIONS.
MOLD FLASH OR PROTRUSIONS SHALL NOT EXCEED .006" (0.15mm)
4. PIN 1 CAN BE BEVEL EDGE OR A DIMPLE

S08 REV G 0212

PACKAGE DESCRIPTION

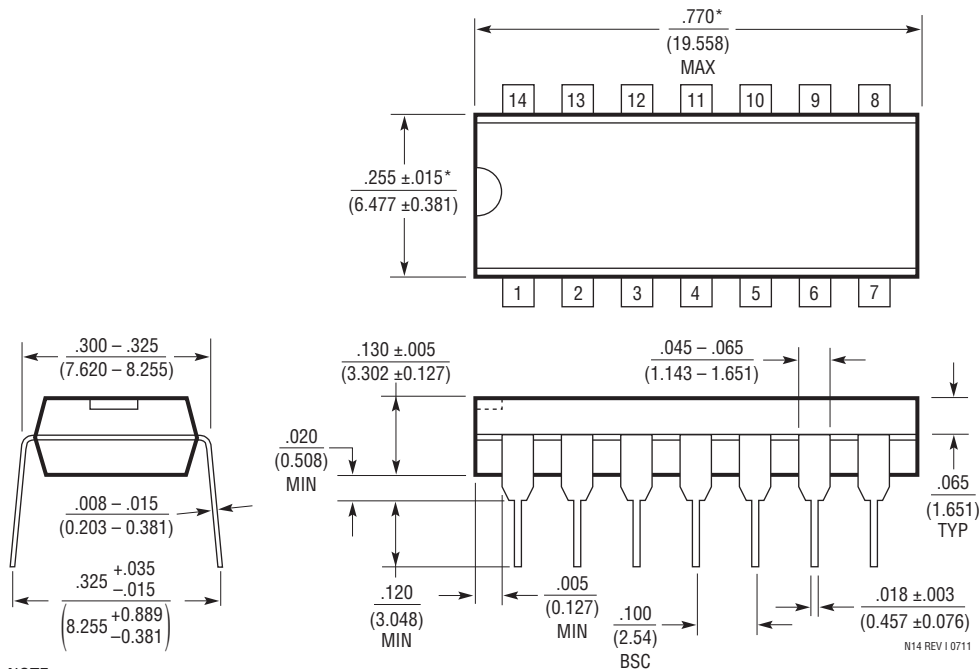
Please refer to <http://www.linear.com/designtools/packaging/> for the most recent package drawings.



PACKAGE DESCRIPTION

Please refer to <http://www.linear.com/designtools/packaging/> for the most recent package drawings.

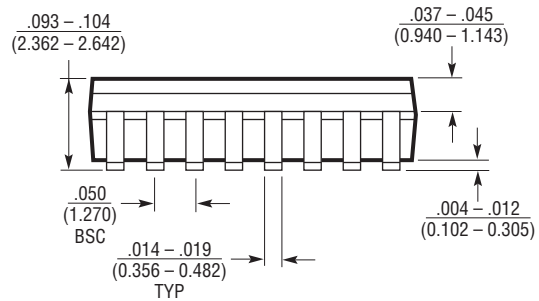
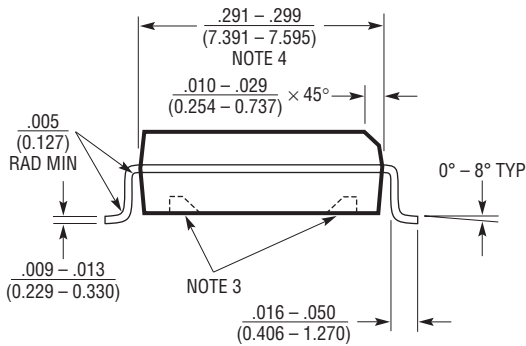
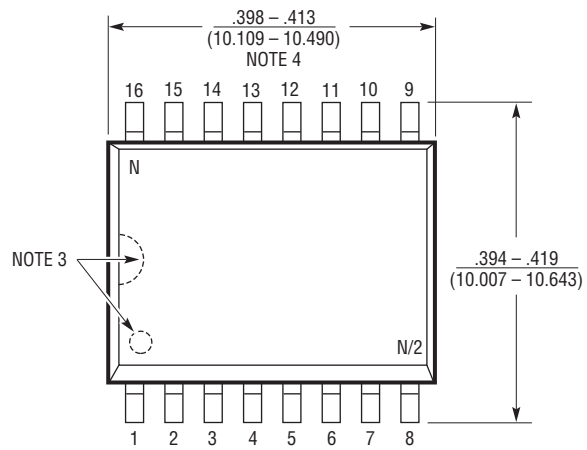
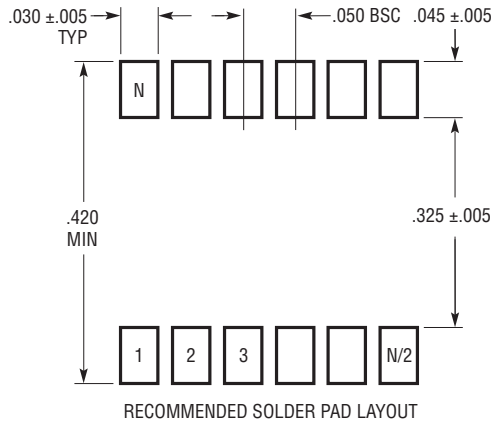
N Package
14-Lead PDIP (Narrow .300 Inch)
 (Reference LTC DWG # 05-08-1510 Rev I)



PACKAGE DESCRIPTION

Please refer to <http://www.linear.com/designtools/packaging/> for the most recent package drawings.

SW Package 16-Lead Plastic Small Outline (Wide .300 Inch) (Reference LTC DWG # 05-08-1620)



- NOTE:
1. DIMENSIONS IN $\frac{\text{INCHES}}{\text{(MILLIMETERS)}}$
 2. DRAWING NOT TO SCALE
 3. PIN 1 IDENT, NOTCH ON TOP AND CAVITIES ON THE BOTTOM OF PACKAGES ARE THE MANUFACTURING OPTIONS. THE PART MAY BE SUPPLIED WITH OR WITHOUT ANY OF THE OPTIONS
 4. THESE DIMENSIONS DO NOT INCLUDE MOLD FLASH OR PROTRUSIONS. MOLD FLASH OR PROTRUSIONS SHALL NOT EXCEED .006" (0.15mm)

S16 (WIDE) 0502

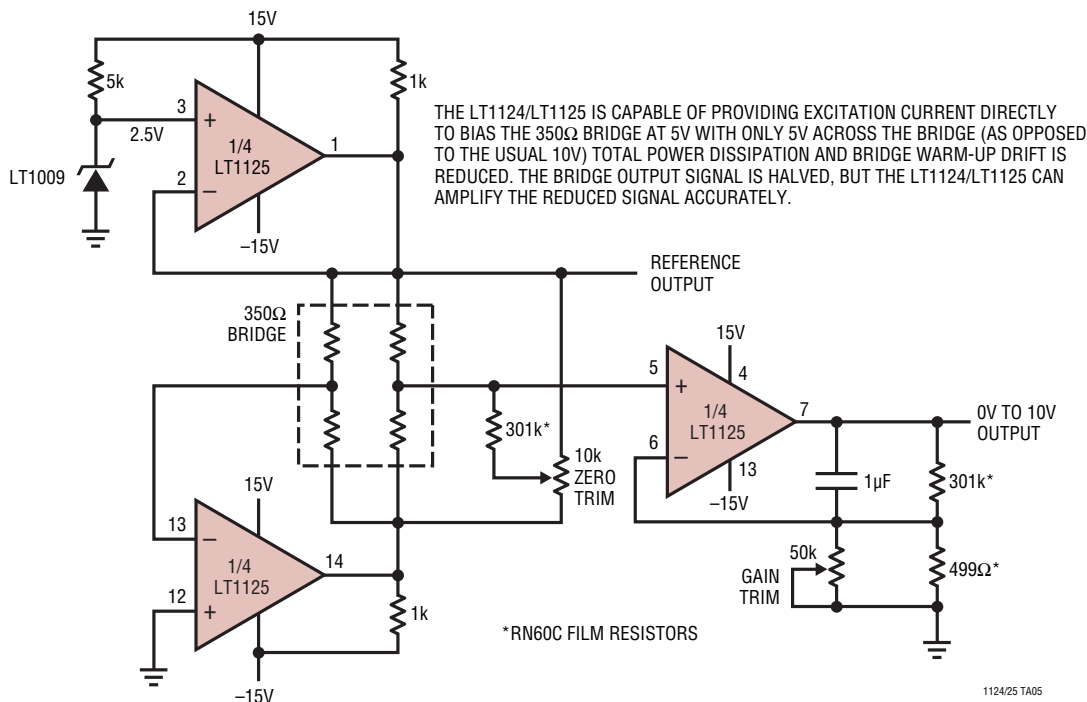
REVISION HISTORY (Revision history begins at Rev D)

| REV | DATE | DESCRIPTION | PAGE NUMBER |
|-----|-------|--|-------------|
| D | 09/10 | LT1124-1 added. Reflected throughout the data sheet. | 1 to 18 |
| E | 10/10 | Revised part marking for LT1124AMPS8-1 in Order Information section. | 3 |
| F | 01/14 | LT1124-1 removed. | 1 to 3 |

LT1124/LT1125

TYPICAL APPLICATION

Strain Gauge Signal Conditioner with Bridge Excitation



RELATED PARTS

| PART NUMBER | DESCRIPTION | COMMENTS |
|-------------------------------|-------------------------------------|---|
| LT1007 | Single Low Noise, Precision Op Amp | 2.5nV/√Hz 1kHz Voltage Noise |
| LT1028/LT1128 | Single Low Noise, Precision Op Amps | 0.85nV/√Hz Voltage Noise |
| LT1112/LT1114 | Dual/Quad Precision Picoamp Input | 250pA Max I _B |
| LT1113 | Dual Low Noise JFET Op Amp | 4.5nV/√Hz Voltage Noise, 10fA/√Hz Current Noise |
| LT1126/LT1127 | Decompensated LT1124/LT1125 | 11V/μs Slew Rate |
| LT1169 | Dual Low Noise JFET Op Amp | 6nV/√Hz Voltage Noise, 1fA/√Hz Current Noise, 10pA Max I _B |
| LT1792 | Single LT1113 | 4.2nV/√Hz Voltage Noise, 10fA/√Hz Current Noise |
| LT1793 | Single LT1169 | 6nV/√Hz Voltage Noise, 1fA/√Hz Current Noise, 10pA Max I _B |

11245ff

Данный компонент на территории Российской Федерации

Вы можете приобрести в компании MosChip.

Для оперативного оформления запроса Вам необходимо перейти по данной ссылке:

<http://moschip.ru/get-element>

Вы можете разместить у нас заказ для любого Вашего проекта, будь то серийное производство или разработка единичного прибора.

В нашем ассортименте представлены ведущие мировые производители активных и пассивных электронных компонентов.

Нашей специализацией является поставка электронной компонентной базы двойного назначения, продукции таких производителей как XILINX, Intel (ex.ALTERA), Vicor, Microchip, Texas Instruments, Analog Devices, Mini-Circuits, Amphenol, Glenair.

Сотрудничество с глобальными дистрибьюторами электронных компонентов, предоставляет возможность заказывать и получать с международных складов практически любой перечень компонентов в оптимальные для Вас сроки.

На всех этапах разработки и производства наши партнеры могут получить квалифицированную поддержку опытных инженеров.

Система менеджмента качества компании отвечает требованиям в соответствии с ГОСТ Р ИСО 9001, ГОСТ РВ 0015-002 и ЭС РД 009

Офис по работе с юридическими лицами:

105318, г.Москва, ул.Щербаковская д.3, офис 1107, 1118, ДЦ «Щербаковский»

Телефон: +7 495 668-12-70 (многоканальный)

Факс: +7 495 668-12-70 (доб.304)

E-mail: info@moschip.ru

Skype отдела продаж:

moschip.ru

moschip.ru_4

moschip.ru_6

moschip.ru_9