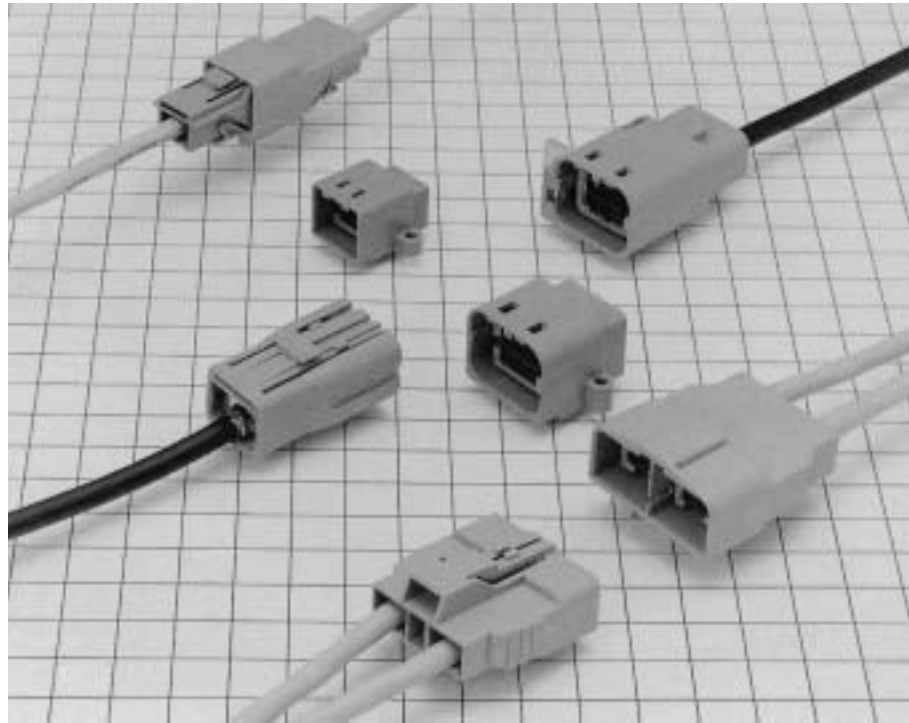


GT11 Series

— Connectors for coaxial cables —



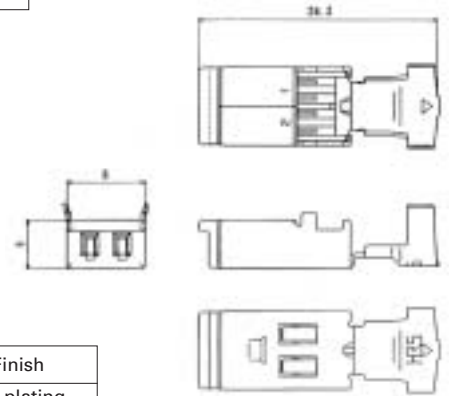
■ Features

- **Cost efficient termination**
Highly efficient and reliable single motion crimp termination allows high volume production with semi-automatic equipment.
- **Lock-release latching system**
- **Shock / vibration resistant electrical connections**
- **Verification of the full contact insertion**

For Double-Conductor coaxial shielded cable

F Connectors

● Outer terminals

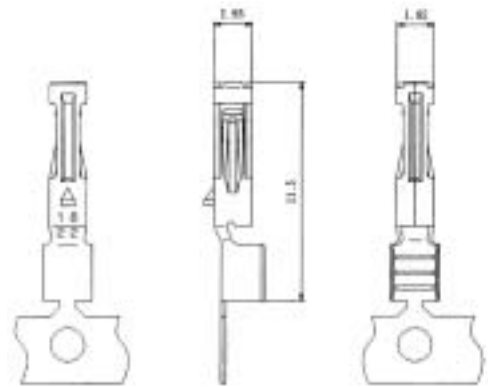


Part Number	CL No.	Applicable Cable
GT11-2S-5.2C	761-0002-3	4.5 to 5.2mm
GT11-2S-6.0C	761-0028-7	5.8 to 6.2mm

Item	Material	Finish
Outer terminal	Brass	Tin plating
Insulator	PT	Color: Dark gray

* The suitable terminals might differ depending on the internal structure of the cable.

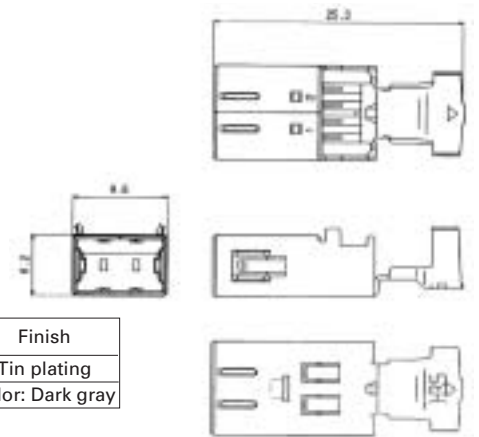
● Inner Terminals



Part Number	CL No.	Conductor Size (AWG)	Material	Finish	Packaging
GT11-1822SCF	761-0004-9	#18 to 22	Brass	Tin plating	8,000 pcs. per reel
GT11-2428SCF	761-0020-5	#24 to 28			

M Connectors

● Outer terminals

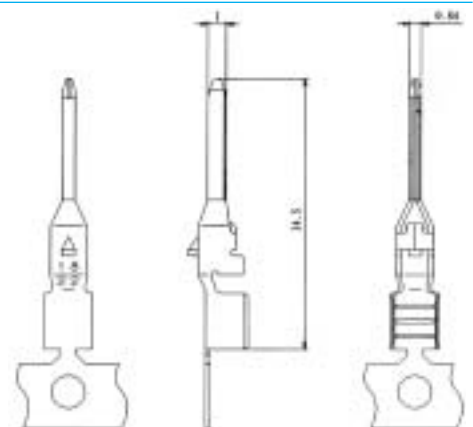


Part Number	CL No.	Applicable Cable
GT11-2P-5.2C	761-0001-0	4.5 to 5.2mm
GT11-2P-6.0C	761-0027-4	5.8 to 6.2mm

Item	Material	Finish
Outer terminal	Brass	Tin plating
Insulator	PT	Color: Dark gray

* The suitable terminals might differ depending on the internal structure of the cable.

● Inner Terminals



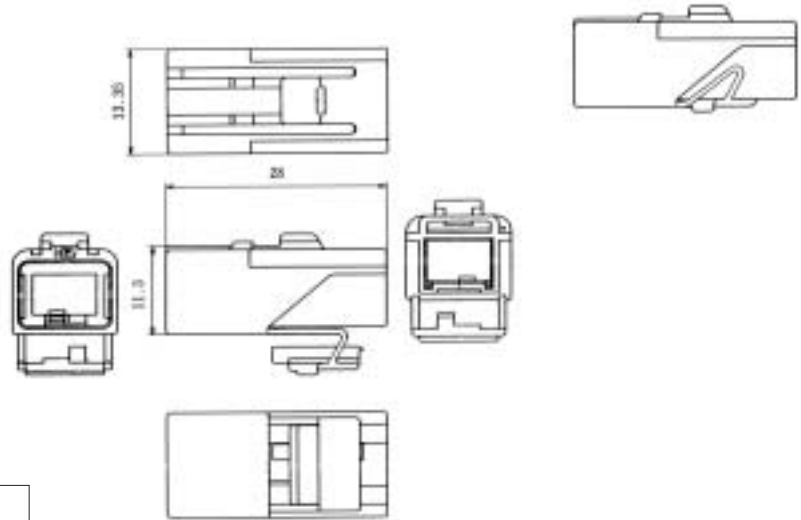
Part Number	CL No.	Conductor Size (AWG)	Material	Finish	Packaging
GT11-1822PCF	761-0003-6	#18 to 22	Brass	Tin plating	8,000 pcs. per reel
GT11-2428PCF	761-0019-6	#24 to 28			

For Double-Conductor coaxial cable

F Connectors

● Housing

◆ Shown with inserted retainer

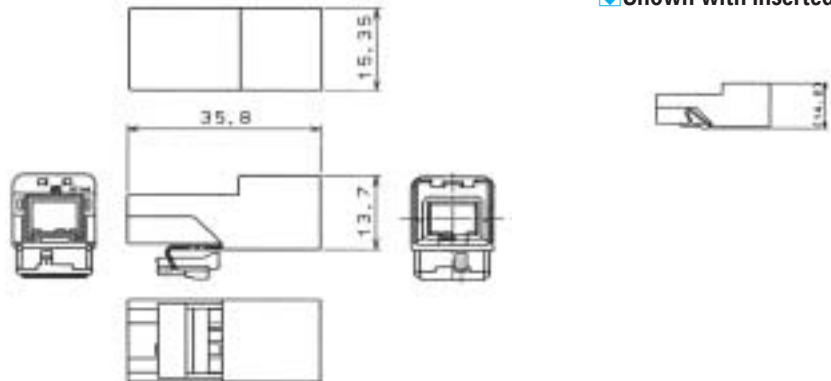


Part Number	CL No.	Material	Color
GT11-2S-HU	761-0005-1	PBT	Light gray

M Connectors

● Housing

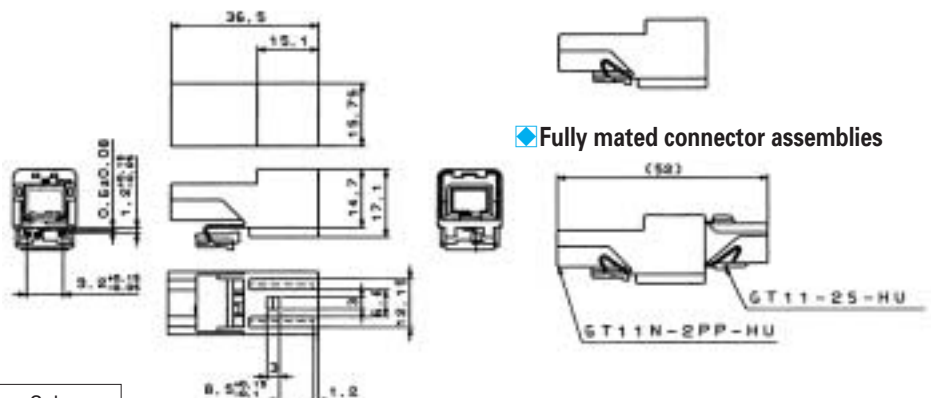
◆ Shown with inserted retainer



Part Number	CL No.	Material	Color
GT11-2P-HU	761-0006-4	PBT	Light gray



◆ Shown with inserted retainer



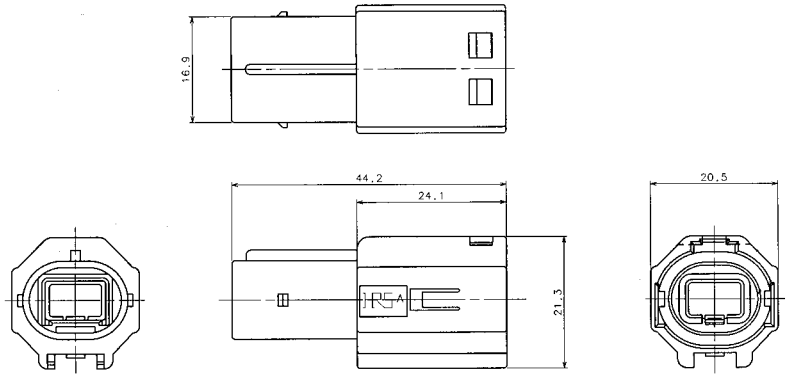
◆ Fully mated connector assemblies

Part Number	CL No.	Material	Color
GT11N-2PP-HU	761-0008-0	PBT	Light gray

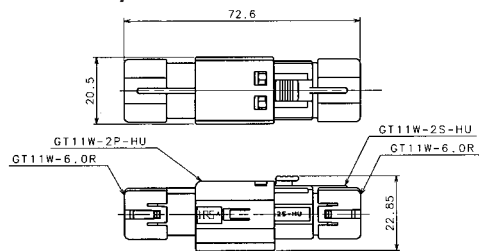
Waterproof type For Double-Conductor coaxial cable

F Connectors

● Housing



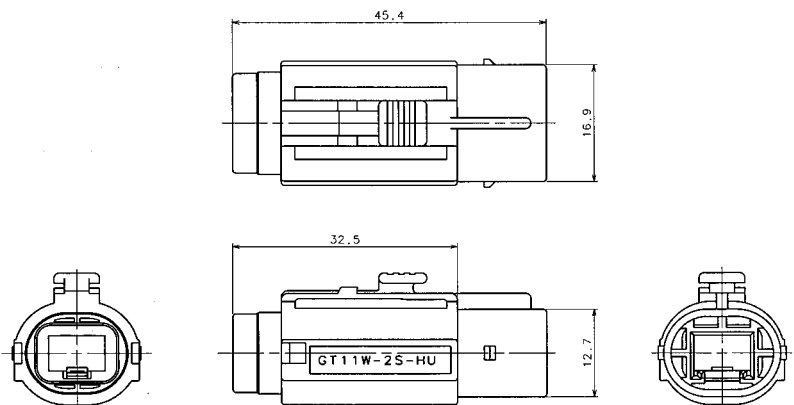
◆ Fully mated connector assemblies



Part Number	CL No.	Material
GT11W-2P-HU	761-0023-3	PBT

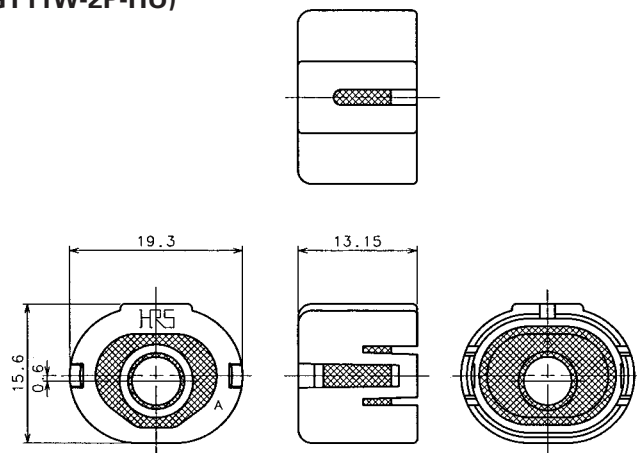
M Connectors

● Housing



Part Number	CL No.	Material
GT11W-2S-HU	761-0024-6	PBT

● Retainer (used with GT11W-2S-HU and GT11W-2P-HU)

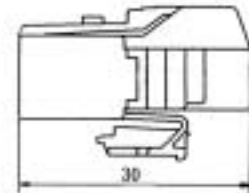
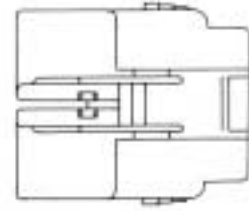
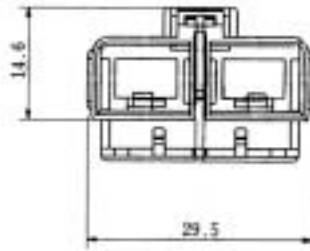


Part Number	CL No.	Applicable Cable
GT11W-6.0R	761-0025-9	PBT Silicon rubber compound

Waterproof type For Double-Conductor coaxial cable

F Connectors

● Housing



◆ Shown with inserted retainer

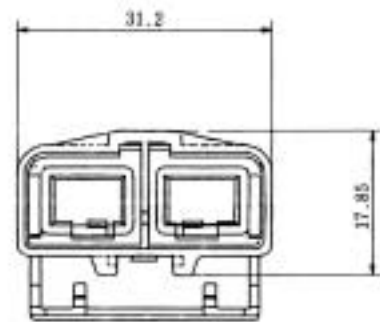
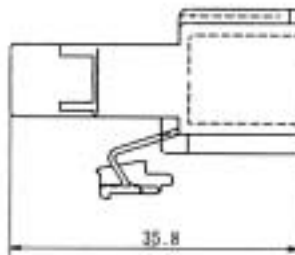
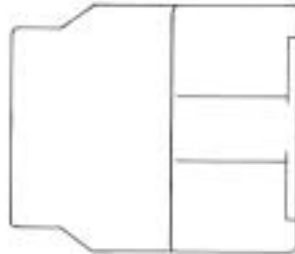


Part Number	CL No.	Material	Color
GT11K-2/2S-HU	761-0039-3	PBT	Light gray

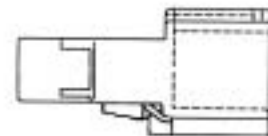
* Mates only with GT11KN-2/2PP-HU.

M Connectors

● Housing



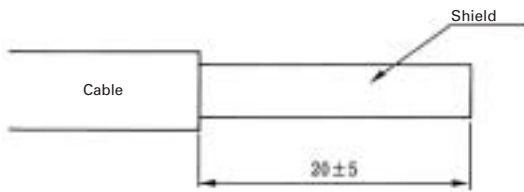
◆ Shown with inserted retainer



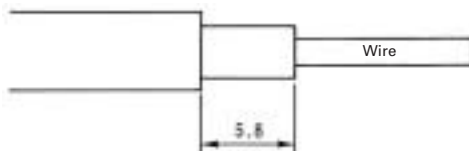
Part Number	CL No.	Material	Color
GT11KN-2/2PP-HU	761-0040-2	PBT	Light gray

◆ Termination sequence

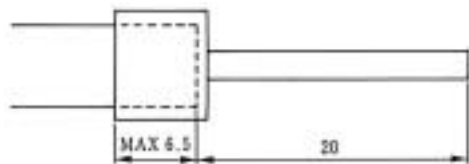
① Strip the cable.



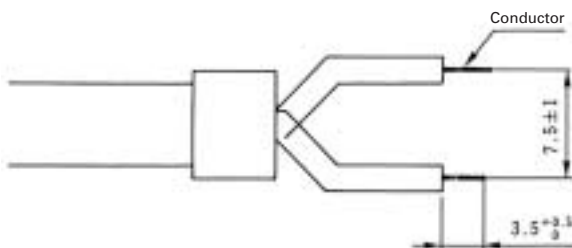
② Cut the shield and expose the wire.



③ Cut back the shield above the sheath and wrap with conductive tape.

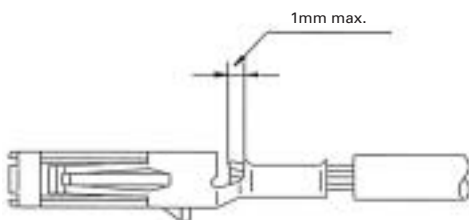


④ Strip the wire and form it.



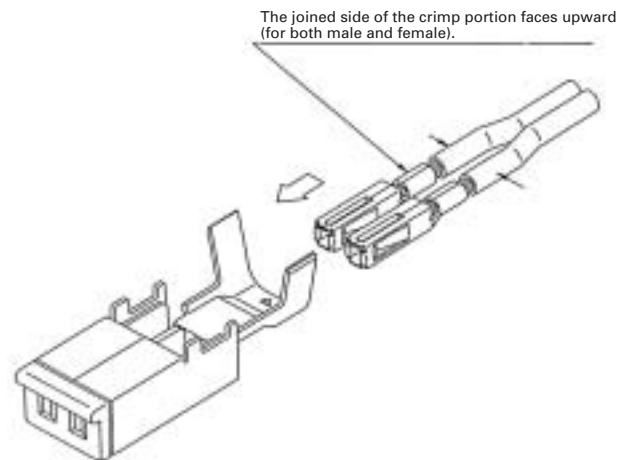
Jig used: Cable-forming strip jig
(Refer to Page 85 for detail.)

⑤ Crimp the wire to the internal terminal.

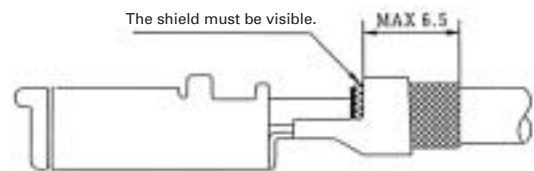


Jig used: Automatic crimping machine.
(Refer to Page 85 for detail.)

⑥ Insert the internal terminals into the Outer terminals.

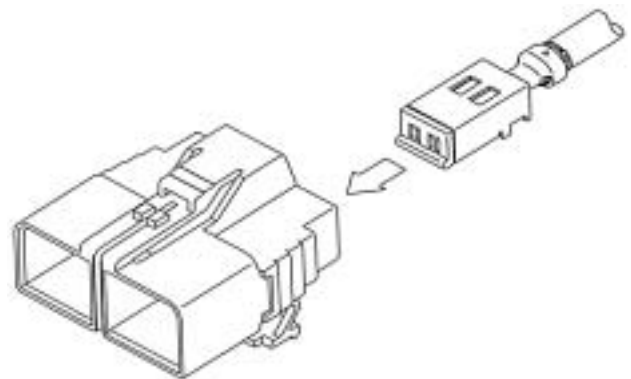


⑦ Crimp the Outer terminal.

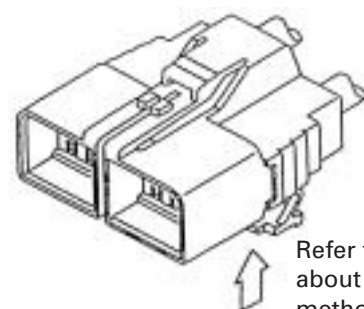


Jig used: Outside tube caulking jig.
(Refer to Page 91 for detail.)

⑧ Insert the terminal into the housing. (Please insert until the terminal is stopped by the lance.)

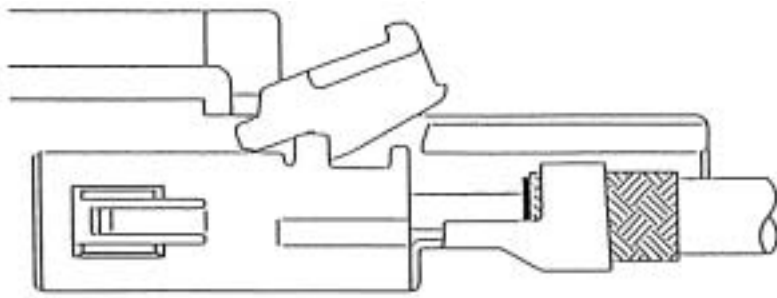
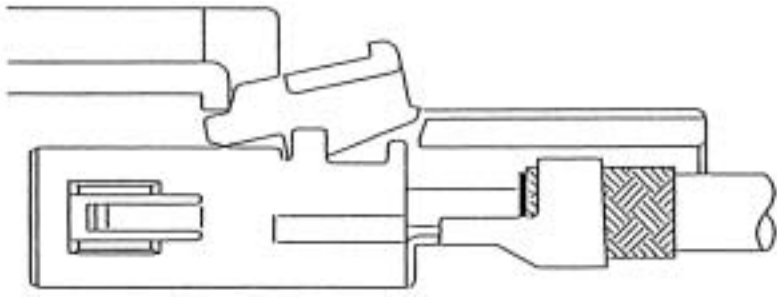
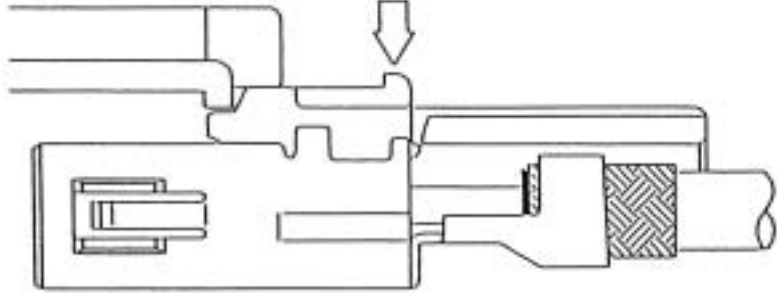
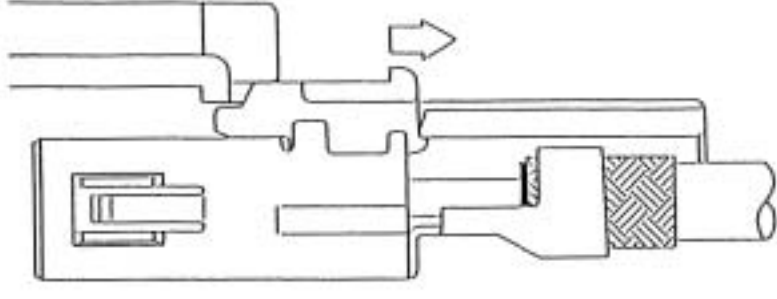


⑨ Mount the retainer to complete the task.



Refer to Page 84 for information
about the retainer mounting
method.

◆ Retainer Mounting Method

<p>a. Insert so that the terminal locking tab is inserted between the top surface of the terminal and the housing.</p>	 A cross-sectional diagram of a terminal and its housing. A locking tab is being inserted from the top into a slot between the terminal and the housing. The terminal has a cylindrical body with a textured section and a protruding end. The housing has a rectangular opening with a locking mechanism.
<p>b. Push in while changing the angle of the retainer until the front surface comes to a stop.</p>	 A cross-sectional diagram similar to the first one, but the locking tab is now partially inserted and angled downwards. The front surface of the tab is in contact with the housing's internal structure.
<p>c. Press the rear portion of the retainer and snap it into the locked position.</p>	 A cross-sectional diagram showing the locking tab fully inserted and angled. A downward-pointing arrow indicates the direction to press the rear portion of the tab to lock it into place.
<p>d. If locking is not complete, press the rear portion of the retainer again while pulling it backward.</p>	 A cross-sectional diagram showing the locking tab fully inserted and angled. A rightward-pointing arrow indicates the direction to pull the tab back while pressing the rear portion down.

* Check that all locations are locked.

* Check that the bands are housed in all of the receiving areas.

◆ Termination Tools

User's manuals are available. Please ask your Hirose Electric account representative.

● Cable-Forming Strip Jig (for 2-conductor cable)

Main Unit

Accessory (Electrical Box)



Part Number CT11-ST/AD

Specifications

	Capacity	Remarks
Mounting Dimensions	Approximately 400 W x 500 D x 300 H	Approximately 300 W x 250 D x 200 H
Weight	Approximately 40 kg	Approximately 5 kg
Power supply	AC100V (50/60Hz)	
Air pressure	5-6Kgf/cm	
Task time	Approximately 14 seconds	

● Automatic Crimping Machine (for 2-conductor and 8-conductor cable)



Part Number CM-105

Specifications

Item	Specification	Remarks
Capacity	1.5tons	
Stroke	30mm	
Number of strokes	200spm (50Hz)	200spm (60Hz)
Weight	75kg	
Motor	0.2kW	AC100V
Crimping speed	2000 to 4000 pcs. per day	

● Cable-Forming Strip Jig (for 2-conductor cable)

Main Unit

Accessory (Electrical Box)



Part Number CT11-CT/AD

Specifications

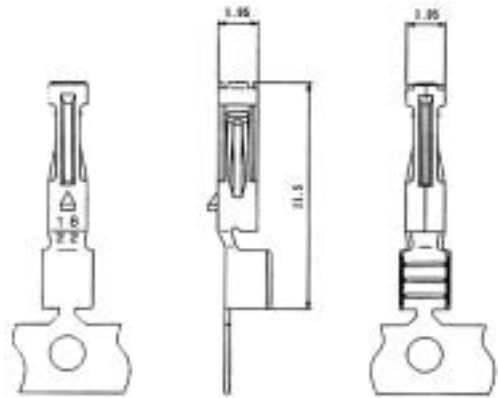
	Specification	Remarks
Mounting Dimensions	Approximately 300 W x 400 D x 300 H	Approximately 300 W x 250 D x 200 H
Weight	Approximately 25 kg	Approximately 5 kg
Power supply	AC100V (50/60Hz)	
Air pressure	5-6Kgf/cm	

* Crimp height setting tables are available for each cable type. Please contact your nearest Hirose Electric account representative.
Different cables will require different crimp height settings.

For 8-Conductor coaxial shielded cable

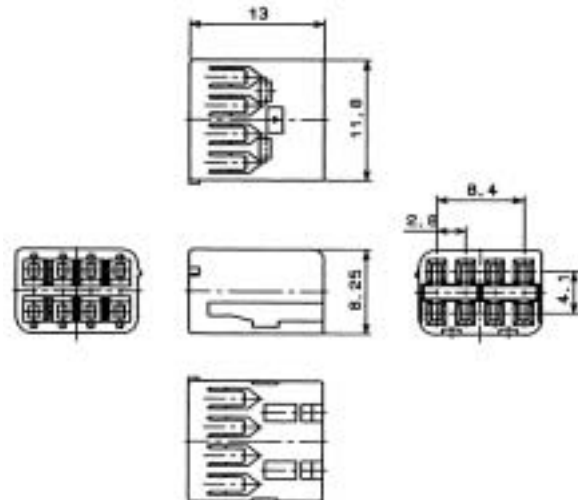
F Connectors

● Inner Terminal



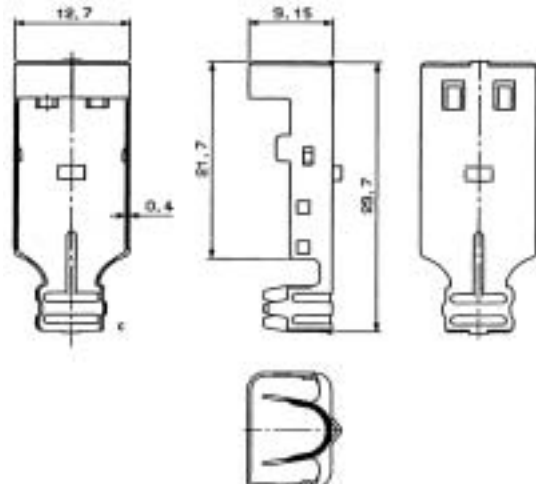
Part Number	CL No.	Conductor Size (AWG)	Material	Finish
GT11-1822SCF	761-0004-9	#24 to 28	Phosphor bronze	Tin plating
GT11-2428SCF	761-0020-5	#24 to 28	Phosphor bronze	Tin plating

● Insulator



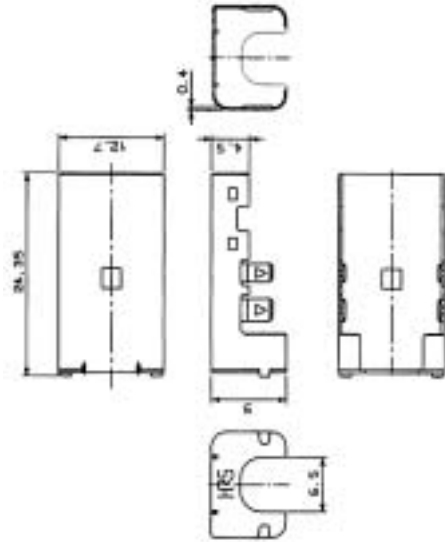
Part Number	CL No.	Material
GT11-8DS-2.8C	761-0014-2	PBT

● Outer terminals



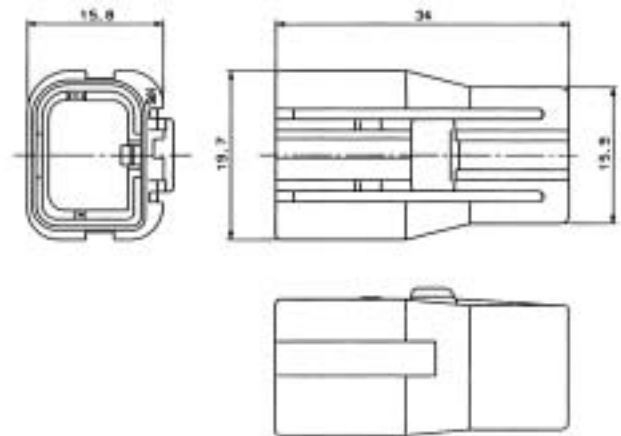
Part Number	CL No.	Material	Finish
GT11-8DS-5C	761-0015-5	Brass	Phosphor bronze

● Shield Plate



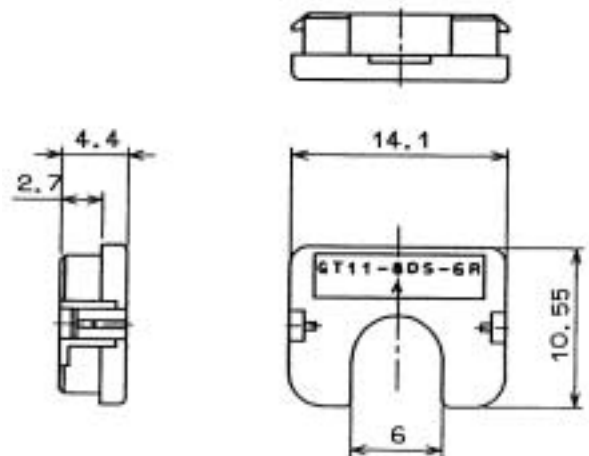
Part Number	CL No.	Material	Finish
GT11-8DS-SB	761-0016-8	Brass	Tin plating

● Housing



Part Number	CL No.	Material
GT11-8DS-HU	761-0017-0	PBT

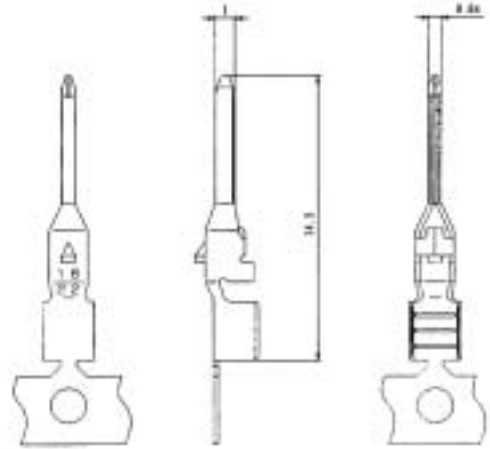
● Retainer (used with GT11-8DS-HU)



Part Number	CL No.	Material
GT11-8DS-6R	761-0018-3	PBT

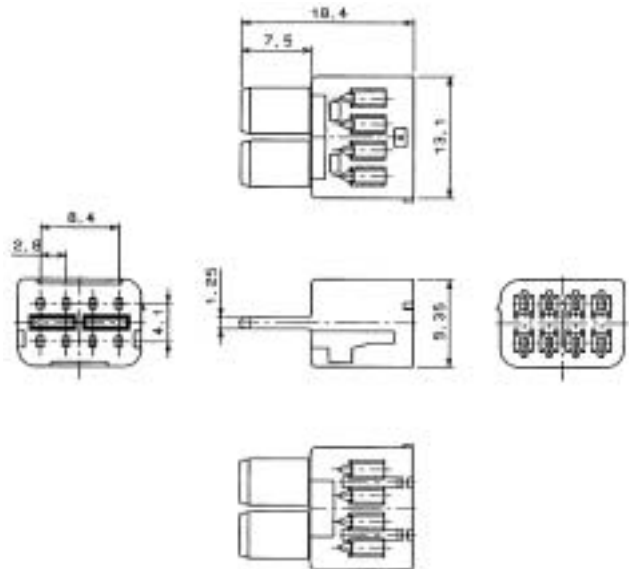
M Connectors

● Inner Terminals



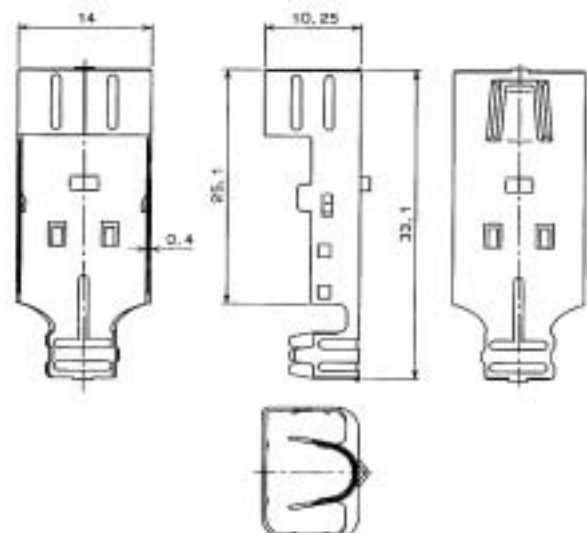
Part Number	CL No.	Conductor Size (AWG)	Material	Finish
GT11-1822PCF	761-0003-6	#18 to 22	Phosphor bronze	Tin plating
GT11-2428PCF	761-0019-6	#24 to 28	Phosphor bronze	Tin plating

● Insulator



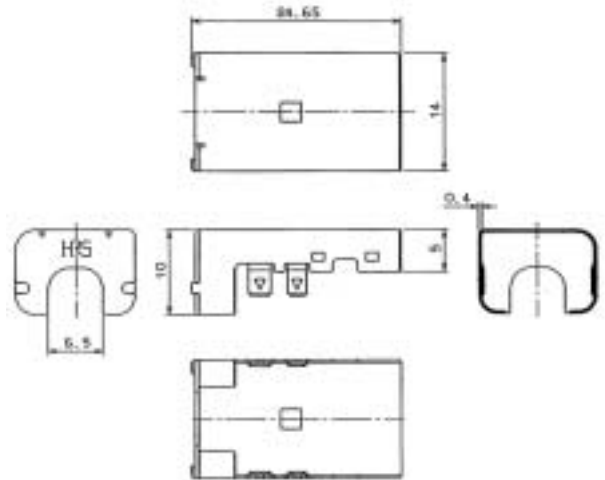
Part Number	CL No.	Material
GT11-8DP-2.8C	761-0009-2	PBT

● Outer terminals



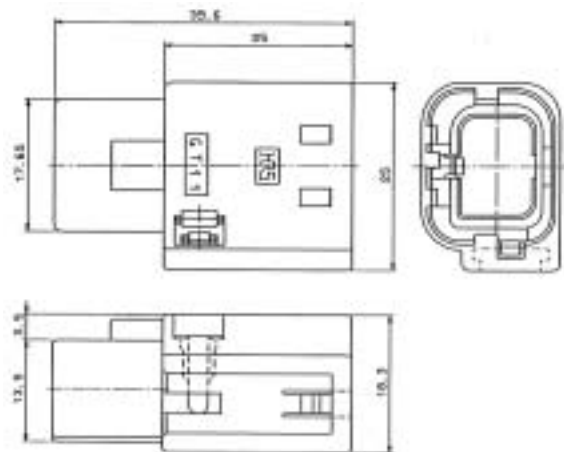
Part Number	CL No.	Material	Finish
GT11-8DP-5C	761-0010-1	Brass	Phosphor bronze

● Shield Plate



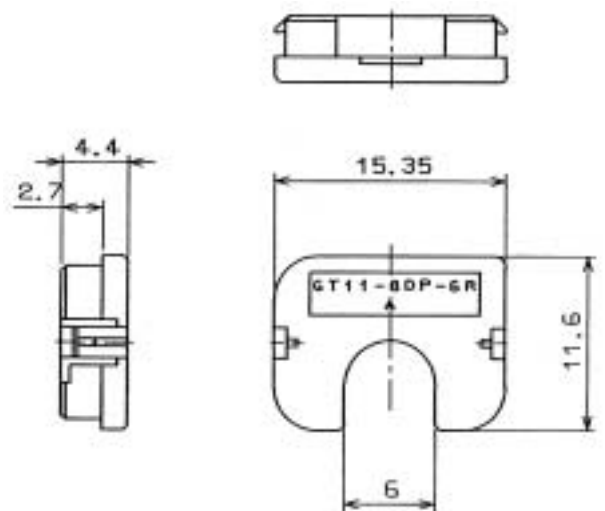
Part Number	CL No.	Material	Finish
GT11-8DP-SB	761-0011-4	Brass	Phosphor bronze

● Housing



Part Number	CL No.	Material
GT11-8DP-HU	761-0012-7	PBT

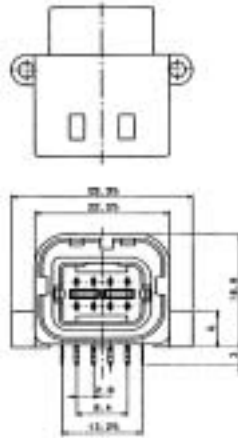
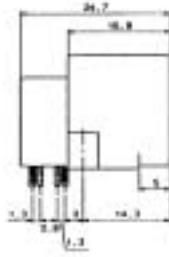
● Retainer (Used with GT11-8DS-HU)



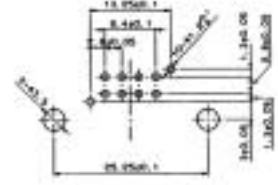
Part Number	CL No.	Material
GT11-8DP-6R	761-0013-0	PBT

* Reserved for product expansion

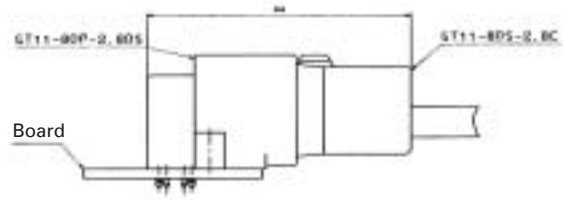
● Printed Circuit Board Type



◆ Recommended Board Mounting Pattern

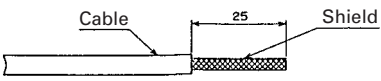
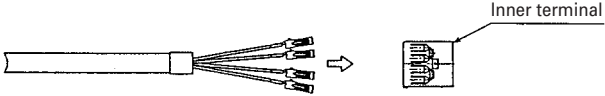
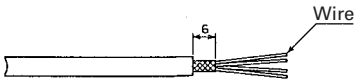
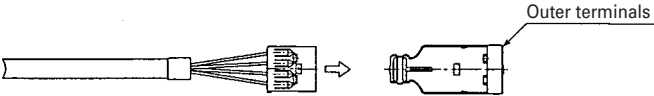
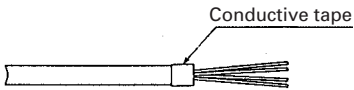
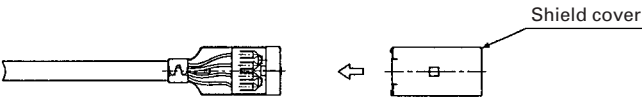
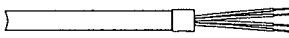
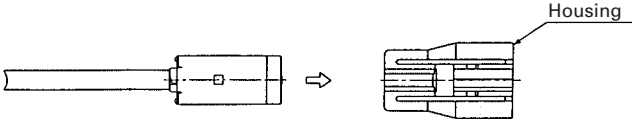
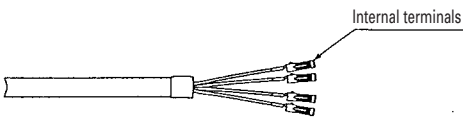
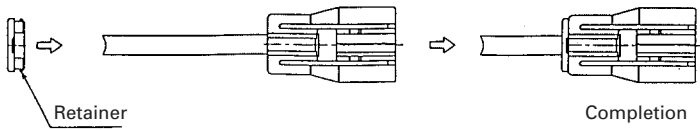


◆ Fully mated connector assemblies



Part Number	CL No.	Item	Material	Finish
GT11-8DP-2.8DS	761-0021-8	Housing	PBT	
		Outer Terminal	Phosphor bronze	Tin plating
		Insulator	PBT	
		Terminal	Brass	Tin plating

◆ Termination sequence

<p>① Strip the Cable.</p> 	<p>⑥ Insert the inner terminals into the insulated case.</p> 
<p>② Cut the shield and expose the wire.</p> 	<p>⑦ Insert what was made in Step ⑥ into the Outer terminals.</p> 
<p>③ Cut back the shield above the sheath and wrap with conductive tape.</p> 	<p>⑧ Insert the caulking shield cover onto the Outer terminals.</p> 
<p>④ Strip the wire.</p> 	<p>⑨ Insert what was made in Step ⑧ into the housing.</p> 
<p>⑤ Crimp the internal terminals.</p> 	<p>⑩ Insert the retainer.</p> 

◆ Termination Tools

User's manuals are available. Please ask your Hirose Electric account representative.

● Cable-Forming Strip Jig (for 2-conductor cable)

Main Unit Accessory (Electrical Box)



Part Number CT11-ST/AD

Specifications

	Capacity	Remarks
Mounting Dimensions	Approximately 400 W x 500 D x 300 H	Approximately 300 W x 250 D x 200 H
Weight	Approximately 40 kg	Approximately 5 kg
Power supply	AC100V (50/60Hz)	
Air pressure	5-6Kgf/cm	
Task time	Approximately 14 seconds	

● Automatic Crimping Machine (for 2-conductor and 8-conductor cable)



Part Number CM-105

Specifications

Item	Specification	Remarks
Capacity	1.5Ton	
Stroke	30mm	
Number of strokes	200spm (50Hz)	240spm (60Hz)
Weight	75kg	
Motor	0.2kW	AC100V
Crimping speed	2000 to 4000 pcs. per day	

● Cable-Forming Strip Jig (for 2-conductor cable)

Main Unit Accessory (Electrical Box) Specifications



Part Number CT11-CT/AD

	Specification	Remarks
Mounting Dimensions	Approximately 300 W x 400 D x 300 H	Approximately 300 W x 250 D x 200 H
Weight	Approximately 25 kg	Approximately 5 kg
Power supply	AC100V (50/60Hz)	
Air pressure	5-6Kgf/cm	

* Crimp height setting tables are available for each cable type. Please contact your nearest Hirose Electric account representative.
Different cables will require different crimp height settings.

● Outer terminal Caulking Jig (for 8-conductor cable)

Hand Press



Part Number GT11-8S/P-HP

Данный компонент на территории Российской Федерации

Вы можете приобрести в компании MosChip.

Для оперативного оформления запроса Вам необходимо перейти по данной ссылке:

<http://moschip.ru/get-element>

Вы можете разместить у нас заказ для любого Вашего проекта, будь то серийное производство или разработка единичного прибора.

В нашем ассортименте представлены ведущие мировые производители активных и пассивных электронных компонентов.

Нашей специализацией является поставка электронной компонентной базы двойного назначения, продукции таких производителей как XILINX, Intel (ex.ALTERA), Vicor, Microchip, Texas Instruments, Analog Devices, Mini-Circuits, Amphenol, Glenair.

Сотрудничество с глобальными дистрибьюторами электронных компонентов, предоставляет возможность заказывать и получать с международных складов практически любой перечень компонентов в оптимальные для Вас сроки.

На всех этапах разработки и производства наши партнеры могут получить квалифицированную поддержку опытных инженеров.

Система менеджмента качества компании отвечает требованиям в соответствии с ГОСТ Р ИСО 9001, ГОСТ РВ 0015-002 и ЭС РД 009

Офис по работе с юридическими лицами:

105318, г.Москва, ул.Щербаковская д.3, офис 1107, 1118, ДЦ «Щербаковский»

Телефон: +7 495 668-12-70 (многоканальный)

Факс: +7 495 668-12-70 (доб.304)

E-mail: info@moschip.ru

Skype отдела продаж:

moschip.ru

moschip.ru_4

moschip.ru_6

moschip.ru_9