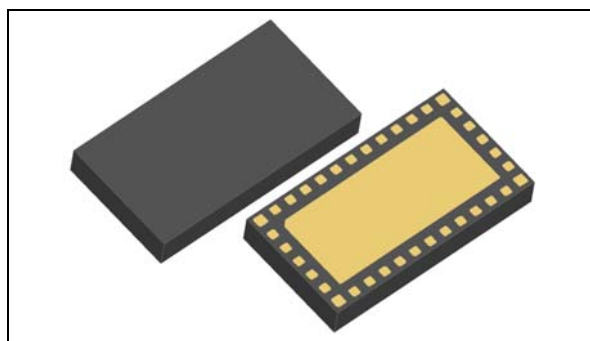


## ESD protection and signal conditioning for HDMI™ 2.0 source interface

Datasheet – production data



### Features

- HDMI™ 2.0 (4K/2K 60fps) compliant from -40 to 85 °C
- TMDS high bandwidth and very low clamping voltage ESD protection
- 8 kV contact ESD protection on connector side
- Supports direct connection to low-voltage HDMI™ ASIC and/or CEC driver (down to 1.8 V)
- DDC capacitive decoupling between ASIC and HDMI™ connector and dynamic pull-up for long cable driving
- Back drive protection on 5 V, DDC bus and CEC
- CEC independent structure from main power supply
- HDMI™ Ethernet and audio return channel (HEAC) compatible
- HPD pull down and signal conditioning
- Short-circuit protection on 5 V output
- Proposed in QFN 36 leads 500 µm pitch

### Benefits

- Easy hardware design and speed-up certification of HDMI™ 2.0
- Pin map sequence compliant with HDMI™ connector type A

- High integration level for minimal PCB footprint
- Efficient protection of sensitive HDMI™ ASICs
- Very low power consumption in stand-by mode
- Wake-up from stand-by through CEC bus
- Allow to drive long cable and poor quality cable
- Companion chip for STMicroelectronics' STixxxx HDMI™ decoders

### Complies with the following standards

- HDMI™ 2.0 version
- IEC 61000-4-2 level 4
- JESD22-A114D level 2

### Applications

- Consumer and computer electronics HDMI™ source device such as:
  - Set-top boxes / ADSL boxes
  - DVD and Blu-Ray disk systems
  - Notebook / PC graphic cards
  - Game console
  - Home theater

### Description

The HDMI2C1-14HD is a fully integrated ESD protection and signal conditioning device for control links and TMDS data video channels of HDMI™ transmitters (source).

The HDMI2C1-14HD is a simple solution that provides HDMI™ designers with an easy and fast way to reach full compliance with the stringent HDMI™ 2.0 (4K/2K 60fps) on a wide temperature range.

TM: HDMI: the HDMI logo and High-Definition Multimedia Interface are trademarks or registered trademarks of HDMI Licensing LLC.

# Contents

- 1        Functional description ..... 3**
- 2        Application information ..... 5**
  - 2.1    CEC line description ..... 5
  - 2.2    DDC functional block description ..... 6
  - 2.3    HEAC link and HPD line description ..... 9
    - 2.3.1    HPD line description ..... 9
    - 2.3.2    HEAC functional block description ..... 10
  - 2.4    +5V protection and fault line functional block description ..... 11
  - 2.5    Back drive protection ..... 12
  - 2.6    TMDS channels ESD protection ..... 12
  - 2.7    Application block diagrams ..... 13
- 3        Electrical characteristics ..... 17**
- 4        Package information ..... 25**
  - 4.1    QFN package information ..... 25
  - 4.2    Packing information ..... 27
- 5        Recommendation on PCB assembly ..... 28**
  - 5.1    Stencil opening design ..... 28
  - 5.2    Solder paste ..... 29
  - 5.3    Placement ..... 29
  - 5.4    PCB design preference ..... 29
  - 5.5    Reflow profile ..... 30
- 6        Ordering information ..... 31**
- 7        Revision history ..... 31**

# 1 Functional description

The HDMI2C1-14HD is a fully integrated ESD protection and signal conditioning device for control links and TMDS data video channels of HDMI™ transmitters (source).

The control stage provides a bidirectional buffer, integrating signal conditioning and dynamic pull-up on DDC bus for maximum system robustness and signal integrity. The HEAC (HDMI Ethernet and audio return channels) function is supported, making the component fully compliant with HDMI 2.0 version. A bidirectional CEC block is integrated, able to wake-up the application from stand-by mode (all power supply off, except the CEC power supply). All video format specified by HDMI™ 2.0 standard like 1080p60 3D, 4K/2K 60fps are supported, giving maximal flexibility to designers. The +5 V supplied to the cable is protected against accidental surge current and short circuit. All these features are provided in a single 36 leads QFN package featuring natural PCB routing and saving space on the board.

The HDMI2C1-14HD is a simple solution that provides HDMI™ designers with an easy and fast way to reach full compliance with the stringent HDMI™ 2.0 on a wide temperature range. STMicroelectronics proposes a dual version dedicated for the sink interfaces: the HDMI2C2-14HD.

Figure 1. Pin out, top view

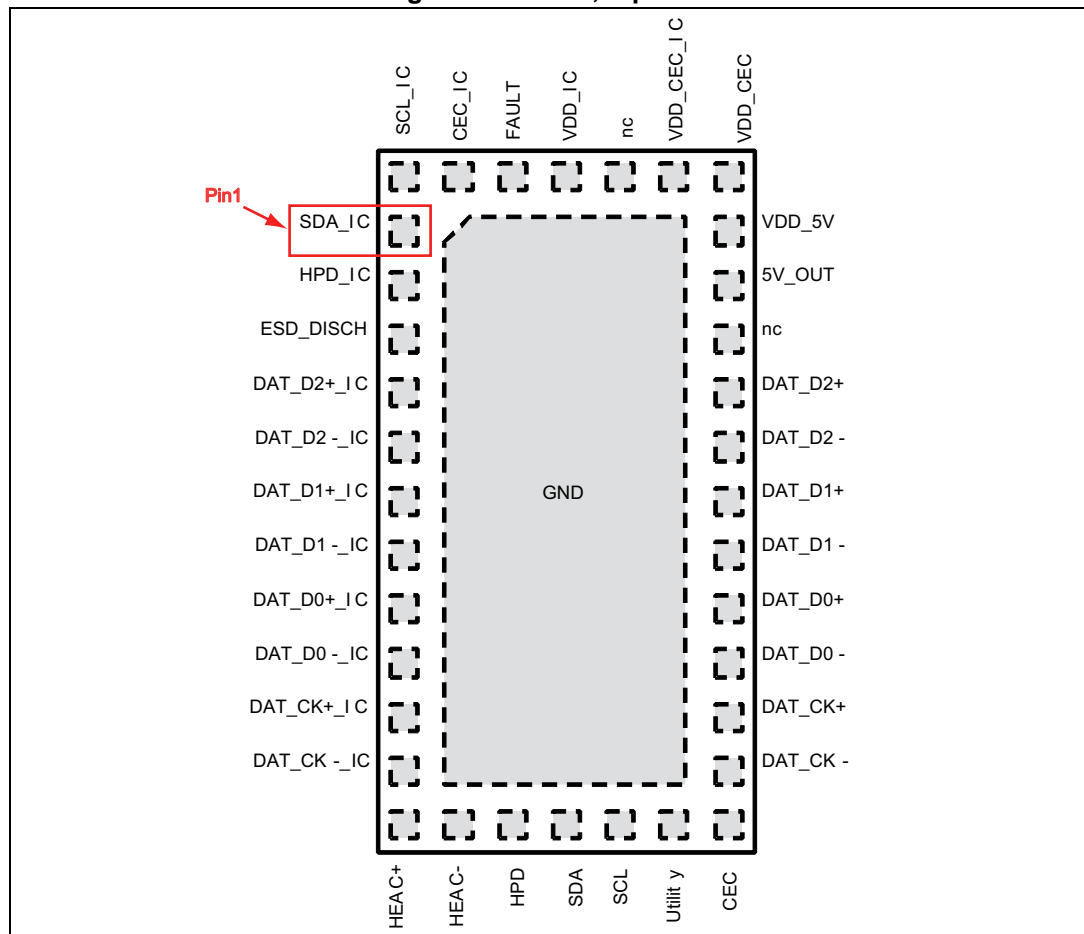
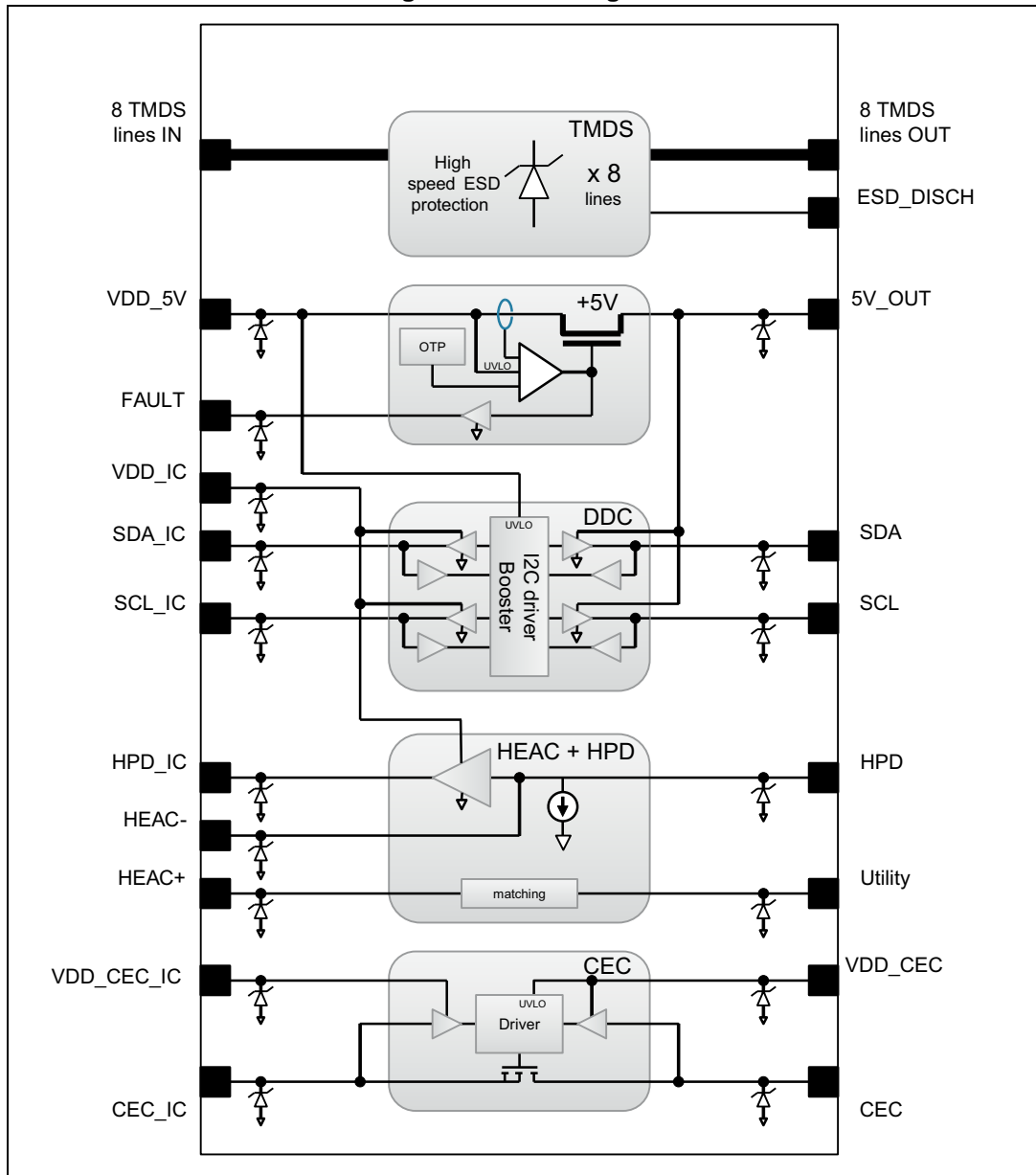


Figure 2. Block diagram



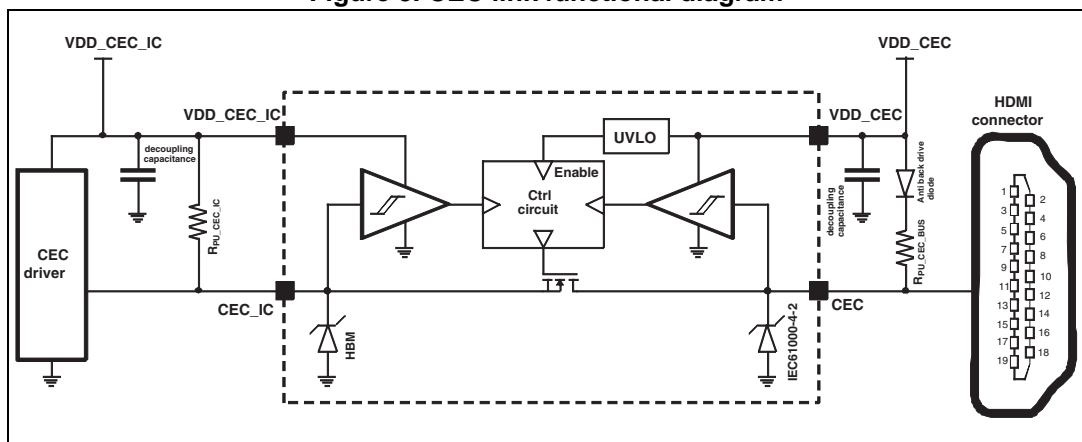
## 2 Application information

### 2.1 CEC line description

The CEC bus is described in the HDMI™ standards as the consumer electronics control. It provides control functions between all the various audiovisual equipments chained in the user's environment.

The CEC block integrated in the HDMI2C1-14HD implements a level shifter, shifting the cable CEC +3.3 V voltage ( $V_{DD\_CEC}$ ) down to the ASIC power supply voltage ( $V_{DD\_CEC\_IC}$ ) that can be as low as 1.8 V. The [Figure 3](#) shows the functional diagram of the integrated CEC block.

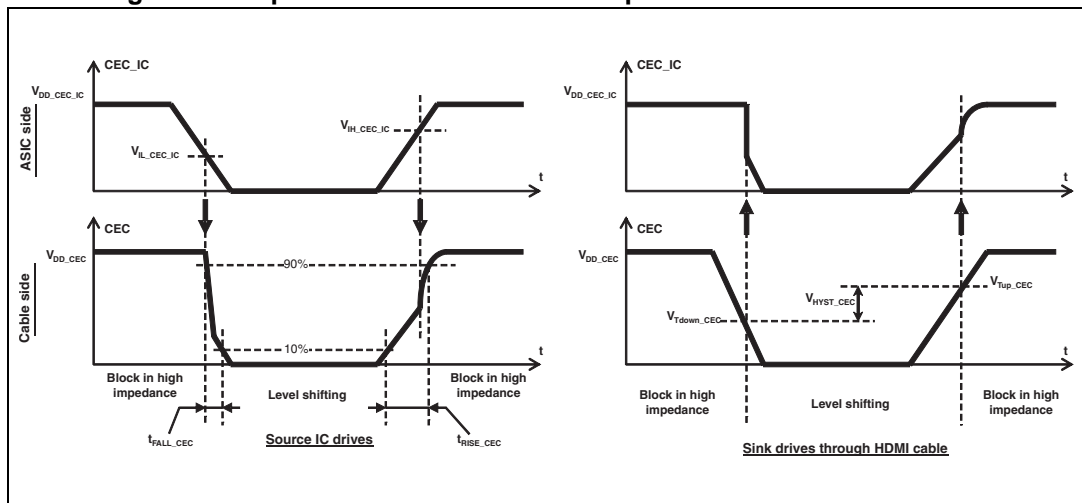
Figure 3. CEC link functional diagram



In case of no activity on the CEC bus, or if the CEC driver is off ( $V_{DD\_CEC\_IC} = 0$ ), the CEC pin is put in high impedance mode (open circuit) protecting the circuitry and the application against hazardous back drive.

The [Figure 4](#) illustrates the normal operating mode of the CEC block when the IC from the source and when the sink drives the communication.

Figure 4. Simplified view of the electrical parameters of the CEC block



In case the application is set in stand-by mode, the +5 V main supply of the application is generally powered off in order to reduce as much as possible the global power consumption. The CEC driver can be the only device still working in low power mode, allowing a wake up of the whole application through the CEC line. When the main power supply +5 V is switched off, and if the CEC bus is still active ( $V_{DD\_CEC}$  power in on state), the HDMI2C1-14HD keeps the CEC bus working properly while all other outputs of the component are put in high impedance mode.

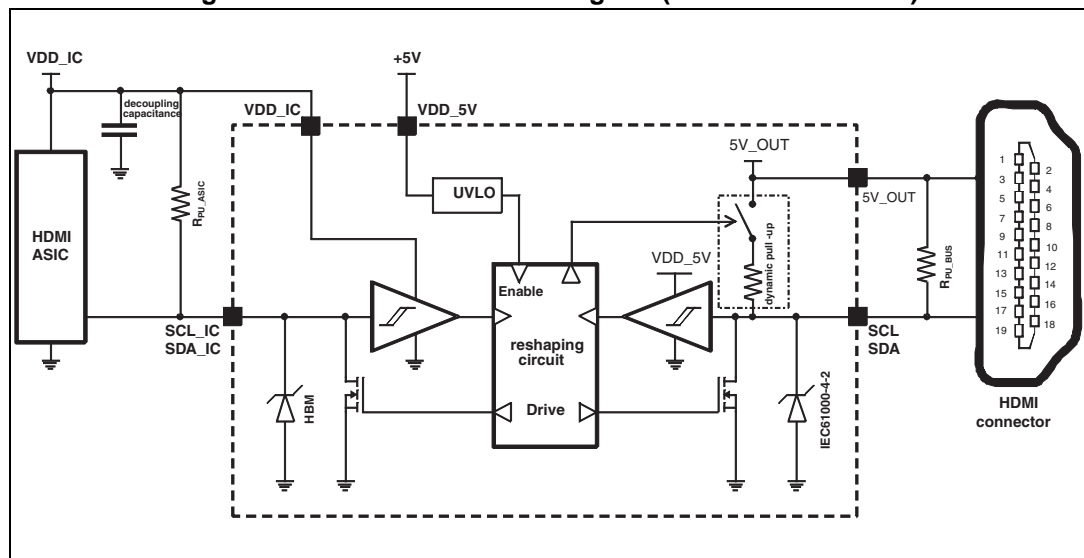
The CEC output (cable side) integrates a protection against ESD which is compliant with IEC61000-4-2 standard, level 4 (8kV contact).

## 2.2 DDC functional block description

The DDC bus is described in the HDMI™ standards as the Display Data Channel. The topology corresponds to an I2C bus that must be compliant with the I2C bus specification version 5 (October 2012). The DDC bus is made of 2 lines: data line (SDA) and clock line (SCL). It is used to create a point to point communication link from the source to the sink. EEDID and HDCP protocols are flowing through this link, making this I2C communication channel a key element in the HDMI™ application.

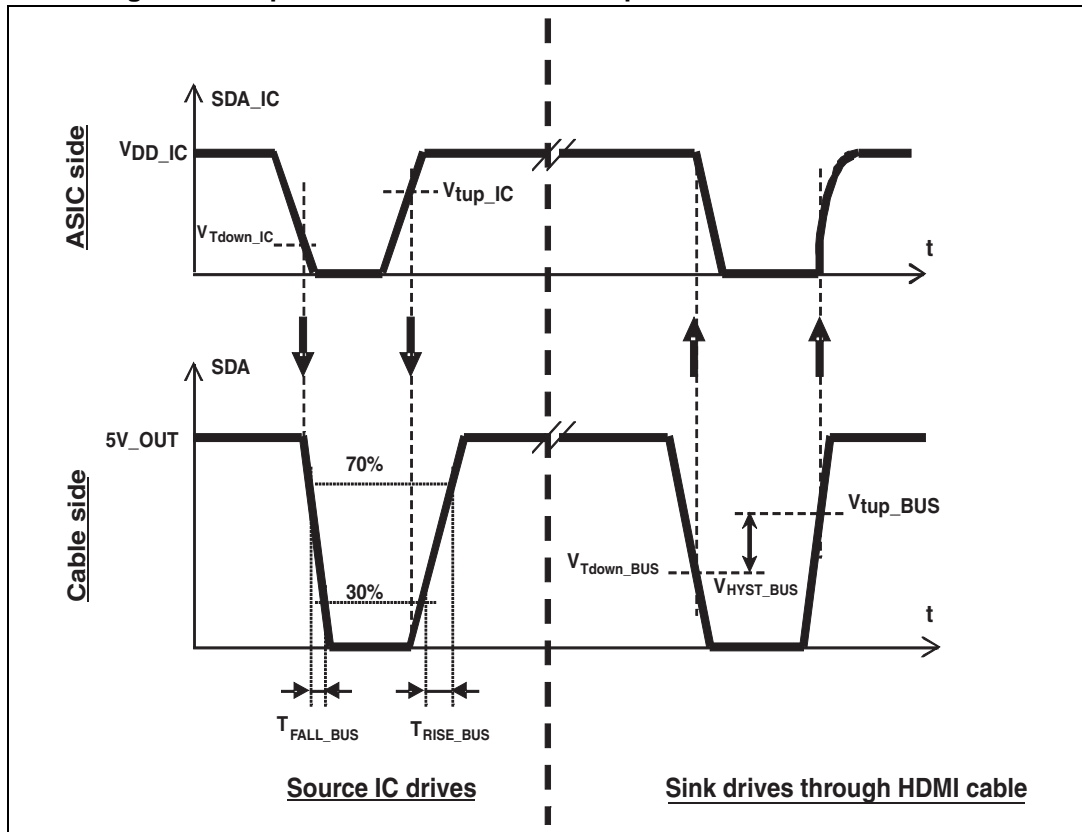
The DDC block integrated in the HDMI2C1-14HD allows a bidirectional communication between the cable and the ASIC. It is fully compliant with the HDMI™ 2.0 standard and its CTS, and with the I2C bus specification version 2.1. It is shifting the 5V voltage from the cable ( $V_{5V\_OUT}$ ) down to the ASIC voltage level ( $V_{DD\_IC}$ ) that can be as low as 1.8 V. The [Figure 5](#) shows the functional diagram of the DDC block integrated in the HDMI2C1-14HD device.

Figure 5. DDC bus functional diagram (SCL and SDA lines)



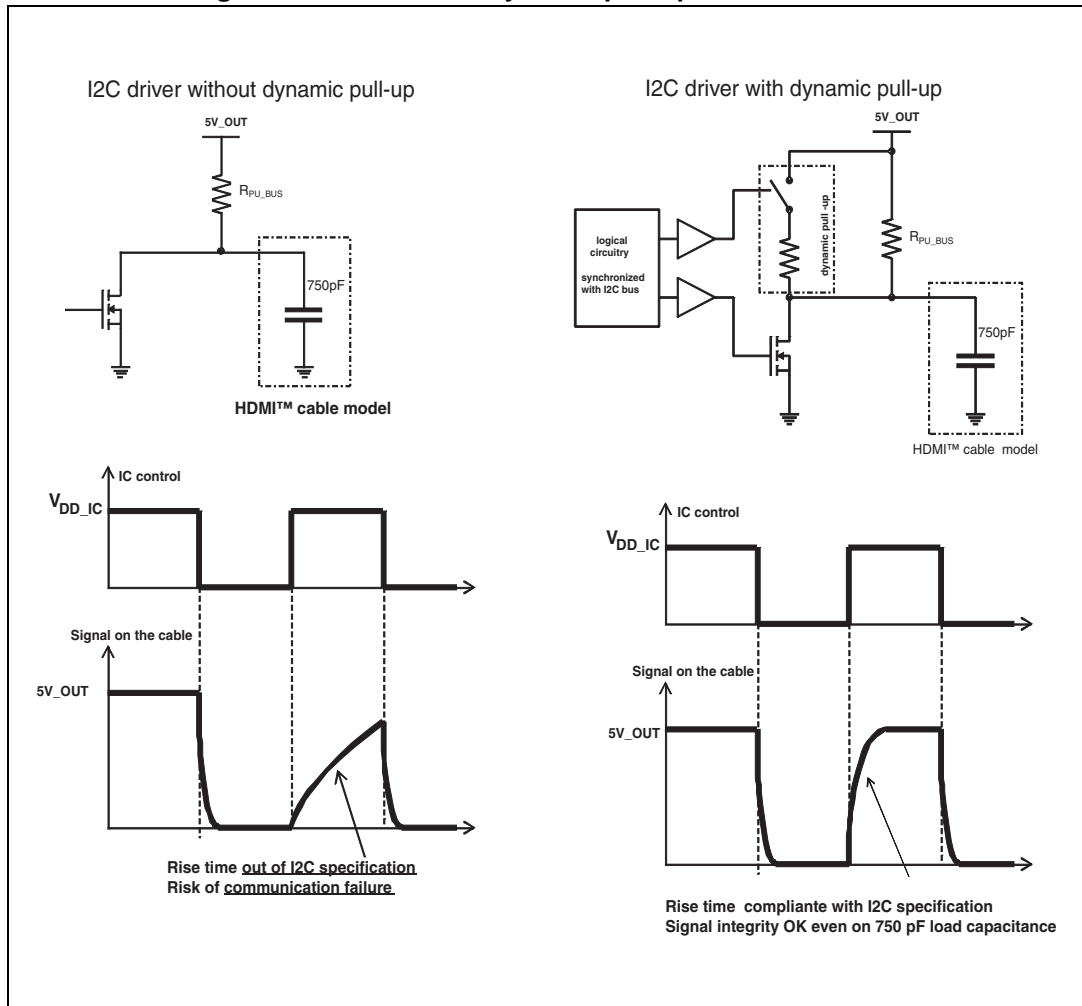
The [Figure 6](#) illustrates the electrical parameter of the DDC block specified in [Table 8](#).

Figure 6. Simplified view of the electrical parameters of the DDC block



The HDMI™ standard specifies that the max capacitance of the cable can reach up to 700 pF. Knowing that the max capacitance of the sink input can reach up to 50 pF, this means that the I2C driver must be able to drive a load capacitance up to 750 pF. On the other hand, the I2C standard specifies a maximum rise time of the signal must be lower than 1 μs in order to keep the signal integrity. Taking into account the max cable capacitance of 750 pF, it is not possible to guarantee a rise time lower than 1 μs in worst case. Therefore, a dynamic pull-up has been integrated at the output of SDA and SCL lines and synchronized with the I2C driver. This signal booster accelerates for a short period the charging time of the equivalent cable capacitance, allowing to drive any HDMI™ cable. The [Figure 7](#) illustrates the benefit of the dynamic pull-up integrated in the HDMI2C1-14HD device.

Figure 7. Benefit of the dynamic pull-up on the DDC bus



In order to activate the DDC block, the  $V_{DD\_5V}$  has to reach the specified  $V_{DD\_5V\_ON}$  threshold (see [Table 4](#)). In addition, the inputs and outputs of the bidirectional level shifters (SCL, SDA, SCL\_IC, SDA\_IC) must be set to a high level after the power-on, and the HPD line has to be activated one time.

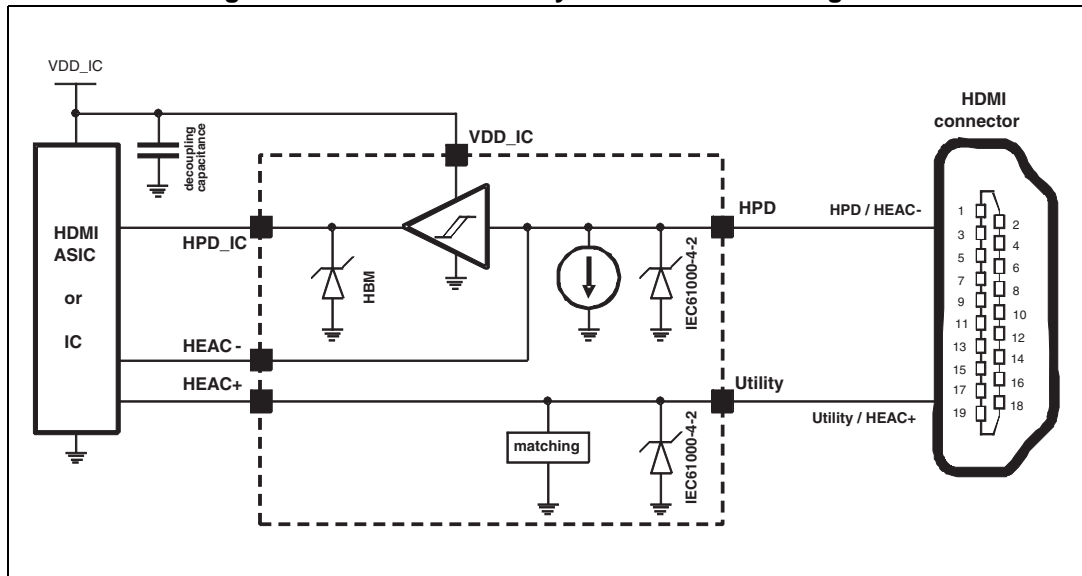
The DDC outputs (SCL and SDA on cable side) integrate a protection against ESD which is compliant with IEC61000-4-2 standard, level 4 (8 kV contact).



## 2.3 HEAC link and HPD line description

The HDMI2C1-14HD proposes a unique solution in order to manage and protect both the HEAC and the HPD links. The [Figure 8](#) shows an overview of the function diagram of the integrated block.

**Figure 8. HEAC / HPD / Utility functional block diagram**



This block simplifies the design and the PCB layout of the HPD and HEAC functions. Simply connect the 2 pins from the HDMI connector to one side of the device, and then use the 3 dedicated links on the other side of the device to manage separately the HPD and the HEAC links.

Both HPD and Utility inputs (cable side) integrate a protection against ESD which is compliant with IEC61000-4-2 standard, level 4 (8 kV contact).

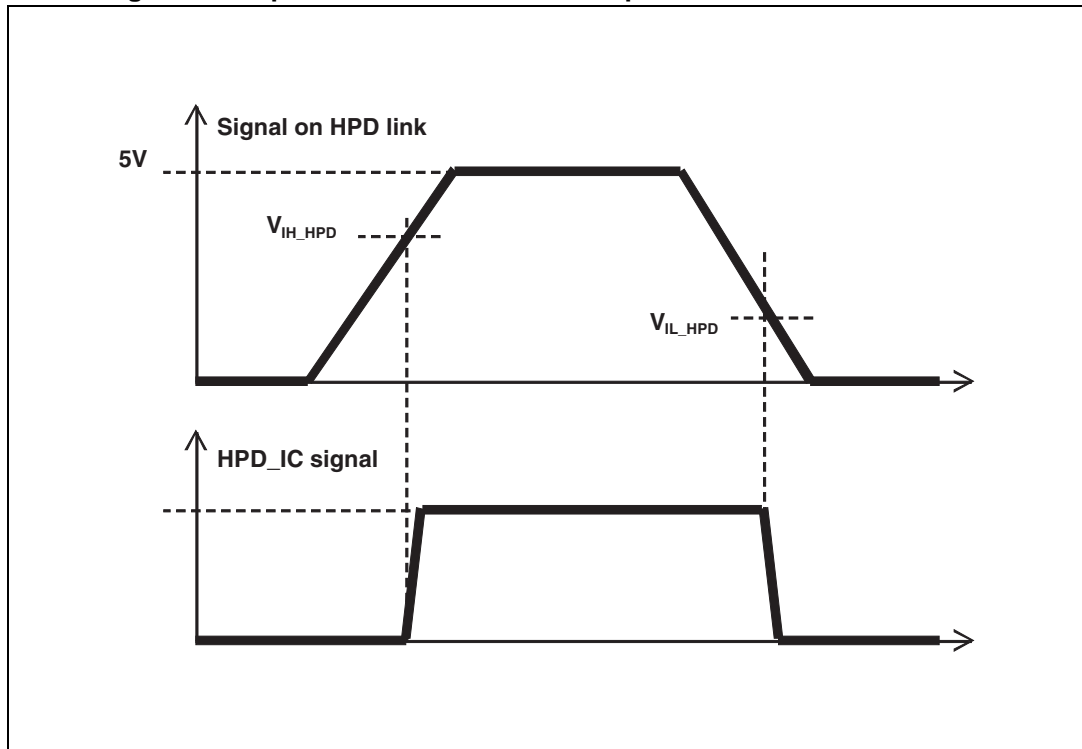
### 2.3.1 HPD line description

The HPD line is described in the HDMI™ standards as the Hot Plug Detect function. This line is used by the Source device in order to detect if a Sink device is connected through an HDMI cable.

The integrated HPD block is pulling down the line via a current source. When the input voltage is detected to be higher than a threshold level  $V_{TH\_HPD}$ , the signal is converted into a high state level on the ASIC side, at the voltage level of the ASIC power supply  $V_{DD\_IC}$ . Otherwise, HPD\_IC pin remains in low state.

The electrical parameters relevant to the HPD block and specified by the [Table 7](#) are illustrated in the [Figure 9](#).

Figure 9. Simplified view of the electrical parameters of the HPD block



### 2.3.2 HEAC functional block description

The HEAC link is described in the HDMI™ 1.4 and HDMI™ 2.0 standards as the HDMI™ Ethernet and audio return channel. It corresponds physically to one differential wired pair made of the Utility line and the HPD line. Two signals are transmitted through this link.

The first signal corresponds to the HDMI™ Ethernet channel (HEC). The signal is transmitted in differential mode (bidirectional) through the HEAC link. It is specified by the 100Base-TX IEEE 802.3 standard (fast Ethernet 100Mbps over twisted pair). Therefore, the HEC integrates an Ethernet link into the video cable, enabling IP-based applications over the HDMI™ cable.

The second signal corresponds to the Audio Return Channel (ARC). The signal is transmitted either in common mode (unidirectional, from sink to source) through the HEAC link. It is specified by the IEC 60958-1 standard. The ARC function integrates an upstream audio capability, simplifying the cabling of the audiovisual equipment. It is no more necessary to use a coaxial cable from TV to audio amplifier.

The HDMI2C1-14HD helps the designer to implement this high added value HEAC function in the application, protecting the link against the ESD with no disturbance of the signal. It provides 2 distinct outputs HEAC+ and HEAC- in order to ease as much as possible the PCB layout.

## 2.4 +5V protection and fault line functional block description

The +5 V power supply that the source device has to provide to the HDMI™ cable is described by the HDMI™ 2.0 standard. It must be protected against accidental short circuit that could occur on the cable side.

The HDMI2C1-14HD device embeds a low drop current limiter. If an over-current is detected, the HDMI2C1-14HD limits the current through the +5 V power supply. If the current is too high (short circuit), the device opens the +5 V.

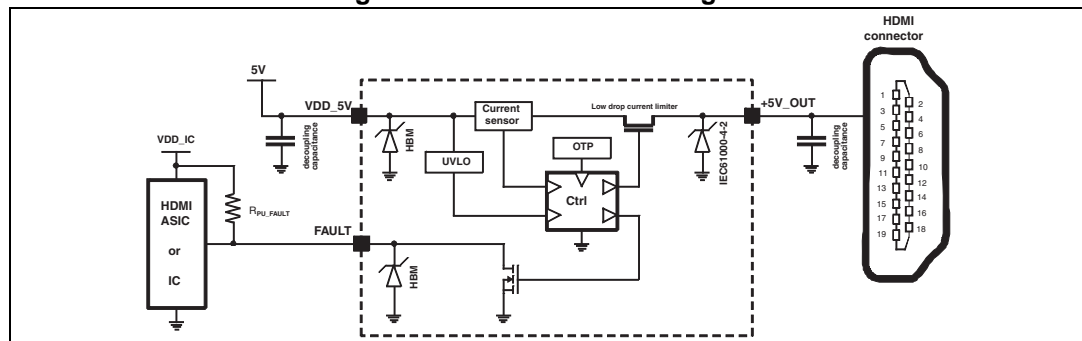
Furthermore, the HDMI2C1-14HD device embeds also an over temperature protection (OTP). If the internal temperature of the device reaches a too high value, the +5 V supply is opened in order to protect the application.

In case either the current limiter or the OTP is triggered, the fault pin switches down to low state level (open drain topology) in order to optionally inform the HDMI™ ASIC that an abnormal situation has been detected (option).

An under voltage lockout (UVLO) is also integrated in the block. It checks the main +5 V power supply state, and enables the 5V\_OUT only if the main power supply has reached a minimal value  $V_{DD\_5V\_ON}$ .

The *Figure 10* shows the functional diagram of the current limiter block.

**Figure 10. +5 V functional diagram**

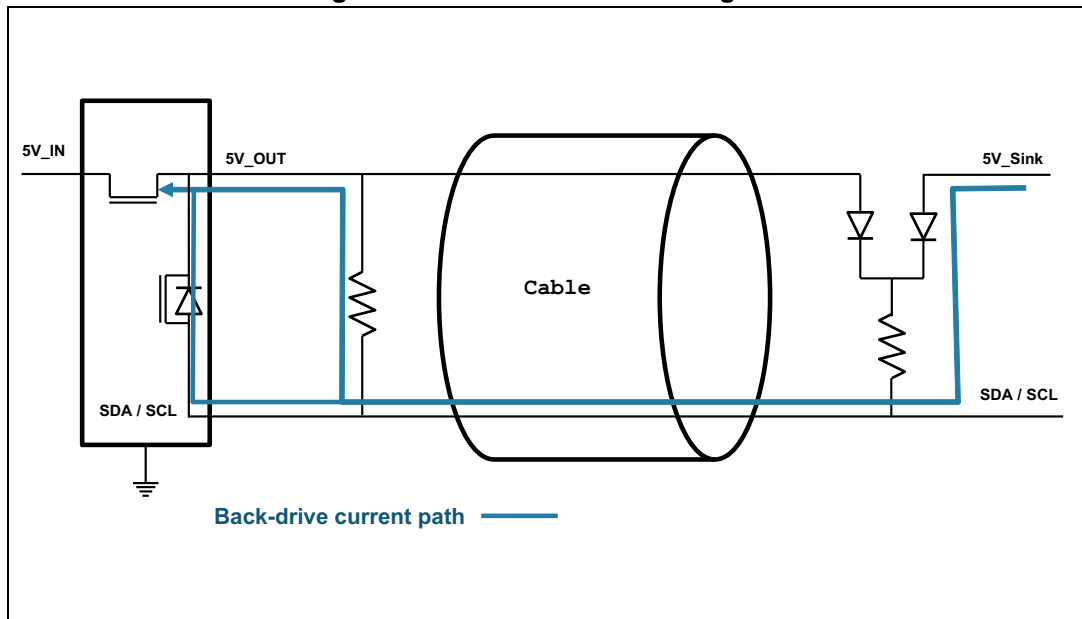


To summarize, the short circuit protection and the over temperature protection features are providing a high robustness level of the application. On top of this, the fault line can be used in order to improve the user experience.

The 5V\_OUT pin integrates a protection against ESD which is compliant with IEC61000-4-2 standard, level 4 (8 kV contact). The decoupling capacitance is mandatory, according to the power management state of the art.

## 2.5 Back drive protection

Figure 11. Back drive current diagram



Thanks to the innovative switch architecture, back drive current is blocked whatever back drive current is coming from +5V\_OUT and/or DDC lines (see figure 11).

In case of no activity on CEC bus, or if the CEC driver is off ( $V_{DD\_CEC} = 0$ ), the output CEC pin is put in high impedance mode (open circuit) protecting the circuitry and the application against hazardous back drive.

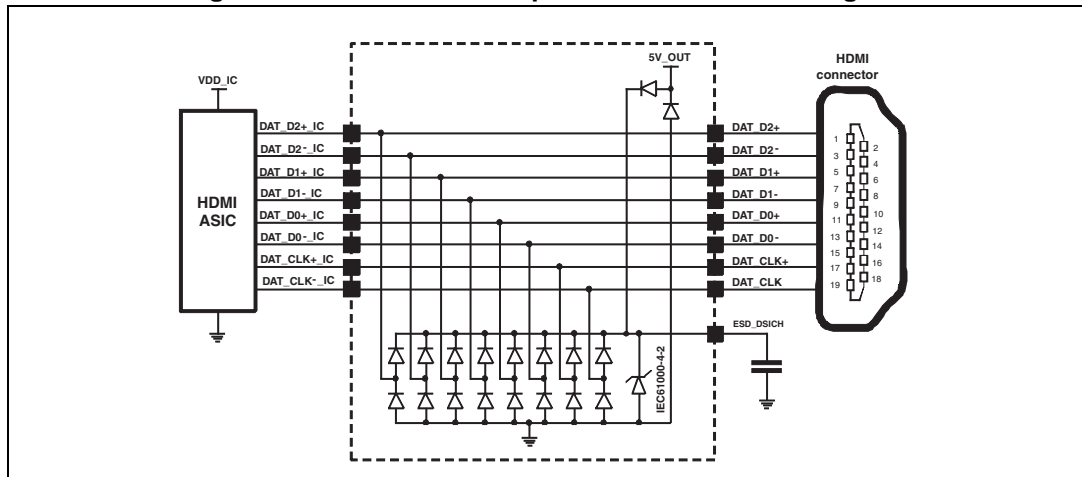
## 2.6 TMDS channels ESD protection

The TMDS (Transient Minimized Differential Signaling) channels are described by the HDMI 2.0 standard. A total of 4 unidirectional differential pairs are used to transmit the video data to the sink device. There are 3 channels dedicated to the video data, and 1 channel dedicated to the clock.

The HDMI2C1-14HD provides a simple PCB layout solution, directly compliant with HDMI connector type A. It protects the application against the ESD according to the IEC61000-4-2 level 4 standard (+/-8 kV contact). The high bandwidth of this ESD protection allows to transmit HD video data with no disturbance of the signal up to 5.94 Gbps per channel.

A capacitor can be optionally connected to the ESD\_DISCH pin in order to enhance the ESD protection performances.

Figure 12. TMDS lines ESD protection functional diagram



## 2.7 Application block diagrams

The [Figure 13](#) shows an application block diagram proposal, implementing all the possible options. The TMDS channels are simply connected to the connector and to the source HDMI ASIC. The diagram shows that the CEC driver can be totally independent from the HDMI ASIC. By this way, even if the +5 V power supply and/or if the HDMI ASIC is sleeping in stand-by mode, the CEC bus is still active in low power mode. The designer has then all the tools to optimize the power consumption of the global application in stand-by mode, and has the possibility to implement a smart wake-up through the CEC bus enhancing the final user experience.

Figure 13. Application block diagram

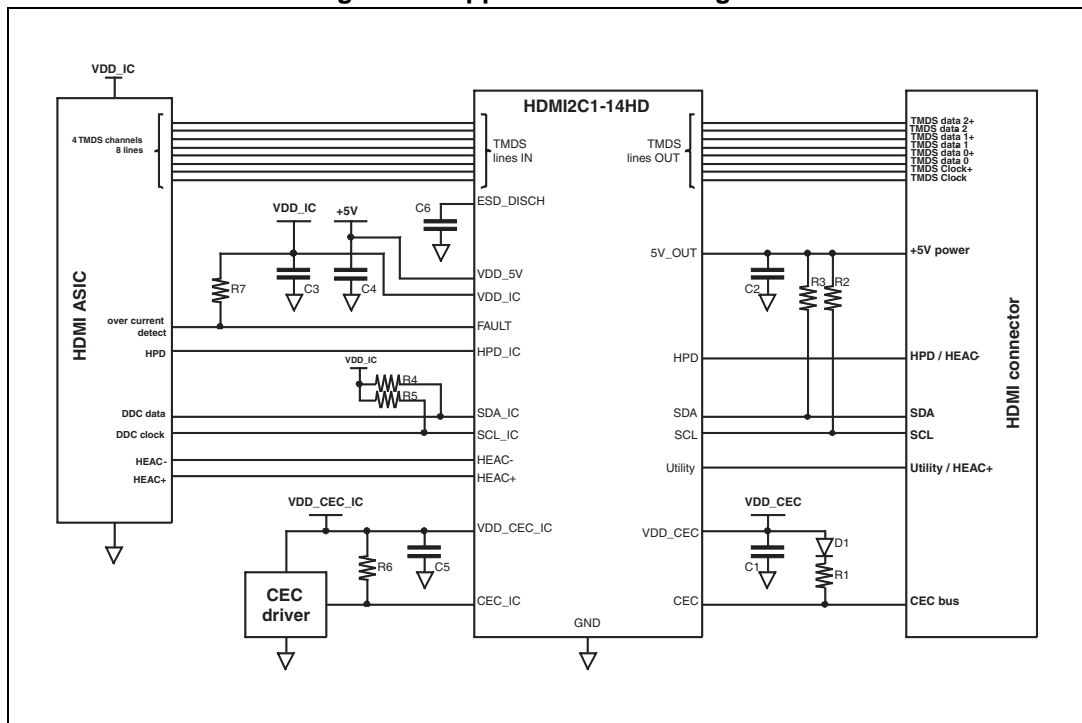
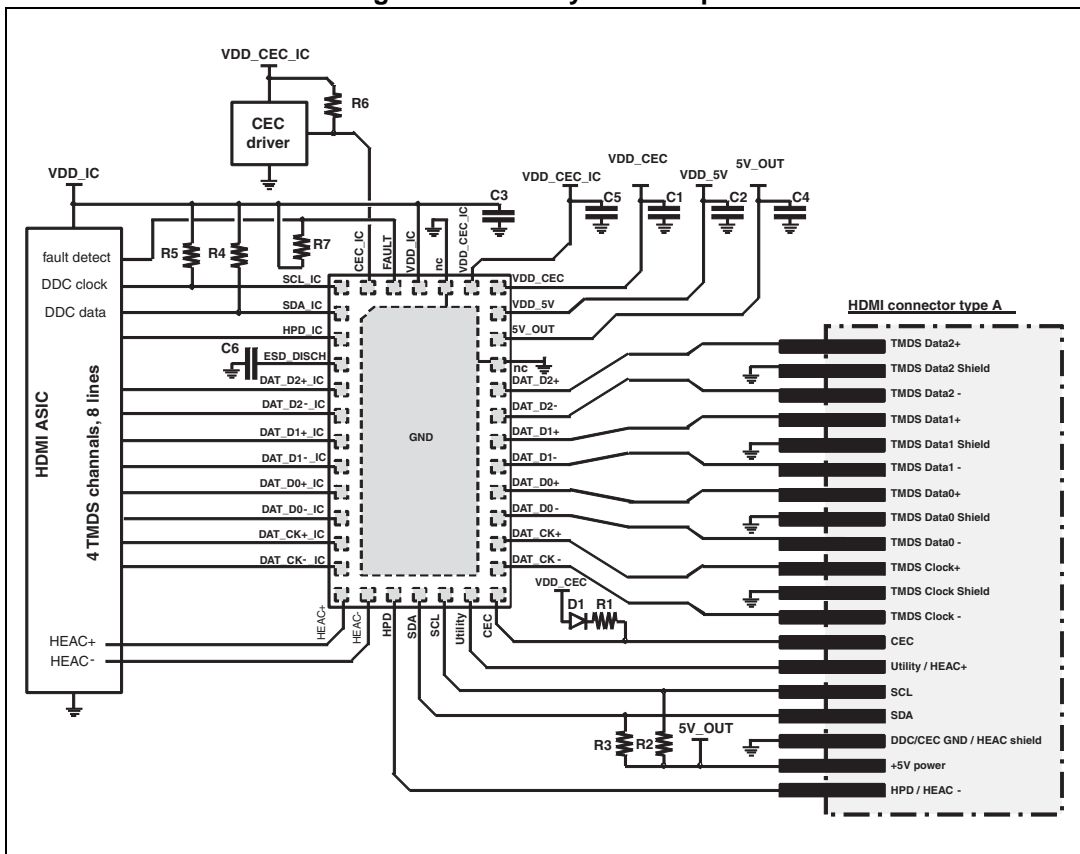


Table 1. Block diagrams references

Ref.	Typical values	Comment
R1	27 kΩ	Pull-up resistance on CEC bus, specified by the HDMI standard
R2, R3	1.8 kΩ	Pull-up resistances on DDC bus, specified by the HDMI standard
R4, R5	10 kΩ	Pull-up resistance on DDC bus, ASIC side, value selected to be compliant with I2C levels
R6	270 kΩ to 1 MΩ	Pull-up resistance on CEC line, ASIC side
R7	10 kΩ	Pull-up resistance on FAULT line (option)
D1	BAT54	Small Schottky diode blocking back drive current flowing toward the V <sub>DD_CEC</sub> supply
C1 to C5	100 nF	Decoupling capacitance on power supplies
C6	1 μF	ESD protection enhancement capacitance (option)

Note: SCL\_IC, SDA\_IC, and CEC\_IC have to be driven with an ASIC working with open drain outputs.

Figure 14. PCB layout example

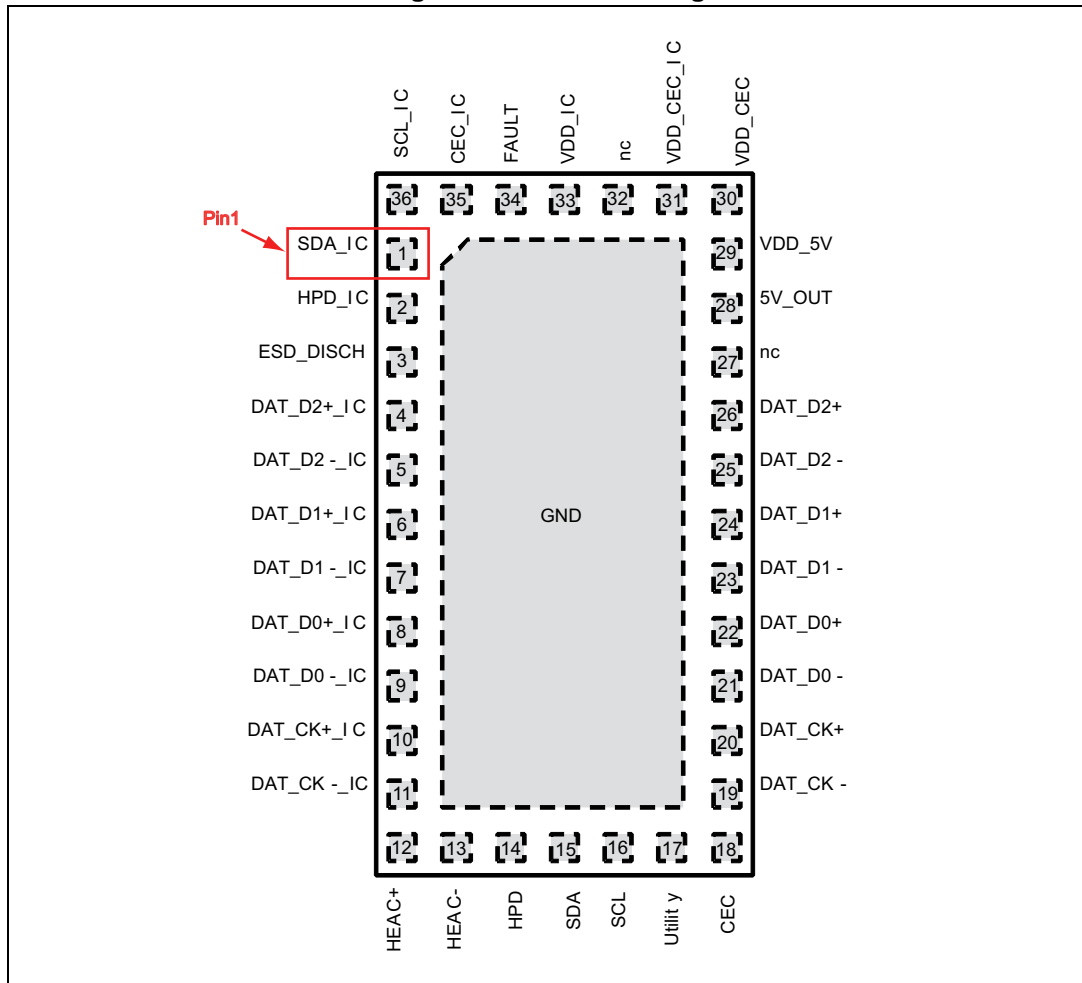


The Figure 14 illustrates the fact that the HDMI2C1-14HD pin configuration eases and optimizes the PCB layout of the HDMI interface. The proposed pin-out sequence is directly compliant with HDMI connector type A.

Table 2. Pin description

Pin	Name	Description	Pin	Name	Description
1	SDA_IC	DDC input ASIC side	19	DAT_CK-	TMDS output Clock CK-
2	HPD_IC	HPD output ASIC side	20	DAT_CK+	TMDS output Clock CK+
3	ESD_DISCH	ESD protection enhancement capacitance	21	DAT_D0-	TMDS output Data D0-
4	DAT_D2+_IC	TMDS input Data D2+	22	DAT_D0+	TMDS output Data D0+
5	DAT_D2-_IC	TMDS input Data D2-	23	DAT_D1-	TMDS output Data D1-
6	DAT_D1+_IC	TMDS input Data D1+	24	DAT_D1+	TMDS output Data D1+
7	DAT_D1-_IC	TMDS input Data D1-	25	DAT_D2-	TMDS output Data D2-
8	DAT_D0+_IC	TMDS input Data D0+	26	DAT_D2+	TMDS output Data D2+
9	DAT_D0-_IC	TMDS input Data D0-	27	NC	not connected
10	DAT_CK+_IC	TMDS input Clock CK+	28	5V_OUT	+5V power supply HDMI cable side
11	DAT_CK-_IC	TMDS input Clock CK-	29	VDD_5V	+5V main power supply
12	HEAC+	HEAC+ output ASIC side	30	VDD_CEC	CEC supply HDMI cable side
13	HEAC-	HEAC- output ASIC side	31	VDD_CEC_IC	CEC driver power supply
14	HPD	HPD/HEAC- input HDMI cable side	32	NC	not connected
15	SDA	DDC output HDMI cable side	33	VDD_IC	HDMI ASIC power supply
16	SCL	DDC output HDMI cable side	34	FAULT	Fault line output ASIC side
17	Utility	Utility/HEAC+ input HDMI cable side	35	CEC_IC	CEC input ASIC side
18	CEC	CEC output HDMI cable side	36	SCL_IC	DDC input ASIC side
			Pad	GND	Ground

Figure 15. Pin numbering





### 3 Electrical characteristics

**Table 3. Absolute maximum ratings (limiting values)**

Symbol	Parameter	Test conditions	Value	Unit
$V_{pp\_BUS}$	ESD discharge on HDMI BUS side (pin 14 to 26, and pin 28), IEC 61000-4-2 level 4	Contact discharge	$\pm 8^{(1)}$	kV
$V_{pp\_IC}$	ESD discharge (all pins), HBM JESD22-A114D level 2	Contact discharge	$\pm 2$	kV
$T_{stg}$	Storage temperature range		-55 to +150	°C
$T_{op}$	Operating temperature range		-40 to +85	°C
$T_L$	Maximum lead temperature		260	°C
$V_{DD\_5V}$ $V_{DD\_IC}$ $V_{DD\_CEC}$ $V_{DD\_CEC\_IC}$	Supply voltages		6	V
Inputs	Logical input min/max voltage range		-0.3 to 6	V

1. With a 100 nF capacitor connected to the 5V\_OUT pin.

**Table 4. Power supply characteristics ( $T_{amb} = 25\text{ °C}$ )**

Symbol	Parameter	Test conditions	Min.	Typ.	Max.	Unit
$V_{DD\_CEC}$	CEC supply voltage, bus side		2.97	3.3	3.63	V
$V_{DD\_CEC\_IC}$	CEC supply voltage, IC side		1.62		3.63	V
$V_{DD\_IC}$	Low-voltage ASIC supply voltage		1.62		3.63	V
$V_{DD\_5V}$	5 V input supply voltage range		4.9	5.0	5.3	V
$V_{DD\_5V\_ON}^{(1)}$	+5 V power on reset		3.5	3.8	4.1	V
$V_{DD\_CEC\_ON}$	CEC power on reset		2.6	2.8	2.95	V
$I_{QS\_5V}$	Quiescent currents on $V_{DD\_5V}$ , $V_{DD\_IC}$ , $V_{DD\_CEC}$ , $V_{DD\_CEC\_IC}$	$V_{DD\_5V} = 5\text{ V}$ , $V_{DD\_IC} = 1.8\text{ V}$ , $V_{DD\_CEC} = 3.3\text{ V}$ $V_{DD\_CEC\_IC} = 1.8\text{ V}$ Idle-state on CEC and DDC links, HPD and 5V_OUT links open			600	$\mu\text{A}$
$I_{QS\_IC}$					75	
$I_{QS\_CEC}$					200	
$I_{QS\_CEC\_IC}$					40	
$I_{LEAK}$	Back drive current for 5V_OUT, SDA, SCL, HPD	$V_{DD\_5V} = 0\text{ V}$ , $V_{DD\_IC} = 0\text{ V}$ , tested pin = 5 V			1	$\mu\text{A}$
$R_{th}$	Junction to ambient thermal resistance	Copper heatsink as shown by <a href="#">Figure 28</a>		75		°C/W
$T_{SD}$	Thermal Shutdown threshold		120		150	°C
$P_{TOTAL\_SB}$	Standby conditions	$V_{DD\_5V} = V_{DD\_IC} = 0\text{ V}$ $V_{DD\_CEC} = 3.3\text{ V}$ $V_{DD\_CEC\_IC} = 3.3\text{ V}$			0.8	mW

- In order to activate the DDC functional block, the 3 following conditions have to be met:
  - $V_{DD\_5V}$  has to reach the  $V_{DD\_5V\_ON}$  threshold
  - The inputs and outputs of the bidirectional level shifter must be set to a high level after the power-on
  - The HPD line has to be activated one time

**Table 5. CEC electrical characteristics<sup>(1)</sup>**

Symbol	Parameter	Test conditions	Min.	Typ.	Max.	Unit
$V_{Tup\_CEC}$	Upward input voltage threshold on bus side				2.0	V
$V_{Tdown\_CEC}$	Downward input voltage threshold on bus side		0.8			V
$V_{HYST\_CEC}$	Input hysteresis on bus side			0.4		V
$T_{RISE\_CEC}$	Output rise-time (10% to 90%)	$R_{UP\_CEC} = 14.1\text{ k}\Omega^{(2)}$			250	$\mu\text{s}$
$T_{FALL\_CEC}$	Output fall-time (90% to 10%)	$C_{CEC\_CABLE} = 7.9\text{ nF}^{(2)}$			50	$\mu\text{s}$
$I_{OFF\_CEC}$	Leakage current in powered-off state	$V_{DD\_5V} = 0\text{ V}$ $V_{DD\_IC} = 0\text{ V}$ , $V_{DD\_CEC} = 3.3\text{ V}$			1.8	$\mu\text{A}$
$V_{IL\_CEC\_IC}$	Input low level on IC side		0.5			V
$V_{IH\_CEC\_IC}$	Input high level on IC side	$V_{IH\_CEC\_IC} = 1.8\text{ V}$			1.5	V
		$V_{IH\_CEC\_IC} = 3.3\text{ V}$			1.9	
$R_{ON\_CEC}$	On resistance across CEC and CEC_IC pins	CEC pin to 0 V			100	$\Omega$
$C_{IN\_CEC}$	Input capacitance on CEC link	$V_{DD\_5V} = 0\text{ V}$ $V_{DD\_CEC} = 0\text{ V}$ $V_{DD\_IC} = 0\text{ V}$ $V_{BIAS} = 0\text{ V}$ , $f = 1\text{ MHz}$ , $V_{OSC} = 30\text{ mV}$			25 <sup>(3)</sup>	pF

- $T_{amb} = 25\text{ }^\circ\text{C}$ ,  $V_{DD\_CEC} = 3.3\text{ V}$ ,  $V_{DD\_CEC\_IC} = 1.8\text{ V}$ , unless otherwise specified
- Test conditions are compliant with worst case CEC specification:
  - Correspond to two 27 k $\Omega$  +5% pull-up resistances in parallel (compliant with HDMI CTS)
  - Max capacitance corresponding to 9 equipment chained on the CEC bus
- Maximum capacitance allowed at connector output is 200 pF in HDMI 1.4 specification

**Table 6. 5V\_out current limiter electrical characteristics<sup>(1)</sup>**

Symbol	Parameter	Test conditions	Value			Unit
			Min.	Typ.	Max.	
$V_{DROP}$	Drop-out voltage	$I_{5V\_OUT} = 55\text{ mA}$	20	50	95 <sup>(2)</sup>	mV
$I_{5V\_OUT}$	Output current <sup>(3)</sup>	$V_{5V\_OUT} = 0\text{ V}$	55		115	mA
$V_{L\_FAULT}$	Low level on FAULT pin	$R_{PU\_FAULT} = 10\text{ k}\Omega$			0.3	V

- $T_{amb} = 25\text{ }^\circ\text{C}$ ,  $V_{DD\_5V} = 5\text{ V}$ , unless otherwise specified
- HDMI 1.4 specification requires a maximum of 100 mV voltage-drop
- HDMI 1.4 standard specifies a minimal current capability of 55 mA, and an over-current protection of no more than 500 mA

Table 7. HPD, HEAC, and utility line electrical characteristics<sup>(1)</sup>

Symbol	Parameter	Test conditions	Value			Unit
			Min.	Typ.	Max.	
I <sub>PULL_DOWN</sub>	Pull-down current in HPD block			15	25	μA
V <sub>TH_HP</sub>	HPD input threshold		1.0		1.7	V
C <sub>IN_HP</sub> C <sub>IN_UTILIT</sub> Y	Input capacitance	V <sub>DD_5V</sub> = 0 V, V <sub>BIAS</sub> = 0 V f = 1 MHz, V <sub>OSC</sub> = 30 mV		9		pF
f <sub>CUT_HEAC</sub>	Cut-off frequency of HEAC bus			500		MHz

1. T<sub>amb</sub> = 25°C, V<sub>DD\_5V</sub> = 5 V, unless otherwise specified.

Table 8. DDC bus (SDA and SCL lines) electrical characteristics<sup>(1)</sup>

Symbol	Parameter	Test conditions	Value			Unit
			Min.	Typ.	Max.	
V <sub>Tup_BUS</sub>	Upward input voltage threshold on bus side				3.5	V
V <sub>Tdown_BUS</sub>	Downward input voltage threshold on bus side		1.5			V
V <sub>HYST_BUS</sub>	Input hysteresis on bus side		1.0		1.3	V
V <sub>OL_BUS</sub>	Output low level	Current sunk by SDA and SCL pin is 3 mA			0.35	V
T <sub>RISE_BUS</sub>	Output rise-time (30% to 70%)	C <sub>BUS</sub> = 750 pF <sup>(2)</sup> R <sub>UP</sub> = 2 kΩ // 47 kΩ + 10% <sup>(3)</sup>			500	ns
T <sub>FALL_BUS</sub>	Output fall-time (30% to 70%)				50	ns
V <sub>Tup_IC</sub>	Upward input voltage threshold on IC side		55	60	65	%V <sub>DD_IC</sub>
V <sub>Tdown_IC</sub>	Downward input voltage thresholds IC side		35	40	45	%V <sub>DD_IC</sub>
V <sub>OL_IC</sub>	Output low level on IC side	Current sunk by SDA_IC or SCL_IC pins is 500 μA			20	%V <sub>DD_IC</sub>
C <sub>IN_DDC</sub>	Input capacitance on DDC link	V <sub>DD_5V</sub> = 0 V V <sub>DD_IC</sub> = 0 V V <sub>DD_CEC</sub> = 0 V V <sub>BIAS</sub> = 0 V, f = 1 MHz V <sub>OSC</sub> = 30 mV		9	17 <sup>(4)</sup>	pF

1. T<sub>amb</sub> = 25 °C, V<sub>DD\_5V</sub> = 5 V, V<sub>DD\_IC</sub> = 1.8 V, unless otherwise specified

2. Maximum load capacitance allowed on I2C entire link (cable + connector) is 750 pF in HDMI 1.4 specification.

3. Two pull-up resistors in parallel (sink 47 kΩ + source 2 kΩ).

4. Maximum capacitance allowed at connector output is 50 pF in HDMI 1.4 specification

Table 9. TMDS links electrical characteristics<sup>(1)</sup>

Symbol	Parameter	Test conditions	Value			Unit
			Min.	Typ.	Max.	
f <sub>CUT_TMDS</sub>	Bandwidth at - 3dB	Single Ended mode		4.7 <sup>(2)</sup>		GHz
		Differential mode		6.5 <sup>(2)</sup>		
V <sub>BR</sub>	Breakdown voltage		6			V
I <sub>RM</sub>	Leakage current	V <sub>RM</sub> = 3.3 V			100	nA
C <sub>I/O-GND</sub>	Capacitance input/output to ground	V <sub>I/O</sub> =0 V, f=1 MHz, V <sub>OSC</sub> =30 mV			1.5	pF
V <sub>CL</sub>	Clamping voltage	I <sub>PP</sub> = 16 A, IEC61000-4-2, I/O to GND, ESD_DISCH = 1 μF		10		V
ΔC <sub>I/O-GND</sub>	Capacitance variation	V <sub>I/O</sub> = 0V, f=1 MHz, V <sub>OSC</sub> =30 mV		50		fF
Z <sub>DIFF</sub>	Differential impedance	tr = 200ps (10%-90%) Z <sub>DIFF</sub> =100Ω	85	100	115	Ω

1. Tamb =25°C, VDD\_5V = 5V, unless otherwise specified
2. The bandwidth is large enough to operate up to 340 MHz as HDMI clock frequency, corresponding to 10.2 Gbps total data rate, 3.4 Gbps on each lane

Figure 16. TMDS line S<sub>21</sub> frequency curve

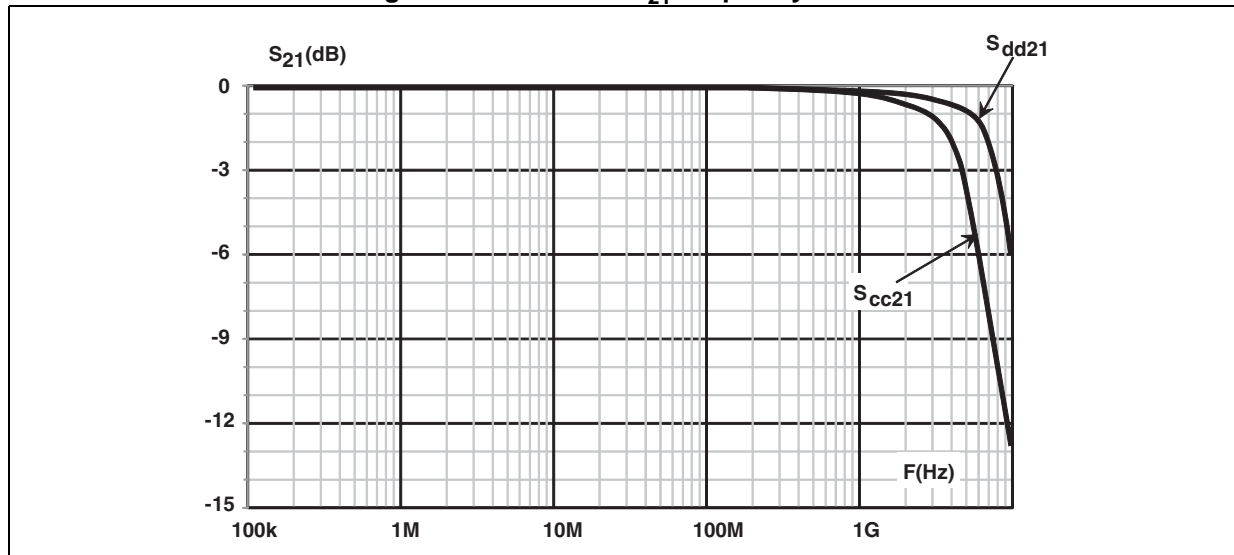


Figure 17. TMDS line differential far end crosstalk curve

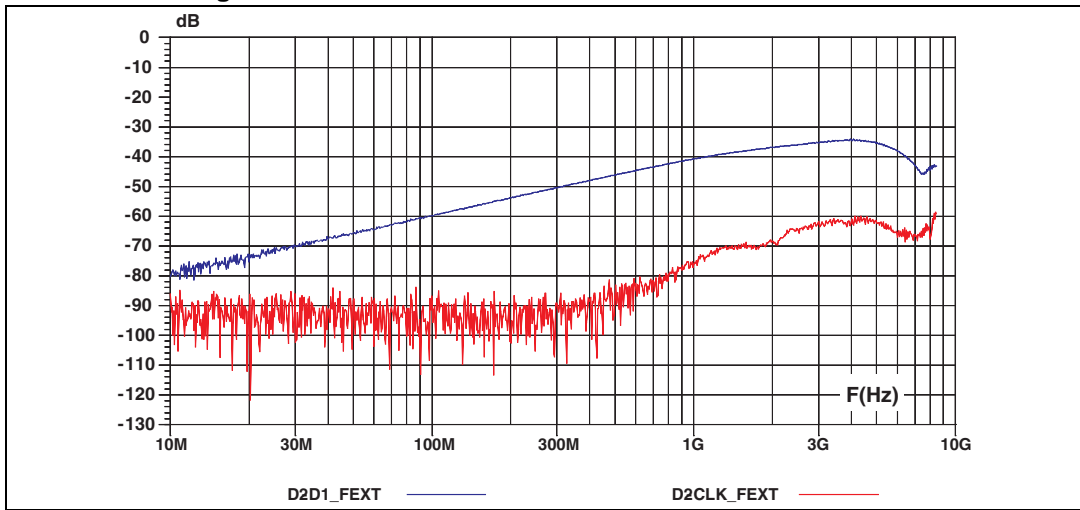


Figure 18. TMDS line: remaining voltage when positive 8 kV ESD surge applied

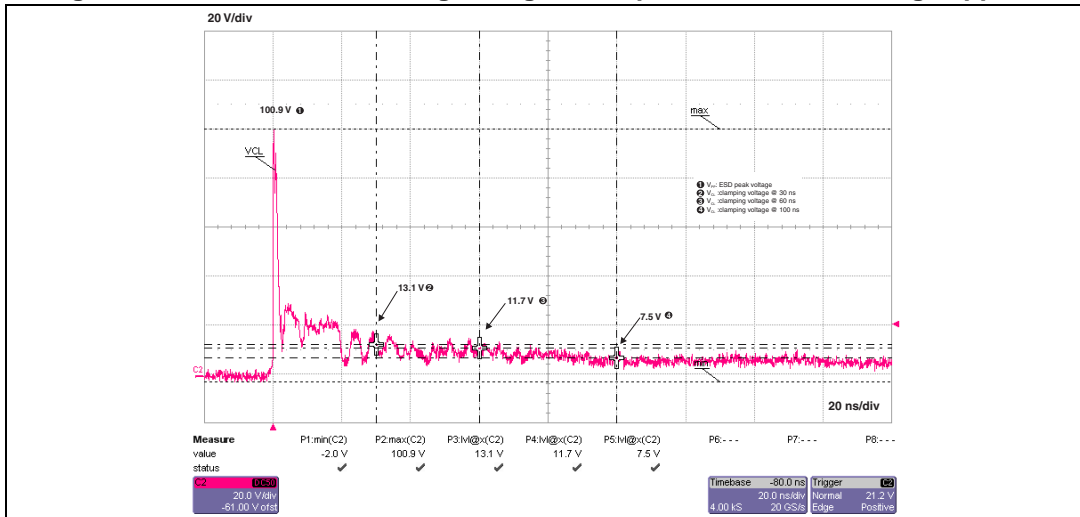


Figure 19. TMDS line: remaining voltage when negative 8 kV ESD surge applies

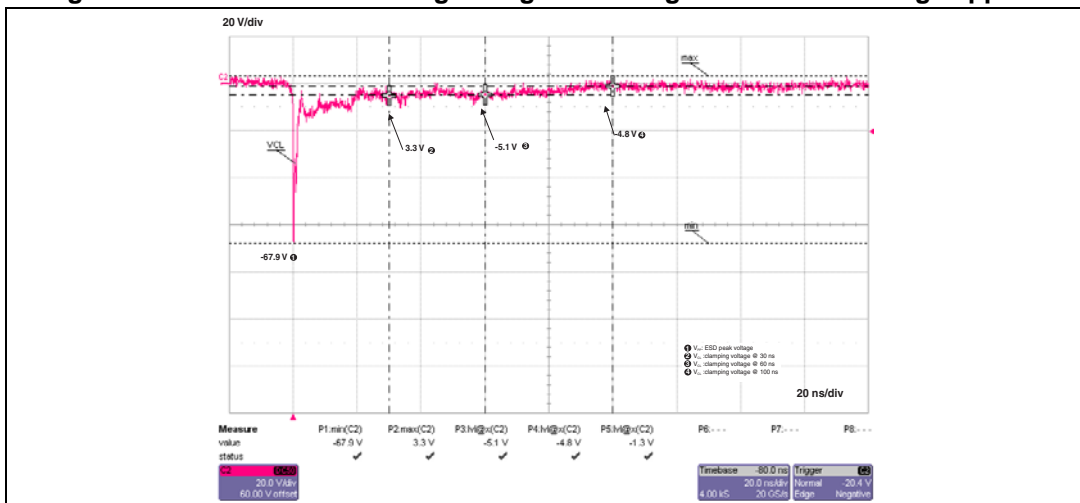


Figure 20. Eye diagram of TMDS line: D0, D1, D2 and CLK lanes (1.485 Gbps)

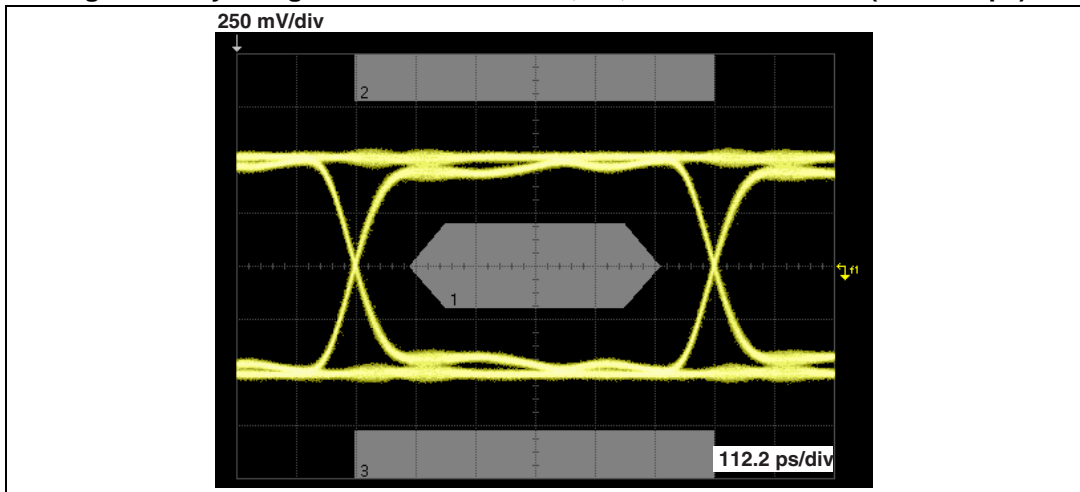


Figure 21. Eye diagram of TMDS line: D0, D1, D2 and CLK lanes (3.350 Gbps)

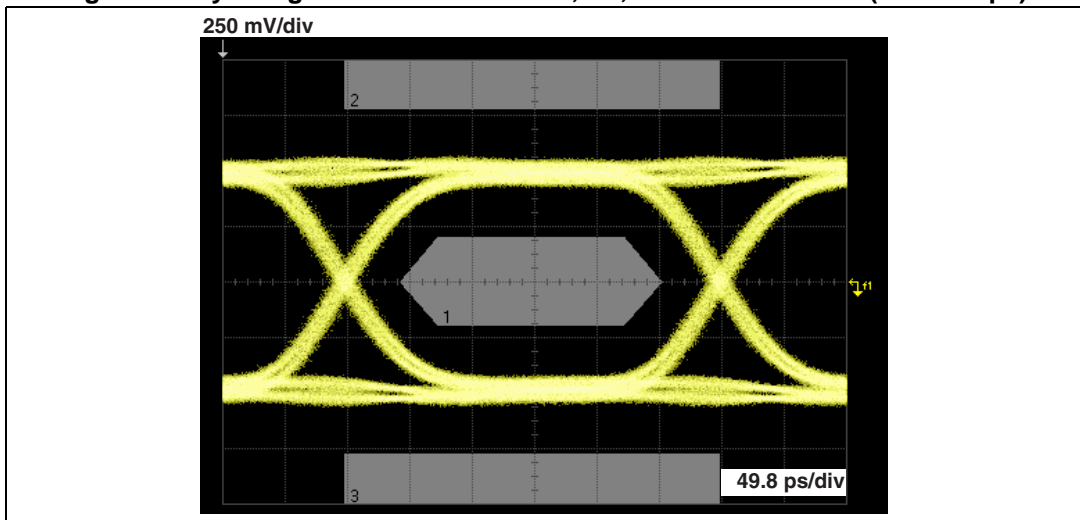


Figure 22. TDR of TMDS lines: D0, D1, D2, CLK lanes

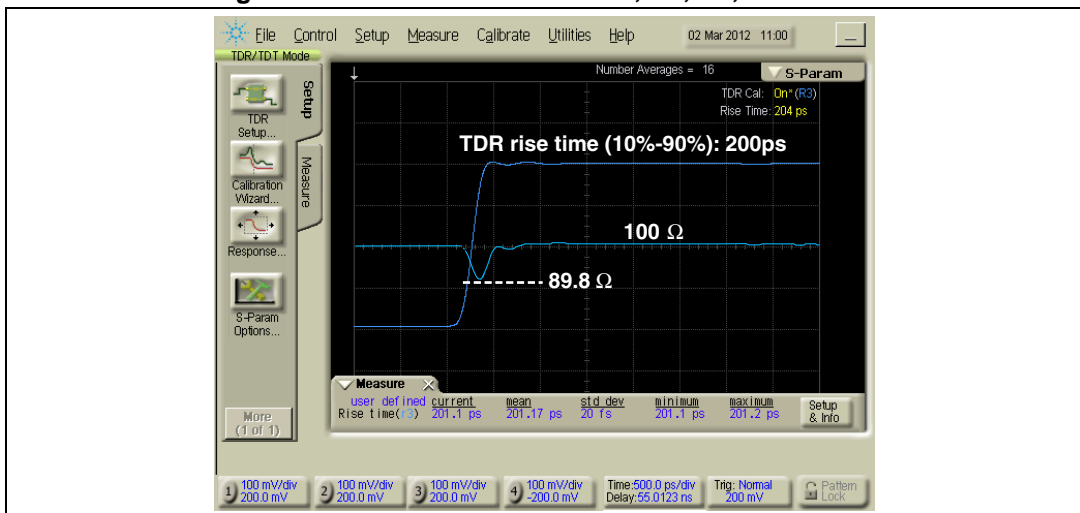


Figure 23. CEC typical waveforms (source to sink communication)

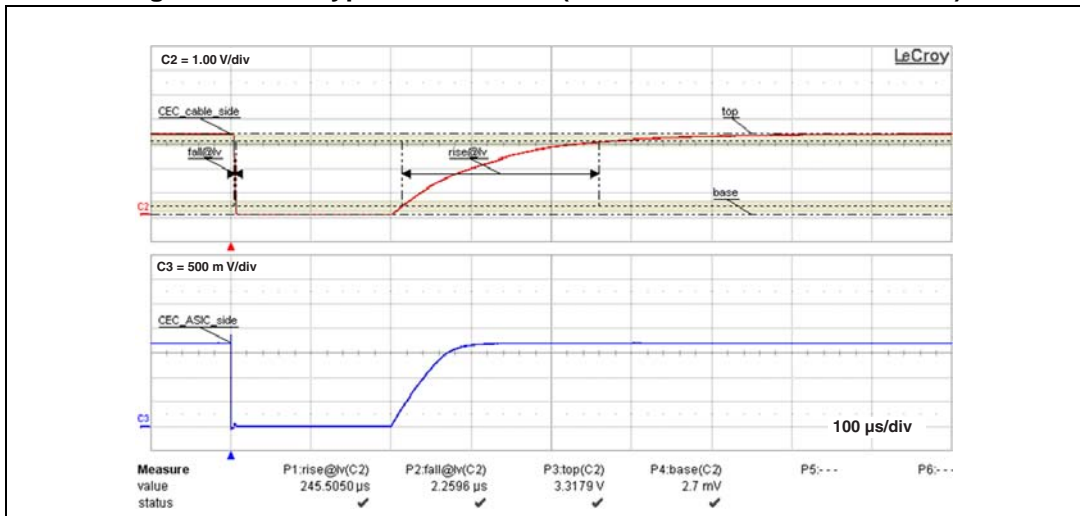


Figure 24. CEC typical waveforms (sink to source communication)

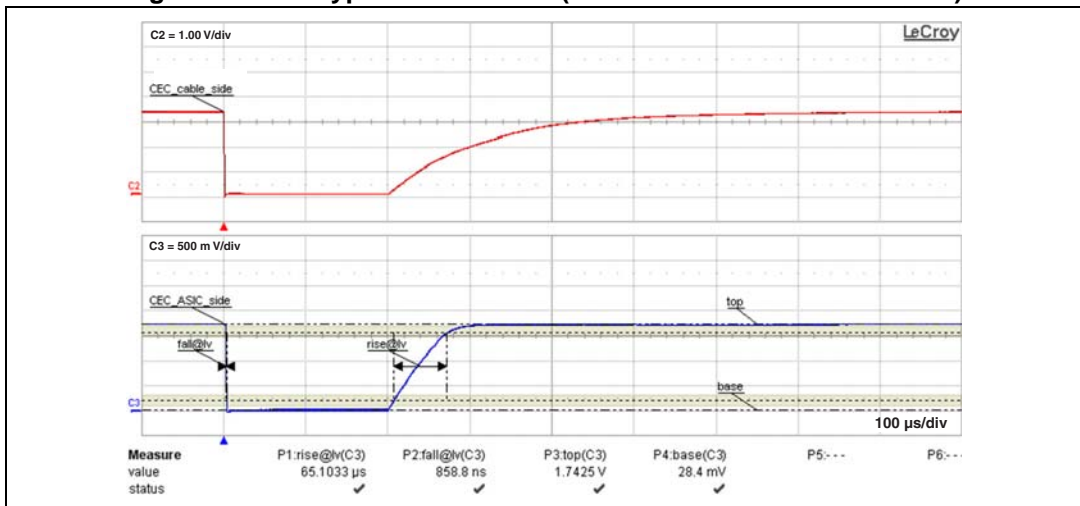


Figure 25. DDC typical waveforms (sink to source communication)

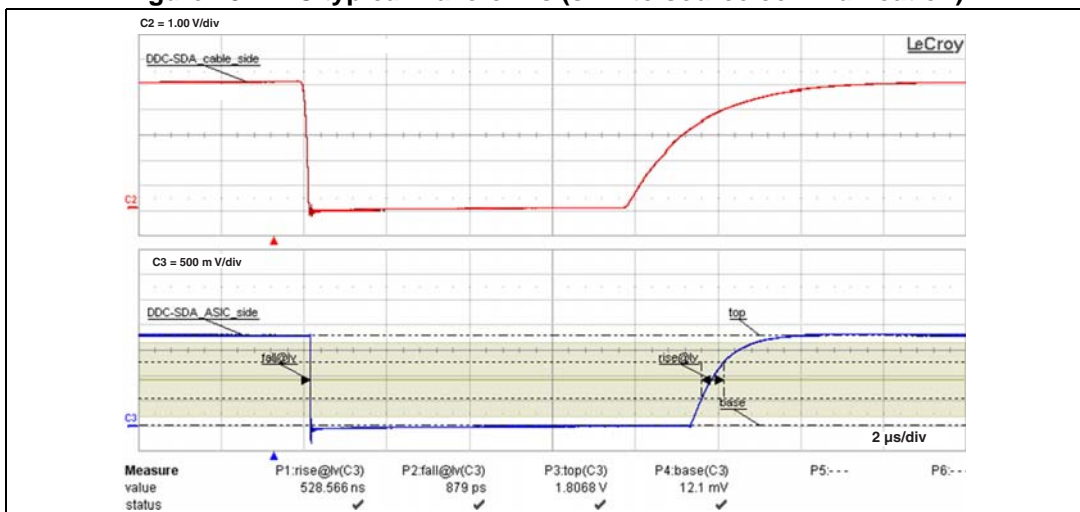


Figure 26. DDC typical waveforms (source to sink communication)

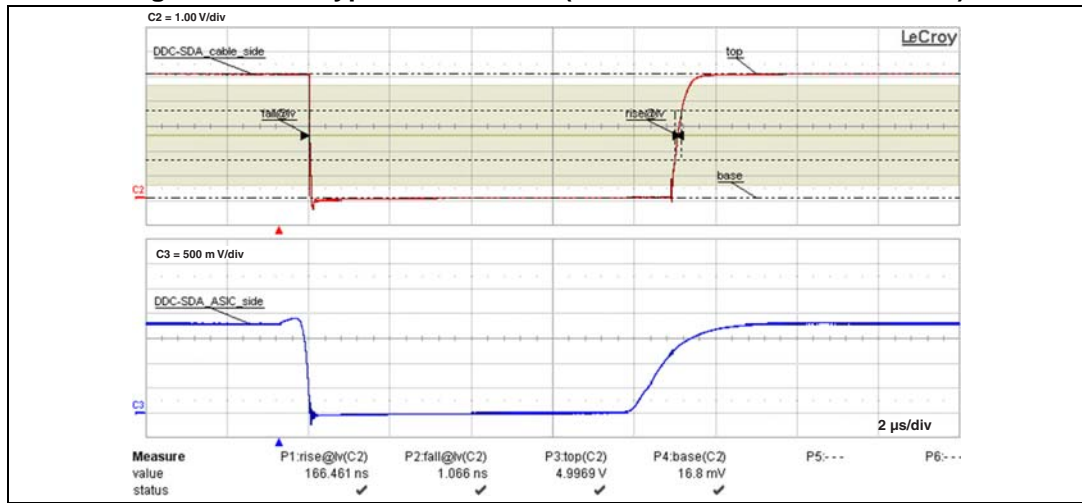


Figure 27. HPD typical waveforms (timing)

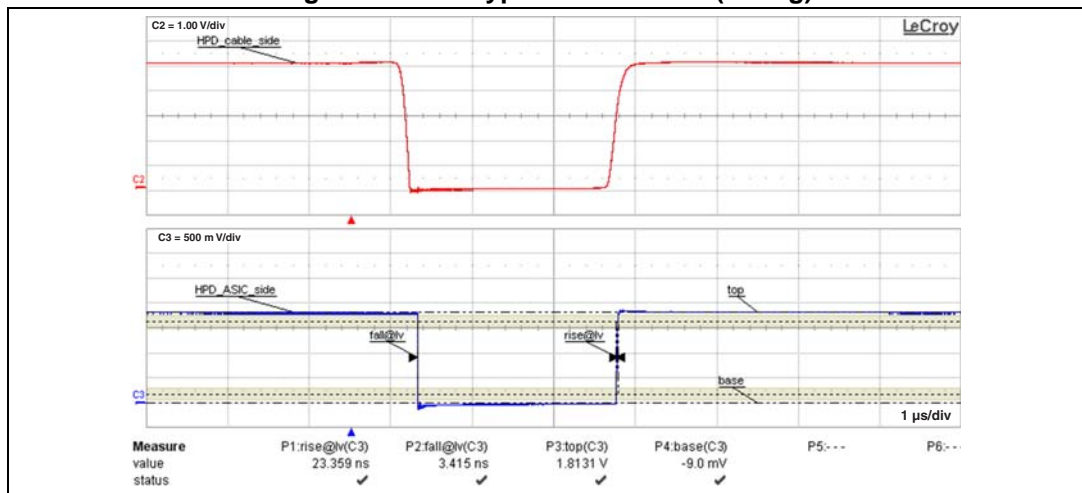
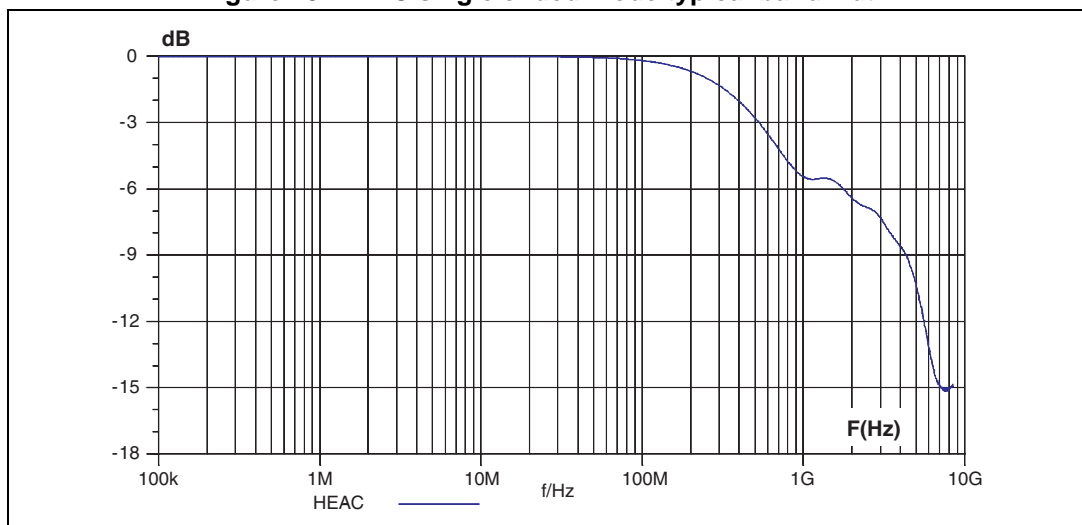


Figure 28. HEAC single ended mode typical bandwidth





## 4 Package information

- Epoxy meets UL94, V0
- Lead-free packages

In order to meet environmental requirements, ST offers these devices in different grades of ECOPACK® packages, depending on their level of environmental compliance. ECOPACK® specifications, grade definitions and product status are available at: [www.st.com](http://www.st.com). ECOPACK® is an ST trademark.

### 4.1 QFN package information

Figure 29. QFN package outline

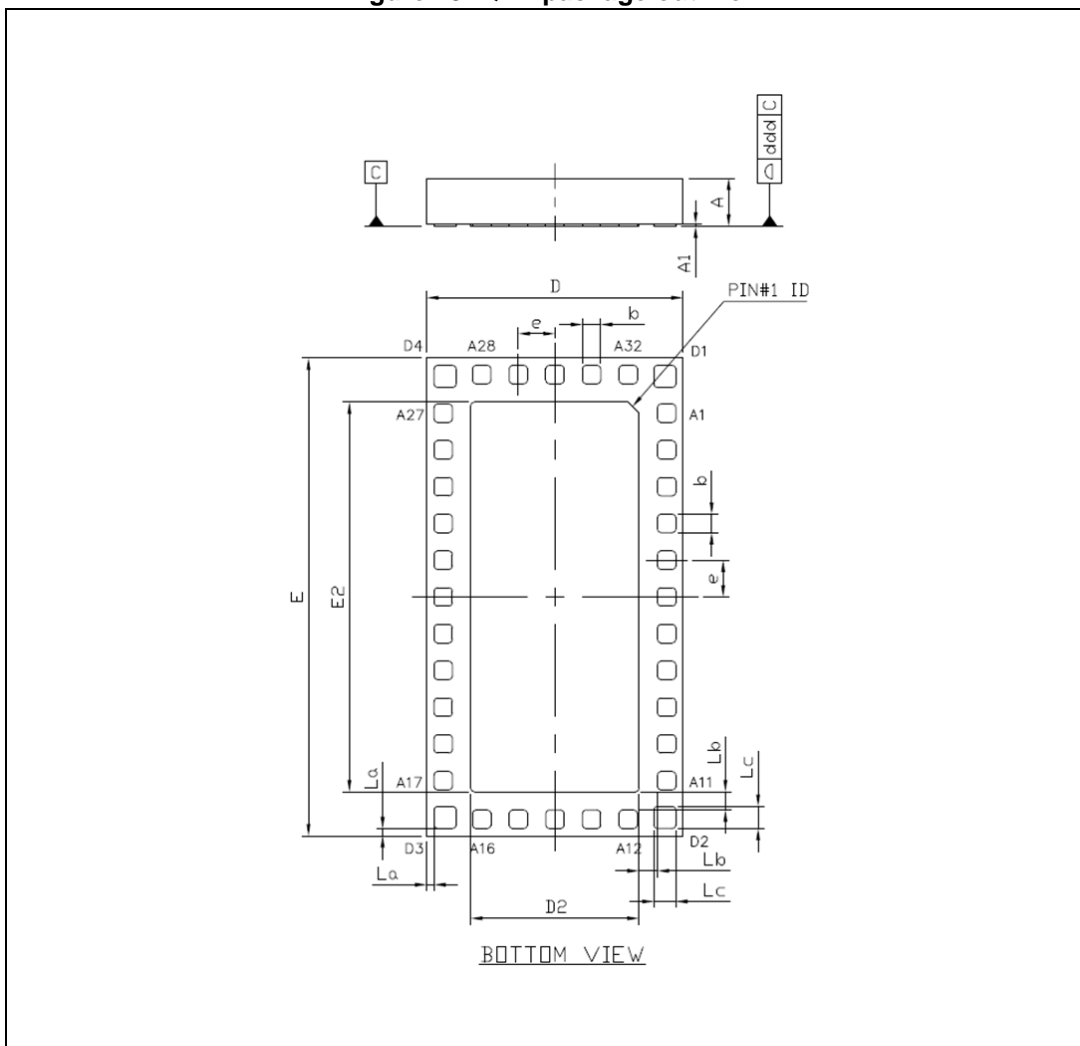
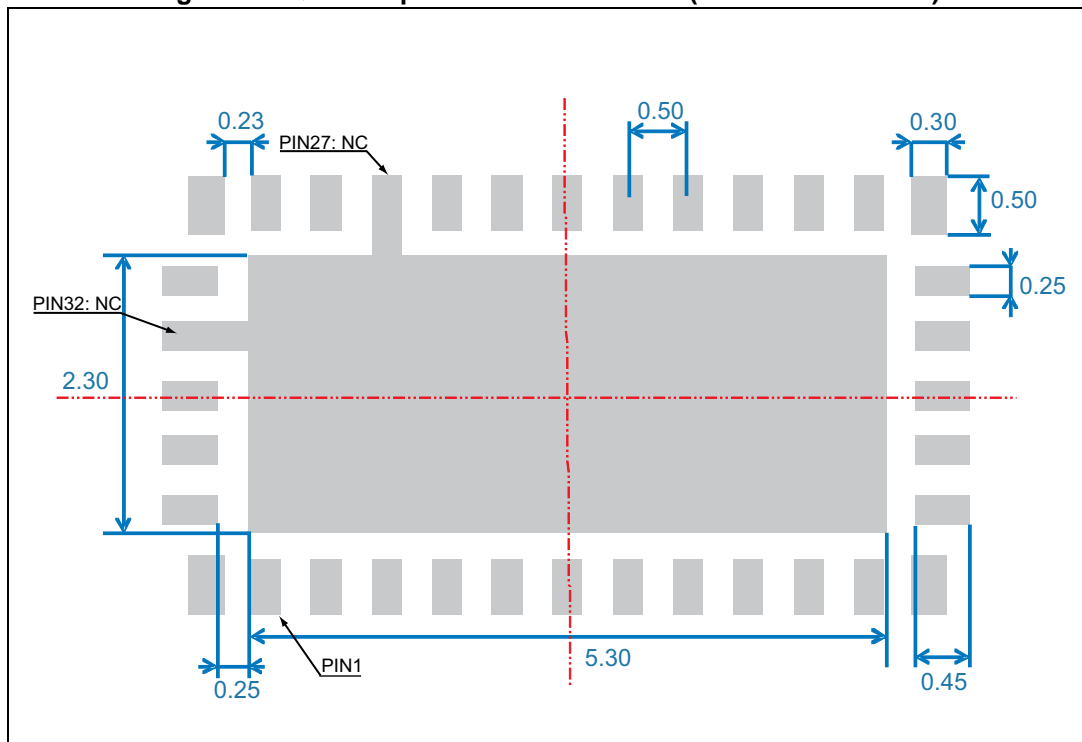


Table 10. QFN package mechanical data

Ref.	Dimensions					
	Millimeters			Inches <sup>(1)</sup>		
	Typ.	Min.	Max.	Typ.	Min.	Max.
A	0.85	0.90	0.95	0.033	0.035	0.037
A1	0.00		0.05	0.000		0.002
b	0.18	0.25	0.30	0.007	0.010	0.012
D	3.40	3.50	3.60	0.134	0.137	0.141
D2	2.25	2.30	2.35	0.088	0.090	0.092
E	6.40	6.50	6.60	0.251	0.255	0.259
E2	5.25	5.30	5.35	0.206	0.208	0.210
e		0.50			0.020	
La	0.00	0.10	0.20	0.00	0.004	0.008
Lb	0.15	0.25	0.30	0.006	0.01	0.012
Lc	0.20	0.30	0.40	0.008	0.012	0.016
ddd		0.09			0.003	

1. Values in inches are converted from mm and rounded to 4 decimal digits.

Figure 30. QFN footprint recommendation (dimensions in mm)



## 4.2 Packing information

Figure 31. Marking specification

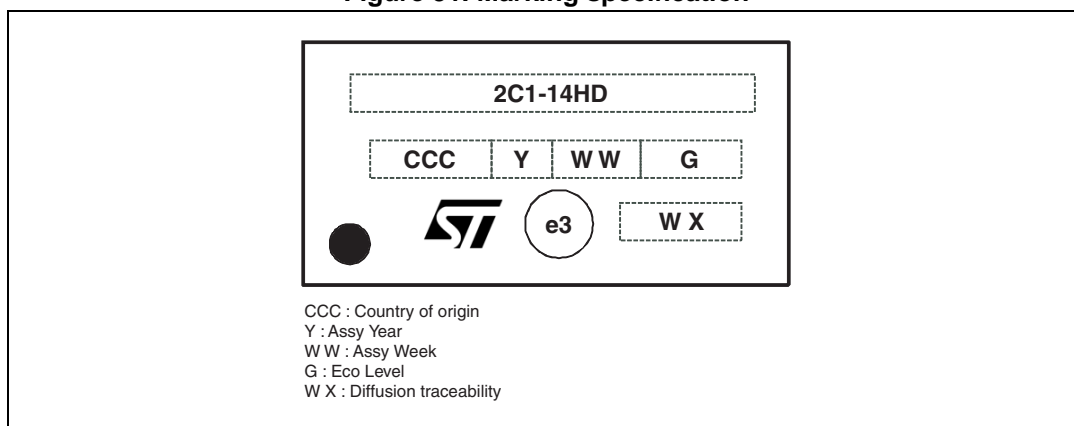
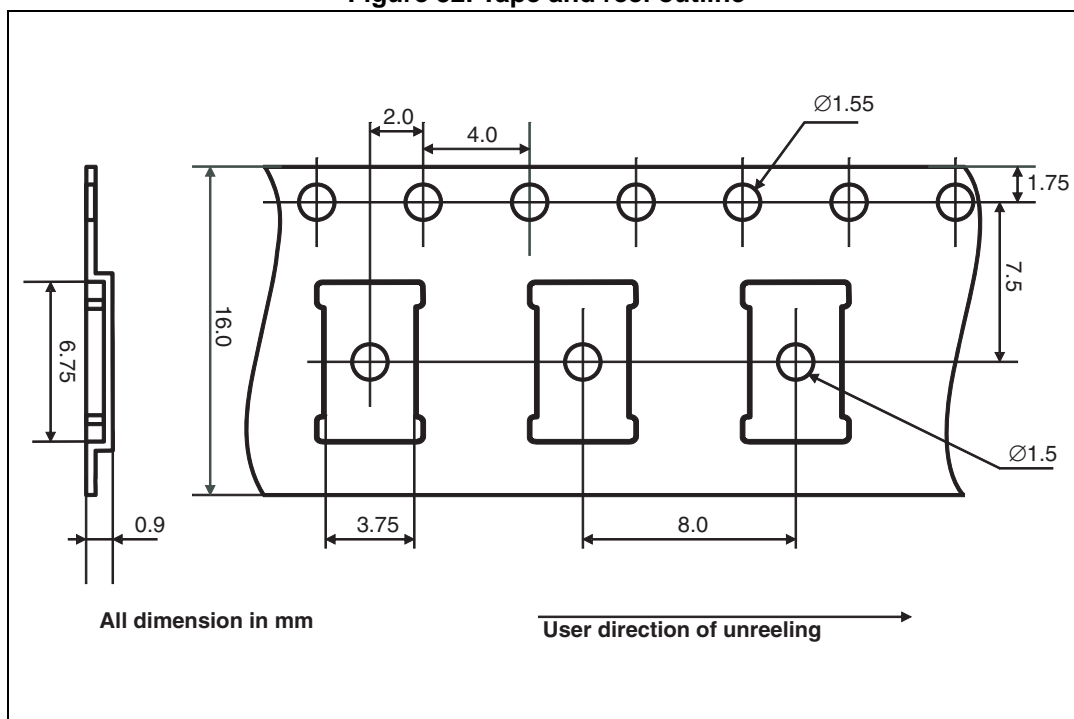


Figure 32. Tape and reel outline

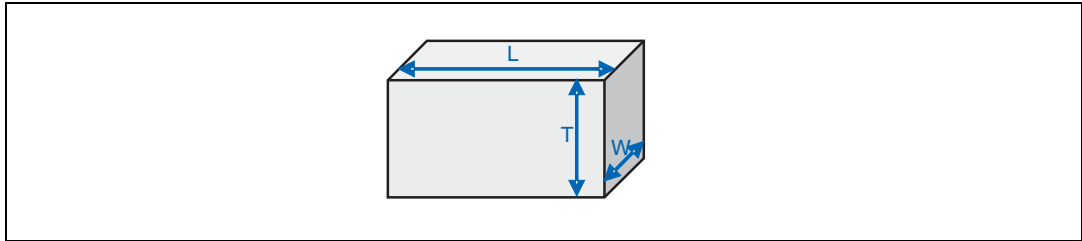


## 5 Recommendation on PCB assembly

### 5.1 Stencil opening design

1. General recommendation on stencil opening design
  - a) Stencil opening dimensions: L (Length), W (Width), T (Thickness).

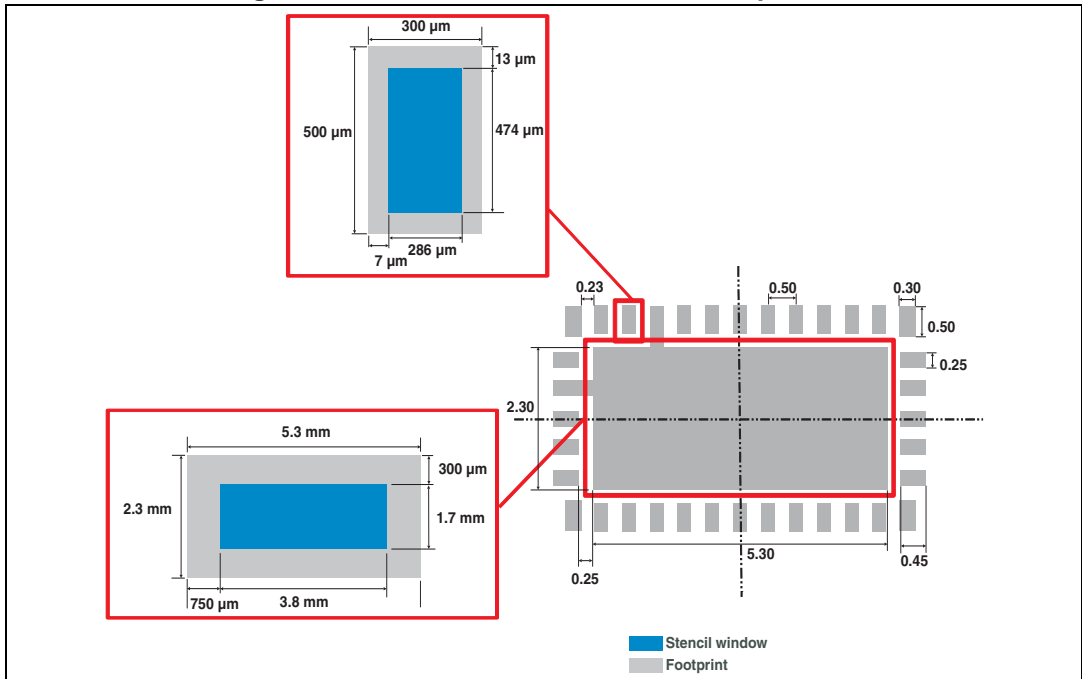
Figure 33. Stencil opening dimensions



- b) General design rule
  - Stencil thickness (T) = 75 ~ 125 μm
  - Aspect Ratio =  $\frac{W}{T} \geq 1,5$
  - Aspect Area =  $\frac{L \times W}{2T(L + W)} \geq 0,66$

2. Reference design
  - a) Stencil opening thickness: 100 μm
  - b) Stencil opening for central exposed pad: Opening to footprint ratio is 50%.
  - c) Stencil opening for leads: Opening to footprint ratio is 90%.

Figure 34. Recommended stencil window position



## 5.2 Solder paste

1. Use halide-free flux, qualification ROL0 according to ANSI/J-STD-004.
2. “No clean” solder paste recommended.
3. Offers a high tack force to resist component displacement during PCB movement.
4. Use solder paste with fine particles: powder particle size 20-45  $\mu\text{m}$ .

## 5.3 Placement

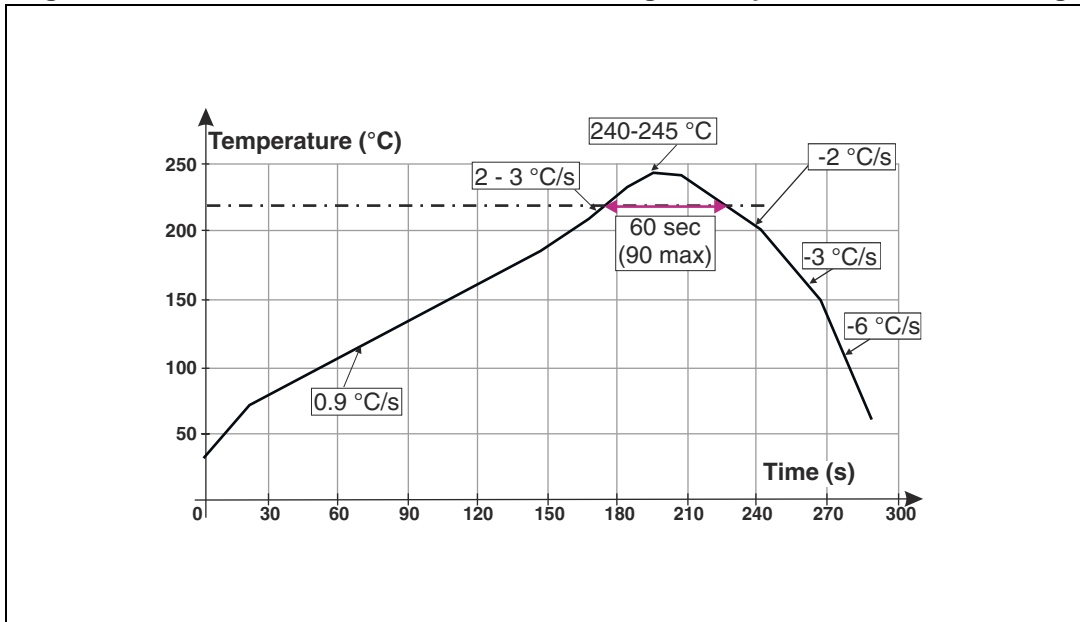
1. Manual positioning is not recommended.
2. It is recommended to use the lead recognition capabilities of the placement system, not the outline centering.
3. Standard tolerance of  $\pm 0.05$  mm is recommended.
4. 3.5 N placement force is recommended. Too much placement force can lead to squeezed out solder paste and cause solder joints to short. Too low placement force can lead to insufficient contact between package and solder paste that could cause open solder joints or badly centered packages.
5. To improve the package placement accuracy, a bottom side optical control should be performed with a high resolution tool.
6. For assembly, a perfect supporting of the PCB is recommended during solder paste printing, pick and place and reflow soldering by using optimized tools.

## 5.4 PCB design preference

1. To control the solder paste amount, closed vias are recommended instead of open vias.
2. The position of tracks and open vias in the solder area should be well balanced. Symmetrical layout is recommended, in case any tilt phenomena caused by asymmetrical solder paste amount due to the solder flow away.

### 5.5 Reflow profile

Figure 35. ST ECOPACK<sup>®</sup> recommended soldering reflow profile for PCB mounting



Note: Minimize air convection currents in the reflow oven to avoid component movement.

## 6 Ordering information

Figure 36. Ordering information scheme

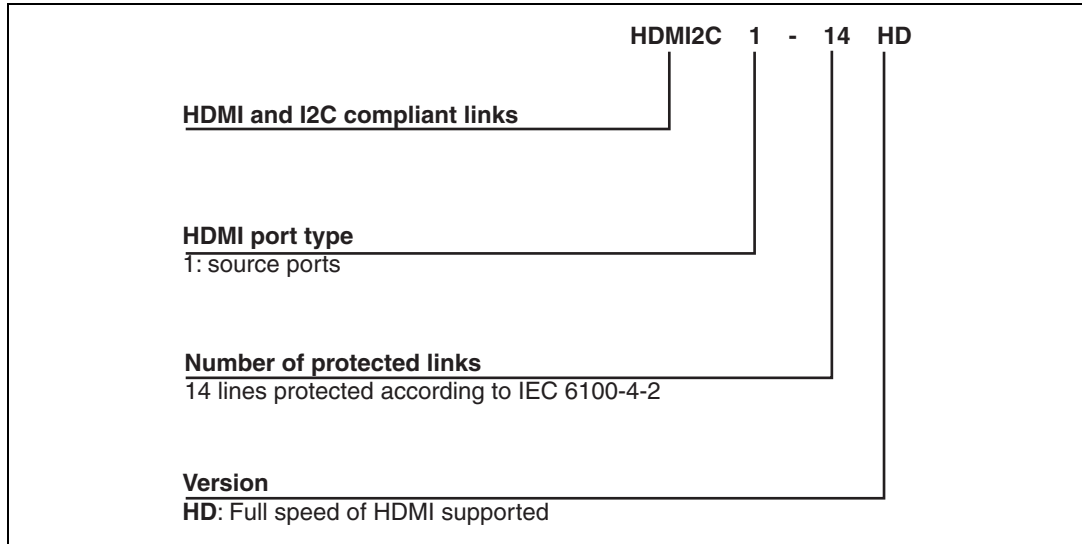


Table 11. Ordering information

Order code	Marking	Package	Weight	Base qty	Delivery mode
HDMI2C1-14HD	2C1-14HD	QFN	51,6 mg	4,000	Tape and Reel

## 7 Revision history

Table 12. Document revision history

Date	Revision	Changes
23-Jan-2013	1	Initial release
04-May-2015	2	Updated <a href="#">Features</a> , <a href="#">Applications</a> , <a href="#">Description</a> and <a href="#">Figure 30</a> . Added <a href="#">Figure 2</a> and <a href="#">Back drive protection</a> . Updated <a href="#">Table 1</a> , <a href="#">Table 4</a> , <a href="#">Table 9</a> and reformatted to current standard.

**IMPORTANT NOTICE – PLEASE READ CAREFULLY**

STMicroelectronics NV and its subsidiaries ("ST") reserve the right to make changes, corrections, enhancements, modifications, and improvements to ST products and/or to this document at any time without notice. Purchasers should obtain the latest relevant information on ST products before placing orders. ST products are sold pursuant to ST's terms and conditions of sale in place at the time of order acknowledgement.

Purchasers are solely responsible for the choice, selection, and use of ST products and ST assumes no liability for application assistance or the design of Purchasers' products.

No license, express or implied, to any intellectual property right is granted by ST herein.

Resale of ST products with provisions different from the information set forth herein shall void any warranty granted by ST for such product.

ST and the ST logo are trademarks of ST. All other product or service names are the property of their respective owners.

Information in this document supersedes and replaces information previously supplied in any prior versions of this document.

© 2015 STMicroelectronics – All rights reserved



## Данный компонент на территории Российской Федерации

### Вы можете приобрести в компании MosChip.

Для оперативного оформления запроса Вам необходимо перейти по данной ссылке:

<http://moschip.ru/get-element>

Вы можете разместить у нас заказ для любого Вашего проекта, будь то серийное производство или разработка единичного прибора.

В нашем ассортименте представлены ведущие мировые производители активных и пассивных электронных компонентов.

Нашей специализацией является поставка электронной компонентной базы двойного назначения, продукции таких производителей как XILINX, Intel (ex.ALTERA), Vicor, Microchip, Texas Instruments, Analog Devices, Mini-Circuits, Amphenol, Glenair.

Сотрудничество с глобальными дистрибьюторами электронных компонентов, предоставляет возможность заказывать и получать с международных складов практически любой перечень компонентов в оптимальные для Вас сроки.

На всех этапах разработки и производства наши партнеры могут получить квалифицированную поддержку опытных инженеров.

Система менеджмента качества компании отвечает требованиям в соответствии с ГОСТ Р ИСО 9001, ГОСТ РВ 0015-002 и ЭС РД 009

### Офис по работе с юридическими лицами:

105318, г.Москва, ул.Щербаковская д.3, офис 1107, 1118, ДЦ «Щербаковский»

Телефон: +7 495 668-12-70 (многоканальный)

Факс: +7 495 668-12-70 (доб.304)

E-mail: [info@moschip.ru](mailto:info@moschip.ru)

Skype отдела продаж:

moschip.ru

moschip.ru\_4

moschip.ru\_6

moschip.ru\_9