



## Main

|                           |   |
|---------------------------|---|
| Range of product          | Harmony XAR   |
| Product or component type | Hand-held remote control  |
| Device short name         | ZART  |
| Control button type       | 6 configurable motion push-button<br>2 configurable auxiliary push-button |

## Complementary

|                            |  |
|----------------------------|--|
| Material                   | Enclosure: PC (polycarbonate)<br>Enclosure: PBT (polybutylene terephthalate)<br>Cover: PP (polypropylene)<br>Protective cover: EPDM rubber |
| Function available         | Vibrator function<br>Accelerometer function  |
| Display type               | LCD display 34 x 42 mm   |
| Operating distance         | 50 m   |
| Mechanical robustness      | 4.5 m free fall resistance conforming to IEC 60068-2-27  |
| Communication network type | Wireless: bluetooth low energy   |
| Transmission frequency     | 2.4 GHz  |
| Maximum sensing distance   | 328.08 ft (100 m) in free field  |
| Response time              | < 300 ms at full duplex  |
| Charging time              | 900 s  |
| Autonomy                   | 30 h   |
| Battery type               | Rechargeable   |
| Mechanical durability      | 5000000 cycles   |
| Service life               | 5 yr   |
| Width                      | 3.94 in (100 mm)   |
| Height                     | 13.39 in (340 mm)  |
| Depth                      | 3.54 in (90 mm)  |
| Product weight             | 1.43 lb(US) (0.65 kg)  |

## Environment

|                                       |  |
|---------------------------------------|--|
| radio agreement                       | ANATEL<br>SRRRC<br>FCC<br>RSS<br>ICASA<br>ARIB       |
| IP degree of protection               | IP65   |
| NEMA degree of protection             | NEMA 4   |
| ambient air temperature for operation | > -4...140 °F (> -20...60 °C)                        |
| ambient air temperature for storage   | > -4...113 °F (> -20...45 °C)                        |
| operating altitude                    | 0...6561.68 ft (0...2000 m)                          |
| storage altitude                      | 0...9842.52 ft (0...3000 m)                          |
| vibration resistance                  | 0.075 mm (f= 10...55 Hz) conforming to IEC 60068-2-6 |
| shock resistance                      | 100 gn conforming to IEC 60068-2-27                  |

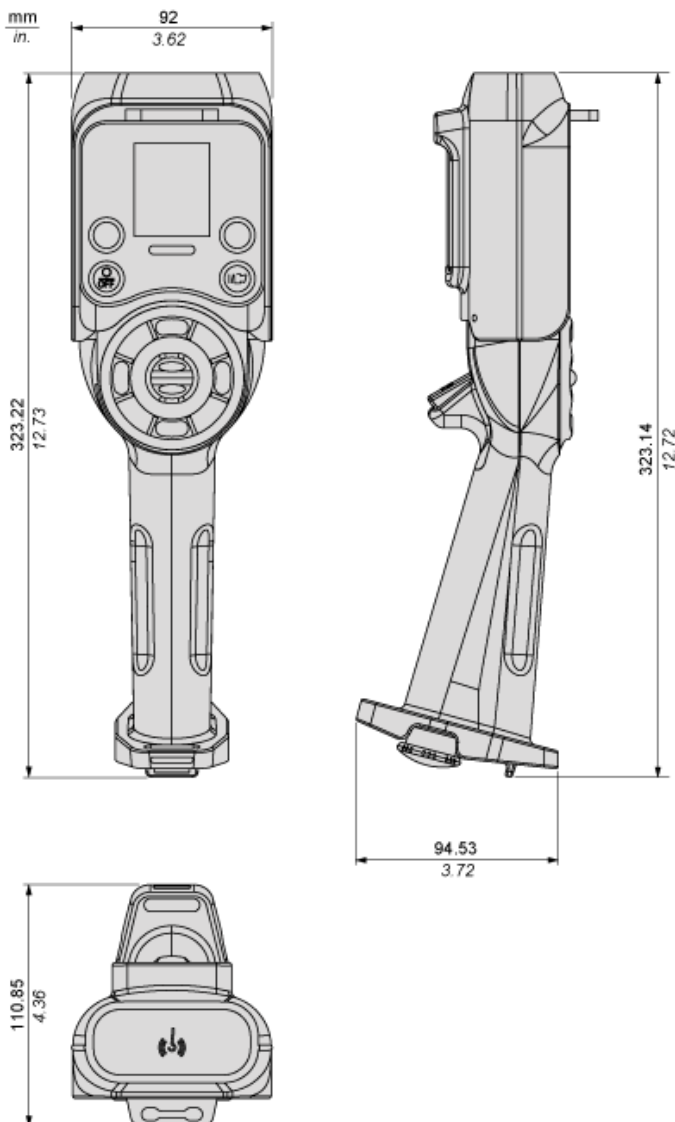
The information provided in this documentation contains general descriptions and/or technical characteristics of the performance of the products contained herein. This documentation is not intended as a substitute for and is not to be used for determining suitability or reliability of these products for specific user applications. It is the duty of any such user or integrator to perform the appropriate and complete risk analysis, evaluation and testing of the products with respect to the relevant specific application or use thereof. Neither Schneider Electric Industries SAS nor any of its affiliates or subsidiaries shall be responsible or liable for misuse of the information contained herein.

|                        |  |
|------------------------|--|
| relative humidity      | 0...95 % (temperature : > -4...140 °F (> -20...60 °C)) (operating) |
| product certifications | CE<br>CSA<br>C-Tick<br>UL<br>EAC<br>JIS<br>KC                      |

## Offer Sustainability

|  |  |
|--|--|
| Green Premium product  | Green Premium product  |
| Compliant - since 1415 - Schneider Electric declaration of conformity  | Compliant - since 1415 - Schneider Electric declaration of conformity  |
| Reference not containing SVHC above the threshold  | Reference not containing SVHC above the threshold  |
| Available  | Available  |
| Available  | Available  |
| WARNING: This product can expose you to chemicals including:   | WARNING: This product can expose you to chemicals including:   |
| Nickel compounds, which is known to the State of California to cause cancer, and   | Nickel compounds, which is known to the State of California to cause cancer, and   |
| Di-isodecyl phthalate (DIDP), which is known to the State of California to cause birth defects or other reproductive harm. | Di-isodecyl phthalate (DIDP), which is known to the State of California to cause birth defects or other reproductive harm. |
| For more information go to <a href="http://www.p65warnings.ca.gov">www.p65warnings.ca.gov</a>                              | For more information go to <a href="http://www.p65warnings.ca.gov">www.p65warnings.ca.gov</a>                              |

## Dimensions



## Данный компонент на территории Российской Федерации

### Вы можете приобрести в компании MosChip.

Для оперативного оформления запроса Вам необходимо перейти по данной ссылке:

<http://moschip.ru/get-element>

Вы можете разместить у нас заказ для любого Вашего проекта, будь то серийное производство или разработка единичного прибора.

В нашем ассортименте представлены ведущие мировые производители активных и пассивных электронных компонентов.

Нашей специализацией является поставка электронной компонентной базы двойного назначения, продукции таких производителей как XILINX, Intel (ex.ALTERA), Vicor, Microchip, Texas Instruments, Analog Devices, Mini-Circuits, Amphenol, Glenair.

Сотрудничество с глобальными дистрибьюторами электронных компонентов, предоставляет возможность заказывать и получать с международных складов практически любой перечень компонентов в оптимальные для Вас сроки.

На всех этапах разработки и производства наши партнеры могут получить квалифицированную поддержку опытных инженеров.

Система менеджмента качества компании отвечает требованиям в соответствии с ГОСТ Р ИСО 9001, ГОСТ РВ 0015-002 и ЭС РД 009

### Офис по работе с юридическими лицами:

105318, г.Москва, ул.Щербаковская д.3, офис 1107, 1118, ДЦ «Щербаковский»

Телефон: +7 495 668-12-70 (многоканальный)

Факс: +7 495 668-12-70 (доб.304)

E-mail: [info@moschip.ru](mailto:info@moschip.ru)

Skype отдела продаж:

moschip.ru

moschip.ru\_4

moschip.ru\_6

moschip.ru\_9