

PLEASE CHECK WWW.MOLEX.COM FOR LATEST PART INFORMATION

Part Number: [0834219014](#)
Status: **Active**
Overview: commercial_microd
Description: 1.27mm (.050") Pitch Commerical Micro D, Cable Receptacle Kit, 9 Circuits

Documents:

[3D Model](#) [Product Specification PS-83421-001 \(PDF\)](#)
[Drawing \(PDF\)](#) [RoHS Certificate of Compliance \(PDF\)](#)

General

Product Family	I/O Connectors
Series	83421
Application	Wire-to-Board
Component Type	Receptacle
Overview	<u>commercial_microd</u>
Product Literature Order No	USA-063
Product Name	Commercial Micro-D
Type	N/A

Physical

Boot Color	BLACK
Circuits (Loaded)	9
Circuits (maximum)	9
Durability (mating cycles max)	500
Gender	Receptacle
Lock to Mating Part	Yes
Material - Plating Mating	Gold
Number of Rows	2
Orientation	N/A
PCB Locator	No
PCB Retention	N/A
Packaging Type	Bag
Panel Mount	No
Pitch - Mating Interface (in)	0.025 In
Pitch - Mating Interface (mm)	0.64 mm
Plating min: Mating (µin)	30
Plating min: Mating (µm)	0.76
Polarized to Mating Part	Yes
Polarized to PCB	N/A
Ports	1
Surface Mount Compatible (SMC)	No
Temperature Range - Operating	-40°C to +125°C
Termination Interface: Style	N/A
Waterproof / Dustproof	No
Wire Size AWG	26, 28

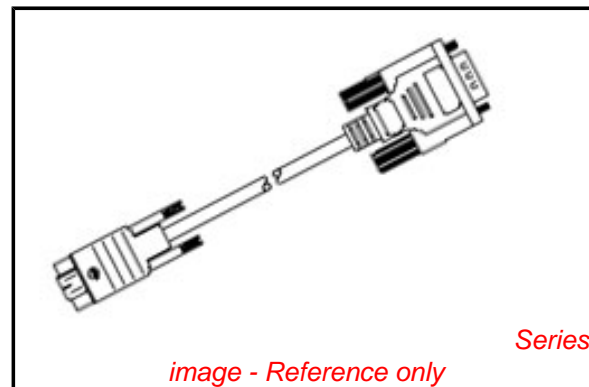
Electrical

Current - Maximum per Contact	1A
Shield Type	Full Shield
Shielded	Yes
Voltage - Maximum	350V AC

Material Info

Reference - Drawing Numbers

Product Specification	PS-83421-001
Sales Drawing	SD-83421-002



EU RoHS

**ELV and RoHS
Compliant**
REACH SVHC
 Not Reviewed
**Halogen-Free
Status**
 Not Reviewed

China RoHS



**Need more information on product
environmental compliance?**

Email productcompliance@molex.com
 For a multiple part number RoHS Certificate of
 Compliance, [click here](#)

Please visit the [Contact Us](#) section for any
 non-product compliance questions.

Search Parts in this Series

[83421Series](#)

Mates With

[83611](#) , [83619](#) , [83612](#) , [83614](#)

Application Tooling | FAQ

*Tooling specifications and manuals are
found by selecting the products below.
Crimp Height Specifications are then
contained in the Application Tooling
Specification document.*

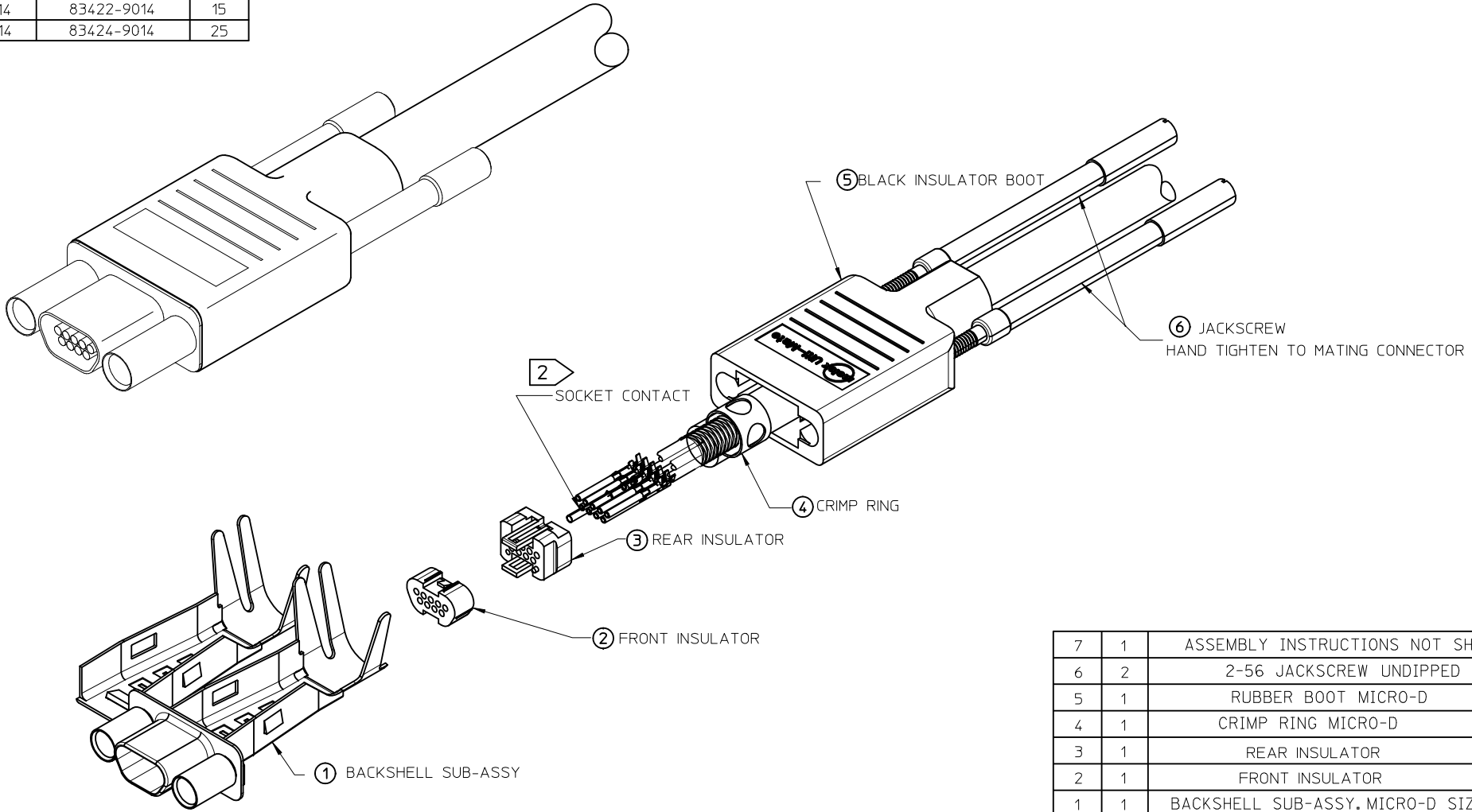
Global

Description	Product #
Manual Press for Micro-D Backshell Crimp Tool Kit, 9 Circuits	0622008900
Micro-D Backshell Crimp Tool Kit, 9 Circuits	0622009000
Hand Crimp Tool	0621000900

This document was generated on 05/20/2010

PLEASE CHECK WWW.MOLEX.COM FOR LATEST PART INFORMATION

10	9	8	7	6	5	4	3	2	1
MATERIAL NO.	ENGINEERING NO.	SIZE							
834219014	83421-9014	9							
834229014	83422-9014	15							
834249014	83424-9014	25							



7	1	ASSEMBLY INSTRUCTIONS NOT SHOWN
6	2	2-56 JACKSCREW UNDIPPED
5	1	RUBBER BOOT MICRO-D
4	1	CRIMP RING MICRO-D
3	1	REAR INSULATOR
2	1	FRONT INSULATOR
1	1	BACKSHELL SUB-ASSY. MICRO-D SIZE I5
ITEM	ITEM	DESCRIPTION

3. ROHS COMPLIANT

2 CONTACTS SOLD SEPARATELY. ORDER BY:
 P/N 830009502 (2500 CONTACT REEL)
 P/N 830009503 (50000 CONTACT REEL)
 P/N 830000083 (LOOSE CONTACTS)

1. REFER TO PS-83421-9000 FOR PRODUCT SPECIFICATION.

NOTES: UNLESS OTHERWISE SPECIFIED

REDRAWN EC NO: WNA2010-0482 DRW:BRUPERT 2010/02/09 CHKD:BRUPERT 2010/04/21 APPR: JFMURPHY 2010/04/21	QUALITY SYMBOLS	GENERAL TOLERANCES (UNLESS SPECIFIED)	DIMENSION STYLE	SCALE	DESIGN UNITS	THIRD ANGLE PROJECTION																																				
	$\nabla=0$ $\nabla C=0$	<table border="1"> <tr> <td></td> <td>mm</td> <td>INCH</td> </tr> <tr> <td>4 PLACES</td> <td>± ---</td> <td>± ---</td> </tr> <tr> <td>3 PLACES</td> <td>± ---</td> <td>± .005</td> </tr> <tr> <td>2 PLACES</td> <td>± 0.13</td> <td>± .010</td> </tr> <tr> <td>1 PLACE</td> <td>± 0.3</td> <td>± ---</td> </tr> <tr> <td colspan="3">ANGULAR ± 1/2°</td> </tr> </table>		mm	INCH	4 PLACES	± ---	± ---	3 PLACES	± ---	± .005	2 PLACES	± 0.13	± .010	1 PLACE	± 0.3	± ---	ANGULAR ± 1/2°			<table border="1"> <tr> <td>IN/MM</td> <td>DRAWN BY</td> <td>DATE</td> </tr> <tr> <td></td> <td>URBACH</td> <td>99/09/03</td> </tr> <tr> <td></td> <td>CHECKED BY</td> <td>DATE</td> </tr> <tr> <td></td> <td>HEB</td> <td>02/01/31</td> </tr> <tr> <td></td> <td>APPROVED BY</td> <td>DATE</td> </tr> <tr> <td></td> <td>RWD</td> <td>02/01/31</td> </tr> </table>	IN/MM	DRAWN BY	DATE		URBACH	99/09/03		CHECKED BY	DATE		HEB	02/01/31		APPROVED BY	DATE		RWD	02/01/31	2:1	INCH	
		mm	INCH																																							
	4 PLACES	± ---	± ---																																							
3 PLACES	± ---	± .005																																								
2 PLACES	± 0.13	± .010																																								
1 PLACE	± 0.3	± ---																																								
ANGULAR ± 1/2°																																										
IN/MM	DRAWN BY	DATE																																								
	URBACH	99/09/03																																								
	CHECKED BY	DATE																																								
	HEB	02/01/31																																								
	APPROVED BY	DATE																																								
	RWD	02/01/31																																								
	DRAFT WHERE APPLICABLE MUST REMAIN WITHIN DIMENSIONS	SEE CHART	CONNECTOR KIT, RECEPTACLE, W/2-56 JACKSCREWS MOLEX INCORPORATED																																							
			MATERIAL NO.	DOCUMENT NO.	SHEET NO.																																					
			A3	SD-83421-002	1 OF 1																																					
			THIS DRAWING CONTAINS INFORMATION THAT IS PROPRIETARY TO MOLEX INCORPORATED AND SHOULD NOT BE USED WITHOUT WRITTEN PERMISSION																																							

Данный компонент на территории Российской Федерации

Вы можете приобрести в компании MosChip.

Для оперативного оформления запроса Вам необходимо перейти по данной ссылке:

<http://moschip.ru/get-element>

Вы можете разместить у нас заказ для любого Вашего проекта, будь то серийное производство или разработка единичного прибора.

В нашем ассортименте представлены ведущие мировые производители активных и пассивных электронных компонентов.

Нашей специализацией является поставка электронной компонентной базы двойного назначения, продукции таких производителей как XILINX, Intel (ex.ALTERA), Vicor, Microchip, Texas Instruments, Analog Devices, Mini-Circuits, Amphenol, Glenair.

Сотрудничество с глобальными дистрибьюторами электронных компонентов, предоставляет возможность заказывать и получать с международных складов практически любой перечень компонентов в оптимальные для Вас сроки.

На всех этапах разработки и производства наши партнеры могут получить квалифицированную поддержку опытных инженеров.

Система менеджмента качества компании отвечает требованиям в соответствии с ГОСТ Р ИСО 9001, ГОСТ РВ 0015-002 и ЭС РД 009

Офис по работе с юридическими лицами:

105318, г.Москва, ул.Щербаковская д.3, офис 1107, 1118, ДЦ «Щербаковский»

Телефон: +7 495 668-12-70 (многоканальный)

Факс: +7 495 668-12-70 (доб.304)

E-mail: info@moschip.ru

Skype отдела продаж:

moschip.ru

moschip.ru_4

moschip.ru_6

moschip.ru_9