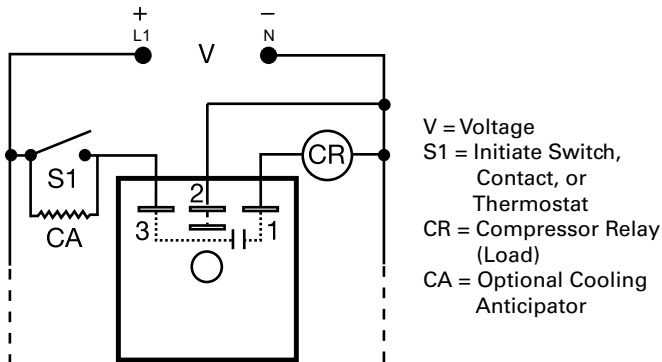


TA SERIES

Lockout



Wiring Diagram



Description

The TA Series prevents rapid recycling of a compressor. A lockout delay is started when the thermostat opens, or input voltage is lost. Eliminates tripped circuit breakers or blown fuses caused by a locked rotor during short cycling. The TA will not allow the compressor to start when the line voltage is low. Chatter of the compressor relay is eliminated. Because of the fast initiate time, bounce of the thermostat will not be transmitted to the compressor relay coil. A 30 second delay provides anti-reversing protection for scroll compressors.

Operation (Lockout)

On initial closure of the S1, the compressor relay energizes immediately. When S1 opens or input voltage is interrupted, a lockout time delay is initiated. During this lockout time delay, the compressor relay cannot be energized. The low voltage (brownout) protection prevents energization of the compressor when the line voltage is low.

Reset: The lockout time delay cannot be reset. After the time delay is completed, the unit automatically resets.

Features & Benefits

FEATURES	BENEFITS
Lockout delay	Prevents rapid cycling of compressor and eliminates nuisance service calls due to blown fuse or tripped breaker by locked rotor during short cycling
Anti-reversing protection for scroll compressors	Extends life of equipment
Brownout protection	Timer will not allow the compressor to start during low line voltage conditions
Encapsulated	Protects against shock, vibration, and humidity
1A solid state output	No moving parts to arc and wear out. Provides up to 100 million operations under typical conditions

Accessories



P1023-6 Mounting bracket

The 90° orientation of mounting slots makes installation/removal of modules quick and easy.



P1015-64 (AWG 14/16) Female Quick Connect

These 0.25 in. (6.35 mm) female terminals are constructed with an insulator barrel to provide strain relief.



P1015-18 Quick Connect to Screw Adapter

Screw adapter terminal designed for use with all modules with 0.25 in. (6.35 mm) male quick connect terminals.



C103PM (AL) DIN Rail

35 mm aluminum DIN rail available in a 36 in. (91.4 cm) length.



P1023-20 DIN Rail Adapter

Allows module to be mounted on a 35 mm DIN type rail with two #10 screws.

Ordering Information

MODEL	INPUT VOLTAGE	TIME DELAY
TA12D1	12VDC	1m
TA12D2	12VDC	2m
TA24A0.5	24VAC	30s
TA24A3	24VAC	3m
TA24A5	24VAC	5m

If you don't find the part you need, call us for a custom product 800-843-8848

TA SERIES

Specifications

Input	
Voltage	12 or 24VDC; 24VAC
AC Line Frequency	50/60 Hz
Impedance	450 Ω (anticipator by-pass)
Output	
Minimum Load Current	75mA
Maximum Load Current	1A at 60°C
Voltage Drop	≤ 1.25V
Time Delay	
Initiate Time	≈ 16ms
Lockout Time	Fixed 0.5, 1, 2, 3, or 5m
Tolerance	-15% - 35%
Protection	
Circuitry	Encapsulated
Low Voltage Protection	≈ 20V: 24VAC/DC; ≈ 9V: 12VDC
Dielectric Breakdown	≥ 2000V RMS terminals to mounting surface
Insulation Resistance	≥ 100 MΩ

Mechanical

Mounting Dimensions

Surface mount with one #10 (M5 x 0.8) screw
H 50.8 mm (2"); **W** 50.8 mm (2");
D 30.7 mm (1.21")

Termination

0.25 in. (6.35 mm) male quick connect terminals

Environmental

Operating/Storage

-40° to 70°C / -40° to 85°C

Humidity

95% relative, non-condensing

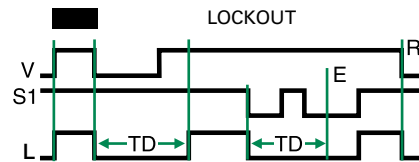
Weight

≈ 2.4 oz (68 g)

Thermostat

Cooling Anticipator Resistor ≥ 1800 Ω

Function Diagram



V = Voltage
 S1 = Initiate Switch
 L = Load (CR)
 E = Ready
 TD = Time Delay
 R = Reset

Данный компонент на территории Российской Федерации

Вы можете приобрести в компании MosChip.

Для оперативного оформления запроса Вам необходимо перейти по данной ссылке:

<http://moschip.ru/get-element>

Вы можете разместить у нас заказ для любого Вашего проекта, будь то серийное производство или разработка единичного прибора.

В нашем ассортименте представлены ведущие мировые производители активных и пассивных электронных компонентов.

Нашей специализацией является поставка электронной компонентной базы двойного назначения, продукции таких производителей как XILINX, Intel (ex.ALTERA), Vicor, Microchip, Texas Instruments, Analog Devices, Mini-Circuits, Amphenol, Glenair.

Сотрудничество с глобальными дистрибьюторами электронных компонентов, предоставляет возможность заказывать и получать с международных складов практически любой перечень компонентов в оптимальные для Вас сроки.

На всех этапах разработки и производства наши партнеры могут получить квалифицированную поддержку опытных инженеров.

Система менеджмента качества компании отвечает требованиям в соответствии с ГОСТ Р ИСО 9001, ГОСТ РВ 0015-002 и ЭС РД 009

Офис по работе с юридическими лицами:

105318, г.Москва, ул.Щербаковская д.3, офис 1107, 1118, ДЦ «Щербаковский»

Телефон: +7 495 668-12-70 (многоканальный)

Факс: +7 495 668-12-70 (доб.304)

E-mail: info@moschip.ru

Skype отдела продаж:

moschip.ru

moschip.ru_4

moschip.ru_6

moschip.ru_9