

SSL - Discrete Wire IDC



Series 9176



The 917X series of surface mount Insulation Displacement Connectors (IDC) were developed to meet the harsh automotive and industrial market applications for connecting individual wires directly to a PCB ranging from 14 AWG to 28 AWG. This industry proven contact system has been tested to automotive levels of shock, vibration, and temperature cycling to prove their reliability and robustness. The simplicity of inserting a wire into the connector with a small tool allows a wide range of devices to be connected to the PCB without soldering. In SSL applications specifically, these connectors are used to bring power and signal onto the PCB or are used to daisy chain multiple boards together in a long string. While the IDC contact provides a gas-tight connection to conductor of the wire, the housing has been designed to grab the insulation of the wire to provide a positive strain relief even in the harshest conditions. In case of repair, the wires can be removed and replace up to three times.

The 9176 series accepts 18 AWG to 24 AWG wires with an insulation diameter ranging from 1.1mm to 2.1mm. These dual contact connectors support a 10 amp current rating with two large SMT solder tails per wire to provide maximum stability on the PCB. Available in 1p-3p configuration, these connectors can be end stackable for higher pin counts. The 9176 series also comes with optional locking strain relief caps that act as the termination tool for severe vibration applications.

APPLICATIONS

- Connecting discrete wire components directly to the PCB
- Bringing power and signals onto a PCB
- Daisy chaining PCB's together to create a continuous string of boards
- Application Notes: refer to 201-01-124

FEATURES AND BENEFITS

- IDC contact provides a gas-tight connection to the PCB for long term reliability
- Connector housing captures the wire insulation for positive strain relief
- Tested to automotive levels on shock, vibration and temperature cycling for reliability
- Low and high volume assembly tools to match production volumes
- Reduced total applied cost versus solder or crimp processes
- Optional thru and end caps lock in place to provide maximum strain relief
- High temperature insulator capable to 260°C reflow soldering processes

ELECTRICAL

- Current Rating: 10 Amp / Contact
- Voltage Rating: 250 VAC

ENVIRONMENTAL

- Operating Temperature: -40°C to +125°C

MECHANICAL

- Insulator Material: Nylon 46: UL94V0
- Contact Material: Phosphor Bronze
- Plating: Tin over Nickel
- Durability: 3 Cycles

HOW TO ORDER

00
Prefix

9176
Series

00X
Number of Ways

Code	No of Ways	Details
001	1	Page 44
002	2	Page 45
003	3	Page 46

00X
Wire Gauge Size

Code	Accepted Wire Gauge	Wire Insulation	Cap Code Pages 47-48
001	18 Gauge Stranded	Ø 1.6-2.1	021
011	20 Gauge Stranded	Ø 1.6-2.1	021
022	22 Gauge Stranded	Ø 1.1-1.6	016
032	24 Gauge Stranded	Ø 1.1-1.6	016

X
Insulator Color

Code	Color	Application
0	Black	Industrial
1	White	Lighting

06
Plating Option
06 = Pure Tin all over

Certification: UL File #E320991

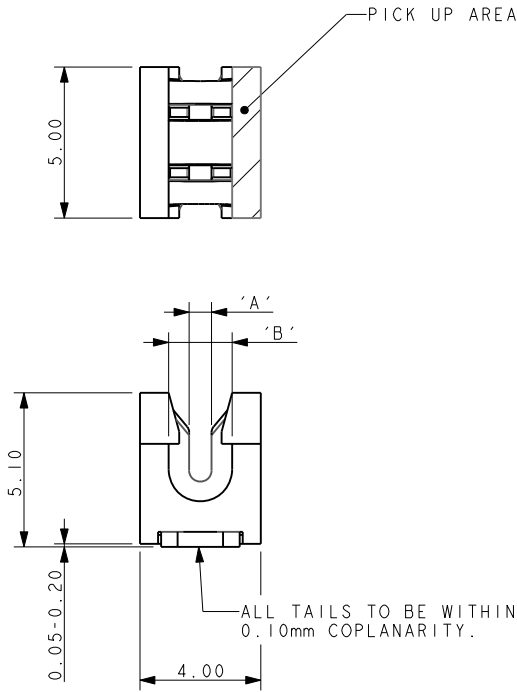


SSL - Discrete Wire IDC



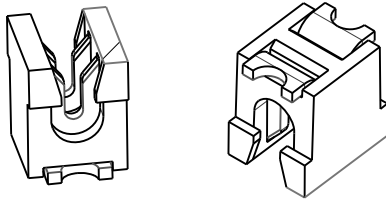
Series 9176

18-24 AWG 1 WAY IDC CONNECTOR



NOTES:

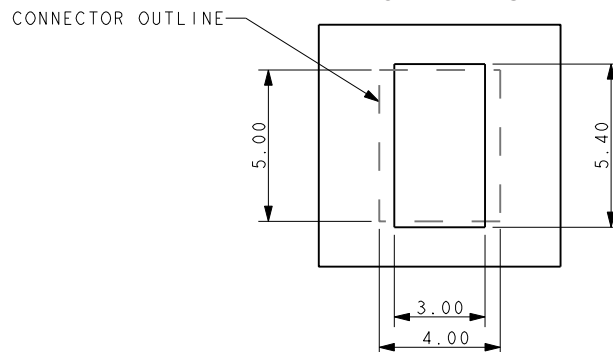
1. CONNECTOR FOR IDC WIRE TO BOARD CONNECTION.
2. CONTACT MATERIAL: PHOSPHORE BRONZE.
INSULATION MATERIAL: HIGH TEMPERATURE NYLON 46.
COLOR REFER TO PAGE 43.
3. CONNECTOR DESIGNED TO ACCEPT BETWEEN 24 AND 18 GAUGE STRANDED WIRE.
4. ALL DIMENSIONS FOR REFERENCE UNLESS OTHERWISE STATED.
5. FOR FULL PRODUCT SPECIFICATION REFER TO ELCO SPEC 201-01-106 AND APPLICATION NOTES 201-01-124.
6. FOR PCB SPACE RESTRICTED BY WIRE ASSEMBLY TOOLING REFER TO PAGE 47.
7. FOR HAND WIRE ASSEMBLY TOOLING REFER TO PAGE 49.



Code	Accepted Wire Gauge	A	Wire Insulation	B
001	18 Gauge Stranded	0.72	Ø 1.6-2.1	2.1
011	20 Gauge Stranded	0.60	Ø 1.6-2.1	2.1
022	22 Gauge Stranded	0.47	Ø 1.1-1.6	1.6
032	24 Gauge Stranded	0.37	Ø 1.1-1.6	1.6

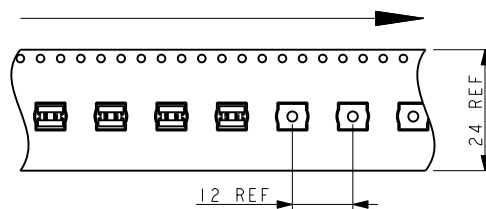
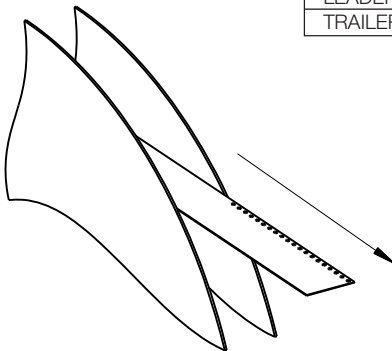
SMT PCB LAYOUT

PURE TIN PADS



PACKING DETAILS

REEL QTY	1000
LEADER	480MM
TRAILER	120MM

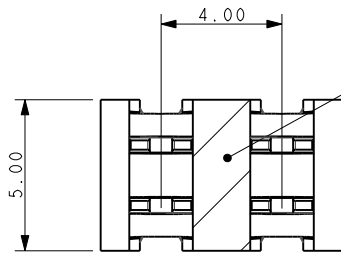


SSL - Discrete Wire IDC



Series 9176

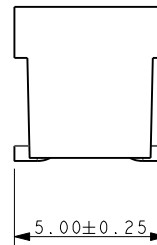
18-24 AWG 2 WAY IDC CONNECTOR



PICK UP AREA 1.9 x 5.00mm MIN

NOTES:

1. CONNECTOR FOR IDC WIRE TO BOARD CONNECTION.
2. CONTACT MATERIAL: PHOSPHORE BRONZE.
INSULATION MATERIAL: HIGH TEMPERATURE NYLON 46.
COLOR REFER TO PAGE 43.
3. CONNECTOR DESIGNED TO ACCEPT BETWEEN 24 AND 18 GAUGE STRANDED WIRE.
4. ALL DIMENSIONS FOR REFERENCE UNLESS OTHERWISE STATED.
5. FOR FULL PRODUCT SPECIFICATION REFER TO ELCO SPEC 201-01-106 AND APPLICATION NOTES 201-01-124.
6. FOR PCB SPACE RESTRICTED BY WIRE ASSEMBLY TOOLING REFER TO PAGE 47.
7. FOR HAND WIRE ASSEMBLY TOOLING REFER TO PAGE 49
8. FOR PRESS WIRE ASSEMBLY TOOLING REFER TO PAGE 50.
9. FOR ACCESSORY CAPS REFER TO PAGES 47 AND 48.



Code	Accepted Wire Gauge	A	Wire Insulation	B
001	18 Gauge Stranded	0.72	Ø 1.6-2.1	2.1
011	20 Gauge Stranded	0.60	Ø 1.6-2.1	2.1
022	22 Gauge Stranded	0.47	Ø 1.1-1.6	1.6
032	24 Gauge Stranded	0.37	Ø 1.1-1.6	1.6



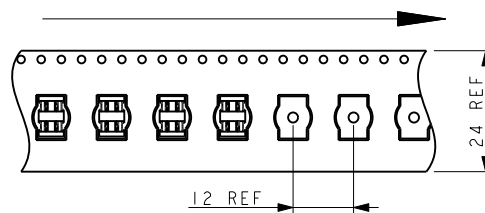
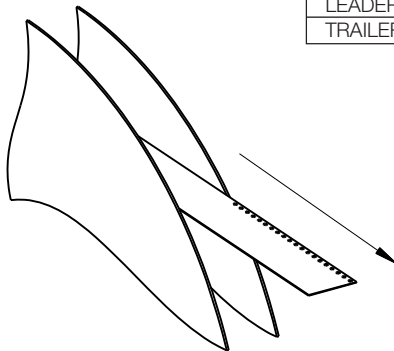
SMT PCB LAYOUT

PURE TIN PADS



PACKING DETAILS

REEL QTY	1000
LEADER	480MM
TRAILER	120MM

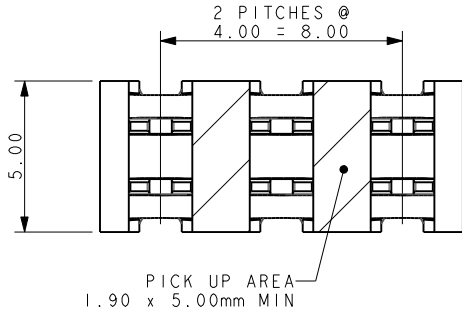


SSL - Discrete Wire IDC



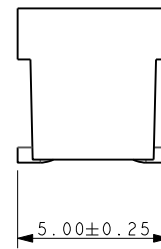
Series 9176

18-24 AWG 3 WAY IDC CONNECTOR



NOTES:

1. CONNECTOR FOR IDC WIRE TO BOARD CONNECTION.
2. CONTACT MATERIAL: PHOSPHORE BRONZE.
INSULATION MATERIAL: HIGH TEMPERATURE NYLON 46.
COLOR REFER TO PAGE 43.
3. CONNECTOR DESIGNED TO ACCEPT BETWEEN 24 AND 18 GAUGE STRANDED WIRE.
4. ALL DIMENSIONS FOR REFERENCE UNLESS OTHERWISE STATED.
5. FOR FULL PRODUCT SPECIFICATION REFER TO ELCO SPEC 201-01-106 AND APPLICATION NOTES 201-01-124.
6. FOR PCB SPACE RESTRICTED BY WIRE ASSEMBLY TOOLING REFER TO PAGE 47.
7. FOR HAND WIRE ASSEMBLY TOOLING REFER TO PAGE 49
8. FOR PRESS WIRE ASSEMBLY TOOLING REFER TO PAGE 50.
9. FOR ACCESSORY CAPS REFER TO PAGES 47 AND 48.



Code	Accepted Wire Gauge	A	Wire Insulation	B
001	18 Gauge Stranded	0.72	Ø 1.6-2.1	2.1
011	20 Gauge Stranded	0.60	Ø 1.6-2.1	2.1
022	22 Gauge Stranded	0.47	Ø 1.1-1.6	1.6
032	24 Gauge Stranded	0.37	Ø 1.1-1.6	1.6



SMT PCB LAYOUT

PURE TIN PADS



PACKING DETAILS

REEL QTY	1000
LEADER	480MM
TRAILER	120MM



SSL - Discrete Wire IDC



Series 9176

60-9176-00X-0XX-X00

ACCESSORY CAP – THROUGH WIRE



60-9176-002-016-X00



60-9176-003-016-X00



60-9176-002-021-X00



60-9176-003-021-X00

NOTES:

1. CAP FOR IDC WIRE TO BOARD CONNECTION, 2 AND 3 WAY, THROUGH WIRE.
2. FOR USE WITH STANDARD 9176 IDC CONNECTORS, SEE PAGE 43 FOR THE CORRECT PART CODE TO MATCH WIRE.
3. CAP MATERIAL: GLASS FILLED NYLON 46, FOR COLORS SEE TABLE BELOW.
4. DIMENSIONS A, B AND TEXT, SEE TABLE BELOW.
5. CAPS DESIGNED TO ACCOMMODATE WIRE INSULATION DIAMETERS 1.1MM TO 1.6MM AND 1.6MM TO 2.1MM.
6. ALL DIMENSIONS SHOWN ARE REFERENCE DIMENSIONS.
7. PACKED IN BAGS, 1000 PIECES PER BAG.

Code	Slot A (AWG)	Diameter B	Text
016	1.60 (22-24)	1.00	9176 $\varnothing 1.6$
021	2.10 (18-20)	1.50	9176 $\varnothing 2.1$

Color	X00
Black	000
White	100

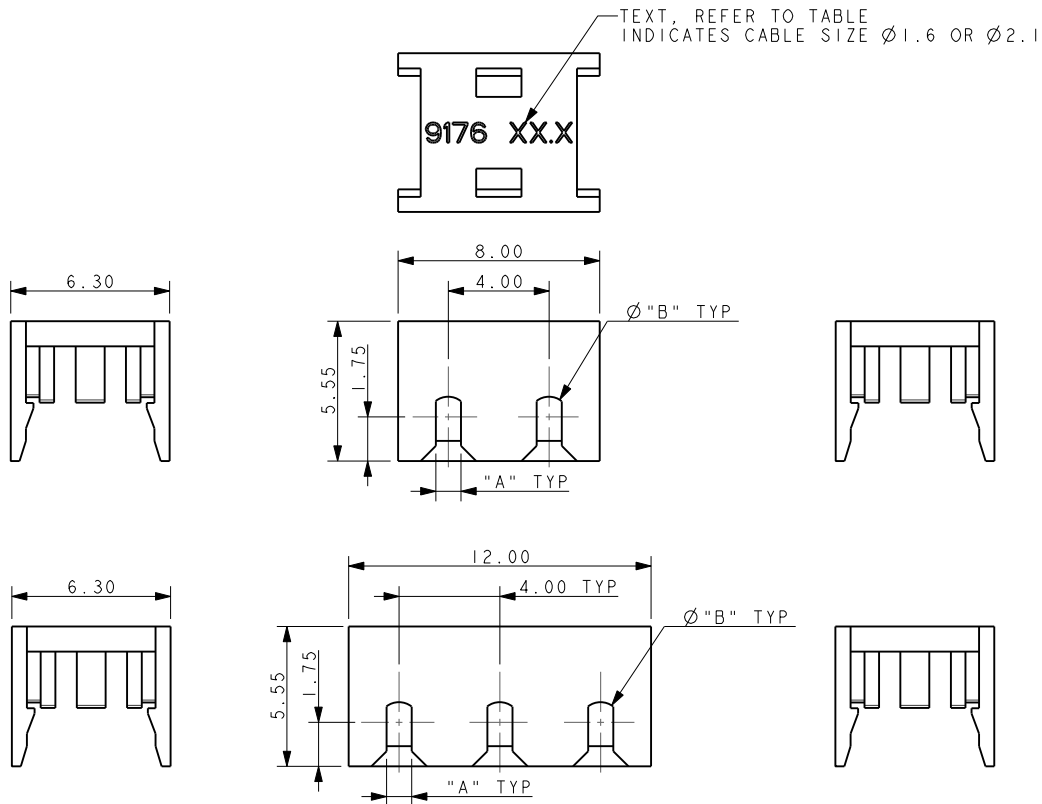


SSL - Discrete Wire IDC



Series 9176

60-9176-00X-0XX-X99 ACCESSORY CAP - WIRE STOP



60-9176-002-016-X99



60-9176-003-016-X99



60-9176-002-021-X99



60-9176-003-021-X99

NOTES:

- CAP FOR IDC WIRE TO BOARD CONNECTION, 2 AND 3 WAY, WITH WIRE STOP.
- FOR USE WITH STANDARD 9176 IDC CONNECTORS, SEE PAGE 43 FOR THE CORRECT PART CODE TO MATCH WIRE.
- CAP MATERIAL: GLASS FILLED NYLON 46, FOR COLORS SEE TABLE BELOW.
- DIMENSIONS A, B AND TEXT, SEE TABLE BELOW.
- CAPS DESIGNED TO ACCOMMODATE WIRE INSULATION DIAMETERS 1.1MM TO 1.6MM AND 1.6MM TO 2.1MM.
- ALL DIMENSIONS SHOWN ARE REFERENCE DIMENSIONS.
- PACKED IN BAGS, 1000 PIECES PER BAG.

Code	Slot A (AWG)	Diameter B	Text
016	1.60 (22-24)	1.00	9176 Ø1.6
021	2.10 (18-20)	1.50	9176 Ø2.1

Color	X99
Black	099
White	199

SSL - Discrete Wire IDC



Series 9176

HAND INSERTION TOOLING FOR SINGLE 18/24 GAUGE WIRE



UNIVERSAL HANDLE

Details	Tool Part Number
6.35 A/F HEX BIT HOLDER	06 7000 7730 01 000



HIGH PRODUCTION Metal

Max Insulation Dia (AWG)	Tool Part Number
2.10 (18-20)	06 9176 7017 01 000
1.60 (22-24)	06 9176 7017 02 000



MED PRODUCTION Metal/Plastic

Max Insulation Dia (AWG)	Tool Part Number
2.10 (18-20)	06 9176 7016 01 000
1.60 (22-24)	06 9176 7016 02 000

CLEARANCE AREA ON PCB FOR HAND TOOLING

1 WAY



AREA TO BE KEPT CLEAR FOR TOOLING

2 WAY



AREA TO BE KEPT CLEAR FOR TOOLING

3 WAY



AREA TO BE KEPT CLEAR FOR TOOLING

SSL - Discrete Wire IDC



Series 9176

INSERTION TOOLING REQUIRES HAND PRESS WITH FLAT ROCK PLATES

2 WAY



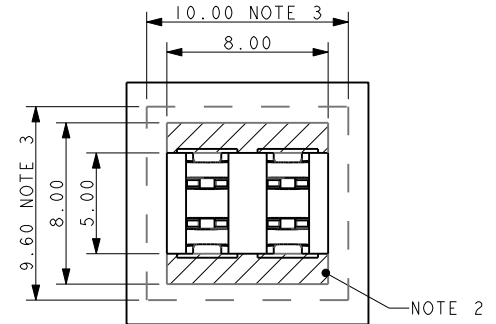
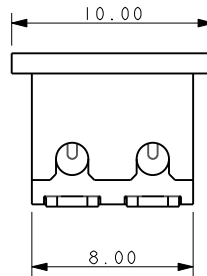
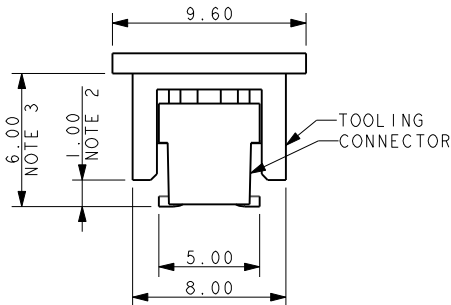
3 WAY



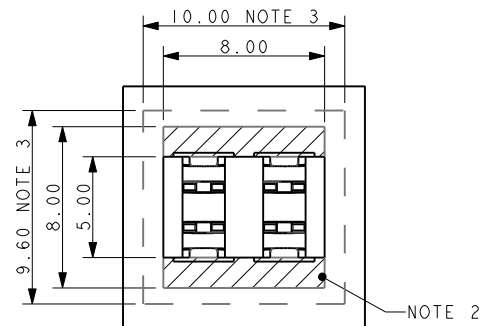
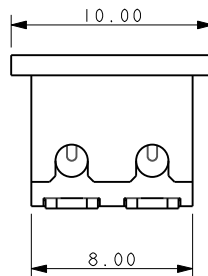
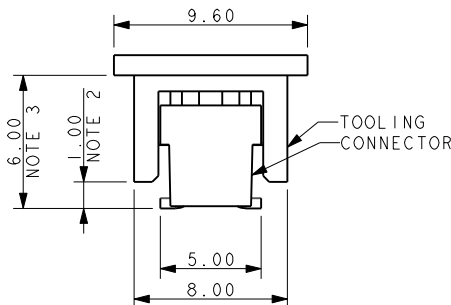
HIGH PRODUCTION Metal

No. of Ways	Max Insulation Dia (AWG)	Tool Part Number
2	2.10 (18-20)	06 9176 7017 01 002
	1.60 (22-24)	06 9176 7017 02 002
3	2.10 (18-20)	06 9176 7017 01 003
	1.60 (22-24)	06 9176 7017 02 003

2 WAY



3 WAY



NOTES:

1. DIMENSIONS SHOWN ARE REFERENCE DIMENSIONS.
2. MAXIMUM COMPONENT HEIGHT 1.00MM IN THIS AREA.
3. MAXIMUM COMPONENT HEIGHT 6.00MM IN THIS AREA.
4. THE SAME RESTRICTIONS APPLY TO ALL WIRE INSULATION DIAMETERS
5. 2 AND 3 WAY TOOLS ONLY, FOR USE UNDER HAND PRESS WITH FLAT PLATES.
6. FOR HAND TOOLING REFER TO PAGE 47.



Данный компонент на территории Российской Федерации

Вы можете приобрести в компании MosChip.

Для оперативного оформления запроса Вам необходимо перейти по данной ссылке:

<http://moschip.ru/get-element>

Вы можете разместить у нас заказ для любого Вашего проекта, будь то серийное производство или разработка единичного прибора.

В нашем ассортименте представлены ведущие мировые производители активных и пассивных электронных компонентов.

Нашей специализацией является поставка электронной компонентной базы двойного назначения, продукции таких производителей как XILINX, Intel (ex.ALTERA), Vicor, Microchip, Texas Instruments, Analog Devices, Mini-Circuits, Amphenol, Glenair.

Сотрудничество с глобальными дистрибьюторами электронных компонентов, предоставляет возможность заказывать и получать с международных складов практически любой перечень компонентов в оптимальные для Вас сроки.

На всех этапах разработки и производства наши партнеры могут получить квалифицированную поддержку опытных инженеров.

Система менеджмента качества компании отвечает требованиям в соответствии с ГОСТ Р ИСО 9001, ГОСТ РВ 0015-002 и ЭС РД 009

Офис по работе с юридическими лицами:

105318, г.Москва, ул.Щербаковская д.3, офис 1107, 1118, ДЦ «Щербаковский»

Телефон: +7 495 668-12-70 (многоканальный)

Факс: +7 495 668-12-70 (доб.304)

E-mail: info@moschip.ru

Skype отдела продаж:

moschip.ru

moschip.ru_4

moschip.ru_6

moschip.ru_9