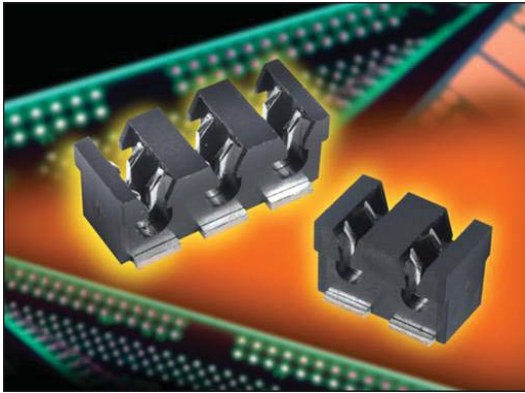


# SSL - Discrete Wire IDC



## Series 9176



The 917X series of surface mount Insulation Displacement Connectors (IDC) were developed to meet the harsh automotive and industrial market applications for connecting individual wires directly to a PCB ranging from 14 AWG to 28 AWG. This industry proven contact system has been tested to automotive levels of shock, vibration, and temperature cycling to prove their reliability and robustness. The simplicity of inserting a wire into the connector with a small tool allows a wide range of devices to be connected to the PCB without soldering. In SSL applications specifically, these connectors are used to bring power and signal onto the PCB or are used to daisy chain multiple boards together in a long string. While the IDC contact provides a gas-tight connection to conductor of the wire, the housing has been designed to grab the insulation of the wire to provide a positive strain relief even in the harshest conditions. In case of repair, the wires can be removed and replace up to three times.

The 9176 series accepts 18 AWG to 24 AWG wires with an insulation diameter ranging from 1.1mm to 2.1mm. These dual contact connectors support a 10 amp current rating with two large SMT solder tails per wire to provide maximum stability on the PCB. Available in 1p-3p configuration, these connectors can be end stackable for higher pin counts. The 9176 series also comes with optional locking strain relief caps that act as the termination tool for severe vibration applications.

### APPLICATIONS

- Connecting discrete wire components directly to the PCB
- Bringing power and signals onto a PCB
- Daisy chaining PCB's together to create a continuous string of boards
- Application Notes: refer to 201-01-124

### FEATURES AND BENEFITS

- IDC contact provides a gas-tight connection to the PCB for long term reliability
- Connector housing captures the wire insulation for positive strain relief
- Tested to automotive levels on shock, vibration and temperature cycling for reliability
- Low and high volume assembly tools to match production volumes
- Reduced total applied cost versus solder or crimp processes
- Optional thru and end caps lock in place to provide maximum strain relief
- High temperature insulator capable to 260°C reflow soldering processes

### ELECTRICAL

- Current Rating: 10 Amp / Contact
- Voltage Rating: 250 VAC

### ENVIRONMENTAL

- Operating Temperature: -40°C to +125°C

### MECHANICAL

- Insulator Material: Nylon 46: UL94V0
- Contact Material: Phosphor Bronze
- Plating: Tin over Nickel
- Durability: 3 Cycles

### HOW TO ORDER

**00**  
Prefix

**9176**  
Series

**00X**  
Number of Ways

| Code | No of Ways | Details |
|------|------------|---------|
| 001  | 1          | Page 44 |
| 002  | 2          | Page 45 |
| 003  | 3          | Page 46 |

**00X**  
Wire Gauge Size

| Code | Accepted Wire Gauge | Wire Insulation | Cap Code Pages 47-48 |
|------|---------------------|-----------------|----------------------|
| 001  | 18 Gauge Stranded   | Ø 1.6-2.1       | 021                  |
| 011  | 20 Gauge Stranded   | Ø 1.6-2.1       | 021                  |
| 022  | 22 Gauge Stranded   | Ø 1.1-1.6       | 016                  |
| 032  | 24 Gauge Stranded   | Ø 1.1-1.6       | 016                  |

**X**  
Insulator Color

| Code | Color | Application |
|------|-------|-------------|
| 0    | Black | Industrial  |
| 1    | White | Lighting    |

**06**  
Plating Option  
06 = Pure Tin all over

Certification: UL File #E320991

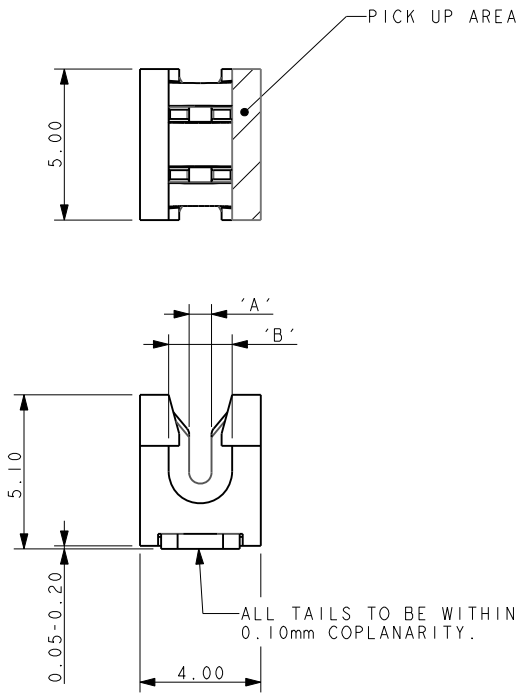


# SSL - Discrete Wire IDC



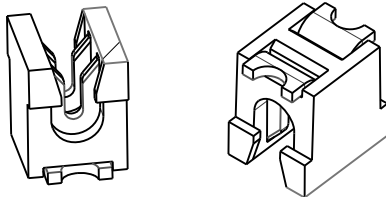
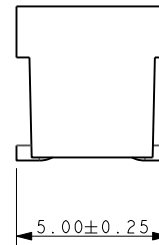
## Series 9176

### 18-24 AWG 1 WAY IDC CONNECTOR



**NOTES:**

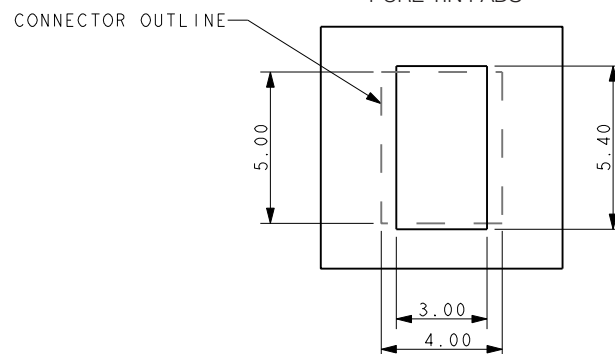
1. CONNECTOR FOR IDC WIRE TO BOARD CONNECTION.
2. CONTACT MATERIAL: PHOSPHORE BRONZE.  
INSULATION MATERIAL: HIGH TEMPERATURE NYLON 46.  
COLOR REFER TO PAGE 43.
3. CONNECTOR DESIGNED TO ACCEPT BETWEEN 24 AND 18 GAUGE STRANDED WIRE.
4. ALL DIMENSIONS FOR REFERENCE UNLESS OTHERWISE STATED.
5. FOR FULL PRODUCT SPECIFICATION REFER TO ELCO SPEC 201-01-106 AND APPLICATION NOTES 201-01-124.
6. FOR PCB SPACE RESTRICTED BY WIRE ASSEMBLY TOOLING REFER TO PAGE 47.
7. FOR HAND WIRE ASSEMBLY TOOLING REFER TO PAGE 49.



| Code | Accepted Wire Gauge | A    | Wire Insulation | B   |
|------|---------------------|------|-----------------|-----|
| 001  | 18 Gauge Stranded   | 0.72 | Ø 1.6-2.1       | 2.1 |
| 011  | 20 Gauge Stranded   | 0.60 | Ø 1.6-2.1       | 2.1 |
| 022  | 22 Gauge Stranded   | 0.47 | Ø 1.1-1.6       | 1.6 |
| 032  | 24 Gauge Stranded   | 0.37 | Ø 1.1-1.6       | 1.6 |

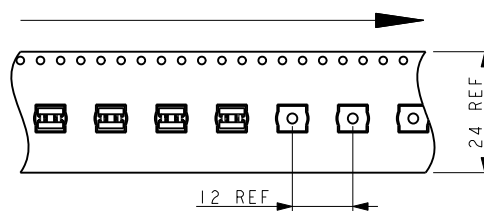
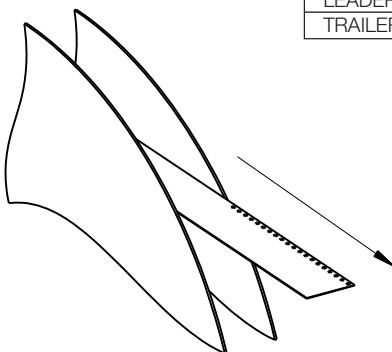
### SMT PCB LAYOUT

PURE TIN PADS



### PACKING DETAILS

|          |       |
|----------|-------|
| REEL QTY | 1000  |
| LEADER   | 480MM |
| TRAILER  | 120MM |

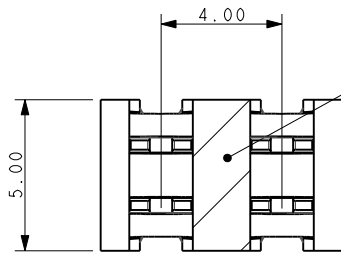


# SSL - Discrete Wire IDC



## Series 9176

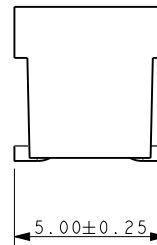
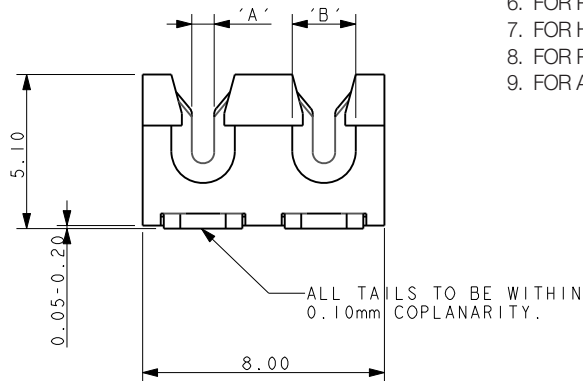
### 18-24 AWG 2 WAY IDC CONNECTOR



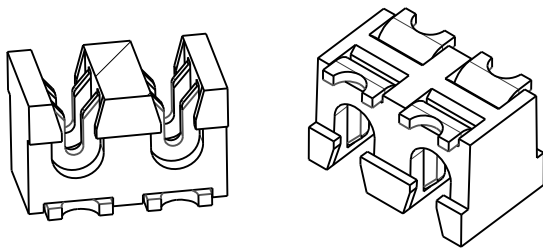
PICK UP AREA 1.9 x 5.00mm MIN

**NOTES:**

1. CONNECTOR FOR IDC WIRE TO BOARD CONNECTION.
2. CONTACT MATERIAL: PHOSPHORE BRONZE.  
INSULATION MATERIAL: HIGH TEMPERATURE NYLON 46.  
COLOR REFER TO PAGE 43.
3. CONNECTOR DESIGNED TO ACCEPT BETWEEN 24 AND 18 GAUGE STRANDED WIRE.
4. ALL DIMENSIONS FOR REFERENCE UNLESS OTHERWISE STATED.
5. FOR FULL PRODUCT SPECIFICATION REFER TO ELCO SPEC 201-01-106 AND APPLICATION NOTES 201-01-124.
6. FOR PCB SPACE RESTRICTED BY WIRE ASSEMBLY TOOLING REFER TO PAGE 47.
7. FOR HAND WIRE ASSEMBLY TOOLING REFER TO PAGE 49
8. FOR PRESS WIRE ASSEMBLY TOOLING REFER TO PAGE 50.
9. FOR ACCESSORY CAPS REFER TO PAGES 47 AND 48.

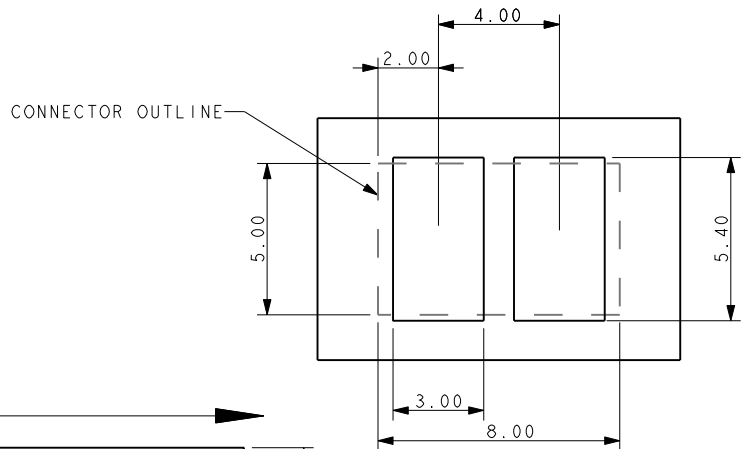


| Code | Accepted Wire Gauge | A    | Wire Insulation | B   |
|------|---------------------|------|-----------------|-----|
| 001  | 18 Gauge Stranded   | 0.72 | Ø 1.6-2.1       | 2.1 |
| 011  | 20 Gauge Stranded   | 0.60 | Ø 1.6-2.1       | 2.1 |
| 022  | 22 Gauge Stranded   | 0.47 | Ø 1.1-1.6       | 1.6 |
| 032  | 24 Gauge Stranded   | 0.37 | Ø 1.1-1.6       | 1.6 |



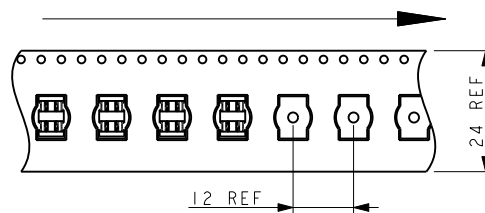
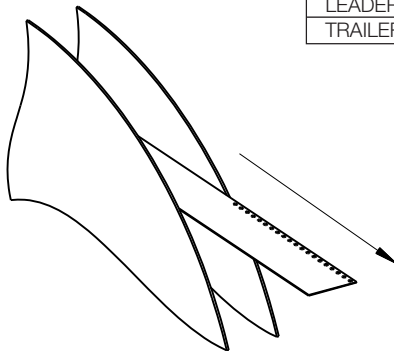
### SMT PCB LAYOUT

PURE TIN PADS



### PACKING DETAILS

|          |       |
|----------|-------|
| REEL QTY | 1000  |
| LEADER   | 480MM |
| TRAILER  | 120MM |

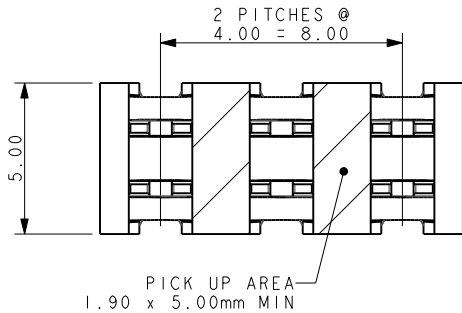


# SSL - Discrete Wire IDC



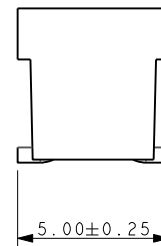
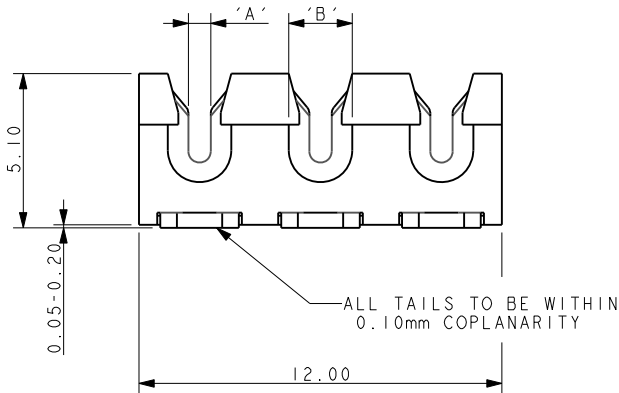
## Series 9176

### 18-24 AWG 3 WAY IDC CONNECTOR

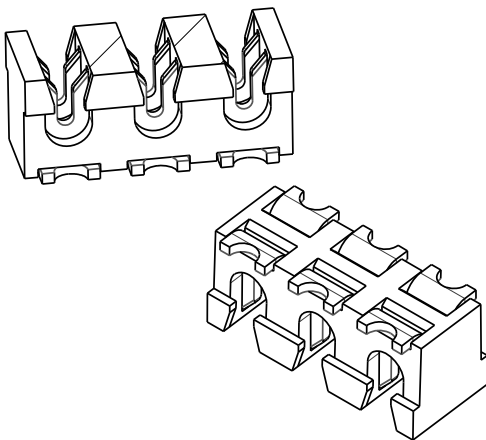


**NOTES:**

1. CONNECTOR FOR IDC WIRE TO BOARD CONNECTION.
2. CONTACT MATERIAL: PHOSPHORE BRONZE.  
INSULATION MATERIAL: HIGH TEMPERATURE NYLON 46.  
COLOR REFER TO PAGE 43.
3. CONNECTOR DESIGNED TO ACCEPT BETWEEN 24 AND 18 GAUGE STRANDED WIRE.
4. ALL DIMENSIONS FOR REFERENCE UNLESS OTHERWISE STATED.
5. FOR FULL PRODUCT SPECIFICATION REFER TO ELCO SPEC 201-01-106 AND APPLICATION NOTES 201-01-124.
6. FOR PCB SPACE RESTRICTED BY WIRE ASSEMBLY TOOLING REFER TO PAGE 47.
7. FOR HAND WIRE ASSEMBLY TOOLING REFER TO PAGE 49
8. FOR PRESS WIRE ASSEMBLY TOOLING REFER TO PAGE 50.
9. FOR ACCESSORY CAPS REFER TO PAGES 47 AND 48.

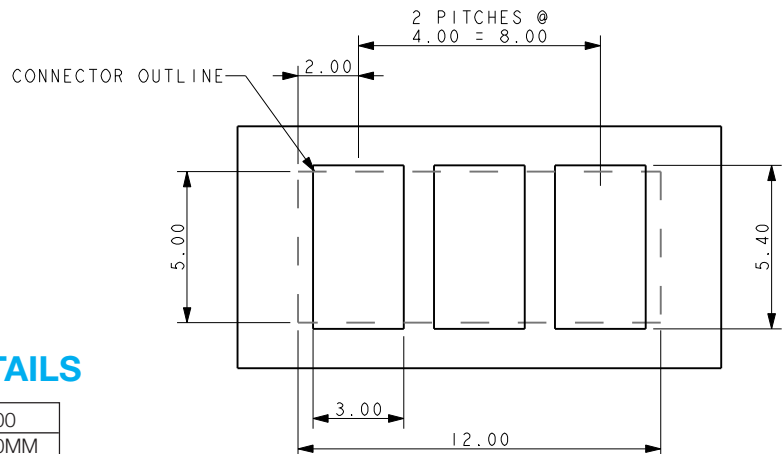


| Code | Accepted Wire Gauge | A    | Wire Insulation | B   |
|------|---------------------|------|-----------------|-----|
| 001  | 18 Gauge Stranded   | 0.72 | Ø 1.6-2.1       | 2.1 |
| 011  | 20 Gauge Stranded   | 0.60 | Ø 1.6-2.1       | 2.1 |
| 022  | 22 Gauge Stranded   | 0.47 | Ø 1.1-1.6       | 1.6 |
| 032  | 24 Gauge Stranded   | 0.37 | Ø 1.1-1.6       | 1.6 |



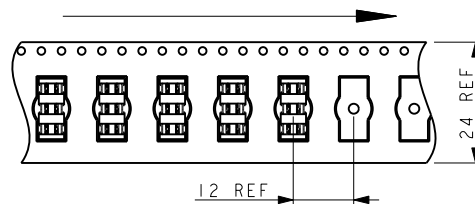
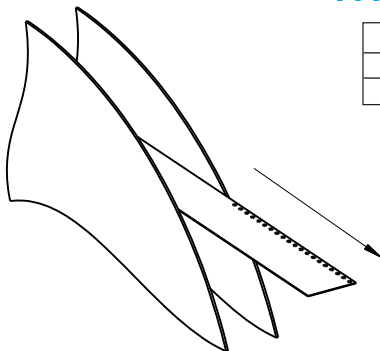
### SMT PCB LAYOUT

PURE TIN PADS



### PACKING DETAILS

|          |       |
|----------|-------|
| REEL QTY | 1000  |
| LEADER   | 480MM |
| TRAILER  | 120MM |



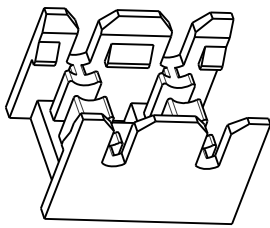
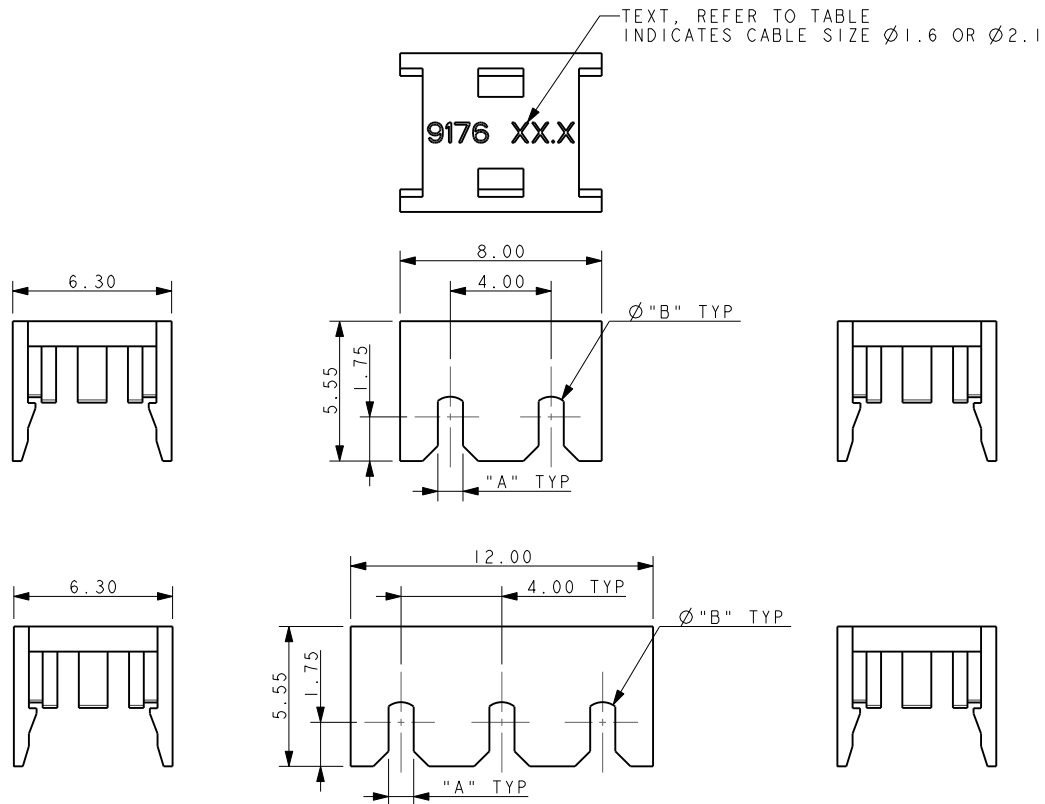
# SSL - Discrete Wire IDC



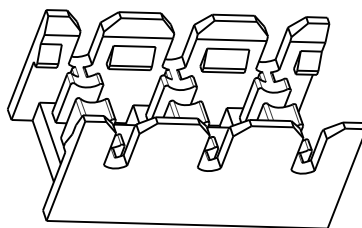
## Series 9176

60-9176-00X-0XX-X00

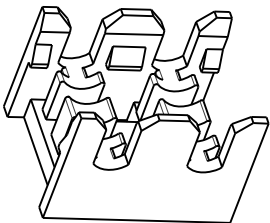
### ACCESSORY CAP – THROUGH WIRE



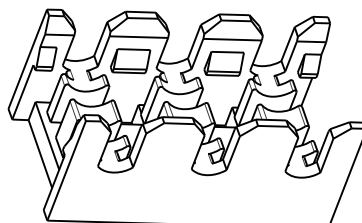
60-9176-002-016-X00



60-9176-003-016-X00



60-9176-002-021-X00



60-9176-003-021-X00

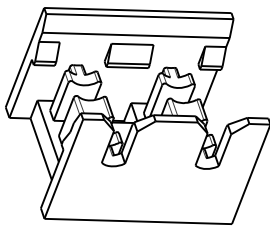
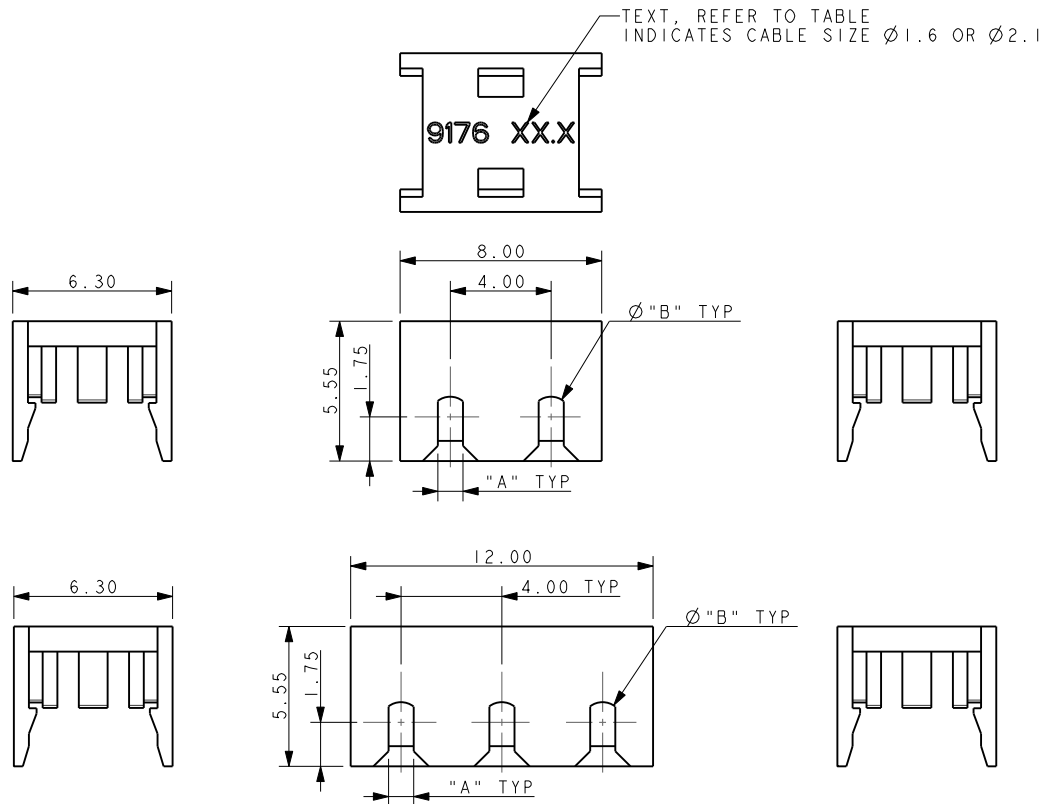
#### NOTES:

1. CAP FOR IDC WIRE TO BOARD CONNECTION, 2 AND 3 WAY, THROUGH WIRE.
2. FOR USE WITH STANDARD 9176 IDC CONNECTORS, SEE PAGE 43 FOR THE CORRECT PART CODE TO MATCH WIRE.
3. CAP MATERIAL: GLASS FILLED NYLON 46, FOR COLORS SEE TABLE BELOW.
4. DIMENSIONS A, B AND TEXT, SEE TABLE BELOW.
5. CAPS DESIGNED TO ACCOMMODATE WIRE INSULATION DIAMETERS 1.1MM TO 1.6MM AND 1.6MM TO 2.1MM.
6. ALL DIMENSIONS SHOWN ARE REFERENCE DIMENSIONS.
7. PACKED IN BAGS, 1000 PIECES PER BAG.

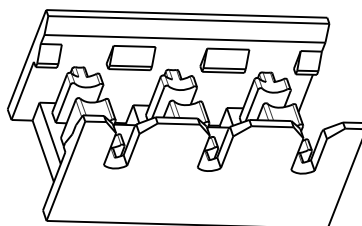
| Code | Slot A (AWG) | Diameter B | Text                   |
|------|--------------|------------|------------------------|
| 016  | 1.60 (22-24) | 1.00       | 9176 $\varnothing 1.6$ |
| 021  | 2.10 (18-20) | 1.50       | 9176 $\varnothing 2.1$ |

| Color | X00 |
|-------|-----|
| Black | 000 |
| White | 100 |

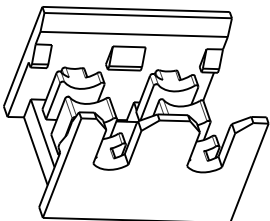
### 60-9176-00X-0XX-X99 ACCESSORY CAP - WIRE STOP



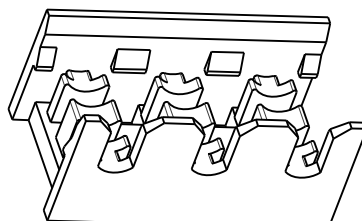
60-9176-002-016-X99



60-9176-003-016-X99



60-9176-002-021-X99



60-9176-003-021-X99

**NOTES:**

1. CAP FOR IDC WIRE TO BOARD CONNECTION, 2 AND 3 WAY, WITH WIRE STOP.
2. FOR USE WITH STANDARD 9176 IDC CONNECTORS, SEE PAGE 43 FOR THE CORRECT PART CODE TO MATCH WIRE.
3. CAP MATERIAL: GLASS FILLED NYLON 46, FOR COLORS SEE TABLE BELOW.
4. DIMENSIONS A, B AND TEXT, SEE TABLE BELOW.
5. CAPS DESIGNED TO ACCOMMODATE WIRE INSULATION DIAMETERS 1.1MM TO 1.6MM AND 1.6MM TO 2.1MM.
6. ALL DIMENSIONS SHOWN ARE REFERENCE DIMENSIONS.
7. PACKED IN BAGS, 1000 PIECES PER BAG.

| Code | Slot A (AWG) | Diameter B | Text      |
|------|--------------|------------|-----------|
| 016  | 1.60 (22-24) | 1.00       | 9176 Ø1.6 |
| 021  | 2.10 (18-20) | 1.50       | 9176 Ø2.1 |

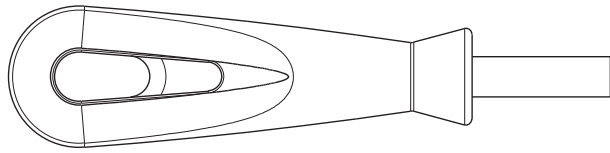
| Color | X99 |
|-------|-----|
| Black | 099 |
| White | 199 |

# SSL - Discrete Wire IDC



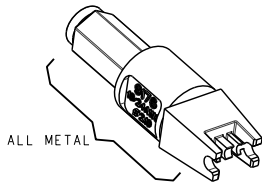
Series 9176

## HAND INSERTION TOOLING FOR SINGLE 18/24 GAUGE WIRE



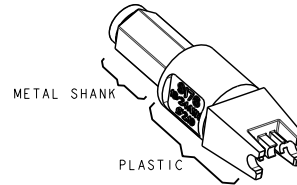
### UNIVERSAL HANDLE

| Details                 | Tool Part Number    |
|-------------------------|---------------------|
| 6.35 A/F HEX BIT HOLDER | 06 7000 7730 01 000 |



### HIGH PRODUCTION Metal

| Max Insulation Dia (AWG) | Tool Part Number    |
|--------------------------|---------------------|
| 2.10 (18-20)             | 06 9176 7017 01 000 |
| 1.60 (22-24)             | 06 9176 7017 02 000 |

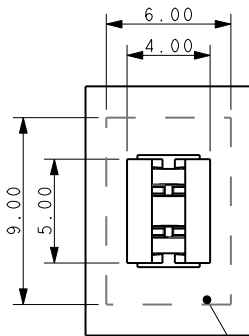


### MED PRODUCTION Metal/Plastic

| Max Insulation Dia (AWG) | Tool Part Number    |
|--------------------------|---------------------|
| 2.10 (18-20)             | 06 9176 7016 01 000 |
| 1.60 (22-24)             | 06 9176 7016 02 000 |

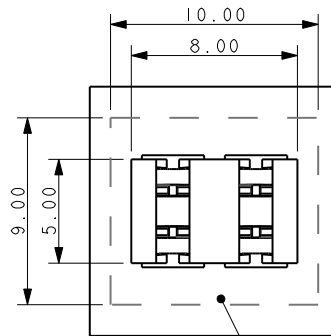
## CLEARANCE AREA ON PCB FOR HAND TOOLING

### 1 WAY



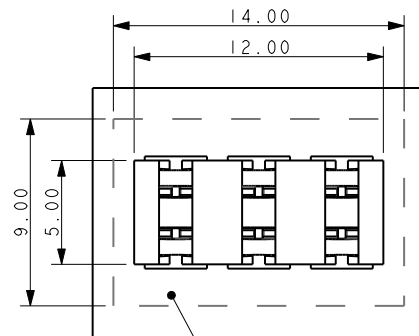
AREA TO BE KEPT CLEAR FOR TOOLING

### 2 WAY



AREA TO BE KEPT CLEAR FOR TOOLING

### 3 WAY



AREA TO BE KEPT CLEAR FOR TOOLING

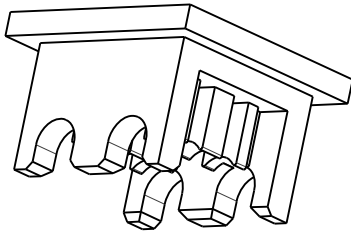
# SSL - Discrete Wire IDC



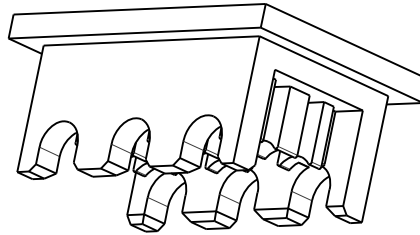
Series 9176

## INSERTION TOOLING REQUIRES HAND PRESS WITH FLAT ROCK PLATES

2 WAY



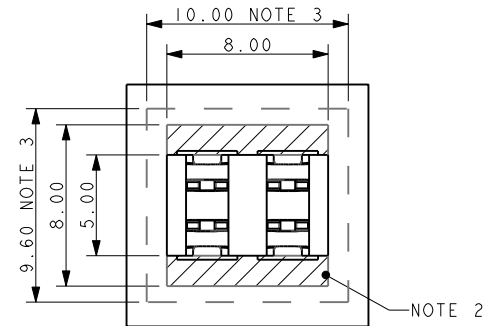
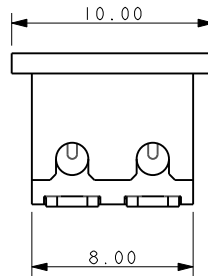
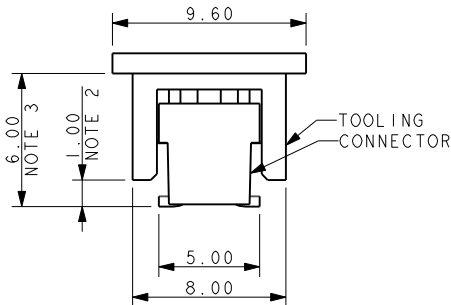
3 WAY



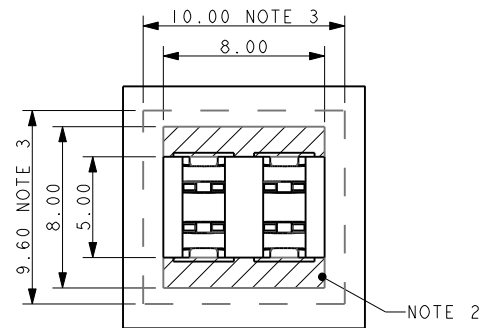
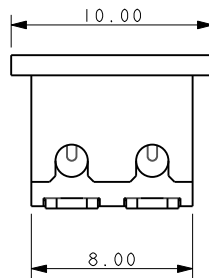
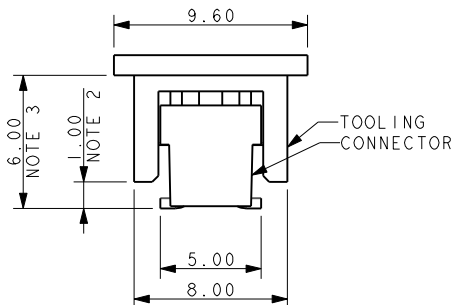
### HIGH PRODUCTION Metal

| No. of Ways | Max Insulation Dia (AWG) | Tool Part Number    |
|-------------|--------------------------|---------------------|
| 2           | 2.10 (18-20)             | 06 9176 7017 01 002 |
|             | 1.60 (22-24)             | 06 9176 7017 02 002 |
| 3           | 2.10 (18-20)             | 06 9176 7017 01 003 |
|             | 1.60 (22-24)             | 06 9176 7017 02 003 |

2 WAY



3 WAY



NOTES:

1. DIMENSIONS SHOWN ARE REFERENCE DIMENSIONS.
2. MAXIMUM COMPONENT HEIGHT 1.00MM IN THIS AREA.
3. MAXIMUM COMPONENT HEIGHT 6.00MM IN THIS AREA.
4. THE SAME RESTRICTIONS APPLY TO ALL WIRE INSULATION DIAMETERS
5. 2 AND 3 WAY TOOLS ONLY, FOR USE UNDER HAND PRESS WITH FLAT PLATES.
6. FOR HAND TOOLING REFER TO PAGE 47.





## Данный компонент на территории Российской Федерации

### Вы можете приобрести в компании MosChip.

Для оперативного оформления запроса Вам необходимо перейти по данной ссылке:

<http://moschip.ru/get-element>

Вы можете разместить у нас заказ для любого Вашего проекта, будь то серийное производство или разработка единичного прибора.

В нашем ассортименте представлены ведущие мировые производители активных и пассивных электронных компонентов.

Нашей специализацией является поставка электронной компонентной базы двойного назначения, продукции таких производителей как XILINX, Intel (ex.ALTERA), Vicor, Microchip, Texas Instruments, Analog Devices, Mini-Circuits, Amphenol, Glenair.

Сотрудничество с глобальными дистрибьюторами электронных компонентов, предоставляет возможность заказывать и получать с международных складов практически любой перечень компонентов в оптимальные для Вас сроки.

На всех этапах разработки и производства наши партнеры могут получить квалифицированную поддержку опытных инженеров.

Система менеджмента качества компании отвечает требованиям в соответствии с ГОСТ Р ИСО 9001, ГОСТ РВ 0015-002 и ЭС РД 009

### Офис по работе с юридическими лицами:

105318, г.Москва, ул.Щербаковская д.3, офис 1107, 1118, ДЦ «Щербаковский»

Телефон: +7 495 668-12-70 (многоканальный)

Факс: +7 495 668-12-70 (доб.304)

E-mail: [info@moschip.ru](mailto:info@moschip.ru)

Skype отдела продаж:

moschip.ru

moschip.ru\_4

moschip.ru\_6

moschip.ru\_9