



Main

| | |
|---------------------------|---|
| Range of product | OsiSense XM |
| Product or component type | Electronic pressure sensors |
| Pressure sensor type | Pressure transmitter |
| Pressure sensor name | XMLG |
| Pressure sensor size | 145.04 psi (10 bar) |
| Fluid connection type | G 1/4A (male) conforming to DIN 3852-E |
| Controlled fluid | Air (5...257 °F (-15...125 °C)) Corrosive fluid (5...257 °F (-15...125 °C)) Hydraulic oil (5...257 °F (-15...125 °C)) Fresh water (0...125 °C) |
| Type of output signal | Analogue |
| Analogue output function | 4...20 mA, 2 wires |
| Electrical connection | 3 pins 1 male connector M12 |
| [Us] rated supply voltage | 12 V DC, voltage limits: 8...33 V 24 V DC, voltage limits: 8...33 V |
| Quantity per set | Set of 1 |
| Type of packing | Individual |
| Diameter | 0.9 in (22.8 mm) |

Complementary

| | |
|---|--|
| Pressure setting range | 0...145.04 psi (0...10 bar) |
| Maximum permissible accidental pressure | 319.08 psi (22 bar) |
| Destruction pressure | 362.59 psi (25 bar) |
| Local display | Without |
| Electrical circuit type | Control circuit |
| Current consumption | < 20 mA |
| Materials in contact with fluid | Ceramic FPM (Viton) Stainless steel type AISI 303 |
| Operating position | Any position |
| Protection type | Load short-circuit Reverse polarity |
| Surge withstand | 1 kV (42 Ohm) conforming to EN/IEC 61000-4-5 500 kV (12 Ohm) conforming to EN/IEC 61000-4-5 |
| [Uimp] rated impulse withstand voltage | 0.5 kV |
| Response time on output | < 2 ms |
| Drift of the sensitivity | +/- 0.015 % of measuring range/°C |
| Drift of the zero point | +/- 0.015 % of measuring range/°C |
| Measurement accuracy | +/- 0.3 % of the measuring range |
| Repeat accuracy | +/- 0.1 % of the measuring range |
| Mechanical durability | >= 10000000 cycles |
| Product weight | 0.21 lb(US) (0.095 kg) |
| Height | 58.1 mm |
| Length | 1.91 in (48.5 mm) |
| Scale type | Fixed differential |

Environment

| | |
|------------------------|---------------------------|
| standards | CE EN/IEC 61326-2-3 |
| product certifications | UL 508 CSA C22.2 No 14 |

The information provided in this documentation contains general descriptions and/or technical characteristics of the products contained herein. This documentation is not intended as a substitute for and is not to be used for determining suitability or reliability of these products for specific user applications. It is the duty of any such user or integrator to perform the appropriate and complete risk analysis, evaluation and testing of the products with respect to the relevant specific application or use thereof. Neither Schneider Electric Industries SAS nor any of its affiliates or subsidiaries shall be responsible or liable for misuse of the information contained herein.

| | |
|---------------------------------------|---|
| | EAC |
| protective treatment | TC |
| ambient air temperature for operation | 5...185 °F (-15...85 °C) |
| ambient air temperature for storage | -40...185 °F (-40...85 °C) |
| vibration resistance | 20 gn (f = 9...2000 Hz) conforming to EN/IEC 60028-2-6 |
| shock resistance | 25 gn 11 ms conforming to EN/IEC 60068-2-27 |
| resistance to electrostatic discharge | 15 kV (in air) conforming to EN/IEC 61000-4-2 8 kV (on contact) conforming to EN/IEC 61000-4-2 |
| resistance to electromagnetic fields | 182.88 V/yd (200 V/m) (80...1000 Hz) conforming to EN/IEC 61000-4-3 |
| resistance to fast transients | 4 kV conforming to EN/IEC 61000-4-4 |
| resistance to conducted disturbances | 30 V (0.15...80 Hz) conforming to EN/IEC 61000-4-6 |
| resistance to magnetic fields | 30 A/m conforming to EN/IEC 61000-4-8 |
| IP degree of protection | IP66 conforming to EN/IEC 60529 IP67 conforming to EN/IEC 60529 |
| NEMA degree of protection | NEMA 4 |

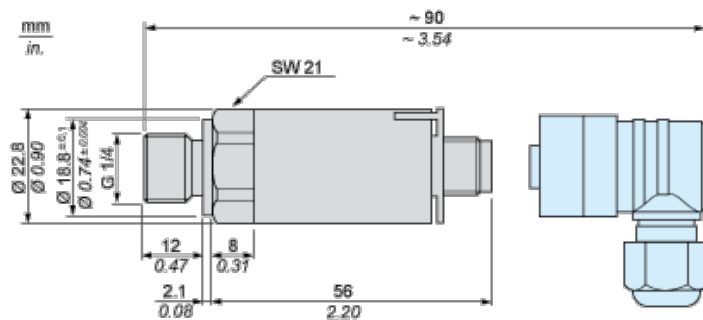
Offer Sustainability

| | |
|--|--|
| Not Green Premium product | Not Green Premium product |
| Compliant - since 0627 - Schneider Electric declaration of conformity | Compliant - since 0627 - Schneider Electric declaration of conformity |
| Reference not containing SVHC above the threshold | Reference not containing SVHC above the threshold |
| WARNING: This product can expose you to chemicals including: | WARNING: This product can expose you to chemicals including: |
| Diisononyl phthalate (DINP), which is known to the State of California to cause cancer, and | Diisononyl phthalate (DINP), which is known to the State of California to cause cancer, and |
| Di-isodecyl phthalate (DIDP), which is known to the State of California to cause birth defects or other reproductive harm. | Di-isodecyl phthalate (DIDP), which is known to the State of California to cause birth defects or other reproductive harm. |
| For more information go to www.p65warnings.ca.gov | For more information go to www.p65warnings.ca.gov |

Contractual warranty

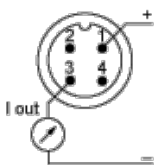
| | |
|-----------------|-----------|
| Warranty period | 18 months |
|-----------------|-----------|

Dimensions

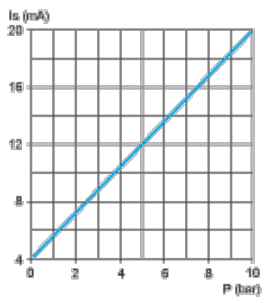


Wiring Diagram

2-Wire Technique (4-20 mA)



Output Curves



Данный компонент на территории Российской Федерации

Вы можете приобрести в компании MosChip.

Для оперативного оформления запроса Вам необходимо перейти по данной ссылке:

<http://moschip.ru/get-element>

Вы можете разместить у нас заказ для любого Вашего проекта, будь то серийное производство или разработка единичного прибора.

В нашем ассортименте представлены ведущие мировые производители активных и пассивных электронных компонентов.

Нашей специализацией является поставка электронной компонентной базы двойного назначения, продукции таких производителей как XILINX, Intel (ex.ALTERA), Vicor, Microchip, Texas Instruments, Analog Devices, Mini-Circuits, Amphenol, Glenair.

Сотрудничество с глобальными дистрибьюторами электронных компонентов, предоставляет возможность заказывать и получать с международных складов практически любой перечень компонентов в оптимальные для Вас сроки.

На всех этапах разработки и производства наши партнеры могут получить квалифицированную поддержку опытных инженеров.

Система менеджмента качества компании отвечает требованиям в соответствии с ГОСТ Р ИСО 9001, ГОСТ РВ 0015-002 и ЭС РД 009

Офис по работе с юридическими лицами:

105318, г.Москва, ул.Щербаковская д.3, офис 1107, 1118, ДЦ «Щербаковский»

Телефон: +7 495 668-12-70 (многоканальный)

Факс: +7 495 668-12-70 (доб.304)

E-mail: info@moschip.ru

Skype отдела продаж:

moschip.ru

moschip.ru_4

moschip.ru_6

moschip.ru_9