

The TGMR-4xxV8LF, reinforced insulation, 8 pin transformer series provides the isolation and voltage outputs required for low cost DC/DC converter circuits. Designed specifically for use with the Maxim™ MAX253 and MAX845 monolithic oscillator/power drivers with 3.3V or 5V power source. UL60950 and EN60950 recognized. As well, this series is ROHS compliant and "lead free". Smaller packages are available for lower isolation voltage applications. For more information, pertaining to the MAX253 or MAX845 please contact Maxim at (408) 737-7600.

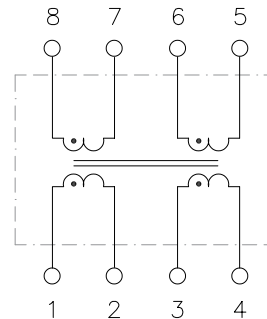


V8 SMD Package



DIMENSIONS: Inch [mm]
CO-PLANARITY: 0.004 [0.10]

Circuit Diagram



Electrical Specifications @ 25°C

PRI Pins: 1-4 (tie pins 2-3)
Insulation: Reinforced, 300V working voltage
Operating Temp: -40 to +85°C

| Part Number | Turns Ratio +/-3% | OCL Typ. | PRI DCR | ET Constant | Isolation |
|--------------|-------------------|----------|---------|-------------|-----------|
| SMD | PRI : SEC | μH | Ω Max | V-μs Min. | Vrms |
| TGMR-410V8LF | 1CT:0.50CT | 500 | 0.9 | 18 | 4,500 |
| TGMR-420V8LF | 1CT:0.375CT | 500 | 0.9 | 18 | 4,500 |
| TGMR-430V8LF | 1CT:0.75CT | 500 | 0.9 | 18 | 4,500 |
| TGMR-440V8LF | 1CT:1.33CT | 640 | 0.9 | 20 | 4,500 |
| TGMR-450V8LF | 1CT:1CT | 800 | 0.9 | 22 | 4,500 |

The TGM-NF, reinforced insulation, 8 pin transformers provide the isolation and voltage outputs required for low cost DC/DC converter circuits. UL1950, IEC950 and EN60950 recognized. Designed specifically for use with the Maxim™ MAX253 and MAX845 monolithic oscillator/power drivers with 3.3V or 5V power source. Smaller packages are available for lower isolation voltage applications. For more information, pertaining to the MAX845 please contact Maxim at (408) 737-7600. Maxim is a registered trademark of Maxim Integrated Products.



NF Package



DIMENSIONS: Inch [mm]
CO-PLANARITY: 0.004 [0.10]

Circuit Diagram



Electrical Specifications @ 25°C
 Operating Temp: -40 to +85°C
 Pri DCR: 0.8Ω
 Pri OCL (1-4, tie 2-3): 500μH typ

Patented Construction
 US Pat Nbrs: 5,656,985 6,297,721 B1
 6,297,720 B1 6,320,489 B1
 6,344,785 B1 6,662,431 B1

| Part Number | Turns Ratio (±3%) PRI:SEC | ET Constant Vμs Min | Isolation Vrms |
|-------------|------------------------------|------------------------|-------------------|
| TGM-410NF | 2CT:1CT | 18 | 4,500 |
| TGM-420NF | 8CT:3CT | 18 | 4,500 |
| TGM-430NF | 4CT:3CT | 18 | 4,500 |
| TGM-440NF | 3CT:4CT | 18 | 4,500 |
| TGM-450NF | 1CT:1CT | 18 | 4,500 |

The TGM-NF, reinforced insulation, 8 pin transformers provide the isolation and voltage outputs required for low cost DC/DC converter circuits. UL1950, IEC950 and EN60950 recognized. Designed specifically for use with the Maxim™ MAX253 and MAX845 monolithic oscillator/power drivers with 3.3V or 5V power source. Smaller packages are available for lower isolation voltage applications. For more information, pertaining to the MAX845 please contact Maxim at (408) 737-7600. Maxim is a registered trademark of Maxim Integrated Products.

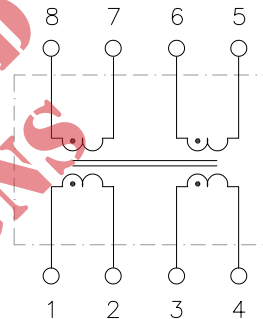


NF Package



DIMENSIONS: Inch [mm]
CO-PLANARITY: 0.004 [0.10]

Circuit Diagram



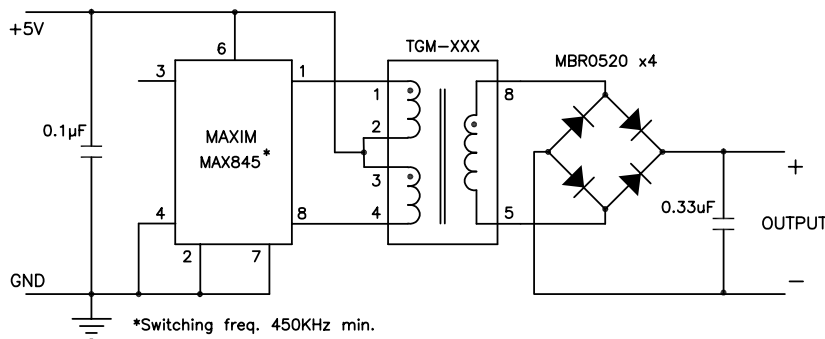
Electrical Specifications @ 25°C
Operating Temp: -40 to +85°C
Pri DCR: 0.8Ω
Pri OCL (1-4, tie 2-3): 500μH typ

Patented Construction
US Pat Nbrs: 5,656,985 6,297,721 B1
6,297,720 B1 6,320,489 B1
6,344,785 B1 6,662,431 B1

| Part Number | Turns Ratio (±3%) PRI:SEC | ET Constant Vμs Min | Isolation Vrms |
|-------------|------------------------------|------------------------|-------------------|
| TGM-410NFRL | 2CT:1CT | 11 | 4,500 |
| TGM-420NFRL | 8CT:3CT | 11 | 4,500 |
| TGM-430NFRL | 4CT:3CT | 11 | 4,500 |
| TGM-440NFRL | 3CT:4CT | 11 | 4,500 |
| TGM-450NFRL | 1CT:1CT | 11 | 4,500 |

The TGM-NF, reinforced insulation, 8 pin transformers provide the isolation and voltage outputs required for low cost DC/DC converter circuits. UL1950, IEC950 and EN60950 recognized. Designed specifically for use with the Maxim™ MAX253 and MAX845 monolithic oscillator/power drivers with 3.3V or 5V power source. Smaller packages are available for lower isolation voltage applications. For more information, pertaining to the MAX845 please contact Maxim at (408) 737-7600. Maxim is a registered trademark of Maxim Integrated Products.

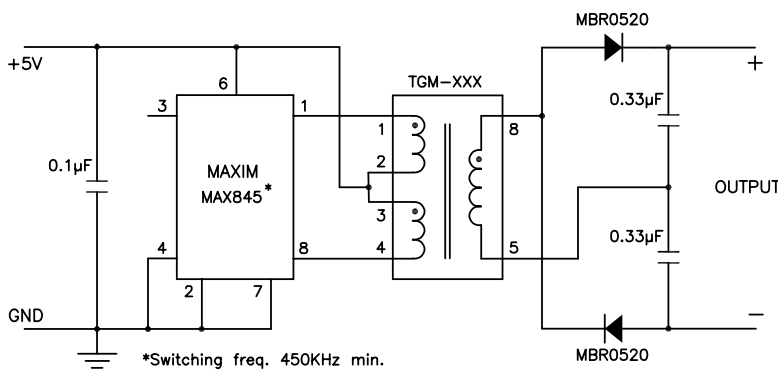
Bridge Rectifier Circuit



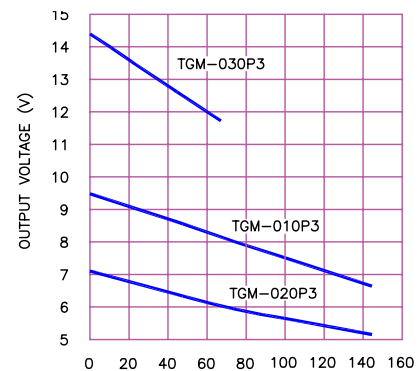
Output Voltages



Doubler Circuit



Output Voltages



Full Wave Rectifier Circuit



Output Voltages



Данный компонент на территории Российской Федерации

Вы можете приобрести в компании MosChip.

Для оперативного оформления запроса Вам необходимо перейти по данной ссылке:

<http://moschip.ru/get-element>

Вы можете разместить у нас заказ для любого Вашего проекта, будь то серийное производство или разработка единичного прибора.

В нашем ассортименте представлены ведущие мировые производители активных и пассивных электронных компонентов.

Нашей специализацией является поставка электронной компонентной базы двойного назначения, продукции таких производителей как XILINX, Intel (ex.ALTERA), Vicor, Microchip, Texas Instruments, Analog Devices, Mini-Circuits, Amphenol, Glenair.

Сотрудничество с глобальными дистрибьюторами электронных компонентов, предоставляет возможность заказывать и получать с международных складов практически любой перечень компонентов в оптимальные для Вас сроки.

На всех этапах разработки и производства наши партнеры могут получить квалифицированную поддержку опытных инженеров.

Система менеджмента качества компании отвечает требованиям в соответствии с ГОСТ Р ИСО 9001, ГОСТ РВ 0015-002 и ЭС РД 009

Офис по работе с юридическими лицами:

105318, г.Москва, ул.Щербаковская д.3, офис 1107, 1118, ДЦ «Щербаковский»

Телефон: +7 495 668-12-70 (многоканальный)

Факс: +7 495 668-12-70 (доб.304)

E-mail: info@moschip.ru

Skype отдела продаж:

moschip.ru

moschip.ru_4

moschip.ru_6

moschip.ru_9