

The TGMR-4xxV8LF, reinforced insulation, 8 pin transformer series provides the isolation and voltage outputs required for low cost DC/DC converter circuits. Designed specifically for use with the Maxim™ MAX253 and MAX845 monolithic oscillator/power drivers with 3.3V or 5V power source. UL60950 and EN60950 recognized. As well, this series is ROHS compliant and "lead free". Smaller packages are available for lower isolation voltage applications. For more information, pertaining to the MAX253 or MAX845 please contact Maxim at (408) 737-7600.



### V8 SMD Package



DIMENSIONS: Inch [mm]  
CO-PLANARITY: 0.004 [0.10]

### Circuit Diagram



### Electrical Specifications @ 25°C

PRI Pins: 1-4 (tie pins 2-3)  
Insulation: Reinforced, 300V working voltage  
Operating Temp: -40 to +85°C

| Part Number  | Turns Ratio +/-3% | OCL Typ. | PRI DCR | ET Constant | Isolation |
|--------------|-------------------|----------|---------|-------------|-----------|
| SMD          | PRI : SEC         | μH       | Ω Max   | V-μs Min.   | Vrms      |
| TGMR-410V8LF | 1CT:0.50CT        | 500      | 0.9     | 18          | 4,500     |
| TGMR-420V8LF | 1CT:0.375CT       | 500      | 0.9     | 18          | 4,500     |
| TGMR-430V8LF | 1CT:0.75CT        | 500      | 0.9     | 18          | 4,500     |
| TGMR-440V8LF | 1CT:1.33CT        | 640      | 0.9     | 20          | 4,500     |
| TGMR-450V8LF | 1CT:1CT           | 800      | 0.9     | 22          | 4,500     |

The TGM-NF, reinforced insulation, 8 pin transformers provide the isolation and voltage outputs required for low cost DC/DC converter circuits. UL1950, IEC950 and EN60950 recognized. Designed specifically for use with the Maxim™ MAX253 and MAX845 monolithic oscillator/power drivers with 3.3V or 5V power source. Smaller packages are available for lower isolation voltage applications. For more information, pertaining to the MAX845 please contact Maxim at (408) 737-7600. Maxim is a registered trademark of Maxim Integrated Products.



**NF Package**



DIMENSIONS: Inch [mm]  
CO-PLANARITY: 0.004 [0.10]

**Circuit Diagram**



Electrical Specifications @ 25°C  
 Operating Temp: -40 to +85°C  
 Pri DCR: 0.8Ω  
 Pri OCL (1-4, tie 2-3): 500μH typ

Patented Construction  
 US Pat Nbrs: 5,656,985 6,297,721 B1  
 6,297,720 B1 6,320,489 B1  
 6,344,785 B1 6,662,431 B1

| Part Number | Turns Ratio (±3%)<br>PRI:SEC | ET Constant<br>Vμs Min | Isolation<br>Vrms |
|-------------|------------------------------|------------------------|-------------------|
| TGM-410NF   | 2CT:1CT                      | 18                     | 4,500             |
| TGM-420NF   | 8CT:3CT                      | 18                     | 4,500             |
| TGM-430NF   | 4CT:3CT                      | 18                     | 4,500             |
| TGM-440NF   | 3CT:4CT                      | 18                     | 4,500             |
| TGM-450NF   | 1CT:1CT                      | 18                     | 4,500             |

The TGM-NF, reinforced insulation, 8 pin transformers provide the isolation and voltage outputs required for low cost DC/DC converter circuits. UL1950, IEC950 and EN60950 recognized. Designed specifically for use with the Maxim™ MAX253 and MAX845 monolithic oscillator/power drivers with 3.3V or 5V power source. Smaller packages are available for lower isolation voltage applications. For more information, pertaining to the MAX845 please contact Maxim at (408) 737-7600. Maxim is a registered trademark of Maxim Integrated Products.



**NF Package**



DIMENSIONS: Inch [mm]  
CO-PLANARITY: 0.004 [0.10]

**Circuit Diagram**



Electrical Specifications @ 25°C  
 Operating Temp: -40 to +85°C  
 Pri DCR: 0.8Ω  
 Pri OCL (1-4, tie 2-3): 500μH typ

Patented Construction  
 US Pat Nbrs: 5,656,985 6,297,721 B1  
 6,297,720 B1 6,320,489 B1  
 6,344,785 B1 6,662,431 B1

| Part Number | Turns Ratio (±3%)<br>PRI:SEC | ET Constant<br>Vμs Min | Isolation<br>Vrms |
|-------------|------------------------------|------------------------|-------------------|
| TGM-410NFRL | 2CT:1CT                      | 11                     | 4,500             |
| TGM-420NFRL | 8CT:3CT                      | 11                     | 4,500             |
| TGM-430NFRL | 4CT:3CT                      | 11                     | 4,500             |
| TGM-440NFRL | 3CT:4CT                      | 11                     | 4,500             |
| TGM-450NFRL | 1CT:1CT                      | 11                     | 4,500             |

The TGM-NF, reinforced insulation, 8 pin transformers provide the isolation and voltage outputs required for low cost DC/DC converter circuits. UL1950, IEC950 and EN60950 recognized. Designed specifically for use with the Maxim™ MAX253 and MAX845 monolithic oscillator/power drivers with 3.3V or 5V power source. Smaller packages are available for lower isolation voltage applications. For more information, pertaining to the MAX845 please contact Maxim at (408) 737-7600. Maxim is a registered trademark of Maxim Integrated Products.

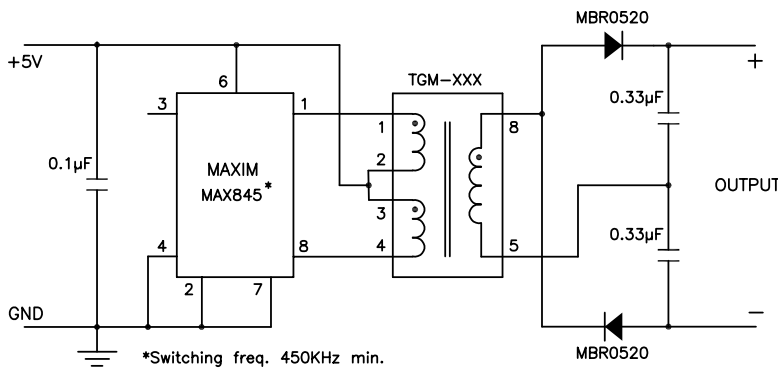
### Bridge Rectifier Circuit



### Output Voltages



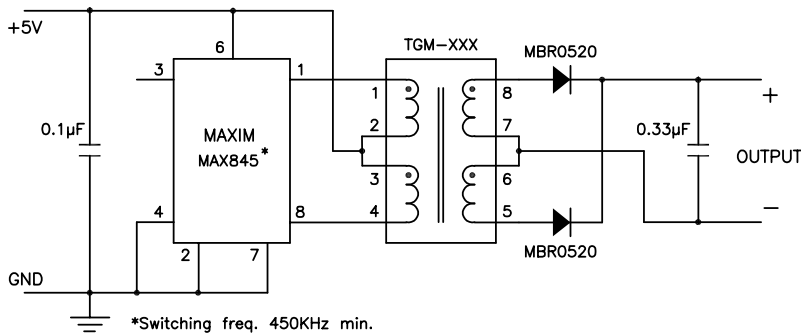
### Doubler Circuit



### Output Voltages



### Full Wave Rectifier Circuit



### Output Voltages



## Данный компонент на территории Российской Федерации

### Вы можете приобрести в компании MosChip.

Для оперативного оформления запроса Вам необходимо перейти по данной ссылке:

<http://moschip.ru/get-element>

Вы можете разместить у нас заказ для любого Вашего проекта, будь то серийное производство или разработка единичного прибора.

В нашем ассортименте представлены ведущие мировые производители активных и пассивных электронных компонентов.

Нашей специализацией является поставка электронной компонентной базы двойного назначения, продукции таких производителей как XILINX, Intel (ex.ALTERA), Vicor, Microchip, Texas Instruments, Analog Devices, Mini-Circuits, Amphenol, Glenair.

Сотрудничество с глобальными дистрибьюторами электронных компонентов, предоставляет возможность заказывать и получать с международных складов практически любой перечень компонентов в оптимальные для Вас сроки.

На всех этапах разработки и производства наши партнеры могут получить квалифицированную поддержку опытных инженеров.

Система менеджмента качества компании отвечает требованиям в соответствии с ГОСТ Р ИСО 9001, ГОСТ РВ 0015-002 и ЭС РД 009

### Офис по работе с юридическими лицами:

105318, г.Москва, ул.Щербаковская д.3, офис 1107, 1118, ДЦ «Щербаковский»

Телефон: +7 495 668-12-70 (многоканальный)

Факс: +7 495 668-12-70 (доб.304)

E-mail: [info@moschip.ru](mailto:info@moschip.ru)

Skype отдела продаж:

moschip.ru

moschip.ru\_4

moschip.ru\_6

moschip.ru\_9