

## DESCRIPTION

The MP6910A is a fast turn-off intelligent rectifier for flyback converters that combines a 100V power switch that replaces diode rectifiers for high efficiency. The chip regulates the forward voltage drop of the internal power switch to about 65mV and turns off before the voltage goes negative.

## FEATURES

- Integrated 15mΩ, 100V Power Switch
- Compatible with Energy Star
- VDD Range from 8V to 24V
- 65mV  $V_{DS}$  Regulation Function <sup>(1)</sup>
- Max 250kHz Switching Frequency
- Light-Load Mode Function <sup>(1)</sup> with <300μA Quiescent Current
- Supports High-Side and Low-Side Rectification
- Power Savings of Up to 1.5W in a Typical Notebook Adapter
- Available in a SOIC8 Package

## APPLICATIONS

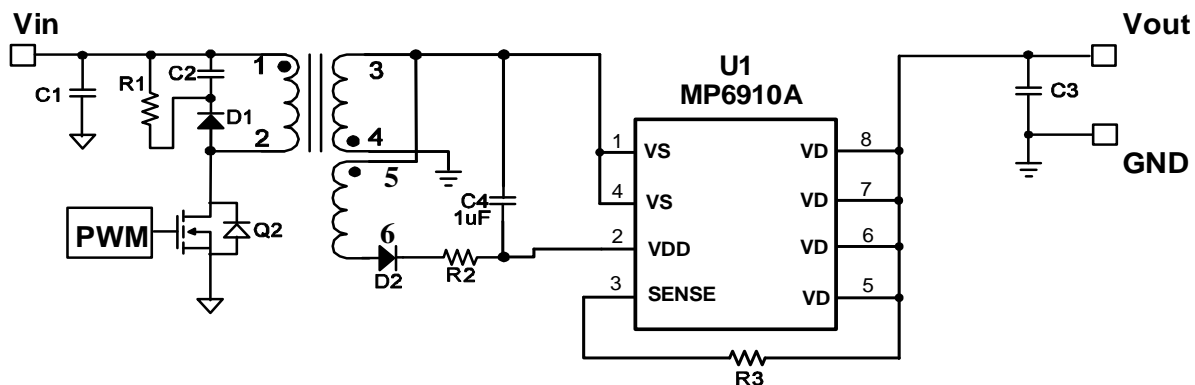
- Industrial Power Systems
- Distributed Power Systems
- Battery Powered Systems
- Flyback Converters

All MPS parts are lead-free, halogen-free, and adhere to the RoHS directive. For MPS green status, please visit the MPS website under Quality Assurance. "MPS" and "The Future of Analog IC Technology" are registered trademarks of Monolithic Power Systems, Inc.

### NOTE:

- 1) Related issued patent: US Patent US8, 067,973; US8,400,790. CN Patent ZL201010504140.4; ZL200910059751.X. Other patents pending.

## TYPICAL APPLICATION

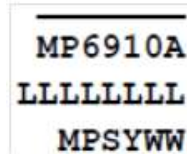


### ORDERING INFORMATION

| Part Number | Package | Top Marking |
|-------------|---------|-------------|
| MP6910AGS*  | SOIC-8  | See Below   |

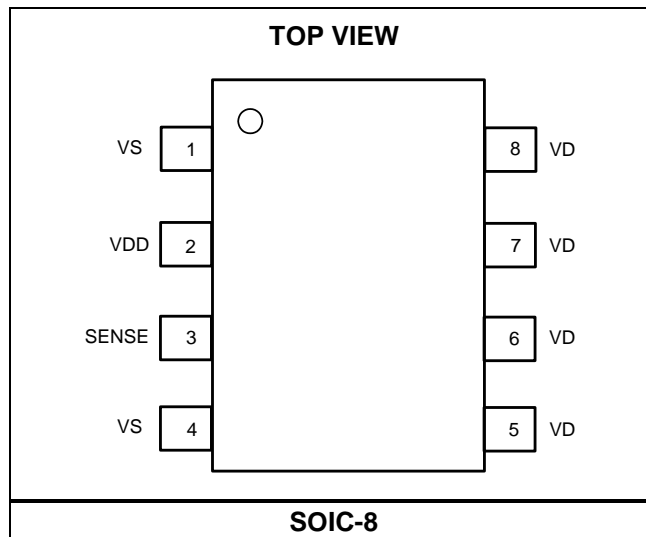
\* For Tape & Reel, add suffix -Z (e.g. MP6910AGS-Z)

### TOP MARKING



MP6910A: Part code of MP6910AGS  
 LLLLLLLL: Lot number  
 MPS: MPS prefix  
 Y: Year code  
 WW: Week code

### PACKAGE REFERENCE



**ABSOLUTE MAXIMUM RATINGS <sup>(2)</sup>**

|   |                 |
|---|-----------------|
| VDD to VS .....   | -0.3V to +25V   |
| VD to VS.....   | -0.7V to +100V  |
| SENSE to VS.....  | -0.7V to +180V  |
| Maximum operating frequency .....                       | 250kHz          |
| Continuous drain current (T <sub>C</sub> = 25°C) .....  | 25A             |
| Continuous drain current (T <sub>C</sub> = 100°C) ..... | 15A             |
| Maximum power dissipation <sup>(3)</sup> .....          | 2.7W            |
| Junction temperature .....                              | 150°C           |
| Lead temperature (solder) .....                         | 260°C           |
| Storage temperature .....                               | -55°C to +150°C |

**Recommended Operation Conditions <sup>(4)</sup>**

|   |                 |
|---|-----------------|
| VDD to VS .....                               | 8V to 24V       |
| Operating junction temp. (T <sub>J</sub> ) .. | -40°C to +125°C |

|  |                       |                       |
|--|-----------------------|-----------------------|
| <b>Thermal Resistance <sup>(5)</sup></b> | <b>θ<sub>JA</sub></b> | <b>θ<sub>JC</sub></b> |
| SOIC-8.....                              | 67.....               | 30 ... °C/W           |

**NOTES:**

- 2) Exceeding these ratings may damage the device.
- 3) T<sub>A</sub> = +25°C. The maximum allowable power dissipation is a function of the maximum junction temperature T<sub>J</sub>(MAX), the junction-to-ambient thermal resistance θ<sub>JA</sub>, and the ambient temperature T<sub>A</sub>. The maximum allowable continuous power dissipation at any ambient temperature is calculated by P<sub>D</sub>(MAX) = (T<sub>J</sub>(MAX)-T<sub>A</sub>)/θ<sub>JA</sub>. Exceeding the maximum allowable power dissipation produces an excessive die temperature, causing the regulator to go into thermal shutdown. Internal thermal shutdown circuitry protects the device from permanent damage.
- 4) The device is not guaranteed to function outside of its operating conditions.
- 5) Measured on JESD51-7, 4-layer PCB.

## ELECTRICAL CHARACTERISTICS

VDD = 12V, T<sub>J</sub> = -40 ~ 125°C, unless otherwise noted.

| Parameter   | Symbol                | Conditions   | Min  | Typ   | Max  | Units |
|---|-----------------------|--|------|-------|------|-------|
| Drain-source breakdown voltage                                | V <sub>(BR)DSS</sub>  | T <sub>J</sub> = 25°C  | 100  |       |      | V     |
| VDD UVLO rising   |                       |  | 4.8  | 5.8   | 6.8  | V     |
| VDD UVLO hysteresis   |                       |  | 0.7  | 1     | 1.3  | V     |
| Operating current   | I <sub>CC</sub>       | F <sub>SW</sub> = 100kHz   |      | 2.6   | 4    | mA    |
| Light-load mode current                                       |                       |  |      | 255   | 350  | µA    |
| <b>Control Circuitry Section</b>                              |                       |  |      |       |      |       |
| VSS - VD forward voltage                                      | V <sub>fwd</sub>      |  | 45   | 65    | 85   | mV    |
| Turn-on delay <sup>(6)</sup>                                  | T <sub>Don</sub>      |  |      | 100   |      | ns    |
| Turn off threshold (VSS - VD) <sup>(7)</sup>                  |                       |  |      | 30    |      | mV    |
| Turn-off delay <sup>(7)</sup>                                 | T <sub>Doff</sub>     | VD = VSS   |      | 30    |      | ns    |
| Minimum on-time <sup>(6)</sup>                                | T <sub>MIN</sub>      |  |      | 1     |      | µs    |
| Light-load enter delay  | T <sub>LL-Delay</sub> |  | 60   | 110   | 160  | µs    |
| Light-load enter pulse width                                  | T <sub>LL</sub>       |  | 1.4  | 2.2   | 3.6  | µs    |
| Light-load enter pulse width hysteresis                       | T <sub>LL-H</sub>     |  |      | 0.27  |      | µs    |
| Light-load mode exit pulse width threshold (V <sub>DS</sub> ) | V <sub>LL-DS</sub>    |  | -450 | -250  | -110 | mV    |
| <b>Power Switch Section</b>                                   |                       |  |      |       |      |       |
| Single pulse avalanche energy                                 | E <sub>AS</sub>       | VDD=50V, V <sub>GS</sub> = 10V, L = 1.0mH, T <sub>J</sub> = 25°C |      | 100   |      | mJ    |
| Drain-source on state resistance                              | R <sub>DS(ON)</sub>   | VDD = 12V, I <sub>D</sub> = 2A, T <sub>J</sub> = 25°C            |      | 15    | 20   | mΩ    |
| Input capacitance   | C <sub>iss</sub>      | V <sub>DS</sub> = 40V, V <sub>GS</sub> = 0V, f = 1MHz            |      | 1925  |      | pF    |
| Output capacitance  | C <sub>oss</sub>      |  |      | 307   |      | pF    |
| Reverse transfer capacitance                                  | C <sub>rss</sub>      |  |      | 20    |      | pF    |
| <b>Source-Drain Diode Characteristics</b>                     |                       |  |      |       |      |       |
| Source-Drain diode forward voltage                            | V <sub>SD</sub>       | I <sub>S</sub> = 20A, V <sub>GS</sub> = 0V                       |      | 0.8   | 1.2  | V     |
| Reverse recovery time   | t <sub>rr</sub>       | I <sub>F</sub> = 10A, dI/dt = 100A/µs                            |      | 78.8  |      | ns    |
| Diode reverse charge  | Q <sub>rr</sub>       |  |      | 105.6 |      | nC    |

**NOTES:**

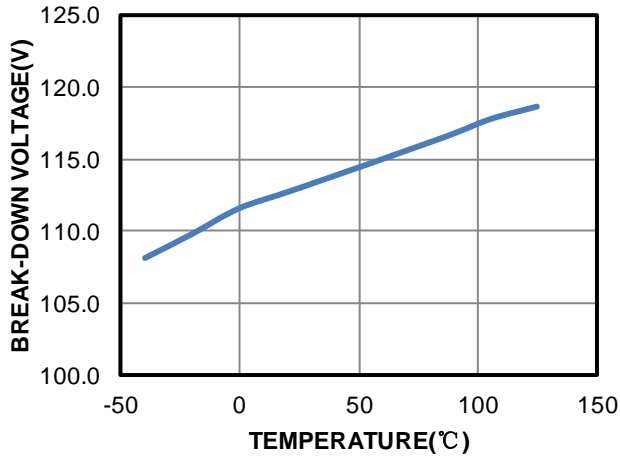
6) Guaranteed by characterization.

7) Guaranteed by design.

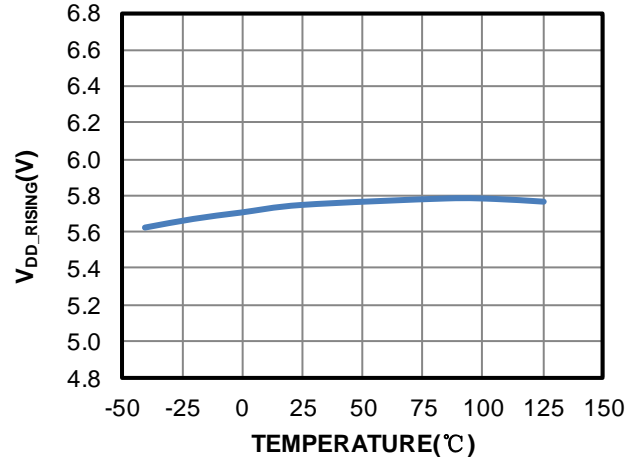
## TYPICAL CHARACTERISTICS

VDD = 12V, unless otherwise noted.

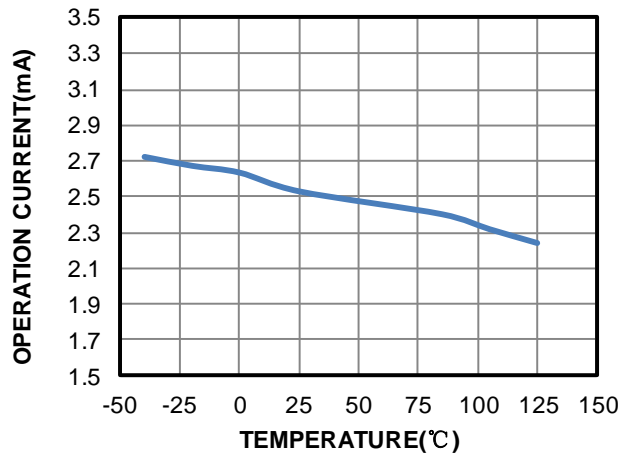
**Break-Down Voltage vs. Temperature**



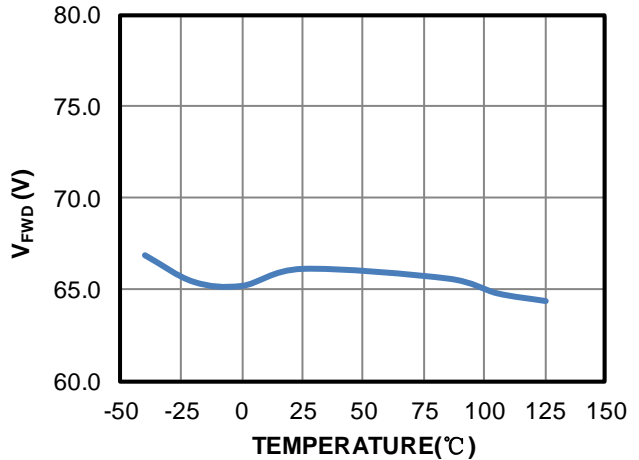
**VDD Rising vs. Temperature**



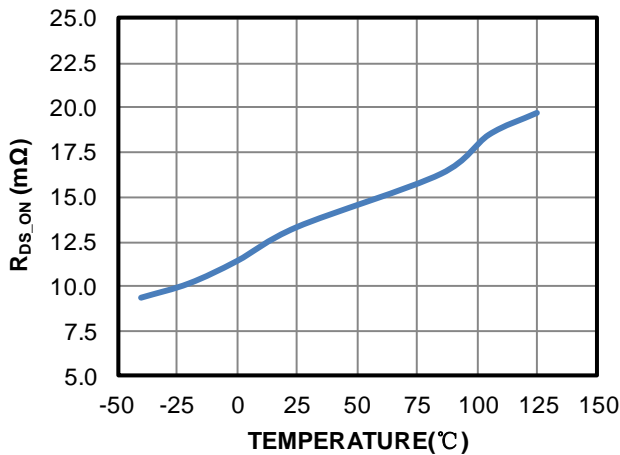
**Operation Current vs. Temperature**



**V<sub>FWD</sub> vs. Temperature**



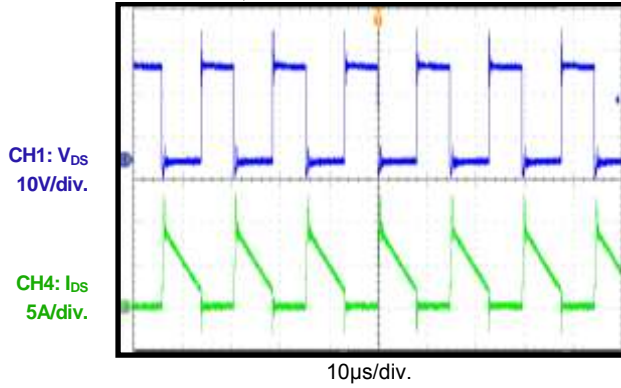
**R<sub>DS(ON)</sub> vs. Temperature**



### TYPICAL PERFORMANCE CHARACTERISTICS

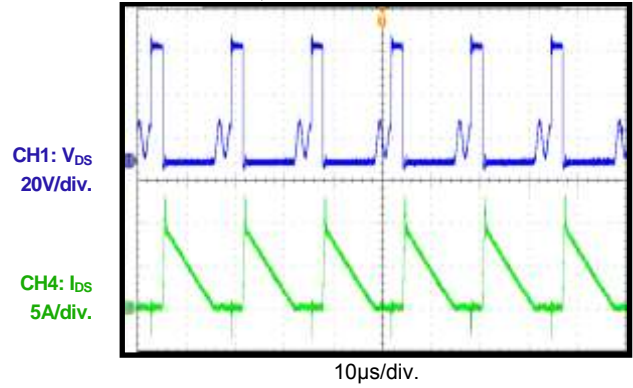
Operation in 30W Flyback Application

$V_{IN} = 90V_{AC}$ ,  $I_{OUT} = 3A$



Operation in 30W Flyback Application

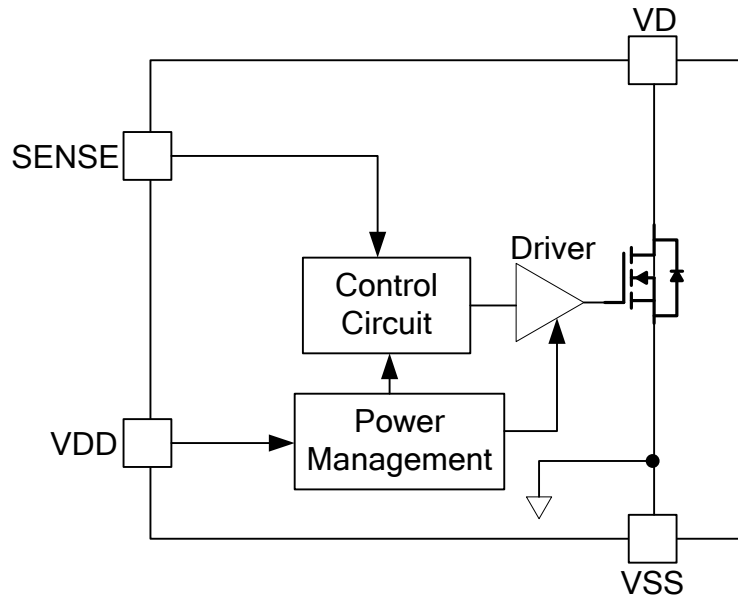
$V_{IN} = 265V_{AC}$ ,  $I_{OUT} = 3A$



**PIN FUNCTIONS**

| Pin # | Name  | Description   |
|-------|-------|---|
| 1, 4  | VS    | <b>MOSFET source.</b> VS is also used as a reference for VDD. |
| 2     | VDD   | <b>Supply voltage.</b>  |
| 3     | SENSE | <b>MOSFET drain voltage sensing.</b>                          |
| 5 - 8 | VD    | <b>MOSFET drain.</b>  |

**BLOCK DIAGRAM**



**Figure 1: Function Block Diagram**



## OPERATION

The MP6910A supports operation in flyback converters. The control circuitry controls the gate in forward mode and turns the gate off when the MOSFET current is fairly low.

### Blanking

The control circuitry contains a blanking function. When the integrated MOSFET is pulled on or off, the circuitry ensures that the on/off state lasts for a specific amount of time. The turn-on blanking time is  $\sim 1.0\mu\text{s}$ , which determines the minimum on time. During the turn-on blanking period, the turn-off threshold is not blanked completely, but changes the threshold voltage to about  $+50\text{mV}$  (instead of  $-30\text{mV}$ ). This assures that the MP6910A can always be turned off, even during the turn-on blanking period (albeit it does so slower).

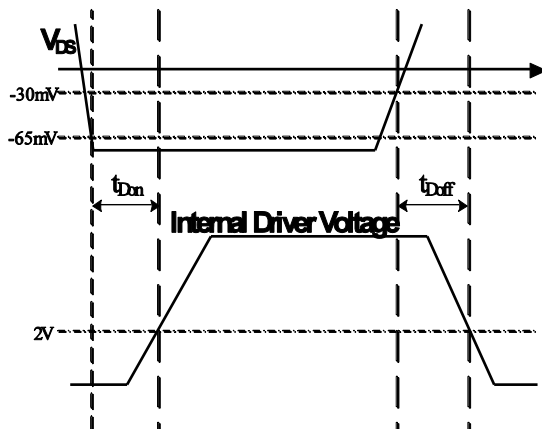
### Under-Voltage Lockout (UVLO)

When the VDD is below the under-voltage lockout (UVLO) threshold, the MP6910A is in sleep mode, and the integrated MOSFET is never turned on.

### Basic Operation

The basic operations of a flyback converter with the MP6910A are listed below.

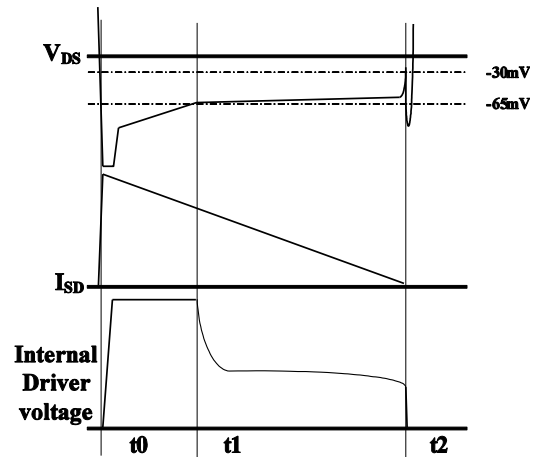
1. **Turn-On Phase:** The switch current first flows through the body diode of the integrate MOSFET, which generates a negative  $V_{DS}$  across it (less than  $-500\text{mV}$ ). The voltage is much smaller than the turn-on threshold of the control circuitry ( $-65\text{mV}$ ), which turns on the integrated MOSFET after a 200ns turn-on delay (see Figure 2).



**Figure 2: Turn-On and Turn-Off Delay**

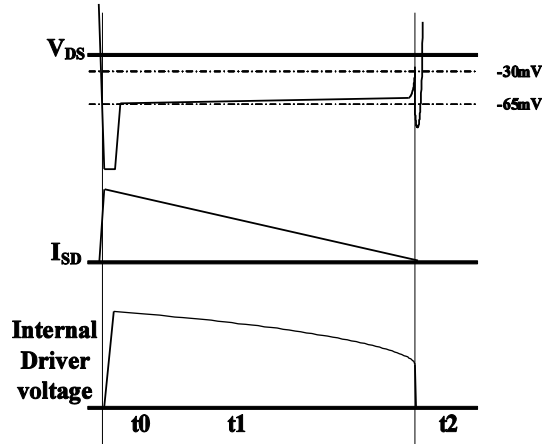
2. **Conducting Phase:** When the integrated MOSFET is turned on,  $V_{DS}$  starts to rise according to its on resistance. Once  $V_{DS}$  rises above the turn-on threshold ( $-65\text{mV}$ ), the control circuitry regulates the gate voltage of the integrated MOSFET to keep  $V_{DS}$  around  $-65\text{mV}$ , even when the current through the switch is fairly small. This function can make the internal driver voltage fairly low when the MOSFET is turned off to quicken the turn-off speed. This function is still active during the turn-on blanking period, which means that the integrated MOSFET can still be turned off even with a very small duty.

Figure 3 shows the synchronous rectification operation at heavy-load condition. Due to the high current, the internal driver voltage is saturated first. After  $V_{DS}$  rises above  $-65\text{mV}$ , the driver voltage decreases to adjust the  $V_{DS}$  to a typical  $-65\text{mV}$ .



**Figure 3: Synchronous Rectification Operation at Heavy Load**

Figure 4 shows the synchronous rectification operation at light-load condition. Due to the low current, the driver voltage never saturates, but begins to decrease once the integrated MOSFET is turned on and adjusts  $V_{DS}$ .

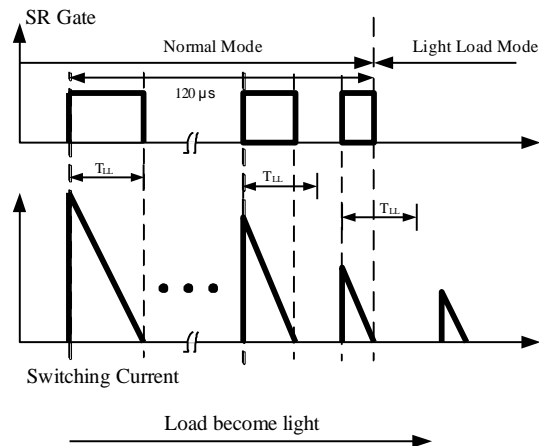


**Figure 4: Synchronous Rectification Operation at Light Load**

3. **Turn-Off Phase:** When  $V_{DS}$  rises to trigger the turn-off threshold (-30mV), the driver voltage of the switch is pulled low after about 30ns of turn-off delay time by the control circuitry (see Figure 2). Similar with the turn-on phase, a 200ns blanking time is added after the switch is turned off to avoid an erroneous trigger.

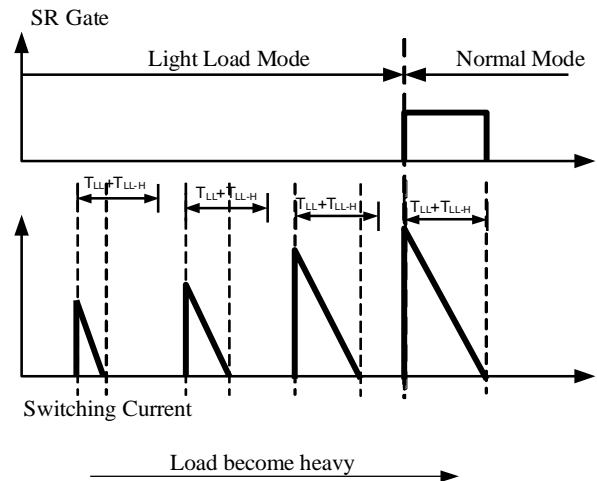
### Light-Load Latch-Off Function

The gate driver of the integrated MOSFET in the MP6910A is latched to save the driver loss at light-load condition to improve efficiency. The light-load enter pulse width ( $T_{LL}$ ) is fixed internally (~2.2 $\mu$ s). When the synchronous power switch conducting period is lower than  $T_{LL}$  for longer than the light-load enter delay ( $T_{LL-Delay}$ ), the MP6910A enters light-load mode and latches off the integrated MOSFET (see Figure 5).



**Figure 5: Enter Light Load Mode**

During light-load mode, the MP6910A monitors the integrated MOSFET body diode conducting period by sensing  $V_{DS}$ . When  $V_{DS}$  exceeds the light-load mode exit pulse width threshold ( $V_{LL-DS}$ ), the MP6910A considers the integrated MOSFET body diode conducting time to be completed. If the MOSFET body diode conduction time is longer than  $T_{LL} + T_{LL-H}$  ( $T_{LL-H}$ , light-load-enter pulse width hysteresis), the light-load mode is finished and the integrated MOSFET of the MP6910A is unlatched to restart synchronous rectification (see Figure 6).



**Figure 6: Exit Light Load Mode**

### Typical System Implementations

Figure 7 shows the typical system implementation for the IC supply derived from the output voltage, which is available in low-side rectification. The output voltage is recommended to be in the VDD range (from 8V to 24V).

If the output voltage is out of the VDD range or high-side rectification is used, it is recommended to use an auxiliary winding from the power transformer for the IC supply (see Figure 8 and Figure 9).

There is another non-auxiliary winding solution for the IC supply, which uses an external LDO circuit from the secondary transformer winding (see Figure 10 and Figure 11). Compared with an auxiliary winding for the IC supply, this solution has a slightly higher power loss, which is dissipated on the LDO circuit, especially when the secondary winding voltage is high.

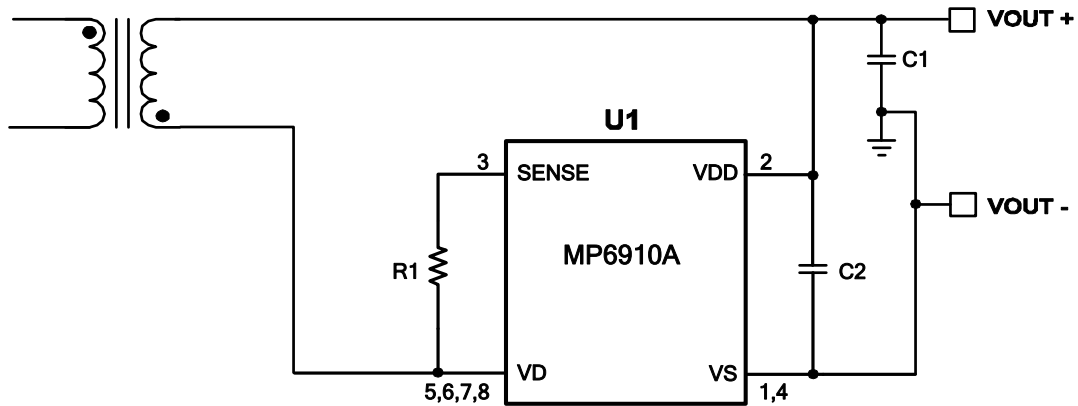


Figure 7: IC Supply Derived Directly from Output Voltage

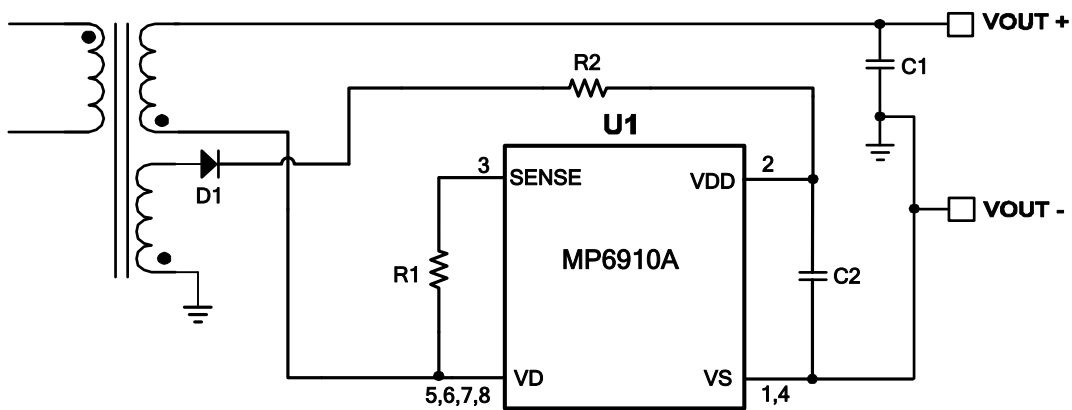


Figure 8: IC Supply Derived from Auxiliary Winding in Low-Side Rectification

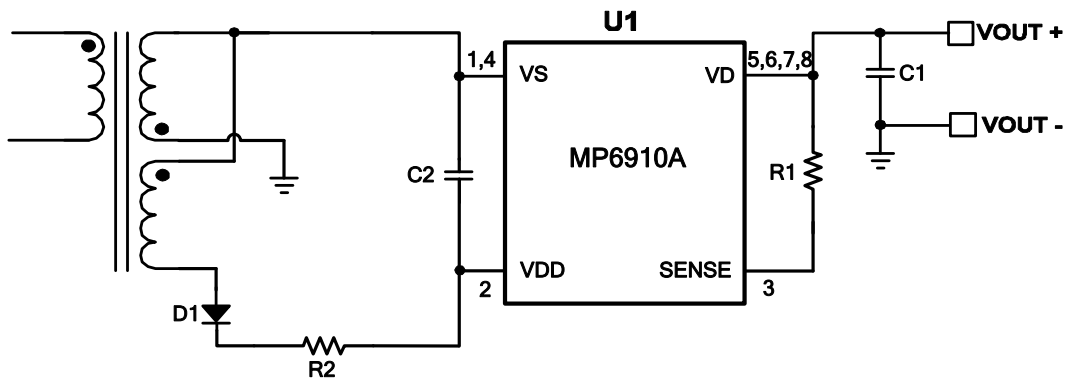


Figure 9: IC Supply Derived from Auxiliary Winding in High-Side Rectification

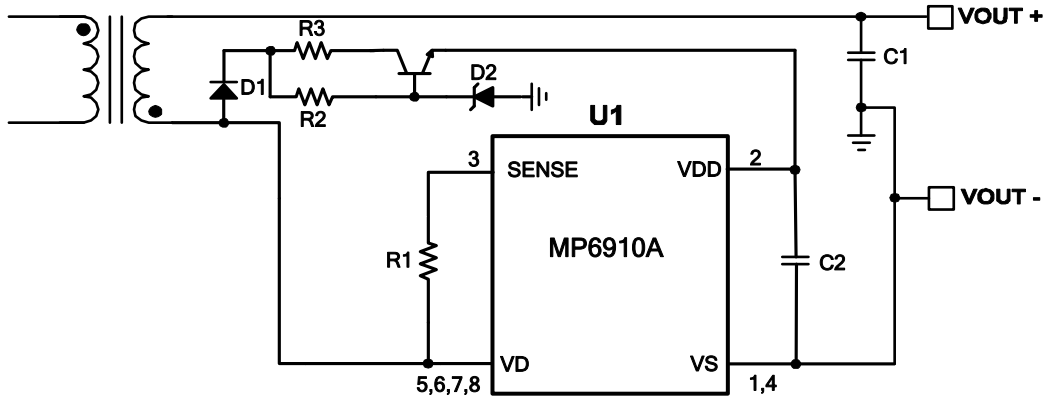


Figure 10: IC Supply Derived from Secondary Winding in Low-Side Rectification

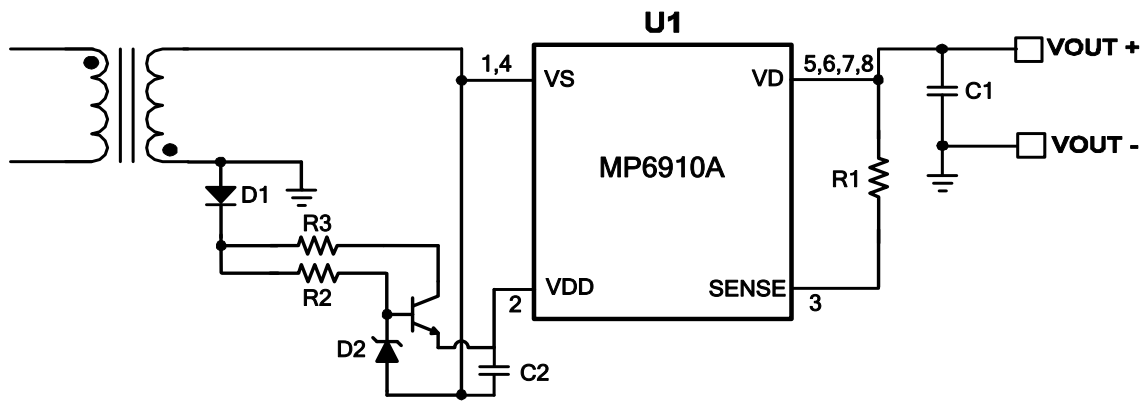
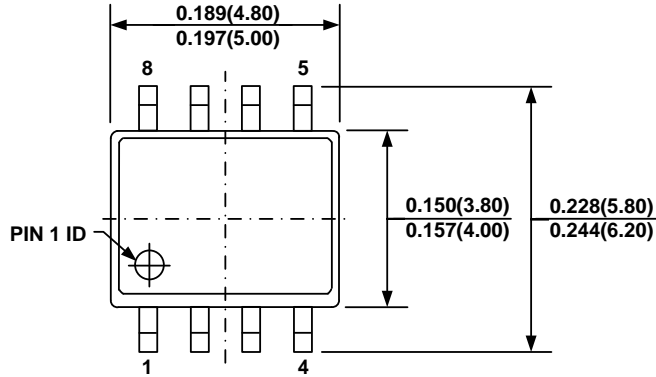


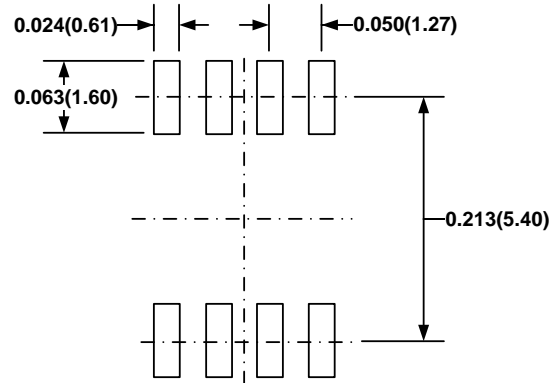
Figure 11: IC Supply Derived from Secondary Winding in High-Side Rectification

## PACKAGE INFORMATION

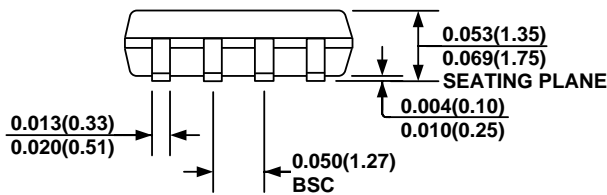
## SOIC-8



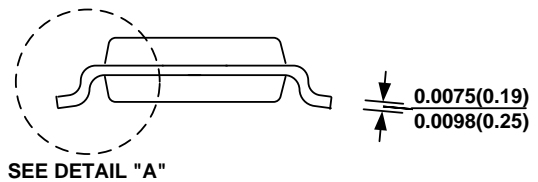
TOP VIEW



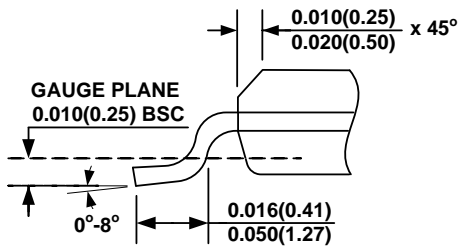
RECOMMENDED LAND PATTERN



FRONT VIEW



SIDE VIEW



DETAIL "A"

**NOTE:**

- 1) CONTROL DIMENSION IS IN INCHES. DIMENSION IN BRACKET IS IN MILLIMETERS.
- 2) PACKAGE LENGTH DOES NOT INCLUDE MOLD FLASH, PROTRUSIONS OR GATE BURRS.
- 3) PACKAGE WIDTH DOES NOT INCLUDE INTERLEAD FLASH OR PROTRUSIONS.
- 4) LEAD COPLANARITY (BOTTOM OF LEADS AFTER FORMING) SHALL BE 0.004" INCHES MAX.
- 5) DRAWING CONFORMS TO JEDEC MS-012, VARIATION AA.
- 6) DRAWING IS NOT TO SCALE.

**NOTICE:** The information in this document is subject to change without notice. Users should warrant and guarantee that third party Intellectual Property rights are not infringed upon when integrating MPS products into any application. MPS will not assume any legal responsibility for any said applications.

## Данный компонент на территории Российской Федерации

### Вы можете приобрести в компании MosChip.

Для оперативного оформления запроса Вам необходимо перейти по данной ссылке:

<http://moschip.ru/get-element>

Вы можете разместить у нас заказ для любого Вашего проекта, будь то серийное производство или разработка единичного прибора.

В нашем ассортименте представлены ведущие мировые производители активных и пассивных электронных компонентов.

Нашей специализацией является поставка электронной компонентной базы двойного назначения, продукции таких производителей как XILINX, Intel (ex.ALTERA), Vicor, Microchip, Texas Instruments, Analog Devices, Mini-Circuits, Amphenol, Glenair.

Сотрудничество с глобальными дистрибьюторами электронных компонентов, предоставляет возможность заказывать и получать с международных складов практически любой перечень компонентов в оптимальные для Вас сроки.

На всех этапах разработки и производства наши партнеры могут получить квалифицированную поддержку опытных инженеров.

Система менеджмента качества компании отвечает требованиям в соответствии с ГОСТ Р ИСО 9001, ГОСТ РВ 0015-002 и ЭС РД 009

### Офис по работе с юридическими лицами:

105318, г.Москва, ул.Щербаковская д.3, офис 1107, 1118, ДЦ «Щербаковский»

Телефон: +7 495 668-12-70 (многоканальный)

Факс: +7 495 668-12-70 (доб.304)

E-mail: [info@moschip.ru](mailto:info@moschip.ru)

Skype отдела продаж:

moschip.ru

moschip.ru\_4

moschip.ru\_6

moschip.ru\_9