

# DS600

## ±0.5 Accurate Analog-Output Temperature Sensor

[www.maxim-ic.com](http://www.maxim-ic.com)

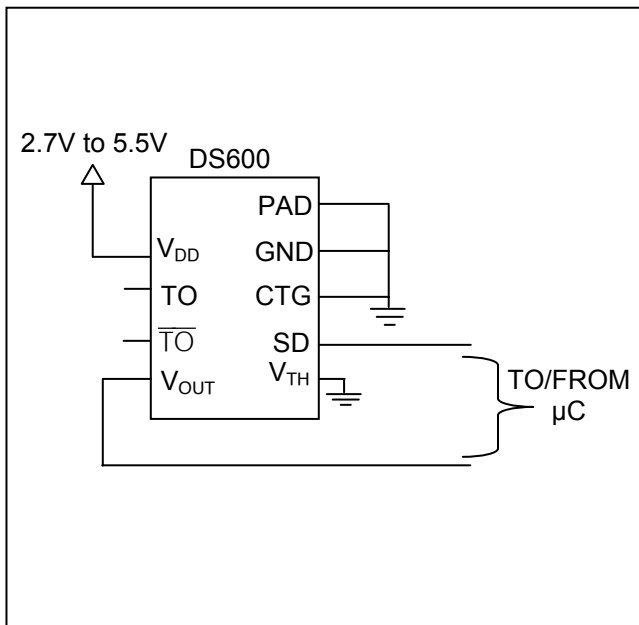
### GENERAL DESCRIPTION

The DS600 is a ±0.5°C accurate analog-output temperature sensor. This accuracy is valid over its entire operating voltage range of 2.7V to 5.5V and the wide temperature range of -20°C to +100°C. The DS600 can also act as a thermostat, with user-programmable trip points. A shutdown mode enables the DS600 to be placed in a low-power standby state. The DS600 is available in an 8-pin μSOP package.

### APPLICATIONS

Cold-Junction Thermocouple Compensation  
 Portable Medical Equipment  
 Thermally Sensitive Systems that Require a High-Accuracy Analog-Output Temperature Sensor

### TYPICAL OPERATING CIRCUIT



### FEATURES

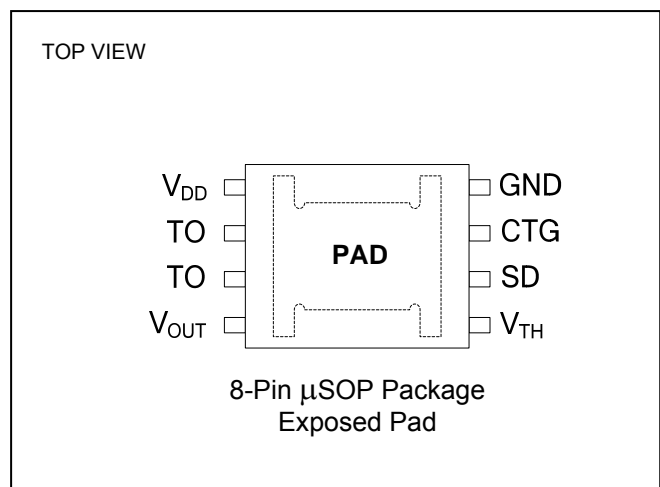
- ±0.5°C Accuracy (-20°C to +100°C)
- ±0.75°C Accuracy Over Entire Temperature Range of -40°C to +125°C
- Requires No External Components
- 6.45mV/°C Output Gain with 509mV Offset at 0°C
- 2.7V to 5.5V Supply Voltage Range
- User-Programmable Thermostat Function
- Shutdown Function Puts Device into a Low-Power Standby Mode
- Exposed Pad 8-Pin μSOP Package for Quick Thermal Response

### ORDERING INFORMATION

| PART        | TEMP RANGE      | PIN-PACKAGE                      |
|-------------|-----------------|----------------------------------|
| DS600U      | -40°C to +125°C | Exposed Pad 8 μSOP               |
| DS600U+     | -40°C to +125°C | Exposed Pad 8 μSOP               |
| DS600U/T&R  | -40°C to +125°C | Exposed Pad 8 μSOP Tape-and-Reel |
| DS600U+/T&R | -40°C to +125°C | Exposed Pad 8 μSOP Tape-and-Reel |

+ Denotes lead-free package.

### PIN CONFIGURATION



**Note:** Some revisions of this device may incorporate deviations from published specifications known as errata. Multiple revisions of any device may be simultaneously available through various sales channels. For information about device errata, click here: [www.maxim-ic.com/errata](http://www.maxim-ic.com/errata).

**ABSOLUTE MAXIMUM RATINGS**

|  |                                   |
|--|-----------------------------------|
| Voltage Range on Any Pin (except CTG) Relative to Ground | -0.5V to +6.0V                    |
| Voltage Range on CTG Relative to Ground                  | -0.5 to +0.5V                     |
| Operating Temperature Range                              | -40°C to +125°C                   |
| Storage Temperature Range                                | -55°C to +125°C                   |
| Soldering Temperature (10s)                              | +260°C (See IPC/JEDEC J-STD-020A) |
| Reflow Oven Temperature                                  | +220°C                            |

Stresses beyond those listed under "Absolute Maximum Ratings" may cause permanent damage to the device. These are stress ratings only, and functional operation of the device at these or any other conditions beyond those indicated in the operational sections of the specifications is not implied. Exposure to the absolute maximum rating conditions for extended periods may affect device reliability.

**DC ELECTRICAL CHARACTERISTICS**

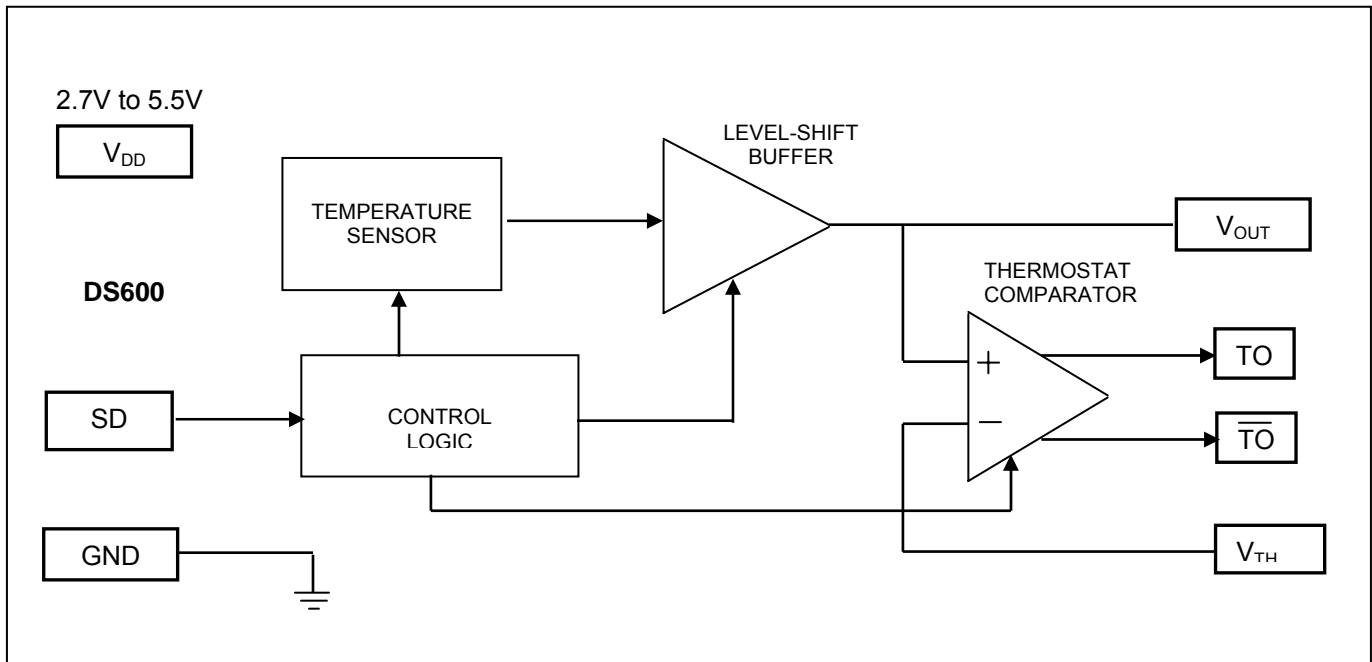
( $V_{CC} = 2.7V$  to  $5.5V$ ,  $T_A = -40^\circ C$  to  $+125^\circ C$ .)

| PARAMETER                                       | SYMBOL              | CONDITIONS       | MIN                 | TYP  | MAX                 | UNITS |
|---|---------------------|------------------|---------------------|------|---------------------|-------|
| Supply Voltage                                  | $V_{DD}$            |                  | 2.7                 |      | 5.5                 | V     |
| Thermometer Error                               | $T_{ERR}$           | -20°C to +100°C  |                     |      | ±0.5                | °C    |
|   |                     | -40°C to +125°C  |                     |      | ±0.75               |       |
| Output Gain                                     | $\Delta V/\Delta T$ |                  |                     | 6.45 |                     | mV/°C |
| $V_{OUT}$ DC Offset                             | $V_{OS}$            | 0°C              |                     | 509  |                     | mV    |
| Low-Level Input Voltage (SD)                    | $V_{IL}$            |                  | -0.5                |      | $0.3 \times V_{DD}$ | V     |
| High-Level Input Voltage (SD)                   | $V_{IH}$            |                  | $0.7 \times V_{DD}$ |      | $V_{DD} + 0.5$      | V     |
| SD Input Capacitance                            | $C_{SD}$            |                  |                     | 5    |                     | pF    |
| VTH Input Capacitance                           | $C_{VTH}$           |                  |                     | 5    |                     | pF    |
| Low-Level Output Voltage (TO, $\overline{TO}$ ) | $V_{OL}$            | 4mA sink current | 0                   |      | 0.4                 | V     |
| Supply Current                                  | $I_{DD}$            |                  |                     |      | 140                 | µA    |
| Shutdown Current                                | $I_{SD}$            |                  |                     |      | 2.5                 | µA    |
| Input Current ( $V_{TH}$ )                      | $I_{TH}$            |                  |                     | 0.01 | 1                   | µA    |
| Input Resistance ( $V_{TH}$ )                   | $R_{TH}$            |                  | 5                   |      |                     | MΩ    |
| Leakage Current (SD)                            | $I_L$               |                  |                     | 0.01 | 1                   | µA    |
| External Load Capacitance on $V_{OUT}$          | $C_{EL}$            |                  |                     |      | 50                  | pF    |
| $V_{OUT}$ Source Current                        | $I_{OSO}$           |                  | 10                  |      |                     | µA    |
| $V_{OUT}$ Sink Current                          | $I_{OSI}$           |                  | 10                  |      |                     | µA    |
| Output Impedance ( $V_{OUT}$ )                  | $R_{OUT}$           |                  |                     |      | 100                 | Ω     |
| Power-Up Time                                   | $t_{POWERUP}$       |                  |                     |      | 10                  | ms    |
| Nonlinearity                                    |                     |                  |                     |      | ±0.2                | °C    |
| Comparator Offset                               |                     |                  |                     |      | ±3                  | mV    |
| Comparator Response Time                        | $t_{COMP}$          |                  |                     |      | 20                  | ms    |

## PIN DESCRIPTION

| PIN | NAME            | FUNCTION  |
|-----|-----------------|---|
| 1   | $V_{DD}$        | <b>Supply Voltage.</b> 2.7V to 5.5V   |
| 2   | TO              | <b>Active-High Thermostat Output.</b> Open-drain output transitions from low to high when the output voltage exceeds $V_{TH}$ . In shutdown mode, (SD = 1), TO is low.  |
| 3   | $\overline{TO}$ | <b>Active-Low Thermostat Output.</b> Open-drain output transitions from high to low when the output voltage exceeds $V_{TH}$ . In shutdown mode, (SD = 1), $\overline{TO}$ is high.   |
| 4   | $V_{OUT}$       | <b>Temperature Output.</b> Outputs a voltage that is proportional to the die temperature in degrees centigrade. In shutdown mode, this pin goes high-Z.   |
| 5   | $V_{TH}$        | <b>Thermostat Trip Voltage.</b> User-selectable voltage that sets the thermostat trip-point temperature. TO and $\overline{TO}$ are asserted when $V_{OUT}$ crosses this voltage. (No on-chip hysteresis is present).                           |
| 6   | SD              | <b>Shutdown.</b> Power consumption and thermal sensor function are controlled through SD. This pin functions as an active-high input pin. Driving this pin high puts the device in a low-power state and discontinues thermal sensing.          |
| 7   | CTG             | Must be connected to GND.   |
| 8   | GND             | <b>Ground.</b>  |
|     | PAD             | <b>PAD.</b> Connect to GND or float. DO NOT CONNECT TO SUPPLY. The exposed pad is the best way to conduct temperature into the package. Connecting PAD to a ground plane can assist in properly measuring the temperature of the circuit board. |

Figure 1. Block Diagram

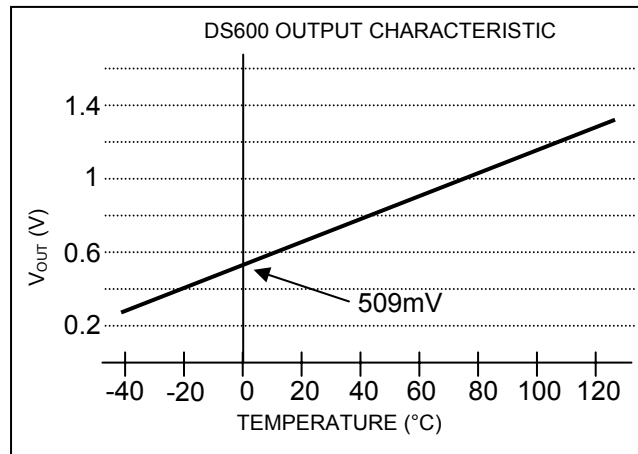


## TEMPERATURE MEASUREMENT

The DS600 analog temperature sensor measures its own temperature and provides these measurements to the user in the form of an output voltage,  $V_{OUT}$ , that is proportional to degrees centigrade. The output voltage characteristic is factory-calibrated for a typical output gain ( $\Delta V/\Delta T$ ) of  $+6.45\text{mV}/^{\circ}\text{C}$  and a DC offset ( $V_{OS}$ ) of  $509\text{mV}$ . Its operating temperature range is  $-40^{\circ}\text{C}$  to  $+125^{\circ}\text{C}$ , corresponding to an output voltage range of  $251\text{mV}$  to  $1315\text{mV}$ . ( $V_{OUT} = \text{Device Temperature } (^{\circ}\text{C}) \times \Delta V/\Delta T + V_{OS}$ ). The DS600 has  $\pm 0.5^{\circ}\text{C}$  accuracy over a  $-20^{\circ}\text{C}$  to  $+100^{\circ}\text{C}$  temperature range and over the full 2.7V to 5.5V voltage range. Because the output voltage is positive for the entire temperature range, there is no need for a negative supply.

Figure 2 shows the output voltage characteristic for the DS600.

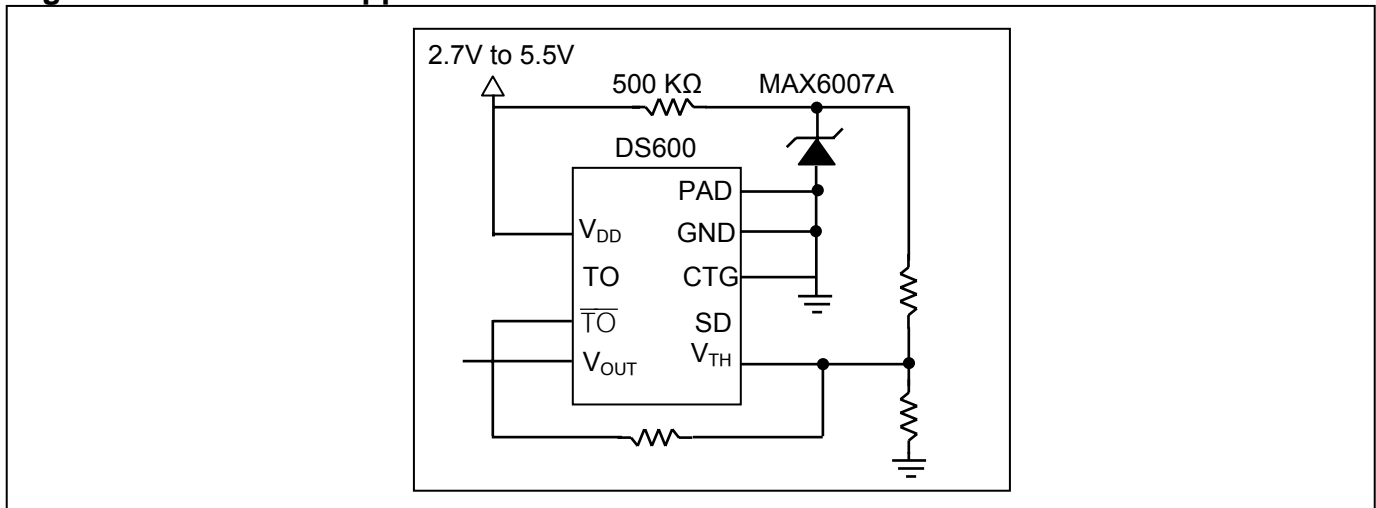
**Figure 2. Output Voltage Characteristic**



**THERMOSTAT OPERATION**

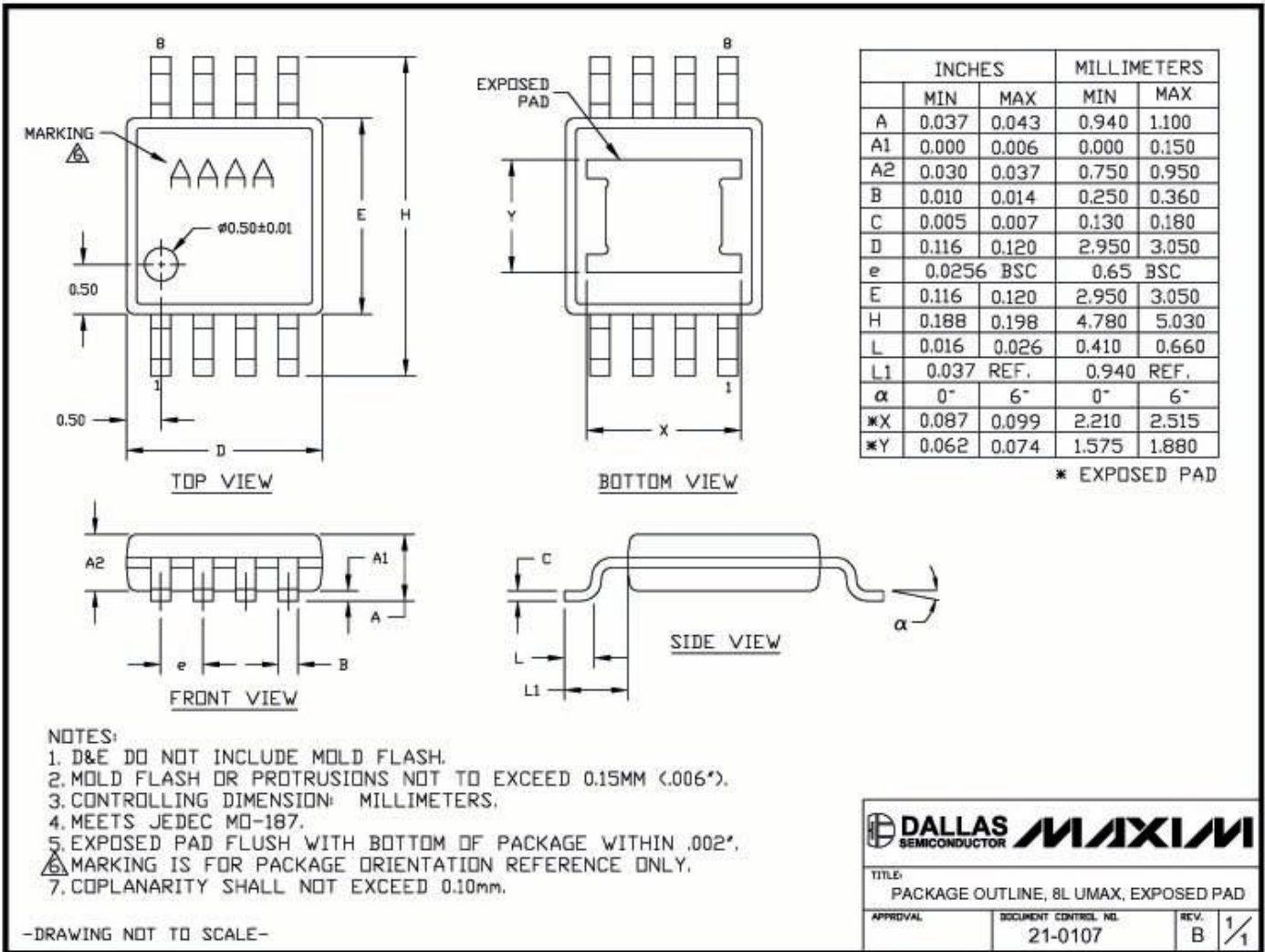
The DS600 can also be used as a thermostat with either an active-high (TO) or active-low ( $\overline{TO}$ ) output. To function as a thermostat, a precise voltage reference equal to the desired threshold must be applied to the  $V_{TH}$  pin. When the temperature with the equivalent voltage value is reached (voltage on  $V_{OUT}$  = voltage on  $V_{TH}$ ), thermostat outputs TO and  $\overline{TO}$  become active. Figure 3 shows an example thermostat application circuit.

**Figure 3. Thermostat Application Circuit**



## PACKAGE INFORMATION

For the latest package outline information, go to [www.maxim-ic.com/DallasPackInfo](http://www.maxim-ic.com/DallasPackInfo).



Maxim/Dallas Semiconductor cannot assume responsibility for use of any circuitry other than circuitry entirely embodied in a Maxim/Dallas Semiconductor product. No circuit patent licenses are implied. Maxim/Dallas Semiconductor reserves the right to change the circuitry and specifications without notice at any time.

**Maxim Integrated Products, 120 San Gabriel Drive, Sunnyvale, CA 94086 408-737-7600**

© 2007 Maxim Integrated Products • Printed USA

## Данный компонент на территории Российской Федерации

### Вы можете приобрести в компании MosChip.

Для оперативного оформления запроса Вам необходимо перейти по данной ссылке:

<http://moschip.ru/get-element>

Вы можете разместить у нас заказ для любого Вашего проекта, будь то серийное производство или разработка единичного прибора.

В нашем ассортименте представлены ведущие мировые производители активных и пассивных электронных компонентов.

Нашей специализацией является поставка электронной компонентной базы двойного назначения, продукции таких производителей как XILINX, Intel (ex.ALTERA), Vicor, Microchip, Texas Instruments, Analog Devices, Mini-Circuits, Amphenol, Glenair.

Сотрудничество с глобальными дистрибьюторами электронных компонентов, предоставляет возможность заказывать и получать с международных складов практически любой перечень компонентов в оптимальные для Вас сроки.

На всех этапах разработки и производства наши партнеры могут получить квалифицированную поддержку опытных инженеров.

Система менеджмента качества компании отвечает требованиям в соответствии с ГОСТ Р ИСО 9001, ГОСТ РВ 0015-002 и ЭС РД 009

### Офис по работе с юридическими лицами:

105318, г.Москва, ул.Щербаковская д.3, офис 1107, 1118, ДЦ «Щербаковский»

Телефон: +7 495 668-12-70 (многоканальный)

Факс: +7 495 668-12-70 (доб.304)

E-mail: [info@moschip.ru](mailto:info@moschip.ru)

Skype отдела продаж:

moschip.ru

moschip.ru\_4

moschip.ru\_6

moschip.ru\_9