

MA4E2200 Series



Surface Mount Zero Bias Schottky Detector Diodes

M/A-COM Products
Rev. V6

Features

- Designed for High Volume, Low Cost Detector Applications
- Available in Single, Series Pair and Unconnected Pair Configurations
- Small Profile Surface Mount Packages
- Tape and Reel Deliverable
- Lead Free (RoHS Compliant) Equivalents Available With 260 Deg. C Reflow Capability

Description and Applications

The MA4E2200 series are Silicon zero bias P-type detector diodes assembled in low cost surface mount plastic packages. They are designed for usage in a wide variety of detector applications.

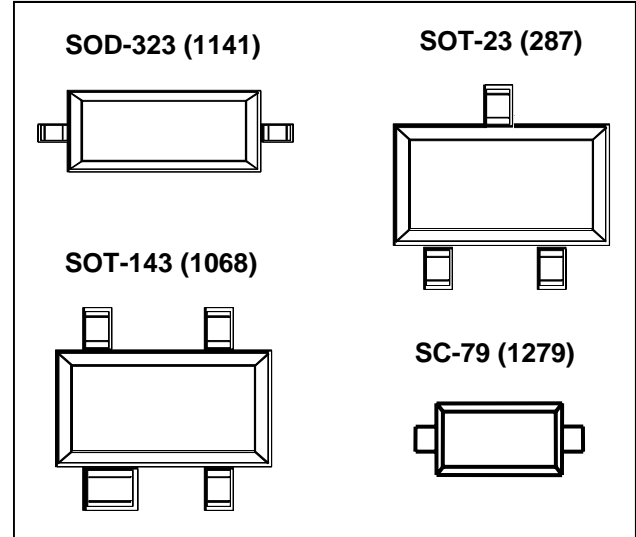
The MA4E2200 series of zero bias detector diodes are available in the SOT-23 (case style 287) in series pair configurations, SOD-323 (case style 1141), SC-79 (1279) in a single configuration, and the SOT-143 (case style 1068) in a reverse unconnected pair configuration.

The part number consists of the base number MA4E2200, followed by the wiring configuration (A, B, D, E), the package style (287, 1068, 1141) and a "T" for tape and reel. The SC-79 part number is MADS-002200-12790T.

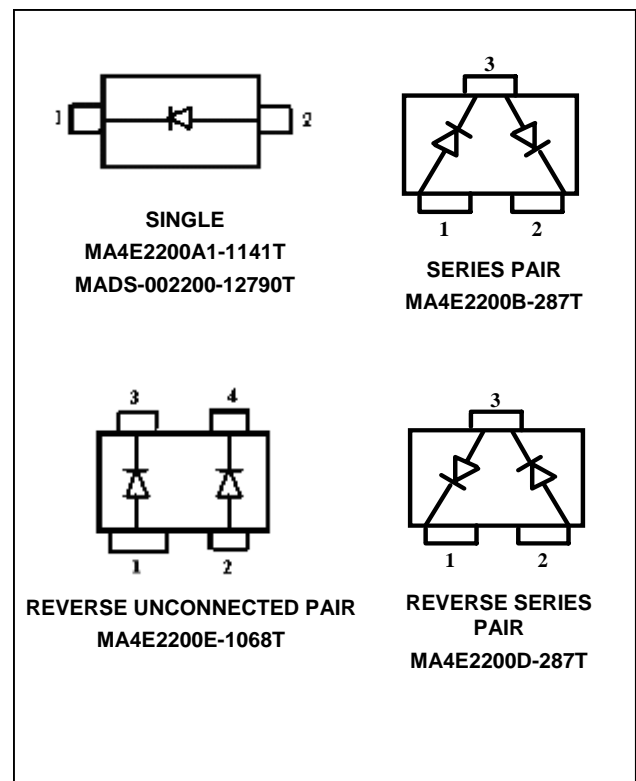
These parts are offered with Sn/Pb plating, as well as with 100 % matte Sn plating on the RoHs compliant part numbers.

The small diode package size and moderate parasitics make these parts attractive for Low Leakage Limiters and RF Temperature Compensated Envelope Detectors for RF ID Tags Applications up to 4 GHz.

Package Outlines (Topviews)



Configurations (Topviews)



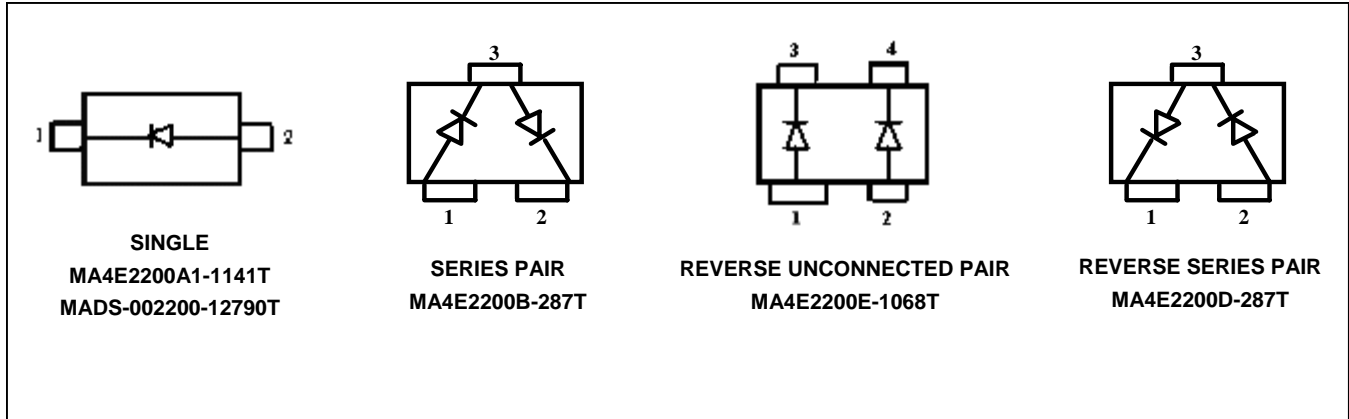
MA4E2200 Series



Surface Mount Zero Bias Schottky Detector Diodes

M/A-COM Products
Rev. V6

Configurations (Top View)



Standard Part Numbers and RoHS Equivalents

Standard Part Number	RoHS Compliant Part Number	Package Style
N/A	MA4E2200A1-1141T	SOD-323
MA4E2200B-287T	MA4E2200B1-287T	SOT-23
MA4E2200D-287T	MA4E2200D1-287T	SOT-23
MA4E2200E-1068T	MA4E2200E1-1068T	SOT-143
N/A	MADS-002200-12790T	SC-79

ADVANCED: Data Sheets contain information regarding a product M/A-COM Technology Solutions is considering for development. Performance is based on target specifications, simulated results, and/or prototype measurements. Commitment to develop is not guaranteed.

PRELIMINARY: Data Sheets contain information regarding a product M/A-COM Technology Solutions has under development. Performance is based on engineering tests. Specifications are typical. Mechanical outline has been fixed. Engineering samples and/or test data may be available. Commitment to produce in volume is not guaranteed.

• **North America** Tel: 800.366.2266 • **Europe** Tel: +353.21.244.6400
• **India** Tel: +91.80.4155721 • **China** Tel: +86.21.2407.1588

Visit www.macomtech.com for additional data sheets and product information.

M/A-COM Technology Solutions Inc. and its affiliates reserve the right to make changes to the product(s) or information contained herein without notice.

MA4E2200 Series



Surface Mount Zero Bias Schottky Detector Diodes

M/A-COM Products
Rev. V6

Maximum Ratings @ +25 °C (Unless Otherwise Defined) ^{1,2}

Parameter	Unit	Maximum Ratings
Operating Temperature	°C	-65 to +125
Storage Temperature	°C	-65 to +150
Junction Temperature	°C	+175
RF Incident Power (CW)	mW	75
Reverse Voltage @ 25 °C	V	1.5 V
Electrostatic Discharge (ESD) Classification ³	-	Class 0

1. Operation above any one of the above parameters may cause permanent damage.
2. Please refer to Application Note M538 for Surface Mounting Instructions
3. Human Body Model

Electrical Specifications @ +25 °C

Parameter	Condition	Symbol	Specification
Reverse Voltage Breakdown	$I_R = 100 \mu\text{A}$	V_b	1.5 V min.
Forward Voltage	$I_F = 0.1 \text{ mA}$	V_F	60 – 120 mV max.
Forward Voltage	$I_F = 1 \text{ mA}$	V_F	150 - 220 mV max.
Total Capacitance	$V_R = 0.15 \text{ V}$	ΔC_T	.25 pF typical
Delta Forward Voltage	$I_F = 1 \text{ mA}$	V_F	10 mV max.
Video Resistance		R_V	7000 Ω typical

3

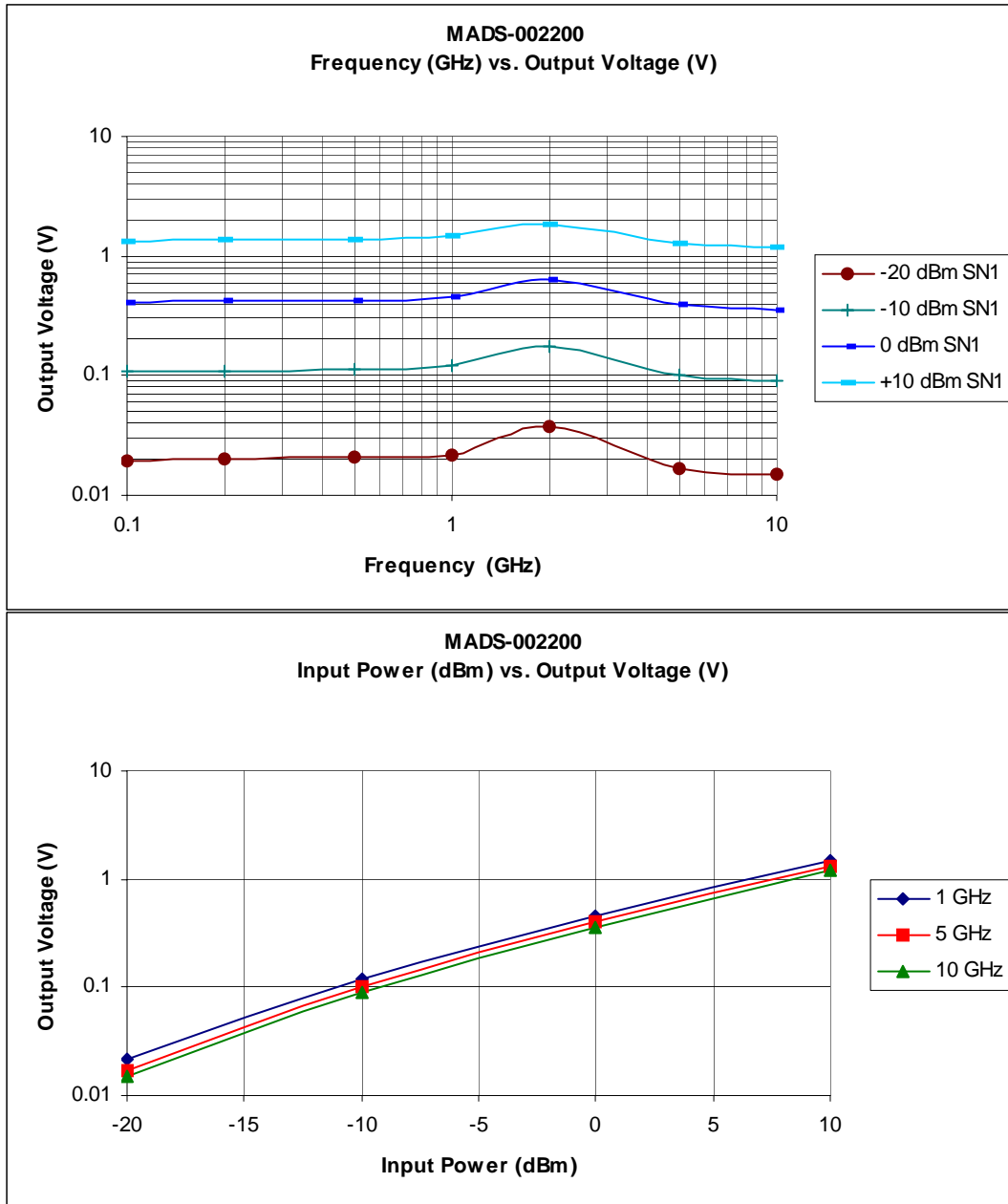
ADVANCED: Data Sheets contain information regarding a product M/A-COM Technology Solutions is considering for development. Performance is based on target specifications, simulated results, and/or prototype measurements. Commitment to develop is not guaranteed.

PRELIMINARY: Data Sheets contain information regarding a product M/A-COM Technology Solutions has under development. Performance is based on engineering tests. Specifications are typical. Mechanical outline has been fixed. Engineering samples and/or test data may be available. Commitment to produce in volume is not guaranteed.

• **North America** Tel: 800.366.2266 • **Europe** Tel: +353.21.244.6400
 • **India** Tel: +91.80.4155721 • **China** Tel: +86.21.2407.1588
 Visit www.macomtech.com for additional data sheets and product information.

M/A-COM Technology Solutions Inc. and its affiliates reserve the right to make changes to the product(s) or information contained herein without notice.

Applications Section



The MADS-002200 in an SC-79 Package Style was evaluated in a detector circuit in which the Schottky diode terminates a 50 Ohm transmission line on a duroid substrate. The SC-79 packaged diode was attached to the terminal of a 3.5mm connector and the output voltage was measured through a bias tee on a voltmeter. Matching was not attempted.

The voltage peak at 2 GHz is due to a resonance of the SC-79 package inductance with the diode junction capacitance. This condition results in higher RF voltage across the diode junction.

4

ADVANCED: Data Sheets contain information regarding a product M/A-COM Technology Solutions is considering for development. Performance is based on target specifications, simulated results, and/or prototype measurements. Commitment to develop is not guaranteed.

PRELIMINARY: Data Sheets contain information regarding a product M/A-COM Technology Solutions has under development. Performance is based on engineering tests. Specifications are typical. Mechanical outline has been fixed. Engineering samples and/or test data may be available. Commitment to produce in volume is not guaranteed.

• **North America** Tel: 800.366.2266 • **Europe** Tel: +353.21.244.6400
• **India** Tel: +91.80.4155721 • **China** Tel: +86.21.2407.1588
Visit www.macomtech.com for additional data sheets and product information.

M/A-COM Technology Solutions Inc. and its affiliates reserve the right to make changes to the product(s) or information contained herein without notice.

MA4E2200 Series

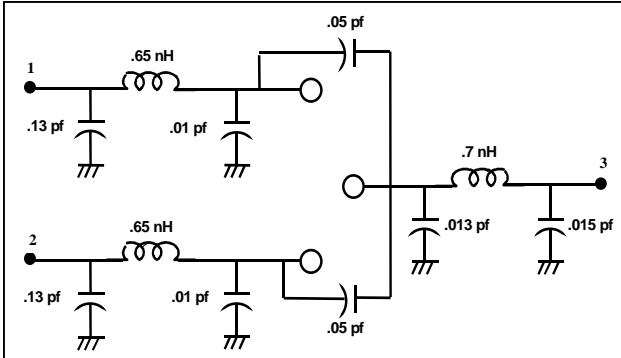


Surface Mount Zero Bias Schottky Detector Diodes

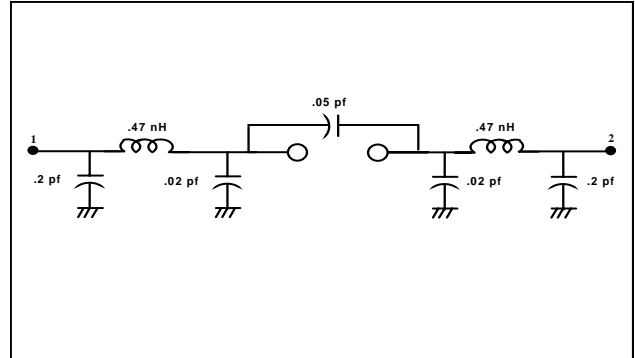
M/A-COM Products
Rev. V6

Equivalent Circuit Parasitics

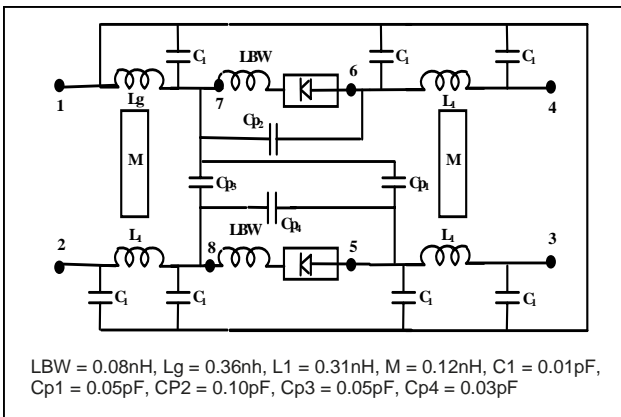
SOT-23



SOD-323



SOT-143



ADVANCED: Data Sheets contain information regarding a product M/A-COM Technology Solutions is considering for development. Performance is based on target specifications, simulated results, and/or prototype measurements. Commitment to develop is not guaranteed.

PRELIMINARY: Data Sheets contain information regarding a product M/A-COM Technology Solutions has under development. Performance is based on engineering tests. Specifications are typical. Mechanical outline has been fixed. Engineering samples and/or test data may be available. Commitment to produce in volume is not guaranteed.

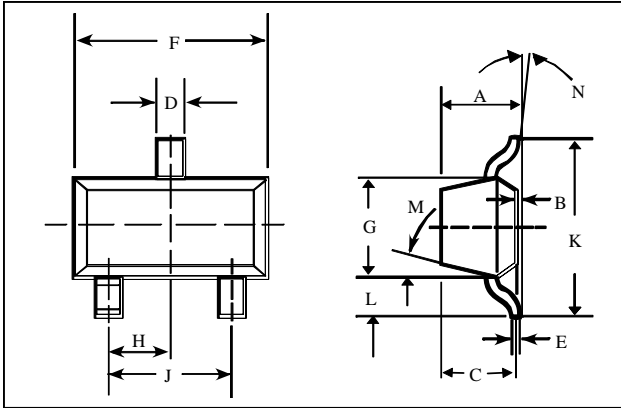
• **North America** Tel: 800.366.2266 • **Europe** Tel: +353.21.244.6400
• **India** Tel: +91.80.4155721 • **China** Tel: +86.21.2407.1588

Visit www.macomtech.com for additional data sheets and product information.

M/A-COM Technology Solutions Inc. and its affiliates reserve the right to make changes to the product(s) or information contained herein without notice.

Case Styles

SOT-23

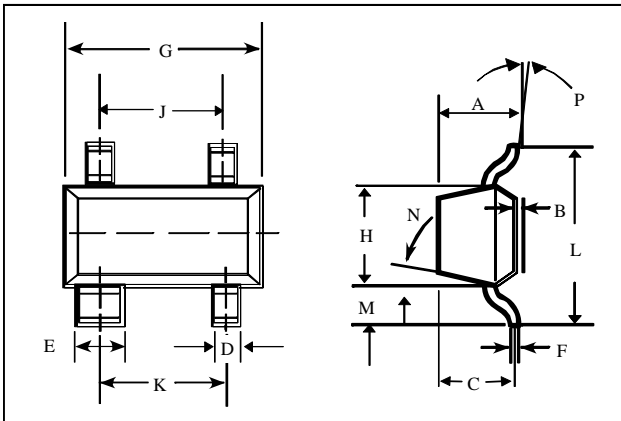


SOT-23 (Case Style 287)

DIM.	INCHES		MILLIMETERS	
	MIN.	MAX.	MIN.	MAX.
A	-	0.048	-	1.22
B	-	0.008	-	0.20
C	-	0.040	-	1.00
D	0.013	0.020	0.35	0.50
E	0.003	0.006	0.08	0.15
F	0.110	0.119	2.80	3.00
G	0.047	0.056	1.20	1.40
H	0.037 typical		0.95 typical	
J	0.075 typical		1.90 typical	
K	-	0.103	-	2.60
L	-	0.024	-	0.60
DIM.	GRADIENT			
M	10° max. ³			
N	2° ... 30°			

3. Applicable on all sides

SOT-143



SOT-143 (Case Style 1068)

DIM.	INCHES		MILLIMETERS	
	MIN.	MAX.	MIN.	MAX.
A	-	0.044	-	1.10
B	-	0.004	-	0.10
C	-	0.040	-	1.00
D	0.013	0.020	0.35	0.50
E	0.030	0.035	0.75	0.90
F	0.003	0.006	0.08	0.15
G	0.110	0.119	2.80	3.00
H	0.047	0.056	1.20	1.40
J	0.075 typical		1.90 typical	
K	0.075 typical		1.90 typical	
L	-	0.103	-	2.6
M	-	0.024	-	0.6
DIM.	GRADIENT			
N	10° max. ⁴			
P	2° ... 30°			

4. Applicable on all sides

MA4E2200 Series

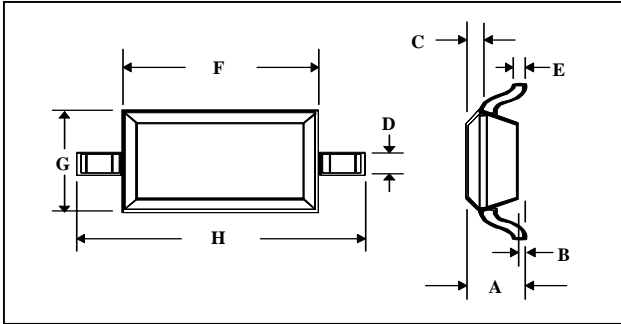


Surface Mount Zero Bias Schottky Detector Diodes

M/A-COM Products
Rev. V6

Case Styles (Cont'd)

SOD-323

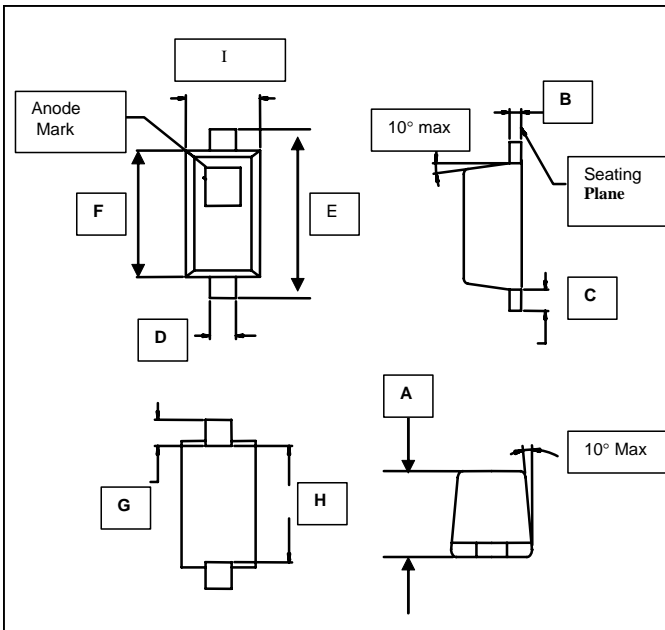


SOD-323 (Case Style 1141)

DIM.	INCHES		MILLIMETERS	
	MIN.	MAX.	MIN.	MAX.
A	–	0.043	–	1.1
B	–	0.004	–	0.1
C	–	0.008	–	0.2
D	0.010	0.016	0.25	0.4
E	0.003	0.006	0.08	0.15
F	0.063	0.075	1.6	1.9
G	0.045	0.057	1.15	1.45
H	0.091	0.106	2.3	2.7

SC-79

Top View



SC-79 (Case Style 1279)

DIM.	INCHES		MILLIMETERS	
	MIN.	MAX.	MIN.	MAX.
A	0.020	0.028	0.50	0.71
B	0.003	0.008	0.08	0.20
C	0.006	0.010	0.15	0.25
D	0.010	0.014	0.25	0.36
E	0.059	0.067	0.08	0.15
F	0.043	0.051	1.10	1.30
G	0.011	0.012	0.28	0.30
H	0.037	0.043	0.94	1.09
I	0.027	0.035	0.68	0.96

ADVANCED: Data Sheets contain information regarding a product M/A-COM Technology Solutions is considering for development. Performance is based on target specifications, simulated results, and/or prototype measurements. Commitment to develop is not guaranteed.

PRELIMINARY: Data Sheets contain information regarding a product M/A-COM Technology Solutions has under development. Performance is based on engineering tests. Specifications are typical. Mechanical outline has been fixed. Engineering samples and/or test data may be available. Commitment to produce in volume is not guaranteed.

• **North America** Tel: 800.366.2266 • **Europe** Tel: +353.21.244.6400
• **India** Tel: +91.80.4155721 • **China** Tel: +86.21.2407.1588

Visit www.macomtech.com for additional data sheets and product information.

M/A-COM Technology Solutions Inc. and its affiliates reserve the right to make changes to the product(s) or information contained herein without notice.

Данный компонент на территории Российской Федерации

Вы можете приобрести в компании MosChip.

Для оперативного оформления запроса Вам необходимо перейти по данной ссылке:

<http://moschip.ru/get-element>

Вы можете разместить у нас заказ для любого Вашего проекта, будь то серийное производство или разработка единичного прибора.

В нашем ассортименте представлены ведущие мировые производители активных и пассивных электронных компонентов.

Нашей специализацией является поставка электронной компонентной базы двойного назначения, продукции таких производителей как XILINX, Intel (ex.ALTERA), Vicor, Microchip, Texas Instruments, Analog Devices, Mini-Circuits, Amphenol, Glenair.

Сотрудничество с глобальными дистрибьюторами электронных компонентов, предоставляет возможность заказывать и получать с международных складов практически любой перечень компонентов в оптимальные для Вас сроки.

На всех этапах разработки и производства наши партнеры могут получить квалифицированную поддержку опытных инженеров.

Система менеджмента качества компании отвечает требованиям в соответствии с ГОСТ Р ИСО 9001, ГОСТ РВ 0015-002 и ЭС РД 009

Офис по работе с юридическими лицами:

105318, г.Москва, ул.Щербаковская д.3, офис 1107, 1118, ДЦ «Щербаковский»

Телефон: +7 495 668-12-70 (многоканальный)

Факс: +7 495 668-12-70 (доб.304)

E-mail: info@moschip.ru

Skype отдела продаж:

moschip.ru

moschip.ru_4

moschip.ru_6

moschip.ru_9