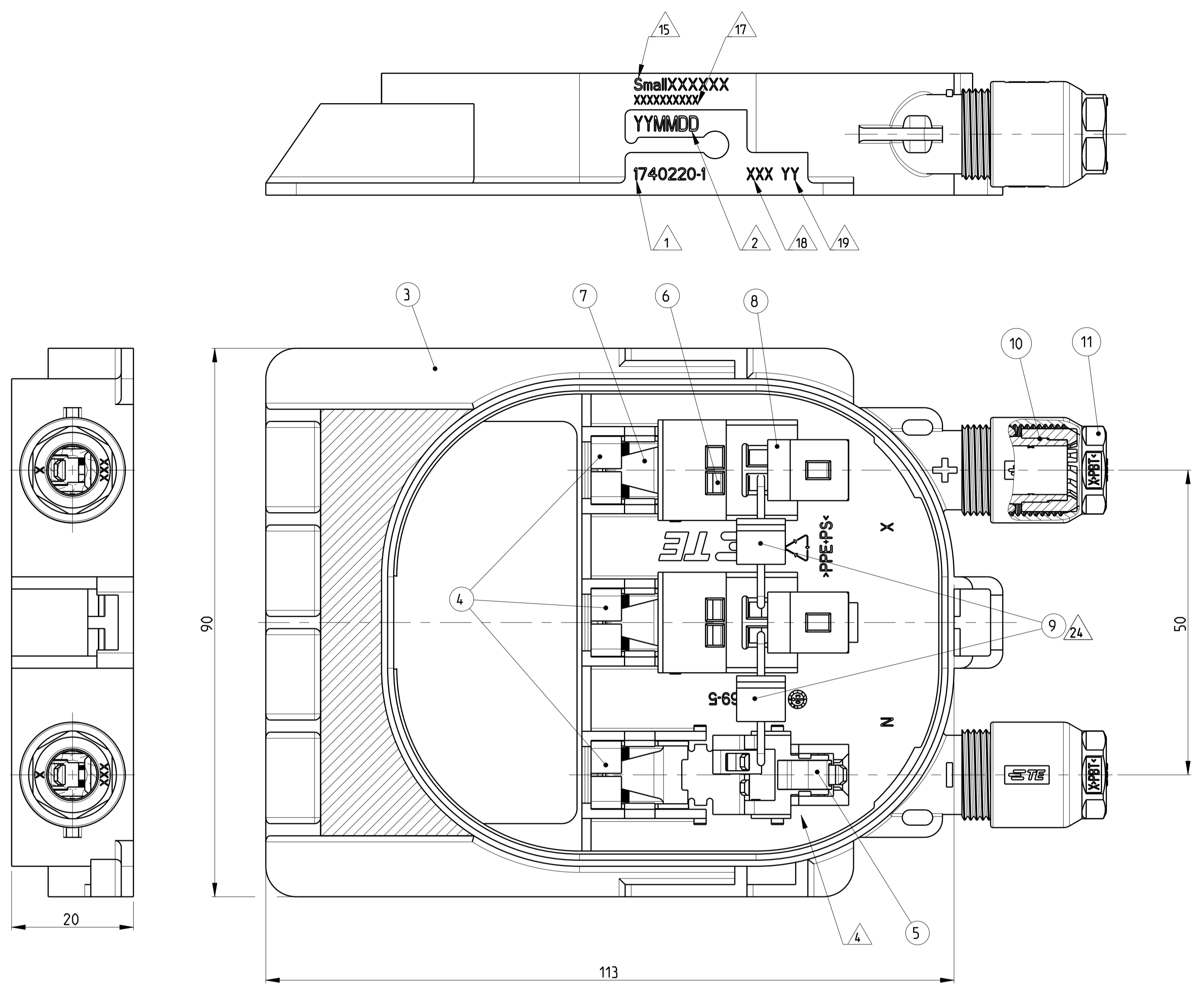


LOC	DIST	REV	DATE	APPV	REVISIONS
A1	-	F1	08APR2011	ER	BOX PRINTING REWORKED PER PCN E-11-007171
		G1	26SEP2011	ER	ALTERNATIVE DIODES ADDED (PCN E-11-019593)
		G2	17JAN2012	VP	PN 1740220-6 CHANGE TO OBSOLETE
		H1	24FEB2014	KR	MEMBRANE VENTS MOVED TO BOX COVER



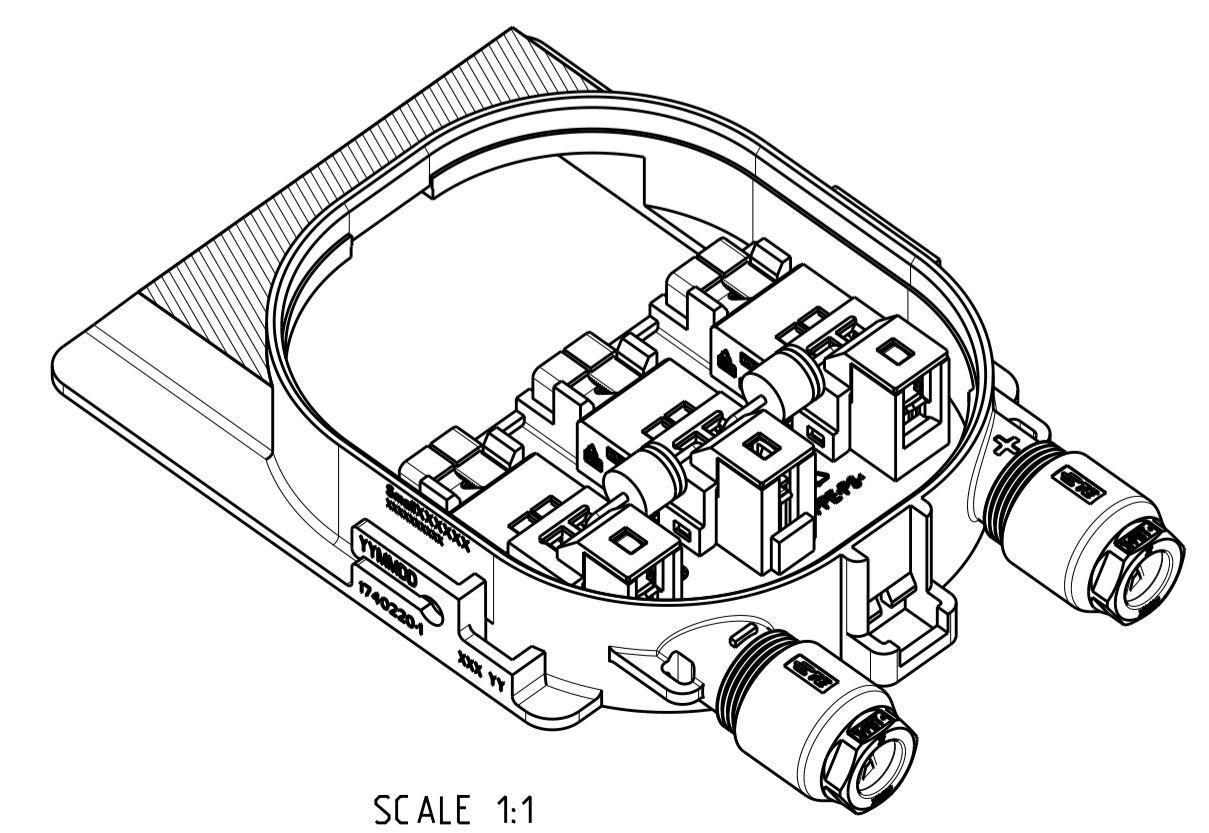
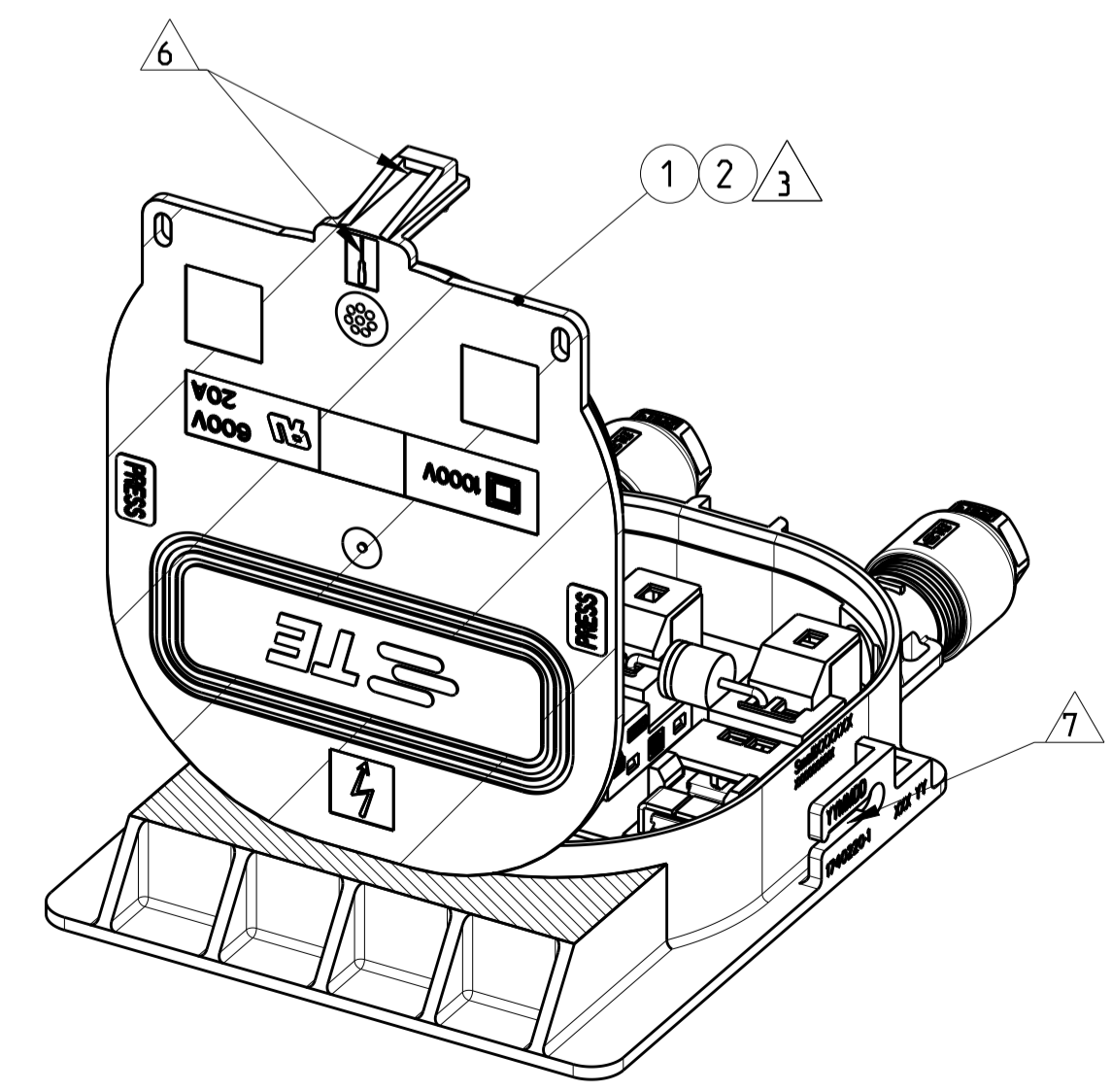
- △ PART NUMBER WITH PREFIX AND SUFFIX
- △ PRODUCTION DATE (YYYYDD)
- △ COVER ITEM NO. 1 AND O-RING ITEM NO. 2 NOT SHOWN. COVER NOT ASSEMBLED WITH LOWER PART. ENCLOSE LOOSELY
- △ SHROUDING COVER ITEM NO. 8 NOT SHOWN
- 5 FOR CABLES PER APPLICATION SPEC. 114-18488-1 WITH OUTER DIAMETER 5.5-7.8
- △ DIODE ACCORDING TO SPECIFICATION 108-94045-1
- △ MODEL CODE ACCORDING TE-SPEC. 404-74000-1
- 16 SEE TABLE FOR COMPLETE MODEL CODE BASED ON PN.
- △ CONSECUTIVE SERIAL NUMBER
- △ MANUFACTURING LOCATION CODE.
- △ TEST EQUIPMENT NUMBER
- △ I_{SCmax} ACC. IEC 61215 ED. 2.0. SECTION 10.18
- △ DIODE SL1110 ACC. SPEC. 108-94119 OR DIODE SL1110B ACC. SPEC. 108-2444 CAN BE ALTERNATIVELY USED.
- △ ONLY DIODES OF THE SAME TYPE RESP. DESIGNATION ARE PERMITTED FOR USE IN ONE AND THE SAME SOLAR MODULE BOX. ONLY SOLAR MODULE BOXES WITH THE SAME DIODES ARE PERMITTED TO PACK IN ONE AND THE SAME CORRUGATED SHIPPING BOX.
- △ MARK FOR DIODE TYPE: LEAVE BLANK FOR DIODE SL1010.
A FOR DIODE SL1110.
B FOR DIODE SL1110B.
- △ DIODE F1200D ACCORDING TO SPEC. 108-106119.

PART NUMBER	MODEL CODE	I _{SCmax}	MARK FOR DIODE TYPE
1740220-1	Small3GBA2E	6.5A/7.0A	
1740220-2	Small2GBA1E	6.5A/7.0A	
1740220-3	Small3GBAZZ	-	-
1740220-4	Small2GBAZZ	-	-
1740220-5	Small3GBA2I	10.5A	△

-1 AS SHOWN

MOUNTING INSTRUCTION FOR COVER ASSY:

1. MOUNT COVER ITEM NO. 1 AND 2 INTO THE LOWER PART ITEM NO. 3 AND CLOSE IT. (LATCH SNAP IN).
2. RE-OPEN: PUT IN MARKED OPENING △ SCREWDRIVER 3mm AND MOVE LATCH UNTIL LOCKING LATCH FREE THE COVER. OPEN COVER ITEM NO. 1 AND 2 AND PUT IN LATERAL RETAINING SLOT △.



SCALE 1:1

VIEW WITH ASSEMBLED COVER
SCALE 1:1

ITEM NO.	DESCRIPTION	SURFACE COLOUR	MATERIAL
1740220-5			
1740220-4			
1740220-3			
1740220-2			
1740220-1			
2	BYPASS DIODE TYPE: SL1010	△△△	-
-	BYPASS DIODE TYPE: F1200D	△	-
2	CABLE SCREW JOINT		BLACK PBT
2	PINCH RING SEAL INMOLDED. ASSY		BLACK PA66 / LSR
-	BYPASS DIODE TYPE: F1200D	△	-
3	SHROUDING COVER		BLACK PET
3	FOIL SPRING		PLAIN STAINLESS STEEL
6	TE SPRING CLAMP WITH ANTI OVERSTRESS		PLAIN STAINLESS STEEL
2	TE SPRING CLAMP WITH ANTI OVERSTRESS		PLAIN STAINLESS STEEL
3	CONTACT RAIL		TIN HOT DIPPED CuZn
1	SOLAR MODULE BOX. LOWER PART ASSY		-
1	O-RING	△	RED SILICONE
1	SOLAR MODULE BOX COVER. ASSY	△	BLACK PPE-PS

THIS DRAWING IS A CONTROLLED DOCUMENT.

DIMENSIONS: MASSENMETER: mm

TOLERANCES UNLESS OTHERWISE SPECIFIED: ALLE DIMENSIONEN

0 PLC ±0.5
 1 PLC ±
 2 PLC ±
 3 PLC ±
 4 PLC ±
 ANGLES/WINKEL ±
 TITEL/SCHWELFLECHEN/PANNE

MATERIAL: -

OWN: E. WERNER 29-JUN-04
 CHE: H. SCHERER 29-JUN-04
 APV: G. FELDMER 29-JUN-04

NAME: SOLAR MODULE BOX SMALL. ASSY

PRODUCT SPEC: -
 PRODUCT SPEC: 108-18955
 APPLICATION SPEC: -
 VERBODEN TOEGEFUIGEN: -
 VERBODEN TOEGEFUIGEN: 114-18488-1

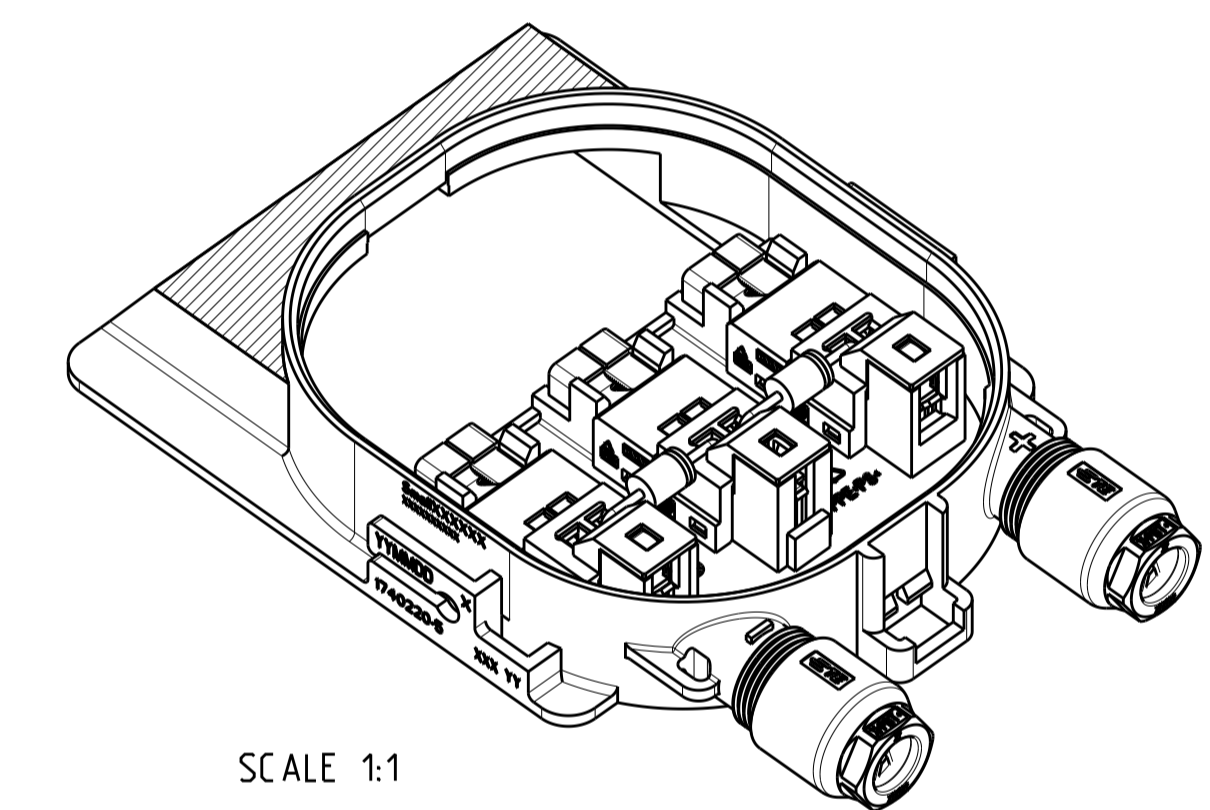
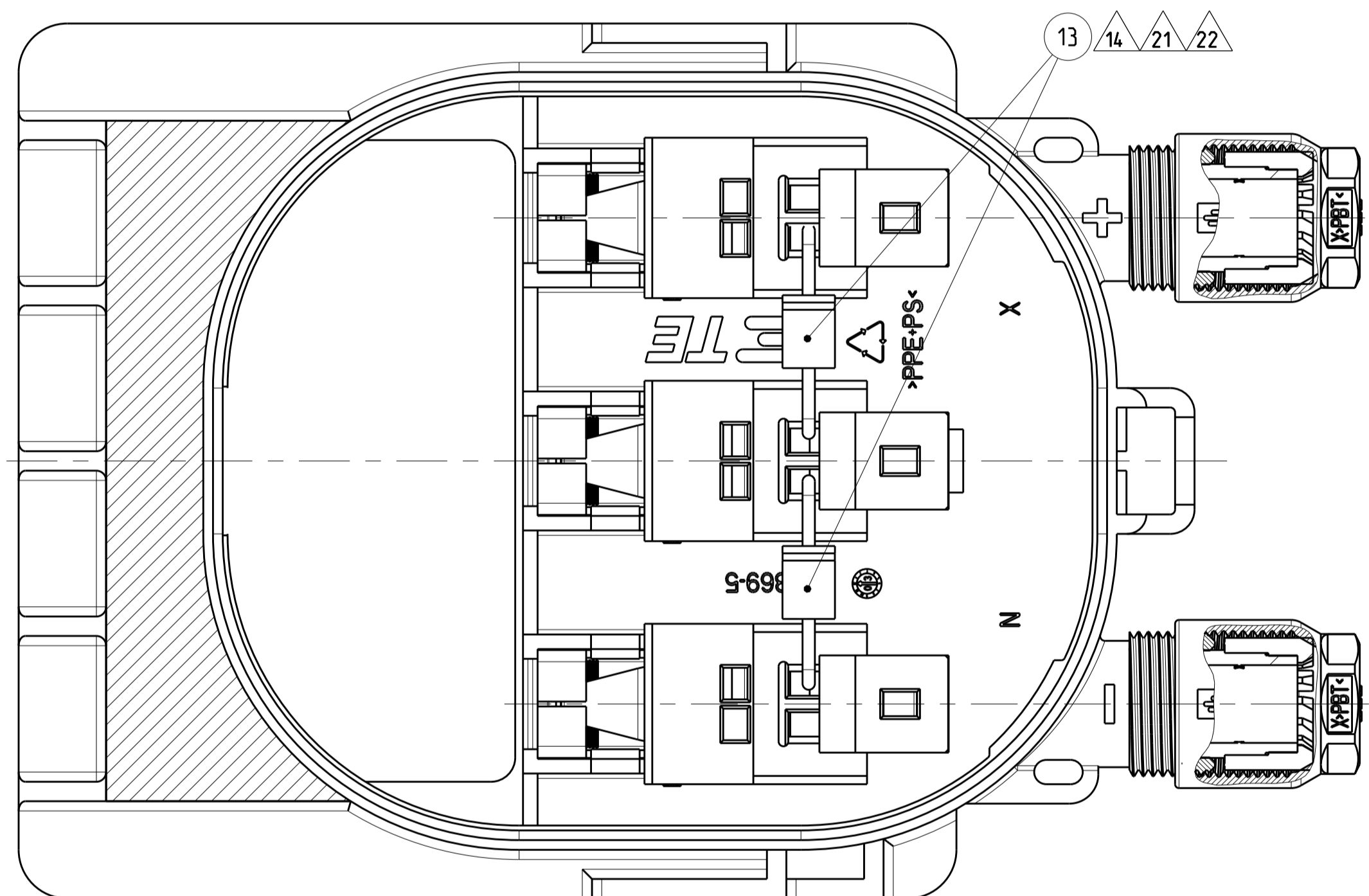
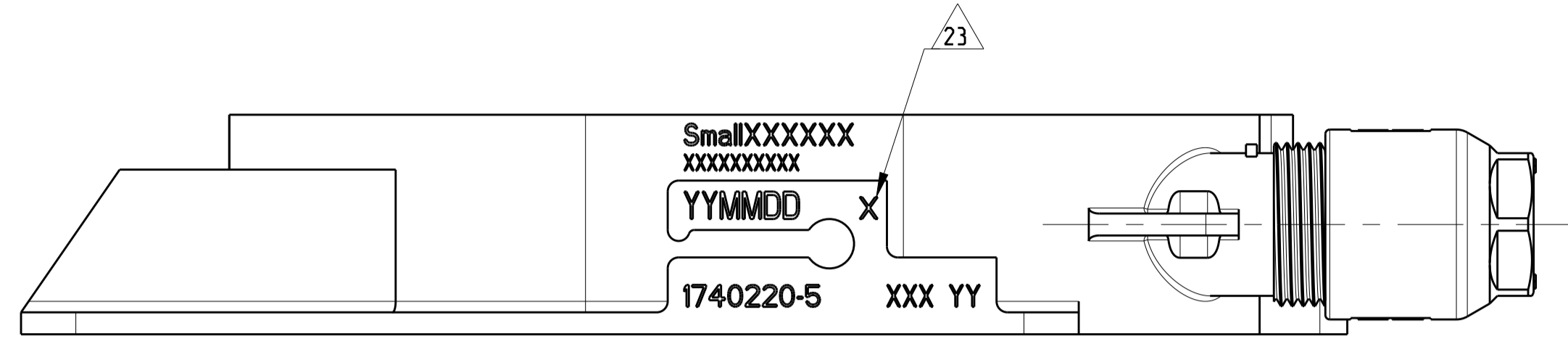
SIZE: A1
 CAGE CODE: 00779
 DRAWING NO.: 1740220

RESTRICTED TO: -

Customer Drawing /KUNDENZEICHNUNG SCALE: 2:1 SHEET: 1 OF: 4 REV: H1

THIS DRAWING IS UNPUBLISHED
 VERTRAULICHE UNVERÖFFENTLICHTE ZEICHNUNG
 RELEASED FOR PUBLICATION
 FÜR PUBLIK VERÖFFENTLICHUNG
 05-JUN-2007
 MATED WITH
 PASSED 20
 © COPYRIGHT 2007 BY TE CONNECTIVITY
 ALL RIGHTS RESERVED.
 ALLE RECHT VORBEHALTEN.

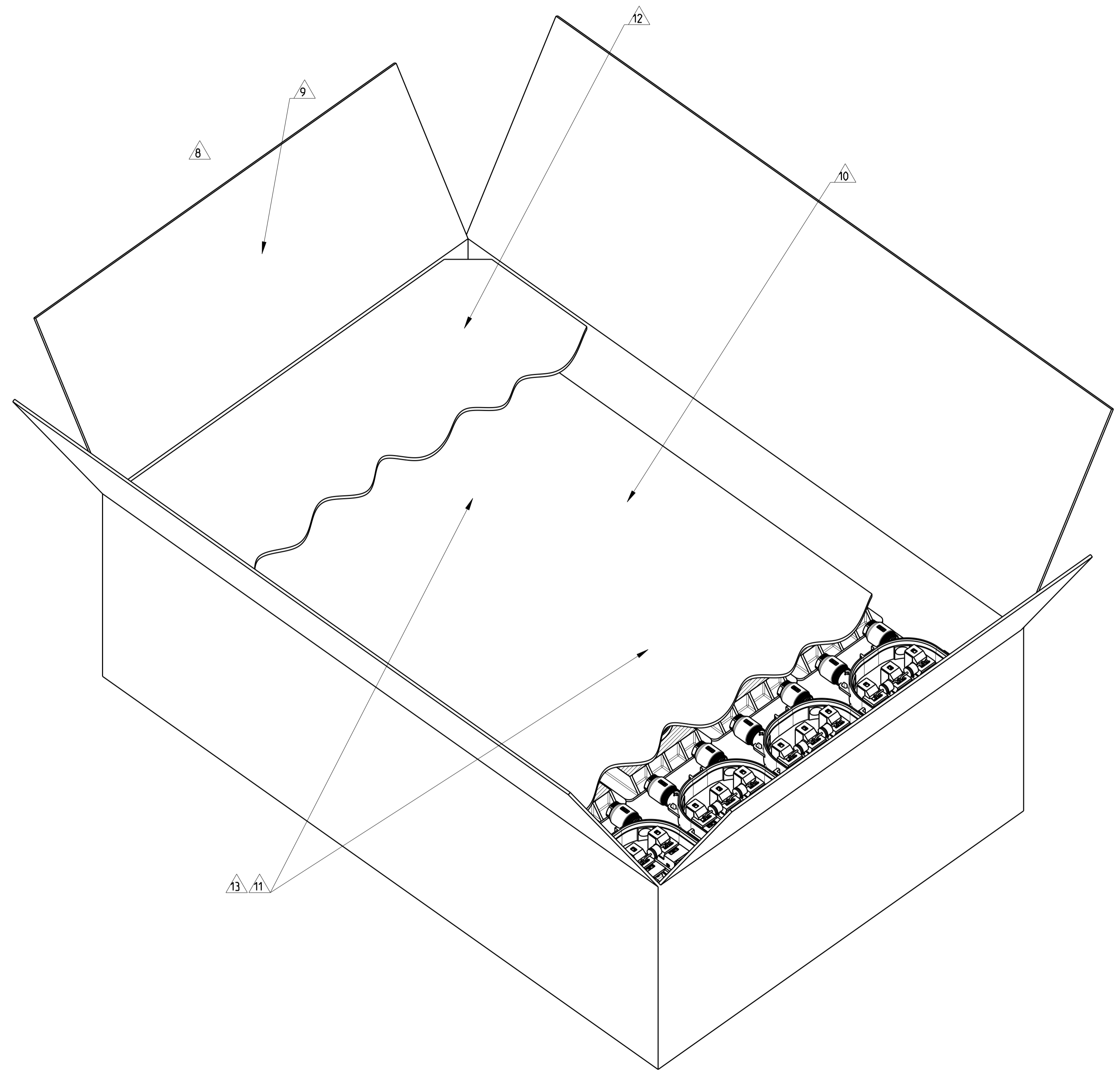
LOC	DIST	P	LTR	REVISIONS	ABÄNDERUNGEN	DATE	DWN	APVD
				DESCRIPTION	BESCHREIBUNG			
A1	-	-	-	SEE SHEET 1		-	-	-
				PROJECT NO. EGGM04044				



-5 AS SHOWN

THIS DRAWING IS A CONTROLLED DOCUMENT.		DWN E. WERNER 29-JUN-04	 TE Connectivity	NAME SOLAR MODULE BOX SMALL, ASSY
DIMENSIONS: MASSENMÄßE: mm		CHK H. SCHERER 29-JUN-04		
 TOLERANCES UNLESS OTHERWISE SPECIFIED: ALLE DIMENSIONEN		APVD G. FELDMEIER 29-JUN-04	PRODUCT SPEC 108-18955	SIZE A1
 0 PLC ±0.5 1 PLC ± 2 PLC ± 3 PLC ± 4 PLC ± ANGLES/WINKEL ° IN SWIVELFLÄCHE/PUNKT		APPLICATION SPEC VERÄNDERUNGSSPEZ. 114-18488-1	REVISIONS NO. 108-18955	RESTRICTED TO NUR FÜR
MATERIAL -		WEIGHT GEWICHT -	Customer Drawing	DRAWING NO. 1740220 SCALE MASSSTAB 2:1 SHEET BLATT 3 OF 4 REV. H1

LOC	DIST	P	LTR	REVISIONS	DATE	DWN	APVD
				ÄNDERUNGEN			
				DESCRIPTION			
				BESCHREIBUNG			
A1	-	-	-	SEE SHEET 1	-	-	-
PROJECT NO. EGEMN0404							



PACKAGING: 80 PIECES SOLAR MODULE BOX SMALL, ASSY PACKAGED IN CORRUGATED SHIPPING BOX ⁸
 PER TE-SPEC. 107-18052.
 5 LAYERS OF 16 PIECES.
 USED CORRUGATED LAYER PAD FOR INTERLAYER.
 FIFTH LAYER SOLAR MODULE BOX SMALL, ASSY COVERED WITH CORRUGATED LAYER PAD ¹⁰.
 80 PIECES SOLAR MODULE BOX COVER ASSY'S ITEM NO. 1 OF 40 PIECES BULK PACKAGED
 IN ESD PLASTIC BAG ¹¹ PUT ON THE FIFTH LAYER CORRUGATED LAYER PAD ¹⁰.
 ON TOP USED AS COVER CORRUGATED LAYER PAD ¹².

PACKAGING UNIT: 80 PIECES
STANDARD PACKAGING QUANTITY: 80 PIECES

¹³ SOLAR MODULE BOX COVER ASSY'S ITEM NO. 1 PACKAGED IN ESD PLASTIC BAG NOT SHOWN.

THIS DRAWING IS A CONTROLLED DOCUMENT.		DWN E. WERNER 29-JUN-04	TE Connectivity	
DIMENSIONS: MASSENMÄßE: MM		CHK H. SCHERER 29-JUN-04		
TOLERANCES UNLESS OTHERWISE SPECIFIED: ALLE DIMENSIONEN 0 PLC ±0.5 1 PLC ± 2 PLC ± 3 PLC ± 4 PLC ± ANGLES/WINKEL ± FINISH/OBERFLÄCHE/FINIS		APVD G. FELDMEIER 29-JUN-04	NAME SOLAR MODULE BOX SMALL, ASSY	
		PRODUCT SPEC 108-18955	SIZE A1	
MATERIAL -		APPLICATION SPEC VERANLEIHMUNGSSPEZ 114-18408-1	CAGE CODE 00779	
		WEIGHT GEWICHT -	DRAWING NO. ZEICHNUNGS-NR. 1740220	
		Customer Drawing	RESTRICTED TO NUR FÜR -	
			SCALE MAßSTAB 2:1	
			SHEET BLATT 4	
			OF VON 4	
			REV H1	

Данный компонент на территории Российской Федерации

Вы можете приобрести в компании MosChip.

Для оперативного оформления запроса Вам необходимо перейти по данной ссылке:

<http://moschip.ru/get-element>

Вы можете разместить у нас заказ для любого Вашего проекта, будь то серийное производство или разработка единичного прибора.

В нашем ассортименте представлены ведущие мировые производители активных и пассивных электронных компонентов.

Нашей специализацией является поставка электронной компонентной базы двойного назначения, продукции таких производителей как XILINX, Intel (ex.ALTERA), Vicor, Microchip, Texas Instruments, Analog Devices, Mini-Circuits, Amphenol, Glenair.

Сотрудничество с глобальными дистрибьюторами электронных компонентов, предоставляет возможность заказывать и получать с международных складов практически любой перечень компонентов в оптимальные для Вас сроки.

На всех этапах разработки и производства наши партнеры могут получить квалифицированную поддержку опытных инженеров.

Система менеджмента качества компании отвечает требованиям в соответствии с ГОСТ Р ИСО 9001, ГОСТ РВ 0015-002 и ЭС РД 009

Офис по работе с юридическими лицами:

105318, г.Москва, ул.Щербаковская д.3, офис 1107, 1118, ДЦ «Щербаковский»

Телефон: +7 495 668-12-70 (многоканальный)

Факс: +7 495 668-12-70 (доб.304)

E-mail: info@moschip.ru

Skype отдела продаж:

moschip.ru

moschip.ru_4

moschip.ru_6

moschip.ru_9