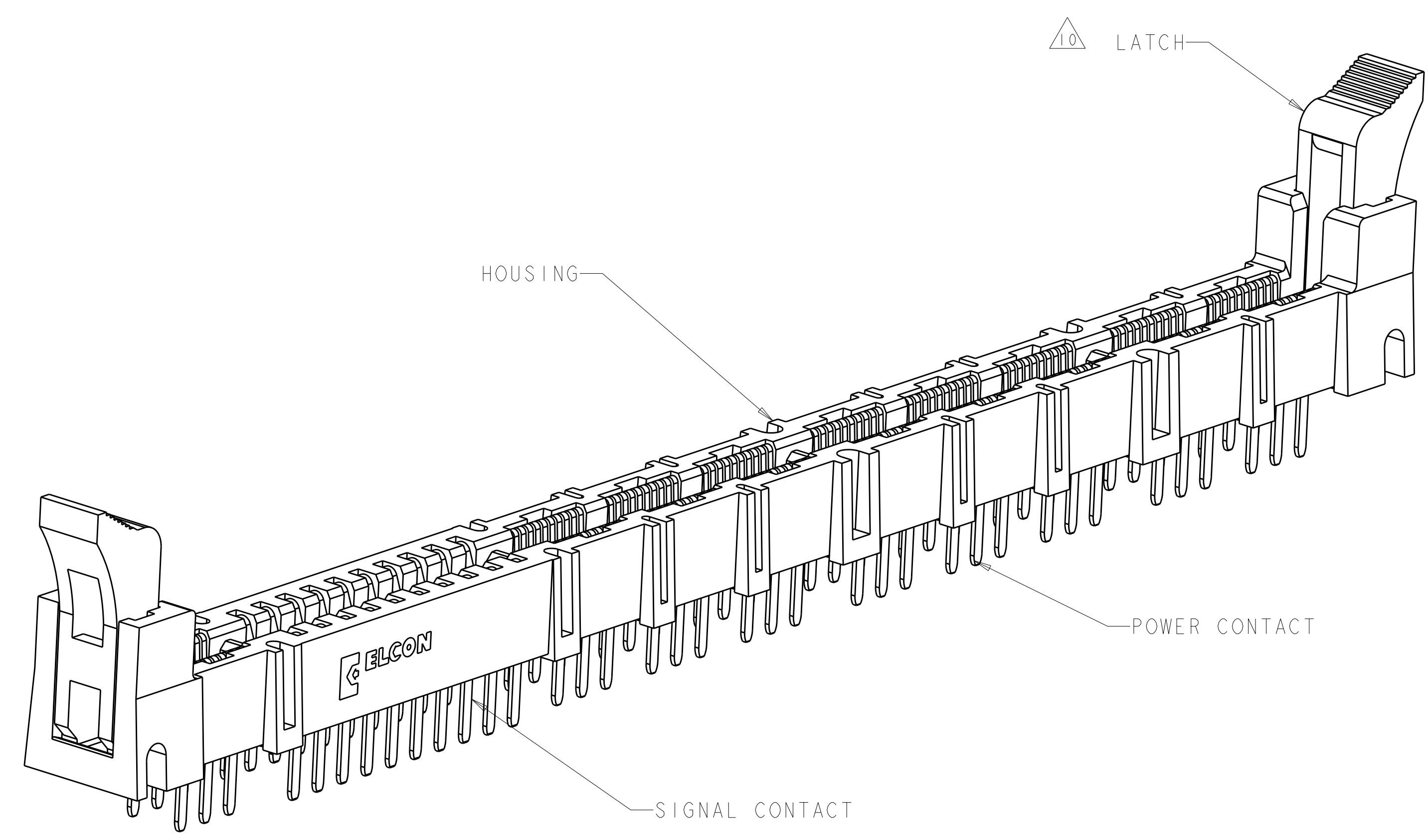


LOC	DIST	REVISIONS			
REV	DATE	DESCRIPTION	DATE	BY	APPD
B	08JAN2009	REV PER ECO-08-031660	08JAN2009	RG	PD
C	08JAN2010	REV PER ECO-09-027020	08JAN2010	RG	MS
CI	25FEB2010	REV PER ECO-10-003674	25FEB2010	RG	MS



1. PART NUMBER CHANGES AND OR DESIGN CHANGES AFFECTING ITEM INTERCHANGEABILITY REQUIRE PRIOR TYCO ELECTRONICS APPROVAL AND AUTHORIZATION BY REVISION TO THIS DRAWING.

2. MATERIAL:
 HOUSING: GLASS FILLED POLYESTER, COLOR-BLACK
 UL94V-0 FLAMMABILITY RATED
 LATCHES: THERMOPLASTIC, GLASS REINFORCED
 COLOR: BLACK, UL94V-0 FLAMMABILITY RATED
 CONTACTS: COPPER ALLOY

3. FINISH:
 CONTACTS:
 GOLD PLATE 0.76µm MIN THK. OVER
 NICKEL 1.27µm MIN THK.
 SOLDER TAILS - TIN PLATE 3.05µm MIN THK. OVER
 NICKEL 1.27µm MIN THK.

4. ITEMS PROVIDED TO THIS SPECIFICATION TO BE PERMANENTLY IDENTIFIED WITH PART NUMBER AND DATE CODE.

5. MAXIMUM BURR OF 0.013 ON CARD TAB AREA.

6. SET TRACE BACK FROM PC BOARD EDGE. NO SOLDERMASK ALLOWED BETWEEN PC BOARD EDGE AND TRACE.

7. CONNECTOR ACCEPTS 2.36±0.13 THICK PC BOARD.

8. KEEP OUT AREA FOR COMPONENTS ONLY.

9. FEATURE REQUIRED FOR USE WITH LATCH.

10. CAUTION:
 LATCHES ARE INTENDED FOR RETENTION OF PC BOARD TO CONNECTOR. DO NOT ATTEMPT TO FULLY EJECT PC BOARD FROM CONNECTOR WHILE DISENGAGING LATCHES, DAMAGE TO LATCHES AND OR CONNECTOR MAY OCCUR.

11. RECOMMENDED GOLD FINGER LENGTH FOR RELIABLE CONTACT.

12. FOR DESIGN OBJECTIVES SEE 108-2301.

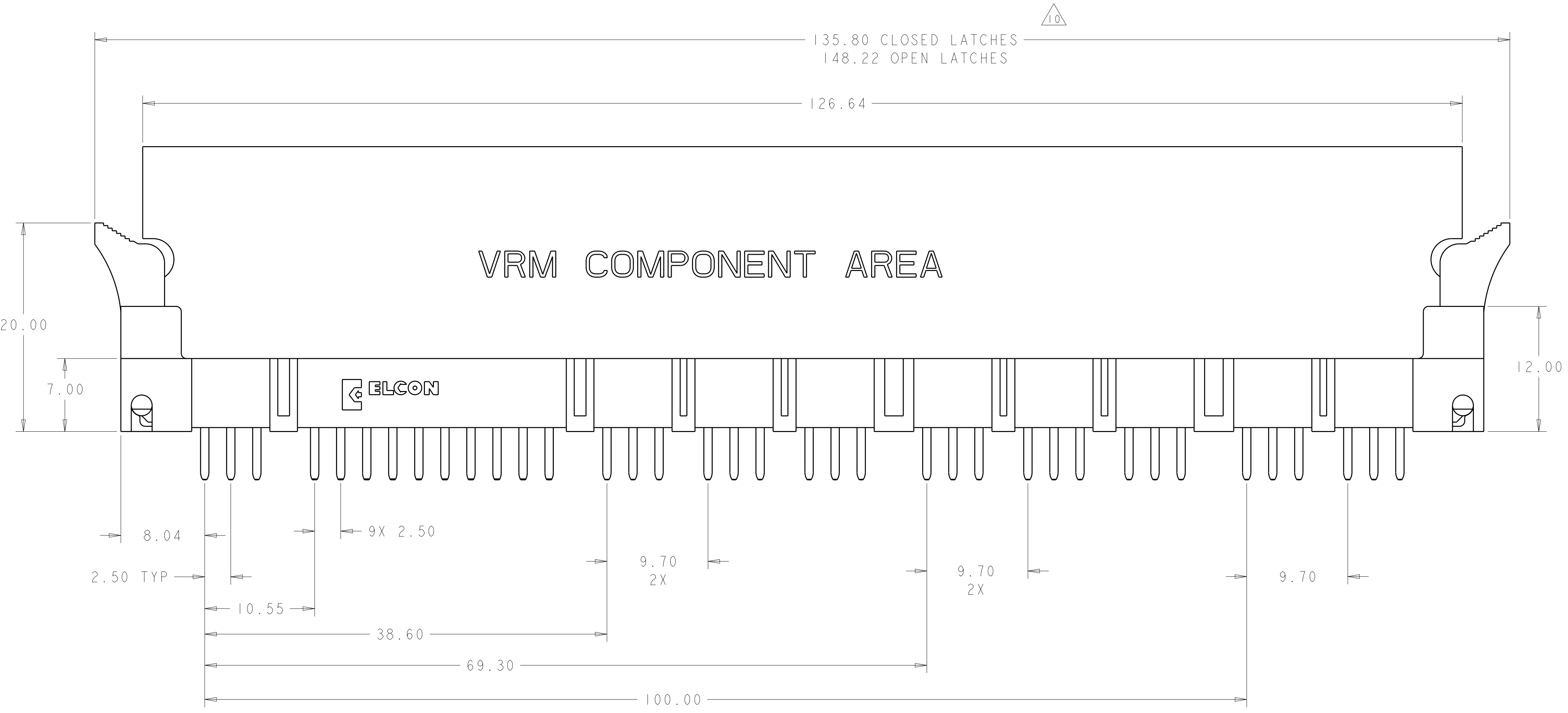
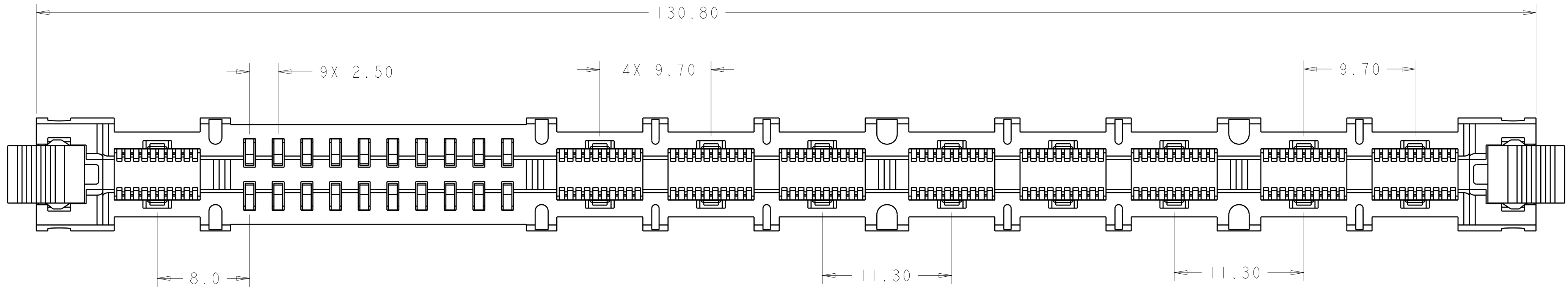
13. RECOMMENDED PRINTED CIRCUIT HOLE:
 FINISHED HOLE: $\phi 1.02 \pm 0.08$
 DRILLED HOLE: $\phi 1.15 \pm 0.013$
 COPPER PLATE: .025 MIN. (PER SURFACE)
 TIN PLATE: .008 MIN. (PER SURFACE)

14. DATUMS AND BASIC DIMENSIONS ESTABLISHED BY CUSTOMER.

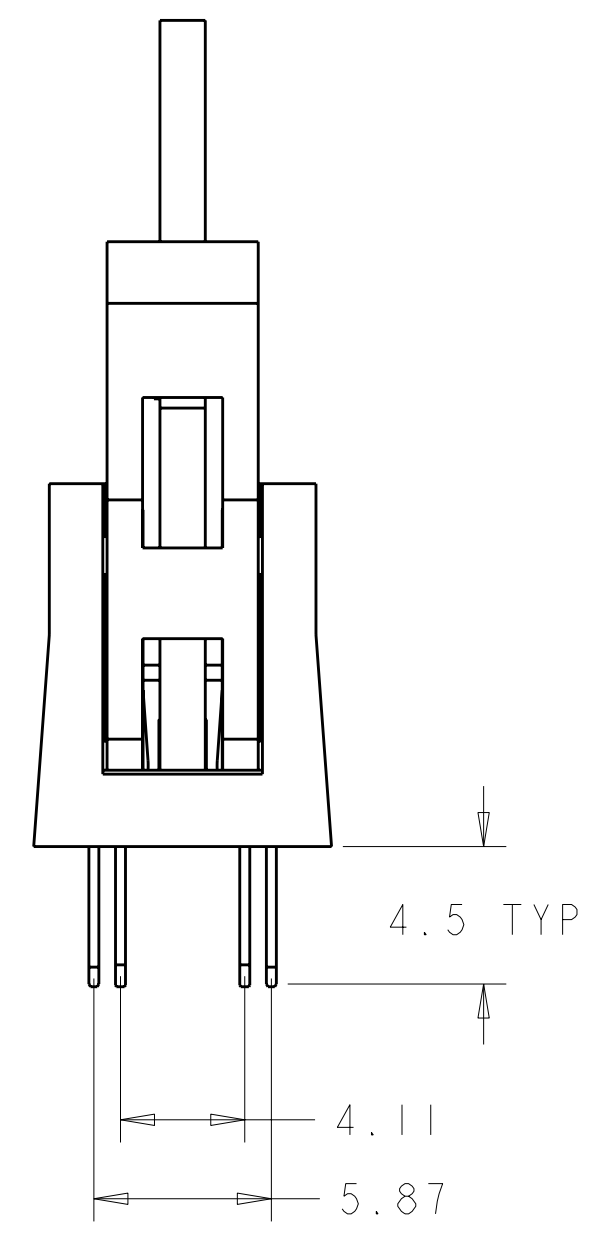
AS SHOWN	1766442-1
DESCRIPTION	PART NO.

<small>THIS DRAWING IS UNPUBLISHED. RELEASED FOR PUBLICATION BY TYCO ELECTRONICS CORPORATION, ALL RIGHTS RESERVED.</small>		DWN: HA/GRZYBOWSKI 08JAN2009 CHK: P.DAMATO 08JAN2009 APPD: CHAU/PERCHERAE 08JAN2009	Tyco Electronics Harrisburg, PA 17105-3608
DIMENSIONS: mm 	TOLERANCES UNLESS OTHERWISE SPECIFIED: 9 PLC ±.5 1 PLC ±.5 3 PLC ±.25 4 PLC ±.5 ANGLES ±.5 FINISH	NAME: SOCKET CONNECTOR ASSEMBLY W/LATCHES MC-P9S10 PRODUCT SPEC: APPLICATION SPEC: WEIGHT: CUSTOMER DRAWING	SIZE: A CAGE CODE: 100779 DRAWING NO: C=1766442 SCALE: 4:1 SHEET: 1 OF 4 REV: C

LOC	DIST	REV	DATE	BY	APPD
GP	00				

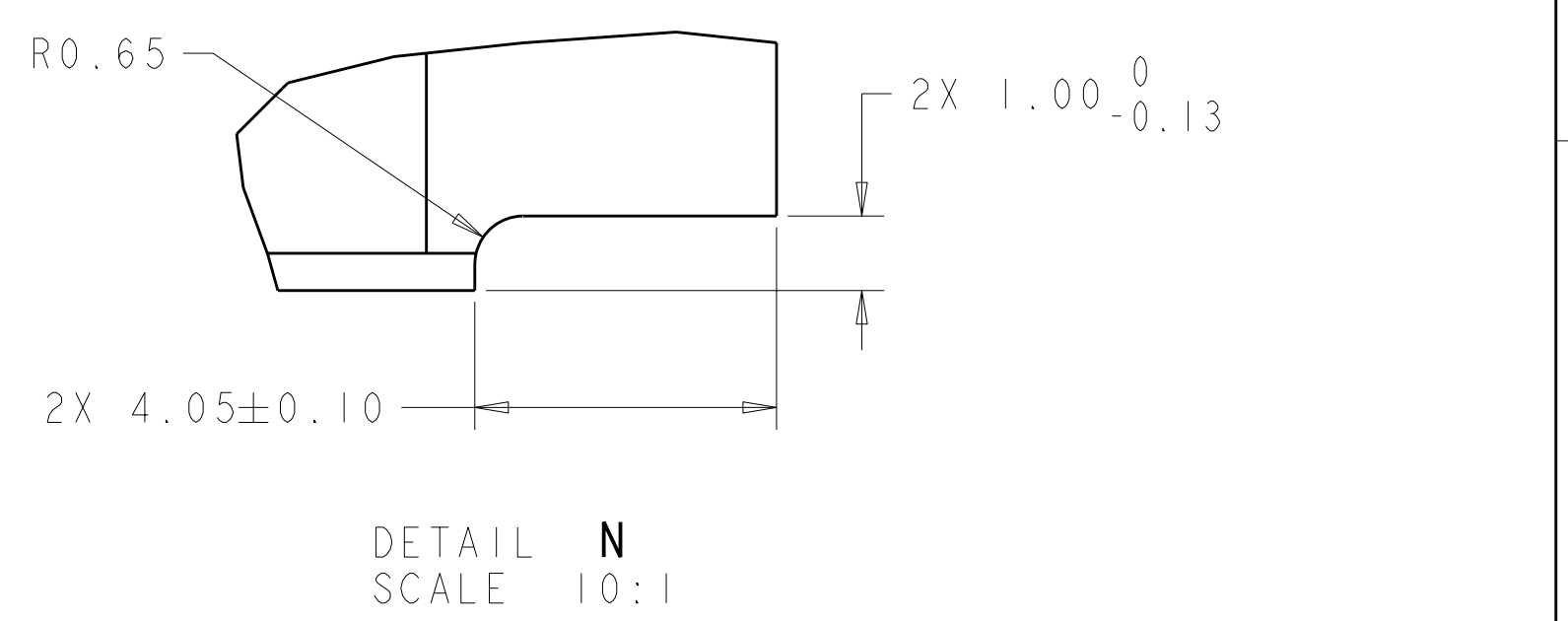
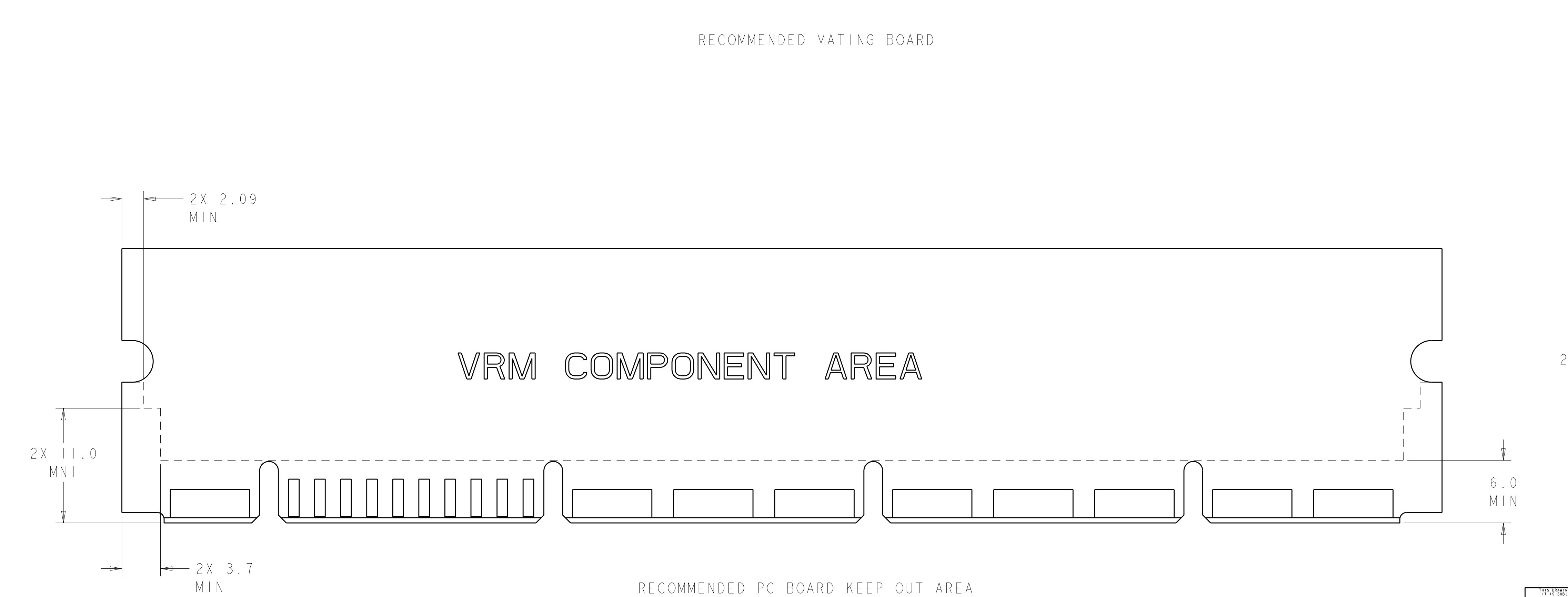
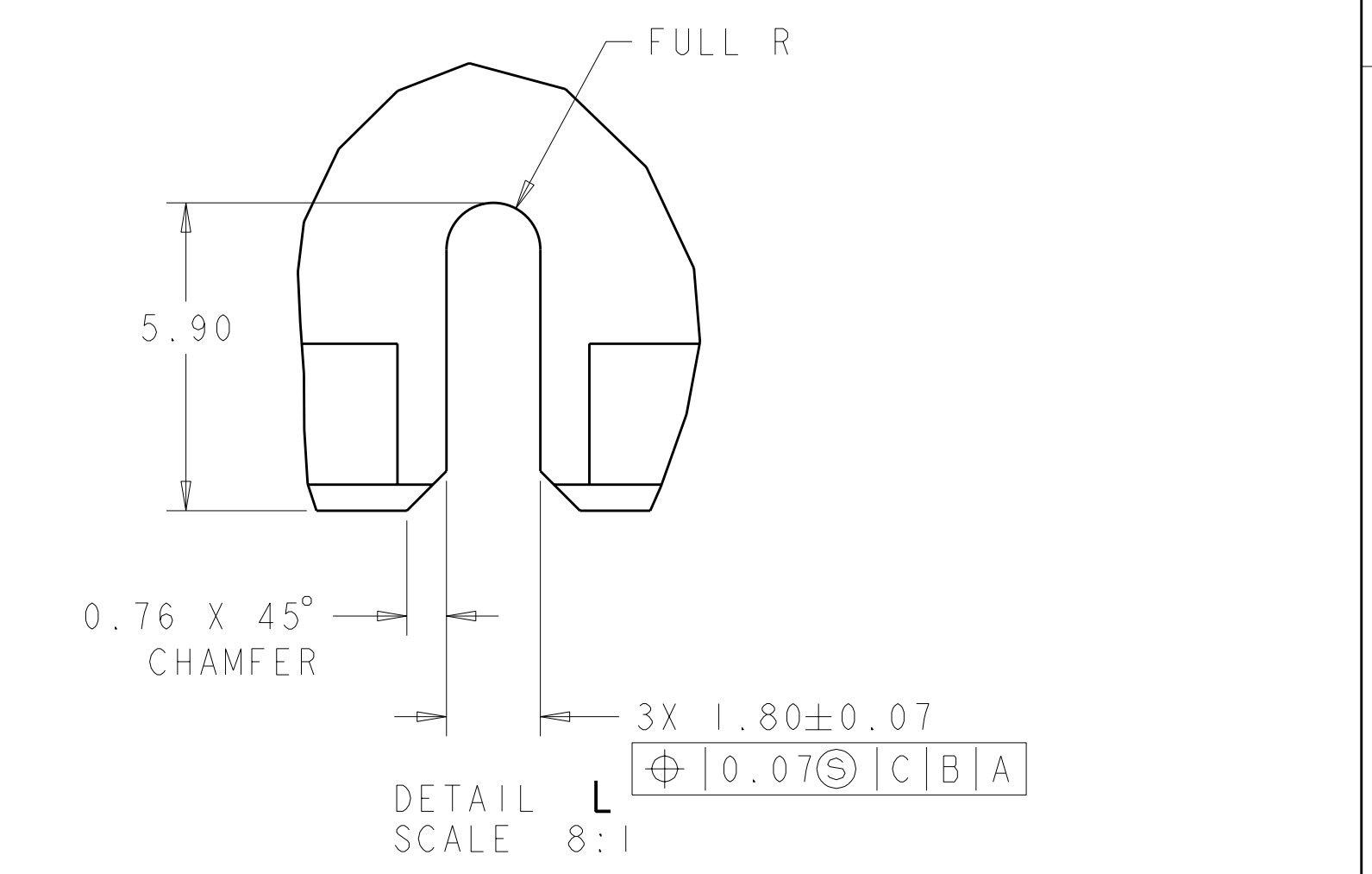
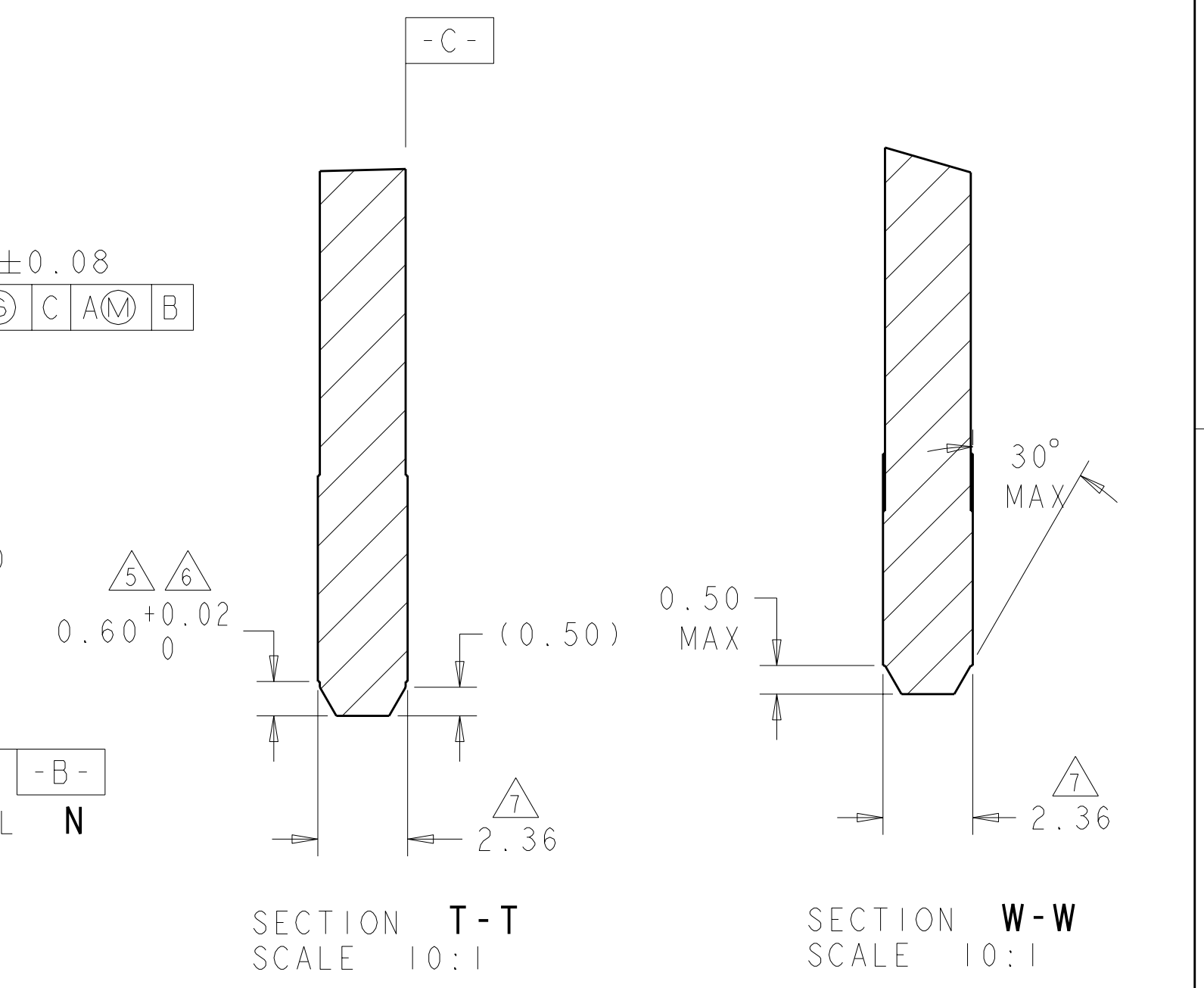
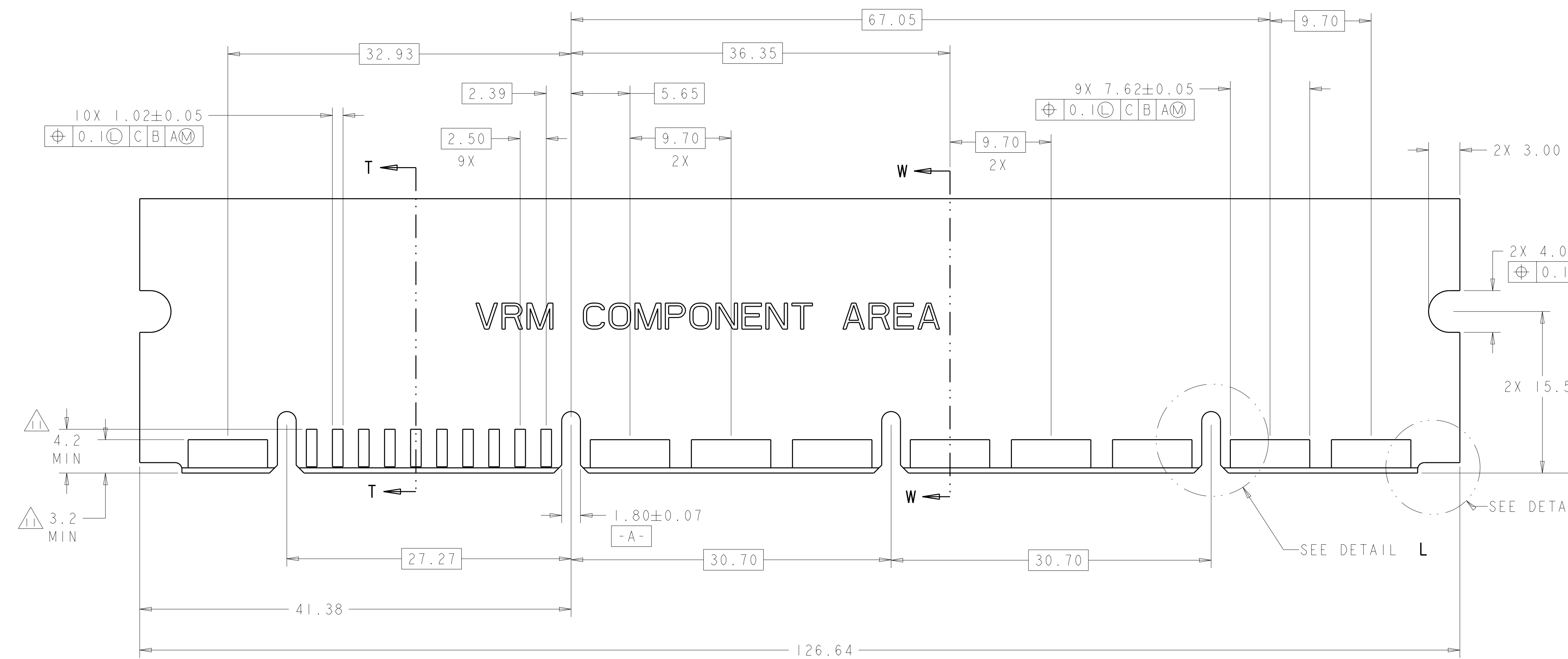


VRM COMPONENT AREA



DIMENSIONS: mm 		TOLERANCES UNLESS OTHERWISE SPECIFIED: 9 PLC ±.5 2 PLC ±.25 5 PLC ±.5 4 PLC ±.5 ANGLES ±.5 FINISH		DWN HA/GRZYBOWSKI 08JAN2009 CHK P.DAMATO 08JAN2009 APVD CHAU/PERCHERAE 08JAN2009 PRODUCT SPEC APPLICATION SPEC WEIGHT CUSTOMER DRAWING		Tyco Electronics Harrisburg, PA 17105-3608 NAME SOCKET CONNECTOR ASSEMBLY W/LATCHES MC-P9S10 SIZE CAGE CODE DRAWING NO A1100779C=1766442 RESTRICTED TO	
MATERIAL FINISH		WEIGHT CUSTOMER DRAWING		SCALE 4:1 SHEET 2 OF 4 REV C1		Tyco Electronics Harrisburg, PA 17105-3608 NAME SOCKET CONNECTOR ASSEMBLY W/LATCHES MC-P9S10 SIZE CAGE CODE DRAWING NO A1100779C=1766442 RESTRICTED TO	

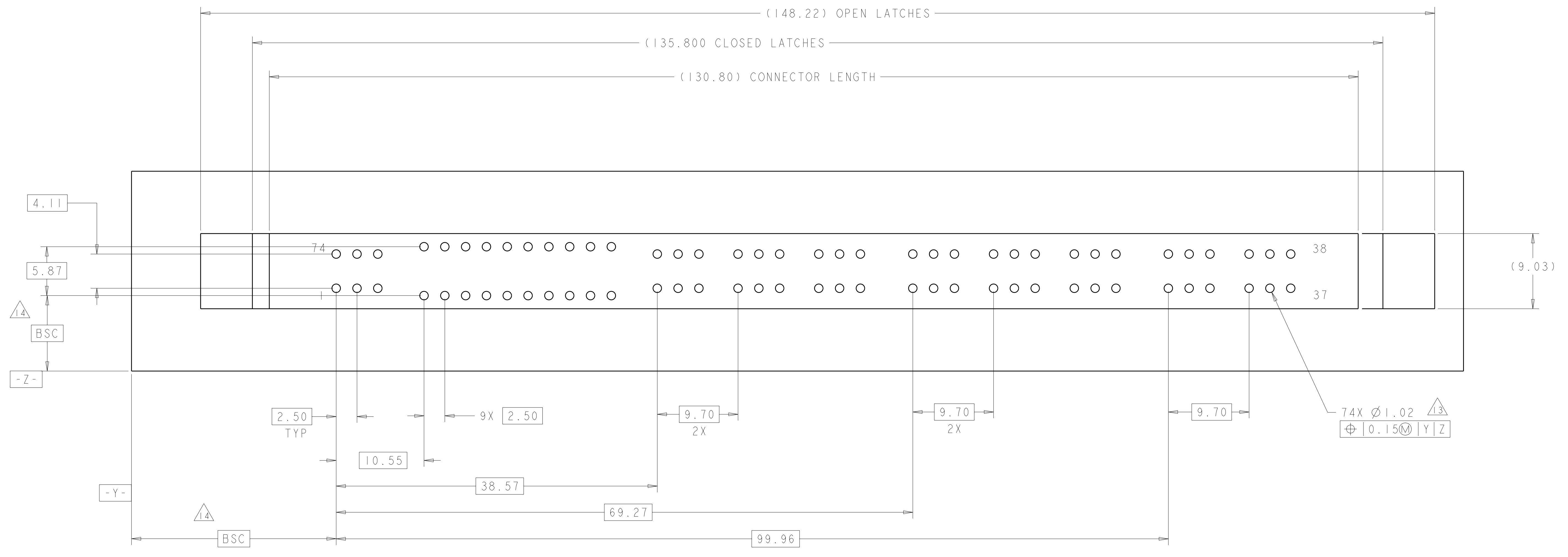
LOC	DIST	REV	DATE	BY	APPD
GP	00				
REVISIONS			DATE	BY	APPD
DESCRIPTION					
SEE SHEET 1					



DIMENSIONS:		TOLERANCES UNLESS OTHERWISE SPECIFIED:		DWN: HA/GRZYBOWSKI 08JAN2009		Tyco Electronics Tyco Electronics Harrisburg, PA 17105-3608	
mm		9 PLC ±.5		CHK: P.DAMATO 08JAN2009		NAME: SOCKET CONNECTOR ASSEMBLY W/LATCHES MC-P9S10	
Ø		2 PLC ±.25		APPD: CHAU/PERCHERAE 08JAN2009		SIZE: CAGE CODE: DRAWING NO: RESTRICTED TO	
MATERIAL:		FINISH: ±.5		PRODUCT SPEC:		A100779C=1766442	
				APPLICATION SPEC:		SCALE: 4:1 SHEET 3 OF 4 REV: C I	
				WEIGHT:		CUSTOMER DRAWING	

LOC	DIST	REV	DATE	BY	APPD
GP	00				

REVISIONS					
REV	DATE	DESCRIPTION	BY	APPD	DATE
-	-	SEE SHEET 1	-	-	-



RECOMMENDED P.C. BOARD GUIDELINE
 AS VIEWED FROM THE CONNECTOR SIDE

<small>THIS DRAWING IS UNPUBLISHED. RELEASED FOR PUBLICATION BY TYCO ELECTRONICS CORPORATION. ALL RIGHTS RESERVED.</small>		DWN: HA/GRZYBOWSKI 08JAN2009 CHK: P.DAMATO 08JAN2009 APVD: CHAU/PERCHERAE 08JAN2009	Tyco Electronics Harrisburg, PA 17105-3608
DIMENSIONS: mm TOLERANCES UNLESS OTHERWISE SPECIFIED: 0 PLC ±.5 1 PLC ±.5 2 PLC ±.25 3 PLC ±.5 4 PLC ±.5 ANGLES ±.5 FINISH -		NAME: SOCKET CONNECTOR ASSEMBLY W/LATCHES MC-P9S10 PRODUCT SPEC: - APPLICATION SPEC: - WEIGHT: - CUSTOMER DRAWING	SIZE: A CAGE CODE: 1766442 SCALE: 4:1 SHEET: 4 OF 4 REV: C

Данный компонент на территории Российской Федерации

Вы можете приобрести в компании MosChip.

Для оперативного оформления запроса Вам необходимо перейти по данной ссылке:

<http://moschip.ru/get-element>

Вы можете разместить у нас заказ для любого Вашего проекта, будь то серийное производство или разработка единичного прибора.

В нашем ассортименте представлены ведущие мировые производители активных и пассивных электронных компонентов.

Нашей специализацией является поставка электронной компонентной базы двойного назначения, продукции таких производителей как XILINX, Intel (ex.ALTERA), Vicor, Microchip, Texas Instruments, Analog Devices, Mini-Circuits, Amphenol, Glenair.

Сотрудничество с глобальными дистрибьюторами электронных компонентов, предоставляет возможность заказывать и получать с международных складов практически любой перечень компонентов в оптимальные для Вас сроки.

На всех этапах разработки и производства наши партнеры могут получить квалифицированную поддержку опытных инженеров.

Система менеджмента качества компании отвечает требованиям в соответствии с ГОСТ Р ИСО 9001, ГОСТ РВ 0015-002 и ЭС РД 009

Офис по работе с юридическими лицами:

105318, г.Москва, ул.Щербаковская д.3, офис 1107, 1118, ДЦ «Щербаковский»

Телефон: +7 495 668-12-70 (многоканальный)

Факс: +7 495 668-12-70 (доб.304)

E-mail: info@moschip.ru

Skype отдела продаж:

moschip.ru

moschip.ru_4

moschip.ru_6

moschip.ru_9