

Description

The LM2902/LM2904 series amplifiers consist of four and two independent high-gain operational amplifiers with very low input offset voltage specification. They have been designed to operate from a single power supply over a wide range of voltages; however operation from split power supplies is also possible. They offer low power supply current independent of the magnitude of the power supply voltage.

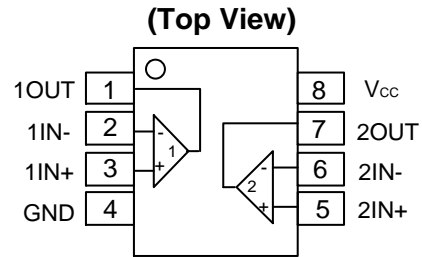
The LM2902/LM2904 series are characterized for operation from -40°C to +125°C and the dual devices are available in SO-8, MSOP-8, TSSOP-8 and the quad devices available in SO-14 and TSSOP-14 with industry standard pin-outs. Both use green mold compound as standard.

Features

- Wide Power Supply Voltage Range:
 - Single Supply: 3V to 36V
 - Dual Supplies: ±1.5V to ±18V
- Very Low Supply Current Drain
 - LM2904 500µA – Independent of Supply Voltage
 - LM2902 700µA – Independent of Supply Voltage
- Low Input Bias Current: 20nA
- Low Input Offset Voltage:
 - A Version: 1mV Typ
 - Non-A Version: 2mV Typ
- Large DC Voltage Gain: 100dB
- Wide Bandwidth (Unity Gain): 700kHz (Temperature Compensated)
- Internally Compensated with Unity Gain
- Input Common-Mode Voltage Range Includes Ground
- Differential Input Voltage Range Equal to the Power Supply Voltage
- Large Output Voltage Swing: 0V to V_{CC}-1.5V
- SO-8, MSOP-8, TSSOP-8 (DUALS) and SO-14, TSSOP-14 (QUADS) PACKAGES AVAILABLE
- **Totally Lead-Free & Fully RoHS Compliant (Notes 1 & 2)**
- **Halogen and Antimony Free. “Green” Device (Note 3)**
- **An Automotive-Compliant Part is Available Under Separate Datasheet ([LM2902Q](#) [LM2904Q](#))**

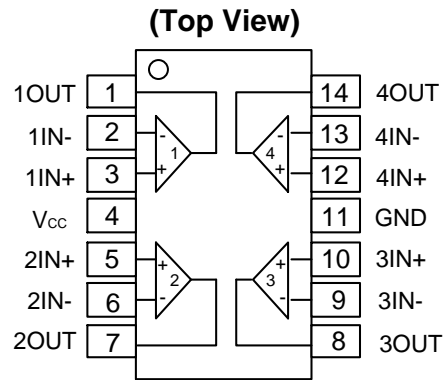
- Notes:
1. No purposely added lead. Fully EU Directive 2002/95/EC (RoHS), 2011/65/EU (RoHS 2) & 2015/863/EU (RoHS 3) compliant.
 2. See <https://www.diodes.com/quality/lead-free/> for more information about Diodes Incorporated's definitions of Halogen- and Antimony-free, "Green" and Lead-free.
 3. Halogen- and Antimony-free "Green" products are defined as those which contain <900ppm bromine, <900ppm chlorine (<1500ppm total Br + Cl) and <1000ppm antimony compounds.

Pin Assignments



SO-8/TSSOP-8/MSOP-8

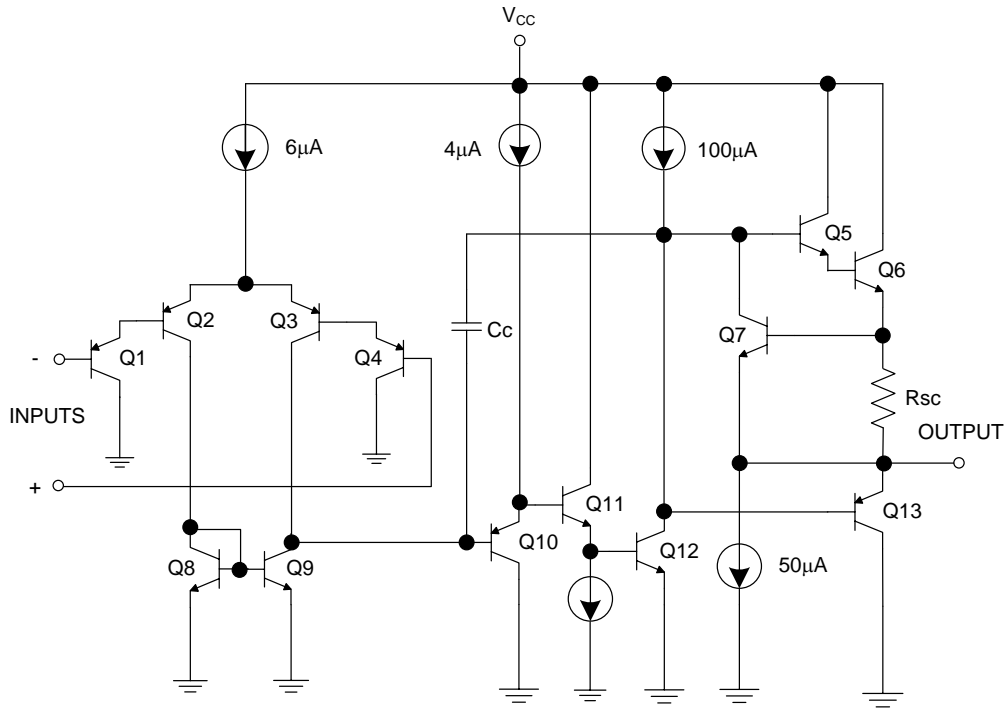
LM2904/LM2904A



SO-14/TSSOP-14

LM2902/LM2902A

Functional Block Diagram



Each Amplifier

Pin Descriptions

LM2902, LM2902A		
Pin Name	Pin Number	Function
1OUT	1	Channel 1 Output
1IN-	2	Channel 1 Inverting Input
1IN+	3	Channel 1 Non-Inverting Input
V _{CC}	4	Chip Supply Voltage
2IN+	5	Channel 2 Non-Inverting Input
2IN-	6	Channel 2 Inverting Input
2OUT	7	Channel 2 Output
3OUT	8	Channel 3 Output
3IN-	9	Channel 3 Inverting Input
3IN+	10	Channel 3 Non-Inverting Input
GND	11	Ground
4IN+	12	Channel 4 Non-Inverting Input
4IN-	13	Channel 4 Inverting Input
4OUT	14	Channel 4 Output
LM2904, LM2904A		
1OUT	1	Channel 1 Output
1IN-	2	Channel 1 Inverting Input
1IN+	3	Channel 1 Non-Inverting Input
GND	4	Ground
2IN+	5	Channel 2 Non-Inverting Input
2IN-	6	Channel 2 Inverting Input
2OUT	7	Channel 2 Output
V _{CC}	8	Chip Supply Voltage

Absolute Maximum Ratings (Note 4) (@ $T_A = +25^\circ\text{C}$, unless otherwise specified.)

Symbol	Parameter		Rating	Unit
V_{CC}	Supply Voltage		± 18 or 36	V
V_{ID}	Differential Input Voltage		36	V
V_{IN}	Input Voltage		-0.3 to +36	V
θ_{JA}	Package Thermal Impedance (Note 5)	SO-8	TBD	$^\circ\text{C/W}$
		MSOP-8	TBD	
		TSSOP-8	TBD	
		SO-14	TBD	
		TSSOP-14	TBD	
θ_{JC}	Package Thermal Impedance (Note 6)	SO-8	TBD	$^\circ\text{C/W}$
		MSOP-8	TBD	
		TSSOP-8	TBD	
		SO-14	TBD	
		TSSOP-14	TBD	
—	Output Short-Circuit to GND (One Amplifier) (Note 7)	$V_{CC} \leq 15\text{V}$ and $T_A = +25^\circ\text{C}$	Continuous	—
T_A	Operating Temperature Range		-40 to +125	$^\circ\text{C}$
T_J	Operating Junction Temperature		+150	$^\circ\text{C}$
T_{ST}	Storage Temperature Range		-65 to +150	$^\circ\text{C}$
ESD	Human Body Mode ESD Protection (Note 8)		300	V
	Machine Mode ESD Protection		150	

- Notes:
- Stresses beyond those listed under absolute maximum ratings may cause permanent damage to the device. These are stress ratings only; functional operation of the device at these or any other conditions beyond those indicated under recommended operating conditions is not implied. Exposure to absolute-maximum-rated conditions for extended periods may affect device reliability.
 - Maximum power dissipation is a function of $T_{J(\text{max})}$, θ_{JA} , and T_A . The maximum allowable power dissipation at any allowable ambient temperature is $P_D = (T_{J(\text{max})} - T_A)/\theta_{JA}$. Operating at the absolute maximum T_J of +150 $^\circ\text{C}$ can affect reliability.
 - Maximum power dissipation is a function of $T_{J(\text{max})}$, θ_{JC} , and T_A . The maximum allowable power dissipation at any allowable ambient temperature is $P_D = (T_{J(\text{max})} - T_A)/\theta_{JA}$. Operating at the absolute maximum T_J of +150 $^\circ\text{C}$ can affect reliability.
 - Short circuits from outputs to V_{CC} or ground can cause excessive heating and eventual destruction.
 - Human body model, 1.5k Ω in series with 100pF.

Electrical Characteristics (Notes 12 & 13) (@ $V_{CC} = +5.0V$, $T_A = +25^\circ C$, unless otherwise specified.)

LM2902, LM2902A									
Parameter		Conditions		T_A	Min	Typ	Max	Unit	
V_{IO}	Input Offset Voltage	$V_{IC} = V_{CMR}$ Min, $V_O = 1.4V$, $V_{CC} = 5V$ to Max, $R_S = 0\Omega$	Non-A Device	$T_A = +25^\circ C$	—	2	7	mV	
				Full Range	—	—	10		
			A-Suffix Device	$T_A = +25^\circ C$	—	1	2		
				Full Range	—	—	4		
$\Delta V_{IO}/\Delta T$	Input Offset Voltage Temperature Drift	$R_S = 0\Omega$		Full Range	—	7	—	$\mu V/^\circ C$	
I_B	Input Bias Current	I_{IN+} or I_{IN-} with OUT in Linear Range, $V_{CMR} = 0V$ (Note 9)		$T_A = +25^\circ C$	—	-20	-200	nA	
				Full Range	—	—	-500		
I_{IO}	Input Offset Current	$I_{IN+} - I_{IN-}$, $V_{CM} = 0V$		$T_A = +25^\circ C$	—	2	50	nA	
				Full Range	—	—	150		
$\Delta I_{IO}/\Delta T$	Input Offset Current Temperature Drift	—		Full Range	—	10	—	$pA/^\circ C$	
V_{CMR}	Input Common-Mode Voltage Range	$V_{CC} = 30V$ (Note 10)		$T_A = +25^\circ C$	0 to $V_{CC}-1.5$	—	—	V	
				Full Range	0 to $V_{CC}-2.0$	—	—		
I_{CC}	Supply Current (Four Amplifiers)	$V_O = 0.5V_{CC}$, No Load	$V_{CC} = 30V$	Full Range	—	1.0	3.0	mA	
		$V_O = 0.5V_{CC}$, No Load	$V_{CC} = 5V$	Full Range	—	0.7	1.2		
A_V	Voltage Gain	$V_{CC} = 15V$, $V_{OUT} = 1V$ to $11V$, $R_L \geq 2k\Omega$		$T_A = +25^\circ C$	25	100	—	V/mV	
				Full Range	15	—	—		
CMRR	Common Mode Rejection Ratio	DC, $V_{CMR} = 0V$ to $V_{CC}-1.5V$		$T_A = +25^\circ C$	60	70	—	dB	
PSRR	Power Supply Rejection Ratio	$V_{CC} = 5V$ to $30V$		$T_A = +25^\circ C$	70	100	—	dB	
—	Amplifier to Amplifier Coupling	$f = 1kHz$ to $20kHz$ (Input Referred) (Note 11)		$T_A = +25^\circ C$	—	-120	—	dB	
I_{SINK}	Output Current	Sink	$V_{IN-} = 1V$, $V_{IN+} = 0V$, $V_{CC} = 15V$, $V_O = 200mV$		$T_A = +25^\circ C$	12	50	—	μA
			$V_{IN-} = 1V$, $V_{IN+} = 0V$, $V_{CC} = 15V$, $V_O = 15V$		$T_A = +25^\circ C$	10	20	—	mA
Source		$V_{IN+} = 1V$, $V_{IN-} = 0V$, $V_{CC} = 15V$, $V_O = 0V$		$T_A = +25^\circ C$	-20	-40	-60		
		Full Range			-10	—	—		
I_{SC}	Short-Circuit to Ground	$V_{CC} = 5V$, $GND = -5V$, $V_O = 0V$		$T_A = +25^\circ C$	—	± 40	± 60	mA	
V_{OH}	High-Level Output Voltage Swing	$R_L = 10k\Omega$		$T_A = +25^\circ C$	—	$V_{CC}-1.5$	—	V	
		$V_{CC} = 30V$	$R_L = 2k\Omega$	Full Range	26	—	—		
			$R_L \geq 10k\Omega$		27	28	—		
V_{OL}	Low-Level Output Voltage Swing	$R_L \leq 10k\Omega$		Full Range	—	5	20	mV	

AC Electrical Characteristics (Notes 12 & 13) (@ $V_{CC} = \pm 15.0V$, $T_A = +25^\circ C$, unless otherwise specified.)

LM2902, LM2902A					
Parameter	Conditions	Typ	Unit		
SR	Slew Rate at Unity Gain	$R_L = 1M\Omega$, $C_L = 30pF$, $V_I = \pm 10V$	0.3	V/ μs	
B1	Unity Gain Bandwidth	$R_L = 1M\Omega$, $C_L = 20pF$	0.7	MHz	
V_n	Equivalent Input Noise Voltage	$R_S = 100\Omega$, $V_I = 0V$, $f = 1kHz$	40	nV/ \sqrt{Hz}	

- Notes:
- The direction of the input current is out of the IC due to the PNP input stage. This current is essentially constant, independent of the state of the output so no loading change exists on the input lines.
 - The input common-mode voltage of either input signal voltage should not be allowed to go negative by more than $0.3V$ (@ $+25^\circ C$). The upper end of the common-mode voltage range is $V_{CC} - 1.5V$ (@ $+25^\circ C$), but either or both inputs can go to $+36V$ without damage, independent of the magnitude of V_{CC} .
 - Due to proximity of external components, insure that coupling is not originating via stray capacitance between these external parts. This typically can be detected as this type of capacitance increases at higher frequencies.
 - Typical values are all at $T_A = +25^\circ C$ conditions and represent the most likely parametric norm as determined at the time of characterization. Actual typical values may vary over time and will also depend on the application and configuration. The typical values are not tested and are not guaranteed on shipped production material.
 - All limits are guaranteed by testing or statistical analysis. Limits over the full temperature are guaranteed by design, but not tested in production.

Electrical Characteristics (Cont.) (Notes 12 & 13) (@ $V_{CC} = +5.0V$, $T_A = +25^\circ C$, unless otherwise specified.)

LM2904, LM2904A		Parameter		Conditions	T_A	Min	Typ	Max	Unit
V_{IO}	Input Offset Voltage	$V_{IC} = V_{CMR}$ Min, $V_O = 1.4V$, $V_{CC} = 5V$ to Max $R_S = 0\Omega$	Non-A Device	Full Range	$T_A = +25^\circ C$	—	2	7	mV
					Full Range	—	—	10	
			A-Suffix Device	Full Range	$T_A = +25^\circ C$	—	1	2	
					Full Range	—	—	4	
$\Delta V_{IO}/\Delta T$	Input Offset Voltage Temperature Drift	$R_S = 0\Omega$	Full Range	—	7	—	$\mu V/^\circ C$		
I_B	Input Bias Current	I_{IN+} or I_{IN-} with OUT in Linear Range, $V_{CMR} = 0V$ (Note 9)	Full Range	$T_A = +25^\circ C$	—	-20	-250	nA	
				Full Range	—	—	-500		
I_{IO}	Input Offset Current	$I_{IN+} - I_{IN-}$, $V_{CM} = 0V$	Full Range	$T_A = +25^\circ C$	—	2	50	nA	
				Full Range	—	—	150		
$\Delta I_{IO}/\Delta T$	Input Offset Current Temperature Drift	—	Full Range	—	10	—	$pA/^\circ C$		
V_{CMR}	Input Common-Mode Voltage Range	$V_{CC} = 30V$ (Note 10)	Full Range	$T_A = +25^\circ C$	0 to $V_{CC} - 1.5$	—	—	V	
				Full Range	0 to $V_{CC} - 2.0$	—	—		
I_{CC}	Supply Current (Two Amplifiers)	$V_O = 0.5V_{CC}$, No Load	$V_{CC} = 30V$	Full Range	—	0.7	2.0	mA	
		$V_O = 0.5V_{CC}$, No Load	$V_{CC} = 5V$	Full Range	—	0.5	1.2		
A_V	Voltage Gain	$V_{CC} = 15V$, $V_{OUT} = 1V$ to $11V$, $R_L \geq 2k\Omega$	Full Range	$T_A = +25^\circ C$	25	100	—	V/mV	
				Full Range	15	—	—		
CMRR	Common Mode Rejection Ratio	DC, $V_{CMR} = 0V$ to $V_{CC} - 1.5V$	Full Range	$T_A = +25^\circ C$	60	70	—	dB	
PSRR	Power Supply Rejection Ratio	$V_{CC} = 5V$ to $30V$	Full Range	$T_A = +25^\circ C$	70	100	—	dB	
—	Amplifier to Amplifier Coupling	$f = 1kHz$ to $20kHz$ (Note 11)	Full Range	$T_A = +25^\circ C$	—	120	—	dB	
I_{SINK}	Output Current	Sink	Full Range	$T_A = +25^\circ C$	12	50	—	μA	
				Full Range	10	20	—		
I_{SOURCE}	Output Current	Source	Full Range	$T_A = +25^\circ C$	5	—	—	mA	
				Full Range	-20	-40	-60		
I_{SC}	Short-Circuit to Ground	$V_{CC} = 5V$, $GND = -5V$, $V_O = 0V$	Full Range	$T_A = +25^\circ C$	—	± 40	± 60	mA	
				Full Range	—	± 40	± 60		
V_{OH}	High-Level Output Voltage Swing	$R_L = 10k\Omega$	Full Range	$T_A = +25^\circ C$	$V_{CC} - 1.5$	—	—	V	
				$V_{CC} = 30V$	$R_L = 2k\Omega$	26	—		—
					$R_L \geq 10k\Omega$	27	28		—
V_{OL}	Low-Level Output Voltage Swing	$R_L \leq 10k\Omega$	Full Range	—	5	20	mV		

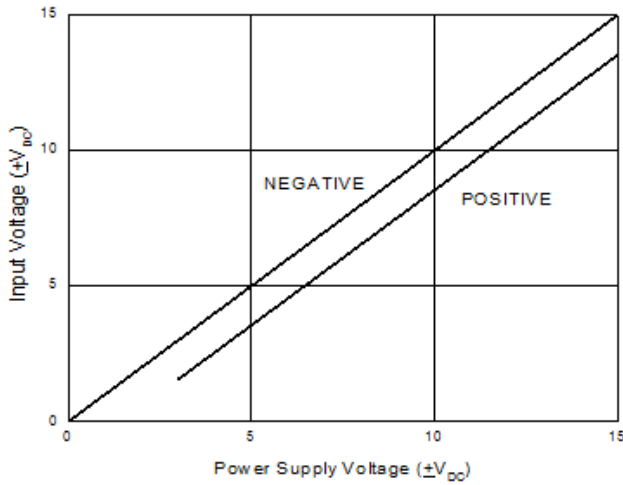
AC Electrical Characteristics (Notes 12 & 13) (@ $V_{CC} = \pm 15.0V$, $T_A = +25^\circ C$, unless otherwise specified.)

LM2904, LM2904A		Parameter	Conditions	Typ	Unit
SR	Slew Rate at Unity Gain	$R_L = 1M\Omega$, $C_L = 30pF$, $V_I = \pm 10V$		0.3	$V/\mu s$
B1	Unity Gain Bandwidth	$R_L = 1M\Omega$, $C_L = 20pF$		0.7	MHz
V_n	Equivalent Input Noise Voltage	$R_S = 100\Omega$, $V_I = 0V$, $f = 1kHz$		40	nV/\sqrt{Hz}

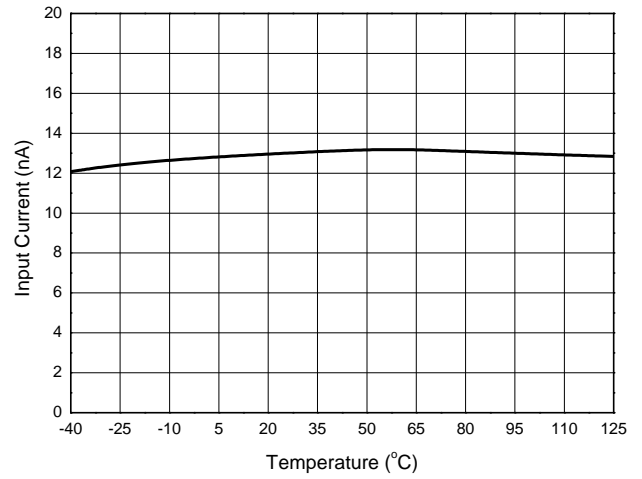
- Notes:
- The direction of the input current is out of the IC due to the PNP input stage. This current is essentially constant, independent of the state of the output so no loading change exists on the input lines.
 - The input common-mode voltage of either input signal voltage should not be allowed to go negative by more than $0.3V$ (@ $+25^\circ C$). The upper end of the common-mode voltage range is $V_{CC} - 1.5V$ (@ $+25^\circ C$), but either or both inputs can go to $+36V$ without damage, independent of the magnitude of V_{CC} .
 - Due to proximity of external components, insure that coupling is not originating via stray capacitance between these external parts. This typically can be detected as this type of capacitance increases at higher frequencies.
 - Typical values are all at $T_A = +25^\circ C$ conditions and represent the most likely parametric norm as determined at the time of characterization. Actual typical values may vary over time and will also depend on the application and configuration. The typical values are not tested and are not guaranteed on shipped production material.
 - All limits are guaranteed by testing or statistical analysis. Limits over the full temperature are guaranteed by design, but not tested in production.

Performance Characteristics

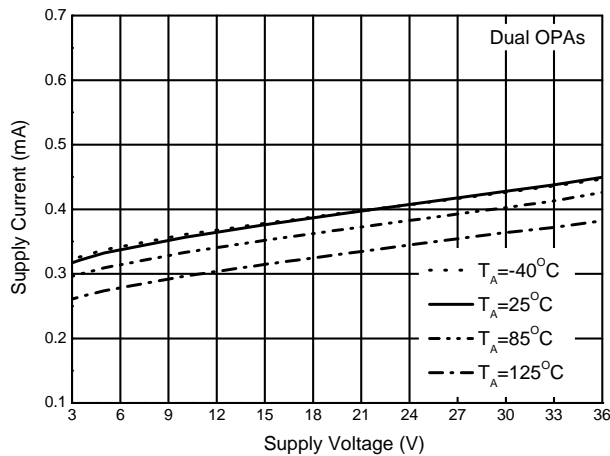
Input Voltage Range



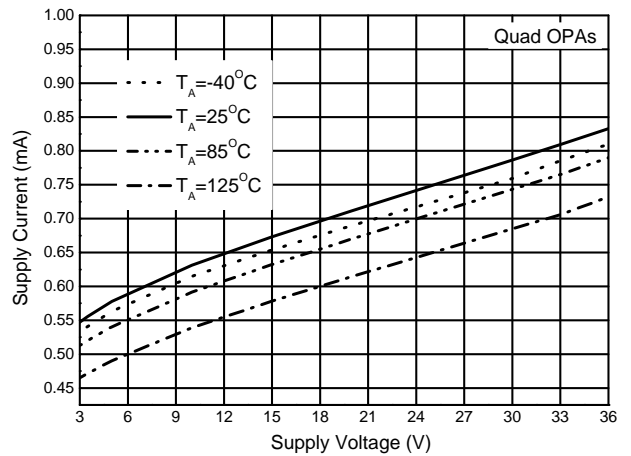
Input Current



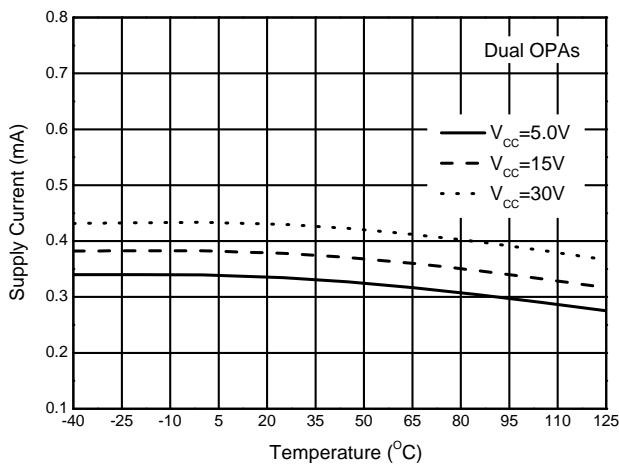
Supply Current vs. Supply Voltage (LM2904/LM2904A)



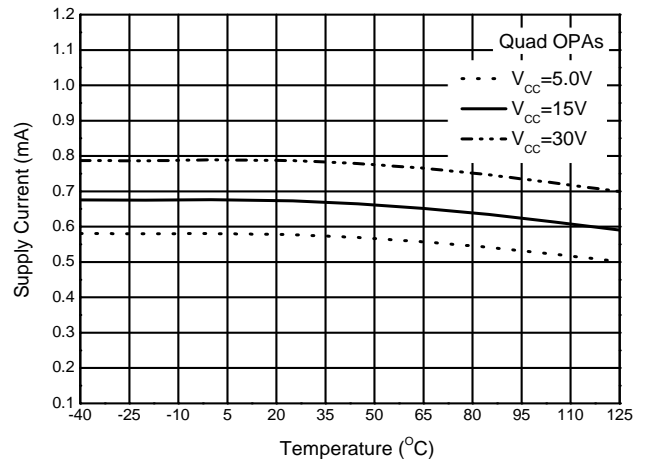
Supply Current vs. Supply Voltage (LM2902/LM2902A)



Supply Current vs. Temperature (LM2904/LM2904A)

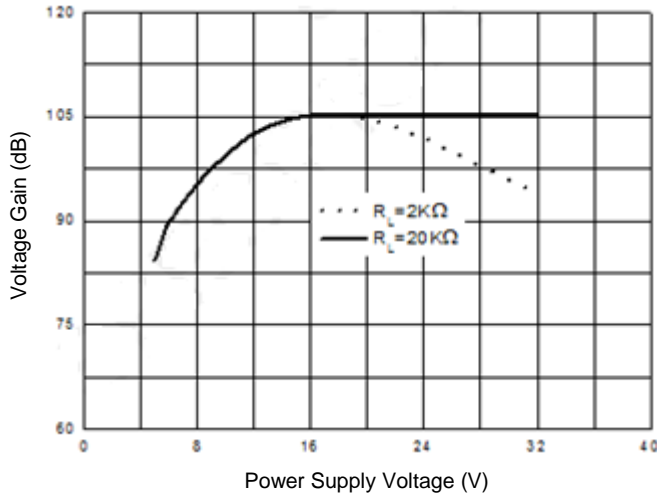


Supply Current vs. Temperature (LM2902/LM2902A)

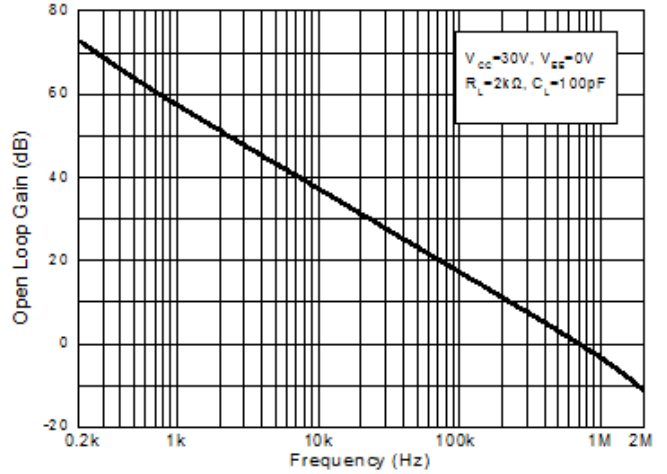


Performance Characteristics (Cont.)

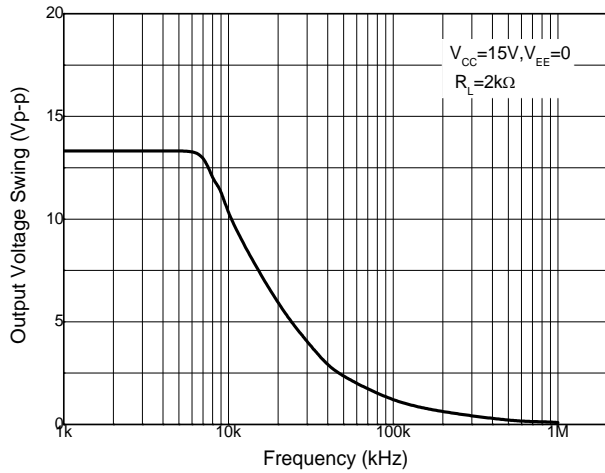
Voltage Gain



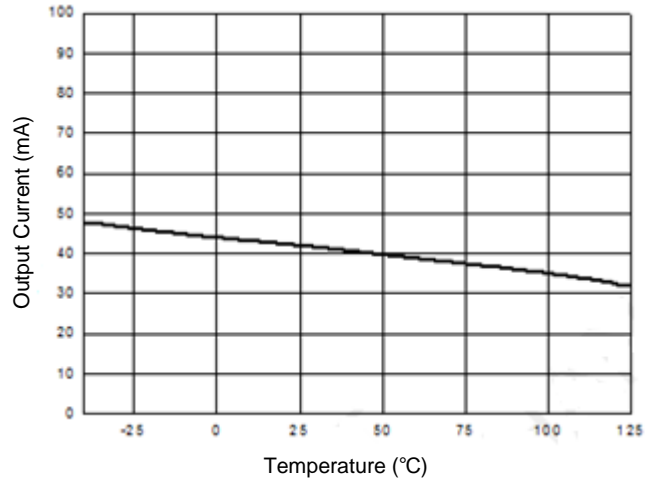
Open Loop Frequency Response



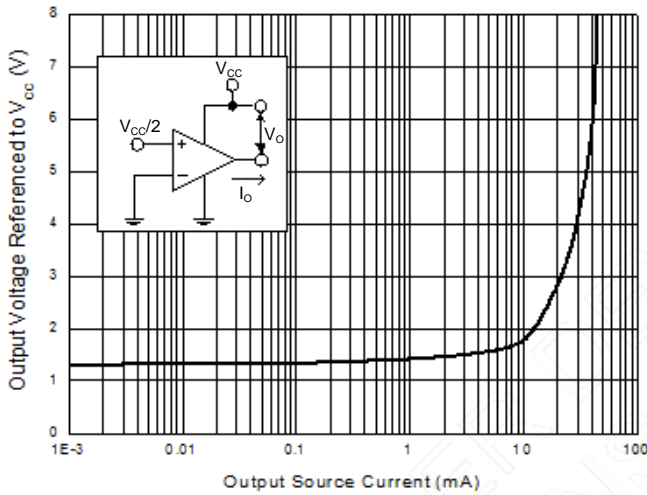
Large Signal Frequency Response



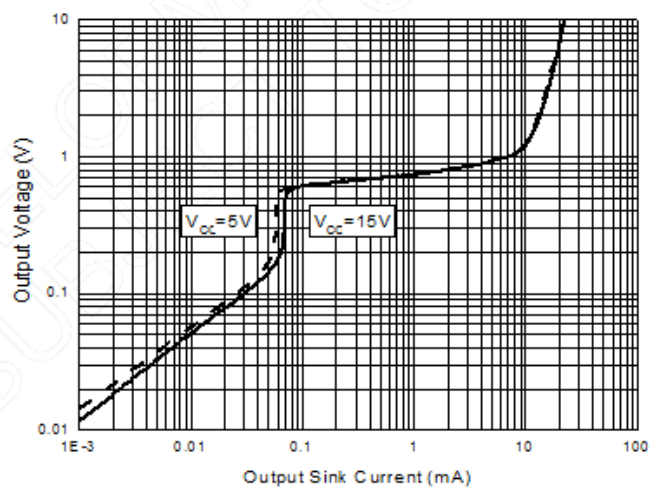
Current Limit



Output Characteristics: Current Sourcing

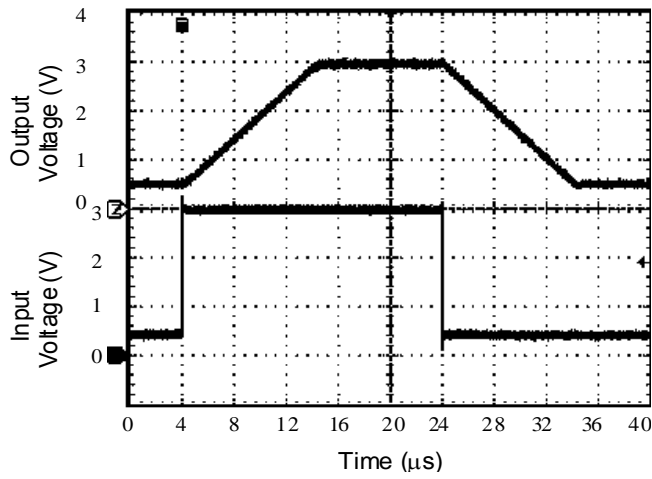


Output Characteristics: Current Sinking

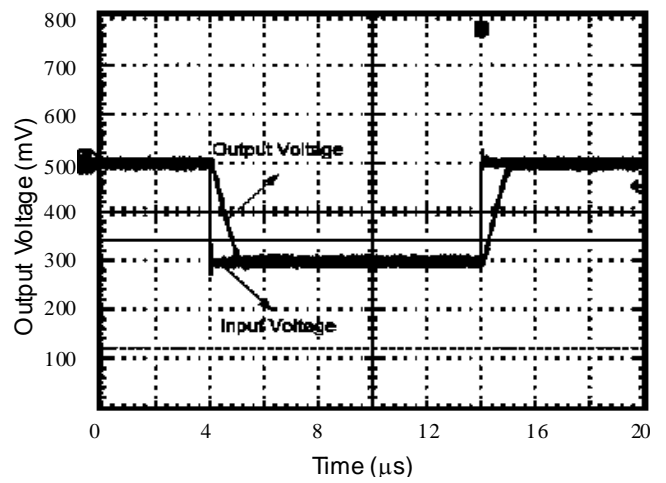


Performance Characteristics (Cont.)

Voltage Follower Pulse Response



Voltage Follower Pulse Response (Small Signal)



Application Information

General Information

The LM2902/LM2904 series are op amps which operate with only a single power supply voltage, have true-differential inputs, and remain in the linear mode with an input common-mode voltage of $0V_{DC}$. These amplifiers operate over a wide range of power supply voltage with little change in performance characteristics. At $+25^{\circ}C$ amplifier operation is possible down to a minimum supply voltage of $2.3V_{DC}$.

Precautions should be taken to insure that the power supply for the integrated circuit never becomes reversed in polarity or that the unit is not inadvertently installed backwards in a test socket as an unlimited current surge through the resulting forward diode within the IC could cause fusing of the internal conductors and result in a destroyed unit.

Large differential input voltages can be easily accommodated and, as input differential voltage protection diodes are not needed, no large input currents result from large differential input voltages. The differential input voltage may be larger than V^+ without damaging the device. Protection should be provided to prevent the input voltages from going negative more than $-0.3V_{DC}$ (@ $+25^{\circ}C$). An input clamp diode with a resistor to the IC input terminal can be used.

To reduce the power supply current drain, the amplifiers have a Class A output stage for small signal levels which converts to Class B in a large signal mode. These allow the amplifiers to both source and sink large output currents. Therefore both NPN and PNP external current boost transistors can be used to extend the power capability of the basic amplifiers. The output voltage needs to raise approximately 1 diode drop above ground to bias the on-chip vertical PNP transistor for output current sinking applications.

For AC applications, where the load is capacitive coupled to the output of the amplifier, a resistor should be used, from the output of the amplifier to ground to increase the Class A bias current and prevent crossover distortion. Where the load is directly coupled, as in DC applications, there is no crossover distortion.

Capacitive loads which are applied directly to the output of the amplifier reduce the loop stability margin. Values of 50pF can be accommodated using the worst-case non-inverting unity gain connection. Large closed loop gains or resistive isolation should be used if larger load capacitance must be driven by the amplifier.

The bias network of the LM2902/LM2904 series establishes a quiescent current which is independent of the magnitude of the power supply voltage over the range of $3V_{DC}$ to $30V_{DC}$.

Output short circuits either to ground or to the positive power supply should be of short time duration. Units can be destroyed, not as a result of the short circuit current causing metal fusing, but rather due to the large increase in IC chip dissipation which will cause eventual failure due to excessive function temperatures. Putting direct short-circuits on more than one amplifier at a time will increase the total IC power dissipation to destructive levels, if not properly protected with external dissipation limiting resistors in series with the output leads of the amplifiers. The larger value of output source current which is available at $+25^{\circ}C$ provides a larger output current capability at elevated temperatures (see Performance Characteristics) than a standard IC op amp.

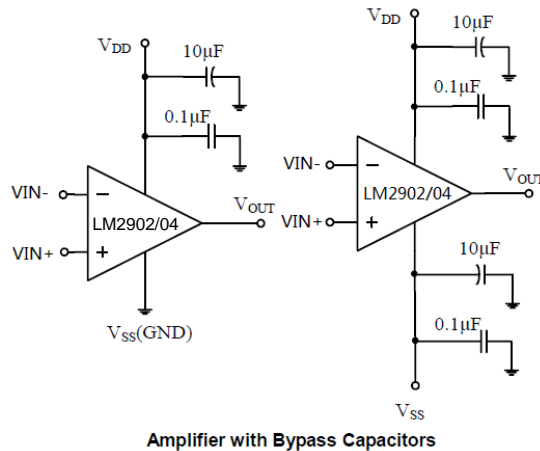
The circuits presented in the section on typical applications emphasize operation on only a single power supply voltage. If complementary power supplies are available, all of the standard op amp circuits can be used. In general, introducing a pseudo-ground (a bias voltage reference of $V_{CC}/2$) will allow operation above and below this value in single power supply systems. Many application circuits are shown which take advantage of the wide input common-mode voltage range which includes ground. In most cases, input biasing is not required and input voltages which range to ground can easily be accommodated.

Application Information (Cont.)

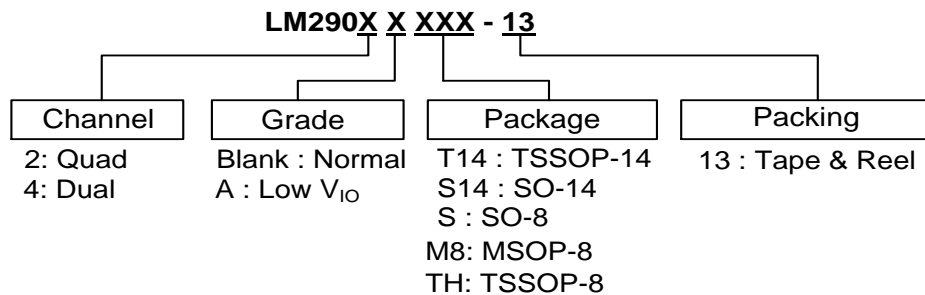
Power Supply Bypassing and Layout

The LM2902/LM2904 operate both single supply voltage range 3V to 36V or dual supply voltage $\pm 1.5V$ to $\pm 18V$.

As with any operation amplifier, proper supply bypassing is critical for low noise performance and high power supply rejection. For single supply operation system, a minimum $0.1\mu F$ bypass capacitor should be recommended to place as close as possible between the V_{CC} Pin and GND. For dual supply operation, both the positive supply pin and negative supply pin should be bypassed to ground with a separate $0.1\mu F$ ceramic capacitor. $2.2\mu F$ tantalum capacitor can be added for better performance. Keep the length of leads and traces that connect capacitors between the LM2902/LM2904 power supply pin and ground as short as possible.



Ordering Information (Note 14)

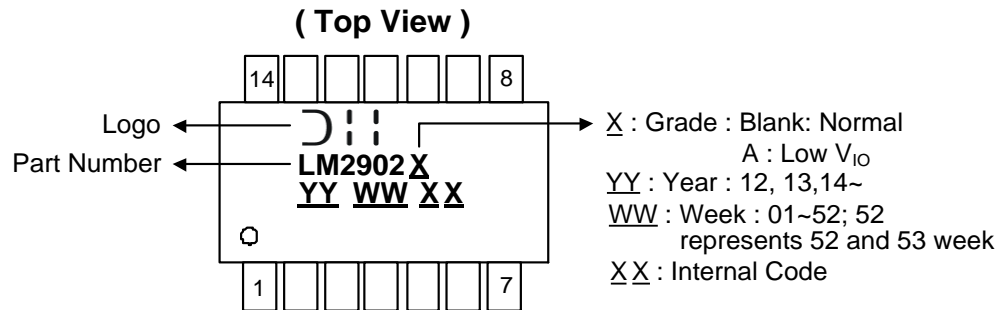


Part Number	Package Code	Packaging	13" Tape and Reel	
			Quantity	Part Number Suffix
LM2902T14-13	T14	TSSOP-14	2,500/Tape & Reel	-13
LM2902AT14-13	T14	TSSOP-14	2,500/Tape & Reel	-13
LM2902S14-13	S14	SO-14	2,500/Tape & Reel	-13
LM2902AS14-13	S14	SO-14	2,500/Tape & Reel	-13
LM2904S-13	S	SO-8	2,500/Tape & Reel	-13
LM2904AS-13	S	SO-8	2,500/Tape & Reel	-13
LM2904AM8-13	M8	MSOP-8	2,500/Tape & Reel	-13
LM2904M8-13	M8	MSOP-8	2,500/Tape & Reel	-13
LM2904ATH-13	TH	TSSOP-8	2,500/Tape & Reel	-13
LM2904TH-13	TH	TSSOP-8	2,500/Tape & Reel	-13

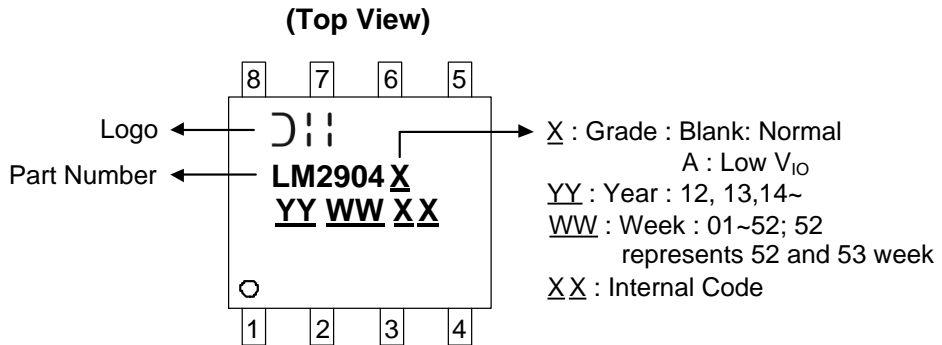
Note: 14. For packaging details, go to our website at <https://www.diodes.com/design/support/packaging/diodes-packaging/>.

Marking Information

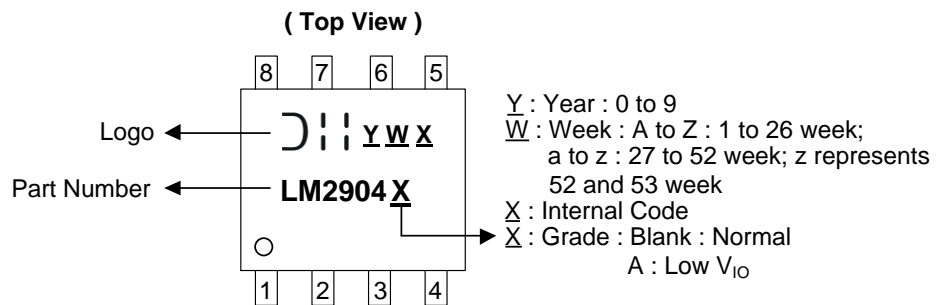
(1) TSSOP-14 and SO-14



(2) SO-8



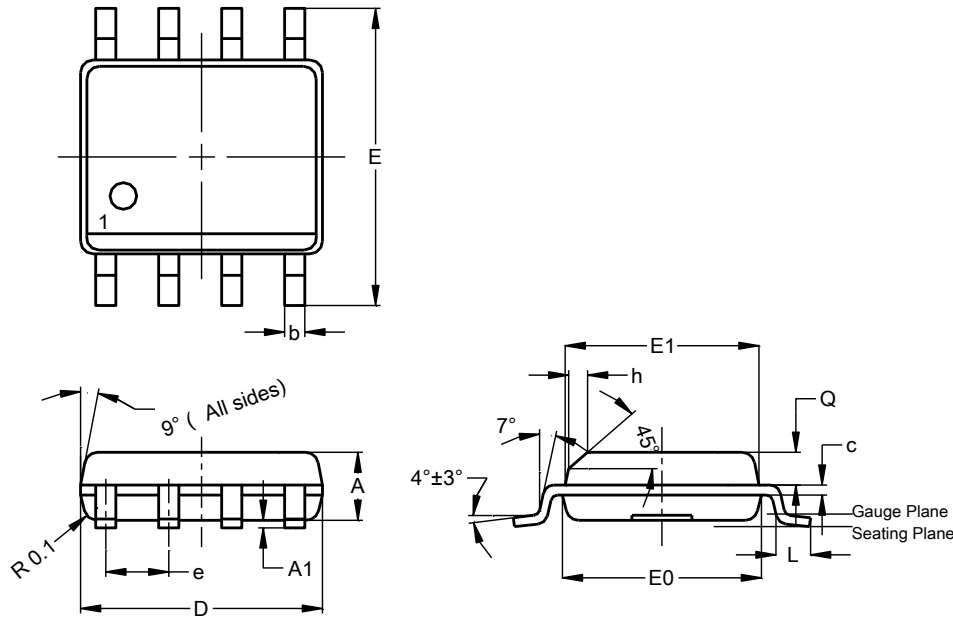
(3) MSOP-8 and TSSOP-8



Package Outline Dimensions

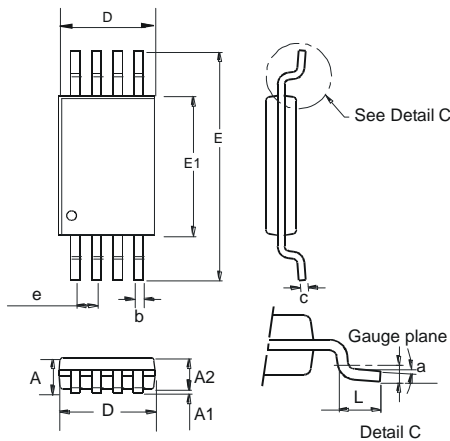
Please see <http://www.diodes.com/package-outlines.html> for the latest version.

(1) Package Type: SO-8



SO-8			
Dim	Min	Max	Typ
A	1.40	1.50	1.45
A1	0.10	0.20	0.15
b	0.30	0.50	0.40
c	0.15	0.25	0.20
D	4.85	4.95	4.90
E	5.90	6.10	6.00
E1	3.80	3.90	3.85
E0	3.85	3.95	3.90
e	--	--	1.27
h	-	--	0.35
L	0.62	0.82	0.72
Q	0.60	0.70	0.65
All Dimensions in mm			

(2) Package Type: TSSOP-8

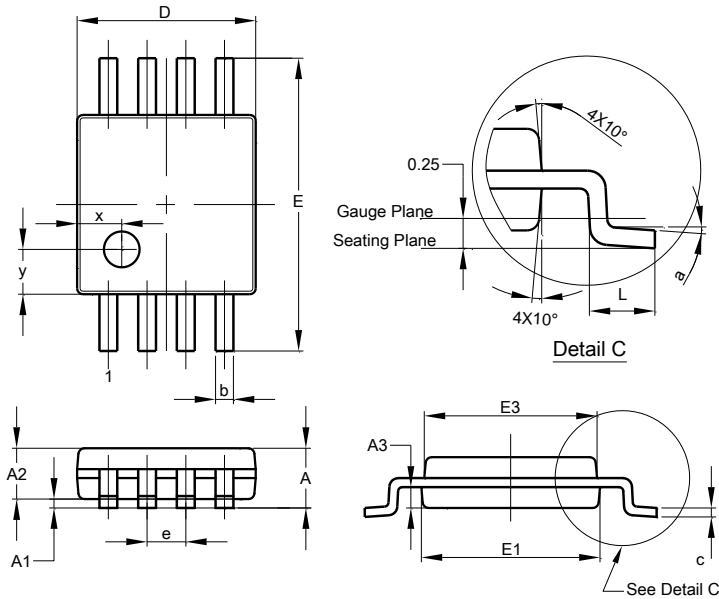


TSSOP-8			
Dim	Min	Max	Typ
a	0.09	--	--
A	--	1.20	--
A1	0.05	0.15	--
A2	0.825	1.025	0.925
b	0.19	0.30	--
c	0.09	0.20	--
D	2.90	3.10	3.025
e	--	--	0.65
E	--	--	6.40
E1	4.30	4.50	4.425
L	0.45	0.75	0.60
All Dimensions in mm			

Package Outline Dimensions (Cont.)

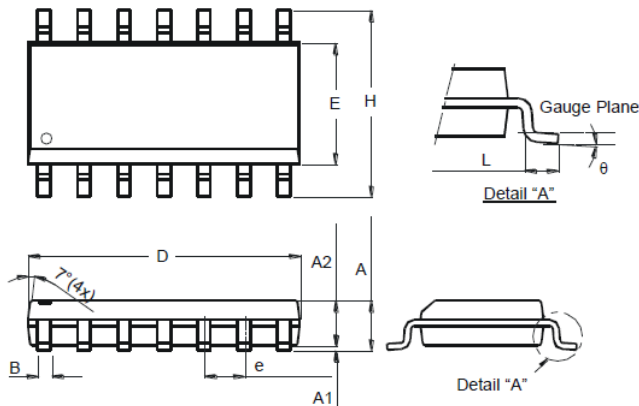
Please see <http://www.diodes.com/package-outlines.html> for the latest version.

(3) Package Type: MSOP-8



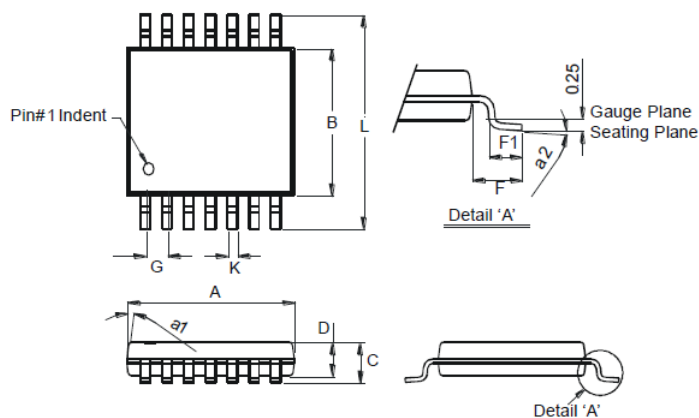
MSOP-8			
Dim	Min	Max	Typ
A	-	1.10	-
A1	0.05	0.15	0.10
A2	0.75	0.95	0.86
A3	0.29	0.49	0.39
b	0.22	0.38	0.30
c	0.08	0.23	0.15
D	2.90	3.10	3.00
E	4.70	5.10	4.90
E1	2.90	3.10	3.00
E3	2.85	3.05	2.95
e	-	-	0.65
L	0.40	0.80	0.60
a	0°	8°	4°
x	-	-	0.750
y	-	-	0.750
All Dimensions in mm			

(4) Package Type: SO-14



SO-14		
Dim	Min	Max
A	1.47	1.73
A1	0.10	0.25
A2	1.45 Typ	
B	0.33	0.51
D	8.53	8.74
E	3.80	3.99
e	1.27 Typ	
H	5.80	6.20
L	0.38	1.27
theta	0°	8°
All Dimensions in mm		

(5) Package Type: TSSOP-14

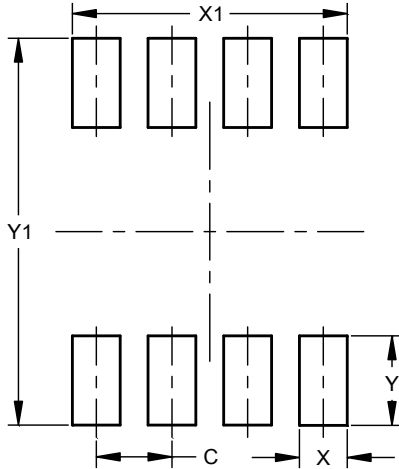


TSSOP-14		
Dim	Min	Max
a1	7° (4X)	
a2	0°	8°
A	4.9	5.10
B	4.30	4.50
C	-	1.2
D	0.8	1.05
F	1.00 Typ	
F1	0.45	0.75
G	0.65 Typ	
K	0.19	0.30
L	6.40 Typ	
All Dimensions in mm		

Suggested Pad Layout

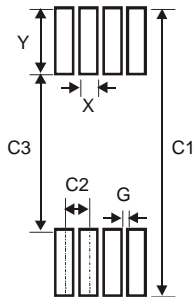
Please see <http://www.diodes.com/package-outlines.html> for the latest version.

(1) Package Type: SO-8



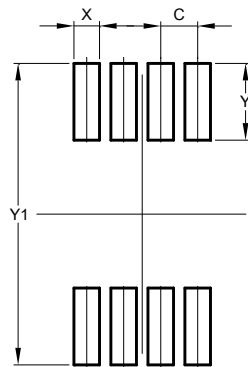
Dimensions	Value (in mm)
C	1.27
X	0.802
X1	4.612
Y	1.505
Y1	6.50

(2) Package Type: TSSOP-8



Dimensions	Value (in mm)
X	0.45
Y	1.78
C1	7.72
C2	0.65
C3	4.16
G	0.20

(3) Package Type: MSOP-8

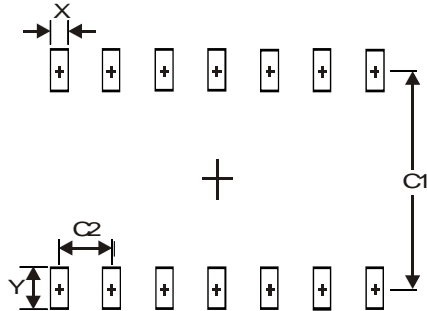


Dimensions	Value (in mm)
C	0.650
X	0.450
Y	1.350
Y1	5.300

Suggested Pad Layout (Cont.)

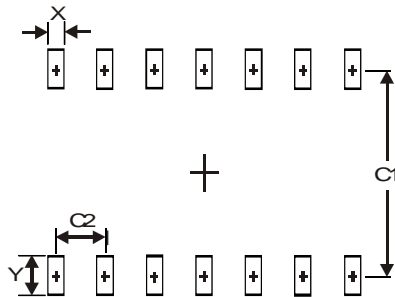
Please see <http://www.diodes.com/package-outlines.html> for the latest version.

(4) Package Type: SO-14



Dimensions	Value (in mm)
X	0.60
Y	1.50
C1	5.4
C2	1.27

(5) Package Type: TSSOP-14



Dimensions	Value (in mm)
X	0.45
Y	1.45
C1	5.9
C2	0.65

IMPORTANT NOTICE

DIODES INCORPORATED MAKES NO WARRANTY OF ANY KIND, EXPRESS OR IMPLIED, WITH REGARDS TO THIS DOCUMENT, INCLUDING, BUT NOT LIMITED TO, THE IMPLIED WARRANTIES OF MERCHANTABILITY AND FITNESS FOR A PARTICULAR PURPOSE (AND THEIR EQUIVALENTS UNDER THE LAWS OF ANY JURISDICTION).

Diodes Incorporated and its subsidiaries reserve the right to make modifications, enhancements, improvements, corrections or other changes without further notice to this document and any product described herein. Diodes Incorporated does not assume any liability arising out of the application or use of this document or any product described herein; neither does Diodes Incorporated convey any license under its patent or trademark rights, nor the rights of others. Any Customer or user of this document or products described herein in such applications shall assume all risks of such use and will agree to hold Diodes Incorporated and all the companies whose products are represented on Diodes Incorporated website, harmless against all damages.

Diodes Incorporated does not warrant or accept any liability whatsoever in respect of any products purchased through unauthorized sales channel. Should Customers purchase or use Diodes Incorporated products for any unintended or unauthorized application, Customers shall indemnify and hold Diodes Incorporated and its representatives harmless against all claims, damages, expenses, and attorney fees arising out of, directly or indirectly, any claim of personal injury or death associated with such unintended or unauthorized application.

Products described herein may be covered by one or more United States, international or foreign patents pending. Product names and markings noted herein may also be covered by one or more United States, international or foreign trademarks.

This document is written in English but may be translated into multiple languages for reference. Only the English version of this document is the final and determinative format released by Diodes Incorporated.

LIFE SUPPORT

Diodes Incorporated products are specifically not authorized for use as critical components in life support devices or systems without the express written approval of the Chief Executive Officer of Diodes Incorporated. As used herein:

A. Life support devices or systems are devices or systems which:

1. are intended to implant into the body, or
2. support or sustain life and whose failure to perform when properly used in accordance with instructions for use provided in the labeling can be reasonably expected to result in significant injury to the user.

B. A critical component is any component in a life support device or system whose failure to perform can be reasonably expected to cause the failure of the life support device or to affect its safety or effectiveness.

Customers represent that they have all necessary expertise in the safety and regulatory ramifications of their life support devices or systems, and acknowledge and agree that they are solely responsible for all legal, regulatory and safety-related requirements concerning their products and any use of Diodes Incorporated products in such safety-critical, life support devices or systems, notwithstanding any devices- or systems-related information or support that may be provided by Diodes Incorporated. Further, Customers must fully indemnify Diodes Incorporated and its representatives against any damages arising out of the use of Diodes Incorporated products in such safety-critical, life support devices or systems.

Copyright © 2018, Diodes Incorporated

www.diodes.com

Данный компонент на территории Российской Федерации

Вы можете приобрести в компании MosChip.

Для оперативного оформления запроса Вам необходимо перейти по данной ссылке:

<http://moschip.ru/get-element>

Вы можете разместить у нас заказ для любого Вашего проекта, будь то серийное производство или разработка единичного прибора.

В нашем ассортименте представлены ведущие мировые производители активных и пассивных электронных компонентов.

Нашей специализацией является поставка электронной компонентной базы двойного назначения, продукции таких производителей как XILINX, Intel (ex.ALTERA), Vicor, Microchip, Texas Instruments, Analog Devices, Mini-Circuits, Amphenol, Glenair.

Сотрудничество с глобальными дистрибьюторами электронных компонентов, предоставляет возможность заказывать и получать с международных складов практически любой перечень компонентов в оптимальные для Вас сроки.

На всех этапах разработки и производства наши партнеры могут получить квалифицированную поддержку опытных инженеров.

Система менеджмента качества компании отвечает требованиям в соответствии с ГОСТ Р ИСО 9001, ГОСТ РВ 0015-002 и ЭС РД 009

Офис по работе с юридическими лицами:

105318, г.Москва, ул.Щербаковская д.3, офис 1107, 1118, ДЦ «Щербаковский»

Телефон: +7 495 668-12-70 (многоканальный)

Факс: +7 495 668-12-70 (доб.304)

E-mail: info@moschip.ru

Skype отдела продаж:

moschip.ru

moschip.ru_4

moschip.ru_6

moschip.ru_9