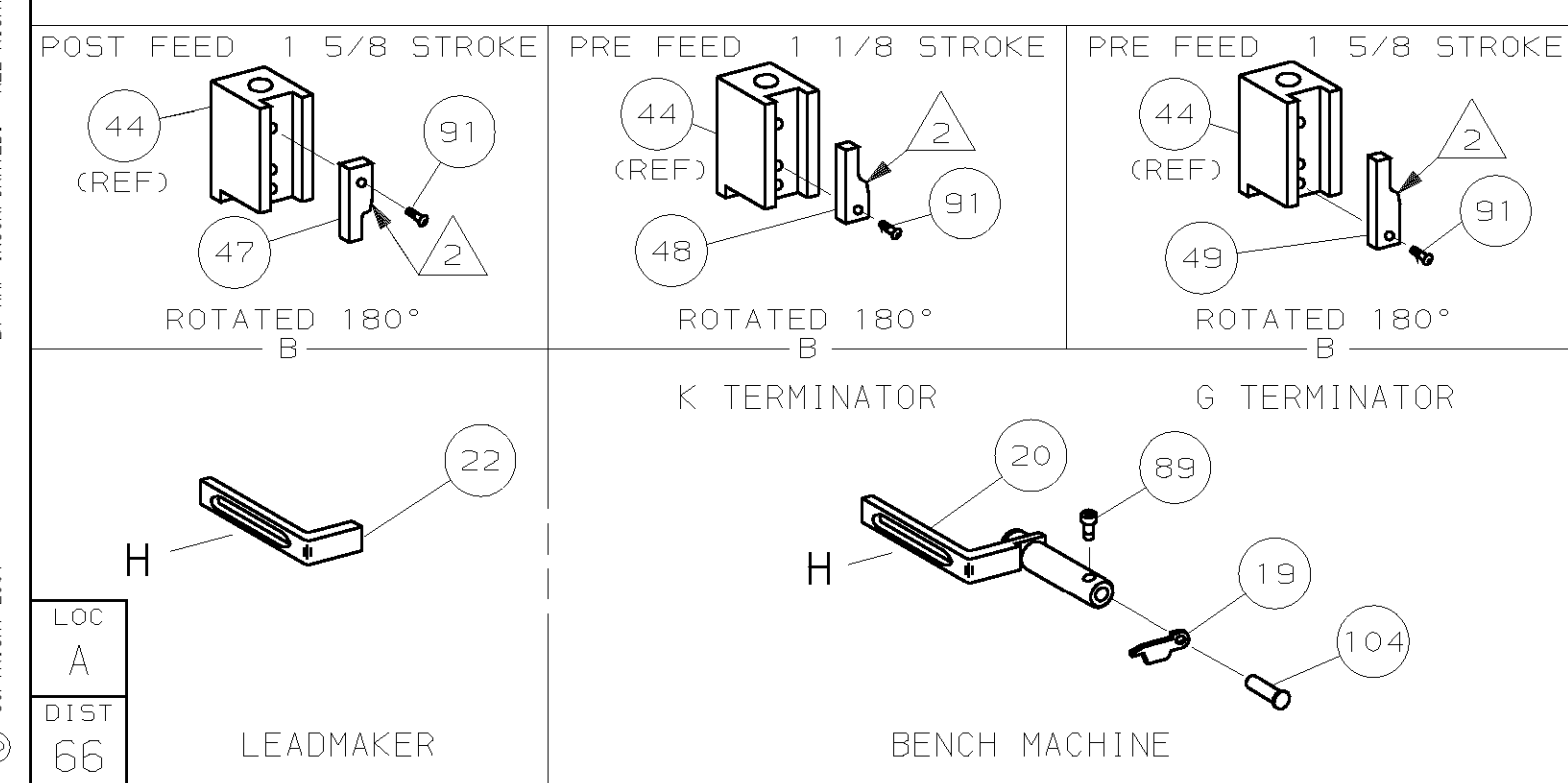
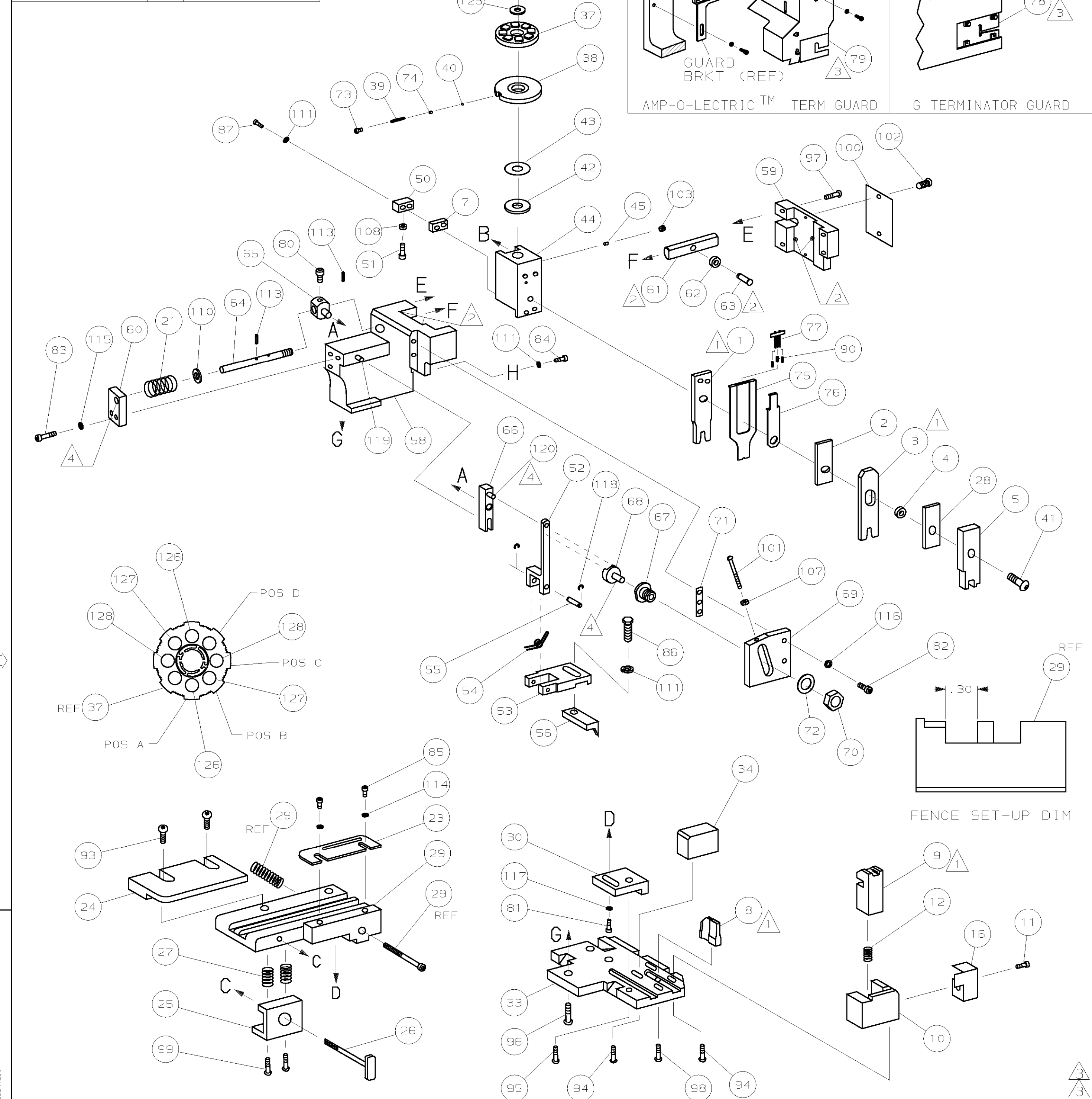


| PART NUMBER | REV | FIRST USED |
|-------------|-----|------------|
| 1385255-1 | B | 122500-1 |
| 1385255-2 | B | 565435-5 |
| 1385255-3 | B | 354500-1 |



- 1 RECOMMENDED SPARE PARTS.
- 2 GREASE LIGHTLY.
- 3 GUARD MUST BE IN PLACE WHEN OPERATING APPLICATOR IN A BENCH MACHINE.
- 4 LUBRICATE DAILY USING NO. 20 MACHINE OIL.
- 5. ITEMS WITH QTY OF REF SPECIFIED (EXCEPT ITEMS 78 AND 79) ARE USED ON ITEM 46.

| TERMINAL NAME: RECEPTACLE | | | |
|---------------------------|---------------------------|---------------------|--------------------------|
| 342414 | AMP TERMINAL | | AMP CRIMP SPECS |
| PAD LTR | CRIMP HEIGHT | WIRE SIZE | |
| A | .103 ±.002 [2.62 ±0.05mm] | 4.50mm ² | |
| B | .097 ±.002 [2.46 ±0.05mm] | 4.00mm ² | |
| C | .087 ±.002 [2.21 ±0.05mm] | 3.00mm ² | |
| D | NOT | USED | |
| CRIMP | SIZE | TYPE | RANGE |
| WIRE | .120 [3.05mm] | F | 3.00-4.50mm ² |
| INSUL | .240 [6.10mm] | F | 2.95-3.80mm |
| WIRE STRIP LENGTH | TERM APPL | SPEC | FEED |
| - | - | - | .664 |
| APPL INSTRUCTION | | SET UP GAGE | LAYOUT |
| 408-8040 | | 458637-1 | L2524 |

| QTY | REF | REF | REF | REF | REF | DESCRIPTION | ITEM NO | | |
|-------------------|-----|-----|-----|------------|-----|-------------|--------------------------------------|---------|--|
| 2 | 2 | 2 | - | C | | 6-354778-7 | PIN, WIRE DISC (.2830)C 129 | | |
| 2 | 2 | 2 | - | C | | 4-354778-6 | PIN, WIRE DISC (.2725)B 127 | | |
| 2 | 2 | 2 | - | C | | 3-354778-4 | PIN, WIRE DISC (.2665)A 126 | | |
| 1 | 1 | 1 | - | A | | 986950-1 | WASHER, FLAT PRECISION 125 | | |
| 1 | 1 | 1 | - | A | | 217238-1 | GENERAL INSTRUCTION PACKAGE 124 | | |
| 1 | 1 | 1 | - | - | | 4088040 | SF APPL INST 408-8040 123 | | |
| | | | | | | | 122 | | |
| | | | | | | | 121 | | |
| REF | REF | REF | - | A | | 1-21030-1 | PIN, DOWEL (Ø.187x.50)LEVER 120 | | |
| REF | REF | REF | - | A | | 1-21030-6 | PIN, DOWEL (Ø.187x1.25)HOUSING 119 | | |
| REF | REF | REF | - | A | | 21045-3 | RING, RET "C" (Ø.187)FD FING PIN 118 | | |
| 1 | 1 | 1 | - | A | | 21024-5 | WASHER, LOCK (#10)ADJ BLOCK 117 | | |
| REF | REF | REF | - | A | | 21024-5 | WASHER, LOCK (#10)ADJ PLATE 116 | | |
| REF | REF | REF | - | A | | 21024-5 | WASHER, LOCK (#10)FEED GDE ROD 115 | | |
| 2 | 2 | 2 | - | A | | 21024-2 | WASHER, LOCK (#4)FRONT STP GUIDE 114 | | |
| REF | REF | REF | - | A | | 5-21028-1 | PIN, SLT 5PR (Ø.125x.50)ADJ ROD 113 | | |
| | | | | | | | 112 | | |
| 4 | 4 | 4 | - | A | | 21024-4 | WASHER, LOCK (#8)STRIPPER 111 | | |
| REF | REF | REF | - | A | | 21899-4 | WASHER, FLAT (Ø5/16)SCREW ADJ 110 | | |
| | | | | | | | 109 | | |
| 1 | 1 | 1 | - | A | | 21018-5 | NUT, HEX (NO. 6)HOLDDOWN 108 | | |
| REF | REF | REF | - | A | | 21068-5 | NUT, HEX (6-32)FEED ADJ 107 | | |
| | | | | | | | 106 | | |
| | | | | | | | 105 | | |
| 1 | 1 | - | - | A | | 992031-1 | PIN, CLEVIS 104 | | |
| 1 | 1 | 1 | - | A | | 21009-2 | SCR, 5KT SET (1/4-20x.25 LW)RAM 103 | | |
| 2 | 2 | 2 | - | A | | 21017-2 | SCR, DRIVE (#2x.19)ID PLATE 102 | | |
| REF | REF | REF | - | A | | 6-23715-5 | SCR, PAN HD (6-32x1.50)FEED ADJ 101 | | |
| 1 | 1 | 1 | - | B | | 461264-1 | PLATE, IDENTIFICATION 100 | | |
| 2 | 2 | 2 | - | A | | 3-21002-0 | SCR, BHC (10-32x.88)DRAG 99 | | |
| 1 | 1 | 1 | - | A | | 22733-8 | SCR, BHC (8-32x.38 LW)ANVIL 98 | | |
| REF | REF | REF | - | A | | 2-21002-9 | SCR, BHC (10-32x.75)CAP 97 | | |
| REF | REF | REF | - | A | | 2-22733-8 | SCR, BHC (1/4-20x.62)HOUSING 96 | | |
| REF | REF | REF | - | A | | 2-21002-7 | SCR, BHC (10-32x.50)5G ADJ BLOCK 95 | | |
| 4 | 4 | 4 | - | A | | 2-21002-2 | SCR, BHC (8-32x.50)TERM H DWN 94 | | |
| 2 | 2 | 2 | - | A | | 2-21002-3 | SCR, BHC (8-32x.75)R STP GDE 93 | | |
| | | | | | | | 92 | | |
| 1 | 1 | 1 | - | A | | 1-21002-7 | SCR, BHC (6-32x.38)CAM 91 | | |
| 3 | 3 | 3 | - | A | | 2-32147-3 | SPRING, DEPRESSOR 90 | | |
| 1 | 1 | - | - | A | | 7-21000-9 | SCR, SHC (4-40x.19)STRIPPER 89 | | |
| | | | | | | | 88 | | |
| 2 | 2 | 2 | - | A | | 2-21000-9 | SCR, SHC (8-32x.62)DEP-HOLD 87 | | |
| 1 | 1 | 1 | - | A | | 2-22603-0 | SCR, HEX HD (8-32x.31)FEED FINGER 86 | | |
| 2 | 2 | 2 | - | A | | 1-21000-3 | SCR, SHC (4-40x.25)F ST GUIDE 85 | | |
| 1 | 1 | 1 | - | A | | 2-21000-7 | SCR, SHC (8-32x.50)STRIPPER 84 | | |
| REF | REF | REF | - | A | | 3-21000-7 | SCR, SHC (10-32x.75)FEED ROD 6D 83 | | |
| REF | REF | REF | - | A | | 3-21000-6 | SCR, SHC (10-32x.62)FD ADJ BLK 82 | | |
| 1 | 1 | 1 | - | A | | 3-21000-4 | SCR, SHC (10-32x.38)5G ADJ BL 81 | | |
| REF | REF | REF | - | A | | 3-21000-4 | SCR, SHC (10-32x.38)PIVOT BLK 80 | | |
| - | REF | - | - | B | | 455749-1 | GUARD, WINDOW 79 | | |
| REF | - | - | - | B | | 679532-1 | INSERT, GUARD 78 | | |
| 1 | 1 | 1 | - | - | | 1424350-1 | HOLDER, PIN 77 | | |
| 1 | 1 | 1 | - | A2 | | 1490524-2 | SPACER, DEPRESSOR 76 | | |
| 1 | 1 | 1 | - | A1 | | 1490525-1 | DEPRESSOR 75 | | |
| 1 | 1 | 1 | - | A | | 690603-1 | SPRING, ASSIST 74 | | |
| 1 | 1 | 1 | - | A | | 23030-1 | SCR, SHC (6-32x.25 SL)INS DISC 73 | | |
| REF | REF | REF | - | A | | 458109-1 | WASHER, SPECIAL 72 | | |
| REF | REF | REF | - | A | | 690517-1 | SPACER 71 | | |
| -3 | -2 | -1 | U/M | DWG SIZE | | PART NO | DESCRIPTION | ITEM NO | |
| | | | | | | | | | |
| QTY REOD PER ASSY | | | | PARTS LIST | | | | | |

| QTY | REF | REF | REF | REF | REF | DESCRIPTION | ITEM NO | | |
|-------------------|-----|-----|-----|------------|-----|---------------|--------------------------------|---------|--|
| -1 | | | | | | LEADMAKER | | | |
| -2 | | | | | | BENCH MODEL K | | | |
| -3 | | | | | | BENCH MODEL G | | | |
| REF | REF | REF | - | B | | 22594-8 | NUT, HEX (1/2-20) 70 | | |
| REF | REF | REF | - | B | | 240628-1 | PLATE, ADJUSTMENT 69 | | |
| REF | REF | REF | - | B | | 240626-1 | SHAFT, PIVOT 68 | | |
| REF | REF | REF | - | B | | 240633-1 | BUSHING 67 | | |
| REF | REF | REF | - | A | | 455680-1 | LEVER, INTERMEDIATE 66 | | |
| REF | REF | REF | - | B | | 240629-1 | BLOCK, PIVOT 65 | | |
| REF | REF | REF | - | A | | 240632-2 | SCREW, ADJ FEED ROD 64 | | |
| REF | REF | REF | - | B | | 240659-3 | PIN, CAM ROLLER 63 | | |
| REF | REF | REF | - | B | | 240658-1 | ROLLER, CAM 62 | | |
| REF | REF | REF | - | B | | 454398-2 | ROD, FEED 61 | | |
| REF | REF | REF | - | A | | 454178-1 | GUIDE, FEED ROD 60 | | |
| REF | REF | REF | - | C | | 454220-1 | CAP, RAM 59 | | |
| REF | REF | REF | - | D | | 454485-1 | HOUSING 58 | | |
| | | | | | | | 57 | | |
| 1 | 1 | 1 | - | B | | 458537-2 | PAWL, FEED 56 | | |
| REF | REF | REF | - | B | | 240624-1 | PIN, FEED FINGER 55 | | |
| REF | REF | REF | - | B | | 691499-1 | SPRING, FEED FINGER 54 | | |
| REF | REF | REF | - | B | | 690541-1 | HOLDER, FEED FINGER 53 | | |
| REF | REF | REF | - | A | | 455679-2 | LEVER, TERMINAL FEED ARM 52 | | |
| 1 | 1 | 1 | - | A | | 811242-2 | BUMPER, HOLDDOWN 51 | | |
| 1 | 1 | 1 | - | A | | 690753-1 | SPACER, TONKER 50 | | |
| 1 | - | - | - | B | | 690602-6 | CAM, PRE-FEED 1 5/8 ST 49 | | |
| - | 1 | - | - | B | | 690602-5 | CAM, PRE-FEED 1 1/8 ST 48 | | |
| - | - | 1 | - | B | | 690501-4 | CAM, POST-FEED 1 5/8 ST 47 | | |
| 1 | 1 | 1 | - | B | | 459456-2 | APPLICATOR, BASIC (SUBASSY) 46 | | |
| 1 | 1 | 1 | - | A | | 690191-1 | PLUG, NYLON 45 | | |
| 1 | 1 | 1 | - | C | | 455673-1 | RAM 44 | | |
| 1 | 1 | 1 | - | A | | 690125-1 | WASHER, LAMINATED 43 | | |
| 1 | 1 | 1 | - | A | | 690124-1 | WASHER, RAM 42 | | |
| 1 | 1 | 1 | - | A | | 7-21002-9 | BOLT, CRIMPER (5/16x1.00) 41 | | |
| 1 | 1 | 1 | - | A | | 23241-6 | BALL, STEEL 40 | | |
| 1 | 1 | 1 | - | A | | 690170-1 | SPRING, COMPRESSION 39 | | |
| 1 | 1 | 1 | - | C | | 1-690142-0 | DISC, INSULATION 38 | | |
| 1 | 1 | 1 | - | D | | 354777-1 | WIRE DISC, PLASTIC 37 | | |
| 1 | 1 | 1 | - | A | | 22480-5 | WASHER, SPRING 36 | | |
| 1 | 1 | 1 | - | B | | 690212-1 | POST, RAM 35 | | |
| 1 | 1 | 1 | - | B | | 1-690786-4 | SUPPORT, TERMINAL 34 | | |
| REF | REF | REF | - | D | | 455675-1 | PLATE, BASE 33 | | |
| | | | | | | | 32 | | |
| | | | | | | | 31 | | |
| REF | REF | REF | - | B | | 455689-1 | BLOCK, STRIP GUIDE ADJ 30 | | |
| 1 | 1 | 1 | - | C | | 318042-1 | STRIP GUIDE PLATE ASSY 29 | | |
| 1 | 1 | 1 | - | C | | 1-455888-0 | SPACER, FRONT SHEAR DEP 28 | | |
| 2 | 2 | 2 | - | A | | 1-22284-0 | SPRING, DRAG 27 | | |
| 1 | 1 | 1 | - | B | | 690546-1 | LEVER, DRAG RELEASE 26 | | |
| 1 | 1 | 1 | - | B | | 240792-1 | DRAG, TERMINAL 25 | | |
| 1 | 1 | 1 | - | D | | 6-690504-9 | GUIDE, STRIP (REAR) 24 | | |
| 1 | 1 | 1 | - | A | | 690438-1 | GUIDE, STRIP (FRONT) 23 | | |
| - | - | 1 | - | B | | 690472-2 | STRIPPER 22 | | |
| REF | REF | REF | - | A | | 4-22284-9 | SPRING, FEED RETURN 21 | | |
| 1 | 1 | - | - | A | | 679218-1 | STRIPPER WIRE STOP ASSY 20 | | |
| 1 | 1 | - | - | B | | 458949-1 | STRIPPER 19 | | |
| | | | | | | | 18 | | |
| | | | | | | | 17 | | |
| 1 | 1 | 1 | - | B | | 318563-1 | GUARD, CHIP, FRONT 16 | | |
| | | | | | | | 15 | | |
| | | | | | | | 14 | | |
| | | | | | | | 13 | | |
| 1 | 1 | 1 | - | A | | 5-22280-0 | SPRING, SHEAR 12 | | |
| 1 | 1 | 1 | - | B | | 690461-2 | STOP, SHEAR 11 | | |
| 1 | 1 | 1 | - | C | | 1-690459-0 | HOLDER, SHEAR (FRONT) 10 | | |
| 1 | 1 | 1 | - | C | | 454276-5 | SHEAR, FLOAT (FRONT) 9 | | |
| 1 | 1 | 1 | - | C | | 1-662190-2 | ANVIL 8 | | |
| 1 | 1 | 1 | - | C | | 2-240641-9 | SPACER, DEPRESSOR (REAR) 7 | | |
| | | | | | | | 6 | | |
| 1 | 1 | 1 | - | C | | 1-455888-7 | DEPRESSOR, SHEAR (FRONT) 5 | | |
| 1 | 1 | 1 | - | B | | 238011-6 | SPACER, BLOCK CRIMPER 4 | | |
| 1 | 1 | 1 | - | C | | 4-1213077-8 | CRIMPER, INSULATION 3 | | |
| 1 | 1 | 1 | - | C | | 455888-7 | SPACER, CRIMPER 2 | | |
| 1 | 1 | 1 | - | C | | 1-456409-0 | CRIMPER, WIRE 1 | | |
| -3 | -2 | -1 | U/M | DWG SIZE | | PART NO | DESCRIPTION | ITEM NO | |
| | | | | | | | | | |
| QTY REOD PER ASSY | | | | PARTS LIST | | | | | |

Данный компонент на территории Российской Федерации

Вы можете приобрести в компании MosChip.

Для оперативного оформления запроса Вам необходимо перейти по данной ссылке:

<http://moschip.ru/get-element>

Вы можете разместить у нас заказ для любого Вашего проекта, будь то серийное производство или разработка единичного прибора.

В нашем ассортименте представлены ведущие мировые производители активных и пассивных электронных компонентов.

Нашей специализацией является поставка электронной компонентной базы двойного назначения, продукции таких производителей как XILINX, Intel (ex.ALTERA), Vicor, Microchip, Texas Instruments, Analog Devices, Mini-Circuits, Amphenol, Glenair.

Сотрудничество с глобальными дистрибьюторами электронных компонентов, предоставляет возможность заказывать и получать с международных складов практически любой перечень компонентов в оптимальные для Вас сроки.

На всех этапах разработки и производства наши партнеры могут получить квалифицированную поддержку опытных инженеров.

Система менеджмента качества компании отвечает требованиям в соответствии с ГОСТ Р ИСО 9001, ГОСТ РВ 0015-002 и ЭС РД 009

Офис по работе с юридическими лицами:

105318, г.Москва, ул.Щербаковская д.3, офис 1107, 1118, ДЦ «Щербаковский»

Телефон: +7 495 668-12-70 (многоканальный)

Факс: +7 495 668-12-70 (доб.304)

E-mail: info@moschip.ru

Skype отдела продаж:

moschip.ru

moschip.ru_4

moschip.ru_6

moschip.ru_9