

Type 31 Series

Key Features

- Versatile Design can be Customised to Suit Your Requirements
- SPST Switch Style
- Low Cost Twist Tab Model
- PC Mounting Bracket
- Insulated Shafts Up To 50mm
- Non Linear Laws
- Available with Choice of Bush Styles
- Eyelet or PC Terminations



TE Connectivity will customize these neat 16mm diameter control potentiometers to suit your requirements. They comprise a printed carbon resistance element with 0.25 W current handling and are available with various bush, termination and spindle styles.

As an additional feature, the range includes a twist tab design with mounting bracket applications for use where low price is an important consideration.

Characteristics - Electrical

Resistance Range (Law):	1K Ohm to 1M Ohm Linear 4K7 to 470K (Non Linear)
Resistance Values:	1, 2.2 and 4.7 per decade
Resistance Tolerance:	± 20% (± 10% by selection)
Rated Dissipation at 40°C:	0.25W (Linear), 0.125W (Non Linear)
Limiting Element Voltage:	350Vdc or ac RMS
Electrical Rotation:	267° NOM without switch, 240° NOM with switch
Terminal Resistance:	5 Ohms, Max.
Noise (ENR):	2% Max. (Linear), 3% Max. (Non Linear)
Insulation Resistance:	4 G Ohms Min.
Voltage Proof:	500 Vac peak

Characteristics - Mechanical

Operating Torque:	15 mNm, Max.
Mechanical Rotation:	270° Nominal
End Stop Torque:	350 mNm, Max.

Characteristics - Environmental

Limits of Resistance Change:	15% (After 1000 hours endurance)
Temperature characteristics of resistance (20°C to 70°C):	5%
Bump Severity:	390m/s ² , 4000 Bumps
Vibration Severity:	10 - 500 Hz, 0.75mm or 98m/s ²
Climatic Category:	8 days @ 36°C 82% RH DR < 15%
Mechanical Endurance:	15000 Operations (Min)

Type 31 Series

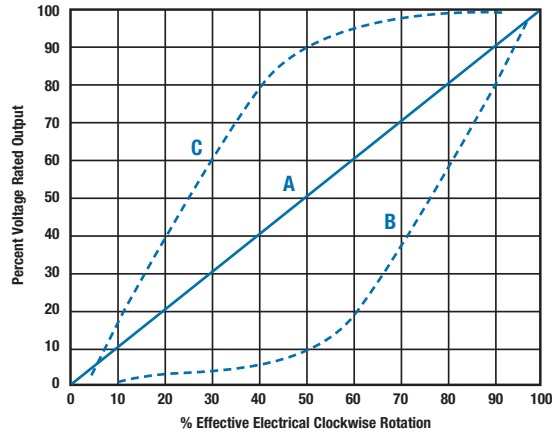
DIY Design

The 31 Series can be customised to suit your individual requirements with features such as detent action, track centre tap etc.

Please call our technical sales team to discuss variations on these 16mm diameter devices.

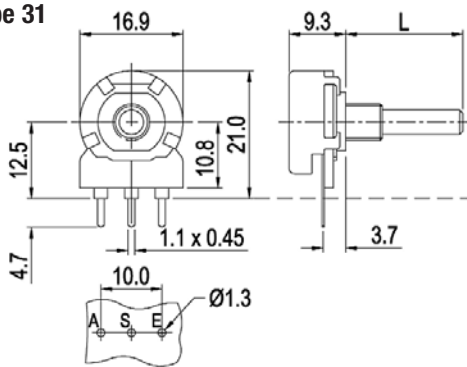
Resistance Laws

A - Linear
B - Log
C - Inverse Log

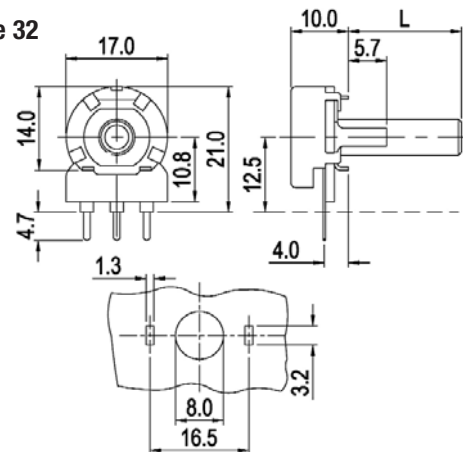


Dimensions

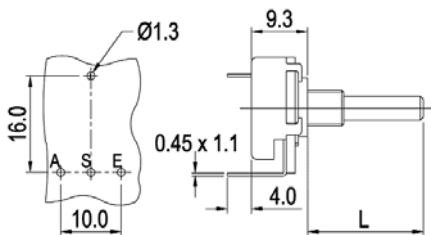
Type 31



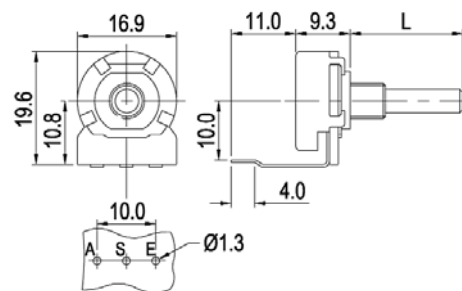
Type 32



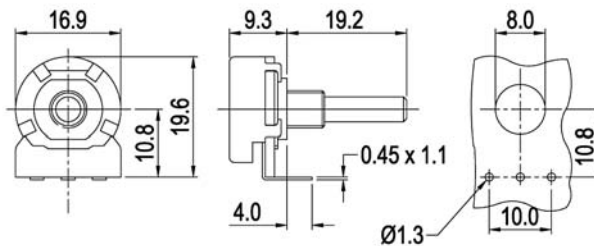
Type 34 (Non Switched only)



Type 35 (Non Switched only)

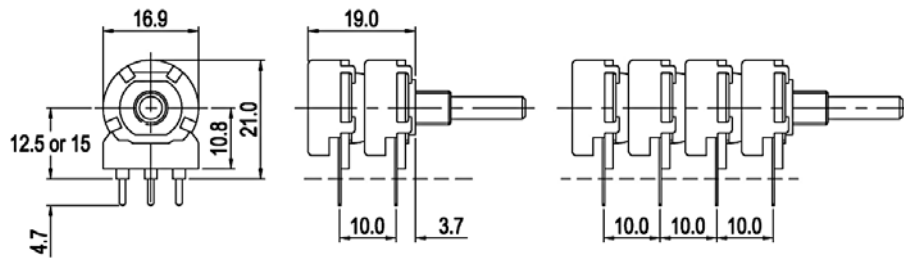


Type 36

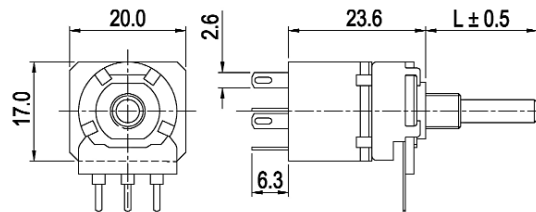


Type 31 Series

Multi Ganged Types



Switched Types



How to Order

31	E	X	A	104	M	W	B	25	B
Potentiometer Type	Customer Identity		Resistance Value		Bush Details		Shaft Length		
31 - Std Spindle Style 32 - No Bush Mtg Bracket 33 - Spindle with Integ Knurled Knob 4mm State Colour 34 - Rev Mount with mounting pin and PC terminals swept down to board 35 - Rev Mount with PC Terminals swept down to board. No terminal on case 36 - Forward mount with PC pins swept forward to parallel to shaft 37 - Dual gang style single shaft same value / tol on each section 38 - Single Spindle Pot with centre detent	S- Standard X - Customer Special See Drawing (provide copy with order)		The first two digits are significant figures of resistance value and the third denotes the number of zeros following. e.g. 4.7K Ohms: 472 22K Ohms: 223 100K Ohms: 104		N - Black plastic 8mm A/F - M10 with 4mm hole P - Diecast M7 x 6mm 4mm hole S - Diecast M10 x 8mm 6.35mm hole T - Diecast M7 x 9mm 4mm hole U - No Bush V - Diecast M10 x 8mm 6mm hole W - Black plastic M10 8mm M10 6mm hole		FMF in mm Standard Lengths are 15, 20, 25 and 50mm		
Termination Style	Resistor Law		Resistance Tolerance		Shaft Style		Switch Details		
E - Std Eyelet P - Std PC 12.5mm MH R - Long PC 15mm MH X - Extra long for rear PC Mtg S - PC bend forward at 90°	A - Linear B - Log C - Inv. Log		K - 10% M - 20%		A - Plain 6mm B - Slotted 6mm C - Flatted 6mm (5mm A/F) D - Flatted 6mm deep flat 4mm A/F E - Plain 4mm F - Full 6.35mm flat - special angle G - Flatted 4mm H - Plain 6.35mm J - Flatted 6.35mm (4.6mm A/F)		A - DPST - Demko approved 4A/250V AC B - SPST - Eyelet Termination C - DPDT - Changeover Switch T - SPST - PC Push Switch		

TE Connectivity, TE connectivity (logo) and TE (logo) are trademarks.
 Other logos, product and Company names mentioned herein may be trademarks of their respective owners.

While TE has made every reasonable effort to ensure the accuracy of the information in this datasheet, TE does not guarantee that it is error-free, nor does TE make any other representation, warranty or guarantee that the information is accurate, correct, reliable or current. TE reserves the right to make any adjustments to the information contained herein at any time without notice. TE expressly disclaims all implied warranties regarding the information contained herein, including, but not limited to, any implied warranties of merchantability or fitness for a particular purpose. The dimensions in this datasheet are for reference purposes only and are subject to change without notice. Specifications are subject to change without notice. Consult TE for the latest dimensions and design specifications.

Данный компонент на территории Российской Федерации

Вы можете приобрести в компании MosChip.

Для оперативного оформления запроса Вам необходимо перейти по данной ссылке:

<http://moschip.ru/get-element>

Вы можете разместить у нас заказ для любого Вашего проекта, будь то серийное производство или разработка единичного прибора.

В нашем ассортименте представлены ведущие мировые производители активных и пассивных электронных компонентов.

Нашей специализацией является поставка электронной компонентной базы двойного назначения, продукции таких производителей как XILINX, Intel (ex.ALTERA), Vicor, Microchip, Texas Instruments, Analog Devices, Mini-Circuits, Amphenol, Glenair.

Сотрудничество с глобальными дистрибьюторами электронных компонентов, предоставляет возможность заказывать и получать с международных складов практически любой перечень компонентов в оптимальные для Вас сроки.

На всех этапах разработки и производства наши партнеры могут получить квалифицированную поддержку опытных инженеров.

Система менеджмента качества компании отвечает требованиям в соответствии с ГОСТ Р ИСО 9001, ГОСТ РВ 0015-002 и ЭС РД 009

Офис по работе с юридическими лицами:

105318, г.Москва, ул.Щербаковская д.3, офис 1107, 1118, ДЦ «Щербаковский»

Телефон: +7 495 668-12-70 (многоканальный)

Факс: +7 495 668-12-70 (доб.304)

E-mail: info@moschip.ru

Skype отдела продаж:

moschip.ru

moschip.ru_4

moschip.ru_6

moschip.ru_9