

EC10E 10mm Size Through Shaft Type

A series of compact and long-life encoders with unique through shaft design



Encoders



Typical Specifications

| Items | Specifications |
|-----------------------------|--|
| Rating | 1mA 5V DC |
| Operating life | 100,000 cycles |
| Operating temperature range | -5°C to +45°C -40°C to +85°C (For Automotive) |

Product Line

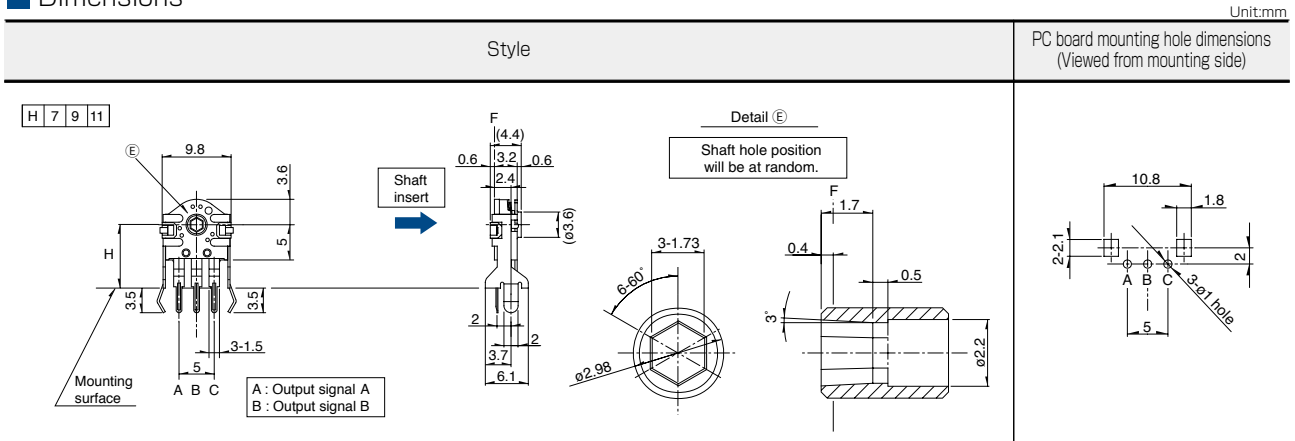
| Mount height H(mm) | Detent torque (mN·m) | Number of detent | Number of pulse | Operating direction | Minimum order unit (pcs.) | | Product No. |
|--------------------|----------------------|---------------------|-----------------|---------------------|---------------------------|--------|---------------------|
| | | | | | Japan | Export | |
| 7 | 5±3 | 24 | 12 | Horizontal | 3,200 | 3,200 | EC10E1220505 |
| 9 | | | | | | | EC10E1220501 |
| 11 | | | | | | | EC10E1220503 |
| 7 | 6±3 | 12 | 24 | | | | EC10E1260502 |
| 11 | | EC10E1260507 | | | | | |

Packing Specifications

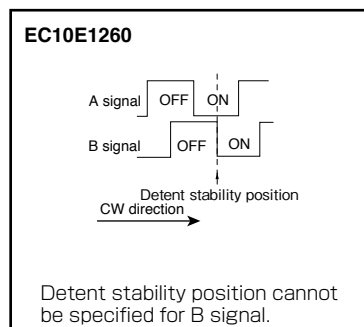
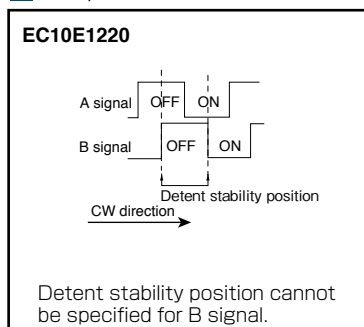
Bulk

| Number of packages (pcs.) | | Export package measurements (mm) |
|---------------------------|------------------------|----------------------------------|
| 1 case /Japan | 1 case /export packing | |
| 3,200 | 3,200 | 374×254×166 |

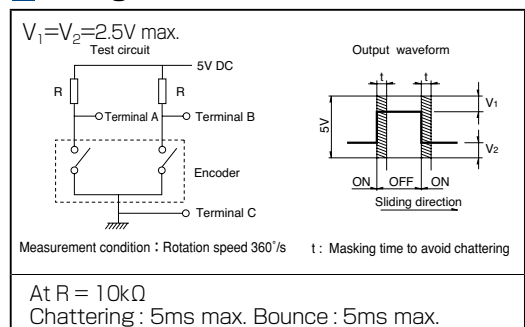
Dimensions



Output Wave











Sliding Noise



Encoders

List of Varieties

| Type | | Through shaft type | | | Ring type | | | |
|------------------------------------|--|---|---------------------|---|---|---|--|--|
| | | 5mm size | | 10mm size | 21mm size | | | |
| Series | | EC05E | | EC10E | EC21A | EC21C | | |
| Photo | |  | |  |  |  | | |
| Output | | Incremental (Two phase A and B) | | | | | | |
| Shaft types | | Through shaft | | | Ring type | | | |
| Operating direction | | Vertical | Horizontal | Horizontal | — | — | | |
| Number of pulse / Number of detent | | 12/12 | | 12/24 12/12 | 9/18 15/30 | 15/30 | | |
| Features | | Surface mount type | | — | — | — | | |
| Dimensions (mm) | | W | 5.7 | 7.5 | 9.8 | 21.6 | 22 | |
| | | D | 6 | 3.3 | 4.4 | — | 21.6 | |
| | | H | 2.7 | 7.25 | 10.6/12.6/14.6 | — | 4 | |
| Operating temperature range | | -30°C to +85°C | | -5°C to +45°C -40°C to +85°C (For Automotive) | -40°C to +85°C | | | |
| Operating life | | 100,000 cycles | | | 50,000 cycles | | | |
| Automotive use | | — | — | ○ | ● | ● | | |
| Life cycle (availability) | |  | |  |  |  | | |
| Electrical performance | | Rating | 0.55mA 5.5V DC | | 1mA 5V DC | 10mA 5V DC | | |
| | | Max./min. operating current (Resistive load) | 0.55mA / — | | — | 10mA / 1mA | | |
| | | Insulation resistance | 50MΩ min. 50V DC | | | | 100MΩ min. 250V DC | |
| | | Voltage proof | 50V AC for 1 minute | | | 300V AC for 1minute or 360V AC for 2s | 300V AC for 1minute or 360V AC for 1s | |
| Mechanical performance | | Rotational torque (Without detent) | — | — | — | — | | |
| | | Detent torque | 1.6±1.3mN·m | 5±3mN·m 6±3mN·m | 7±5mN·m 12±5mN·m 16±7mN·m | 17±8mN·m (Initial) 12±4mN·m (After reflow) | | |
| | | Push-pull strength | — | — | 100N | | | |
| Shaft configuration | | Through shaft | | | Ring type | | | |
| Terminal type | | Reflow | Insertion | Insertion | | | | |
| Switch Specifications | | Switch type | — | — | — | — | | |
| | | Contact arrangement | — | — | — | — | | |
| | | Travel (mm) | — | — | — | — | | |
| | | Operating force (N) | — | — | — | — | | |
| | | Rating | — | — | — | — | | |
| | | Contact resistance | — | — | — | — | | |
| | | Operating life | — | — | — | — | | |
| Page | | 282 | | 284 | 285 | | | |

| | |
|-------------------------------|-----|
| Encoders Soldering Conditions | 299 |
| Encoders Cautions | 300 |

Notes

- The operating temperature range for automotive applications can be raised upon Request. Please contact us for details.
- Indicates applicability to all products in the series, while ○ indicates applicability to some products in the series.

Reference for Manual Soldering

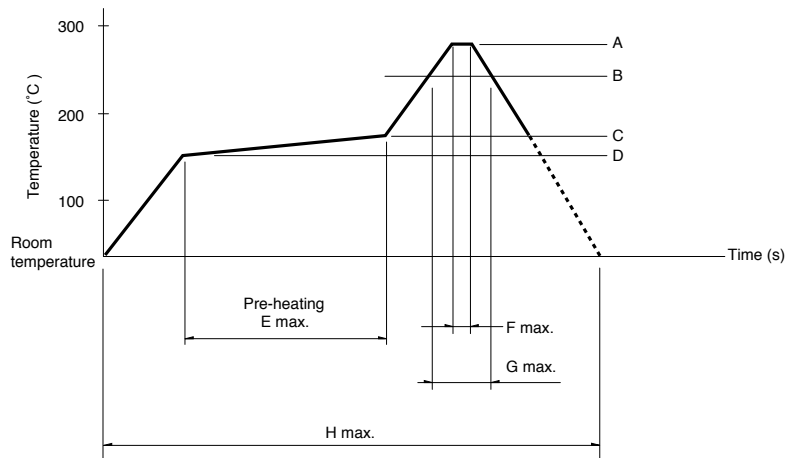
| Series | Tip temperature | Soldering time | No. of solders |
|---|-----------------|--------------------------------|----------------|
| EC05E, EC09E, EC10E, EC111, EC11B, EC11E, EC11G, EC11K, EC11M, EC11N, EC12D, EC12E, EC18A, EC21A, EC28A, EC35A, EC35AH, EC40A, EC45A, EC50A, EC60B, EM11B, EC21C, EC28C, EC35CH | 350°C max. | 3s max. | 1 time |
| EC11J | 350±10°C | 3 ⁺¹ ₀ s | 2 times |

Reference for Dip Soldering

| Series | Preheating | | Dip soldering | | No. of solders |
|--|-------------------------------|--------------|-----------------------|----------------|----------------|
| | Soldering surface temperature | Heating time | Soldering temperature | Soldering time | |
| EC09E, EC11B, EC111, EC11E, EC11G, EC11K, EC11M, EC11N, EC18A, EC21A, EC28A, EC35A, EC35AH, EC50A, EC60B | 100°C max. | 2 min. max. | 260±5°C | 5±1s | 2 times max. |
| EM11B | 100°C max. | 1 min. max. | 260°C max. | 3s max. | 2 times max. |
| EC10E, EC12D, EC12E | 100°C max. | 1 min. max. | 260±5°C | 3±1s | 2 times max. |
| EC40A | 110°C max. | 1 min. max. | 260°C max. | 10s max. | 1 time |
| EC45A | 100°C max. | 2 min. max. | 260°C max. | 5s max. | 2 times max. |

Example of Reflow Soldering Condition

Temperature profile



| Series | A | B | C | D | E | F | G | H | No. of reflows |
|---------------|----------------|------------|-------|-------|-------------|----|------------|-------------|----------------|
| EC11J | 260°C | 230°C | 180°C | 150°C | 2 min. max. | 3s | 40s | 4 min. max. | 2 times max. |
| EC05E | 250°C min. | 230°C min. | 180°C | 150°C | 60s to 120s | — | 30s to 40s | — | 2 times max. |
| EC21C | 230°C to 245°C | 220°C | 200°C | 150°C | 60s to 120s | — | 25s to 60s | 300s max. | 1 time max. |
| EC28C, EC35CH | 260°C | 230°C | 180°C | 150°C | 2 min. min. | 3s | 40s | 230s max. | 1 time max. |

Notes

- When using an infrared reflow oven, solder may sometimes not be applied. Be sure to use a hot air reflow oven or a type that uses infrared rays in combination with hot air.
- The temperatures given above are the maximum temperatures at the terminals of the encoder when employing a hot air reflow method. The temperature of the PC board and the surface temperature of the encoder may vary greatly depending on the PC board material, its size and thickness. Ensure that the surface temperature of the encoder does not rise to 250°C or greater.
- Conditions vary to some extent depending on the type of reflow bath used. Be sure to give due consideration to this prior to use.

Данный компонент на территории Российской Федерации

Вы можете приобрести в компании MosChip.

Для оперативного оформления запроса Вам необходимо перейти по данной ссылке:

<http://moschip.ru/get-element>

Вы можете разместить у нас заказ для любого Вашего проекта, будь то серийное производство или разработка единичного прибора.

В нашем ассортименте представлены ведущие мировые производители активных и пассивных электронных компонентов.

Нашей специализацией является поставка электронной компонентной базы двойного назначения, продукции таких производителей как XILINX, Intel (ex.ALTERA), Vicor, Microchip, Texas Instruments, Analog Devices, Mini-Circuits, Amphenol, Glenair.

Сотрудничество с глобальными дистрибьюторами электронных компонентов, предоставляет возможность заказывать и получать с международных складов практически любой перечень компонентов в оптимальные для Вас сроки.

На всех этапах разработки и производства наши партнеры могут получить квалифицированную поддержку опытных инженеров.

Система менеджмента качества компании отвечает требованиям в соответствии с ГОСТ Р ИСО 9001, ГОСТ РВ 0015-002 и ЭС РД 009

Офис по работе с юридическими лицами:

105318, г.Москва, ул.Щербаковская д.3, офис 1107, 1118, ДЦ «Щербаковский»

Телефон: +7 495 668-12-70 (многоканальный)

Факс: +7 495 668-12-70 (доб.304)

E-mail: info@moschip.ru

Skype отдела продаж:

moschip.ru

moschip.ru_4

moschip.ru_6

moschip.ru_9