

PLEASE CHECK WWW.MOLEX.COM FOR LATEST PART INFORMATION

Part Number: [0685610014](#)
Status: **Active**
Overview: serial_ata_products
Description: 1.27mm (.050") Pitch, Serial ATA Straight Latching-to-Straight Latching Signal Cable Assembly, 0.50m (1.64') Length, Red, Leadfree

Documents:

[Drawing \(PDF\)](#) [RoHS Certificate of Compliance \(PDF\)](#)

General

Product Family	Cable Assemblies
Series	68561
Comments	Generation 2 (300MB/s)
Connector to Connector	Serial ATA-to-Serial ATA
Overview	serial_ata_products
Product Name	Serial ATA

Physical

Cable Length	0.50m (1.64')
Circuits (Loaded)	7
Color - Resin	Black, Natural
Gender	Female-Female
Lock to Mating Part	Yes
Material - Metal	Stainless Steel
Material - Resin	Low Density Polyethylene, Polyester
Packaging Type	Bag
Pitch - Mating Interface (in)	0.050 In
Pitch - Mating Interface (mm)	1.27 mm
Single Ended	No
Termination Interface: Style	Surface Mount
Wire Insulation Diameter	N/A
Wire Size AWG	26
Wire/Cable Type	PVC

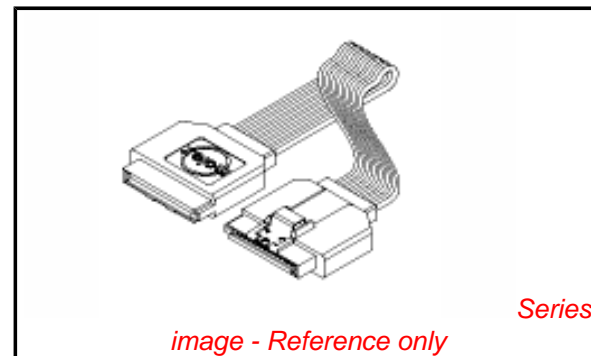
Electrical

Current - Maximum per Contact	1.5A
Impedance	100 ohms
Shielded	Yes
Voltage - Maximum	40V

Material Info

Reference - Drawing Numbers

Sales Drawing SD-68561-001, SD-68561-0014



EU RoHS

ELV and RoHS Compliant
REACH SVHC
 Not Reviewed
Halogen-Free Status
 Not Reviewed

China RoHS



Need more information on product environmental compliance?

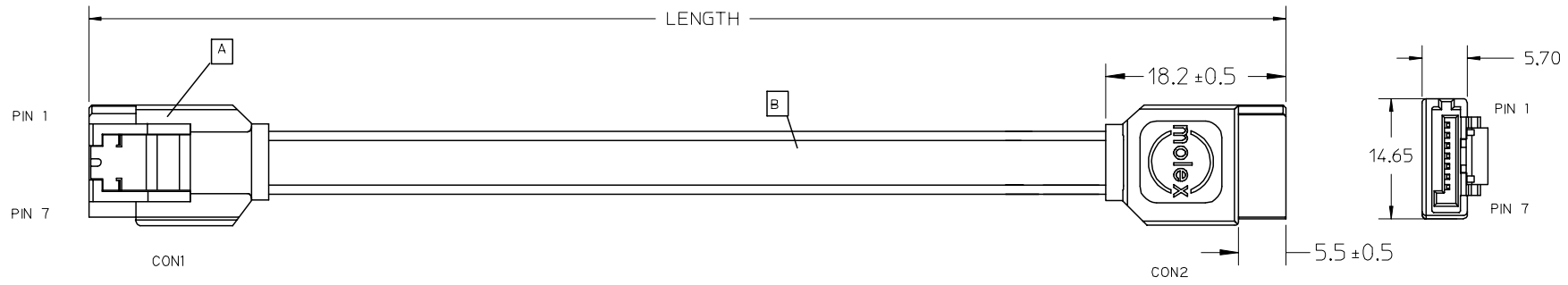
Email productcompliance@molex.com
 For a multiple part number RoHS Certificate of Compliance, [click here](#)

Please visit the [Contact Us](#) section for any non-product compliance questions.

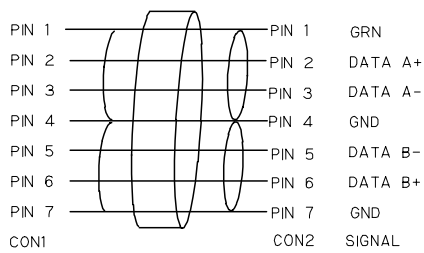
Search Parts in this Series

[68561Series](#)

7 6 5 4 3 2 1



WIRE CHART



- NOTE:
1. OUTER MOLD WITH BLACK PVC RESIN 887800042.
 2. DIELECTRONIC STRENGTH:500V/0.01S DC
 3. INSULATION RESISTANCE:100M OHMS MIN.
 4. CONDUCTIVE RESISTOR: 2 OHMS

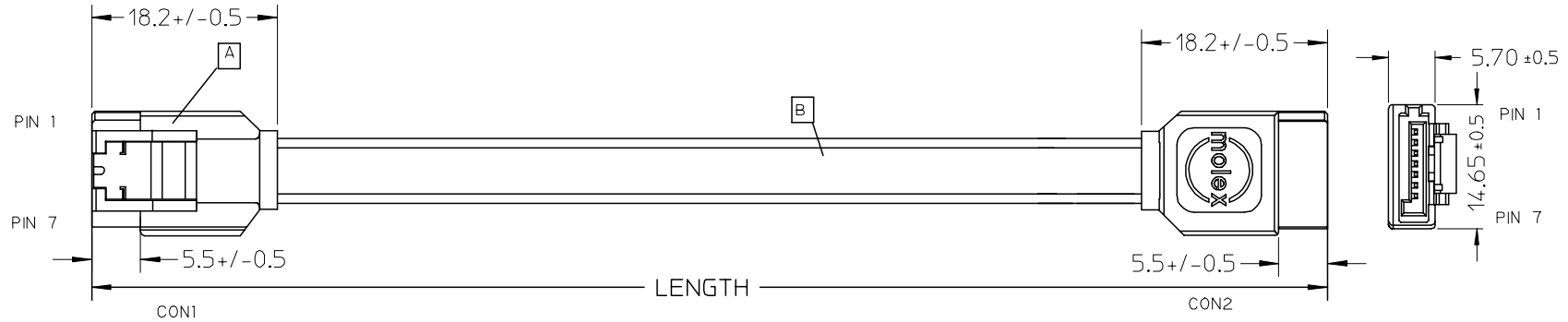
68561-0015	1000+/-20	40.0+/-0.8	S-ATA LATCHING ST TO ST CABLE,1.0M. RED
68561-0014	500+/-10	20.0+/-0.4	S-ATA LATCHING ST TO ST CABLE,0.5M. RED
MOLEX P/N	LENGTH (mm)	LENGTH (inch)	DESCRIPTION

B	S-ATA DATA CABLE RED 887808052	N/A	
A	S-ATA STRAIGHT RECEPTACLE WITH LATCH (Au 30u) 674899002		2
ITEM	DESCRIPTION	L(MM)	QTY.

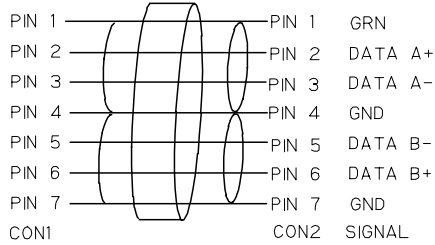
ENTER DESCRIPTION EC NO: DG2005-0009 DRWN:GX YANG 2004/08/11 CHKD: 2004/08/18 APPR:BOCHEN 2004/08/18 REV	QUALITY SYMBOLS ▽=0 ◻=0	GENERAL TOLERANCES (UNLESS SPECIFIED) <table border="1"> <tr> <td></td> <td>mm</td> <td>INCH</td> </tr> <tr> <td>4 PLACES</td> <td>±---</td> <td>±---</td> </tr> <tr> <td>3 PLACES</td> <td>±---</td> <td>±---</td> </tr> <tr> <td>2 PLACES</td> <td>±---</td> <td>±---</td> </tr> <tr> <td>1 PLACE</td> <td>±---</td> <td>±---</td> </tr> <tr> <td colspan="3">ANGULAR ±---°</td> </tr> </table>		mm	INCH	4 PLACES	±---	±---	3 PLACES	±---	±---	2 PLACES	±---	±---	1 PLACE	±---	±---	ANGULAR ±---°			DIMENSION STYLE MM ONLY DRAWN BY: GX YANG DATE: 04/08/10 CHECKED BY: TEDDY DATE: 04/08/10 APPROVED BY: BORON DATE: 04/08/10 MATERIAL NO.: 685610014/5	SCALE: --- DESIGN UNITS: METRIC THIRD ANGLE PROJECTION	TITLE: S-ATA ST LATCHING TO ST LATCHING SIGNAL CBL RED,0.5M,1.0M MOLEX INCORPORATED DOCUMENT NO.: SD-68561-001 SHEET NO.: 1 OF 1
		mm	INCH																				
	4 PLACES	±---	±---																				
	3 PLACES	±---	±---																				
2 PLACES	±---	±---																					
1 PLACE	±---	±---																					
ANGULAR ±---°																							
DRAFT WHERE APPLICABLE MUST REMAIN WITHIN DIMENSIONS		SIZE: A/4 THIS DRAWING CONTAINS INFORMATION THAT IS PROPRIETARY TO MOLEX INCORPORATED AND SHOULD NOT BE USED WITHOUT WRITTEN PERMISSION																					

6 5 4 3 2 1

7 6 5 4 3 2 1



WIRE CHART



NOTE:
 1. OUTER MOLD WITH BLACK PVC RESIN 887800042.
 INNER MOLD WITH PE RESIN 887800008:
 ELECTRICAL PERFORMANCE:
 2. DIELECTRONIC STRENGTH:500V/0.01S DC.
 3. INSULATION RESISTANCE:100M OHMS MIN.
 4. CONDUCTIVE RESISTOR: 2 OHMS.

68561-0015	1000+/-20	40.0+/-0.8	S-ATA LATCHING ST TO ST CABLE,1.0M, RED
68561-0014	500+/-10	20.0+/-0.4	S-ATA LATCHING ST TO ST CABLE,0.5M, RED
MOLEX P/N	LENGTH (mm)	LENGTH (inch)	DESCRIPTION

B	S-ATA DATA CABLE RED 887808052	
A	S-ATA STRAIGHT RECEPTACLE WITH LATCH (Au 30u) 674899002	2
ITEM	DESCRIPTION	QTY.

ENTER DESCRIPTION EC NO: DG2005-0125 DRWN: JLIU13 CHKD: TEDDY APPR: TKAN	2005/04/04 2005/04/04 2005/04/04	DESCRIPTION REV	QUALITY SYMBOLS	GENERAL TOLERANCES (UNLESS SPECIFIED)	DIMENSION STYLE	SCALE	DESIGN UNITS	THIRD ANGLE PROJECTION		
			▼=0 □=0	mm INCH 4 PLACES ± --- ± --- 3 PLACES ± --- ± --- 2 PLACES ± --- ± --- 1 PLACE ± --- ± --- ANGULAR ± ---°	MM ONLY	---	METRIC	DRAWN BY: JLIU13 DATE: 2005/04/04 CHECKED BY: TEDDY DATE: 2005/04/04 APPROVED BY: BORON DATE: 2005/04/04	TITLE	S-ATA ST TO ST WITH LATCH RED CABLE ASS'Y MOLEX INCORPORATED
			DRAFT WHERE APPLICABLE MUST REMAIN WITHIN DIMENSIONS	MATERIAL NO.	DOCUMENT NO.	SHEET NO.				
				685610014	SD-68561-0014	1 OF 1				
	THIS DRAWING CONTAINS INFORMATION THAT IS PROPRIETARY TO MOLEX INCORPORATED AND SHOULD NOT BE USED WITHOUT WRITTEN PERMISSION									

6 5 4 3 2 1

Данный компонент на территории Российской Федерации

Вы можете приобрести в компании MosChip.

Для оперативного оформления запроса Вам необходимо перейти по данной ссылке:

<http://moschip.ru/get-element>

Вы можете разместить у нас заказ для любого Вашего проекта, будь то серийное производство или разработка единичного прибора.

В нашем ассортименте представлены ведущие мировые производители активных и пассивных электронных компонентов.

Нашей специализацией является поставка электронной компонентной базы двойного назначения, продукции таких производителей как XILINX, Intel (ex.ALTERA), Vicor, Microchip, Texas Instruments, Analog Devices, Mini-Circuits, Amphenol, Glenair.

Сотрудничество с глобальными дистрибьюторами электронных компонентов, предоставляет возможность заказывать и получать с международных складов практически любой перечень компонентов в оптимальные для Вас сроки.

На всех этапах разработки и производства наши партнеры могут получить квалифицированную поддержку опытных инженеров.

Система менеджмента качества компании отвечает требованиям в соответствии с ГОСТ Р ИСО 9001, ГОСТ РВ 0015-002 и ЭС РД 009

Офис по работе с юридическими лицами:

105318, г.Москва, ул.Щербаковская д.3, офис 1107, 1118, ДЦ «Щербаковский»

Телефон: +7 495 668-12-70 (многоканальный)

Факс: +7 495 668-12-70 (доб.304)

E-mail: info@moschip.ru

Skype отдела продаж:

moschip.ru

moschip.ru_4

moschip.ru_6

moschip.ru_9