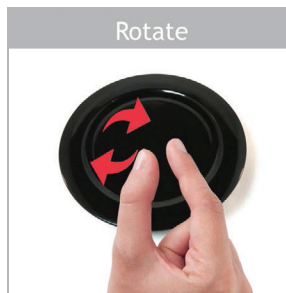




Let Your Fingers Do The Directing

Grayhill's Instinct technology tracks up to five finger touches at a time. The Multi-Touch Control Wheel combines a multi-touch touchpad with a circular groove to offer even more functionality. Touching the North, South, East or West points in the groove can be interpreted as joystick switch inputs. Running your finger around the groove can be interpreted as an encoder input. The number of relative state changes is user configurable from 4 to 256 per revolution. A proximity sensor automatically detects when a user approaches the device, allowing the OEM equipment to enter a power-saving mode when not in use. A few of the many multi-touch gestures are shown below.



Multi-Touch Control Wheel

Features

- Grayhill Instinct™ Gesture Recognition
- Three devices in one:
 - Multi-Touch touchpad
 - 4-256 position rotary encoder
 - 4 position (N, S, E, W) joystick
- Proximity sensor
- Impervious to cleaning solutions
- Easy to integrate into any device
- Rugged, scratch-resistant surface
- USB compatible HID device

Possible applications include:

- Medical devices
- Clean room controls
- Off-Highway vehicles

Instinct™ Technology. Intuitively Functional.

Grayhill Instinct is a set of multi-touch gesture recognition software tools that, when integrated with Grayhill multi-touch components, creates more intuitive human interface solutions.

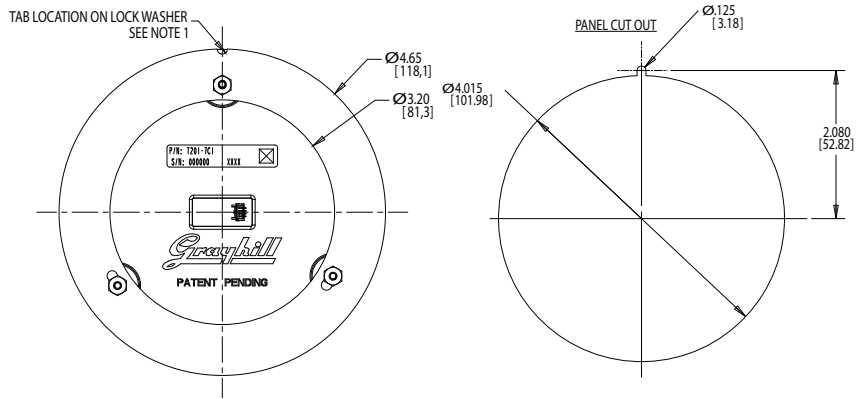
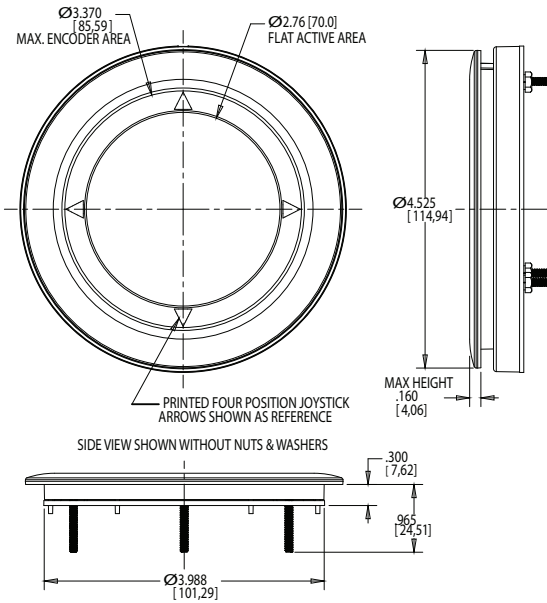
A Shorter Distance from Mind to Machine

An intuitive, easy-to-use interface improves productivity. Instinctive movements provide a variety of commands, all without the fingers leaving the touchpad. This allows faster interaction without needing to take eyes off of the screen. Plus, ergonomics are improved by consolidating all controls within easy reach.

Simplicity in use & Device Design

The Multi-Touch Control Wheel can replace touchscreens, keypads, trackballs, switches and joysticks. This makes for clean design and cuts costs of manufacturing. The MTCW increases the engineer's flexibility in building functionality into any product, while reducing front panel size and complexity.

DIMENSIONS



NOTES:
1. TAB DENOTES TOUCH SCREEN "TOP" OR "NORTH"

ENVIRONMENTAL & MATERIAL SPECIFICATIONS

Operating temperature	-10°C to +60°C
Seal	IP67
Humidity	95% Humidity at 60°C for 240 hours
Chemical resistance (Resistance to accidental spills and disinfectants)	72 Hr exposure to Coffee, Cola, Saline, Methylated spirits, Isopropyl, Ammonia, Chlorine bleach, Sodium Hypochlorite, Ethanol, Dupont® Virkon®, Dupont® RelyOn®, Betadine, Hydrogen Peroxide, Cidex®, Steris®, Civco®
Material	Xenoy

ELECTRICAL PERFORMANCE SPECIFICATIONS

USB	2.0, 3.0 Compatible, Full speed HID Compliant
Operating Voltage	2.5 to 5.5 Vdc
Input Current	50mA max @5V
Icon Wear Resistance	Minimum 1,000,000 cycle
Touchpad Resolution	1280 x 1280 pixels

CONNECTION

Mating Connector: Molex 501939-0400

PIN	1	2	3	4
USB	+ Vcc	USB Negative (D-)	USB Positive (D+)	Gnd

Grayhill, Inc.

561 Hillgrove Avenue phone: (708) 354-1040
LaGrange, Illinois 60525 fax: (708) 354-2820 instinct@grayhill.com

ELECTROMAGNETIC COMPATIBILITY SPECIFICATIONS

Designed and tested for use in systems requiring IEC 60601-1

RF Emissions	CISPR 11 Group 1 Class B
Electrostatic Discharge	IEC 61000-4-2 ±6kV Contact ±8kV Air
Electrical Fast Transient/Burst	IEC 61000-4-4 ±1kV Coupling Clamp
Power Frequency (50/60 Hz) Magnetic Field	IEC 61000-4-8 3 A/m
Conducted RF*	IEC 61000-4-6 Level 1 - 120dBuV, 150 kHz to 80 MHz
Radiated RF	IEC 61000-4-3 3 V/M 80 MHz to 2.5 GHz

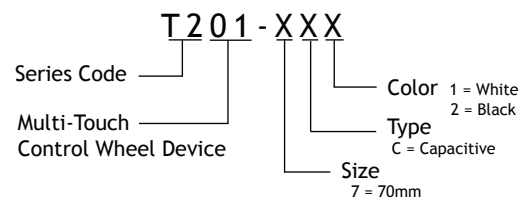
* see Grayhill application notes

Specifications subject to change

SOFTWARE DEVELOPMENT KIT part: T201-DEV1

Grayhill offers an Instinct Software Development Kit that provides the user with a common development platform for prototyping and evaluating different solutions. The Software Development Kit is comprised of a mounted Multi-Touch Control Wheel, a standard USB cable and demo software. The kit is available directly from Grayhill, or from one of several distributors. For more detailed information, including a copy of the User's Guide, go to www.grayhill.com/instinct.

ORDERING INFORMATION



Contact Grayhill for Custom Options.

Данный компонент на территории Российской Федерации

Вы можете приобрести в компании MosChip.

Для оперативного оформления запроса Вам необходимо перейти по данной ссылке:

<http://moschip.ru/get-element>

Вы можете разместить у нас заказ для любого Вашего проекта, будь то серийное производство или разработка единичного прибора.

В нашем ассортименте представлены ведущие мировые производители активных и пассивных электронных компонентов.

Нашей специализацией является поставка электронной компонентной базы двойного назначения, продукции таких производителей как XILINX, Intel (ex.ALTERA), Vicor, Microchip, Texas Instruments, Analog Devices, Mini-Circuits, Amphenol, Glenair.

Сотрудничество с глобальными дистрибьюторами электронных компонентов, предоставляет возможность заказывать и получать с международных складов практически любой перечень компонентов в оптимальные для Вас сроки.

На всех этапах разработки и производства наши партнеры могут получить квалифицированную поддержку опытных инженеров.

Система менеджмента качества компании отвечает требованиям в соответствии с ГОСТ Р ИСО 9001, ГОСТ РВ 0015-002 и ЭС РД 009

Офис по работе с юридическими лицами:

105318, г.Москва, ул.Щербаковская д.3, офис 1107, 1118, ДЦ «Щербаковский»

Телефон: +7 495 668-12-70 (многоканальный)

Факс: +7 495 668-12-70 (доб.304)

E-mail: info@moschip.ru

Skype отдела продаж:

moschip.ru

moschip.ru_4

moschip.ru_6

moschip.ru_9