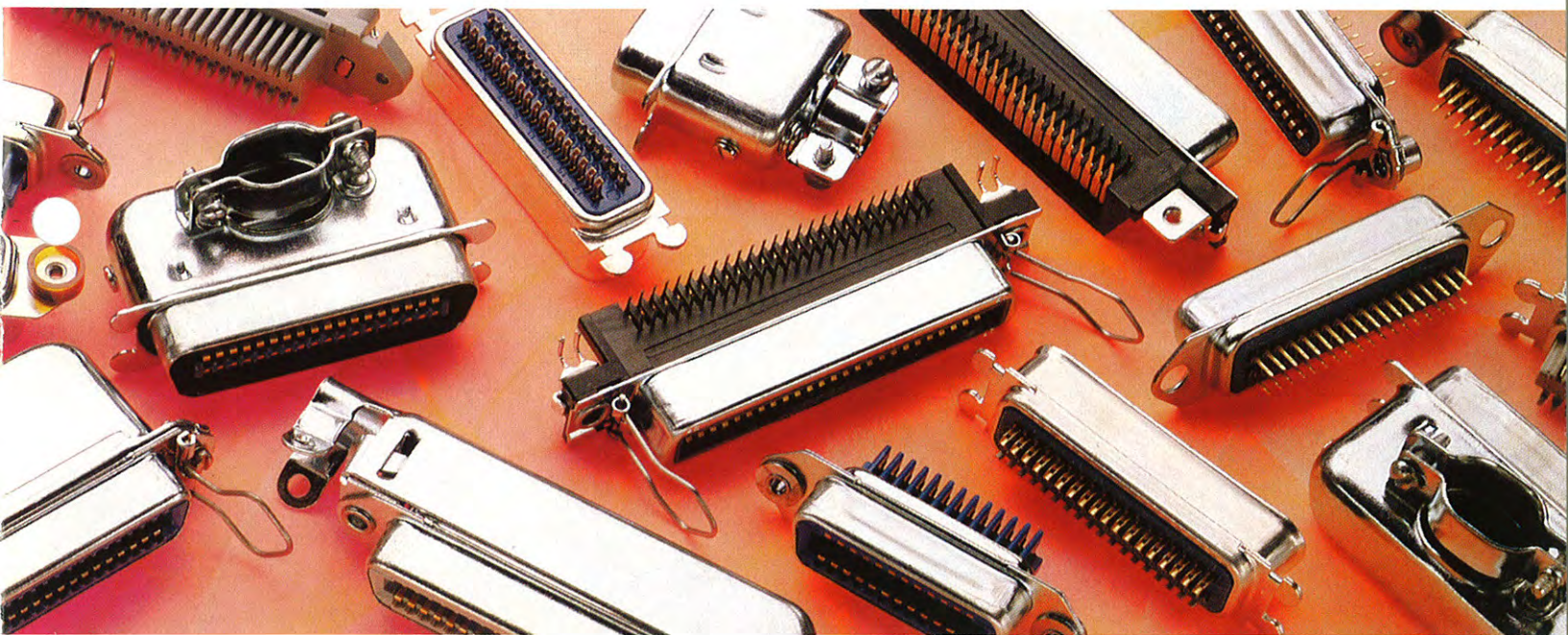


Amphenol®

57, 157, 57LE
series



Amphenol miniature-ribbon connectors

introduction

Amphenol 57, 157, 57LE miniature-ribbon connectors — a family of connectors proven to meet the demands of today's multi-wire cable termination applications.

57, 157, 57LE miniature-ribbon connectors are ideally suited for use in modems, multi-plexers, computers and peripherals, medical equipment, PBX devices and scientific instrumentation. These connectors are used extensively in the connection of conventional telephone equipment. And they contribute to the reliable, cost-effective termination of cash registers, vending machines and similar equipment.

interchangeable/intermateable

Mating surfaces of both solder-type 57 series and solderless 157 series connectors are compatible. This provides an intermate/intermount capability allowing you to interconnect new equipment without disturbing or rewiring existing connectors.

engineered performance

57, 157, 57LE series connectors feature gold plating selectively applied to significant areas. Contacts are designed to mate easily and firmly — virtually eliminating the possibility of bent pins or misalignment. The two wide, flat surfaces making electrical contact are compressed tightly by the flexing action of both members. Contacts are self-cleaning, self-wiping — contact surfaces are kept clear of corrosion and foreign matter, the result being highly reliable electrical continuity and low contact resistance.

low cost and efficient

With their long life and reliability, Amphenol 57, 157, 57LE miniature-ribbon connectors actually cost less than most other types. Low cost, efficient 57, 157, 57LE series connectors are easily terminated — either in the field, or in-plant. And special accessories available from Amphenol can help bring installed cost even lower. A large variety of connector sizes, configurations and optional features are available to suit the most exacting requirements.

The following pages detail our standard 57, 157, 57LE miniature-ribbon connectors, compatible accessories and termination tooling.

table of contents

| | |
|---|---------|
| introduction | 1 |
| Micro-Ribbon® connectors — 57 series | |
| general configuration | 2 |
| rack-and-panel type | 3 |
| cable-to-panel type | 4 - 5 |
| cable-to-cable type | 6 |
| printed circuit type | 7 - 12 |
| Micro-Pierce® connectors — 157 series | |
| general configuration and description | 13 |
| rack-and-panel type | 14 |
| cable-to-panel type | 14 - 15 |
| cable-to-cable type | 16 - 17 |
| all-plastic type | 18 - 19 |
| connectors for small computer system interface (SCSI) applications — 57 and 157 series | |
| description and applications | 20 |
| board mount type | 21 |
| solder type | 21 - 22 |
| overmold type | 22 - 24 |
| overmold hood kit | 24 |
| 57LE series connectors | |
| general configuration and description | 25 |
| 57LE right angle, metal front shell | 25 - 26 |
| termination tooling | 27 - 28 |
| connector hardware and accessories | 29 |
| part number / page number index | 30 - 31 |

general configuration — 57 series solder termination

description

Micro-Ribbon connectors offer a fast, economical and distinctively different method of achieving electrical interconnection.

The heart of the connector is the ribbon contact, selectively plated gold over nickel on a copper alloy base.

With contacts designed to mate easily and positively, the 57 series Micro-Ribbon connector delivers electrically and mechanically sound interconnections time after time.

Exceptionally versatile, 57 series Micro-Ribbon connectors are available in rack and panel, cable to panel, cable to cable and printed circuit types.

general specifications

| | |
|-----------------------------|--|
| Current Capacity | 5 amps per contact |
| Voltage Rating | 700 volts D.C. at sea level 200 volts D.C. at 70,000 ft. |
| Operating Temperature | -55°C to +105°C -67°F to +221°F |
| Wire Sizes | Solid: 22-gauge maximum Stranded: 24-gauge maximum |
| Contacts | Selectively plated 20 microinches gold over 50 microinches nickel on a copper alloy base |
| Dielectric | Diallyl phthalate per MIL-M-14G Type MDG |
| Shells | Zinc-plated steel with clear chromate coating; trapezoidal shape for polarization. |

features

- Copper alloy contacts, selectively plated gold-over-nickel for excellent current-carrying characteristics.
- UL 94 VO rated diallyl phthalate dielectric per MIL-M-14G Type MDG, for operation at up to 700 volts D.C. (sea level) without shorting or flashover. Resists cracking or chipping and has low moisture absorption.
- Float bushings on receptacles allow .020" radial float, for easy mating.
- Zinc-plated steel outer shell, with clear chromate finish, for corrosion resistance.
- Wide, flat mating surfaces, pressed tightly together by flexing action of both contacts, for electrical continuity.
- Positive mating action that wipes contacts clean, removing film or foreign matter, for low contact resistance.
- Solder cup type contact tails (for easy wire attachment) and pin style tails (for printed circuit board attachment) both are available. A high barrier between contact rows also is available.
- A trapezoidal-shape shell that assures correct polarity.

connector deviations (1,000 piece m.o.q)

| Deviation Number | Deviation Description for 57/157 Series Connectors |
|------------------|---|
| (398) | Connector shells and steel hardware nickel plated |
| (424) | Contacts fully plated, 30 microinches gold select over 50 microinches nickel. |
| (438) | Gold flashed contacts on mating area, 50 microinches min. nickel underplate. |
| (441) | Tin plated shells |
| (448) | Contacts selectively plated, 30 microinches min. gold on mating area, 50 microinches min. nickel underplate |
| (450) | Contacts selectively plated, 50 microinches min. gold on mating area, 50 microinches min. nickel underplate |

NOTE: Not all part numbers are available in all deviations. To verify availability contact the factory directly, or your local manufacturer's representative or distributor. Check with factory for other deviations not listed above.

connector deviation ordering information

To order a deviation of a catalog miniature-ribbon connector, add one of the listed deviation numbers in parenthesis to the catalog part number. Example: To order 57-10500 with tin plated shells, request 57-10500 (441).

NOTE: Only one deviation number can be applied to a catalog part number at a time.

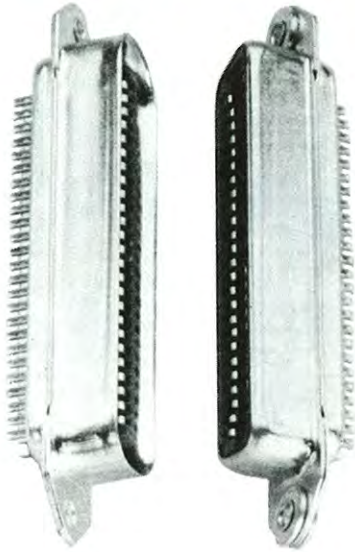


FILE E64911

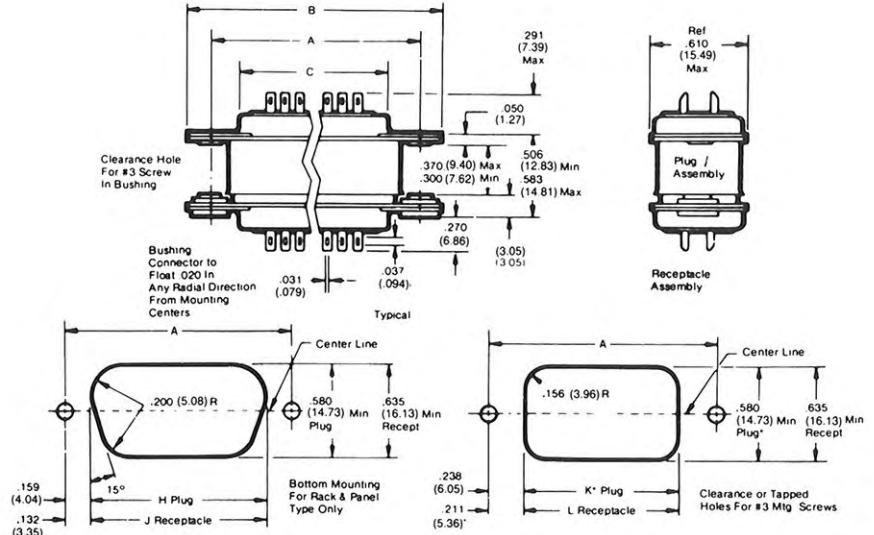


FILE LR 45516-14

57 series rack-and-panel connectors



dimensions



| | 14 Contacts | | 24 Contacts | | 36 Contacts | | 50 Contacts | | 64 Contacts | | |
|-----------------|-------------|-------|-------------|-------|-------------|-------|-------------|-------|-------------|-------|-------|
| | in. | mm | in. | mm | in. | mm | in. | mm | in. | mm | |
| A | 1.417 | 35.99 | 1.842 | 46.79 | 2.352 | 59.74 | 2.947 | 74.85 | 3.542 | 89.97 | |
| B | 1.750 | 44.45 | 2.175 | 55.25 | 2.685 | 68.20 | 3.280 | 83.31 | 3.875 | 98.43 | |
| C | .910 | 23.11 | 1.335 | 33.91 | 1.845 | 46.86 | 2.440 | 61.98 | 3.035 | 77.09 | |
| Bottom Mounting | H | 1.099 | 27.92 | 1.524 | 38.71 | 2.034 | 51.66 | 2.629 | 66.78 | 3.224 | 81.89 |
| | J | 1.153 | 29.29 | 1.578 | 40.08 | 2.088 | 53.04 | 2.683 | 68.15 | 3.278 | 83.26 |
| Top Mounting | K | .941 | 23.90 | 1.366 | 34.70 | 1.876 | 47.65 | 2.471 | 62.76 | 3.066 | 77.88 |
| | L | .995 | 25.27 | 1.420 | 36.07 | 1.930 | 49.02 | 2.525 | 64.14 | 3.120 | 79.25 |

order information

| Contacts | Plugs: Fix-mounted* | Plugs: Fix-mounted** | Solder CupTails With | | | |
|----------|------------------------|-------------------------|--------------------------------|--|------------------------|--------------------------------|
| | | | Low Barrier Insert | | High Barrier Insert | |
| | | | Receptacles: Float-mounted* | Receptacles: Less Float Bushings** | Plugs: Fix-mounted* | Receptacles: Float-mounted* |
| 14 | 57-10140 | consult sales office | 57-20140 | 57-20140-4 | N/A | N/A |
| 24 | 57-10240 | 57-10240-4*** | 57-20240 | 57-20240-2*** | N/A | N/A |
| 36 | 57-10360 | 57-10360-22 | 57-20360 | 57-20360-3 | 57-10360-14 | 57-20360-10 |
| 50 | 57-10500 | 57-10500-48 | 57-20500 | 57-20500-15 | 57-10500-6 | 57-20500-6 |
| 64 | — | — | — | — | 57-10640 | 57-20640 |

*.103" Mounting Hole (accepts #3 screw — not included)

** .185" Mounting Hole (accepts #8 screw — not included)

***IEEE Type

IEEE mounting hardware

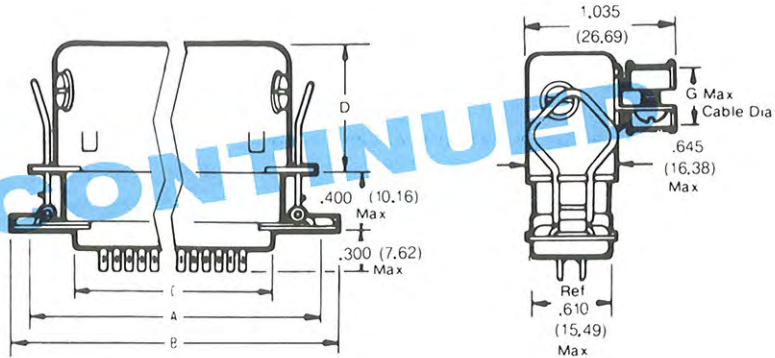
408-153819 Inside panel mount hardware includes two each studs, nuts, washers.

408-153818 Outside panel mount hardware includes two each studs, nuts, washers.

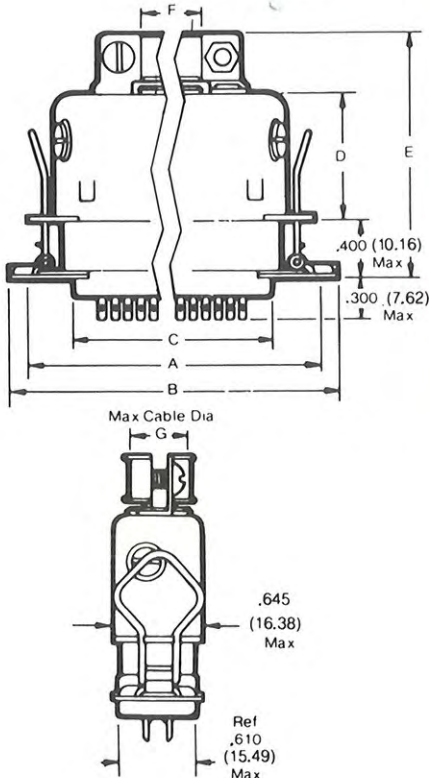
PLEASE NOTE: Amphenol rack and panel receptacle connectors have float bushings which allow .020" (6.008mm) radial float. Plugs and receptacles have solder cup tails and accept 22-gauge solid or 24-gauge (maximum) stranded wire. U.L. recognized.

57 series cable-to-panel connectors

side cable entry type



top cable entry type



dimensions

| | 14 Contacts | | 24 Contacts | | 36 Contacts | | 50 Contacts | |
|---|-------------|--------|-------------|--------|-------------|--------|-------------|--------|
| | In. | mm | In. | mm | In. | mm | In. | mm |
| A | 1.417 | 35.992 | 1.842 | 46.787 | 2.352 | 59.741 | 2.947 | 74.854 |
| B | 1.770 | 44.958 | 2.195 | 55.753 | 2.705 | 68.707 | 3.300 | 83.820 |
| C | .910 | 23.114 | 1.335 | 33.909 | 1.845 | 46.863 | 2.440 | 61.976 |
| D | .850 | 21.59 | .830 | 21.08 | .910 | 23.11 | 1.000 | 2.54 |
| E | 1.665 | 42.29 | 1.645 | 41.78 | 1.725 | 43.82 | 1.815 | 46.10 |
| F | .348 | 8.84 | .473 | 12.01 | .648 | 16.46 | .772 | 19.61 |
| G | .348 | 8.84 | .473 | 12.01 | .500 | 12.7 | .500 | 12.7 |

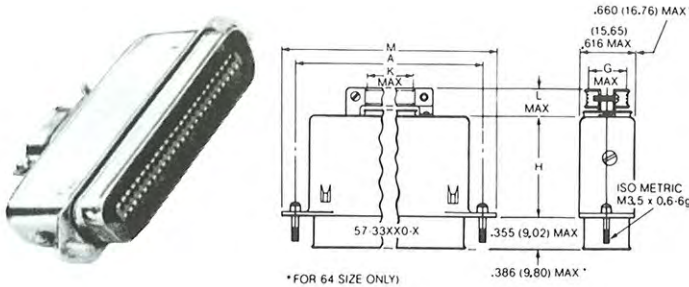
NOTE: All dimensions are reference.

order information

| Contacts | Plugs: Top Cable Entry Part Number | Plugs: Side Cable Entry Part Number | Receptacle Mating Connection With Spring Latches Part Number |
|----------|------------------------------------|-------------------------------------|--|
| 14 | 57-30140 | 57-50140 | 57-40140 |
| 24 | 57-30240 | 57-50240 | 57-40240 |
| 36 | 57-30360 (screwtype hood) | 57-50360 | 57-40360 |
| 36 | 57-30360-18 (snap on hood) | — | — |
| 36 | — | — | 57-40360-9 (high barrier) |
| 50 | 57-30500 | 57-50500 | 57-40500 |
| 50 | 57-30500-3 (high barrier) | — | 57-40500-4 (high barrier) |

57 series cable-to-panel connectors

top cable entry type for screw lock



order information

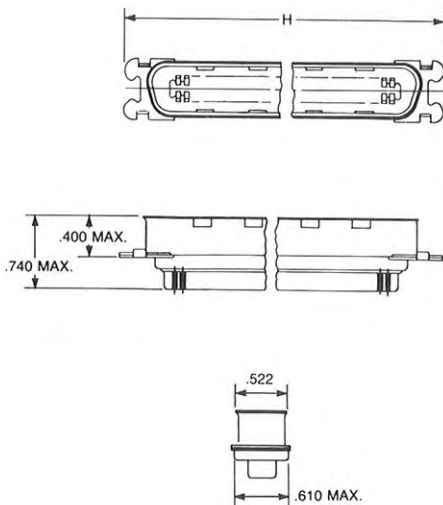
| Contacts | Plug: Top Cable Entry With Zinc Plated Shells For Screw Locking Part Number | Plug: Top Cable Entry With Nickel Plated Shells For Screw Locking Part Number |
|----------|---|---|
| 14 | 57-33140-1 | 57-33140-2 |
| 24 | 57-33240-1 | 57-33240-2 |
| 36 | 57-33360-1 | 57-33360-2 |
| 50 | 57-33500-1 | 57-33500-2 |

NOTE: Top cable entry plugs for screw locking can be mated with rack and panel type connectors utilizing IEEE mounting hardware.

dimensions

| Size | 14 | | 24 | | 36 | | 50 | |
|------|-------|-------|-------|-------|-------|-------|-------|-------|
| | Inch | mm | Inch | mm | Inch | mm | Inch | mm |
| A | 1.417 | 35.99 | 1.842 | 46.79 | 2.352 | 59.74 | 2.947 | 74.85 |
| G | .442 | 10.72 | .468 | 11.89 | .468 | 11.89 | .468 | 11.89 |
| H | .843 | 21.41 | .825 | 20.96 | .905 | 22.99 | .995 | 25.27 |
| K | .348 | 8.84 | .473 | 12.01 | .639 | 16.23 | .766 | 19.46 |
| L | .405 | 10.29 | .400 | 10.16 | .405 | 10.29 | .405 | 10.29 |
| M | 1.729 | 43.92 | 2.154 | 54.71 | 2.664 | 67.67 | 3.259 | 82.78 |

top cable entry type for overmold cable assemblies



dimensions

| | 36 Contacts | | 50 Contacts | |
|---|-------------|-------|-------------|-------|
| | In. | mm | In. | mm |
| H | 2.431 | 61.75 | 3.030 | 76.96 |

NOTE: All dimensions are reference.

order information

| Contacts | Plugs: With Bail Latch Ears For Overmold Cable Assemblies (low barrier) Part Number | Plugs: With Bail Latch Ears For Overmold Cable Assemblies (high barrier) Part Number |
|----------|---|--|
| 36 | 57-10360-29 (441) | 57-10360-28 (441) |
| 50 | — | 57-10500-79 (441) |

57 series cable-to-cable connectors

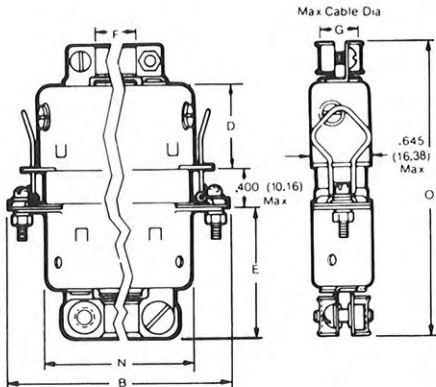
top cable entry type



dimensions

| | 14 Contacts | | 24 Contacts | | 36 Contacts | | 50 Contacts | |
|---|-------------|--------|-------------|--------|-------------|--------|-------------|--------|
| | in. | mm | in. | mm | in. | mm | in. | mm |
| B | 1.770 | 44.958 | 2.195 | 55.753 | 2.705 | 68.707 | 3.300 | 83.820 |
| D | .850 | 21.59 | .830 | 21.08 | .910 | 23.11 | 1.000 | 2.54 |
| E | 1.255 | 31.88 | 1.235 | 31.37 | 1.315 | 33.4 | 1.405 | 35.69 |
| F | .348 | 8.84 | .473 | 12.01 | .648 | 16.46 | .772 | 19.61 |
| G | .348 | 8.84 | .473 | 12.01 | .500 | 12.7 | .500 | 12.7 |
| N | 1.153 | 29.286 | 1.578 | 40.081 | 2.089 | 53.061 | 2.683 | 68.148 |
| O | 2.906 | 73.812 | 2.875 | 73.025 | 3.032 | 77.013 | 3.218 | 81.737 |

NOTE: All dimensions are reference.

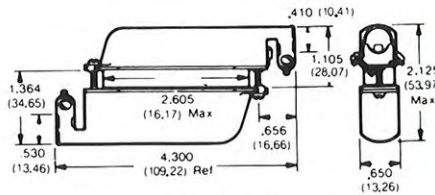


order information

| Contacts | Plugs: Top Cable Entry Part Number | Plugs: Side Cable Entry Part Number | Receptacle Mating Connection With Spring Latches Part Number |
|----------|------------------------------------|-------------------------------------|--|
| 14 | 57-30140 | | 57-60140 |
| 24 | 57-30240 | 57-50240 | 57-60240 |
| 36 | 57-30360 | 57-50360 | 57-60360 |
| 50 | 57-30500 | 57-50500 | 57-60500 |
| 50 | 57-30500-3 (high barrier) | — | — |

running cable type

NOTE: Only available in 50 contact size.



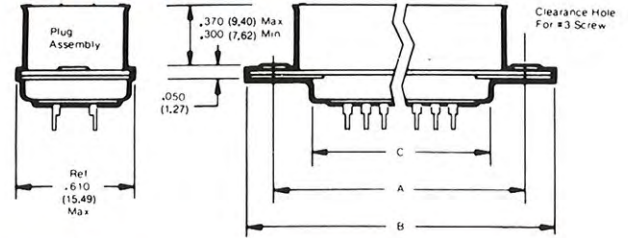
Low Profile Hood

order information

| 50-Size Plug Connectors w/ Metal Hoods Part Number | |
|--|---|
| 57-10500-7 | (low hood)— $\frac{5}{8}$ " |
| 57-10500-7 (402) | (low hood, bulk-packed, egg crating)— $\frac{5}{8}$ " |
| 57-10500-14 | (high hood)— $\frac{7}{8}$ " |
| 50-Size Receptacle Connectors w/ Metal Hoods Part Number | |
| 57-20500-7 | (high hood)— $\frac{7}{8}$ " |
| 57-20500-7 (402) | (high hood, egg crated)— $\frac{7}{8}$ " |
| 57-20500-19 | (low hood)— $\frac{5}{8}$ " |

57 series printed circuit connectors

straight tail without spring latch



dimensions (See P.C. Board layout on page 8.)

| | 14 Contacts | | 24 Contacts | | 36 Contacts | | 50 Contacts | |
|---|-------------|--------|-------------|--------|-------------|--------|-------------|--------|
| | in. | mm. | in. | mm. | in. | mm. | in. | mm. |
| A | 1.417 | 35.991 | 1.842 | 46.787 | 2.352 | 59.741 | 2.947 | 74.854 |
| B | 1.750 | 44.450 | 2.175 | 55.245 | 2.685 | 68.199 | 3.280 | 83.312 |
| C | .910 | 23.114 | 1.335 | 33.909 | 1.845 | 46.863 | 2.440 | 61.976 |
| D | .510 | 12.954 | .935 | 22.749 | 1.445 | 36.703 | 2.040 | 51.816 |

order information

Plugs/PC Contacts (.100" tail)*.

| Contacts | Part Number |
|----------|-------------|
| 14 | 57-10140-4 |
| 24 | 57-10240-3 |
| 36 | 57-10360-13 |
| 50 | 57-10500-27 |

Receptacles/PC Contacts (.100" tail): Float-Mounted*

| Contacts | Part Number |
|----------|-------------|
| 14 | 57-20140-8 |
| 24 | 57-20240-8 |
| 36 | 57-20360-9 |
| 50 | 57-20500-31 |

Receptacles/PC Contacts (.100" tail): Without Float Bushings**

| Contacts | Part Number |
|----------|-------------|
| 14 | 57-20140-12 |
| 24 | 57-20240-14 |
| 36 | 57-20360-15 |
| 50 | 57-20500-65 |

Plugs/PC Contacts (.135" tail)*.

| Contacts | Part Number |
|----------|-------------|
| 14 | 57-10140-5 |
| 24 | 57-10240-5 |
| 36 | 57-10360-17 |
| 50 | 57-10500-46 |

Receptacles/PC Contacts (.135" tail): Without Float Bushings**

| Contacts | Part Number |
|----------|-------------|
| 14 | 57-20140-10 |
| 24 | 57-20240-11 |
| 36 | 57-20360-13 |
| 50 | 57-20500-58 |

Receptacles/PC Contacts (.156" tail): Without Float Bushings**

| Contacts | Part Number |
|----------|-------------|
| 14 | N/A |
| 24 | 57-20240-23 |
| 36 | 57-20360-19 |
| 50 | 57-20500-85 |

Plugs/PC Contacts (.156" tail)*.

| Contacts | Part Number |
|----------|-------------|
| 14 | N/A |
| 24 | 57-10240-12 |
| 36 | 57-10360-25 |
| 50 | 57-10500-73 |

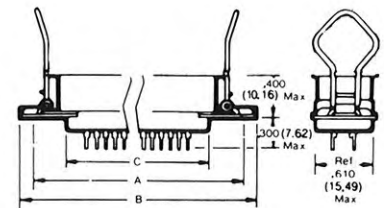
* 103" Mounting Hole (accepts #3 screw — not included)
** 185" Mounting Hole (accepts #8 screw — not included)

straight tail with spring latch



order information

| Contacts | Receptacles/ PC Contacts With Spring Latch (.100" tail) | Receptacles/ PC Contacts With Spring Latch (.135" tail) | Receptacle PC Contacts With Spring Latch (.156" tail) |
|----------|--|--|--|
| 14 | 57-40140-8 | 57-40140-11 | N/A |
| 24 | 57-40240-9 | 57-40240-11 | 57-40240-14 |
| 36 | 57-40360-12 | 57-40360-16 | 57-40360-24 |
| 50 | 57-40500-9 | 57-40500-16 | 57-40500-24 |

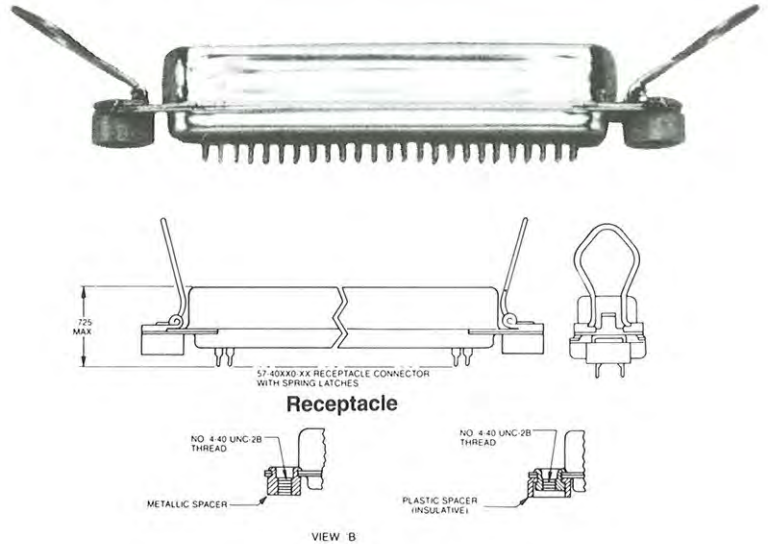
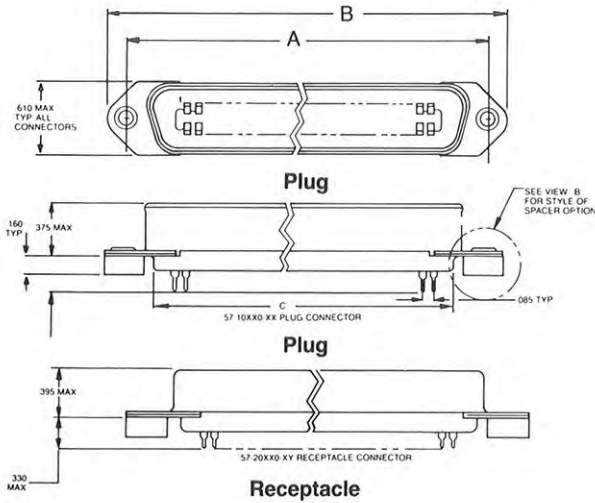


dimensions

See dimensions table at top of page.
(See P.C. Board layout on page 8.)

57 series printed circuit connectors (cont.)

straight tail with standoff



dimensions

See dimensions table at top of page 7.

order information

Plugs/PC Contacts (.156) Metallic Standoff

| | |
|----|-------------|
| 24 | 57-10240-14 |
| 36 | 57-10360-27 |
| 50 | 57-10500-77 |

Receptacles/PC Contacts (.156) Metallic Standoff

| | |
|----|-------------|
| 24 | 57-20240-25 |
| 36 | 57-20360-21 |
| 50 | 57-20500-87 |

Receptacles/PC Contacts (.156) And Spring Latches Metallic Standoff

| | |
|----|-------------|
| 24 | 57-40240-16 |
| 36 | 57-40360-23 |
| 50 | 57-40500-26 |

Plugs/PC Contacts (.156) Insulative Standoff

| | |
|----|-------------|
| 24 | 57-10240-13 |
| 36 | 57-10360-26 |
| 50 | 57-10500-69 |

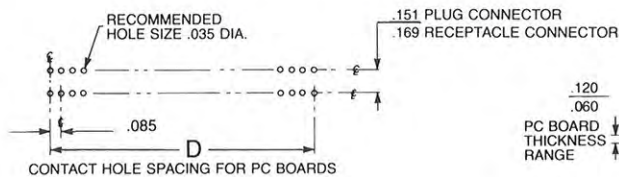
Receptacles/PC Contacts (.156) Insulative Standoff

| | |
|----|-------------|
| 24 | 57-20240-24 |
| 36 | 57-20360-20 |
| 50 | 57-20500-79 |

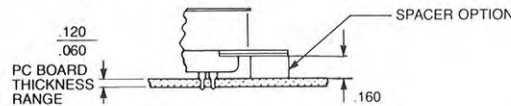
Receptacles/PC Contacts (.156) And Spring Latches Insulative Standoff

| | |
|----|-------------|
| 24 | 57-40240-15 |
| 36 | 57-40360-21 |
| 50 | 57-40500-23 |

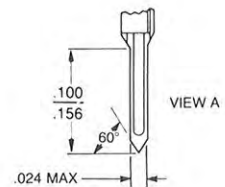
typical mounting, contact hole spacing and termination lengths for PC boards



See dimensions table at top of page 7.



TYPICAL CONNECTOR MOUNTING FOR PRINTED CIRCUIT BOARD



57 series right angle PCB mount receptacle

(see also page 25, 57LE right angle)



Amphenol introduces a new low profile right angle printed circuit board receptacle for Host Adapter Accessory Cards. Developed in response to newly emerging SCSI applications, it is also an ideal choice for any application requiring a low-cost, right angle PC tail connector.

Available in either standard, or reverse polarization, these receptacles are completely intermateable with standard Amphenol micro-ribbon® connectors. To accommodate PC panel or chassis thickness, the front shell has been lengthened 0.100". A 0.070" reduction in connector-to-board height, as measured from PCB surface to connector centerline, provides a lower profile to accommodate PC Host Adapter Card/IO Port configurations.

Beryllium copper contacts feature recessed "Closed Front Entry" design for improved ESD suppression. The positive mating action of these contacts is self-wiping and self-cleaning, resulting in highly reliable electrical continuity and low contact resistance. Spring clip or jack screw mounting hardware assures connectors remain tightly engaged.

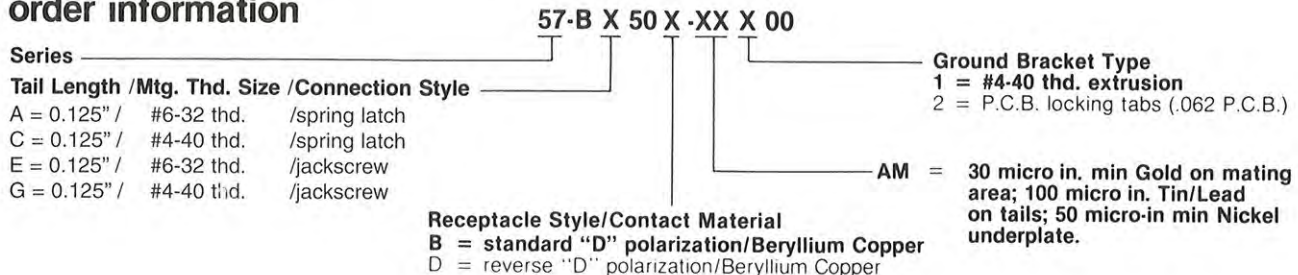
specifications

Current rating: 5 amps/contact
Voltage rating: 700 VDC at sea level
 200 VDC at 70,000 ft.
Withstanding voltage: 1,000 VAC
Insulation resistance: 1,000 Megaohms min.
Contact resistance: 15 Milliohms max.
Operating temperature: -67°F to +221°F
 (-55°C to +105°C)

Insulator material: Reinforced thermo-plastic UL 94 V-O rated, black
Contact material: Beryllium Copper
Shell material: Steel, Aluminum killed, Zinc plated with clear chromate finish
Ground bracket: Cold rolled Steel; bright Tin plated

Contact plating: 30 microinches Gold in mating area, 100 microinches Tin/Lead on tails, 50 micro-inches Nickel underplate
Mounting plates: Cold rolled Steel; Zinc plated with clear chromate finish

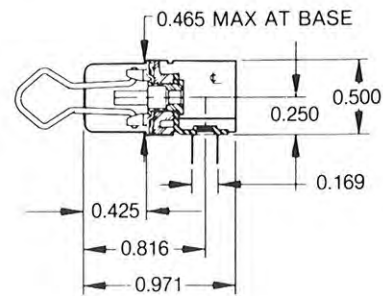
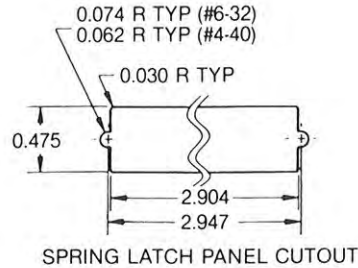
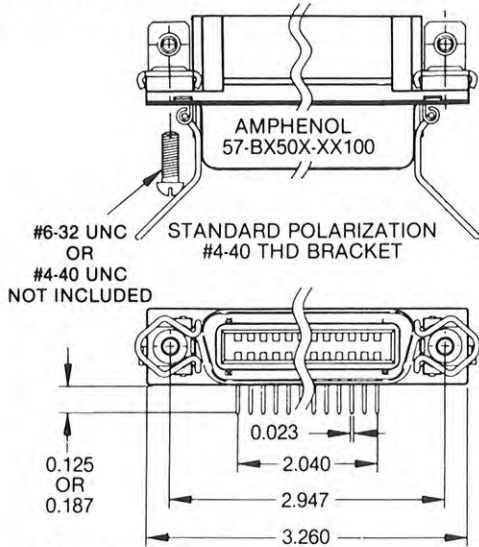
order information



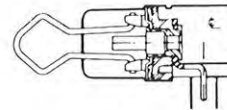
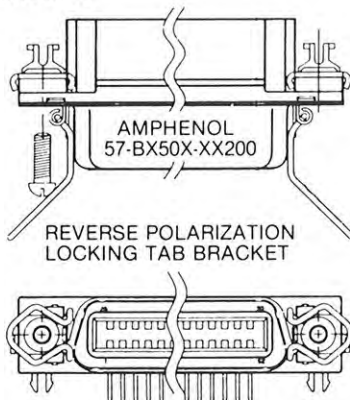
57 series right angle PCB mount receptacle (cont.)

receptacle with spring latch

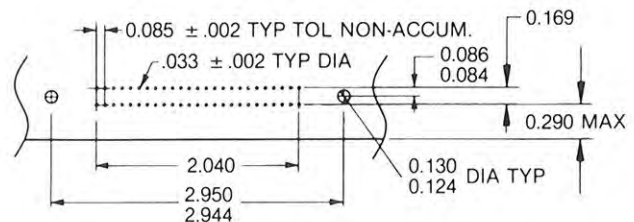
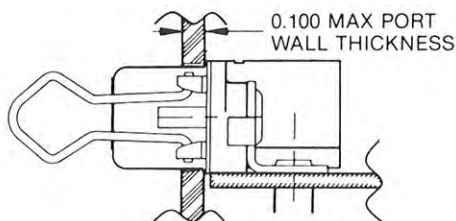
Standard Polarization



Reverse Polarization



mounting specifications



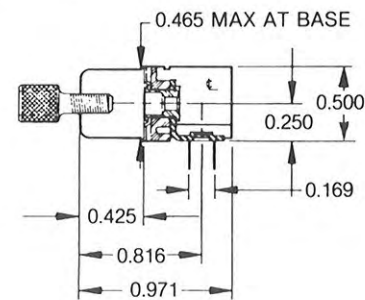
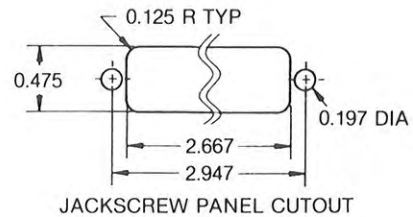
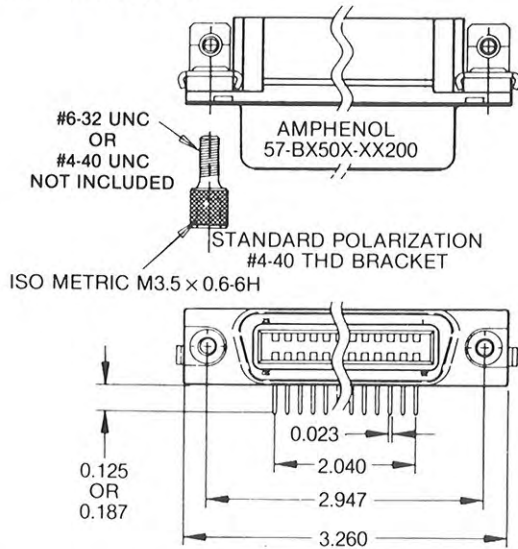
Mounting Hardware Supplied Separately
(20 screws per package—order by number of packages)

| Hardware Description | | Part Number For Screw With #6-32 External Thread | Part Number For Screw With #4-40 External Thread |
|-----------------------------------|---------------|--|--|
| Screw For Spring Latch Receptacle | | 57-1911-01 | 57-2030 |
| Jackscrews (Internal Thread Size) | M3.5 × 0.6-6H | 57-1912-02 | 57-2031 |
| | #4-40 UNC-2B | — | 57-2054 |

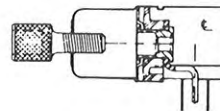
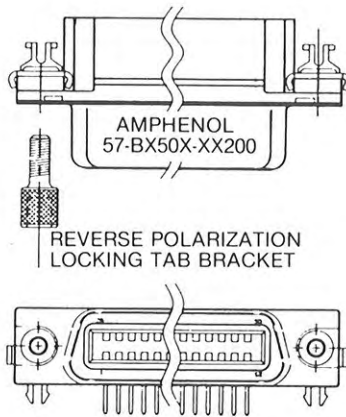
57 series right angle PCB mount receptacle (cont.)

receptacle with jack screw

Standard Polarization



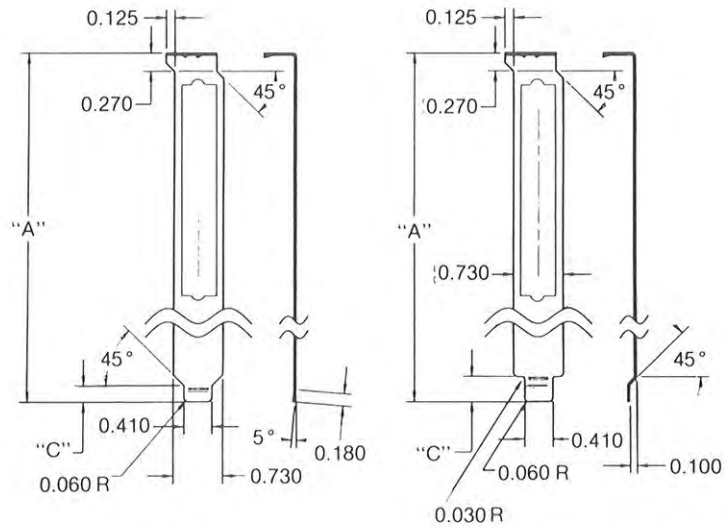
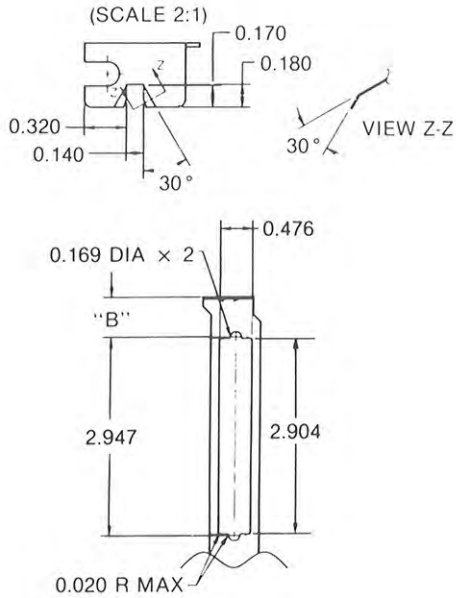
Reverse Polarization



| Item | Material | Standard Plating |
|----------------|---|--|
| Housing | Reinforced thermoplastic UL rated 94V-0, black | |
| Contacts | 0.008" Beryllium Copper | 30 microinches Gold mating area; 100 microinches Tin/Lead on tails; 50 microinches Nickel underplating |
| Shell | Cold rolled Steel Aluminum killed, deep draw quality | .0002-.0004" electrodeposited clear chromate over .0002-.0004" electrodeposited Zinc per spec. QQ-Z-325, Class 3, Type II |
| Ground bracket | Cold rolled Steel | .0002-.0004" bright Tin plating |
| Rivets | SAE C-1006 Steel | .0002-.0004" electrodeposited clear chromate over .0002-.0004" electrodeposited Zinc per spec QQ-Z-325, Class 3, Type II |
| Spring latch | 0.038" dia. Stainless Steel wire | |

57 series right angle PCB mount receptacle (cont.)

host adapter card mounting plates for 50 position receptacle



Straight Tab

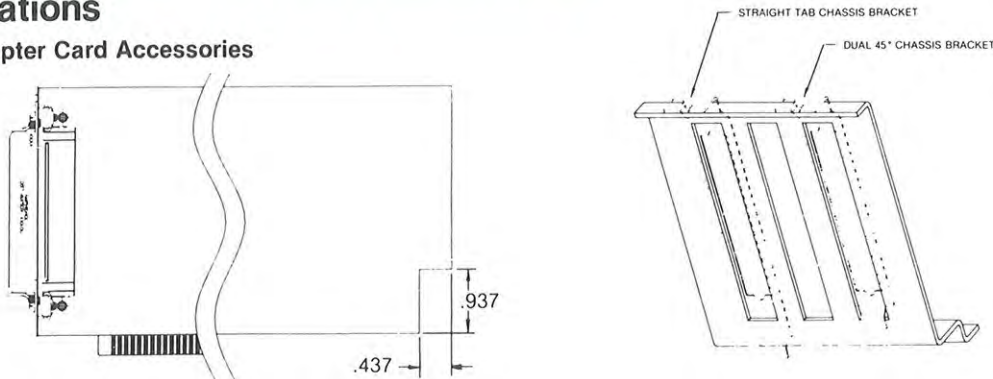
Dual 45° Tab

dimensions/order information (10 000 pc. MOQ)

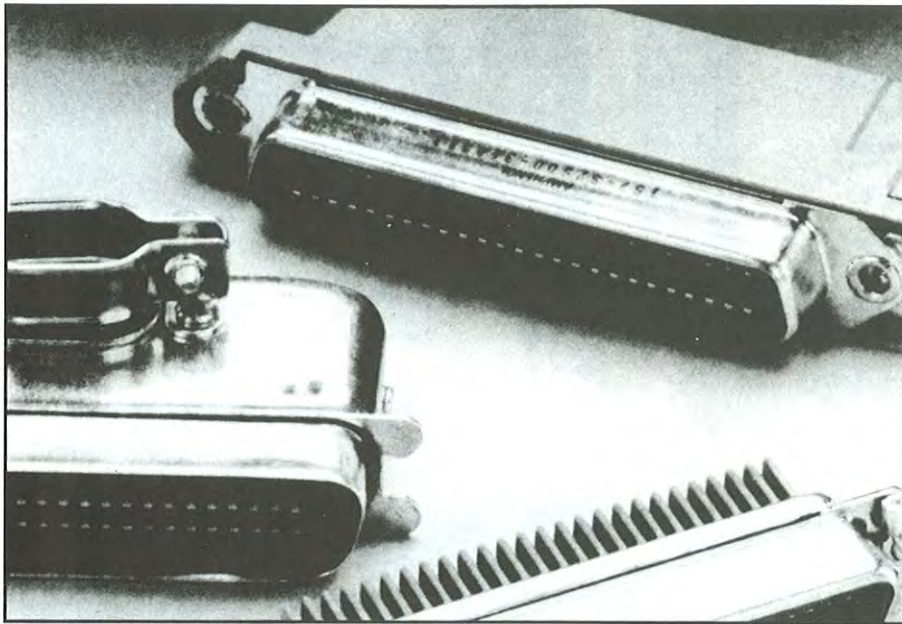
| Tab Style | Amphenol Part Number | Dimensions | | |
|-----------|----------------------|------------|-------|-------|
| | | A | B | C |
| Straight | 57-2039-802 | 4.750 | 0.562 | 0.240 |
| Dual 45° | 57-2039-902 | 4.150 | 0.630 | 0.346 |

applications

Host Adapter Card Accessories



general configuration – 157 series I.D.C. termination



description

Amphenol 157 Micro-Pierce connectors combine the field-proven features and reliability of 57 series micro-ribbon solder-type connectors with the speed and convenience of solderless termination.

These versatile rack and panel, cable to panel, and cable to cable connectors are available in 14-, 24-, 36-, 50- and 64-contact configurations (see factory for 64-pin option).

Solderless termination, as accomplished using either hand or automatic termination equipment is fast, requires no special skill, yet results in reliable, virtually mistake-proof termination because individual conductor preparation is not necessary.

features

- Glass-filled polyester dielectric permits operation to 700 VDC at sea level without shorting or flashover. Dielectric resists cracking or chipping — has high mechanical strength. Also low moisture absorption.
- Iron-copper contacts with plated gold over nickel for excellent current-carrying characteristics up to 5 amps.
- Terminal area provides positive insulation-piercing, excellent electrical continuity as wiped-clean conductor cold-flows around engaging surface to form large contact area.
- Float-bushing mouting permits .020 radial float for easy mating.
- Zinc-plated steel outer shell with clear chromate finish resists corrosion.
- Wide, flat mating surfaces are pressed tightly together by the flexing action of both contacts for protection against “opens”.
- Positive mating action wipes contacts clean, removes film or foreign material for low contact resistance.
- Trapezoidal shell assures correct polarity.

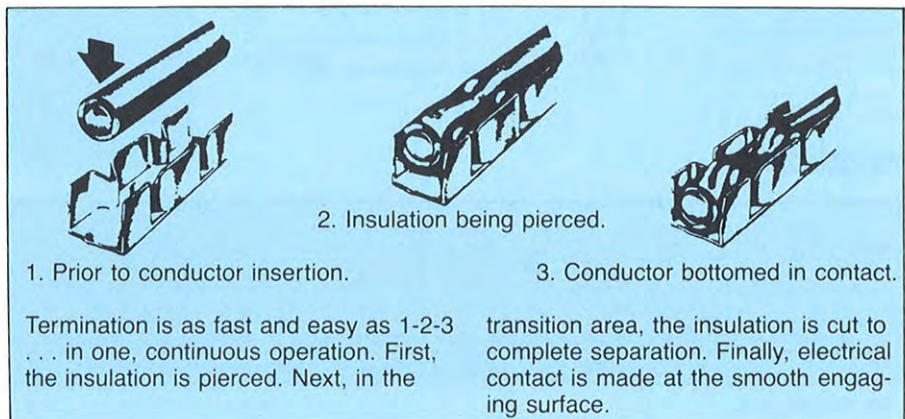
general specifications

All Micro-Pierce Connectors

| | |
|-----------------------|--|
| Current capacity | 5 amp per contact |
| Voltage rating | 700 VDC at sea level 200 VDC at 70,000 ft. |
| Operating temperature | -67°F to +221°F -55°C to +105°C |
| Wire sizes | 22 and 26 AWG, solid conductor* 26 and 28 AWG, stranded conductor |
| Contacts | Selectively plated 20 microinches gold over 50 microinches nickel on a copper alloy base |
| Dielectric | DPT UL94V-0 |
| Shells | Zinc-plated steel with clear chromate coating. Trapezoidal shape assure positive polarization. |

*see factory for further information

3-Step Insulation Displacement



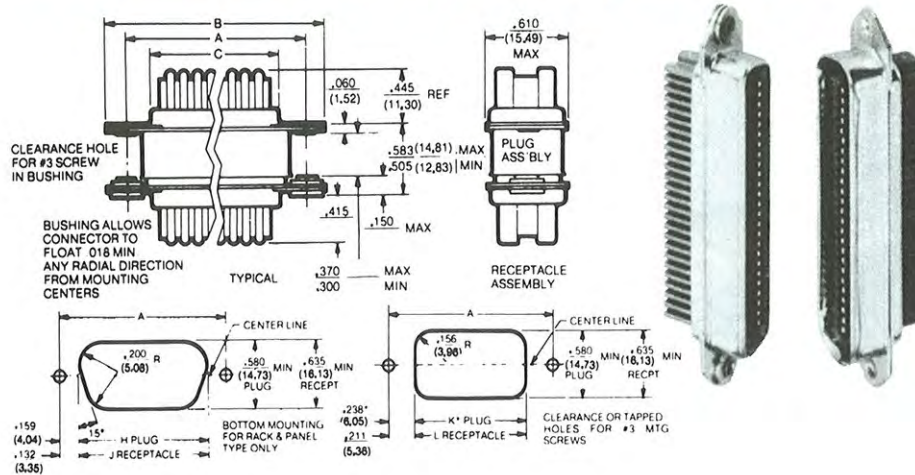
FILE E64911



Canadian Standards Association

FILE LR 45516-14

157 series rack-and-panel connectors



order information

| Contacts | Plug | Receptacle |
|----------|--------------|---------------|
| 14 | 157-12140 | 157-22140 |
| 24 | 157-12240*** | 157-22240*** |
| 36 | 157-12360 | 157-22360 |
| 50 | 157-12500 | 157-22500 |
| 50 | 157-12500-3* | 157-22500-3** |
| 64 | 157-12640 | 157-22640 |

*IEEE type with .185 mounting hole.
 **IEEE type with .185 mounting hole less float bushing.
 ***IEEE type.

IEEE mounting hardware

408-153819 Inside panel mount hardware includes two each studs, nuts, washers.
408-153818 Outside panel mount hardware includes two each studs, nuts, washers.

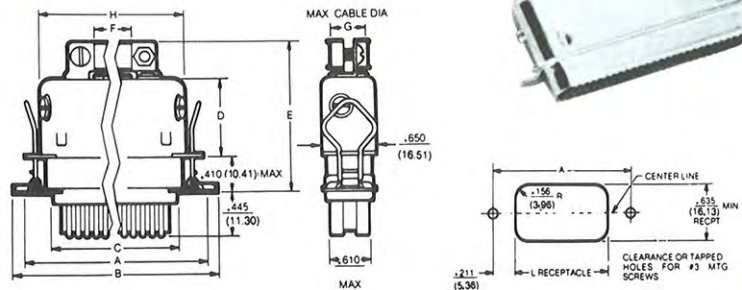
dimensions

| Contacts | Bottom Mounting | | | Top Mounting | | | | | | | | | | |
|----------|-----------------|-------|-------|--------------|-------|-------|-------|-------|-------|-------|-------|-------|-------|-------|
| | A | | B | H | | J | K | | L | | | | | |
| | In. | mm | In. | mm | In. | mm | In. | mm | In. | mm | | | | |
| 14 | 1.417 | 35.99 | 1.750 | 44.45 | .910 | 23.11 | 1.099 | 27.92 | 1.153 | 29.29 | .941 | 23.90 | .995 | 25.27 |
| 24 | 1.842 | 46.79 | 2.175 | 55.25 | 1.335 | 33.91 | 1.524 | 38.71 | 1.578 | 40.08 | 1.366 | 34.70 | 1.420 | 36.07 |
| 36 | 2.352 | 59.74 | 2.685 | 68.20 | 1.845 | 46.86 | 2.034 | 51.66 | 2.088 | 53.04 | 1.876 | 47.65 | 1.930 | 49.02 |
| 50 | 2.947 | 74.85 | 3.280 | 83.31 | 2.440 | 61.98 | 2.629 | 66.78 | 2.683 | 68.15 | 2.471 | 62.76 | 2.525 | 64.14 |
| 64 | 3.542 | 89.97 | .875 | 98.43 | 3.035 | 77.09 | 3.224 | 81.89 | 3.278 | 83.26 | 3.066 | 77.88 | 3.120 | 79.25 |

NOTE: All rack and panel receptacle connectors have a float-bushing mount that permits .020" (.51mm) radial float for ease of mounting and connection. Connectors may be mounted above or below panels (see cut-out drawings above) using #3 mounting screws.

157 series cable-to-panel connectors

top cable entry type



order information

| Contacts | Plug (screw type hood) | Receptacle |
|----------|------------------------|------------|
| 14 | 157-32140 | 157-42140 |
| 24 | 157-32240 | 157-42240 |
| 36 | 157-32360 | 157-42360 |
| 50 | 157-32500 | 157-42500 |

dimensions

| Contacts | A | | B | | C | | D | | E | | F | | G | | H | | L | |
|----------|-------|-------|-------|-------|-------|-------|-------|-------|-------|-------|------|-------|------|-------|-------|-------|-------|-------|
| | In. | mm | In. | mm | In. | mm | In. | mm | In. | mm | In. | mm | In. | mm | In. | mm | In. | mm |
| 14 | 1.417 | 35.99 | 1.77 | 44.96 | .910 | 23.11 | .850 | 21.59 | 1.665 | 42.29 | .348 | 8.84 | .348 | 8.84 | 1.153 | 29.29 | .995 | 25.27 |
| 24 | 1.842 | 46.79 | 2.195 | 55.75 | 1.335 | 33.91 | .830 | 21.08 | 1.645 | 41.78 | .473 | 12.01 | .473 | 12.01 | 1.578 | 40.08 | 1.420 | 36.07 |
| 36 | 2.352 | 59.74 | 2.705 | 68.70 | 1.845 | 46.86 | .910 | 23.11 | 1.725 | 43.82 | .648 | 16.46 | .500 | 12.7 | 2.089 | 53.06 | 1.930 | 46.02 |
| 50 | 2.947 | 74.85 | 3.300 | 83.82 | 2.440 | 61.98 | 1.000 | 25.4 | 1.815 | 46.1 | .772 | 19.61 | .500 | 12.7 | 2.683 | 68.15 | 2.525 | 64.14 |

*Has .185 mounting hole.

157 series cable-to-panel connectors (cont.)

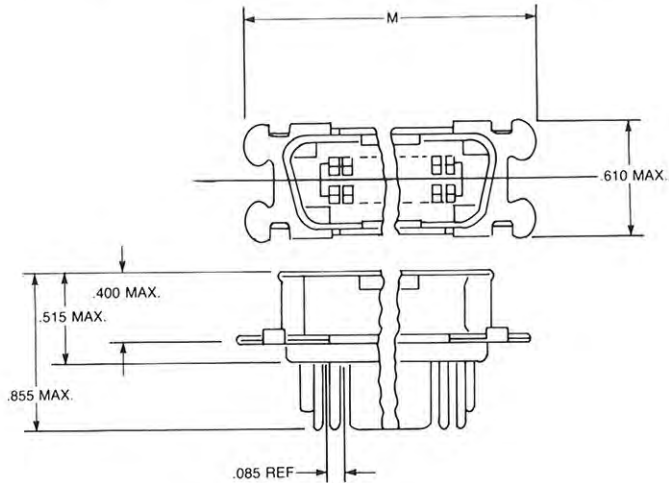
top cable entry type (for overmold cable assemblies)

order information

| | |
|-----------------|--|
| Contacts | Plugs: with bail latch ears for overmold cable assemblies Part Number |
| 36 | 157-12360-5 (441) |
| 50 | 157-12500-10 (441) |

dimensions

| | 36 Contacts | | 50 Contacts | |
|---|-------------|-------|-------------|-------|
| | In. | mm | In. | mm |
| M | 2.431 | 61.75 | 3.025 | 76.84 |



SCSI overmold hood kit for 50 position connectors

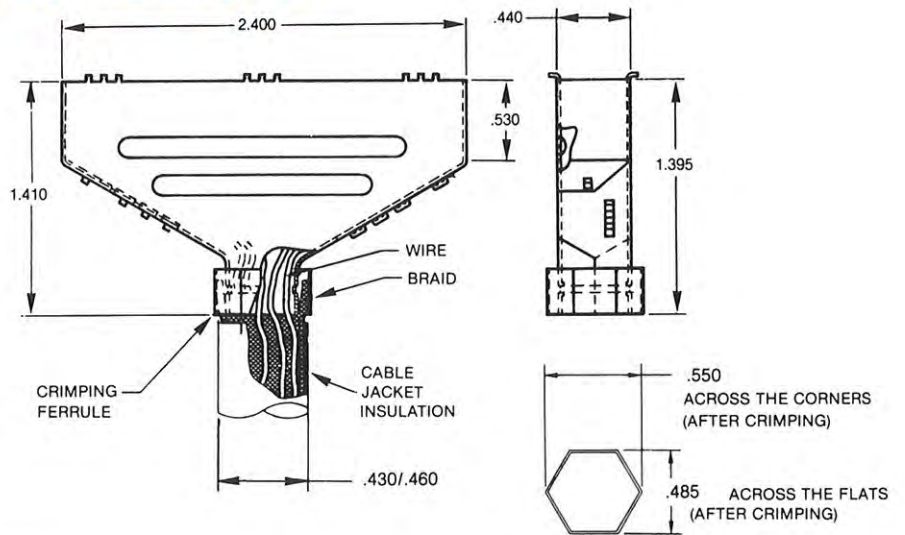
This kit, including two hermaphroditic hood shells and a ferrule, reduces user pre-mold operations thus lowering labor costs. Also, the single crimp ferrule eliminates the need for an inner/outer crimp typical of other product offerings.

applications

For use with the following Amphenol connectors:
 157-12500-10 (441) 157-12500-14 (441)
 157-22500-14 (441) 157-42500 (441)
 Use suffix "508" for connector & overmold hood combination kit, i.e., 157-12500-10-(508)

order information

Part Number: 157-1869-501

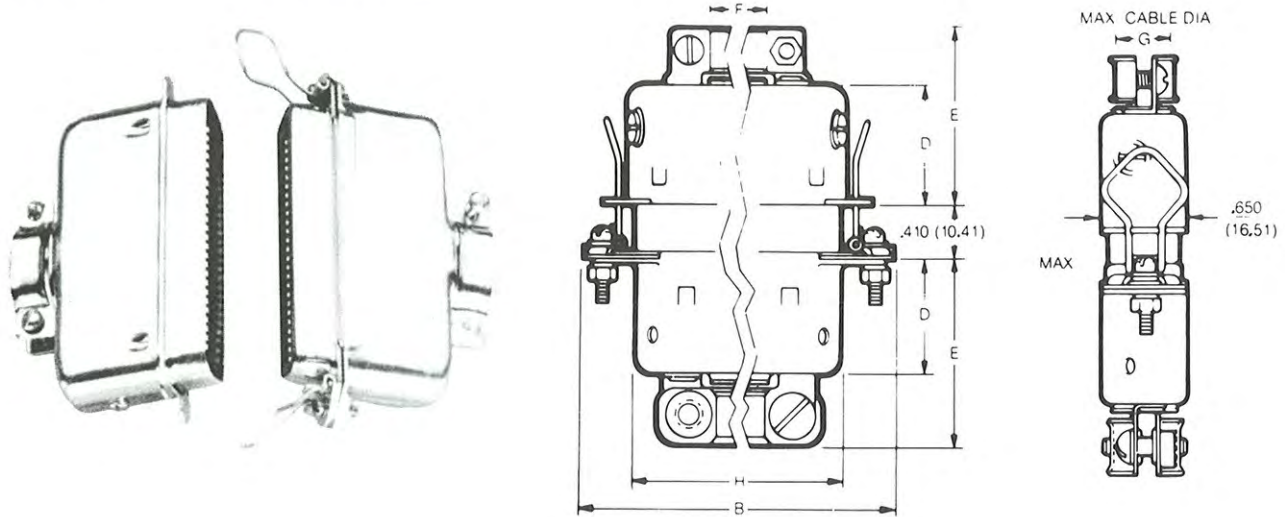


Assembly Instructions:

- 1.) Slide ferrule over the cable.
- 2.) Remove jacket insulation to appropriate length.
- 3.) Remove braid to appropriate length.
- 4.) Roll back braid over the jacket insulation.
- 5.) Terminate the connector.
- 6.) Assemble the overmold hoods.
- 7.) Roll back braid over the hoods.
- 8.) Slide ferrule over the braid such that the braid is sandwiched between the hood and ferrule.
- 9.) Crimp the ferrule.

157 series cable-to-cable connectors

top cable entry type



dimensions

| Contacts | B MAX | | D MAX | | E MAX | | F MAX | | G | | H MAX | |
|----------|-------|-------|-------|-------|-------|-------|-------|-------|------|-------|-------|-------|
| | In. | mm | In. | mm | In. | mm | In. | mm | In. | mm | In. | mm |
| 14 | 1.770 | 44.96 | .850 | 21.59 | 1.255 | 31.88 | .348 | 8.84 | .348 | 8.84 | 1.153 | 29.29 |
| 24 | 2.195 | 55.75 | .830 | 21.08 | 1.235 | 31.37 | .473 | 12.01 | .473 | 12.01 | 1.578 | 40.08 |
| 36 | 2.705 | 68.70 | .910 | 23.11 | 1.315 | 33.4 | .648 | 16.46 | .500 | 12.7 | 2.089 | 53.06 |
| 50 | 3.30 | 83.82 | 1.000 | 25.4 | 1.405 | 35.69 | .772 | 19.61 | .500 | 12.7 | 2.683 | 68.15 |

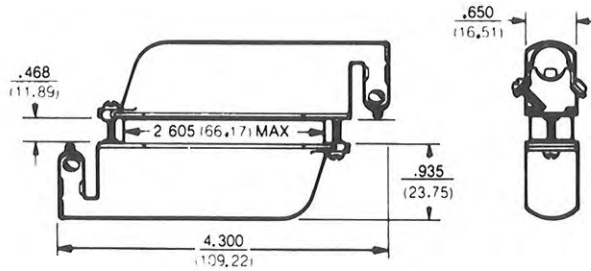
order information

| Contacts | Top Cable Entry | |
|----------|-----------------|------------|
| | Plug | Receptacle |
| 14 | 157-32140 | 157-62140 |
| 24 | 157-32240 | 157-62240 |
| 36 | 157-32360 | 157-62360 |
| 50 | 157-32500 | 157-62500 |

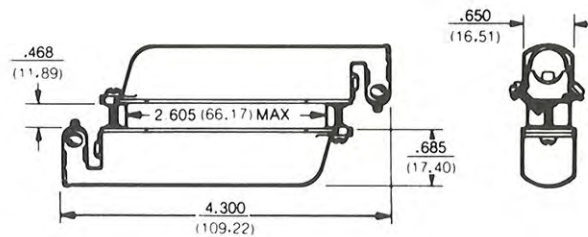
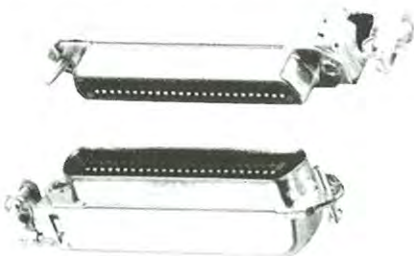
157 series cable-to-cable connectors (cont.)

end cable entry type

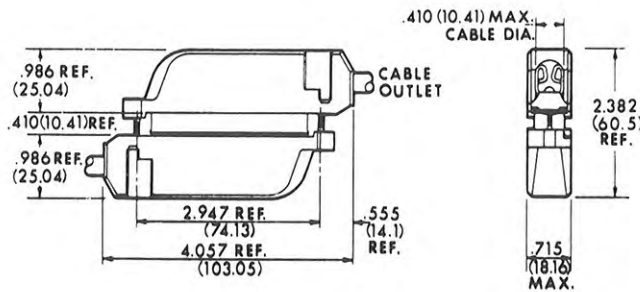
low profile steel hood



ultra-low profile steel hood



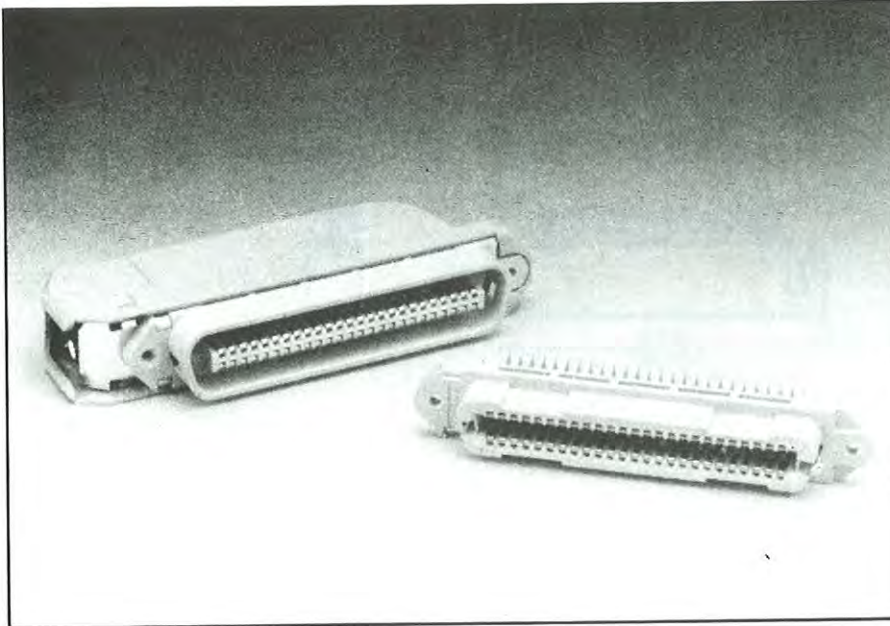
low profile plastic hood



order information

| Contacts | Low-Profile Steel Hood | | Ultra-Low Profile Steel Hood | | All-Plastic Hood | |
|----------|------------------------|-------------|------------------------------|--------------|------------------|------------------|
| | Plug | Receptacle | Plug | Receptacle | Plug | Receptacle |
| 50 | 157-72500-3 | 157-82500-3 | 157-72500-18 | 157-82500-18 | 157-72500-3(431) | 157-82500-3(431) |

157 series all-plastic Micro-Pierce® connectors



features

- Glass-filled polyester dielectric permits operation to 700 VDC at sea level without shorting or flashover. Dielectric resists cracking or chipping — has high mechanical strength. Also low moisture absorption.
- Iron-copper contacts with plated gold over nickel for excellent current-carrying characteristics up to 5 amps.
- Terminal area provides positive insulation-piercing, excellent electrical continuity as wiped-clean conductor cold-flows around engaging surface to form large contact area.
- Float-bushing mounting permits .020 radial float for easy mating.
- Zinc-plated steel outer shell with clear chromate finish resists corrosion.
- Wide, flat mating surfaces are pressed tightly together by the flexing action of both contacts for protection against "opens".
- Positive mating action wipes contacts clean, removes film or foreign material for low contact resistance.
- Trapezoidal shell assures correct polarity.
- 90° plastic hoods are separate from the cable clamp device which is attached directly to the connector body. The hood snaps on and off easily.
- The mated connectors may be locked together with either spring clips, provided on the receptacle, or a captivated screw. With the spring clip locking device there is no need for additional hardware. The spring clips engage the windows provided in the plug body.

description

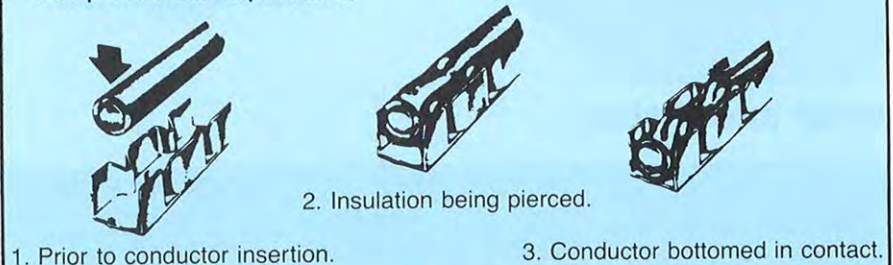
Amphenol 157 Micro-Pierce connectors combine the field-proven features and reliability of 57 series micro-ribbon solder-type connectors with the speed and convenience of solderless termination.

Solderless termination, as accomplished using either hand or automatic termination equipment, is fast, requires no special skill, yet results in reliable, virtually mistake-proof termination because individual conductor preparation is not necessary.

specifications

| | |
|-------------------------------|--|
| Current capacity: | 5 amp per contact |
| Voltage rating: | 700 VDC at sea level 200 VDC at 70,000 ft. |
| Operating temperature: | -67°F to +221°F -55°C to +105°C |
| Wire sizes | 24 and 26 AWG, solid conductor; 26 and 28 AWG, stranded conductor |
| Contacts | Selectively plated 20 microinches gold over 50 microinches nickel on a copper alloy base |
| Dielectric | Fiberglass-filled polyester |

3-Step Insulation Displacement:



Termination is as fast and easy as 1-2-3 . . . in one, continuous operation. First, the insulation is pierced. Next, in the

transition area, the insulation is cut to complete separation. Finally, electrical contact is made at the smooth engaging surface.



FILE E64911



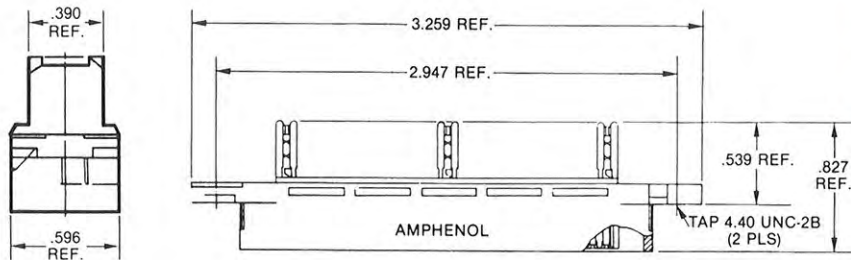
Canadian Standards Association

FILE LR 45516-14

157 series all-plastic Micro-Pierce® connectors (cont.)

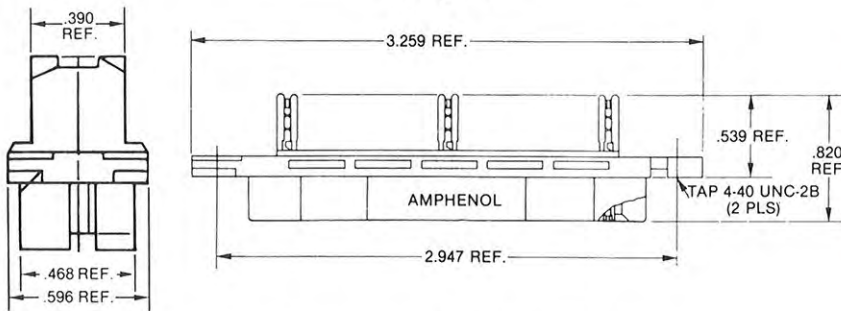
dimensions and order information

Plug



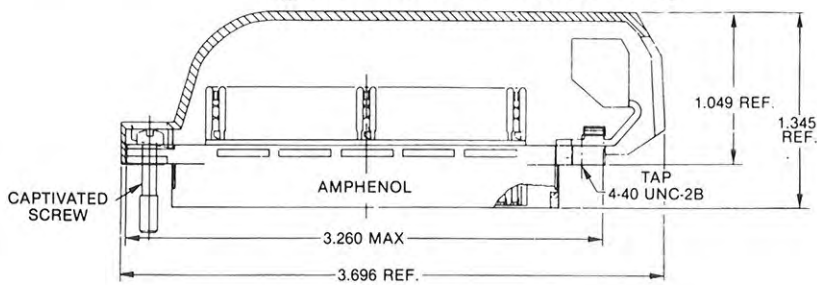
| Mounting Arrangement | Amphenol Part Number |
|----------------------|----------------------|
| 4-40 tapped 2 pls. | 157-19500-01 |
| .125" thru holes | 157-19500-02 |

Receptacle



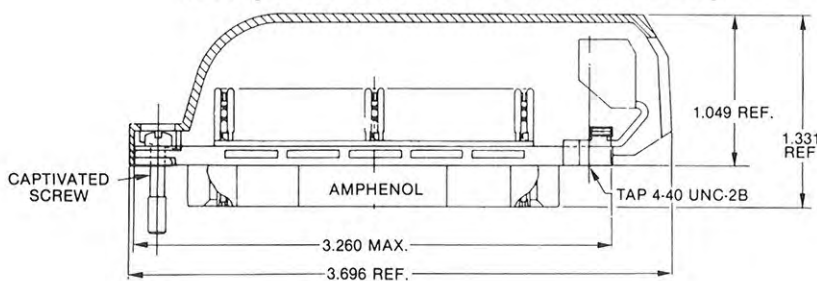
| Mounting Arrangement | Amphenol Part Number |
|--------------------------------------|----------------------|
| 4-40 tapped 2 pls. | 157-29500-01 |
| .125" thru holes | 157-29500-02 |
| 4-40 tapped 2 pls. with spring clips | 157-29500-03 |
| .125" thru holes with spring clips | 157-29500-04 |

Plug with hood and cable clamp



| Mounting Arrangement | Amphenol Part Number |
|--|----------------------|
| 4-40 captivated screw, tapped hole and cable clamp | 157-79500-01 |
| 4-40 tapped 2 pls. and cable clamp | 157-79500-02 |

Receptacle with hood and cable clamp



| Mounting Arrangement | Amphenol Part Number |
|--|----------------------|
| 4-40 captivated screw, tapped hole and cable clamp | 157-89500-01 |
| 4-40 tapped 2 pls. with spring clips and cable clamp | 157-89500-02 |

connectors for small computer system interface (SCSI) applications

description

Amphenol 57 and 157 series connectors are ideally suited for small computer system interface (SCSI), given their compact design and versatility.

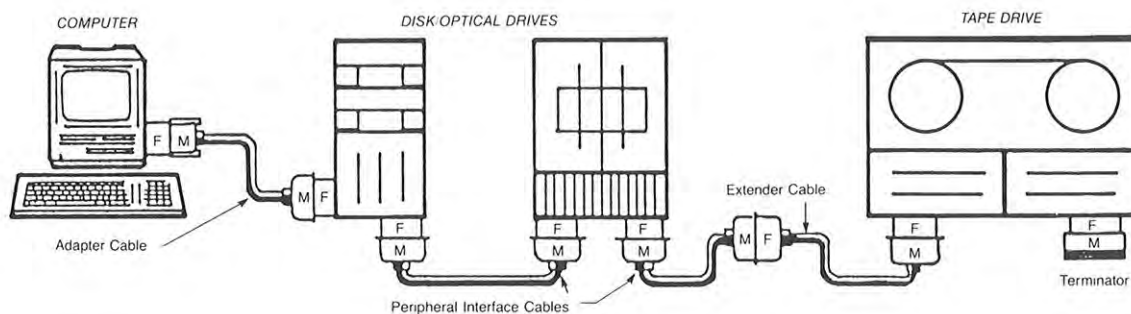
These connectors provide the internal and external interconnections between host computers and various types of peripheral devices including: disk drives; tape drives; printers; and optical disk storage units.

Amphenol 57 and 157 series connectors for SCSI applications provide plugs incorporating grounding indents for maximum EMI/RFI protection, in addition to tin plated shells for solderability.

An overmold can is available for the 157 series 50 contact connector. Also available is a low profile right angle printed circuit board connector for host adapter accessory cards.

applications

The schematic diagram shown on this page illustrates a typical interconnect configuration as defined by ANSI X3T9.2. While this may vary by manufacturer and equipment design, it serves to demonstrate the SCSI interconnect system and connectors offered by Amphenol.

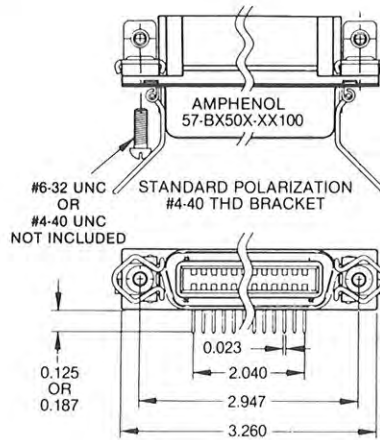


SCSI board mount type 50 position receptacle

order information

Part Number: 57-BX50X-XXX00 & 57LE-40XX0-X70XX (drawing not shown)

NOTE: See pages 9 & 26 for specifications and order information for this connector.



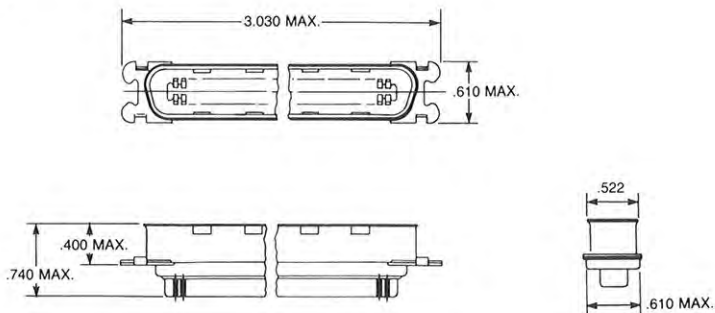
SCSI solder type 50 position plug for spring latch

Applications: Terminators and Feed-through Adapters

order information

Part Number: 57-10500-79 (441)

NOTE: See page 5 for specifications and order information for this connector.

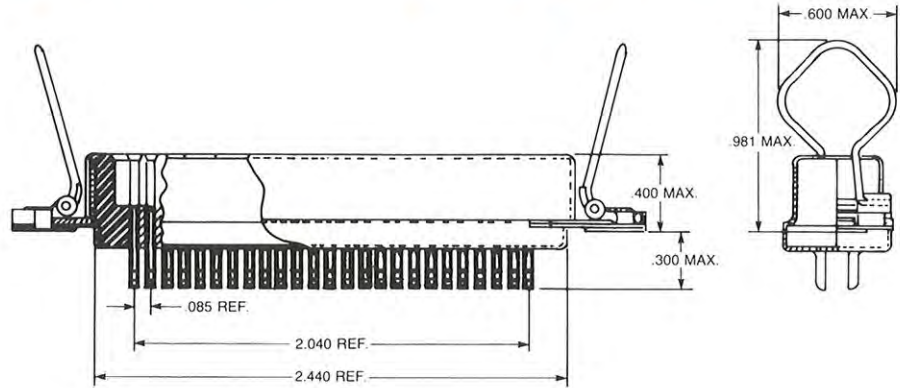


SCSI solder type 50 position receptacle with spring latch

Applications: Feed-through Adapters

order information
Part Number: 57-40500 (441)

NOTE: See page 4 for specifications and order information for this connector.



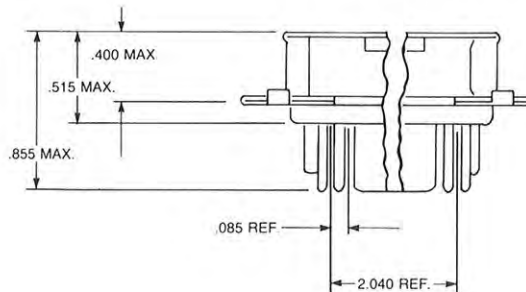
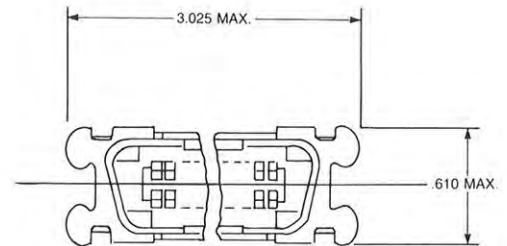
SCSI overmold cable connectors (IDC)

50 position plug for spring latching

Applications: Adapters, Peripheral Interface and Extended Cables

order information
Part Number: 157-12500-10 (441)

NOTE: See page 15 for specifications and order information for this connector.



SCSI overmold cable connectors (IDC)

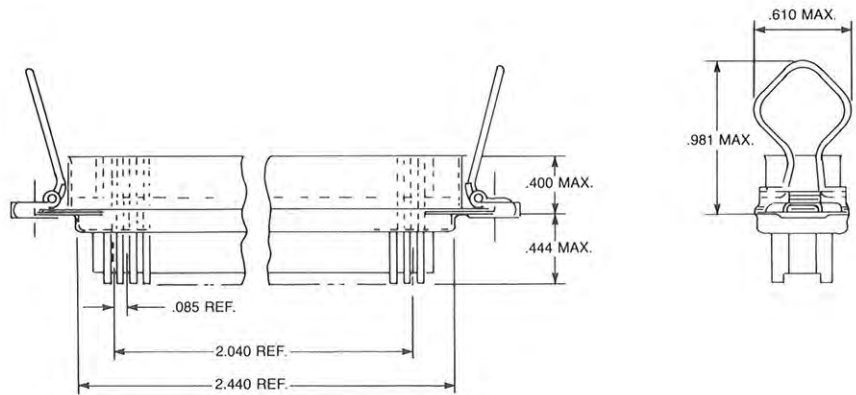
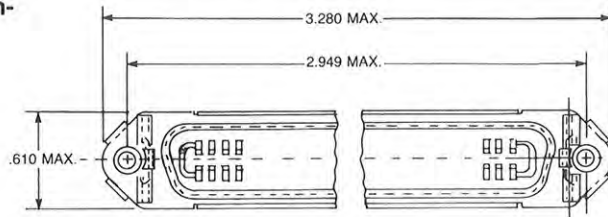
50 position receptacle with spring latch

Applications: Adapters; Peripheral Interface; and Extended Cables

order information

Part Number: 157-42500 (441)

NOTE: See page 15 for specifications and order information for this connector.



SCSI overmold cable connectors (IDC)

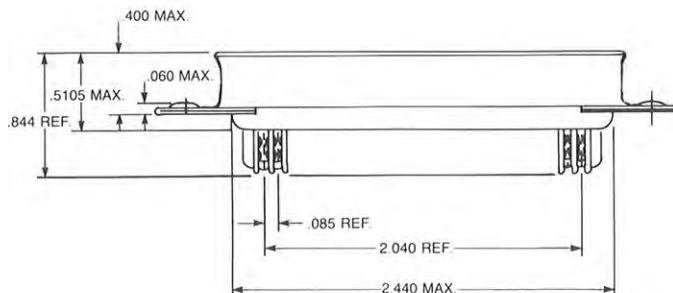
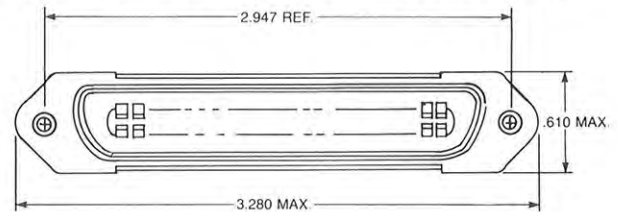
50 position plug for 4-40 mounting screws (not included)

Applications: Adapters, Peripheral Interface or Extended Cables

order information

Part Number: 157-12500-14 (441)

NOTE: See page 14 for specifications and order information for this connector.



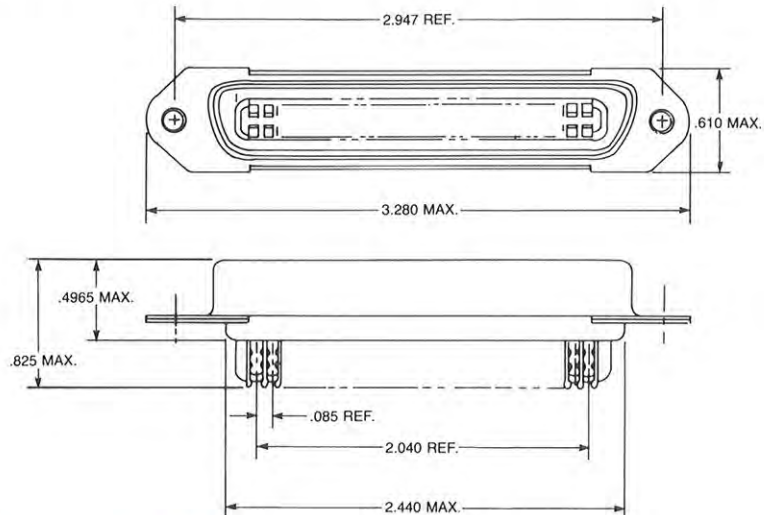
SCSI overmold cable connectors (IDC)

50 position receptacle for 4-40 screws (not included)

Applications: Adapters; Peripheral Interface; and Extended Cables

order information

Part Number: 157-22500-14 (441)



SCSI overmold hood kit for 50 position connectors

This kit, including two hermaphroditic hood shells and a ferrule, reduces user pre-mold operations thus lowering labor costs. Also, the single crimp ferrule eliminates the need for an inner/outer crimp typical of other product offerings.

applications

For use with the following Amphenol connectors:

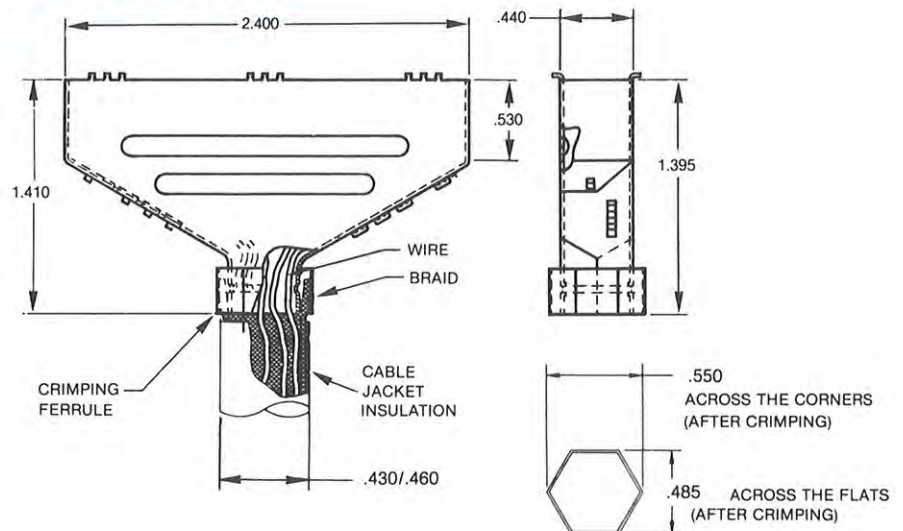
157-12500-10 (441) 157-12500-14 (441)

157-22500-14 (441) 157-42500 (441)

Use suffix "508" for connector & overmold hood combination kit, i.e., 157-12500-10-(508)

order information

Part Number: 157-1869-501

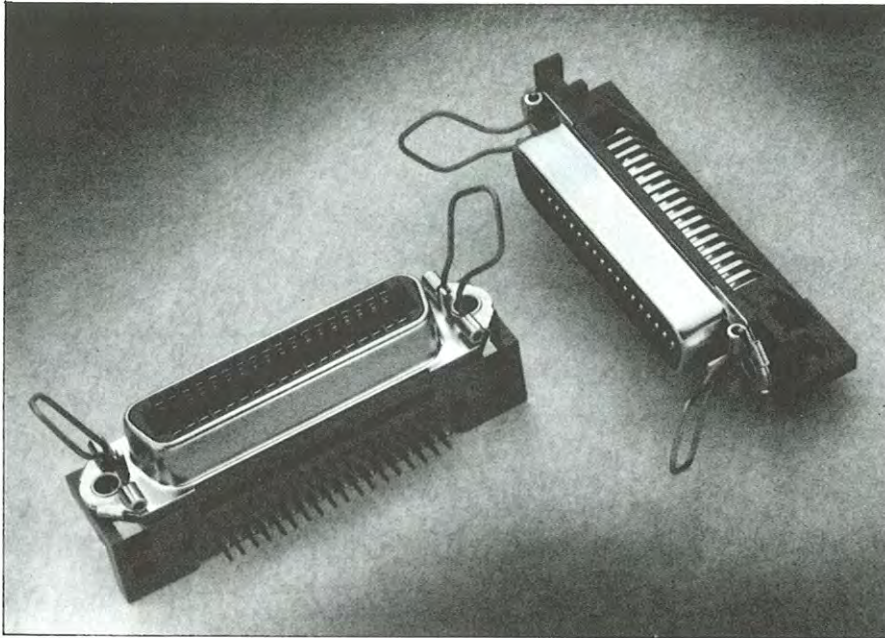


Assembly Instructions:

- 1.) Slide ferrule over the cable.
- 2.) Remove jacket insulation to appropriate length.
- 3.) Remove braid to appropriate length.
- 4.) Roll back braid over the jacket insulation.
- 5.) Terminate the connector.
- 6.) Assemble the overmold hoods.
- 7.) Roll back braid over the hoods.
- 8.) Slide ferrule over the braid such that the braid is sandwiched between the hood and ferrule.
- 9.) Crimp the ferrule.

general configuration

57LE series, right angle PC mount



description

Compatible with both Amphenol 57 series solder-type and 157 series insulation displacement-type connectors, the Amphenol 57LE series comprises a family of all-plastic Micro-Ribbon connectors unique in its versatility. Versatility that results, in part, from a flexibility of configuration that enables you to obtain an EMI/RFI shielding capability through use of metal front shells.

features

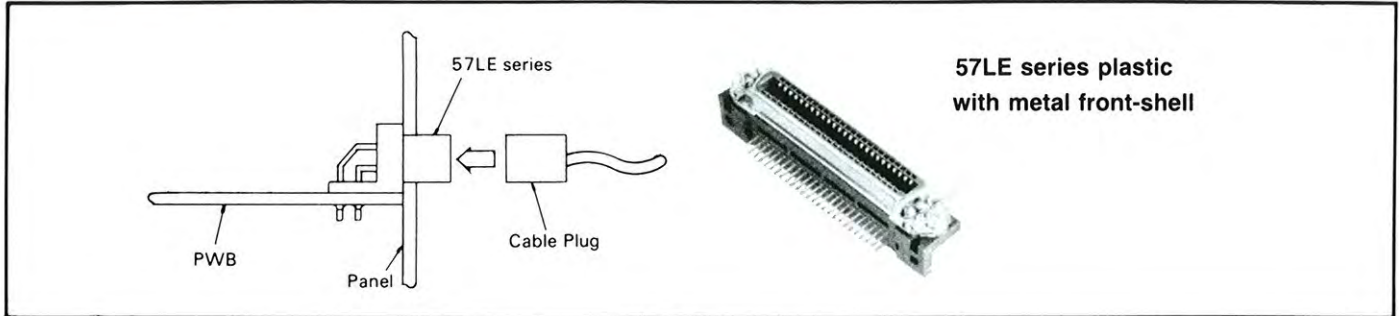
- Intermateable with Amphenol 57 series (solder termination) and 157 series Micro-Pierce® (solderless termination) connectors.
- Ribbon contacts are captivated in the connector housing to provide repeated mating and unmating without displacement of contacts.
- Availability of right angle header allows use of mass termination technology from P/C board to equipment panels.
- UL94V-0 flammability rated material.
- Alternative plating for application flexibility.

general specifications

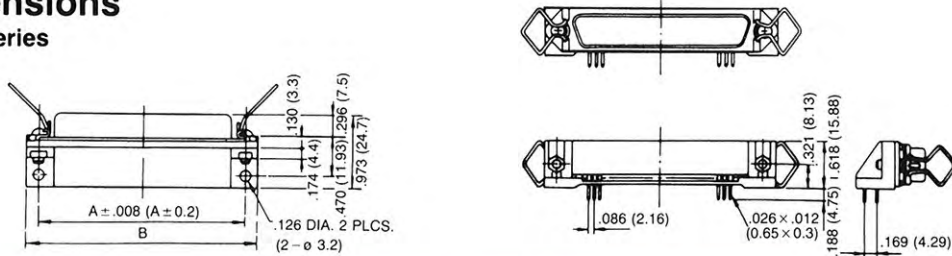
57LE

| | |
|---------------------------------|-----------------------------|
| Current capacity | 3 amp per contact |
| Voltage rating | 500V AC (RMS) |
| Operating temperature | -55°C to +105°C |
| Contact resistance | 35 MΩ max. at 1A DC |
| Insulation resistance | 1000 MΩ min. at 500V DC |
| Dielectric withstanding voltage | 1200V AC (RMS) at sea level |
| Contacts | Selectively gold plated |
| Dielectric | Polyester resin (UL 94V-0) |
| Front Shell (57LE) | Steel/nickel plating |
| Spring latch | Stainless steel |

right angle connectors 57LE series metal front shell

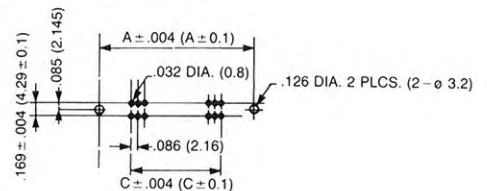


dimensions 57LE series



| Number of Contacts | A | | B | | C | | D | |
|--------------------|------|-------|------|-------|-------|-------|------|------|
| | In. | mm | In. | mm | In. | mm | In. | mm |
| 14 | 1.42 | 36.00 | 1.73 | 44.00 | .510 | 12.96 | 1.40 | 35.5 |
| 24 | 1.84 | 46.78 | 2.16 | 54.78 | .935 | 23.76 | 1.82 | 46.3 |
| 36 | 2.35 | 59.74 | 2.67 | 67.74 | 1.446 | 36.72 | 2.33 | 59.2 |
| 50 | 2.95 | 74.85 | 3.26 | 82.85 | 2.041 | 51.84 | 2.93 | 74.4 |

PC board layout

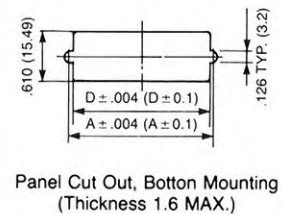


order information

57LE - 40XX 0 - X 7 O X X

| | |
|--|--|
| Series No. 57LE — Metallic Shell Type | Ground Tab Option Blank — 4-40 UNC D3 — 3.2mm hole D12 — M3 thread D29 — Boardlock (soldering tab) |
| Connector Type 40 — Receptacle with Spring Latches | Dielectric Material Color O — Blue B — Black |
| Number of Contacts 14, 24, 36, 50 | Cover O — Less Cover |
| Keyed Shell 0 — No Key | Tail Length 7 — .188 (4.75mm) |
| Contact Plating 7 — Contact area 15 micro-inches gold over nickel, tail area tin lead 8 — Gold flash over nickel, tail area tin lead | |

Panel cut-out



termination tooling

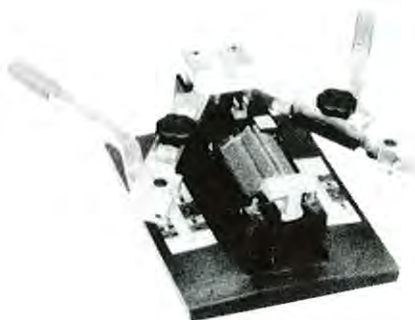
Insertion Tool No. 356-251

The hand insertion/repair tool is designed for single wire termination into Amphenol 157 series connectors as well as for the opening and closing of cable clamps.



Tele-Pierce® Hand Tool No. 356-246

This versatile bench mount tool is complete and ready for in-the-field termination of all types of running cable. It can be used as a low-volume production tool. Carrying case included.



Adapter Kit No. 356-247

For use with No. 356-246 Tele-Pierce Hand Tool, this adapter kit allows termination of all types and sizes of top and side cable entry connectors as well as rack and panel connectors.

termination tooling

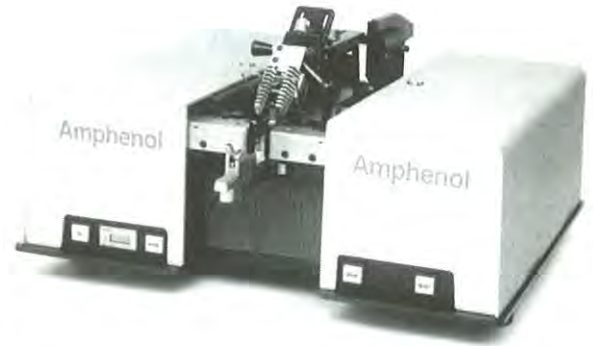
Electro-Pierce® Mark V Machine No. 359-429

The Electro-Pierce Mark V is a semi-automatic production tool for positioning and inserting cable one-pair-at-a-time into 157 series connectors. It features an internal micro-processor which controls all machine functions eliminating interconnecting cabling associated with external control units. Modularized design results in increased performance reliability and ease of maintenance. The Electro-Pierce Mark V can be programmed for termination of the complete line of 157 series connectors including 7, 12, 18, 25 and 32 wire pairs.

Also available for model "ACCU-PIERCE II"
P/N 359-8157 for high volume manufacturing.



P/N 359-429



P/N 359-8157

Pneumatic Crimp Tool (for overmold can) No. 358-408

Low cost pneumatic tool for hexagonal ferrule crimp. Lowers user installed cost on higher production applications. Crimp die No. 357-315-04 purchased separately.



Hand Crimp Tool (for overmold can) No. 357-315

Economical hand tool for hexagonal ferrule crimp to cable and hood. Crimp die (No. 357-315-04) purchased separately.



Crimp Die No. 357-315-04

Hexagonal crimp die for use with either hand crimp tool No. 357-315 or pneumatic crimp tool No. 358-408.



connector hardware and accessories

screws/nut

57-1523-02 #4-40 x 3/8" long slotted round head taptite screw for use on cable clamp assembly.

37-788-04 #2-56 NC-2A x 5/32" binding head machine screw with internal tooth lockwasher. Used to secure front and back shell on top and side cable entry connectors.

57-1815-02 #4-40 x 5/8" long NC-2A fillister head screw, rolled head. Long screw used to lock mated pairs of running cable connectors such as: 57-10500-7; 57-20500-7; 157-72500-3; and 57-82500-3.

34-1120 #3-48 NC2A x 5/16" long special screw for 57-60XXX connectors.

41-333-3 #3-48 Elastic nut and washer for 57-60XXX connectors.

57-1523-2P Short screw for end cable entry type (pg. 17 & 19)

57-1815-2P Long screw for end cable entry type (pg. 17 & 19)

latch

57-1002-02 Spring latch. Wire locking device used on female connectors such as 57-40XXX and 57-60XXX connectors.

57-1001-2 End disc. Retaining bracket for spring latch 57-1002-02.

57-2035-2P Spring latch for 57B series (pg. 9)

hoods

57-1030-2 Low profile hood (large 7/8" high) used on 57-10500-14 and 57-20500-7 connectors.

57-1031-2 Low profile hood (small 5/8" high) used on 57-10500-7 and 57-20500-19 connectors.

157-1836 Low profile plastic hood used on 157-79500-X and 157-89500-1 connectors, and connectors with deviation (431)

dust cover

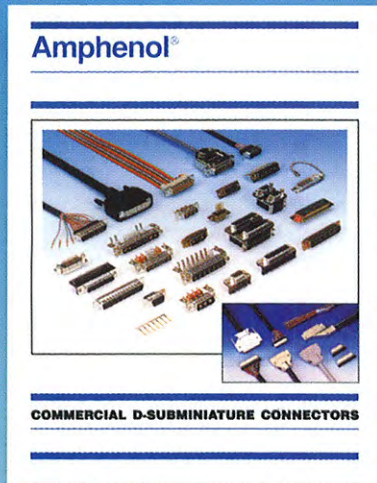
57-1763 Dust cover for 50 contact male or female connectors.

part number/page number index

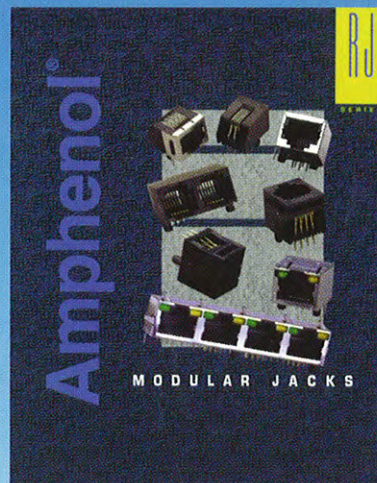
| Part Number | Page | Part Number | Page | Part Number | Page |
|-------------------|------|------------------|------|--------------------|-------|
| 34-0788-04 | 29 | 57-20140-04 | 3 | 57-40240-09 | 7 |
| 34-1120 | 29 | 57-20140-08 | 7 | 57-40240-11 | 7 |
| 41-0333-03 | 29 | 57-20140-10 | 7 | 57-40240-14 | 7 |
| 57-1001-02 | 29 | 57-20140-12 | 7 | 57-40240-15 | 8 |
| 57-1002-02 | 29 | 57-20240 | 3 | 57-40240-16 | 8 |
| 57-1030-02 | 29 | 57-20240-02 | 3 | 57-40360 | 4 |
| 57-1031-02 | 29 | 57-20240-08 | 7 | 57-40360-09 | 4 |
| 57-1523-02 | 29 | 57-20240-11 | 7 | 57-40360-12 | 7 |
| 57-1763 | 29 | 57-20240-14 | 7 | 57-40360-16 | 7 |
| 57-1815-02 | 29 | 57-20240-23 | 7 | 57-40360-21 | 8 |
| 57-1911-01 | 10 | 57-20240-24 | 8 | 57-40360-23 | 8 |
| 57-1912-02 | 10 | 57-20240-25 | 8 | 57-40360-24 | 7 |
| 57-2030 | 10 | 57-20360 | 3 | 57-40500 | 4 |
| 57-2031 | 10 | 57-20360-03 | 3 | 57-40500(441) | 22 |
| 57-2039-802 | 12 | 57-20360-09 | 7 | 57-40500-04 | 4 |
| 57-2039-902 | 12 | 57-20360-10 | 3 | 57-40500-09 | 7 |
| 57-2054 | 10 | 57-20360-13 | 7 | 57-40500-16 | 7 |
| 57-10140 | 3 | 57-20360-15 | 7 | 57-40500-23 | 8 |
| 57-10140-04 | 7 | 57-20360-19 | 7 | 57-40500-24 | 7 |
| 57-10140-05 | 7 | 57-20360-20 | 8 | 57-40500-26 | 8 |
| 57-10240 | 3 | 57-20360-21 | 8 | 57-50140 | 4,6 |
| 57-10240-03 | 7 | 57-20500 | 3 | 57-50240 | 4,6 |
| 57-10240-04 | 3 | 57-20500-06 | 3 | 57-50360 | 4,6 |
| 57-10240-05 | 7 | 57-20500-07 | 6 | 57-50500 | 4,6 |
| 57-10240-12 | 7 | 57-20500-07(402) | 6 | 57-60140 | 6 |
| 57-10240-13 | 8 | 57-20500-15 | 3 | 57-60240 | 6 |
| 57-10240-14 | 8 | 57-20500-19 | 6 | 57-60360 | 6 |
| 57-10360 | 3 | 57-20500-31 | 7 | 57-60500 | 6 |
| 57-10360-13 | 7 | 57-20500-58 | 7 | 57-BX50X-XXX00 | 9,21 |
| 57-10360-14 | 3 | 57-20500-65 | 7 | 157-1836 | 29 |
| 57-10360-17 | 7 | 57-20500-79 | 8 | 157-1869-501 | 24 |
| 57-10360-22 | 3 | 57-20500-85 | 7 | 157-12140 | 14 |
| 57-10360-25 | 7 | 57-20500-87 | 8 | 157-12240 | 14 |
| 57-10360-26 | 8 | 57-20640 | 3 | 157-12360 | 14 |
| 57-10360-27 | 8 | 57-30140 | 4,6 | 157-12360-05 (441) | 15 |
| 57-10360-28 (441) | 5 | 57-30240 | 4,6 | 157-12500 | 14 |
| 57-10360-29 (441) | 5 | 57-30360 | 4,6 | 157-12500-03 | 14 |
| 57-10500 | 3 | 57-30360-18 | 4 | 157-12500-10(441) | 15,22 |
| 57-10500-06 | 3 | 57-30500 | 6 | 157-12500-14(441) | 23 |
| 57-10500-07 | 6 | 57-30500-03 | 4,6 | 157-12640 | 14 |
| 57-10500-07(402) | 6 | 57-33140-01 | 5 | 157-19500-01 | 19 |
| 57-10500-14 | 6 | 57-33140-02 | 5 | 157-19500-02 | 19 |
| 57-10500-14(402) | 6 | 57-33240-01 | 5 | 157-22140 | 14 |
| 57-10500-27 | 7 | 57-33240-02 | 5 | 157-22240 | 14 |
| 57-10500-46 | 7 | 57-33360-01 | 5 | 157-22360 | 14 |
| 57-10500-48 | 3 | 57-33360-02 | 5 | 157-22500 | 14 |
| 57-10500-69 | 8 | 57-33500-01 | 5 | 157-22500-03 | 14 |
| 57-10500-73 | 7 | 57-33500-02 | 5 | 157-22500-14(441) | 24 |
| 57-10500-77 | 8 | 57-40140 | 4 | 157-22640 | 14 |
| 57-10500-79(441) | 5,21 | 57-40140-8 | 7 | 157-29500-01 | 19 |
| 57-10640 | 3 | 57-40140-11 | 7 | 157-29500-02 | 19 |
| 57-20140 | 3 | 57-40240 | 4 | 157-29500-03 | 19 |

part number / page number index

| Part Number | Page |
|---------------------------|-------|
| 157-29500-04 | 19 |
| 157-32140 | 14,16 |
| 157-32240 | 14,16 |
| 157-32360 | 14,16 |
| 157-32360-03 | 14 |
| 157-32500 | 14,16 |
| 157-42140 | 14,15 |
| 157-42240 | 14,15 |
| 157-42360 | 14,15 |
| 157-42500 | 14,15 |
| 157-42500(441) | 23 |
| 157-52140 | 15 |
| 157-52240 | 15 |
| 157-52360 | 15 |
| 157-52500 | 15 |
| 157-62140 | 16 |
| 157-62240 | 16 |
| 157-62360 | 16 |
| 157-62500 | 16 |
| 157-72500-03 | 17 |
| 157-72500-03(431) | 17 |
| 157-72500-18 | 17 |
| 157-79500-01 | 19 |
| 157-79500-02 | 19 |
| 157-82500-03 | 17 |
| 157-82500-03(431) | 17 |
| 157-82500-18 | 17 |
| 157-89500-01 | 19 |
| 157-89500-02 | 19 |
| 356-246 | 27 |
| 356-247 | 27 |
| 356-251 | 27 |
| 356-265 | 27 |
| 356-265-80 | 27 |
| 356-265-81 | 27 |
| 356-265-91 | 27 |
| 356-268 | 27 |
| 357-315 | 28 |
| 357-315-04 | 28 |
| 358-408 | 28 |
| 359-429 | 28 |
| 408-153818 | 3,14 |
| 408-153819 | 3,14 |
| 57LE-40XX0-X70X (X) | 26 |



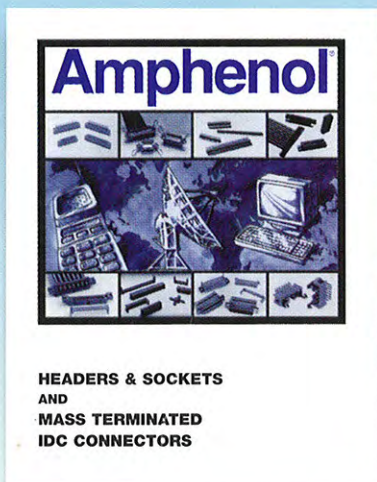
**D-Subminiature
Connectors**



RJ Modular Jacks



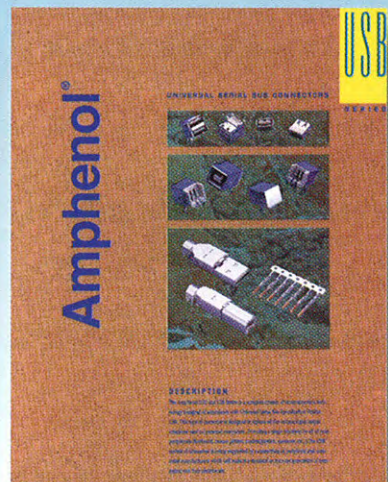
**FCC Filtered
Connectors**



**Mass Terminated
IDC Connections**



**DIN 41612 Circuit
Board Connectors**



**Universal Serial
Bus Connectors**

Amphenol®

Data / Telecom Products

20 Melford Drive
Scarborough, Ontario
Canada M1B 2X6

Telephone: (416) 754-5656
Facsimile: (416) 754-8668

E-mail: sales@amphenolcanada.com

© Amphenol Canada Corp.
Specifications subject to change without notice.
Printed in Canada

CATALOGUE NR. ADT 0005/98-03

Данный компонент на территории Российской Федерации

Вы можете приобрести в компании MosChip.

Для оперативного оформления запроса Вам необходимо перейти по данной ссылке:

<http://moschip.ru/get-element>

Вы можете разместить у нас заказ для любого Вашего проекта, будь то серийное производство или разработка единичного прибора.

В нашем ассортименте представлены ведущие мировые производители активных и пассивных электронных компонентов.

Нашей специализацией является поставка электронной компонентной базы двойного назначения, продукции таких производителей как XILINX, Intel (ex.ALTERA), Vicor, Microchip, Texas Instruments, Analog Devices, Mini-Circuits, Amphenol, Glenair.

Сотрудничество с глобальными дистрибьюторами электронных компонентов, предоставляет возможность заказывать и получать с международных складов практически любой перечень компонентов в оптимальные для Вас сроки.

На всех этапах разработки и производства наши партнеры могут получить квалифицированную поддержку опытных инженеров.

Система менеджмента качества компании отвечает требованиям в соответствии с ГОСТ Р ИСО 9001, ГОСТ РВ 0015-002 и ЭС РД 009

Офис по работе с юридическими лицами:

105318, г.Москва, ул.Щербаковская д.3, офис 1107, 1118, ДЦ «Щербаковский»

Телефон: +7 495 668-12-70 (многоканальный)

Факс: +7 495 668-12-70 (доб.304)

E-mail: info@moschip.ru

Skype отдела продаж:

moschip.ru

moschip.ru_4

moschip.ru_6

moschip.ru_9