

**128Kx16 LOW VOLTAGE,  
 ULTRA LOW POWER CMOS STATIC RAM**

**KEY FEATURES**

- High-speed access time: 45ns, 55ns
- CMOS low power operation
  - Operating Current: 18 mA (max) at 85°C
  - CMOS Standby Current: 5.4uA (typ) at 25°C
- TTL compatible interface levels
- Single power supply
  - 1.65V-2.2V V<sub>DD</sub> (IS62WV12816EALL)
  - 2.2V-3.6V V<sub>DD</sub> (IS62/65WV12816EBLL)
- Three state outputs
- Industrial and Automotive temperature support
- Lead-free available

**DESCRIPTION**

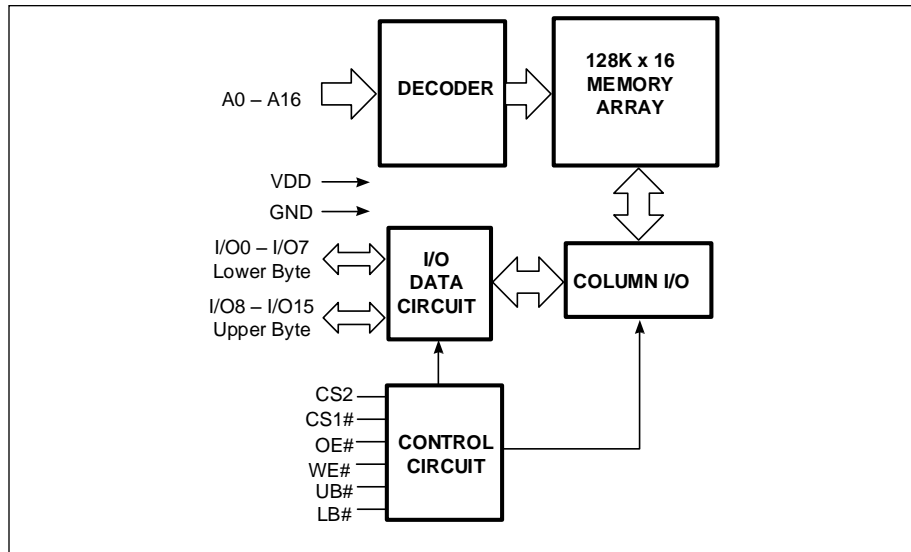
The *ISSI* IS62/65WV12816EALL/EBLL are high-speed, 2M bit static RAMs organized as 128K words by 16 bits. It is fabricated using *ISSI*'s high-performance CMOS technology. This highly reliable process coupled with innovative circuit design techniques, yields high-performance and low power consumption devices.

When CS1# is HIGH (deselected) or when CS2 is LOW (deselected) or when CS1# is LOW, CS2 is HIGH and both LB# and UB# are HIGH, the device assumes a standby mode at which the power dissipation can be reduced down with CMOS input levels.

Easy memory expansion is provided by using Chip Enable and Output Enable inputs. The active LOW Write Enable (WE#) controls both writing and reading of the memory. A data byte allows Upper Byte (UB#) and Lower Byte (LB#) access.

The IS62/65WV12816EALL/EBLL are packaged in the JEDEC standard 48-pin mini BGA (6mm x 8mm) and 44-Pin TSOP (TYPE II)

**BLOCK DIAGRAM**



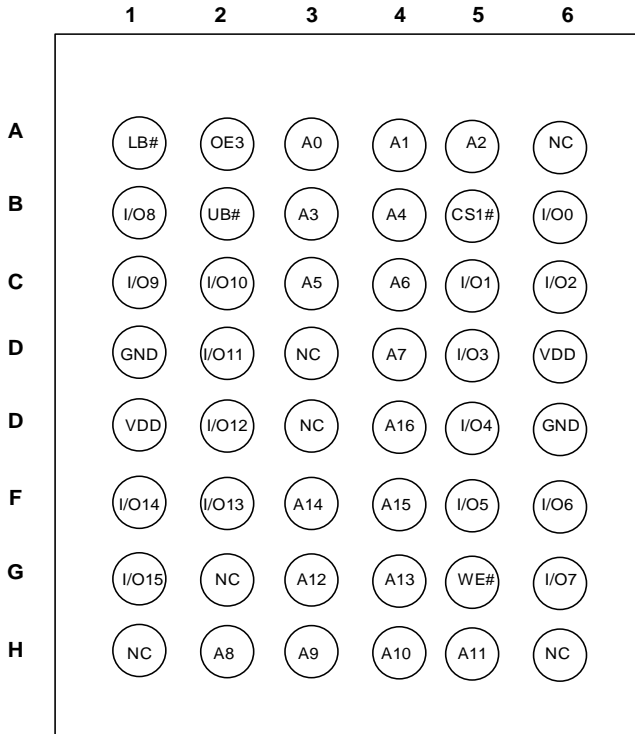
Copyright © 2016 Integrated Silicon Solution, Inc. All rights reserved. ISSI reserves the right to make changes to this specification and its products at any time without notice. ISSI assumes no liability arising out of the application or use of any information, products or services described herein. Customers are advised to obtain the latest version of this device specification before relying on any published information and before placing orders for products.

Integrated Silicon Solution, Inc. does not recommend the use of any of its products in life support applications where the failure or malfunction of the product can reasonably be expected to cause failure of the life support system or to significantly affect its safety or effectiveness. Products are not authorized for use in such applications unless Integrated Silicon Solution, Inc. receives written assurance to its satisfaction, that:

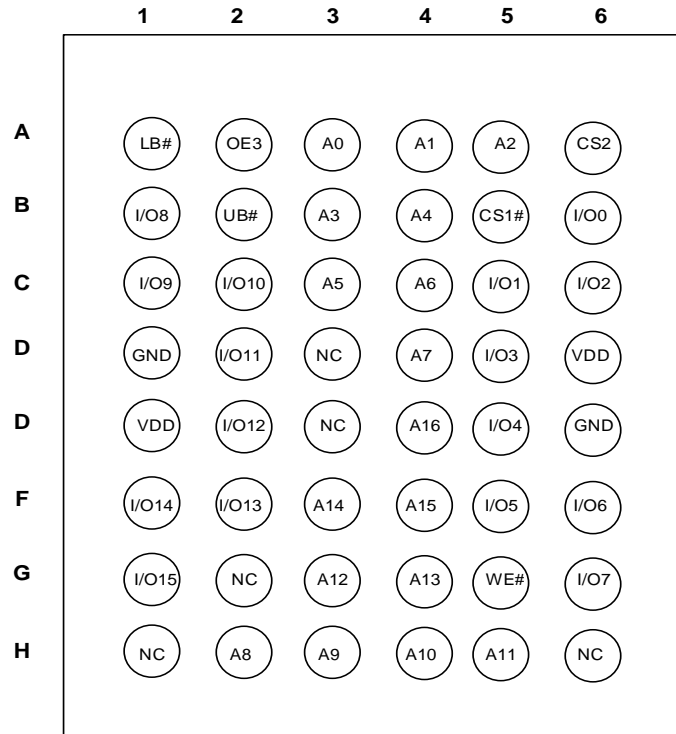
- a.) the risk of injury or damage has been minimized;
- b.) the user assume all such risks; and
- c.) potential liability of Integrated Silicon Solution, Inc is adequately protected under the circumstances

## PIN CONFIGURATIONS

**48-Pin mini BGA (6mm x 8mm)**  
**(Package Code B)**



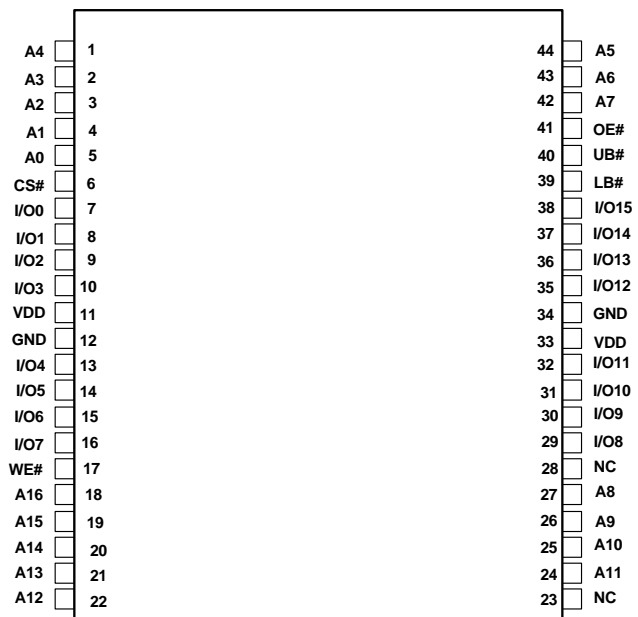
**48-Pin mini BGA (6mm x 8mm)**  
**2 CS Option (Package Code B2)**



## PIN DESCRIPTIONS

A0-A16	Address Inputs
I/O0-I/O15	Data Inputs/Outputs
CS1#, CS2	Chip Enable Input
OE#	Output Enable Input
WE#	Write Enable Input
LB#	Lower-byte Control (I/O0-I/O7)
UB#	Upper-byte Control (I/O8-I/O15)
NC	No Connection
VDD	Power
GND	Ground

**44-Pin mini TSOP (Type II)**  
**(Package Code T)**



## FUNCTION DESCRIPTION

SRAM is one of random access memories. Each byte or word has an address and can be accessed randomly. SRAM has three different modes supported. Each function is described below with Truth Table.

### STANDBY MODE

Device enters standby mode when deselected (CS1# HIGH or CS2 LOW or both UB# and LB# are HIGH). The input and output pins (I/O0-15) are placed in a high impedance state. The current consumption in this mode will be ISB1 or ISB2. CMOS input in this mode will maximize saving power.

### WRITE MODE

Write operation issues with Chip selected (CS1# LOW and CS2 HIGH) and Write Enable (WE#) input LOW. The input and output pins (I/O0-15) are in data input mode. Output buffers are closed during this time even if OE# is LOW. UB# and LB# enables a byte write feature. By enabling LB# LOW, data from I/O pins (I/O0 through I/O7) are written into the location specified on the address pins. And with UB# being LOW, data from I/O pins (I/O8 through I/O15) are written into the location.

### READ MODE

Read operation issues with Chip selected (CS1# LOW and CS2 HIGH) and Write Enable (WE#) input HIGH. When OE# is LOW, output buffer turns on to make data output. Any input to I/O pins during READ mode is not permitted. UB# and LB# enables a byte read feature. By enabling LB# LOW, data from memory appears on I/O0-7. And with UB# being LOW, data from memory appears on I/O8-15.

In the READ mode, output buffers can be turned off by pulling OE# HIGH. In this mode, internal device operates as READ but I/Os are in a high impedance state. Since device is in READ mode, active current is used.

### TRUTH TABLE

Mode	CS1#	CS2	WE#	OE#	LB#	UB#	I/O0-I/O7	I/O8-I/O15	VDD Current
Not Selected	H	X	X	X	X	X	High-Z	High-Z	ISB1,ISB2
	X	L	X	X	X	X	High-Z	High-Z	
	X	X	X	X	H	H	High-Z	High-Z	
Output Disabled	L	H	H	H	L	X	High-Z	High-Z	ICC
	L	H	H	H	X	L	High-Z	High-Z	
Read	L	H	H	L	L	H	DOUT	High-Z	ICC
	L	H	H	L	H	L	High-Z	DOUT	
	L	H	H	L	L	L	DOUT	DOUT	
Write	L	H	L	X	L	H	DIN	High-Z	ICC
	L	H	L	X	H	L	High-Z	DIN	
	L	H	L	X	L	L	DIN	DIN	

## ABSOLUTE MAXIMUM RATINGS AND OPERATING RANGE

### ABSOLUTE MAXIMUM RATINGS <sup>(1)</sup>

Symbol	Parameter	Value	Unit
Vterm	Terminal Voltage with Respect to GND	-0.2 to +3.9(V <sub>DD</sub> +0.3V)	V
tBIAS	Temperature Under Bias	-55 to +125	°C
V <sub>DD</sub>	V <sub>DD</sub> Related to GND	-0.2 to +3.9(V <sub>DD</sub> +0.3V)	V
tStg	Storage Temperature	-65 to +150	°C
I <sub>OUT</sub> <sup>(2)</sup>	DC Output Current (LOW)	20	mA

Notes:

- Stress greater than those listed under ABSOLUTE MAXIMUM RATINGS may cause permanent damage to the device. This is a stress rating only and functional operation of the device at these or any other conditions above those indicated in the operational sections of this specification is not implied. Exposure to absolute maximum rating conditions for extended periods may affect reliability.
- This condition is not per pin. Total current of all pins must meet this value.

### OPERATING RANGE <sup>(1)</sup>

Range	Device Marking	Ambient Temperature	V <sub>DD</sub>
Commercial	IS62WV12816EALL	0°C to +70°C	1.65V-2.2V
Industrial	IS62WV12816EALL	-40°C to +85°C	1.65V-2.2V
Commercial	IS62WV12816EBLL	0°C to +70°C	2.2V-3.6V
Industrial	IS62WV12816EBLL	-40°C to +85°C	2.2V-3.6V
Automotive	IS65WV12816EBLL	-40°C to +125°C	2.2V-3.6V

Note:

- Full device AC operation assumes a 100 µs ramp time from 0 to V<sub>cc</sub>(min) and 200 µs wait time after V<sub>cc</sub> stabilization.

### PIN CAPACITANCE <sup>(1)</sup>

Parameter	Symbol	Test Condition	Max	Units
Input capacitance	C <sub>IN</sub>	T <sub>A</sub> = 25°C, f = 1 MHz, V <sub>DD</sub> = V <sub>DD</sub> (typ)	10	pF
DQ capacitance (IO0–IO15)	C <sub>I/O</sub>		10	pF

Note:

- These parameters are guaranteed by design and tested by a sample basis only.

### THERMAL CHARACTERISTICS <sup>(1)</sup>

Parameter	Symbol	Rating	Units
Thermal resistance from junction to ambient (airflow = 1m/s)	R <sub>θJA</sub>	TBD	°C/W
Thermal resistance from junction to pins	R <sub>θJB</sub>	TBD	°C/W
Thermal resistance from junction to case	R <sub>θJC</sub>	TBD	°C/W

Note:

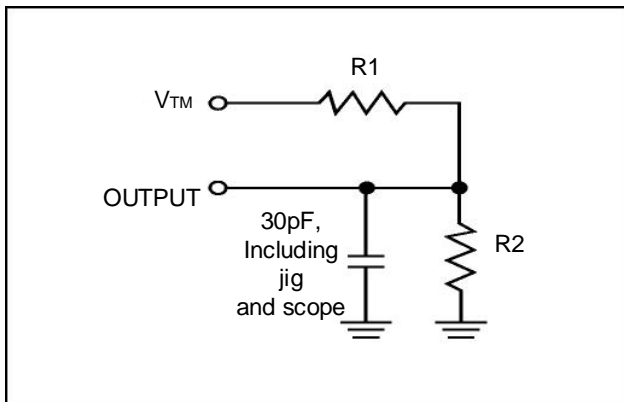
- These parameters are guaranteed by design and tested by a sample basis only.

**AC TEST CONDITIONS (OVER THE OPERATING RANGE)**

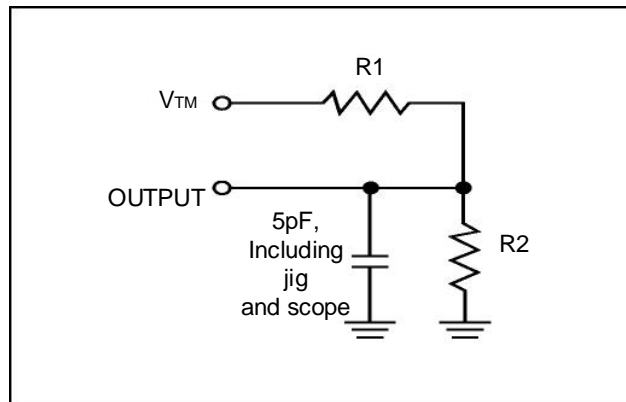
Parameter	Unit (1.65V~2.2V)	Unit (2.2V~3.6V)
Input Pulse Level	0V to $V_{DD}$	0V to $V_{DD}$
Input Rise and Fall Time	1V/ns	1V/ns
Output Timing Reference Level	0.9V	$\frac{1}{2} V_{DD}$
R1	13500	1005
R2	10800	820
$V_{TM}$	1.8V	$V_{DD}$
Output Load Conditions	Refer to Figure 1 and 2	

**OUTPUT LOAD CONDITIONS FIGURES**

**FIGURE 1**



**FIGURE 2**



## ELECTRICAL CHARACTERISTICS

### IS62WV12816EALL DC ELECTRICAL CHARACTERISTICS-I (OVER THE OPERATING RANGE)

Symbol	Parameter	Test Conditions	Min.	Max.	Unit
$V_{OH}$	Output HIGH Voltage	$I_{OH} = -0.1 \text{ mA}$	1.4	—	V
$V_{OL}$	Output LOW Voltage	$I_{OL} = 0.1 \text{ mA}$	—	0.2	V
$V_{IH}^{(1)}$	Input HIGH Voltage		1.4	$V_{DD} + 0.2$	V
$V_{IL}^{(1)}$	Input LOW Voltage		-0.2	0.4	V
$I_{LI}$	Input Leakage	$GND < V_{IN} < V_{DD}$	-1	1	$\mu\text{A}$
$I_{LO}$	Output Leakage	$GND < V_{IN} < V_{DD}$ , Output Disabled	-1	1	$\mu\text{A}$

Notes:

- $V_{ILL}(\text{min}) = -1.0\text{V AC}$  (pulse width < 10ns). Not 100% tested.  
 $V_{IHH}(\text{max}) = V_{DD} + 1.0\text{V AC}$  (pulse width < 10ns). Not 100% tested.

### IS62(5)WV12816EBLL DC ELECTRICAL CHARACTERISTICS-I (OVER THE OPERATING RANGE)

Symbol	Parameter	Test Conditions	Min.	Max.	Unit
$V_{OH}$	Output HIGH Voltage	$2.2 \leq V_{DD} < 2.7$ , $I_{OH} = -0.1 \text{ mA}$	2.0	—	V
		$2.7 \leq V_{DD} \leq 3.6$ , $I_{OH} = -1.0 \text{ mA}$	2.4	—	V
$V_{OL}$	Output LOW Voltage	$2.2 \leq V_{DD} < 2.7$ , $I_{OL} = 0.1 \text{ mA}$	—	0.4	V
		$2.7 \leq V_{DD} \leq 3.6$ , $I_{OL} = 2.1 \text{ mA}$	—	0.4	V
$V_{IH}^{(1)}$	Input HIGH Voltage	$2.2 \leq V_{DD} < 2.7$	1.8	$V_{DD} + 0.3$	V
		$2.7 \leq V_{DD} \leq 3.6$	2.2	$V_{DD} + 0.3$	V
$V_{IL}^{(1)}$	Input LOW Voltage	$2.2 \leq V_{DD} < 2.7$	-0.3	0.6	V
		$2.7 \leq V_{DD} \leq 3.6$	-0.3	0.8	V
$I_{LI}$	Input Leakage	$GND < V_{IN} < V_{DD}$	-1	1	$\mu\text{A}$
$I_{LO}$	Output Leakage	$GND < V_{IN} < V_{DD}$ , Output Disabled	-1	1	$\mu\text{A}$

Notes:

- $V_{ILL}(\text{min}) = -2.0\text{V AC}$  (pulse width < 10ns). Not 100% tested.  
 $V_{IHH}(\text{max}) = V_{DD} + 2.0\text{V AC}$  (pulse width < 10ns). Not 100% tested.

**IS62WV12816EALL DC ELECTRICAL CHARACTERISTICS-II FOR POWER**  
**(OVER THE OPERATING RANGE)**

Symbol	Parameter	Test Conditions	Grade	55ns		Unit	
				Typ <sup>(1)</sup>	Max		
ICC	V <sub>DD</sub> Dynamic Operating Supply Current	V <sub>DD</sub> =V <sub>DD</sub> (max), I <sub>OUT</sub> =0mA, f = f <sub>max</sub> CS1# = V <sub>IL</sub> , CS2 = V <sub>IH</sub>	Com.	10	15	mA	
			Ind.	-	18		
ICC1	V <sub>DD</sub> Static Operating Supply Current	V <sub>DD</sub> =V <sub>DD</sub> (max), I <sub>OUT</sub> = 0mA, f=0 CS1# = V <sub>IL</sub> , CS2 = V <sub>IH</sub>	Com.	1	3	mA	
			Ind.	-	3		
ISB2	CMOS Standby Current (CMOS Inputs)	V <sub>DD</sub> = V <sub>DD</sub> (max), f = 0, CS1# ≥ V <sub>DD</sub> - 0.2V or 0V ≤ CS2 ≤ 0.2V or LB# and UB# ≥ V <sub>DD</sub> - 0.2V VIN ≤ 0.2V or VIN ≥ V <sub>DD</sub> - 0.2V	Com.	25°C	5.4	10	μA
				45°C	5.6	11	
				70°C	7.0	13	
			Ind.	85°C	7.6	16	

Note:

- Typical values are included for reference only and are not guaranteed or tested. Typical values are measured at VDD = 1.8V

**IS62(5)WV12816EBLL DC ELECTRICAL CHARACTERISTICS-II FOR POWER**  
**(OVER THE OPERATING RANGE)**

Symbol	Parameter	Test Conditions	Grade	45/55ns		Unit	
				Typ <sup>(1)</sup>	Max		
ICC	V <sub>DD</sub> Dynamic Operating Supply Current	V <sub>DD</sub> =V <sub>DD</sub> (max), I <sub>OUT</sub> =0mA, f = f <sub>max</sub> CS1# = V <sub>IL</sub> , CS2 = V <sub>IH</sub>	Com.	10	15	mA	
			Ind.	-	18		
			Auto.	-	25		
ICC1	V <sub>DD</sub> Static Operating Supply Current	V <sub>DD</sub> =V <sub>DD</sub> (max), I <sub>OUT</sub> = 0mA, f=0 CS1# = V <sub>IL</sub> , CS2 = V <sub>IH</sub>	Com.	1	3	mA	
			Ind.	-	3		
			Auto.	-	4		
ISB2	CMOS Standby Current (CMOS Inputs)	V <sub>DD</sub> = V <sub>DD</sub> (max), f = 0, CS1# ≥ V <sub>DD</sub> - 0.2V or 0V ≤ CS2 ≤ 0.2V or LB# and UB# ≥ V <sub>DD</sub> - 0.2V VIN ≤ 0.2V or VIN ≥ V <sub>DD</sub> - 0.2V	Com.	25°C	5.4	10	μA
				45°C	5.6	11	
				70°C	7.0	13	
			Ind.	85°C	7.6	16	
			Auto.	125°C	12.6	32	

Note:

- Typical values are included for reference only and are not guaranteed or tested. Typical values are measured at VDD = 3.0V

## AC CHARACTERISTICS <sup>(6)</sup> (OVER OPERATING RANGE)

### READ CYCLE AC CHARACTERISTICS

Parameter	Symbol	45ns		55ns		unit	notes
		Min	Max	Min	Max		
Read Cycle Time	tRC	45	-	55	-	ns	1,5
Address Access Time	tAA	-	45	-	55	ns	1
Output Hold Time	tOHA	8	-	8	-	ns	1
CS1#, CS2 Access Time	tACS1/tACS2	-	45	-	55	ns	1
OE# Access Time	tDOE	-	22	-	25	ns	1
OE# to High-Z Output	tHZOE	-	18	-	18	ns	2
OE# to Low-Z Output	tLZOE	5	-	5	-	ns	2
CS1#, CS2 to High-Z Output	tHZCS/tHZCS2	-	18	-	18	ns	2
CS1#, CS2 to Low-Z Output	tLZCS/tLZCS2	10	-	10	-	ns	2
UB#, LB# Access Time	tBA	45	-	55	-	ns	1,7
UB#, LB# to High-Z Output	tHZB	-	18	-	18	ns	2
UB#, LB# to Low-Z Output	tLZB	10	-	10	-	ns	2

### WRITE CYCLE AC CHARACTERISTICS

Parameter	Symbol	45ns		55ns		unit	notes
		Min	Max	Min	Max		
Write Cycle Time	tWC	45	-	55	-	ns	1,3,5
CS1#, CS2 to Write End	tSCS1/tSCS2	35	-	40	-	ns	1,3
Address Setup Time to Write End	tAW	35	-	40	-	ns	1,3
Address Hold from Write End	tHA	0	-	0	-	ns	1,3
Address Setup Time	tSA	0	-	0	-	ns	1,3
UB#,LB# to Write End	tPWB	35	-	40	-	ns	1,3
WE# Pulse Width	tPWE	35	-	40	-	ns	1,3,4
Data Setup to Write End	tSD	28	-	28	-	ns	1,3
Data Hold from Write End	tHD	0	-	0	-	ns	1,3
WE# LOW to High-Z Output	tHZWE	-	18	-	18	ns	2,3
WE# HIGH to Low-Z Output	tLZWE	10	-	10	-	ns	2,3

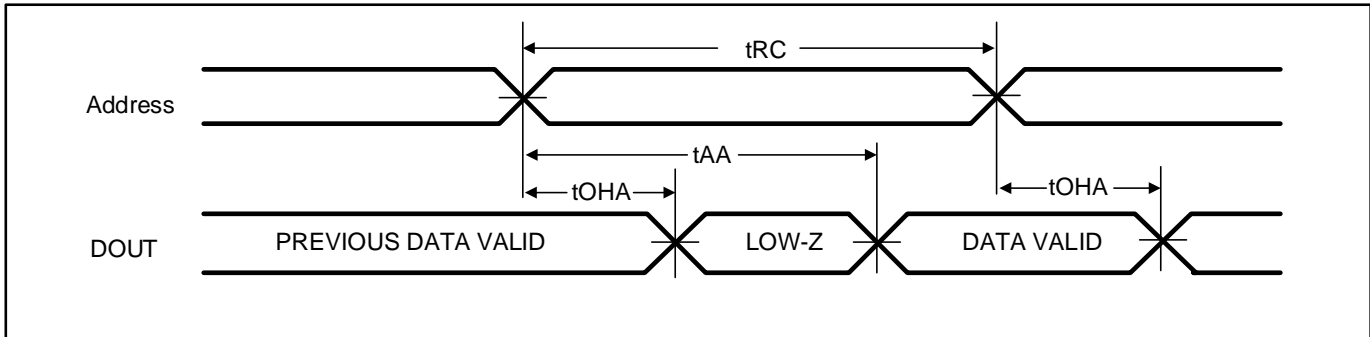
Notes:

1. Tested with the load in Figure 1.
2. Tested with the load in Figure 2. Transition is measured  $\pm 500$  mV from steady-state voltage. tHZOE, tHZCS, tHZB, and tHZWE transitions are measured when the output enters a high impedance state. Not 100% tested.
3. The internal write time is defined by the overlap of CS1# = LOW, CS2=HIGH, UB# or LB# = LOW, and WE# = LOW. All four conditions must be in valid states to initiate a Write, but any condition can go inactive to terminate the Write. The Data Input Setup and Hold timing are referenced to the rising or falling edge of the signal that terminates the write.
4. tPWE > tHZWE + tSD when OE# is LOW.
5. Address inputs must meet V<sub>IH</sub> and V<sub>IL</sub> SPEC during this period. Any glitch or unknown inputs are not permitted. Unknown input with standby mode is acceptable.
6. Data retention characteristics are defined later in DATA RETENTION CHARACTERISTICS.



## TIMING DIAGRAM

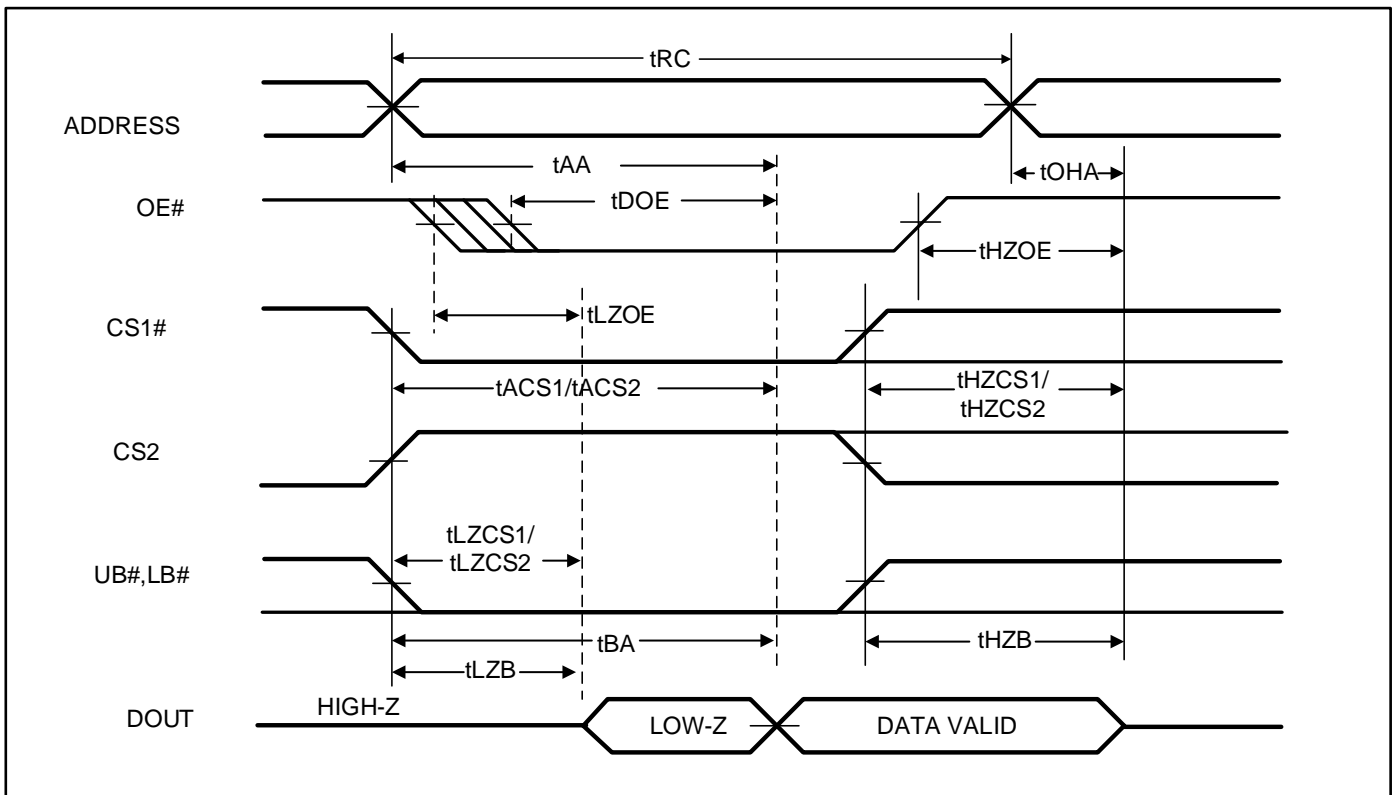
READ CYCLE NO. 1<sup>(1)</sup> (ADDRESS CONTROLLED, CS1# = OE# = UB# = LB# = LOW, CS2 = WE# = HIGH)



Note:

1. The device is continuously selected.

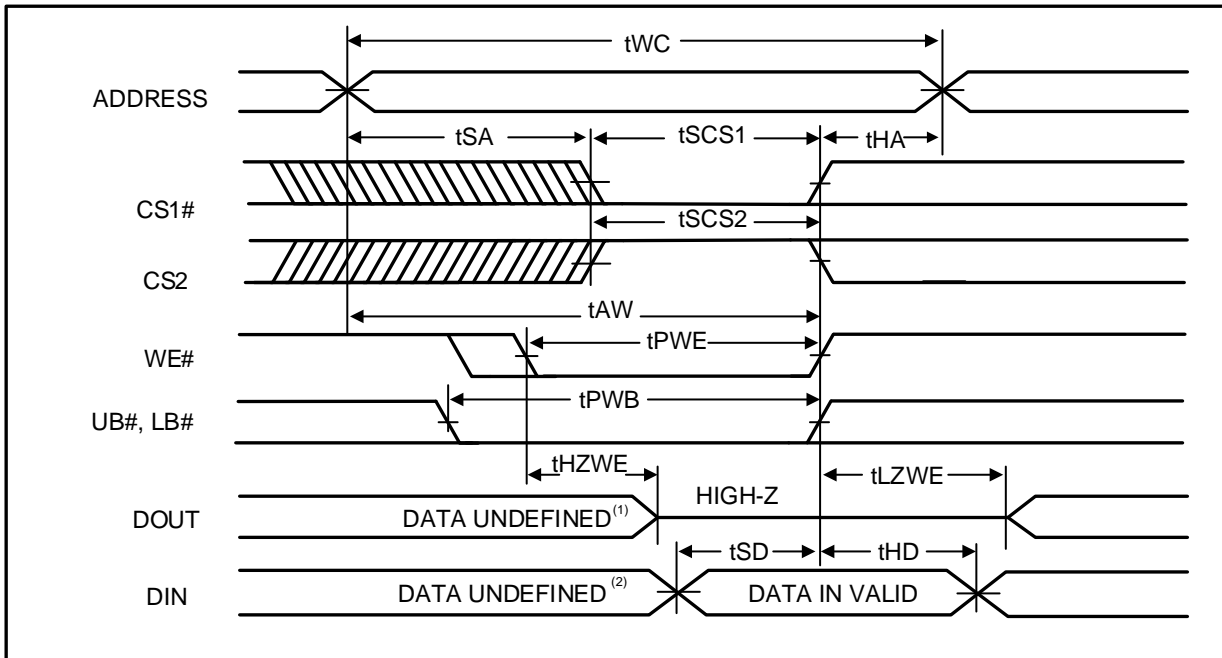
READ CYCLE NO.2<sup>(1)</sup> (OE# CONTROLLED)



Note:

1. Address is valid prior to or coincident with CS1# LOW or CS2 HIGH transition.

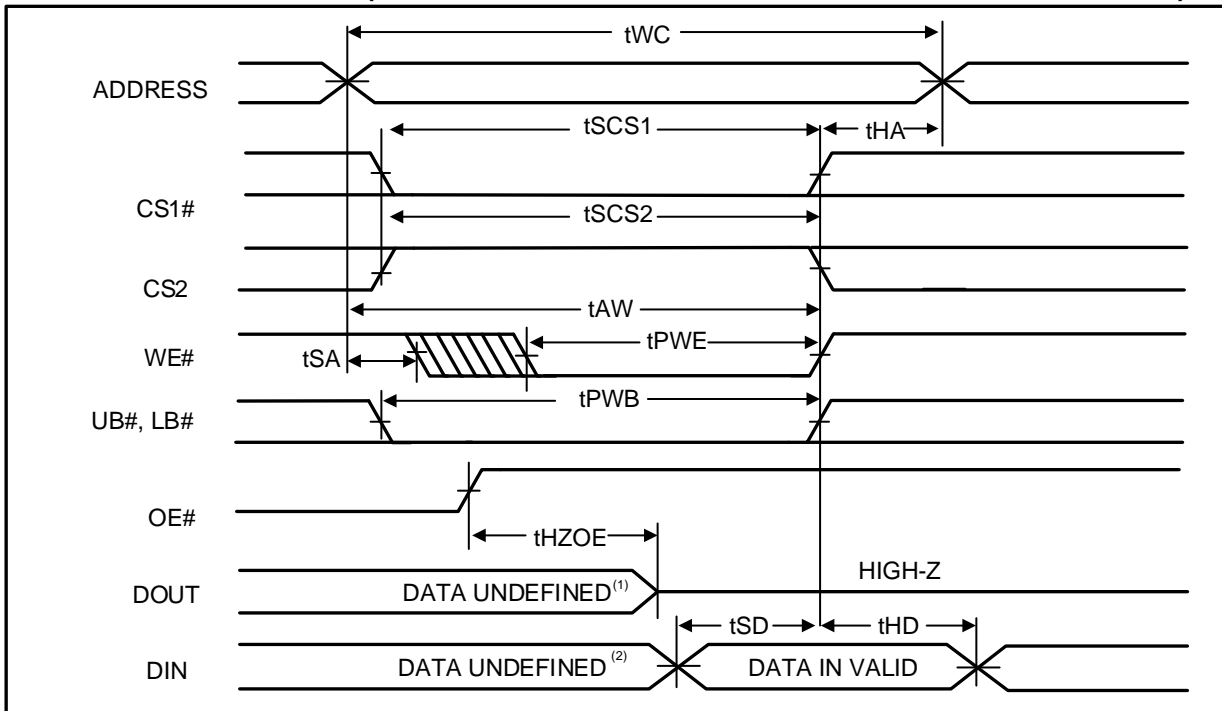
**WRITE CYCLE NO.1 <sup>(1,2)</sup> (CS1# , CS2 Controlled, OE# = HIGH or LOW)**



Notes:

1. tHZWE is based on the assumption when tSA=0nS after READ operation. Actual DOUT for tHZWE may not appear if OE# goes high before Write Cycle. tHZOE is the time DOUT goes to High-Z after OE# goes high.
2. During this period, the I/Os are in output state. Do not apply input signals.

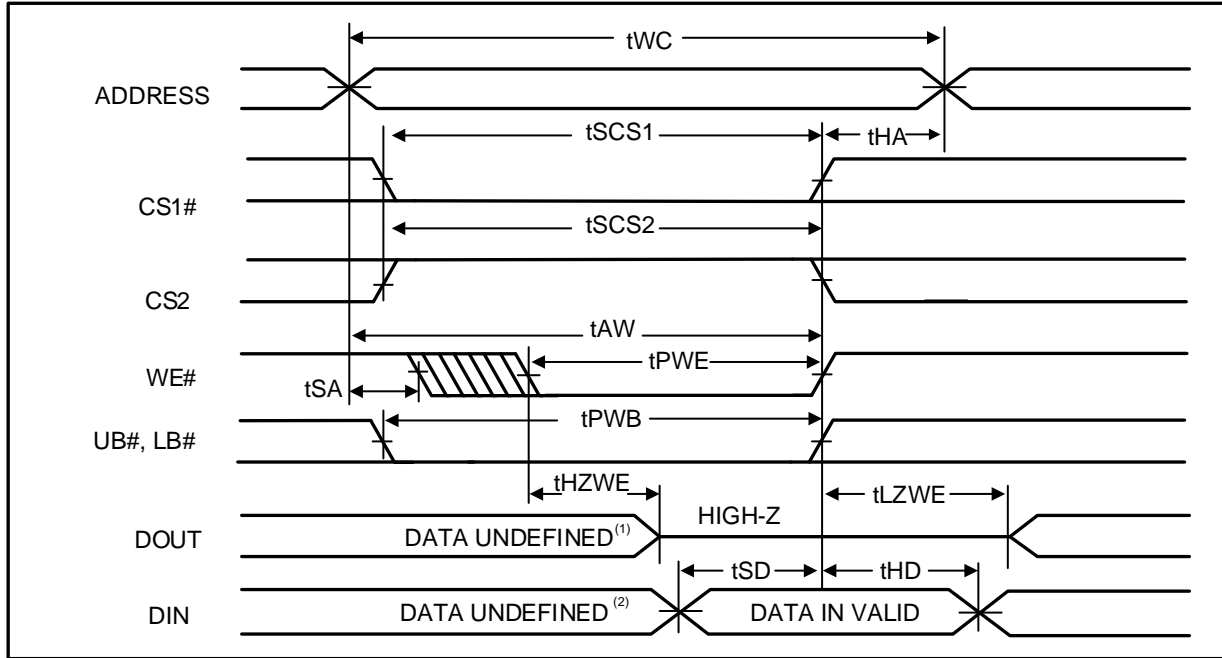
**WRITE CYCLE NO. 2 <sup>(1,2)</sup> (WE# CONTROLLED: OE# IS HIGH DURING WRITE CYCLE)**



Notes:

1. tHZOE is the time DOUT goes to High-Z after OE# goes high.
2. During this period, the I/Os are in output state. Do not apply input signals.

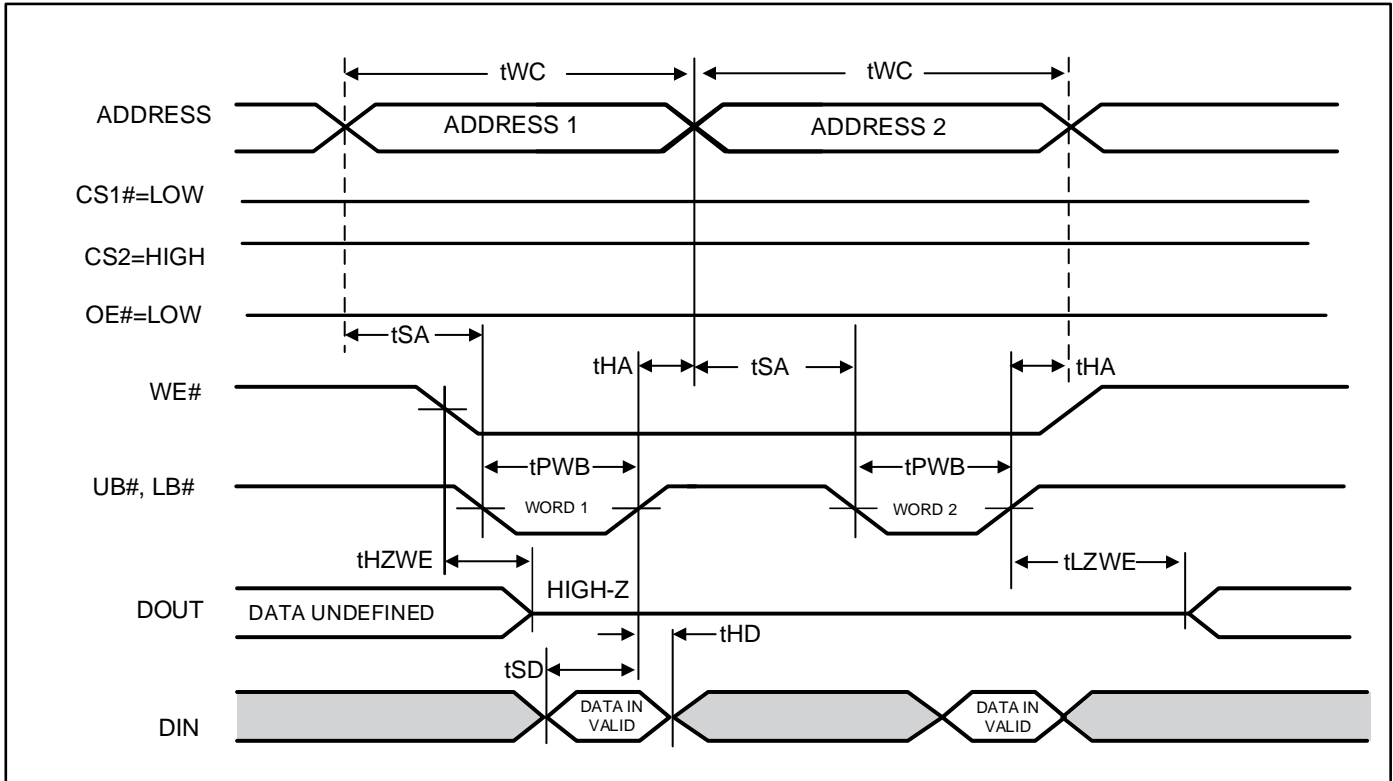
WRITE CYCLE NO. 3 <sup>(1)</sup> (WE# CONTROLLED: OE# IS LOW DURING WRITE CYCLE)



Notes:

3. If OE# is low during write cycle, tHZWE must be met in the application. Do not apply input signal during this period. Data output from the previous READ operation will drive IO BUS.

WRITE CYCLE NO. 4 <sup>(1, 2, 3)</sup> (UB# & LB# Controlled, OE# = LOW)



Notes:

1. If OE# is low during write cycle, tHZWE must be met in the application. Do not apply input signal during this period. Data output from the previous READ operation will drive IO BUS.
2. Due to the restriction of note1, OE# is recommended to be HIGH during write period.
3. WE# stays LOW in this example. If WE# toggles, tPWE and tHZWE must be considered.

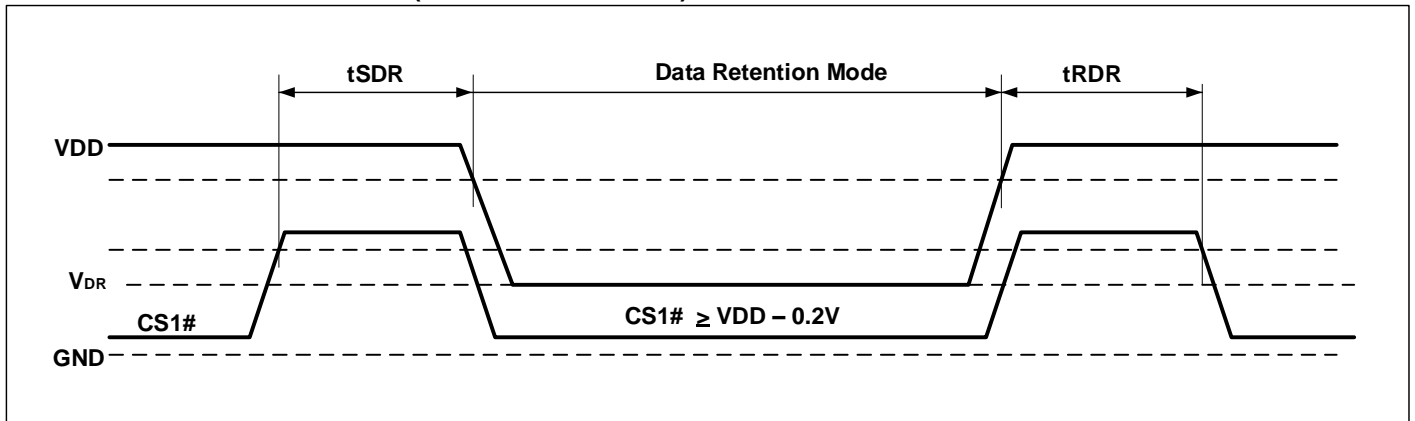
**DATA RETENTION CHARACTERISTICS**

Symbol	Parameter	Test Condition	OPTION	Min	Typ <sup>(2)</sup>	Max	Unit
$V_{DR}$	$V_{DD}$ for Data Retention	See Data Retention Waveform		1.5	-	3.6	V
$I_{DR}$	Data Retention Current	$V_{DD} = V_{DR}(\text{min})$ , $CS1\# \geq V_{DD} - 0.2V$ , <sup>(1)</sup> or $0V \leq CS2 \leq 0.2V$ , or $LB\#$ and $UB\# \geq V_{DD} - 0.2V$ , $V_{IN} \leq 0.2V$ or $V_{IN} \geq V_{DD} - 0.2V$	Com.	-	5.4	13	uA
			Ind.	-		16	
			Auto A3	-		32	
$t_{SDR}$	Data Retention Setup Time	See Data Retention Waveform		0	-	-	ns
$t_{RDR}$	Recovery Time	See Data Retention Waveform		tRC	-	-	ns

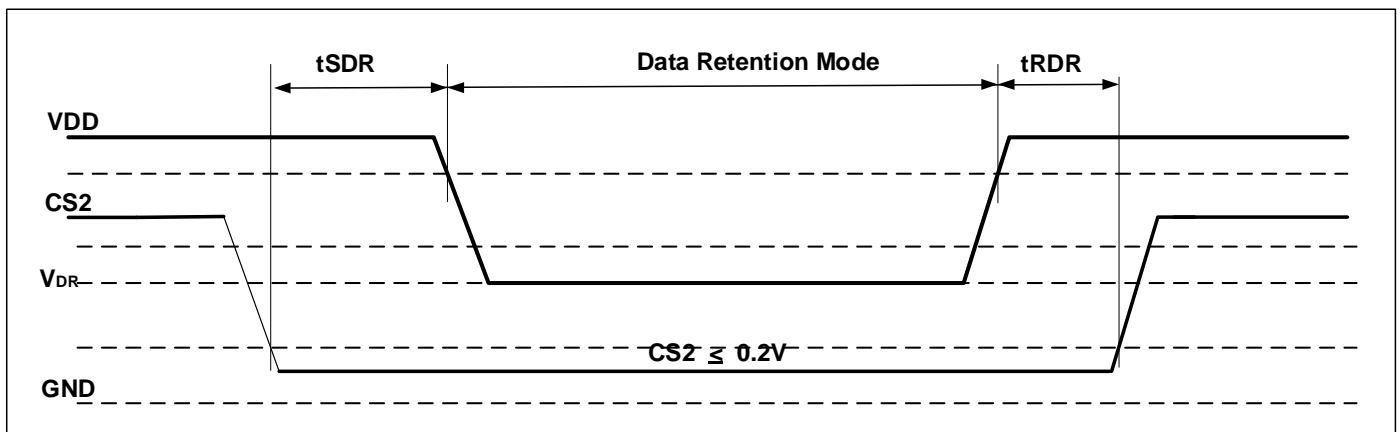
Notes:

1. If  $CS1\# > V_{DD} - 0.2V$ , all other inputs including  $CS2$  and  $UB\#$  and  $LB\#$  must meet this condition.
2. Typical values are measured at  $V_{DD} = 1.8V$  or  $3V$ ,  $T_A = 25^\circ C$ , and not 100% tested.

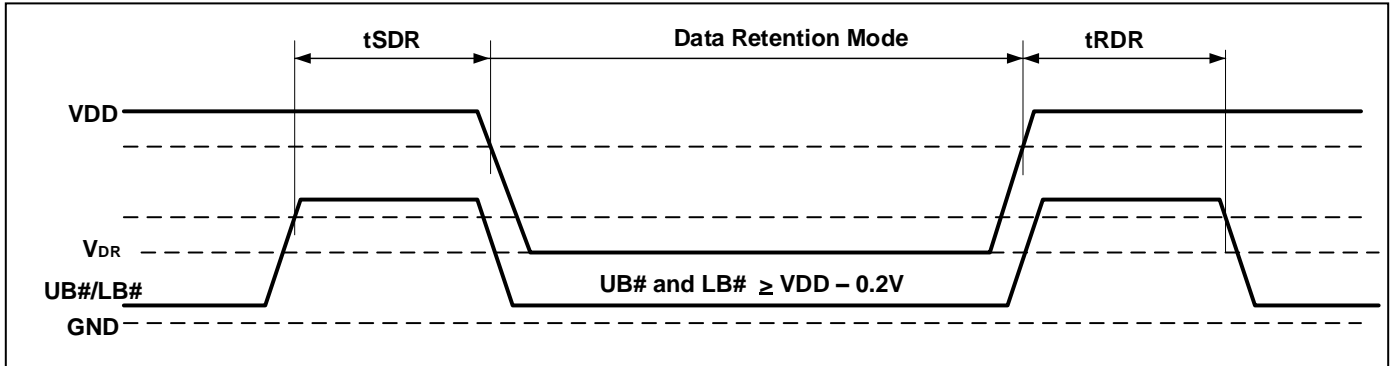
**DATA RETENTION WAVEFORM (CS1# CONTROLLED)**



**DATA RETENTION WAVEFORM (CS2 CONTROLLED)**



DATA RETENTION WAVEFORM (UB# AND LB# CONTROLLED)



**Note:**

1. CS2 must satisfy either  $CS2 \geq VDD - 0.2V$  or  $CS2 \leq 0.2V$
2. CS1# must satisfy either  $CS1\# \geq VDD - 0.2V$  or  $CS1\# \leq 0.2V$



## ORDERING INFORMATION

### IS62WV12816EALL (1.65V - 2.2V)

Industrial Range: **-40°C to +85°C**

Speed (ns)	Order Part No.	Package
55	IS62WV12816EALL-55TI	TSOP (Type II)
	IS62WV12816EALL-55BI	mini BGA (6mm x 8mm)
	IS62WV12816EALL-55B2I	mini BGA (6mm x 8mm), 2 CS Option
	IS62WV12816EALL-55BLI	mini BGA (6mm x 8mm), Lead-free

### IS62WV12816EBLL (2.2V - 3.6V)

Industrial Range: **-40°C to +85°C**

Speed (ns)	Order Part No.	Package
45	IS62WV12816EBLL-45TLI	TSOP (Type II), Lead-free
	IS62WV12816EBLL-45BLI	mini BGA (6mm x 8mm), Lead-free
	IS62WV12816EBLL-45B2LI	mini BGA (6mm x 8mm), 2 CS Option, Lead-free
55	IS62WV12816EBLL-55TI	TSOP (Type II)
	IS62WV12816EBLL-55TLI	TSOP (Type II), Lead-free
	IS62WV12816EBLL-55BI	mini BGA (6mm x 8mm)
	IS62WV12816EBLL-55BLI	mini BGA (6mm x 8mm), Lead-free
	IS62WV12816EBLL-55B2I	mini BGA (6mm x 8mm), 2 CS Option
	IS62WV12816EBLL-55B2LI	mini BGA (6mm x 8mm), 2 CS Option, Lead-free

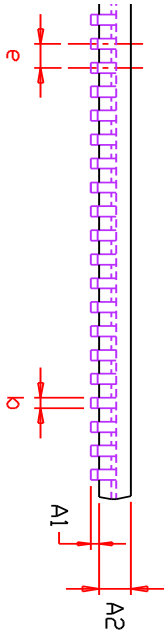
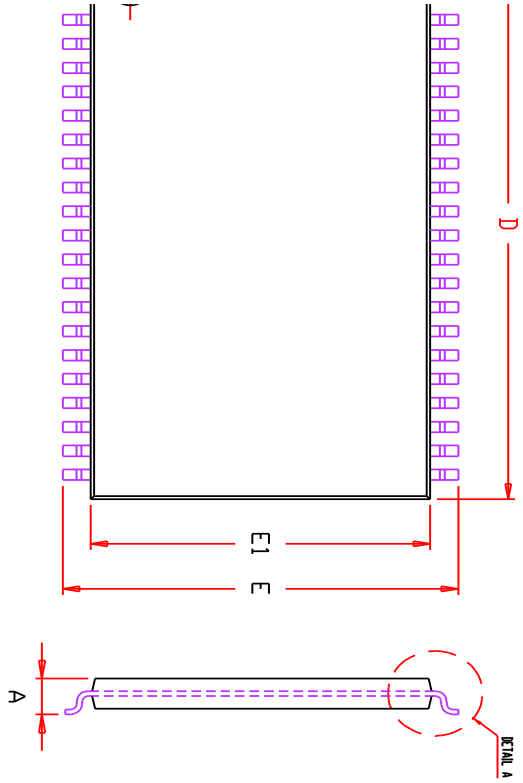
### IS65WV12816EBLL (2.2V - 3.6V)

Automotive Range (A3): **-40°C to +125°C**

Speed (ns)	Order Part No.	Package
55	IS65WV12816EBLL-55CTLA3	TSOP (Type II), Lead-free, Copper Leadframe
	IS65WV12816EBLL-55BLA3	mini BGA (6mm x 8mm), Lead-free



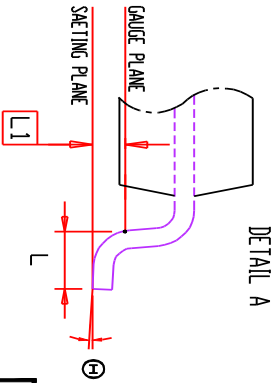
PACKAGE INFORMATION



SYMBOL	DIMENSION IN MM		DIMENSION IN	
	MIN.	NOM.	MAX.	MIN. NOM.
A	1.00		1.20	0.039
A1	0.05		0.15	0.002
A2	0.95	1.00	1.05	0.037/0.039
b	0.30		0.45	0.012
D	18.28	18.41	18.54	0.720/0.725
E	11.56	11.76	11.96	0.455/0.463
E1	10.03	10.16	10.29	0.395/0.400
e	0.80	BSC.		0.031 B
L	0.40		0.69	0.016
L1	0.25	BSC.		0.010 B.
ZD	0.805	REF.		0.032 R
⊕	0		8°	0

**NOTE :**

1. CONTROLLING DIMENSION : MM
2. DIMENSION D AND E1 DO NOT INCLUDE MOLD PROTRUSION.
3. DIMENSION b DOES NOT INCLUDE DAMBAR PROTRUSION/INTRUSION.



TITLE

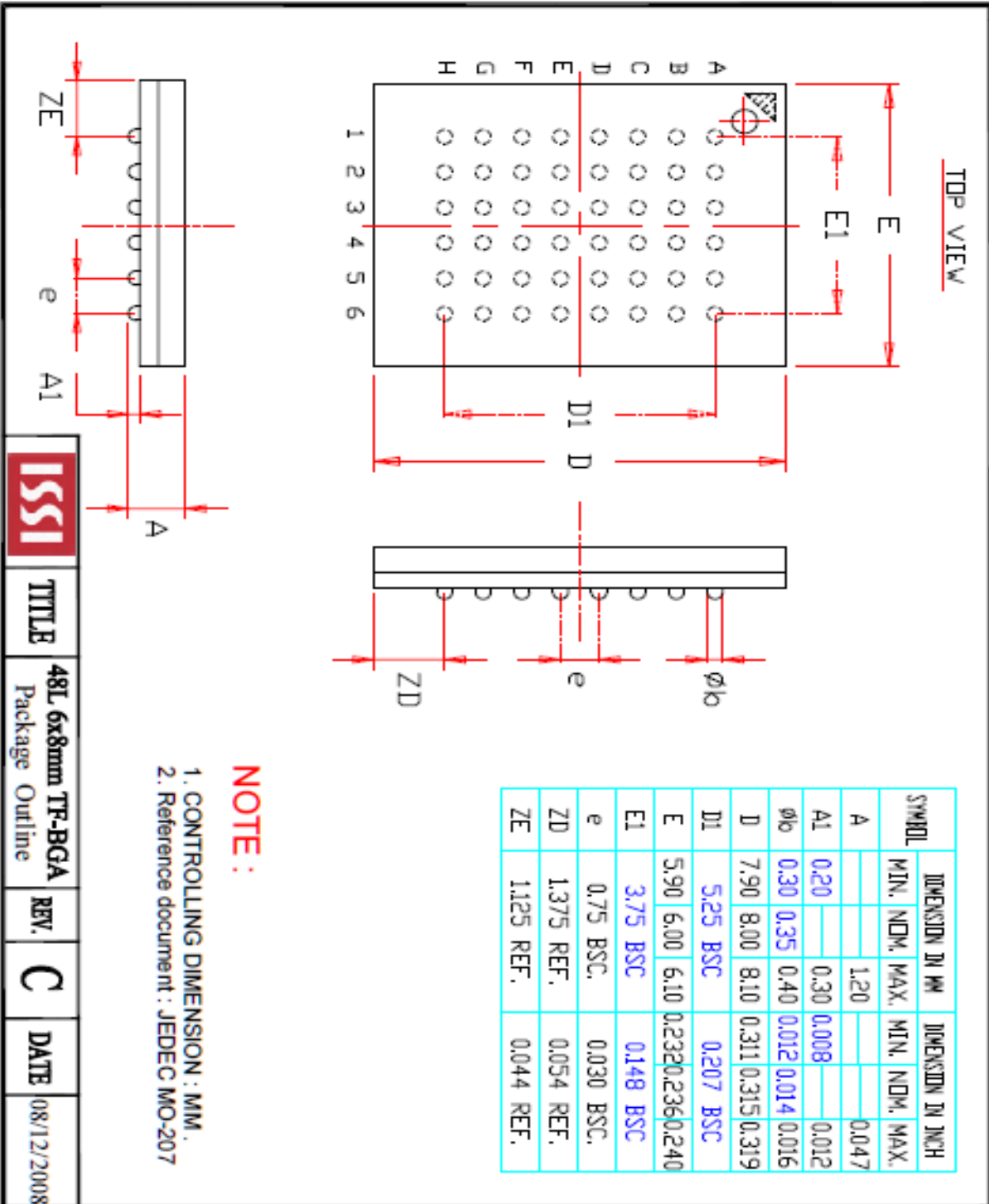
44L 400mil TSOP-2  
Package Outline

REV.

F

DATE

06



## Данный компонент на территории Российской Федерации

### Вы можете приобрести в компании MosChip.

Для оперативного оформления запроса Вам необходимо перейти по данной ссылке:

<http://moschip.ru/get-element>

Вы можете разместить у нас заказ для любого Вашего проекта, будь то серийное производство или разработка единичного прибора.

В нашем ассортименте представлены ведущие мировые производители активных и пассивных электронных компонентов.

Нашей специализацией является поставка электронной компонентной базы двойного назначения, продукции таких производителей как XILINX, Intel (ex.ALTERA), Vicor, Microchip, Texas Instruments, Analog Devices, Mini-Circuits, Amphenol, Glenair.

Сотрудничество с глобальными дистрибьюторами электронных компонентов, предоставляет возможность заказывать и получать с международных складов практически любой перечень компонентов в оптимальные для Вас сроки.

На всех этапах разработки и производства наши партнеры могут получить квалифицированную поддержку опытных инженеров.

Система менеджмента качества компании отвечает требованиям в соответствии с ГОСТ Р ИСО 9001, ГОСТ РВ 0015-002 и ЭС РД 009

### Офис по работе с юридическими лицами:

105318, г.Москва, ул.Щербаковская д.3, офис 1107, 1118, ДЦ «Щербаковский»

Телефон: +7 495 668-12-70 (многоканальный)

Факс: +7 495 668-12-70 (доб.304)

E-mail: [info@moschip.ru](mailto:info@moschip.ru)

Skype отдела продаж:

moschip.ru

moschip.ru\_4

moschip.ru\_6

moschip.ru\_9