

# HEDS-9710, HEDS-9711

## Small Optical Encoder Modules

### 360 lpi Analog Current Output



## Data Sheet



### Description

The HEDS-971x is a high performance incremental encoder module. When operated in conjunction with either a codewheel or codestrip, this module detects rotary or linear position. The encoder consists of a lensed LED source and a detector IC enclosed in a small C-shaped plastic package. Due to a highly collimated light source and a unique photodetector array, the module is extremely tolerant to mounting misalignment.

The two channel analog outputs and 5 V supply input are accessed through four solder plated leads located on 2.54 mm (0.1 inch) centers.

The standard HEDS-971x is designed for use with an appropriate optical radius codewheel or linear codestrip. Other options are available. Please contact the factory for more information.

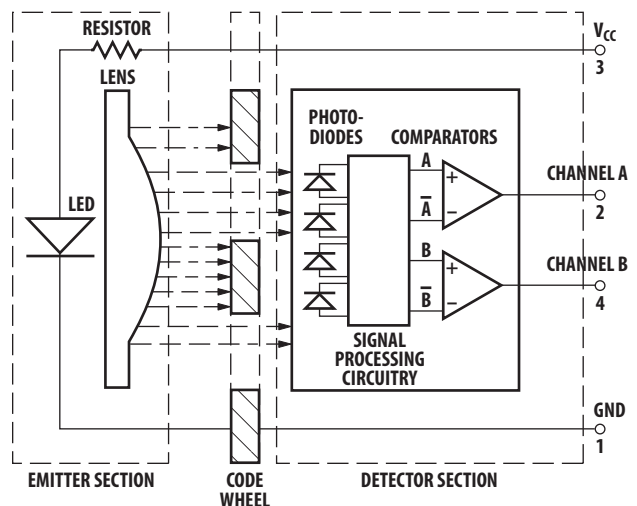
### Applications

The HEDS-971x provides sophisticated motion detection, making closed loop control, very cost competitive. Typical applications include printers, plotters, copiers and office automation equipment.

### Features

- Small size
- Two channel quadrature output
- Linear and rotary applications
- No signal adjustment required
- TTL compatible
- Wave solderable
- Lead free package
- 15°C to 45°C operating temperature
- Single 5 V supply

### Block Diagram



## Theory of Operation

An HEDS-971x is a C-shaped emitter/detector module. Coupled with a codewheel, it translates rotary motion into a two-channel digital output, coupled with a codestrip; it translates linear motion into digital outputs.

As seen in the block diagram, the module contains a single Light Emitting Diode (LED) as its light source. The light is collimated into parallel beam by means of a single lens located directly over the LED. Opposite the emitter is the integrated detector circuit. This IC consists of photodetectors and a signal processing circuitry necessary to produce the digital waveforms.

The codewheel/codestrip moves between the emitter and detector, causing the light beam to be interrupted by the pattern of spaces and bars on the codewheel/codestrip. The photodiodes, which detect these interruptions, are arranged in a pattern that corresponds to the radius and count density of the codewheel/codestrip. These photodiodes are also spaced such that a light period on one pair of detectors corresponds to a dark period on the adjacent pairs of detectors. The photodiode outputs are fed through the signal processing circuitry. Two comparators receive these signals and produce the final outputs for Channels A and B. Due to this integrated phasing technique the output of channel A is in quadrature with Channel B (90 degrees out of phase).

## Definitions

**Count (N):** The number of bar and window pairs or counts per revolution (CPR) of the codewheel, or the number of lines per inch of the codestrip (LPI).

1 shaft Rotation = 360 degrees  
= N cycles

1 cycle (c) = 360 electrical degrees, equivalent to 1 bar and window pair.

**Pulse Width (P):** The number of electrical degrees that an output is high during one cycle, nominally 180°e or ½ a cycle.

**Pulse Width Error ( $\Delta P$ ):** The deviation in electrical degrees of the pulse width from its ideal value of 180°e.

**State Width (S):** The number of electrical degrees between a transition in the output of channel A and the neighboring transition in the output of channel B. There are 4 states per cycle, each nominally 90°e.

**State Width Error ( $\Delta S$ ):** The deviation in electrical degrees of each state width from its ideal value of 90°e.

**Phase ( $\phi$ ):** The number of electrical degrees between the center of the high state on channel A and the center of the high state on channel B. This value is nominally 90°e for quadrature output.

**Phase Error ( $\Delta\phi$ ):** The deviation in electrical degrees of the phase from its ideal value of 90°e.

**Direction of Rotation:** When the codewheel rotates in the counter-clockwise direction (as viewed from the encoder end of the motor), channel A will lead channel B. If the codewheel rotates in the clockwise direction, channel B will lead channel A.

**Optical Radius ( $R_{op}$ ):** The distance from the codewheel's center of rotation to the optical center (O.C) of the encoder module.

**Angular Misalignment Error ( $E_A$ ):** Angular misalignment of the sensor in relation to the tangential direction. This applies for both rotary and linear motion.

**Mounting Position ( $R_M$ ):** Distance from Motor Shaft center of rotation to center of Alignment Tab receiving hole.

## Absolute Maximum Ratings

Parameter	Symbol	Min.	Max.	Units	Notes
Storage Temperature	$T_S$	-40	85	°C	
Operating Temperature	$T_A$	0	85	°C	
Supply Voltage	$V_{CC}$	-0.5	7	Volts	
Soldering Temperature	$T_{SOL}$		260	°C	$t \leq 5 \text{ sec}$

## Recommended Operating Conditions

Parameter	Symbol	Min.	Typ.	Max.	Units	Notes
Temperature	$T_A$	15		45	°C	
Supply Voltage	$V_{CC}$	4.8	5.0	5.2	Volts	Ripple < 100 mVp-p
Count Frequency	f			40	kHz	Velocity (rpm) x N/60

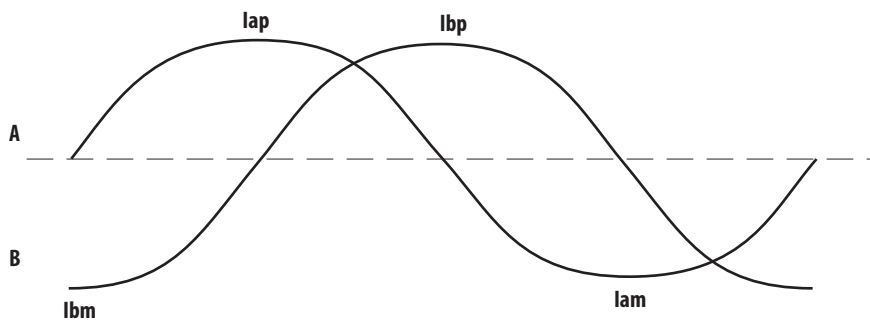
## Electrical Characteristics

Electrical Characteristics Over the Recommended Operating Conditions. Typical Values at 25°C.

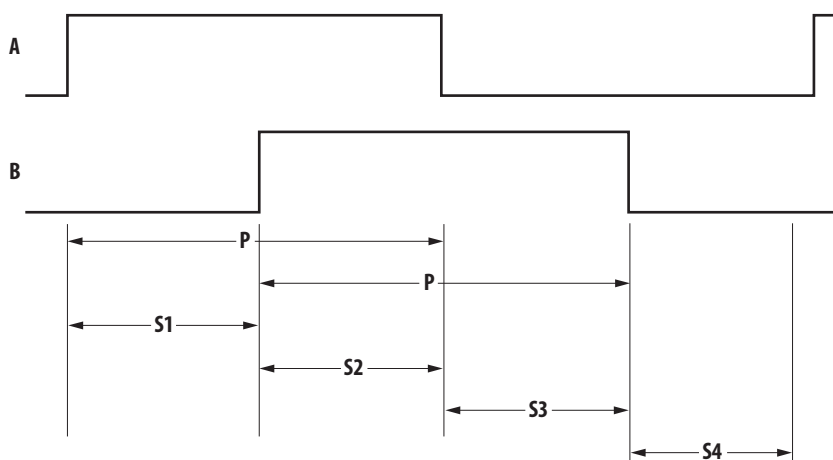
Parameter	Symbol	Min.	Typ.	Max.	Units	Notes
Supply Current	$I_{CC}$		17	40	mA	

## Waveform Definition

### ANALOG



### DIGITAL



## Test Parameter Definitions

Parameter	Symbol	Definition	Units
Ip	Analog peak	The absolute value in $\mu\text{A}$ of the magnitude of the analog signal (i.e. one sided rating).	Iap, Ibp, Iam, Ibm
Ipp	Analog peak to peak	The peak to peak signal magnitude in mA of the analog signal.	Iapp, Ibpp
Iapp/Ibpp	Analog peak to peak ratio	The ratio of A channel peak analog signal to B channel peak to peak analog signal.	
Ioffset	Analog Offset	The offset in $\mu\text{A}$ from the mid-point of the analog peak to peak signal to zero current.	
State Width	State Width	The number of electrical degrees between a transition in channel A and the neighboring transition in channel B. There are 4 states per cycle, each nominally $90^\circ\text{e}$ . <b>The transitions are determined by where the analog signal crosses the Zero point.</b>	State 1 State 2 State 3 State 4
State Width Error	State Width Error	The deviation in electrical degrees of each state width from its ideal value of $90^\circ\text{e}$ .	
Pulse Width	Pulse Width	The number of electrical degrees that an analog output is greater than zero during one cycle. This value is nominally $180^\circ\text{e}$ or $\frac{1}{2}$ cycle.	
Pulse Width Error	Pulse Width Error	The deviation in electrical degrees of each pulse width from its ideal value of $180^\circ\text{e}$ .	

## Encoder Characteristics

Encoding Characteristics Over the Recommended Operating Conditions and Mounting Conditions.

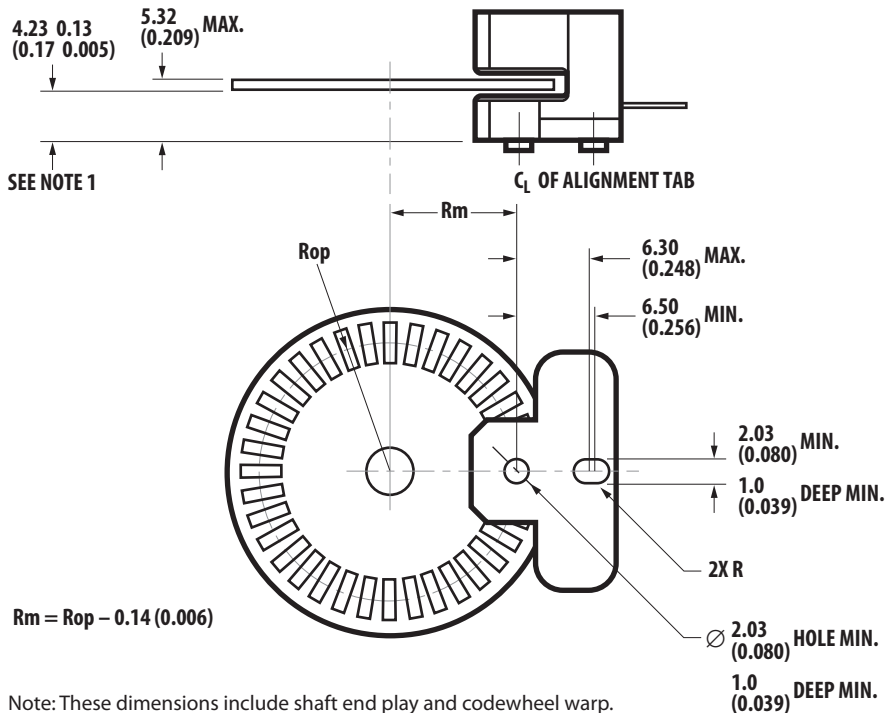
These characteristics do not include codewheel/codestrip contribution. The typical values are average over the full rotation of the codewheel.

Parameter	Units	Min.	Max.
State Width Error	°e	-40	40
Phase Error	°e	-40	40
I <sub>pp</sub>	μA	25	95
I <sub>ppA</sub> /I <sub>ppB</sub>	-	0.93	1.16
I <sub>offset</sub>	μA	-7	7
Linearity Error	-	0	12
Crossing (avg)	μA	9	35

## Mounting Considerations

Parameter	Units	Tolerance
Radial	microns	± 200
Tangential	microns	± 400
Gap	microns	50 – 460
O.R.	mm	20.2
CPR	Count	1800

## Mounting Consideration

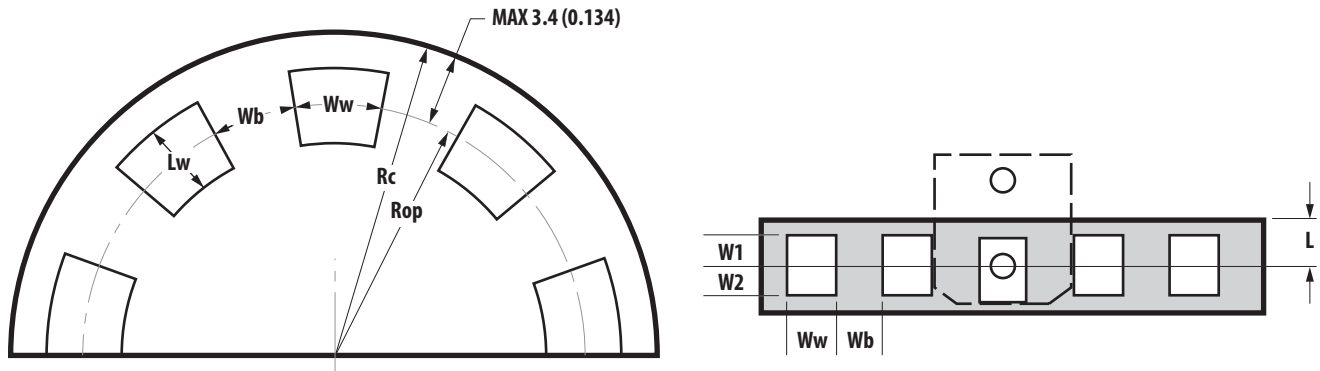


Note: These dimensions include shaft end play and codewheel warp.

All dimensions for mounting the module/codestrip should be measured with respect to the two mounting posts, shown above.

Dimensions in millimeters (inches).

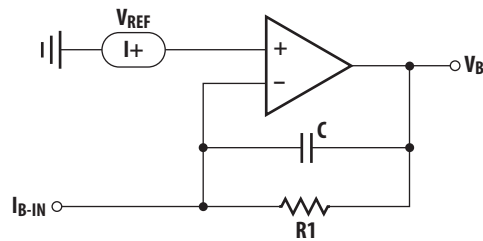
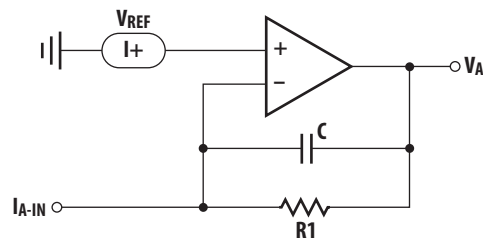
## Recommended Codewheel and Codestrip Characteristics



Parameter	Symbol	Min.	Max.	Units	Notes
Window/Bar Ratio	Ww/Wb	0.9	1.1		
Window Length (Rotary)	Lw	1.80 (0.071)	2.30 (0.091)	mm (inch)	
Absolute Maximum Codewheel Radius (Rotary)	Rc		Rop + 3.40 (Rop + 0.134)	mm (inch)	Includes eccentricity errors
Center of Post to Inside Edge of Window	W1	1.04 (0.041)		mm (inch)	
Center of Post to Outside Edge of Window	W2	0.76 (0.030)		mm (inch)	
Center of Post to Inside Edge of Codestrip	L		3.60 (0.142)	mm (inch)	

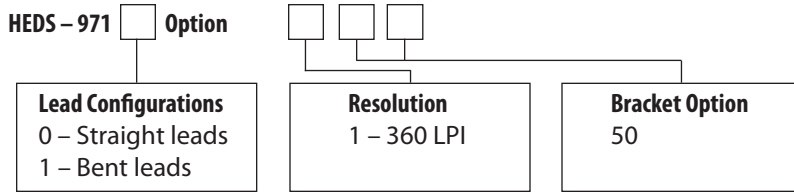
## Analog Encoder Interface Circuit

The circuit shown can be used to convert the current to voltage output. Resistor value R1 and Capacitor C are specified to attain required gain and low pass filtering which are application specific. The gain is chosen to attain maximum output swing and not clamping the op-amp.  $V_{REF}$  should be set to  $1.4V \pm 0.2V$ . A  $0.1 \mu F$  bypass capacitor is recommended to be placed within 1 cm of the encoder for optional power supply noise rejection. Output are high impedance (typical 1M Ohm) and susceptible to EMI.



$V_{REF} = 1.4V \pm 0.2V (DC)$

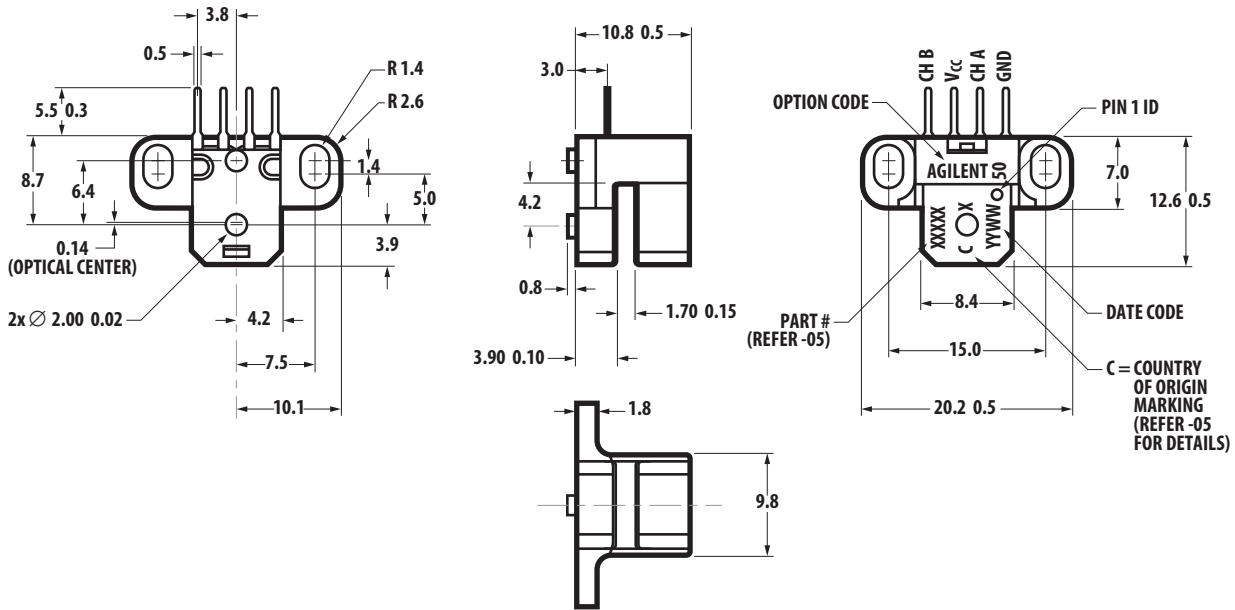
## Ordering Information



## Package Dimensions

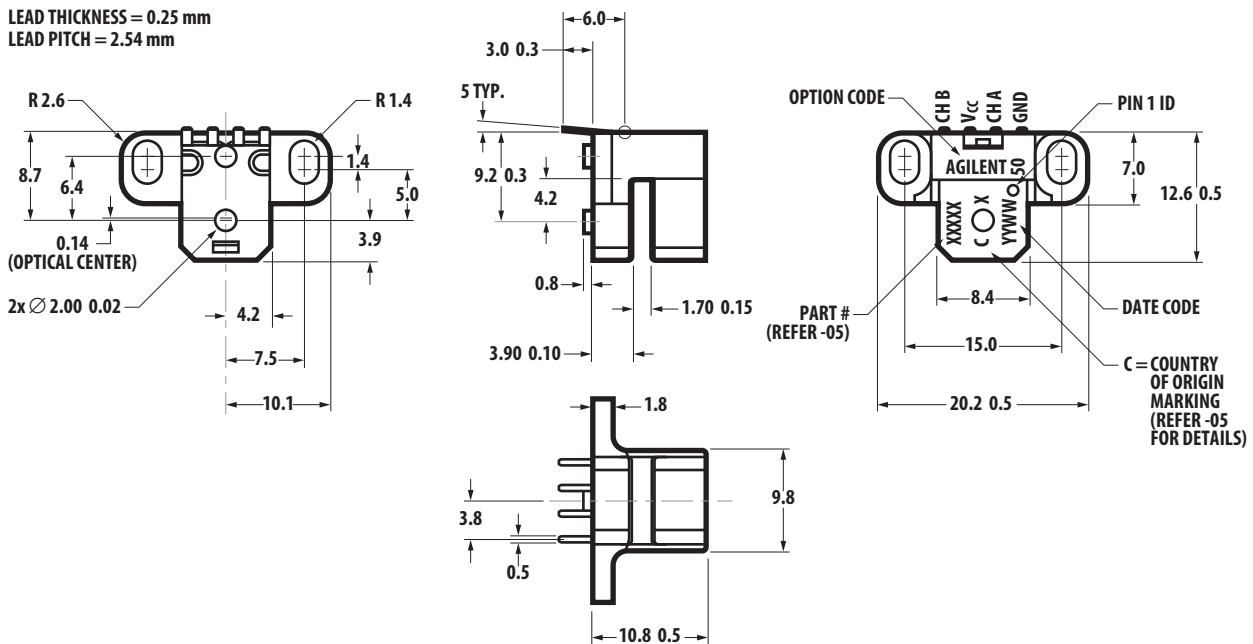
Option 50

LEAD THICKNESS = 0.25 mm  
LEAD PITCH = 2.54 mm



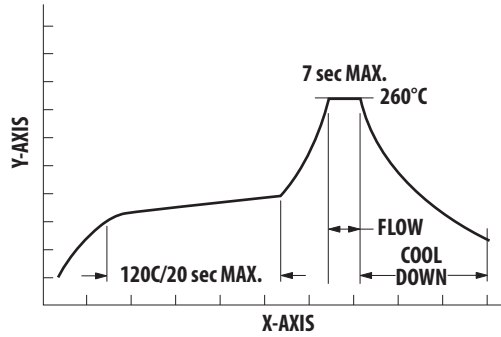
Bent Version - Option 50

LEAD THICKNESS = 0.25 mm  
LEAD PITCH = 2.54 mm



## Wave Soldering Profile

Pb-Free Wave Soldering Profile  
Std-Profile



Parameter	Min.	Max.	Nominal Values	Units
A Solder Pot Temperature	NA	260	250 – 260	°C
B Preheat Zone Temperature	85	120	100 – 120	°C
C Dip in Time	5	7	5	sec
D Solder Pot Zone (PCB Top)	NA	NA	NA	°C
E Solder Pot Zone (Encoder Lead)	200	NA	≥ 200	°C

For product information and a complete list of distributors, please go to our web site: [www.avagotech.com](http://www.avagotech.com)

Avago, Avago Technologies, and the A logo are trademarks of Avago Technologies in the United States and other countries. Data subject to change. Copyright © 2005-2012 Avago Technologies. All rights reserved. Obsoletes 5989-0702EN AV02-3652EN - June 21, 2012

**AVAGO**  
TECHNOLOGIES



## Данный компонент на территории Российской Федерации

### Вы можете приобрести в компании MosChip.

Для оперативного оформления запроса Вам необходимо перейти по данной ссылке:

<http://moschip.ru/get-element>

Вы можете разместить у нас заказ для любого Вашего проекта, будь то серийное производство или разработка единичного прибора.

В нашем ассортименте представлены ведущие мировые производители активных и пассивных электронных компонентов.

Нашей специализацией является поставка электронной компонентной базы двойного назначения, продукции таких производителей как XILINX, Intel (ex.ALTERA), Vicor, Microchip, Texas Instruments, Analog Devices, Mini-Circuits, Amphenol, Glenair.

Сотрудничество с глобальными дистрибьюторами электронных компонентов, предоставляет возможность заказывать и получать с международных складов практически любой перечень компонентов в оптимальные для Вас сроки.

На всех этапах разработки и производства наши партнеры могут получить квалифицированную поддержку опытных инженеров.

Система менеджмента качества компании отвечает требованиям в соответствии с ГОСТ Р ИСО 9001, ГОСТ РВ 0015-002 и ЭС РД 009

### Офис по работе с юридическими лицами:

105318, г.Москва, ул.Щербаковская д.3, офис 1107, 1118, ДЦ «Щербаковский»

Телефон: +7 495 668-12-70 (многоканальный)

Факс: +7 495 668-12-70 (доб.304)

E-mail: [info@moschip.ru](mailto:info@moschip.ru)

Skype отдела продаж:

moschip.ru

moschip.ru\_4

moschip.ru\_6

moschip.ru\_9