

## GAAS MMIC SP8T NON-REFLECTIVE SWITCH, DC - 8 GHz

### Typical Applications

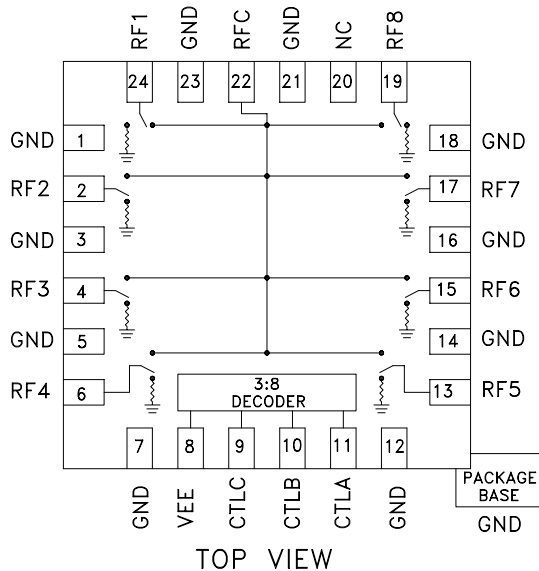
This switch is suitable for usage in DC - 8.0 GHz 50-Ohm or 75-Ohm systems:

- Broadband
- Fiber Optics
- Switched Filter Banks
- Wireless below 8 GHz

### Features

- Broadband Performance: DC - 8.0 GHz
- High Isolation: >30 dB@ 6 GHz
- Low Insertion Loss: 2.4 dB@ 6 GHz
- Integrated 3:8 TTL Decoder
- 24 Lead 4x4mm QFN Package: 9 mm<sup>2</sup>

### Functional Diagram



### General Description

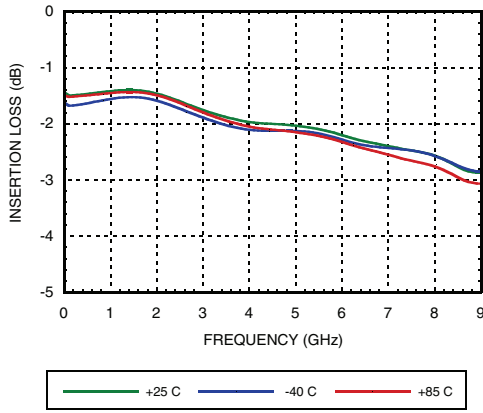
The HMC322ALP4E is a broadband non-reflective GaAs MESFET SP8T switch in a low cost leadless surface mount package. Covering DC to 8 GHz, this switch offers high isolation and low insertion loss. This switch also includes an on board binary decoder circuit which reduces the required logic control lines to three. The switch operates using a negative control voltage of 0/-5 volts, and requires a fixed bias of -5V. This switch is suitable for usage in 50-Ohm or 75-Ohm systems.

### Electrical Specifications, $T_A = +25^\circ\text{C}$ , With 0/-5V Control, 50 Ohm System

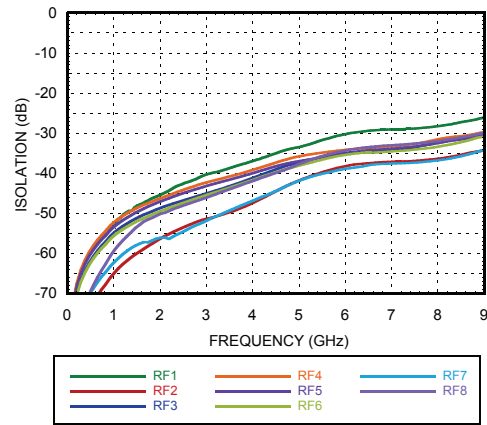
| Parameter  | Frequency     | Min.                             | Typ. | Max. | Units |
|--|---------------|----------------------------------|------|------|-------|
| Insertion Loss   | DC - 2.0 GHz  |                                  | 1.8  | 2.5  | dB    |
|  | DC - 4.0 GHz  |                                  | 2.0  | 2.7  | dB    |
|  | DC - 8.0 GHz  |                                  | 2.5  | 2.9  | dB    |
| Isolation  | DC - 2.0 GHz  | 35                               | 50   |      | dB    |
|  | DC - 4.0 GHz  | 30                               | 45   |      | dB    |
|  | DC - 6.0 GHz  | 25                               | 40   |      | dB    |
|  | DC - 8.0 GHz  | 20                               | 35   |      | dB    |
| Return Loss  | "On State"    | DC - 2.0 GHz                     | 9    | 17   | dB    |
|  |               | DC - 8.0 GHz                     | 6    | 15   | dB    |
| Return Loss  | "Off State"   | DC - 8.0 GHz                     | 7    | 20   | dB    |
| Input Power for 1 dB Compression   | 0.5 - 8.0 GHz | 19                               | 26   |      | dBm   |
| Input Third Order Intercept<br>(Two-Tone Input Power = +7 dBm Each Tone) | 0.5 - 8.0 GHz | 36                               | 40   |      | dBm   |
| Switching Characteristics<br>tRISE, tFALL (10/90% RF)                    | DC - 8.0 GHz  |                                  | 25   |      | ns    |
|  |               | tON, tOFF (50% CTL to 10/90% RF) |      | 150  |       |

**GAAS MMIC SP8T NON-REFLECTIVE SWITCH, DC - 8 GHz**

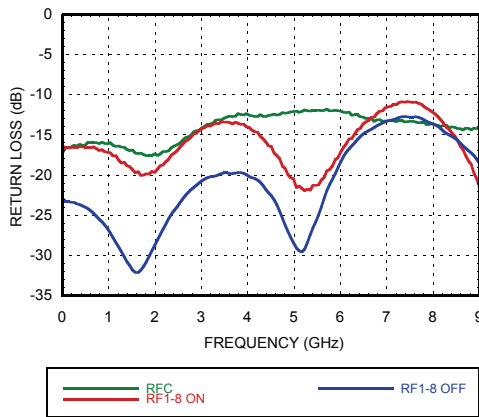
**Insertion Loss vs. Temperature**



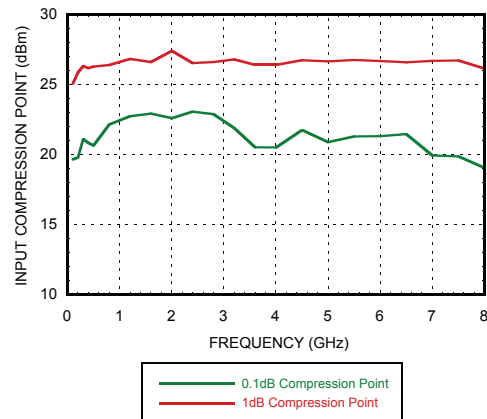
**Isolation**



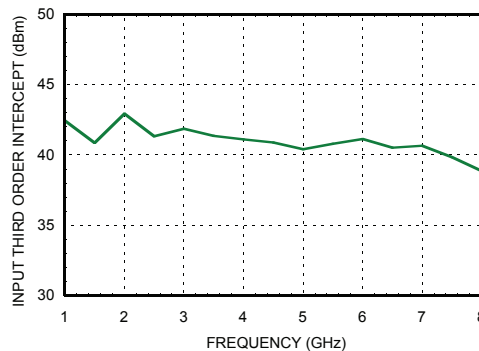
**Return Loss**



**0.1 and 1 dB Input Compression Point**



**Input Third Order Intercept Point**



## GAAS MMIC SP8T NON-REFLECTIVE SWITCH, DC - 8 GHz

### Bias Voltage & Current

| Vee Range = -5.0 Vdc $\pm$ 10% |                             |                             |
|--------------------------------|-----------------------------|-----------------------------|
| Vee (Vdc)                      | I <sub>ee</sub> (Typ.) (mA) | I <sub>ee</sub> (Max.) (mA) |
| -5.0                           | 5.0                         | 9.0                         |

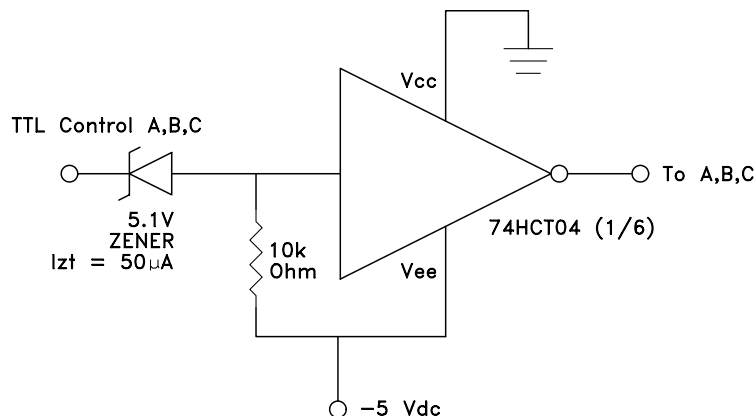
### Control Voltages

| State | Bias Condition                     |
|-------|------------------------------------|
| Low   | -3V to 0 Vdc @ 25 $\mu$ A Typical  |
| High  | -5 to -4.2 Vdc @ 5 $\mu$ A Typical |

### Truth Table

| Control Input |      |      | Signal Path State |
|---------------|------|------|-------------------|
| A             | B    | C    | RFCOM to:         |
| High          | High | High | RF1               |
| Low           | High | High | RF2               |
| High          | Low  | High | RF3               |
| Low           | Low  | High | RF4               |
| High          | High | Low  | RF5               |
| Low           | High | Low  | RF6               |
| High          | Low  | Low  | RF7               |
| Low           | Low  | Low  | RF8               |

### TTL Interface Circuit



**Note:**

Control inputs A, B, and C can be driven directly with TTL logic with -5 Volts applied to the HCT logic gates Vee pin and to Vee (pin 8) of the RF Switch.

## GAAS MMIC SP8T NON-REFLECTIVE SWITCH, DC - 8 GHz

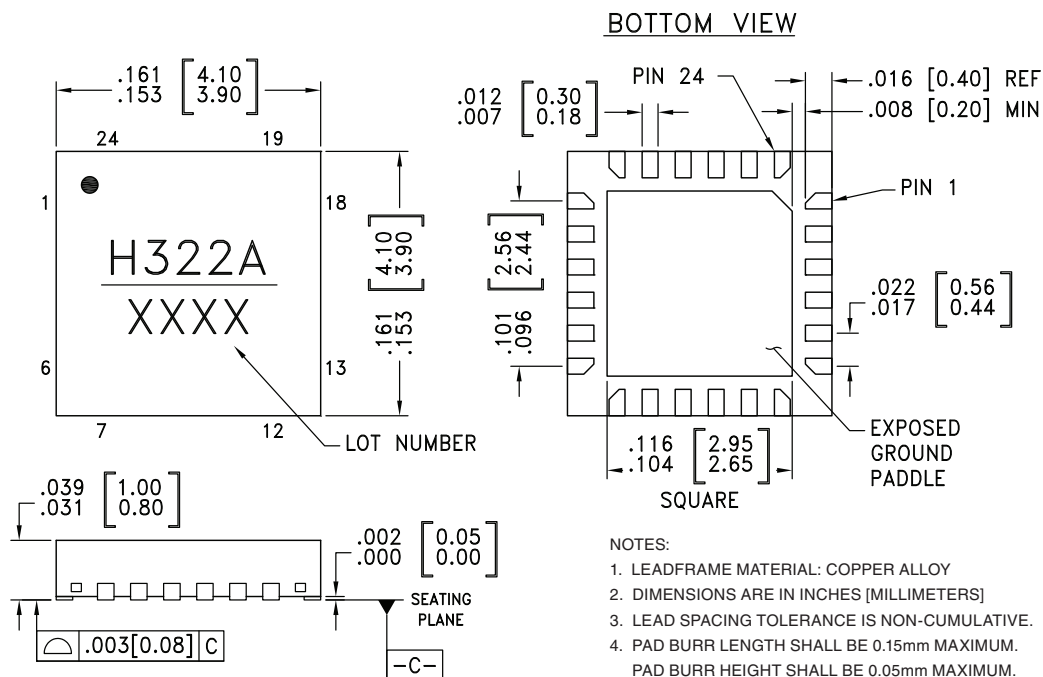
### Absolute Maximum Ratings

|   |                       |
|---|-----------------------|
| Bias Voltage Range (Vee)                                  | -7.0 Vdc              |
| Control Voltage Range (A, B, & C)                         | Vee -0.5V to +1.0 Vdc |
| Storage Temperature                                       | -65 to +150 °C        |
| Operating Temperature                                     | -40 to +85 °C         |
| Maximum Input Power                                       |                       |
| Insertion Loss Path                                       | 26.5 dBm              |
| Terminated Path   | 24 dBm                |
| Channel Temperature                                       | 150 °C                |
| Continuous Pdiss ( T = 85 °C )<br>( derate 5.34 mW / °C ) | 0.348 W               |
| Thermal Resistance  |                       |
| Insertion Loss Path                                       | 184 °C / W            |
| Terminated Path   | 243 °C / W            |
| ESD Sensitivity (HBM)                                     | Class 1A              |



ELECTROSTATIC SENSITIVE DEVICE  
OBSERVE HANDLING PRECAUTIONS

### Outline Drawing



#### NOTES:

- LEADFRAME MATERIAL: COPPER ALLOY
- DIMENSIONS ARE IN INCHES [MILLIMETERS]
- LEAD SPACING TOLERANCE IS NON-CUMULATIVE.
- PAD BURR LENGTH SHALL BE 0.15mm MAXIMUM.  
PAD BURR HEIGHT SHALL BE 0.05mm MAXIMUM.
- PACKAGE WARP SHALL NOT EXCEED 0.05mm.
- ALL GROUND LEADS AND GROUND PADDLE MUST BE SOLDERED TO PCB RF GROUND.
- REFER TO HITTITE APPLICATION NOTE FOR SUGGESTED LAND PATTERN.

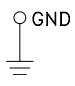
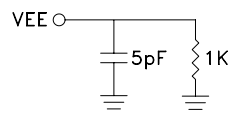
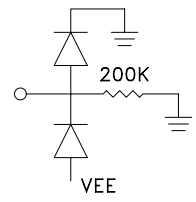
### Package Information

| Part Number | Package Body Material                              | Lead Finish   | MSL Rating          | Package Marking <sup>[2]</sup> |
|-------------|--|---------------|---------------------|--------------------------------|
| HMC322ALP4E | RoHS-compliant Low Stress Injection Molded Plastic | 100% matte Sn | MSL3 <sup>[1]</sup> | H322A<br>XXXX                  |

[1] Max peak reflow temperature of 260 °C

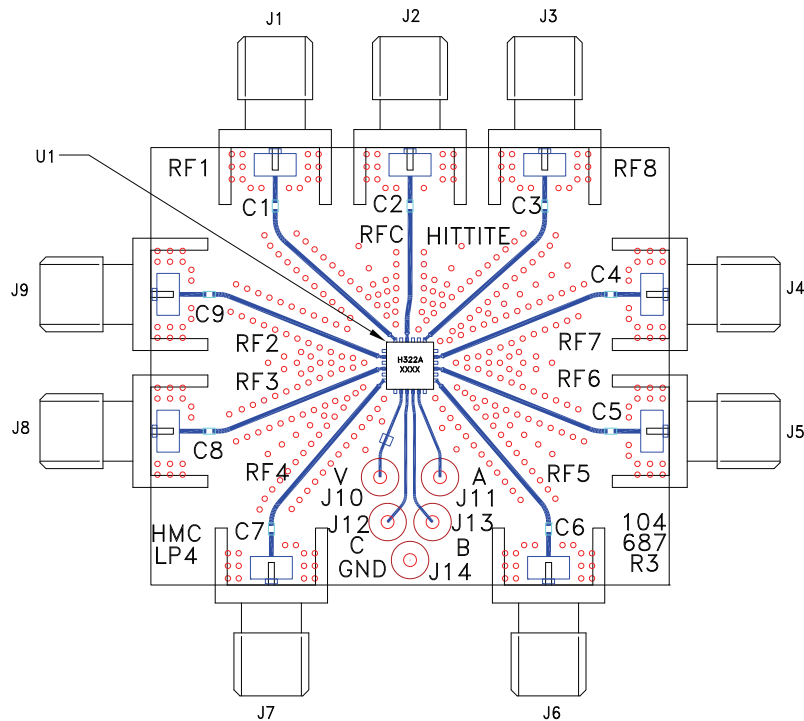
[2] 4-Digit lot number XXXX

**GAAS MMIC SP8T NON-REFLECTIVE  
SWITCH, DC - 8 GHz**
**Pin Descriptions**

| Pin Number                               | Function           | Description   | Interface Schematic  |
|--|--------------------|---|--|
| 1, 3, 5, 7,<br>12, 14, 16,<br>18, 21, 23 | GND                | Package bottom has exposed metal paddle that must also be connected to PCB RF ground.                                   |   |
| 2, 4, 6,<br>13, 15, 17,<br>19, 22, 24    | RF1 - RF8<br>& RFC | This pin is DC coupled and matched to 50 Ohm. Blocking capacitors are required if RF line potential is not equal to 0V. |  |
| 8  | VEE                | Supply Voltage = $-5V \pm 10\%$   |   |
| 9  | CTL C              | See truth table and control voltage table.  |  |
| 10                                       | CTL B              | See truth table and control voltage table.  |  |
| 11                                       | CTL A              | See truth table and control voltage table.  |  |
| 20                                       | N/C                | This pin should be connected to PCB RF ground to maximize isolation.  |  |

## GAAS MMIC SP8T NON-REFLECTIVE SWITCH, DC - 8 GHz

### Evaluation PCB



### List of Materials for Evaluation PCB EV1HMC322ALP4 [1]

| Item      | Description                       |
|-----------|-----------------------------------|
| J1 - J9   | PCB Mount SMA RF Connector        |
| J10 - J14 | DC Pin                            |
| C1 - C9   | 100 pF Capacitor, 0402 Pkg.       |
| U1        | HMC322ALP4E SP8T Switch           |
| PCB [2]   | 104687 Evaluation PCB 1.73"x1.46" |

[1] Reference this number when ordering complete evaluation PCB

[2] Circuit Board Material: Rogers 4350

The circuit board used in the application should be generated with proper RF circuit design techniques. Signal lines at the RF port should have 50 ohm impedance and the package ground leads and backside ground slug should be connected directly to the ground plane similar to that shown above. The evaluation circuit board shown above is available from Analog Devices Inc. upon request.

## Данный компонент на территории Российской Федерации

### Вы можете приобрести в компании MosChip.

Для оперативного оформления запроса Вам необходимо перейти по данной ссылке:

<http://moschip.ru/get-element>

Вы можете разместить у нас заказ для любого Вашего проекта, будь то серийное производство или разработка единичного прибора.

В нашем ассортименте представлены ведущие мировые производители активных и пассивных электронных компонентов.

Нашей специализацией является поставка электронной компонентной базы двойного назначения, продукции таких производителей как XILINX, Intel (ex.ALTERA), Vicor, Microchip, Texas Instruments, Analog Devices, Mini-Circuits, Amphenol, Glenair.

Сотрудничество с глобальными дистрибьюторами электронных компонентов, предоставляет возможность заказывать и получать с международных складов практически любой перечень компонентов в оптимальные для Вас сроки.

На всех этапах разработки и производства наши партнеры могут получить квалифицированную поддержку опытных инженеров.

Система менеджмента качества компании отвечает требованиям в соответствии с ГОСТ Р ИСО 9001, ГОСТ РВ 0015-002 и ЭС РД 009

### Офис по работе с юридическими лицами:

105318, г.Москва, ул.Щербаковская д.3, офис 1107, 1118, ДЦ «Щербаковский»

Телефон: +7 495 668-12-70 (многоканальный)

Факс: +7 495 668-12-70 (доб.304)

E-mail: [info@moschip.ru](mailto:info@moschip.ru)

Skype отдела продаж:

moschip.ru

moschip.ru\_4

moschip.ru\_6

moschip.ru\_9