

ISL97692, ISL97693, ISL97694A

Single or Multiple Cell Li-ion Battery Powered 4-Channel and 6-Channel LED Drivers

FN7839  
Rev.6.00  
Sep 8, 2017

The [ISL97692](#), [ISL97693](#), [ISL97694A](#) are Intersil's highly integrated 4- and 6-channel LED drivers for display backlighting. These parts maximize battery life by featuring only 1mA quiescent current, and by operating down to 2.4V input voltage, with no need for higher voltage supplies.

The ISL97692 has four channels and provides 8-bit PWM dimming with adjustable dimming frequency up to 30kHz. The ISL97693 has six channels with Direct PWM dimming control. The ISL97694A has 6 channels and provides 8-, 10-, or 12-bit PWM dimming with adjustable dimming frequency up to 30kHz, 7.5kHz, or 1.875kHz, respectively, controlled with I<sup>2</sup>C or PWM input.

The ISL97692 and ISL97694A feature phase shifting that may be enabled optionally, providing an optimized phase delay between channels. In the ISL97692 and ISL97694A, phase shifting can multiply the effective dimming frequency by four and six allowing above audio-band PWM dimming with 10-bit dimming resolution.

The ISL97692, ISL97693, ISL97694A employ adaptive boost architecture, which keeps the headroom voltage as low as possible to maximize battery life while allowing ultra low dimming duty cycle as low as 0.005% at 100Hz dimming frequency in Direct PWM mode.

The ISL97692, ISL97693, ISL97694A incorporate extensive protection functions including string open and short circuit detections, OVP, and OTP.

The ISL97692 and ISL97693 are offered in the 16 Ld 3x3mm TQFN package, and a 16 bump 1.7x1.7mm WLCSP for the ISL97692. The ISL97694A is offered in the 20 Ld 3x4mm TQFN package. All parts operate in the ambient temperature range of -40°C to +85°C.

Features

- 2.4V minimum input voltage, supports single cell applications
- 4 channels, up to 40mA each (ISL97692) or 6 channels, up to 30mA each (ISL97693, ISL97694A)
- 90% efficient at 6P5S, 3.7V and 20mA (ISL97693, ISL97694A)
- Low 0.8mA quiescent current
- PWM dimming control with internally generated clock
  - 8-bit resolution with adjustable dimming frequency up to 30kHz (ISL97692, ISL97694A)
  - 12-bit resolution with adjustable dimming frequency up to 1.875kHz (ISL97694A)
  - Optional automatic channel phase shift (ISL97692, ISL97694A)
  - Linear dimming from 0.025%~100% up to 5kHz or 0.4%~100% up to 30kHz (ISL97692, ISL97694A)
- Direct PWM dimming with 0.005% minimum duty cycle at 100Hz
- ±2.5% output current matching
- Adjustable switching frequency from 400kHz to 1.5MHz

Applications

- Tablet, Notebook PC and Smart Phone Displays LED Backlighting

Related Literature

- For a full list of related documents, visit our website
  - [ISL97692](#), [ISL97693](#), [ISL97694A](#) product pages

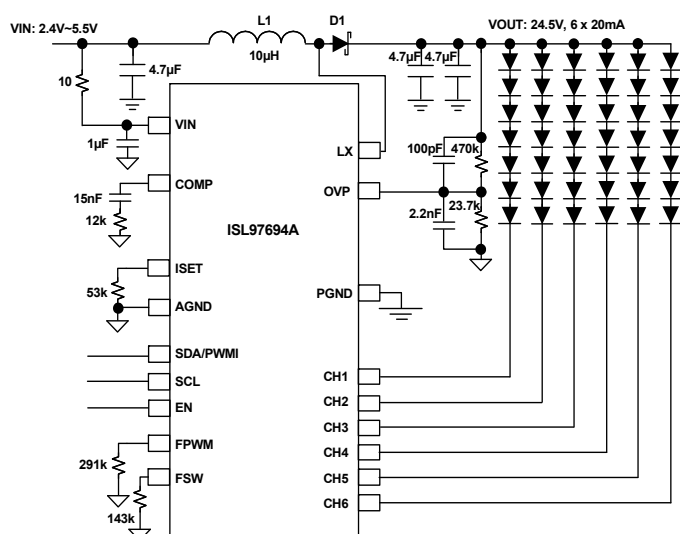


FIGURE 1. ISL97694A TYPICAL APPLICATION DIAGRAM

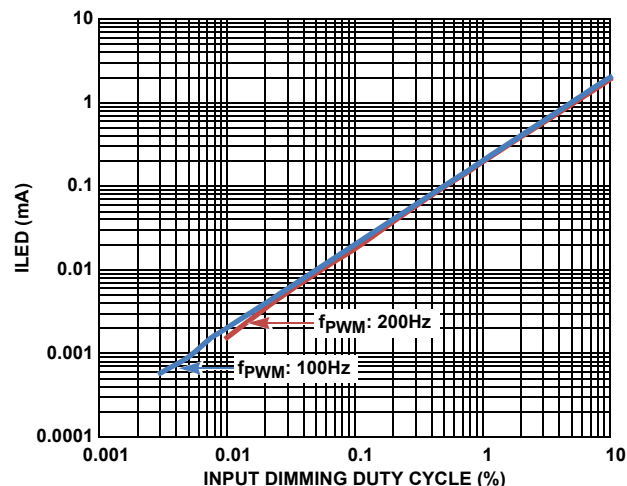


FIGURE 2. ULTRA LOW PWM DIMMING LINEARITY

# Table of Contents

<b>Typical Application Circuits</b> .....	<b>3</b>
<b>Block Diagrams</b> .....	<b>5</b>
<b>Pin Configurations</b> .....	<b>8</b>
<b>Pin Descriptions</b> .....	<b>9</b>
<b>Ordering Information</b> .....	<b>10</b>
<b>Absolute Maximum Ratings</b> .....	<b>11</b>
<b>Thermal Information</b> .....	<b>11</b>
<b>Recommended Operating Conditions</b> .....	<b>11</b>
<b>Electrical Specifications</b> .....	<b>11</b>
<b>Typical Performance Curves</b> .....	<b>14</b>
<b>Theory of Operation</b> .....	<b>16</b>
PWM Boost Converter .....	16
Enable .....	16
Dimming Controls .....	16
Direct PWM Dimming .....	16
Phase Shift Control .....	16
PWM Dimming Frequency Adjustment (ISL97692, ISL97694A) .....	17
Current Matching and Current Accuracy .....	18
Dynamic Headroom Control .....	18
Soft-Start and Power ON .....	18
Power-OFF Sequence .....	18
Operation with Input Voltage Greater than 5.5V .....	18
SMBus/I <sup>2</sup> C Communications .....	19
Write Byte .....	19
Read Byte .....	19
Slave Device Address .....	19
SMBus/I <sup>2</sup> C Register Definitions .....	20
<b>Component Selection</b> .....	<b>21</b>
Input Capacitor .....	21
Overvoltage Protection (OVP) .....	21
Boost Output Voltage Range .....	21
Switching Frequency .....	22
Inductor .....	22
Output Capacitor .....	22
Schottky Diode .....	22
Compensation .....	22
<b>Applications</b> .....	<b>22</b>
Unused LED Channels .....	22
Dimming Mode Setting .....	22
High Current Applications .....	22
<b>PCB Layout Considerations</b> .....	<b>23</b>
PCB Layout with TQFN and WLCSP Package .....	23
General Power PAD Design Considerations .....	23
<b>PCB Layout</b> .....	<b>24</b>
<b>Fault Protection and Monitoring</b> .....	<b>26</b>
Short Circuit Protection (SCP) .....	26
Open Circuit Protection (OCP) .....	26
Overvoltage Protection (OVP) .....	26
Undervoltage Lockout .....	26
Over-Temperature Protection (OTP) .....	26
<b>Revision History</b> .....	<b>28</b>
<b>About Intersil</b> .....	<b>29</b>
<b>Package Outline Drawing</b> .....	<b>30</b>

## Typical Application Circuits

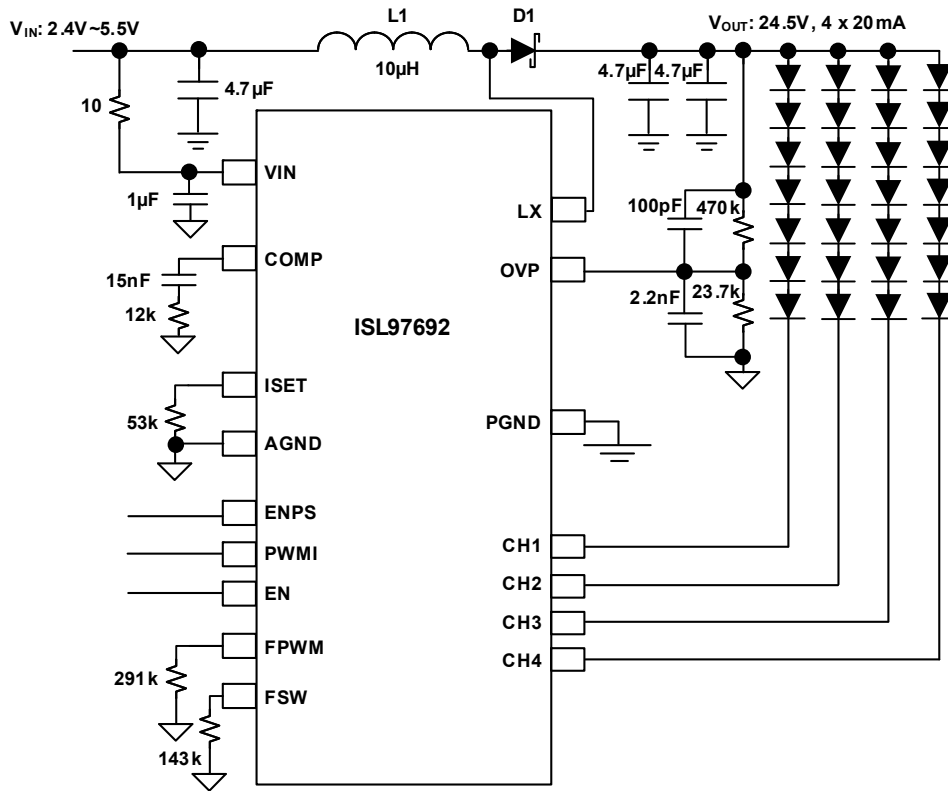


FIGURE 3. ISL97692 TYPICAL APPLICATION DIAGRAM - 4P7S

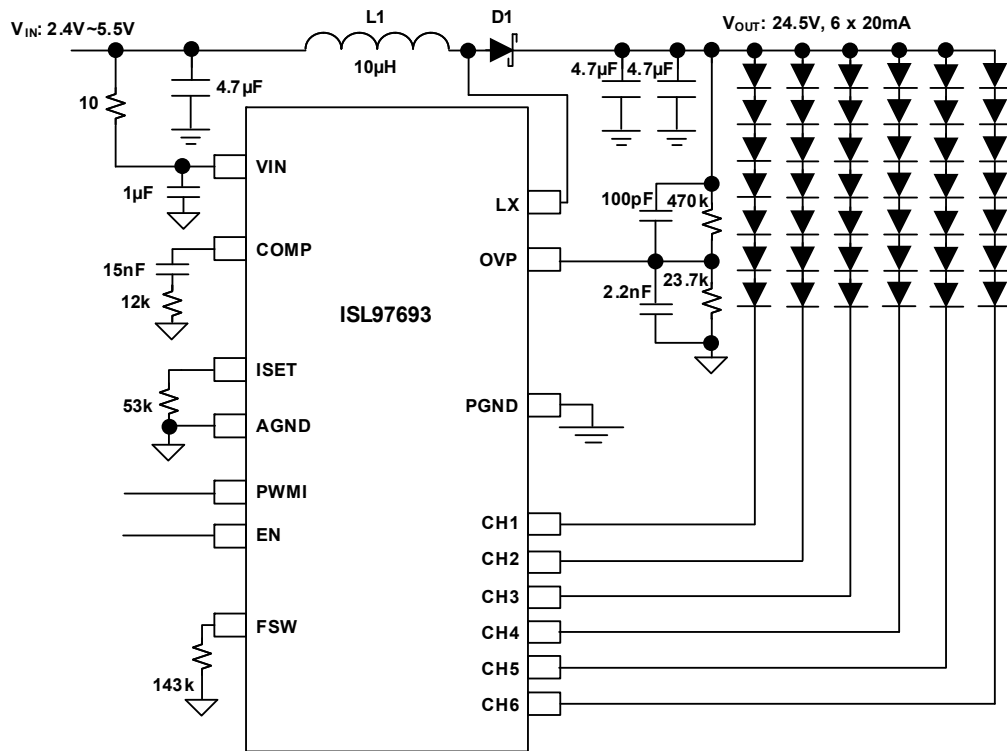


FIGURE 4. ISL97693 TYPICAL APPLICATION DIAGRAM - 6P7S

## Typical Application Circuits (Continued)

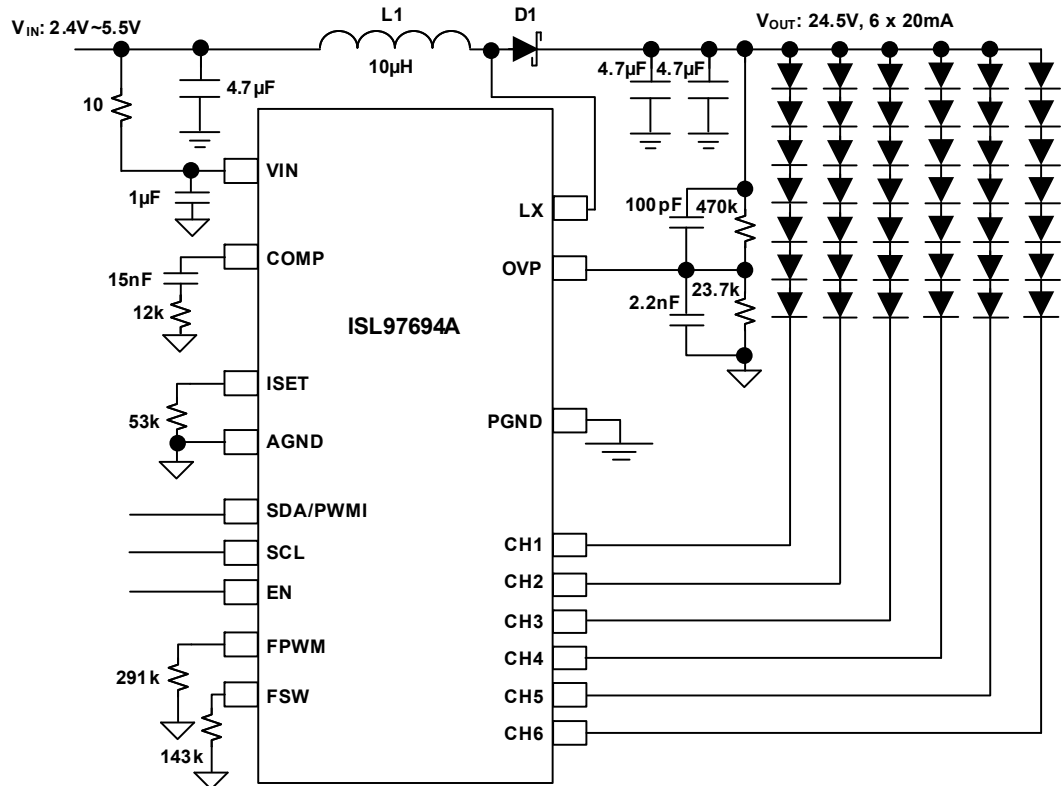


FIGURE 5. ISL97694A TYPICAL APPLICATION DIAGRAM- 6P7S

# Block Diagrams

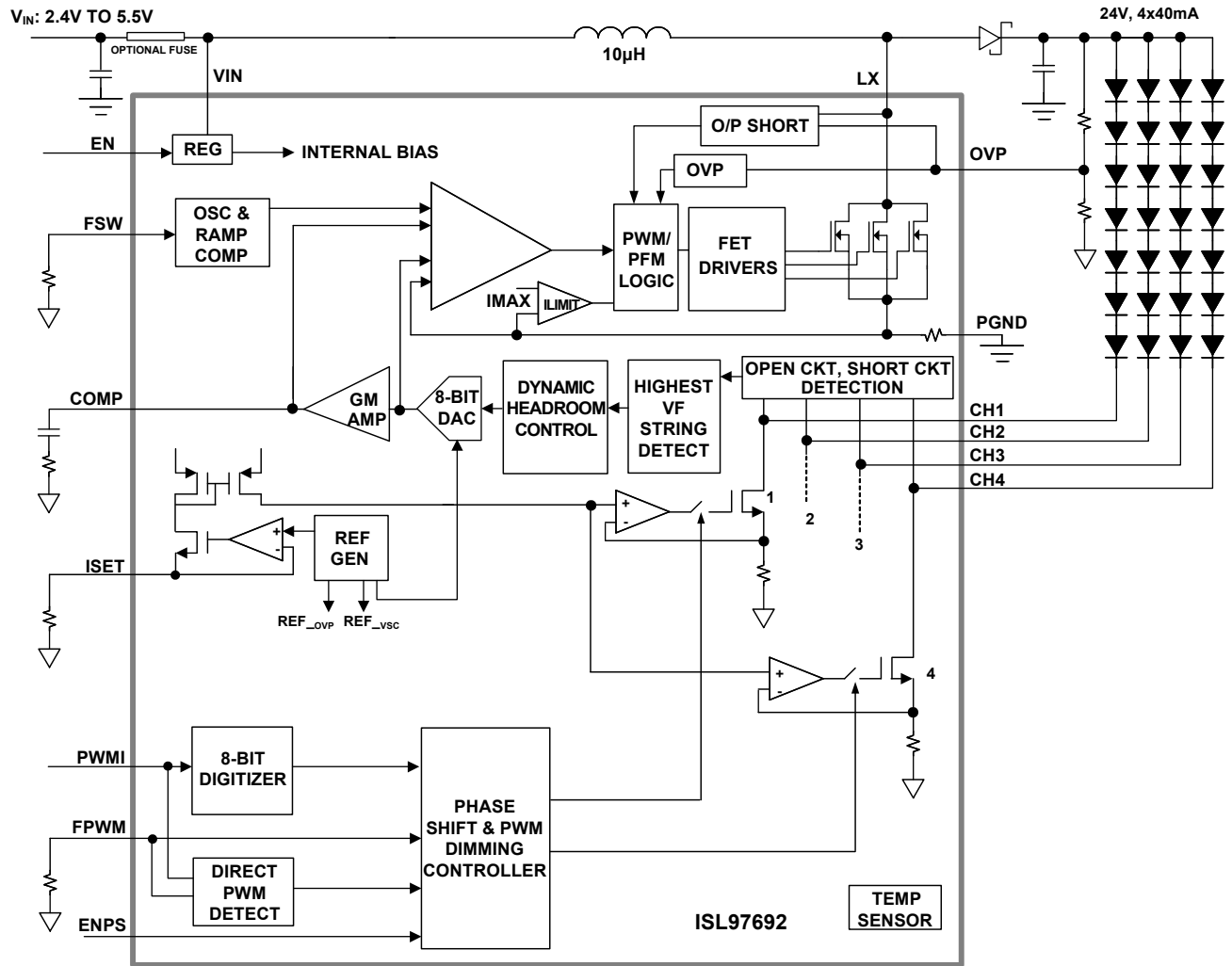


FIGURE 6. ISL97692 BLOCK DIAGRAM

**Block Diagrams (Continued)**

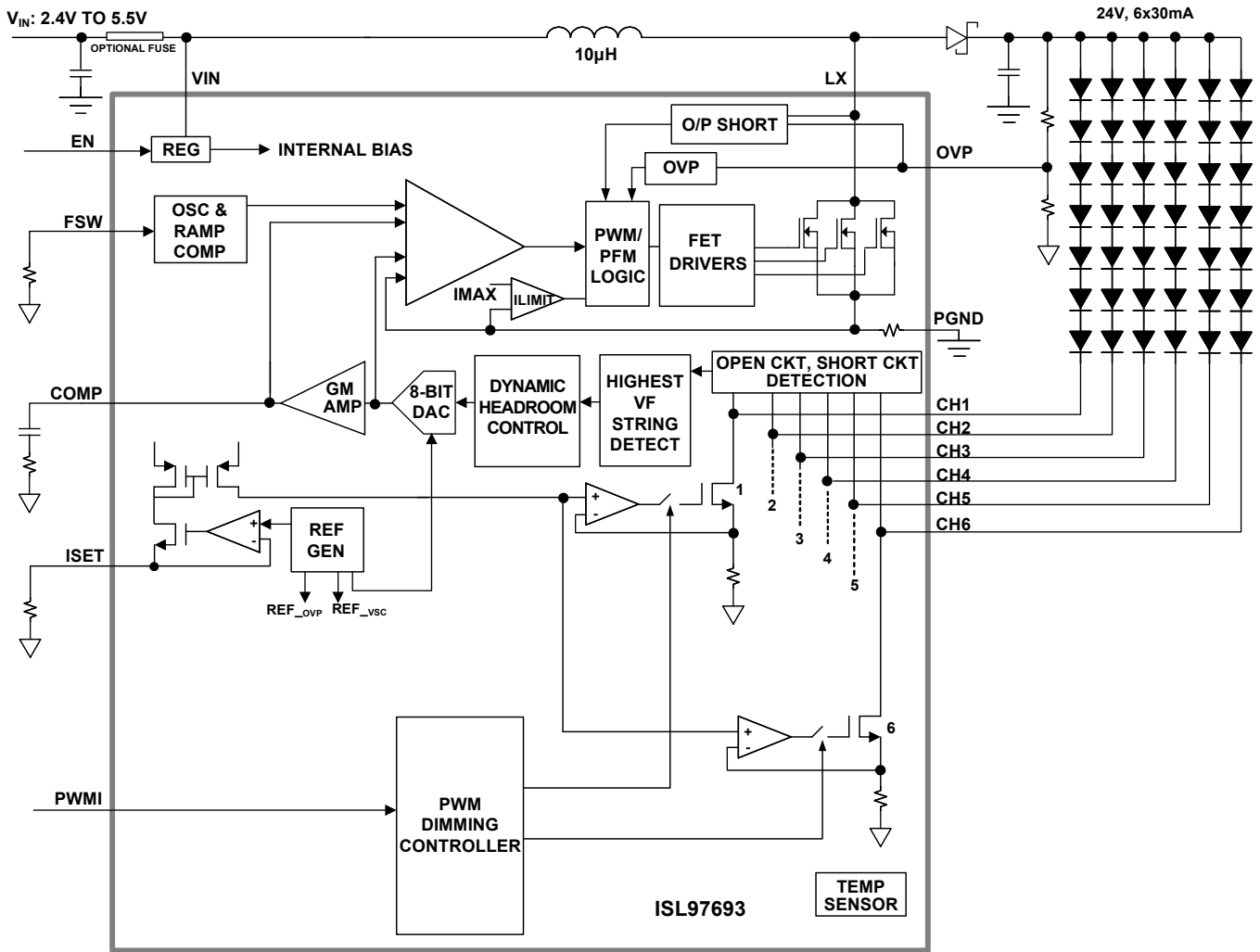


FIGURE 7. ISL97693 BLOCK DIAGRAM

## Block Diagrams (Continued)

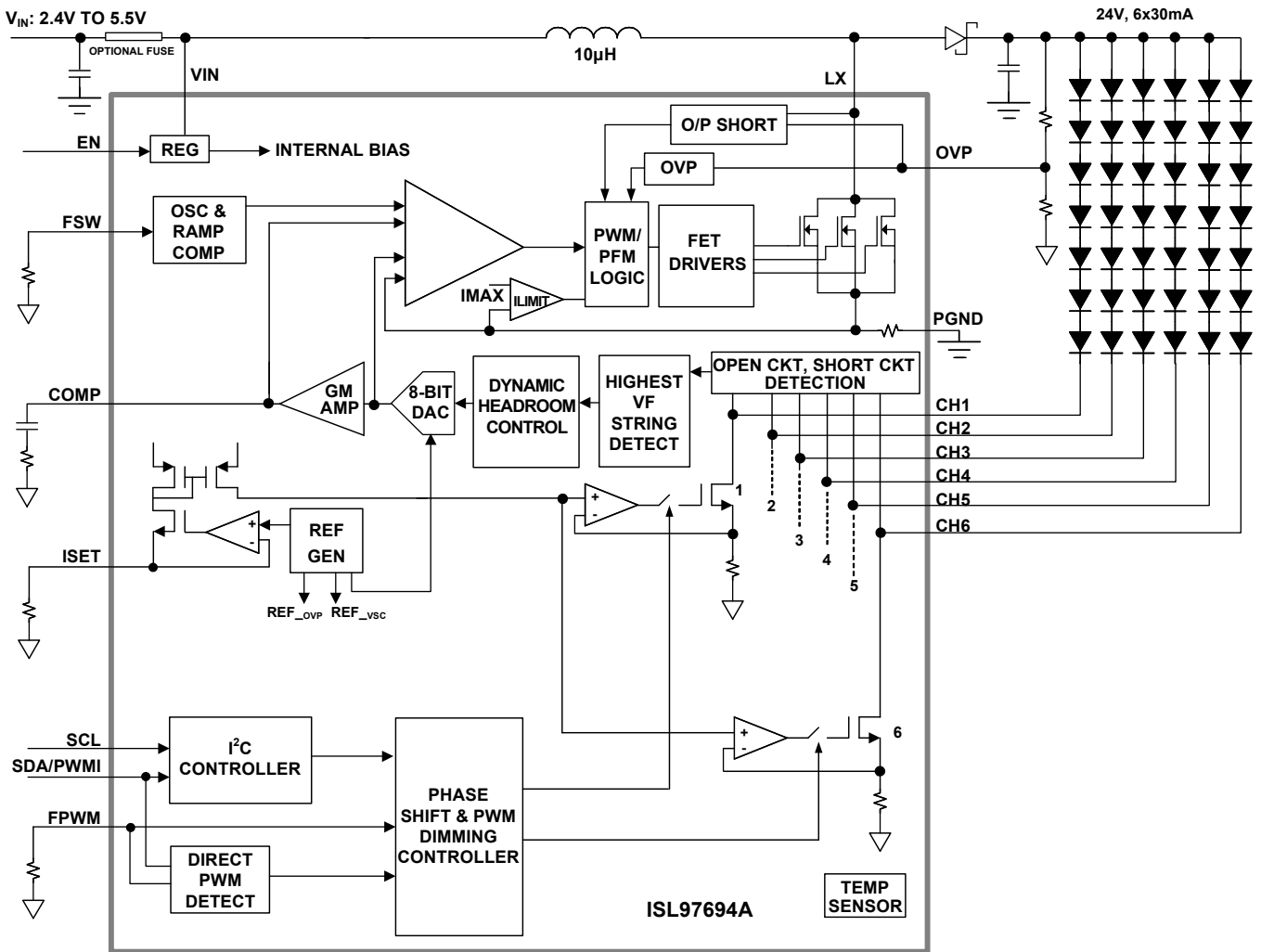
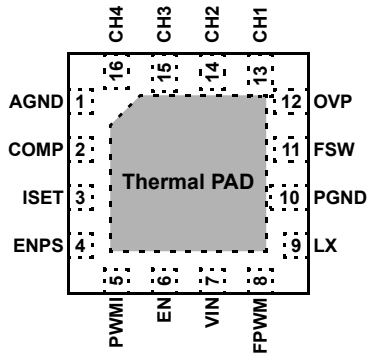


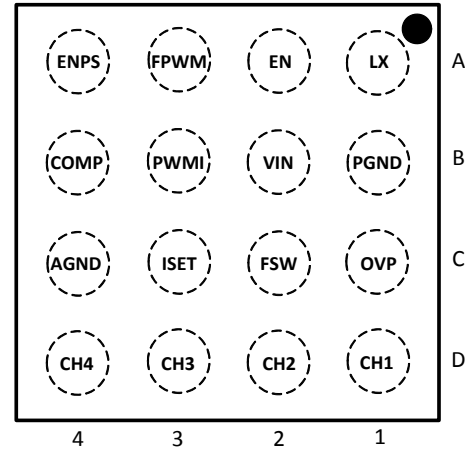
FIGURE 8. ISL97694A BLOCK DIAGRAM

# Pin Configurations

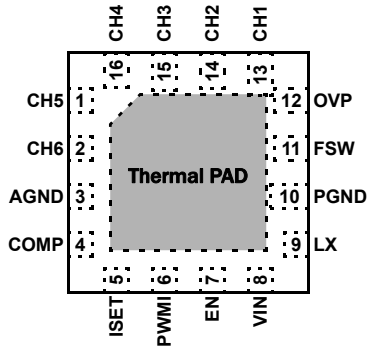
ISL97692  
(16 LD TQFN)  
TOP VIEW



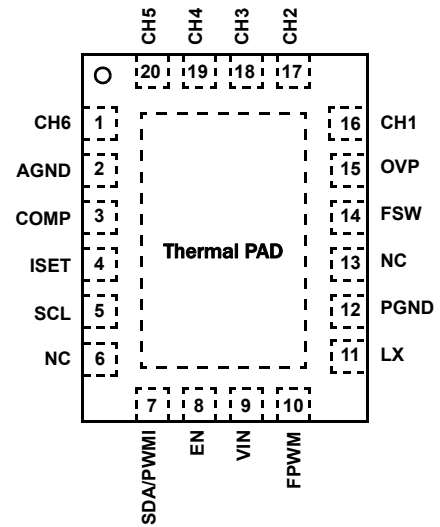
ISL97692  
(1.7x1.7x0.53mm, 16 BALL, 0.4mm PITCH WLCSP)  
TOP VIEW



ISL97693  
(16 LD TQFN)  
TOP VIEW



ISL97694A  
(20 LD TQFN)  
TOP VIEW





## Pin Descriptions

PIN NAME	ISL97692		ISL97693	ISL97694A	DESCRIPTION
	TQFN	WLCSP			
AGND	1	C4	3	2	Analog Ground for precision circuits.
CH5	-	-	1	20	Channel 5 current sink and channel monitoring. Tie pin to GND if channel unused.
CH6	-	-	2	1	Channel 6 current sink and channel monitoring. Tie pin to GND if channel unused.
COMP	2	B4	4	3	External compensation. Fit a series RC comprising 12kΩ and 15nF from COMP to GND.
ISET	3	C3	5	4	Channel current setting. The LED channel current is adjusted from 2mA to 40mA (ISL97692) or to 30mA with (ISL97693, ISL97694A) resistor R <sub>SET</sub> from ISET pin to GND.
ENPS	4	A4	-	-	Enable Phase Shift PWM Dimming Control. High = Enable. Low = Disable.
PWMI	5	B3	6	-	PWM Input Signal for ISL97692/3 for brightness control.
SCL (ISL97694A)	-	-	-	5	I <sup>2</sup> C serial clock input. Mode selection to PWMI input when tied to GND for ISL97694A.
SDA/PWMI (ISL97694A)	-	-	-	7	I <sup>2</sup> C serial data input and output. PWMI input when SCL tied to GND for ISL97694A.
EN	6	A2	7	8	Enable Input. High = Normal operation. Low = Shutdown.
VIN	7	B2	8	9	Input Supply Voltage.
FPWM	8	A3	-	10	Tie FPWM to VIN to select Direct PWM mode. In Direct PWM mode, the channel outputs follow the PWMI pin's frequency and pulse width. Connect resistor R <sub>FPWM</sub> from FPWM to GND to select PWM dimming frequency adjustment. In this mode, the channel outputs follow the PWMI pin's PWM duty, and the LED PWM dimming frequency is set by the value of resistor R <sub>FPWM</sub> .
LX	9	A1	9	11	Input to boost switch.
PGND	10	B1	10	12	Power ground (LX, C <sub>IN</sub> , and C <sub>OUT</sub> Power return).
FSW	11	C2	11	14	Switching Frequency Adjustment. The boost switching frequency is adjusted from 400kHz to 1.5MHz with resistor R <sub>FSW</sub> from FSW pin to GND.
OVP	12	C1	12	15	Overvoltage protection input.
CH1	13	D1	13	16	Channel 1 current sink and channel monitoring. Tie pin to GND if channel unused.
CH2	14	D2	14	17	Channel 2 current sink and channel monitoring. Tie pin to GND if channel unused.
CH3	15	D3	15	18	Channel 3 current sink and channel monitoring. Tie pin to GND if channel unused.
CH4	16	D4	16	19	Channel 4 current sink and channel monitoring. Tie pin to GND if channel unused.
NC	-	-	-	6, 13	Not connected internally.
PAD	-	-	-	-	Connect to PGND and refer to Figure 32 in the General Power PAD Design Considerations.

## Ordering Information

PART NUMBER (Note 5)	PART MARKING	TEMP RANGE (°C)	PACKAGE (RoHS Compliant)	PKG. DWG. #
ISL97692IRTZ (Notes 1, 3)	7692	-40 to +85	16 Ld 3x3x0.75mm TQFN	L16.3x3D
ISL97692IIZ-T (Notes 2, 4)	7692	-40 to +85	16 Bump 1.7x1.7mm, 0.4mm Pitch WLCSP	W4x4.16B
ISL97693IRTZ (Notes 1, 3)	7693	-40 to +85	16 Ld 3x3x0.75mm TQFN	L16.3x3D
ISL97694AIRTZ (Notes 1, 3)	694A	-40 to +85	20 Ld 3x4x0.8mm TQFN	L20.3x4A

### NOTES:

1. Add "-T" suffix for for 6k unit or "-TK" suffix for 1k unit tape and reel options. Refer to [TB347](#) for details on reel specifications.
2. Add "-T" suffix for for 3k unit tape and reel option. Refer to [TB347](#) for details on reel specifications.
3. These Intersil Pb-free plastic packaged products employ special Pb-free material sets, molding compounds/die attach materials, and 100% matte tin plate plus anneal (e3 termination finish, which is RoHS compliant and compatible with both SnPb and Pb-free soldering operations). Intersil Pb-free products are MSL classified at Pb-free peak reflow temperatures that meet or exceed the Pb-free requirements of IPC/JEDEC J STD-020.
4. These Intersil Pb-free WLCSP packaged products employ special Pb-free material sets; molding compounds/die attach materials and SnAgCu - e1 solder ball terminals, which are RoHS compliant and compatible with both SnPb and Pb-free soldering operations. Intersil Pb-free WLCSP packaged products are MSL classified at Pb-free peak reflow temperatures that meet or exceed the Pb-free requirements of IPC/JEDEC J STD-020.
5. For Moisture Sensitivity Level (MSL), see the product information page for [ISL97692](#), [ISL97693](#), [ISL97694A](#). For more information on MSL, see [TB363](#).

**Absolute Maximum Ratings** (Note 6)

VIN, ISET, COMP, OVP	-0.3V to 6V
PWMI, FPWM, FSW	-0.3V to 6V
EN, ENPS, SCL, SDA/PWMI	-0.3V to 6V
CH1 to CH6, LX	-0.3V to 28V
PGND, AGND	-0.3V to +0.3V
Maximum Average Current Into LX Pin for TQFN	2.6A
Maximum Average Current Into LX Pin for CSP	1A
<b>ESD Ratings</b>	
Human Body Model (Tested per JESD22-A114F) (ISL97692, ISL97693)	2kV
Human Body Model (Tested per JESD22-A114F) (ISL97694A)	2.5kV
Machine Model (Tested per JESD22-A115C)	200V
Charged Device Model (JESD22-C101E)	2kV
Latch-Up (Tested per JESD-78B; Class 2, Level A)	100mA

**Thermal Information**

Thermal Resistance (Typical)	$\theta_{JA}$ (°C/W)	$\theta_{JC}$ (°C/W)
16 Ld TQFN (Notes 7, 8)	51	4.6
20 Ld TQFN (Notes 7, 8)	45	3.0
16 Bump WLCSP (Note 7)	82	N/A
Thermal Characterization (Typical) (Note 9)	$PSI_{JT}$ (°C/W)	
16 Ld TQFN	0.11	
20 Ld TQFN	0.1	
Thermal Characterization (Typical)	$PSI_{JB}$ (°C/W)	
16 Bump WLCSP (Note 10)	22	
Maximum Continuous Junction Temperature	+125°C	
Storage Temperature	-65°C to +150°C	
Pb-Free Reflow Profile	see <a href="#">TB493</a>	

**Recommended Operating Conditions**

Input Voltage (VIN)	2.4V to 5.5V
Output Voltage (VOUT)	Up to 26V
Ambient Temperature Range	-40°C to +85°C

**CAUTION:** Do not operate at or near the maximum ratings listed for extended periods of time. Exposure to such conditions may adversely impact product reliability and result in failures not covered by warranty.

**NOTES:**

6. Voltage Ratings are all with respect to the AGND pin.
7.  $\theta_{JA}$  is measured in free air with the component mounted on a high-effective thermal conductivity test board with "direct attach" features. See [TB379](#).
8. For  $\theta_{JC}$ , the "case temp" location is the center of the exposed metal pad on the package underside.
9.  $PSI_{JT}$  is the PSI junction-to-top thermal characterization parameter. If the package top temperature can be measured with this rating then the die junction temperature can be estimated more accurately than the  $\theta_{JC}$  and  $\theta_{JC}$  thermal resistance ratings.
10.  $PSI_{JB}$  is the PSI junction-to-board thermal characterization parameter.

**Electrical Specifications** VIN = EN = 3.3V, TA = +25°C unless otherwise noted. **Boldface limits apply over the operating temperature range, -40°C to +85°C.**

PARAMETER	DESCRIPTION	CONDITION	MIN (Note 11)	TYP	MAX (Note 11)	UNIT
<b>GENERAL</b>						
VIN	Backlight Supply Voltage, (Notes 12, 13)	TA = +25°C	2.4		5.5	V
I <sub>VIN_Standby</sub>	Standby current	EN = Low, LDO disabled		1		μA
I <sub>VIN</sub>	VIN Active Current, I <sub>LED</sub> = 40mA (ISL97692) 30mA (ISL97693)/(ISL97694A)	All channels 100% duty		2.5		mA
		All channels 0% duty		0.8		mA
VOUT	Output Voltage	VIN ≥ 2.7V, I <sub>LED</sub> = 40mA (ISL97692) 30mA (ISL97693/4A)			<b>26</b>	V
V <sub>UVLO</sub>	Undervoltage Lockout Threshold		<b>2</b>	2.15	<b>2.35</b>	V
V <sub>UVLO_HYS</sub>	Undervoltage Lockout Hysteresis			150		mV
ENLow	EN Input Low Voltage				<b>0.5</b>	V
ENHi	EN Input High Voltage		<b>1.5</b>			V
<b>BOOST SWITCHING REGULATOR</b>						
SS	Soft-start	100% LED Duty Cycle		7		ms
SWLimit	Boost FET Current Limit for QFN	2.7V < VIN < 5.5V, f <sub>SW</sub> = 600kHz, L = 10μH, TA ≤ +55°C	<b>2.45</b>	2.8	<b>3.2</b>	A
	Boost FET Current Limit for CSP		<b>1.2A</b>	1.6A		A
r <sub>DS(ON)</sub>	Internal Boost Switch ON-Resistance	TA = +25°C		212		mΩ

**Electrical Specifications**  $V_{IN} = EN = 3.3V$ ,  $T_A = +25^\circ C$  unless otherwise noted. **Boldface limits apply over the operating temperature range,  $-40^\circ C$  to  $+85^\circ C$ .** (Continued)

PARAMETER	DESCRIPTION	CONDITION	MIN (Note 11)	TYP	MAX (Note 11)	UNIT
Eff_peak	Peak Efficiency	$V_{IN} = 5.5V$ , $V_{OUT} = 21V$ , $T_A = +25^\circ C$ , $R_{FSW} = 144k\Omega$ , $I_{CH1-CH6} = 20mA$ , $L = 10\mu H$ with $DCR \leq 150m\Omega$		90		%
		$V_{IN} = 2.7V$ , $V_{OUT} = 21V$ , $T_A = +25^\circ C$ , $R_{FSW} = 144k\Omega$ , $I_{CH1-CH6} = 20mA$ , $L = 10\mu H$ with $DCR \leq 150m\Omega$		76		%
D_MAX	Boost Maximum Duty Cycle	$F_{SW} = 400kHz$	<b>93.5</b>			%
		$F_{SW} = 1.5MHz$	<b>93</b>			%
D_MIN	Boost Minimum Duty Cycle	$F_{SW} = 400kHz$			<b>11</b>	%
		$F_{SW} = 1.5MHz$			<b>15</b>	%
f_SW	Boost Switching Frequency	$R_{FSW} = 216k\Omega$	<b>360</b>	400	<b>440</b>	kHz
		$R_{FSW} = 72.1k\Omega$		1.2		MHz
		$R_{FSW} = 57.7k\Omega$	<b>1.35</b>	1.5	<b>1.65</b>	MHz
ILX_leakage	LX Leakage Current	$LX = 26V$			<b>10</b>	$\mu A$
<b>REFERENCE</b>						
I_MATCH	Channel-to-Channel DC Current Matching	$I_{LED} = 20mA$	<b>-2.5</b>		<b>+2.5</b>	%
I_ACC	Current Accuracy	$I_{LED} = 20mA$	<b>-3</b>		<b>+3</b>	%
<b>FAULT DETECTION</b>						
V_SC	Channel Short Circuit Threshold		<b>6.75</b>	8	<b>9.25</b>	V
V_temp	Over-Temperature Threshold			150		$^\circ C$
V_OVPio	Overvoltage Limit on OVP Pin		<b>1.180</b>	1.22	<b>1.245</b>	V
OVP_fault	OVP Short Detection Fault Level			75		mV
<b>CURRENT SOURCES</b>						
V_headroom	Dominant Channel Current Source Headroom at CH Pin	$I_{LED} = 20mA$ $T_A = +25^\circ C$		300 (Note 14)		mV
V_HEADROOM_RANGE	Dominant Channel Current Sink Headroom Range at CHx Pin	$I_{LED} = 20mA$ , $T_A = +25^\circ C$		65		mV
I_LED(max)	Maximum LED Current per Channel	$2.7V < V_{IN} < 5.5V$ , $V_{OUT} = 21V$ (ISL97692 QFN)	40			mA
		$2.7V < V_{IN} < 5.5V$ , $V_{OUT} = 21V$ (ISL97692 WLCSP, ISL97693, and ISL97694A)	30			mA
<b>PWM GENERATOR</b>						
V_IL	Guaranteed Range for PWM Input Low Voltage				<b>0.5</b>	V
V_IH	Guaranteed Range for PWM Input High Voltage		<b>1.5</b>			V
F_PWM	PWM Input and Output Frequency Range	8-bit Dimming Resolution	<b>100</b>		<b>30,000</b>	Hz
		10-bit Dimming Resolution	<b>100</b>		<b>7.5</b>	kHz
		12-bit Dimming Resolution	<b>100</b>		<b>1.87</b>	kHz
DPWM_ACC	Direct PWM Dimming Output Resolution	(ISL97692, ISL97693 and ISL97694A)		80		ns
t_DPWM_ON_MIN	Direct PWM Dimming Minimum On-Time	(ISL97692, ISL97693 and ISL97694A)		350		ns
PWM_ACC	PWM Dimming with Adjustable Dimming Frequency Output Resolution	(ISL97692, ISL97694A)		8		bit
		ISL97694A, En10Bit = 1		10		bit
		ISL97694A, En12Bit = 1		12		bit

**Electrical Specifications**  $V_{IN} = EN = 3.3V$ ,  $T_A = +25^\circ C$  unless otherwise noted. **Boldface limits apply over the operating temperature range,  $-40^\circ C$  to  $+85^\circ C$ .** (Continued)

PARAMETER	DESCRIPTION	CONDITION	MIN (Note 11)	TYP	MAX (Note 11)	UNIT
$F_{PWM}$	Generated PWM Dimming Frequency Range	(ISL97692, ISL97694A)	<b>100</b>		<b>30,000</b>	Hz
<b>SMBus/I<sup>2</sup>C INTERFACE (ISL97694A only)</b>						
VIL	Guaranteed Range for Data, Clock Input Low Voltage				<b>0.5</b>	V
VIH	Guaranteed Range for Data, Clock Input High Voltage		<b>1.5</b>		<b>VDD</b>	V
VOL	SMBus/I <sup>2</sup> C Output Data Line Logic Low Voltage	$I_{PULLUP} = 4mA$			<b>0.17</b>	V
$I_{LEAK}$	Input Leakage On SDA/SCL	Measured at 4.8V	<b>-10</b>		<b>10</b>	$\mu A$
<b>SMBus/I<sup>2</sup>C TIMING SPECIFICATIONS (ISL97694A only)</b>						
$t_{EN-SMBus/I^2C}$	Minimum Time between $V_{IN} > UVLO$ and SMBus/I <sup>2</sup> C Enabled		<b>2</b>			ms
$F_{SCL}$	SCL Clock Frequency				<b>400</b>	kHz
$t_{BUF}$	Bus Free Time Between Stop and Start Condition		<b>1.3</b>			$\mu s$
$t_{HD:STA}$	Hold Time After (Repeated) START Condition	After this Period, the First Clock is Generated	<b>0.6</b>			$\mu s$
$t_{SU:STA}$	Repeated Start Condition Setup Time		<b>0.6</b>			$\mu s$
$t_{SU:STO}$	Stop Condition Setup Time		<b>0.6</b>			$\mu s$
$t_{HD:DAT}$	Data Hold Time		<b>300</b>			ns
$t_{SU:DAT}$	Data Setup Time		<b>100</b>			ns
$t_{HIGH}$	Low Period of SCL Clock		<b>1.3</b>			$\mu s$
$t_{LOW}$	High Period of SCL Clock		<b>0.6</b>			$\mu s$
$t_F$	Clock/data Fall Time				300	ns
$t_R$	Clock/data Rise Time				300	ns

## NOTES:

- Parameters with MIN and/or MAX limits are 100% tested at  $+25^\circ C$ , unless otherwise specified. Temperature limits established by characterization and are not production tested.
- At maximum  $V_{IN}$  of 5.5V, minimum  $V_{OUT}$  is 6V. Minimum  $V_{OUT}$  can be lower at lower  $V_{IN}$ .
- Limits established by characterization and are not production tested.
- Varies within the range specified by  $V_{HEADROOM\_RANGE}$ .

## Typical Performance Curves

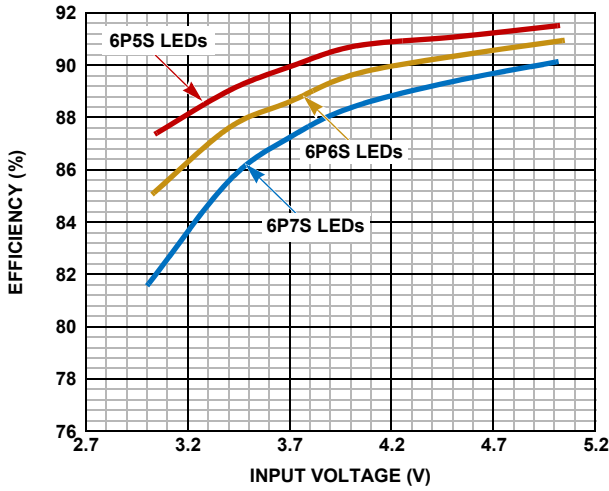


FIGURE 9. EFFICIENCY vs  $V_{IN}$  ( $I_{CH}$ : 20mA,  $f_{DIM}$ : 200Hz, FOR LEDs: 6P5S, 6P6S, 6P7S)

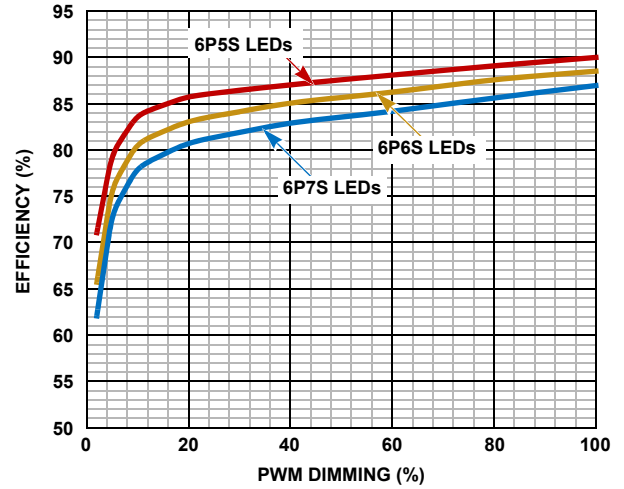


FIGURE 10. EFFICIENCY vs PWM DIMMING ( $V_{IN}$ : 3.7V,  $I_{CH}$ : 20mA,  $f_{DIM}$ : 200Hz, FOR LEDs: 6P5S, 6P6S, 6P7S)

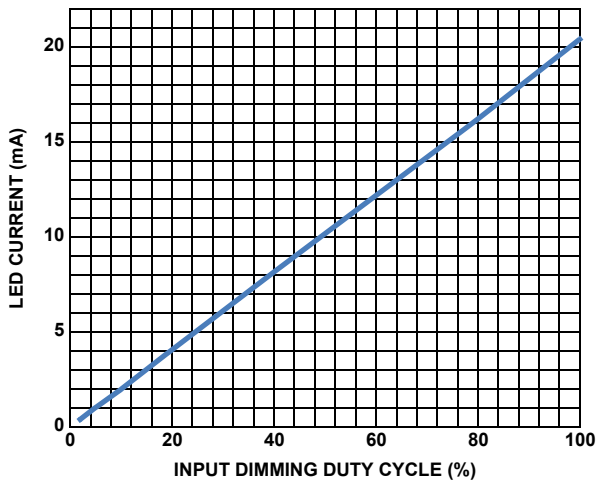


FIGURE 11. PWM DIMMING LINEARITY ( $V_{IN}$ : 3.7V,  $V_{OUT}$ : 21V FOR 6P7S,  $f_{DIM}$ : 200Hz)

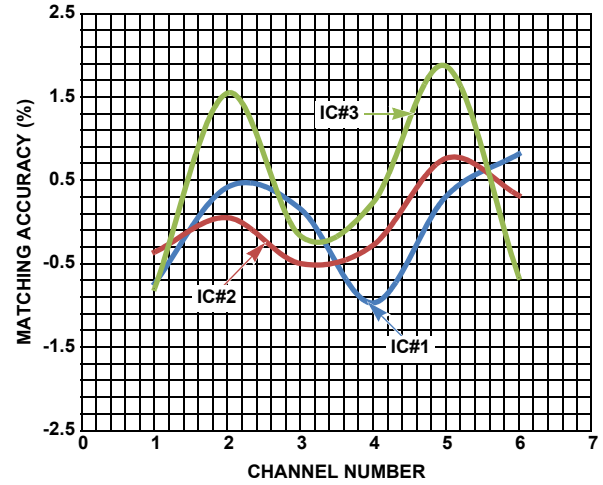


FIGURE 12. CHANNEL MATCHING ACCURACY ( $V_{IN}$ : 3.7V,  $V_{OUT}$ : 21V FOR 6P7S,  $I_{CH}$ : 20mA)

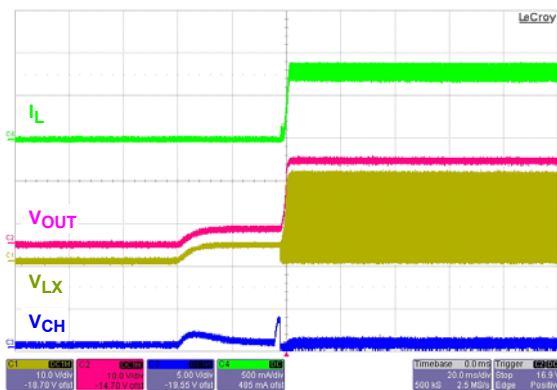


FIGURE 13. START-UP (100% DIRECT PWM DIMMING,  $V_{IN}$ : 3.7V,  $I_{CH}$ : 20mA, LEDs: 6P7S,  $f_{DIM}$ : 200Hz)

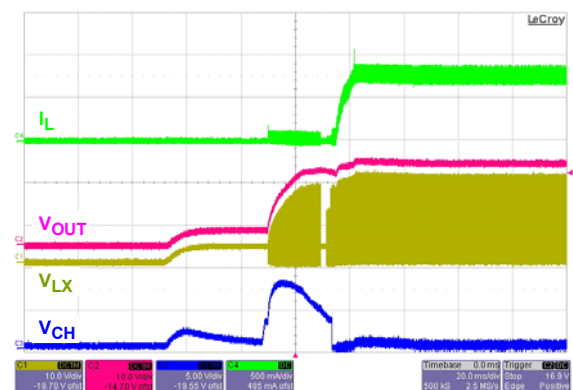


FIGURE 14. START-UP (100% DECODED PWM DIMMING,  $V_{IN}$ : 3.7V,  $I_{CH}$ : 20mA, LEDs: 6P7S,  $f_{DIM}$ : 200Hz)

## Typical Performance Curves (Continued)

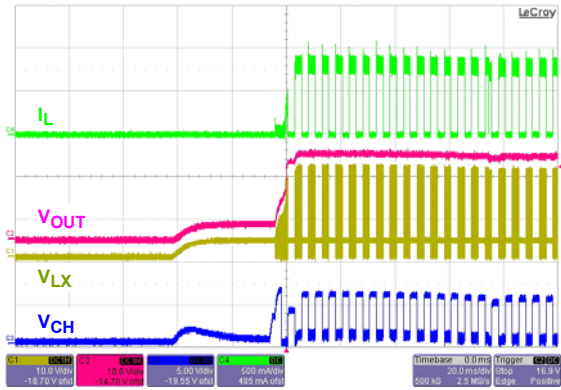


FIGURE 15. START-UP (50% DIRECT PWM DIMMING,  $V_{IN}$ : 3.7V,  $I_{CH}$ : 20mA, LEDs: 6P7S,  $f_{DIM}$ : 200Hz)

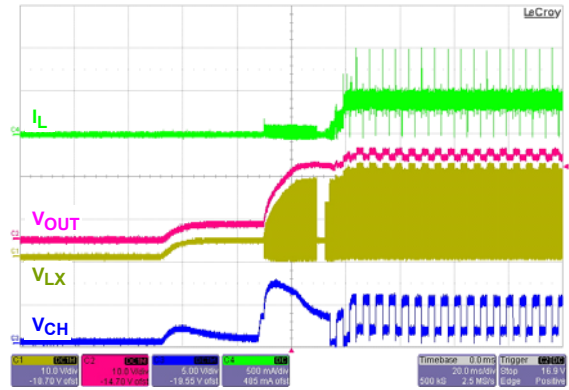


FIGURE 16. START-UP (50% DECODED PWM DIMMING,  $V_{IN}$ : 3.7V,  $I_{CH}$ : 20mA, LEDs: 6P7S,  $f_{DIM}$ : 200Hz)

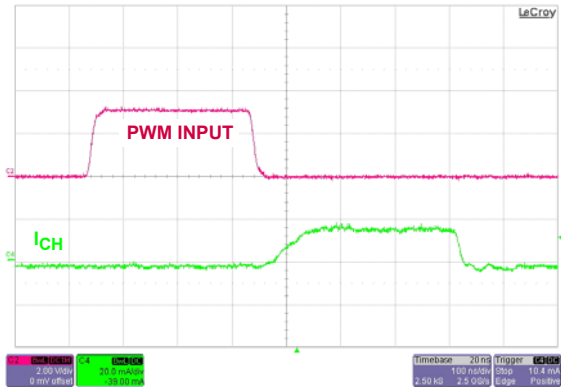


FIGURE 17. MINIMUM DIMMING DUTY CYCLE (0.003% DIRECT PWM DIMMING MODE,  $f_{DIM}$ : 100Hz)

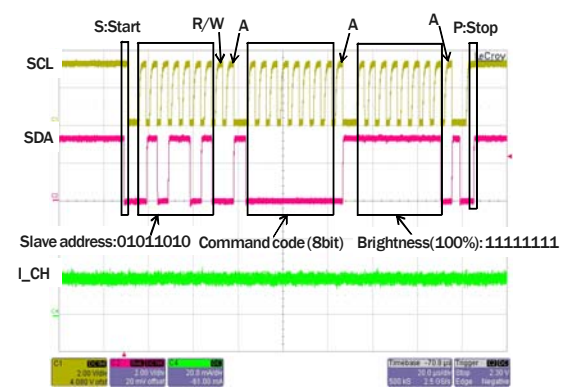


FIGURE 18. I<sup>2</sup>C CONTROL TIMING AND CHANNEL CURRENT (100% DIMMING, ISL97694A)

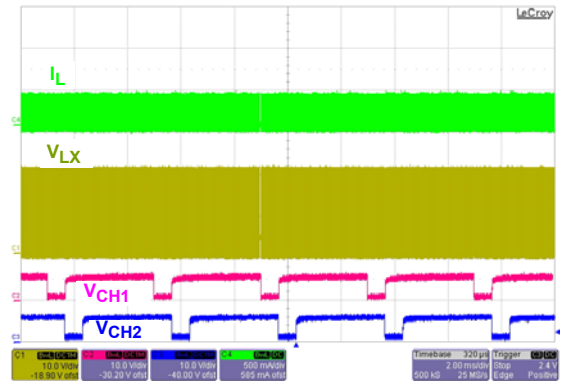


FIGURE 19. DECODED PWM DIMMING WITH PHASE SHIFT ( $V_{IN}$ : 3.7V,  $I_{CH}$ : 20mA, DIM: 17%,  $f_{DIM}$ : 250Hz, LEDs: 6P6S)

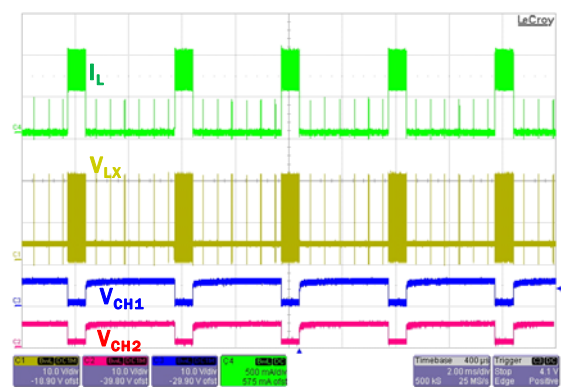


FIGURE 20. DIRECT PWM DIMMING WITHOUT PHASE SHIFT ( $V_{IN}$ : 3.7V,  $I_{CH}$ : 20mA, DIM: 17%,  $f_{DIM}$ : 250Hz, LEDs: 6P6S)

## Theory of Operation

### PWM Boost Converter

The current mode PWM boost converter produces the minimal voltage needed to enable the LED stack with the highest forward voltage drop to run at the programmed current. The ISL97692, ISL97693, ISL97694A employs current mode control boost architecture that has a fast current sense loop and a slow voltage feedback loop. This architecture achieves the fast transient response, which is essential for portable product backlight applications where the backlight must not flicker when the power source is changed from a drained battery to an AC/DC adapter.

The number of LEDs that can be driven by ISL97692, ISL97693, ISL97694A depends on the type of LED chosen in the application. The maximum output is 26V at 40mA from 2.7V input.

### Enable

Take the EN input high to enable the ISL97692, ISL97693, ISL97694A for normal operation and low to enter low-power shutdown, which immediately turns off LED channels and the boost regulator.

### Dimming Controls

The ISL97692, ISL97693, ISL97694A allows the LED current to be programmed in the range 2mA to 40mA (ISL97692) or 2mA to 30mA (ISL97693, ISL97694A) by  $R_{SET}$  per Equation 1:

$$I_{LEDmax} = \frac{1066}{R_{SET}} \quad (EQ. 1)$$

Where:

- 1066 is a constant determined by design
- $R_{SET}$  is the resistor from ISET pin to GND ( $\Omega$ )
- $I_{LEDmax}$  is the peak current set by resistor  $R_{SET}$  (A)

For example, if the required LED current ( $I_{LEDmax}$ ) is 40mA, then the  $R_{SET}$  value needed is:

$$R_{SET} = 1066 / 0.04 = 26.65k\Omega \quad (EQ. 2)$$

Choose the nearest standard resistor: 26.65k $\Omega$ , 0.1%

### Direct PWM Dimming

The ISL97693 always operates in Direct PWM dimming mode. The ISL97692 and ISL97694A can be selected to operate in Direct PWM dimming mode by connecting the FPWM pin to VIN and the SCL pin of ISL97694A must be tied to GND.

With Direct PWM, the channel outputs follow the input PWM signal frequency and pulse width, as provided to the PWMI pin. When PWMI is high, all channels sink the current set by the  $R_{SET}$  resistor. When PWMI is low, all channels are high-Z.

The maximum allowed input PWM frequency at PWMI is 30kHz. The minimum duty is calculated by Equation 3 according to the input PWM frequency, and is set by the minimum channel on-time of 350ns.

$$\text{Min Duty Cycle} = 350\text{ns} \times \text{Input PWM Frequency} \quad (EQ. 3)$$

For example, for a 200Hz input PWM frequency, the minimum duty cycle is:

$$\text{Min Duty Cycle} = 350\text{ns} \times 200\text{Hz} = 0.007\% \quad (EQ. 4)$$

The resolution is calculated by Equation 5 according to the input PWM frequency, and the fixed 80ns resolution of ISL97692, ISL97693, ISL97694A.

$$\text{PWM Resolution} = \frac{1}{80\text{ns} \times \text{Input PWM Frequency}} \quad (EQ. 5)$$

Thus the effective resolution at 200Hz is 15.9 bits:

$$\text{PWM Resolution} = \frac{1}{80\text{ns} \times 200\text{Hz}} = 62500 = 15.9\text{bits} \quad (EQ. 6)$$

### Phase Shift Control

The ISL97692, ISL97694A are capable of delaying the phase of each current source. Conventional LED drivers exhibit the worst load transients to the boost circuit by turning on all channels simultaneously, as shown in Figures 21 and 23. In contrast, the ISL97692, ISL97694A phase shift each channel by turning them on once during each PWM dimming period, as shown in Figures 22 and 24. At each dimming duty cycle (except at 100%) the sum of the phase shifted total current will be less than a conventional LED drivers' total current.

For the ISL97692, ISL97694A, the channels are separated by  $360^\circ/N$ , where N is number of channels enabled. For example, if three channels are enabled, they will be separated by  $120^\circ$ .

If the channels are combined for higher current application, the phase shift function must be disabled by connecting the ENPS pin to ground.

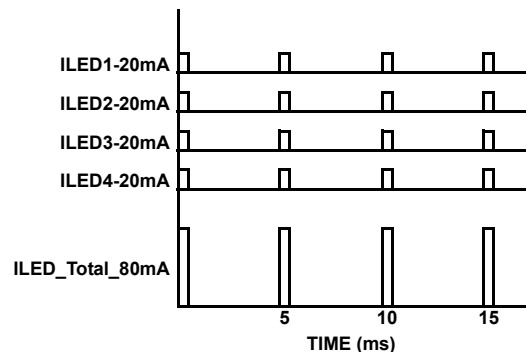


FIGURE 21. CONVENTIONAL 4-CH LED DRIVER WITH 10% PWM DIMMING CHANNEL CURRENT (UPPER) AND TOTAL CURRENT (LOWER)



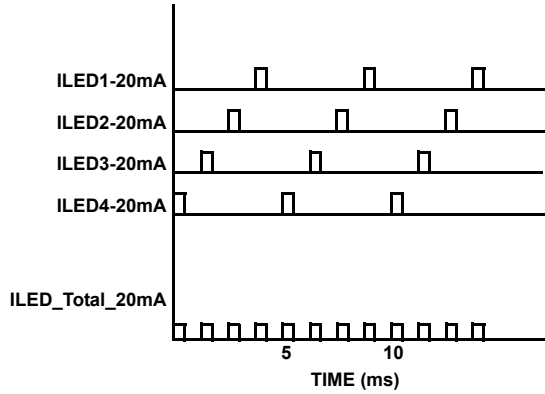


FIGURE 22. ISL97692 PHASE SHIFT 4-CHANNELS LED DRIVER WITH 10% PWM DIMMING CHANNEL CURRENT (UPPER) AND TOTAL CURRENT (LOWER)

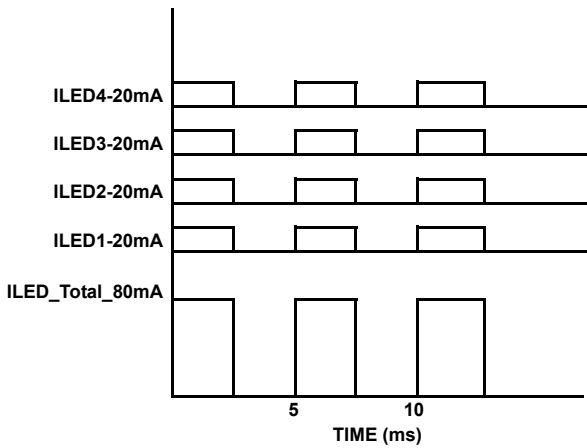


FIGURE 23. CONVENTIONAL LED DRIVER PWM DIMMING CHANNEL AND TOTAL CURRENT AT 50% DUTY CYCLE

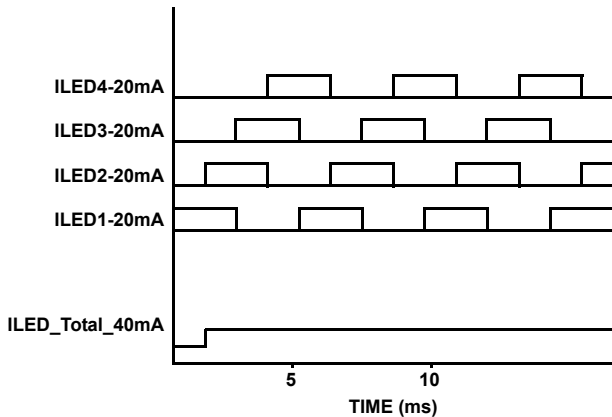


FIGURE 24. ISL97692 PHASE SHIFT LED DRIVER PWM DIMMING CHANNEL AT 50% DUTY CYCLE

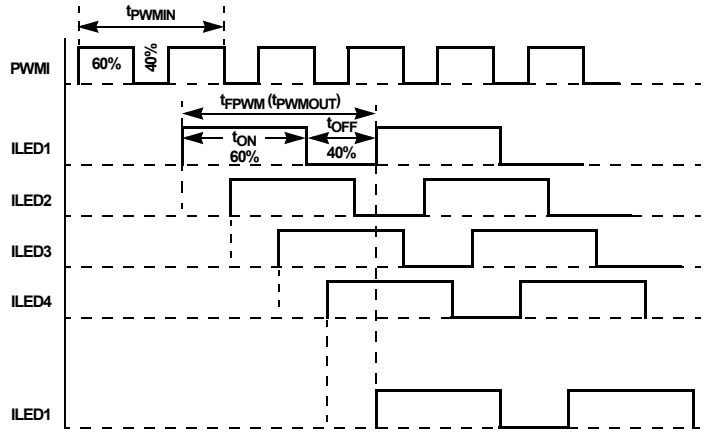


FIGURE 25. ISL97692 4-CHANNELS PHASE SHIFT TIMING ILLUSTRATION

### PWM Dimming Frequency Adjustment (ISL97692, ISL97694A)

The ISL97692 and ISL97694A can use an internal oscillator to generate the PWM dimming frequency. In this mode, the duty of the signal at PWMI pin is measured with 8-, 10- or 12-bit resolution, and applied to the internally generated PWM dimming frequency. The dimming frequency is set by an external resistor  $R_{FPWM}$  at the FPWM pin for ISL97692 and ISL97694A, per Equation 7:

$$R_{FPWM} = \frac{R_0}{F_{PWM}} \quad (EQ. 7)$$

Where:

- $R_0$  is determined by design
- $R_0 = 58.1 \times 10^6$  for 8-bit
- $R_0 = 14.5 \times 10^6$  for 10-bit
- $R_0 = 36.2 \times 10^5$  for 12-bit
- $F_{PWM}$  is the required PWM dimming frequency (Hz)
- $R_{FPWM}$  is the resistor from FPWM pin to GND ( $\Omega$ )

For example, to set the PWM dimming frequency to 480Hz at 8-bit resolution:

$$R_{FPWM} = \frac{58.1 \times 10^6}{480} = 121k\Omega \quad (EQ. 8)$$

The maximum allowed input and output PWM dimming frequency varies according to the PWM resolution, per Table 1. This is configurable for the ISL97694A by the En12Bit and En10Bit bits in register 0x01.

TABLE 1. MAX PWM DIMMING FREQUENCY SET BY  $R_{FPWM}$

PART	MAX FREQUENCY (kHz)	PWM RESOLUTION (BIT MODE)
ISL97692	30	8
ISL97694A	30	8
	7.5	10
	1.875	12

### Current Matching and Current Accuracy

Each channel of the LED current is regulated by a current sink circuit.

The LED peak current is set by the external  $R_{SET}$  resistor according to Equation 1. The current sink MOSFETs in each LED driver channel output are designed to operate within a range at about 300mV to optimize power loss versus accuracy requirements. The sources of errors of the channel-to-channel current matching come from internal amplifier offsets, internal layout and reference accuracy. These parameters are optimized for current matching and absolute current accuracy. Absolute accuracy is also determined by the external resistor  $R_{SET}$ , and so a 0.1% tolerance resistor is recommended.

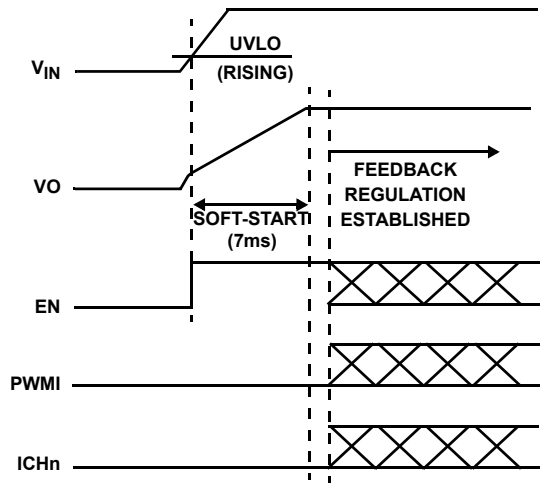
### Dynamic Headroom Control

The ISL97692, ISL97693, ISL97694A features a proprietary Dynamic Headroom Control circuit that detects the highest forward voltage string or effectively the lowest voltage on any of the channel pins. When this lowest channel voltage is lower than the short circuit threshold,  $V_{SC}$ , such voltage will be used as the feedback signal for the boost regulator. The boost makes the output to the correct level, such that the lowest channel pin is at the target headroom voltage. Since all LED stacks are connected to the same output voltage, the other channel pins will have a higher voltage, but the regulated current source circuit on each channel will ensure that each channel has the same current. The output voltage will regulate cycle-by-cycle and it is always referenced to the highest forward voltage string in the architecture.

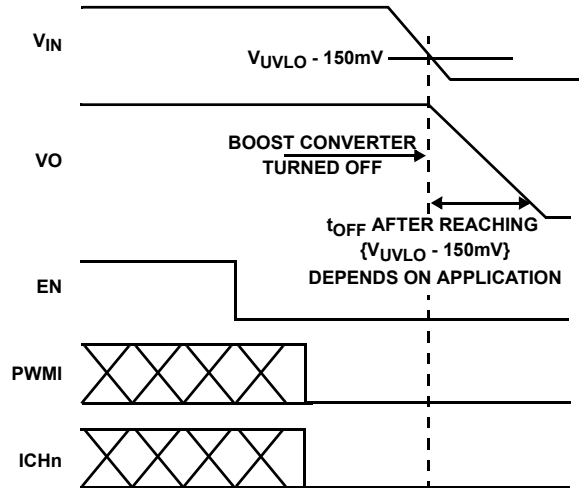
### Soft-Start and Power ON

Once the ISL97692, ISL97693, ISL97694A are powered up and the EN pin is taken high, the boost regulator will begin to switch and the current in the inductor will ramp-up. The current in the boost power switch is monitored and the switching is terminated in any cycle where the current exceeds the current limit. The ISL97692, ISL97693, ISL97694A includes a soft-start feature where this current limit starts at a low value (350mA). This is stepped up to the final 2.8A current limit in seven further steps of 350mA. These steps will happen over typically 7ms, and will be extended at low LED PWM frequencies if the LED duty cycle is low. This allows the output capacitor to be charged to the required value at a low current limit and prevents high input current for systems that have only a low to medium output current requirement.

Note that there will be also an initial in-rush current to  $C_{OUT}$  when  $V_{IN}$  is applied. This is determined by the ramp rate of  $V_{IN}$  and the values of  $C_{OUT}$  and L



### Power-OFF Sequence



### Operation with Input Voltage Greater than 5.5V

The ISL97692, ISL97693, ISL97694A boost regulator can operate from an input voltage higher than 5.5V, and up to 23V, as long as an additional supply voltage between 2.4V and 5.5V is available for the VIN pin. Please refer to Figure 26 for a typical application schematic adopting this solution.

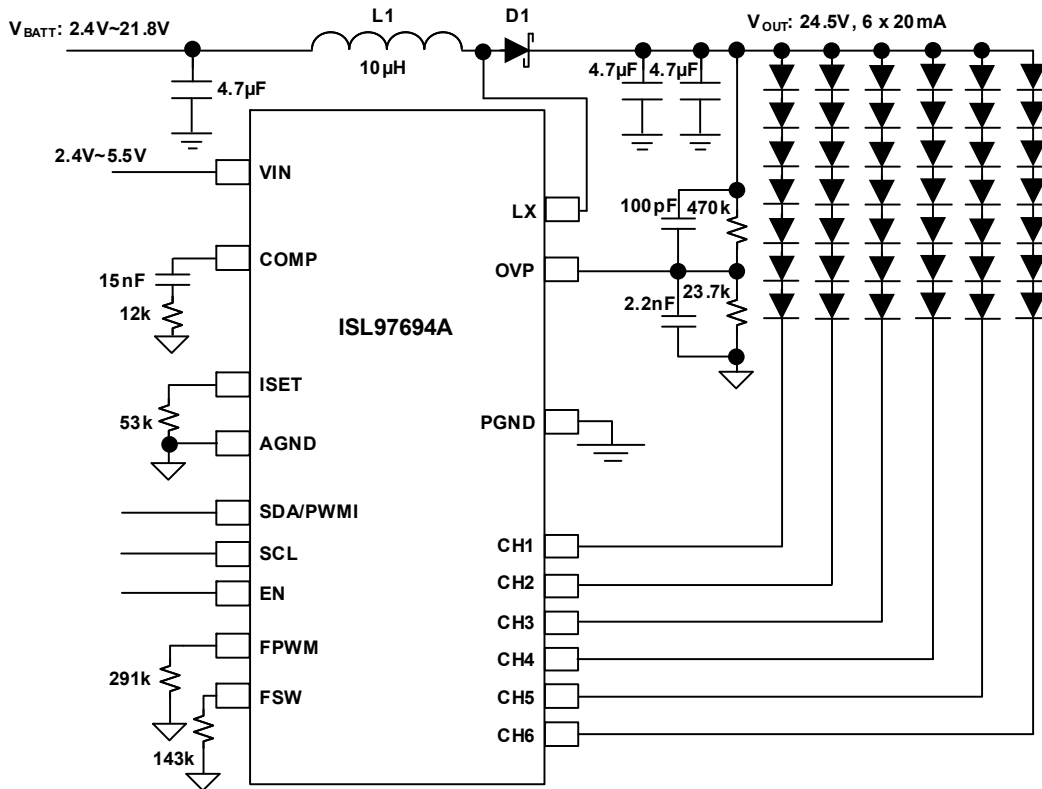


FIGURE 26. LED DRIVER OPERATION WITH INPUT VOLTAGE UP TO 26V

### SMBus/I<sup>2</sup>C Communications

The ISL97694A is controlled by SMBus/I<sup>2</sup>C for PWM dimming, and powers up in the shutdown state. The ISL97694A is enabled when both the EN pin is high and the BL\_CTL bit in register 0x01 is programmed to 1.

### Write Byte

The Write Byte protocol is only three bytes long. The first byte starts with the slave address followed by the “command code,” which translates to the “register index” being written. The third byte contains the data byte that must be written into the register selected by the “command code”. A shaded label is used on cycles during which the slaved backlight controller “owns” or “drives” the Data line. All other cycles are driven by the “host master.”

### Read Byte

As shown in Figure 30, the four byte long Read Byte protocol starts out with the slave address followed by the “command code”, which translates to the “register index.” Subsequently, the bus direction turns around with the rebroadcast of the slave address with bit 0 indicating a read (“R”) cycle. The fourth byte contains the data being returned by the backlight controller. That byte value in the data byte reflects the value of the register being queried at the “command code” index. Note the bus directions, which are highlighted by the shaded label that is used on cycles during which the slaved backlight controller “owns” or “drives” the Data line. All other cycles are driven by the “host master.”

### Slave Device Address

The slave address contains 7 MSB plus one LSB as R/W bit, but these 8 bits are usually called Slave Address bytes. As shown in Figure 27, the high nibble of the Slave Address byte is 0x5 or b’0101’ to denote the “backlight controller class”. Bit 0 is always the R/W bit, as specified by the SMBus/I<sup>2</sup>C protocol. If the device is in the write mode where bit 0 is 0, the slave address byte is 0x5A or b’01011010’. If the device is in the read mode where bit 0 is 1, the slave address byte is 0x5B or b’01011011’.

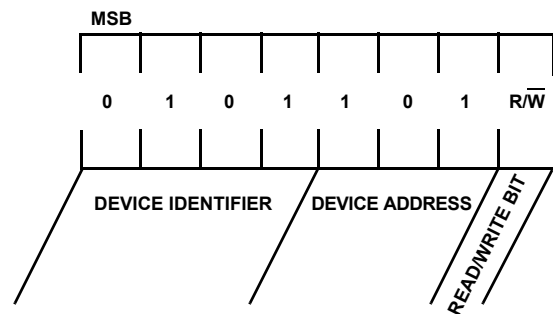
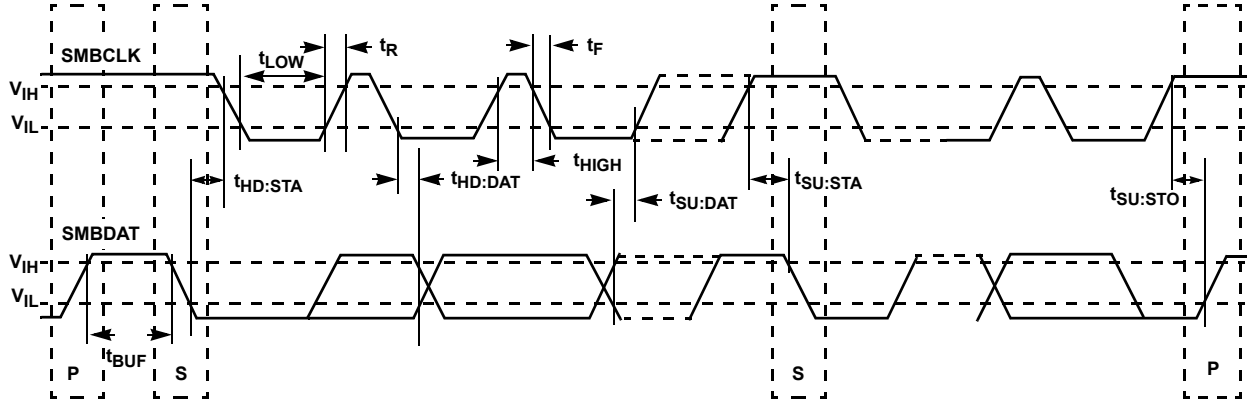


FIGURE 27. SLAVE ADDRESS BYTE DEFINITION

### SMBus/I<sup>2</sup>C Register Definitions

The backlight controller registers are Byte wide and accessible via the SMBus/I<sup>2</sup>C Read/Write Byte protocols. Their bit assignments are provided in Figures 29 and 30 with reserved bits containing a default value of "0".

When the ISL97694A is configured to 10-bit or 12-bit operation, write the PWM Brightness Control Register LSB (address 0x02) first. The subsequent write of PWM Brightness Control Register MSB (address 0x00) updates the contents of both registers to the PWM engine.



- NOTES:**  
**SMBus/I<sup>2</sup>C DESCRIPTION**  
 S = START CONDITION  
 P = STOP CONDITION  
 A = ACKNOWLEDGE  
 A = NOT ACKNOWLEDGE  
 R/W = READ ENABLE AT HIGH; WRITE ENABLE AT LOW

FIGURE 28. SMBUS/I<sup>2</sup>C INTERFACE for ISL97694A

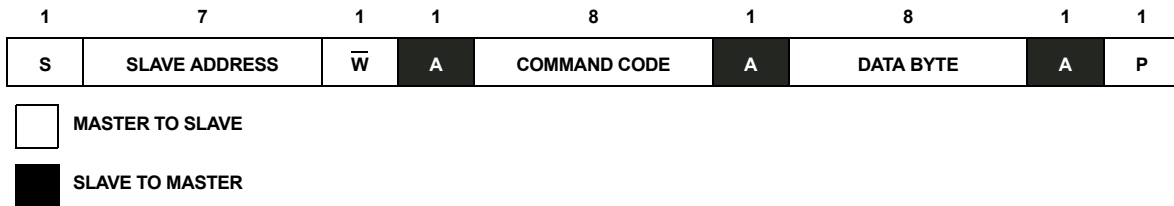


FIGURE 29. WRITE BYTE PROTOCOL for ISL97694A

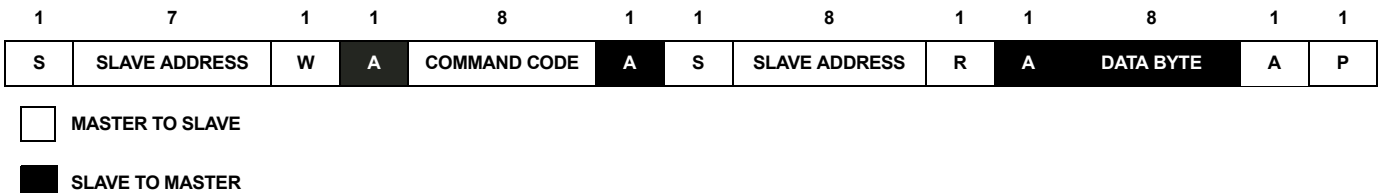


FIGURE 30. READ BYTE PROTOCOL for ISL97694A

TABLE 2. I<sup>2</sup>C REGISTER ALL LOCATIONS FOR ISL97694A

ADDRESS	REGISTER	BIT 7	BIT 6	BIT 5	BIT 4	BIT 3	BIT 2	BIT 1	BIT 0	DEFAULT VALUE	SMBUS/I <sup>2</sup> C PROTOCOL
0x00	PWM Brightness Control Register MSB	BRT11	BRT10	BRT9	BRT8	BRT7	BRT6	BRT5	BRT4	0xFF	Read and Write
0x01	Device Control Register	-	-	-	-	En12Bit	En10Bit	PS_EN	BL_CTL	0x00	Read and Write
0x02	PWM Brightness Control Register LSB	BRT3	BRT2	BRT1	BRT0	-	-	-	-	0xF0	Read and Write

TABLE 3. I<sup>2</sup>C REGISTER FUNCTIONS FOR ISL97694A

ADDRESS	REGISTER	DATA BIT DESCRIPTIONS
0x00	PWM Brightness Control Register MSB	BRT[11..4] = DPWM duty cycle brightness control In 8 bit PWM data mode, PWM data is BRT[11..4] In 10 bit PWM data mode, PWM data is BRT[11..2] In 12 bit PWM data mode, PWM data is BRT[11..0]
0x01	Device Control Register	PS_EN = Phase shift On/Off (1: Phase shift enabled, 0: Phase shift disabled) BL_CTL = Backlight On/Off (1: driver enabled if EN pin is high, 0 = driver shutdown) {En12Bit, En10Bit} = {0,0} to select 8 bit PWM data mode {En12Bit, En10Bit} = {0,1} to select 10 bit PWM data mode {En12Bit, En10Bit} = {1,0} to select 12 bit PWM data mode
0x02	PWM Brightness Control Register LSB	BRT[3..0] = DPWM duty cycle brightness control (10 and 12 bit PWM data modes only). Note: this data is saved, but the PWM engine is only updated with BRT[11..0] or BRT[11..2] when the PWM Brightness Control Register MSB 0x00 is written

## Component Selection

The design of the boost converter is simplified by an internal compensation scheme allowing easy design without complicated calculations. Please select your component values using the following recommendations.

### Input Capacitor

It is recommended that a 4.7µF to 10µF X5R/X7R or equivalent ceramic input capacitor is used.

### Overshoot Protection (OVP)

The integrated OVP circuit monitors the boost output voltage, V<sub>OUT</sub>, and keeps the voltage at a safe level. The OVP threshold is set as Equation 9:

$$V_{OVP(min)} = 1.22V \times \frac{R1 + R2}{R2} \quad (EQ. 9)$$

Where:

- 1.22V is the intended bandgap voltage by design
- V<sub>OVP</sub> is the maximum boost output voltage, V<sub>OUT</sub> (V)
- R1 is the resistor from OVP pin to the boost output (Ω)
- R2 is the resistor from OVP pin to GND (Ω).

The total R1 plus R2 series resistance should be high to minimize power loss through the resistor network.

For example, choosing R1 = 470kΩ and R2 = 23.7kΩ per the Typical Application Circuits on [page 3](#) and Block Diagrams on [page 5](#). Set V<sub>OVP(typ)</sub> to 25.41V (Equation 10).

$$V_{OVP(typ)} = 1.22V \times \frac{470 + 23.7}{23.7} = 25.41V \quad (EQ. 10)$$

The OVP threshold, R1, and R2 tolerances should also be taken into account (Equations 11 and 12).

$$V_{OVP(min)} = 1.18V \times \frac{R1_{min} + R2_{max}}{R2_{max}} \quad (EQ. 11)$$

$$V_{OVP(max)} = 1.24V \times \frac{R1_{max} + R2_{min}}{R2_{min}} \quad (EQ. 12)$$

Calculating V<sub>OVP</sub> using the OVP threshold range (1.18V to 1.24V) and 0.1% resistor tolerances gives an actual V<sub>OVP</sub> range of 24.53V to 25.88V for the 25.4V previous example (Equations 13 and 14).

$$V_{OVP(min)} = 1.18V \times \frac{(470 \times 0.999) + (23.7 \times 1.001)}{(23.7 \times 1.001)} = 24.53V \quad (EQ. 13)$$

$$V_{OVP(max)} = 1.24V \times \frac{(470 \times 1.001) + (23.7 \times 0.999)}{(23.7 \times 0.999)} = 25.88V \quad (EQ. 14)$$

It is recommended that parallel capacitors are placed across the OVP resistors such that R1/R2 = C2/C1. Using a C1 value of at least 30pF is recommended. These capacitors reduce the AC impedance of the OVP node, which reduces noise susceptibility when using high value resistors.

### Boost Output Voltage Range

The working range of the boost output voltage, V<sub>OUT</sub> is from 40% to 100% of the maximum output voltage, V<sub>OVP</sub>, set by resistors R1 and R2, as described in the previous section.

The target applications should be considered carefully to ensure that V<sub>OVP</sub> is not set unnecessarily high. For example, using R = 470kΩ and R2 = 23.7kΩ per the ["Typical Application Circuits" on page 3](#) sets V<sub>OVP</sub> to between 24.53V to 25.88V when tolerances are considered.

The minimum voltage,  $V_{OVP(min)} = 24.53V$ , sets the maximum number of LEDs per channel because this is the worst case minimum voltage that the boost converter is guaranteed to supply.

The maximum voltage,  $V_{OVP(max)} = 25.88V$ , sets the minimum number of LEDs per channel because it sets the lowest voltage that the boost converter is guaranteed to reach:  
 $40\% \times 25.88V = 10.35V$ .

Using LEDs with a  $V_F$  tolerance of 3V to 4V, this  $V_{OVP}$  example is suitable for strings of 4 to 6 LEDs. If fewer than 4 LEDs per channel are specified,  $V_{OVP}$  must be reduced.

### Switching Frequency

The boost switching frequency is adjusted by resistor  $R_{FSW}$  (Equation 15):

$$f_{SW} = \frac{(8.65 \times 10^{10})}{R_{FSW}} \quad (EQ. 15)$$

Where:

- $8.65 \times 10^{10}$  is determined by design
- $f_{SW}$  is the desirable boost switching frequency (Hz)
- $R_{FSW}$  is resistor from FSW pin to GND ( $\Omega$ )

### Inductor

Choose the inductance according to Table 4:

TABLE 4. INDUCTOR SELECTION

BOOST FREQUENCY	INDUCTANCE ( $\mu H$ )
400kHz to 700kHz	10 to 15
700kHz to 1MHz	6.8 to 10
1MHz to 1.5MHz	4.7 to 8.2
1.5MHz	3.3 to 4.7

The inductor saturation current rating should be as provided by Equation 16:

$$I_L = \frac{1.35 \times V_{OUT} \times I_{LED}}{V_{IN}} \quad (EQ. 16)$$

Where:

- $I_L$  is the minimum inductor saturation current rating (A)
- $V_{OUT}$  is the maximum output voltage set by OVP (V)
- $I_{LED}$  is the sum of the channel currents (A)
- $V_{IN}$  is the minimum input voltage (V)

If the calculation produces a current rating higher than the 3.08A maximum boost switch current limit, then a 3A inductor current rating is adequate.

For example, for a system using 4 LED channels with 30mA per channel and a maximum output voltage (OVP) of 24.53V with an input supply of 2.7V minimum as shown by Equation 17:

$$I_L = \frac{1.35 \times 24.53 \times (4 \times 0.03)}{2.7} = 1.47A \quad (EQ. 17)$$

### Output Capacitor

It is recommended that a two of 4.7 $\mu F$  X5R/X7R or equivalent ceramic output capacitor is used.

### Schottky Diode

The Schottky diode should be rated for at least the same forward current as the inductor, and for a reverse voltage equal to at least the maximum output voltage, OVP.

### Compensation

The ISL97692, ISL97693, ISL97694A are boost regulator uses a current mode control architecture with a standardized external compensation network connected to the COMP pin. The component values shown in the [“Typical Application Circuits” on page 3](#), are ideal for most typical applications. The network comprises a series RC of 12k $\Omega$  and 15nF from COMP to GND.

## Applications

### Unused LED Channels

Connect unused LED channels to GND.

### Dimming Mode Setting

TABLE 5. DIMMING MODE SETTING OF ISL97694A

DIMMING MODE	SCL	SDA /PWMI	FPWM
Direct PWM	GND	PWM	$V_{IN}$
Phase shift PWM	GND	PWM	Connect a resistor FPWM pin to GND
I <sup>2</sup> C Control	SCL	SDA	Connect a resistor FPWM pin to GND

### High Current Applications

Each channel of the ISL97692 supports 40mA continuous sink current. Each channel of the ISL97693, ISL97694A supports 30mA continuous sink current. For applications that need higher current, multiple channels can be ganged together (Tables 6 and 7).

TABLE 6. GANGED ISL97692 CHANNELS FOR HIGHER CURRENT

TOTAL CHANNELS	CHANNEL CURRENT	CHANNEL CONNECTIONS
4	40mA per channel	CH1, CH2, CH3, CH4
2	80mA per channel	{CH1 & CH2}, {CH3 & CH4}
1	160mA	{CH1 & CH2 & CH3 & CH4}

TABLE 7. GANGED ISL97693, ISL97694A CHANNELS FOR HIGHER CURRENT

TOTAL CHANNELS	CHANNEL CURRENT	CHANNEL CONNECTIONS
6	30mA per channel	CH1, CH2, CH3, CH4, CH5, CH6
3	60mA per channel	{CH1, CH2}, {CH3, CH4}, {CH5, CH6}
2	90mA per channel	{CH1, CH2, CH3}, {CH4, CH5, CH6}
1	180mA	{CH1, CH2, CH3, CH4, CH5, CH6}

Figure 31 shows CH1 and CH2 ganged for a high current application.

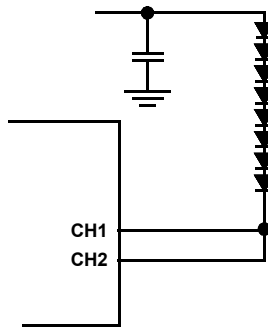


FIGURE 31.

## PCB Layout Considerations

### PCB Layout with TQFN and WLCSP Package

Figures 33 and 34 shows the example of the PCB layout of ISL97694A and ISL97692 WLCSP. This type of layout is particularly important for this type of product, resulting in high-current flow in the main loop's traces. Careful attention should be focused in the following layout details:

1. The typical application diagram (Figures 3, 4 and 5 on pages 3, and 4) the separation of PGND and AGND is essential, keeping the AGND referenced only local to the chip. This minimizes switching noise injection to the feedback sensing and analog areas, as well as eliminating DC errors from high-current flow in resistive PC board traces.
2. Boost input capacitors, output capacitors, inductor and Schottky diode should be placed together in a nice tight layout. Keeping the grounds of the input, and output connected with low impedance and wide metal is very important to keep these nodes closely coupled.
3. If possible, try to maintain central ground node on the board and use the input capacitors to avoid excessive input ripple for high output current supplies. The filtering capacitors should be placed close by the VIN pin.
4. Careful consideration should be taken with any traces carrying high di/dt pulsating signals. Traces carrying high di/dt pulsating signals should be kept as short and as tight as possible. The current loop generates a magnetic field which can couple to another conductor inducing unwanted voltage. Components should be placed such that current flows through them in a straight line as much as possible. This will help reduce size of loops and reduce the EMI from the PCB.
5. If trace lengths are long, the resistance of the trace increases and can cause some reduction in IC efficiency, and can also cause system instability. Traces carrying power should be made wide and short.
6. In discontinuous conduction mode, the direction of the current is interrupted every few cycles. This may result in large di/dt (transient load current). When injected in the ground plane the current may cause voltage drops, which can interfere with sensitive circuitry. The analog ground and power ground of the IC should be connected very close to the IC to mitigate this issue
7. For optimum load regulation and true  $V_{OUT}$  sensing, the OVP resistors should be connected independently to the top of the

output capacitors and away from the higher dv/dt traces. The OVP connection then needs to be as short as possible to the pin. The AGND connection of the lower OVP components is critical for good regulation.

8. The COMP network and the rest of the analog components (on ISET, FPWM, FSW, etc.) should be reference to AGND.
9. The heat of the chip is mainly dissipated through the exposed thermal pad so maximizing the copper area around is a good idea. A solid ground is always helpful for the thermal and EMI performance.
10. The inductor and input and output capacitors should be mounted as tight as possible, to reduce the audible noise and inductive ringing.
11. For WLCSP, the solder pad on the PCB should not be larger than the solder mask opening for the ball pad on the package. The optimal solder joint strength, it is recommended a 1:1 ratio for the two pads. Generally, vias should not be used to route high-current paths.
12. The amount of copper that should be poured (thickness) depends upon the power requirement of the system. Insufficient copper will increase resistance of the PCB, which will increase heat dissipation.
13. While designing the layout of switched controllers, do not use the auto routing function of the PCB layout software. The auto routing connects the nets with same electrical name and does not account for ideal trace lengths and positioning.

### General Power PAD Design Considerations

Figures 32 show an example of how to use vias to reduce the heat from the IC. For optimal thermal performance, use vias to distribute heat away from the IC and to a system power plane. Fill the thermal pad area with vias that are spaced 3x their radius (typically), center-to-center, from each other. The via diameters should be kept small, but they should be large enough to allow solder wicking during reflow. To optimize heat transfer efficiency, do not connect vias using "thermal relief" patterns. The vias should be directly connected to the plane with plated through-holes. Connect all vias to the correct voltage potential (power plane) indicated in the datasheet. For the ISL97692, ISL97693, ISL97694A, the thermal pad can be connected to ground (GND).

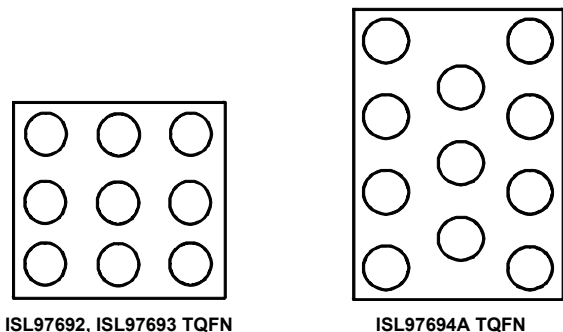
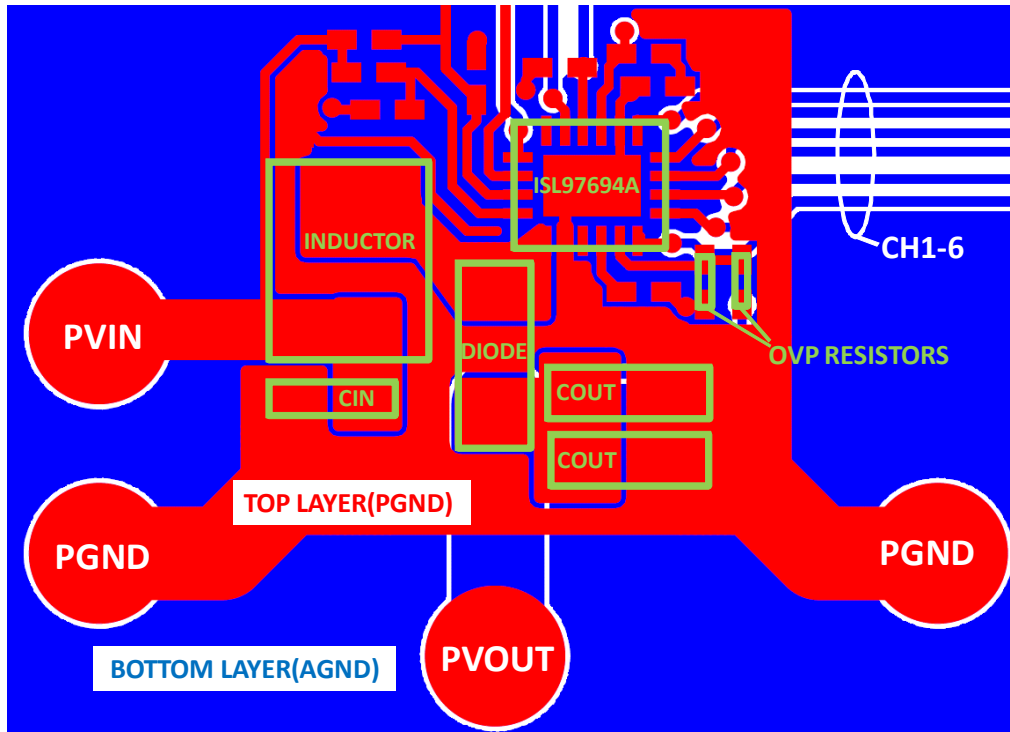


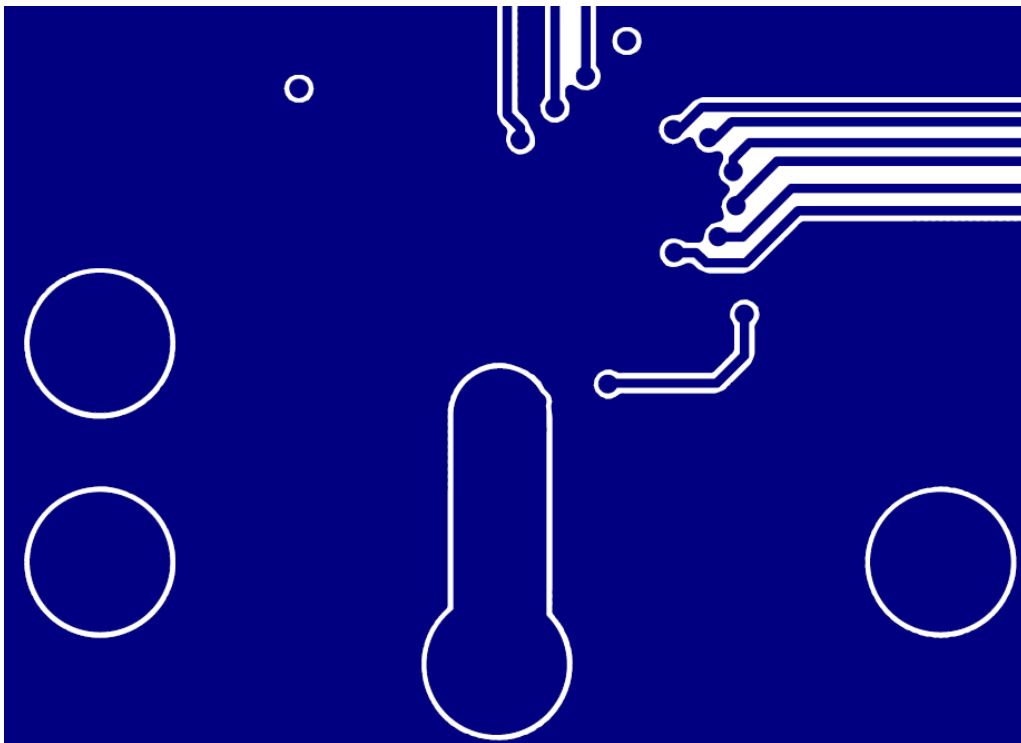
FIGURE 32. VIA PATTERN



## PCB Layout



TOP VIEW



BOTTOM VIEW

FIGURE 33. EXAMPLE OF PCB LAYOUT of ISL97694A



## PCB Layout (Continued)

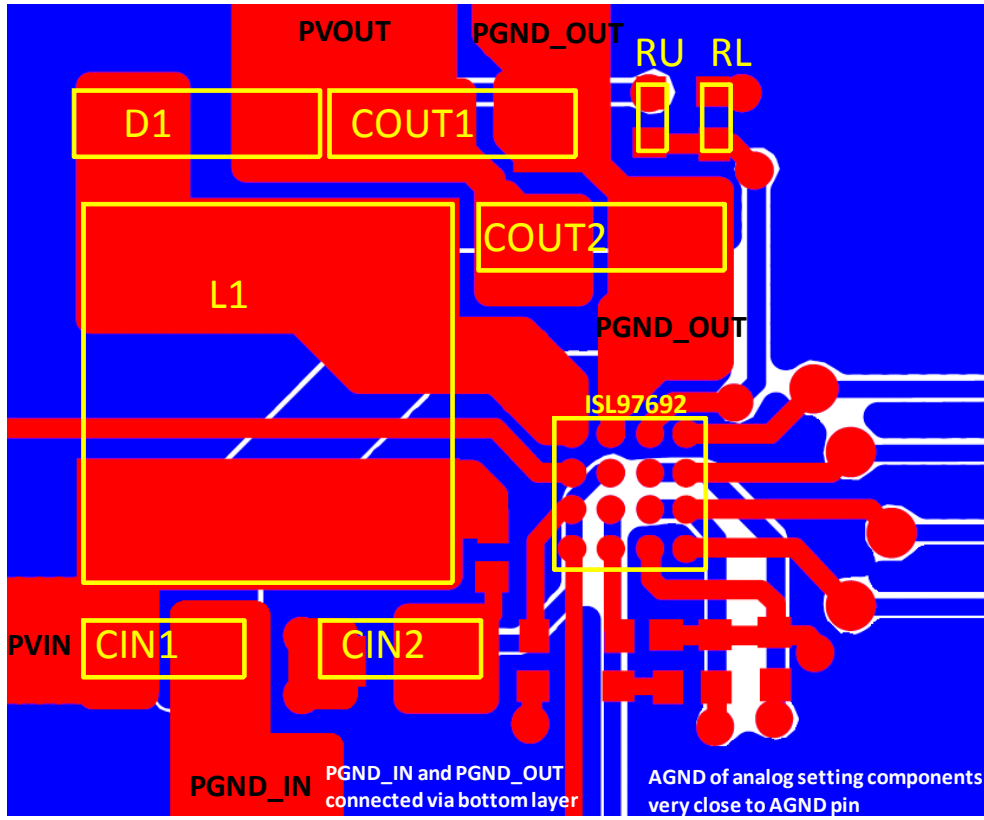


FIGURE 34. EXAMPLE OF PCB LAYOUT of ISL97692 WLCSP

## Fault Protection and Monitoring

The ISL97692, ISL97693, ISL97694A features extensive protection functions to handle failure conditions automatically. Refer to Figure 35 and Table 8 for details of the fault protections.

The LED failure mode is either open or short circuit. An open circuit failure of an LED only results in the loss of one channel of LEDs without affecting other channels. Similarly, a short circuit condition on a channel that results in that channel being turned off does not affect other channels.

Due to the lag in boost response to any load change at its output, certain transient events (such as LED current steps or significant step changes in LED duty cycle) can transiently look like LED fault modes. The ISL97692, ISL97693, ISL97694A use feedback from the LEDs to determine when it is in a stable operating region and prevents apparent faults during these transient events from allowing any of the LED stacks to fault out. See Table 8 for more details.

### Short Circuit Protection (SCP)

The short circuit detection circuit monitors the voltage on each channel and disables faulty channels, which are above the short circuit protection threshold, nominally 8V (the action taken is described in Table 8).

### Open Circuit Protection (OCP)

When one of the LEDs becomes open circuit, it can behave as either an infinite resistance or a gradually increasing finite resistance. The ISL97692, ISL97693, ISL97694A monitors the current in each channel such that any string, which reaches the intended output current is considered “good”. Should the current subsequently fall below the target, the channel will be considered an “open circuit”. Furthermore, should the boost output of the ISL97692, ISL97693, ISL97694A reaches the  $V_{OVP}$  limit, all channels which are not “good” will immediately be considered as “open circuit”.

Detection of an “open circuit” channel will result in a time-out before disabling of the affected channel.

## Overvoltage Protection (OVP)

The integrated OVP circuit monitors the boost output voltage,  $V_{OUT}$ , and keeps the voltage at a safe level. The OVP threshold is set as Equation 18:

$$OVP = 1.22V \times (R_{UPPER} + R_{LOWER}) / R_{LOWER} \quad (EQ. 18)$$

Where:

- 1.22V is the intended bandgap voltage by design
- $V_{OVP}$  is the maximum boost output voltage,  $V_{OUT}$  (V)
- $R_{UPPER}$  is resistor from OVP pin to the boost output ( $\Omega$ )
- $R_{LOWER}$  is resistor from OVP pin to GND ( $\Omega$ )

## Undervoltage Lockout

If the input voltage falls below the  $V_{UVLO}$  level of ~2V, the ISL97692, ISL97693, ISL97694A will stop switching and be reset. Operation will restart only if the  $V_{IN}$  is back in the normal operating range.

## Over-Temperature Protection (OTP)

The ISL97692, ISL97693, ISL97694A have an over-temperature protection threshold set to +150 °C. If this threshold is reached, the boost stops switching and the ISL97692, ISL97693, ISL97694A output current sinks are switched off. The ISL97692, ISL97693, ISL97694A can be restarted by toggling  $V_{IN}$  to below the  $V_{UVLO}$  level of ~2V, then back up to the normal input voltage level, or by power recycling  $V_{IN}$ .

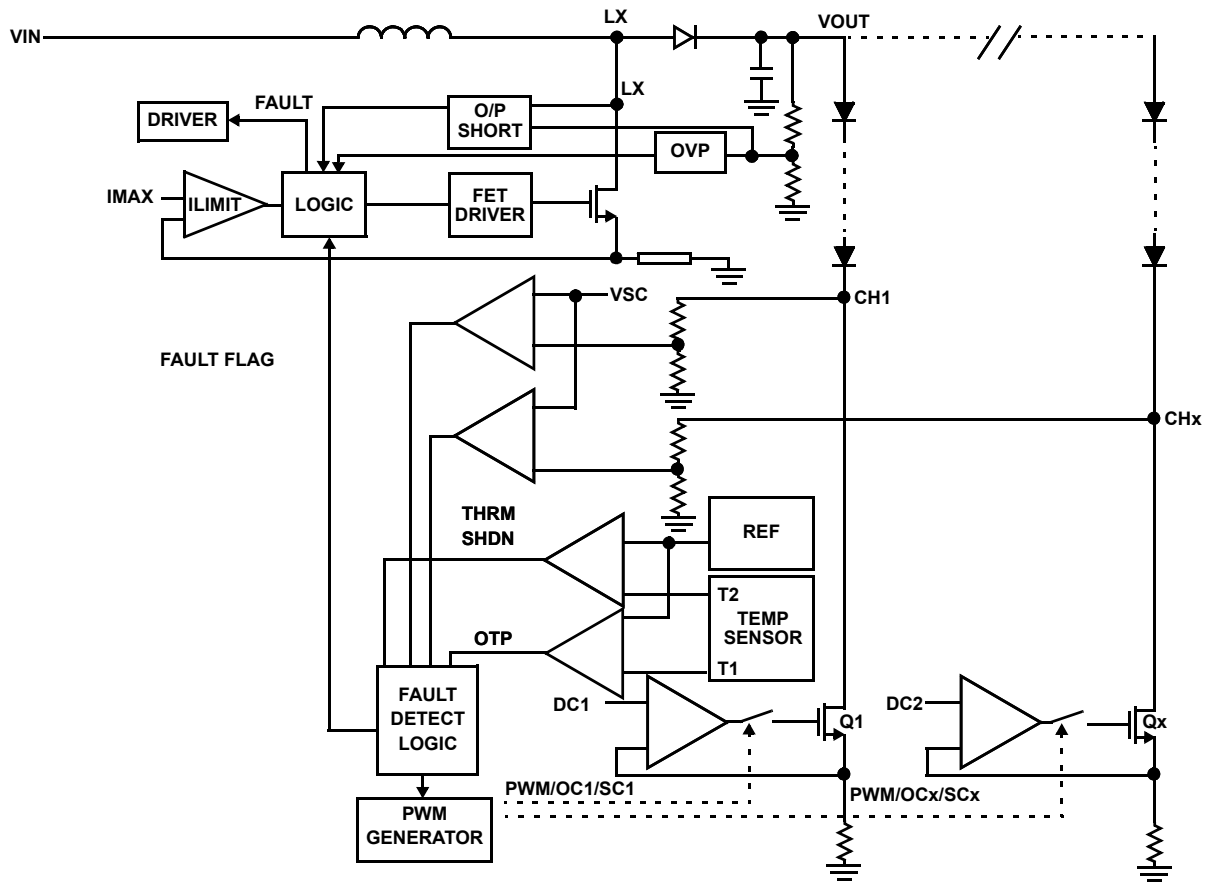


FIGURE 35. ISL97692, ISL97693, ISL97694A SIMPLIFIED FAULT PROTECTIONS

TABLE 8. ISL97692, ISL97693, ISL97694A PROTECTIONS TABLE

CASE	FAILURE MODE	DETECTION MODE	FAILED CHANNEL ACTION	OTHER CHANNELS ACTION	V <sub>OUT</sub> REGULATED BY
1	CH1 Short Circuit	Upper Over-Temperature Protection limit (OTP) not triggered and CH1 < 8V	CH1 ON and burns power.	Normal Operation	Highest LED string V <sub>F</sub> of other channels
2	CH1 Short Circuit	OTP triggered	Boost converter and channels are shut down until V <sub>IN</sub> is cycled		-
3	CH1 Short Circuit	OTP not triggered, CH1 > 8V	CH1 disabled after 6 PWM cycle time-out	Normal Operation	Highest LED string V <sub>F</sub> of other channels
4	CH1 Open Circuit with infinite resistance	OTP not triggered, CH1 < 8V	V <sub>OUT</sub> will ramp to OVP. CH1 will time-out after 6 PWM cycles and switch off. V <sub>OUT</sub> will then reduce to normal level	Normal Operation	Highest LED string V <sub>F</sub> of other channels
5	Output LED stack voltage too high	V <sub>OUT</sub> = V <sub>OVP</sub>	Any channel that is below the target current will time-out after 6 PWM cycles while V <sub>OUT</sub> is regulated at V <sub>OVP</sub> and V <sub>OUT</sub> will then return to the normal regulation voltage required for other channels		Highest LED string V <sub>F</sub> of channels above target current

## Revision History

The revision history provided is for informational purposes only and is believed to be accurate, but not warranted. Please go to the website to make sure that you have the latest revision.

DATE	REVISION	CHANGE
September 8, 2017	FN7839.6	Applied new header/footer. Updated Related Literature on page 1. Updated Ordering Information table and notes. Added V <sub>HEADROOM_RANGE</sub> spec to Electrical Specifications table. Added corresponding Note 14. In the Current Matching and Current Accuracy section - updated 2nd sentence in paragraph 2 for clarification. Updated About Intersil section.
May 1, 2014	FN7839.5	Electrical Spec table under "Boost FET Current Limit for CSP" on page 11: Changed the Min from 1.20 to 1.2A and Typ from 1.6 to 1.6A, removed the Max 2.0 value.
November 27, 2013		Electrical spec table on page 12 under F <sub>PWMI</sub> : Added 8-bit, 10-bit and 12-bit dimming resolution. Electrical spec table on page 12 under PWM <sub>ACC</sub> frequency output resolution: Added ISL97694A with frequency range 10-bit and 12-bit. Updated Equation 7 on page 17: From 58.1x10 <sup>6</sup> to R0 and added R0 for 10-bit and 12-bit of ISL97694A.
November 6, 2013		- Updated Equation 6 on page 16: From 350ns to 80ns and the effective resolution at 200Hz from 13.50 bits to 15.9 bits
October 28, 2013		Ordering information table on page 10: Changed part marking for Part number ISL97692IIZ-T from TBD to 7692. Electrical Spec Table on "BOOST SWITCHING REGULATOR" on page 11: Added "Boost FET Current Limit for CSP".
September 19, 2013		- Added ISL97692 WLCSP to pin description, pin configuration, package diagram. - Replaced "Operating Conditions" to "Recommended Operating Conditions" on page 11. - Added part number ISL97692IIZ-T and ISL97693IRT-EVZ to Ordering information on page 10. - Added Maximum Average Current into LX pin for WLCSP in Absolute Maximum Ratings on page 11. - Added Boost FET current limit for WLCSP on page 11. - Added LED max current for WLCSP on page 12. - Updated Equation 6 on page 16. - Thermal Information table on page 11: Added 16 Bump WLCSP to thermal resistance and thermal characterization sections. - PCB layout considerations updated on page 23. - Example of WLCSP PCB layout added in Figure 35 on page 26. - Added POD W4x4.16B "16 Ball Wafer Level Chip Scale Package (WLCSP)" to data sheet.
November 30, 2012	FN7839.4	Changed HBM from 2kV to 2.5kV.
September 7, 2012	FN7839.3	Changed CDM from 1kV to 2kV.
June 28, 2012	FN7839.2	- Modified title on page 1 - IVIN typ lowered to 0.8mA - tENLow typ removed - Added "Operation with Input Voltage Greater than 5.5V" on page 18. - Updated Figure 20 - Added Figure 26, "LED DRIVER OPERATION WITH INPUT VOLTAGE UP TO 26V," on page 19. - Removed "Coming Soon" from ISL97694A parts in "Ordering Information" on page 10.
May 25, 2012	FN7839.1	Corrected LX pin connection in Figures 1, 3, 4 and 5. Moved tie point in between L1 and D1. Changed Title in Figure 12 from "Accuracy vs WPM Dimming" to "Channel Matching Accuracy" Revised Figures 9 and 10.
April 16, 2012	FN7839.0	Initial release.

## About Intersil

Intersil Corporation is a leading provider of innovative power management and precision analog solutions. The company's products address some of the largest markets within the industrial and infrastructure, mobile computing, and high-end consumer markets.

For the most updated datasheet, application notes, related documentation, and related parts, see the respective product information page found at [www.intersil.com](http://www.intersil.com).

For a listing of definitions and abbreviations of common terms used in our documents, visit [www.intersil.com/glossary](http://www.intersil.com/glossary).

You can report errors or suggestions for improving this datasheet by visiting [www.intersil.com/ask](http://www.intersil.com/ask).

Reliability reports are also available from our website at [www.intersil.com/support](http://www.intersil.com/support).

© Copyright Intersil Americas LLC 2012-2017. All Rights Reserved.  
All trademarks and registered trademarks are the property of their respective owners.

For additional products, see [www.intersil.com/en/products.html](http://www.intersil.com/en/products.html)

---

Intersil products are manufactured, assembled and tested utilizing ISO9001 quality systems as noted in the quality certifications found at [www.intersil.com/en/support/qualandreliability.html](http://www.intersil.com/en/support/qualandreliability.html)

---

*Intersil products are sold by description only. Intersil may modify the circuit design and/or specifications of products at any time without notice, provided that such modification does not, in Intersil's sole judgment, affect the form, fit or function of the product. Accordingly, the reader is cautioned to verify that datasheets are current before placing orders. Information furnished by Intersil is believed to be accurate and reliable. However, no responsibility is assumed by Intersil or its subsidiaries for its use; nor for any infringements of patents or other rights of third parties which may result from its use. No license is granted by implication or otherwise under any patent or patent rights of Intersil or its subsidiaries.*

---

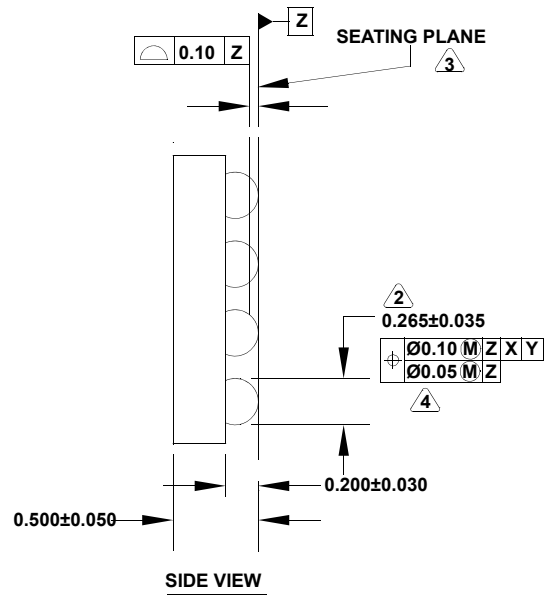
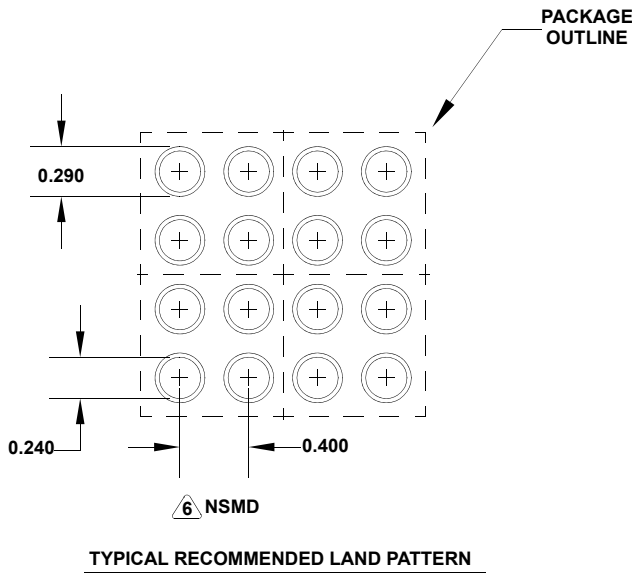
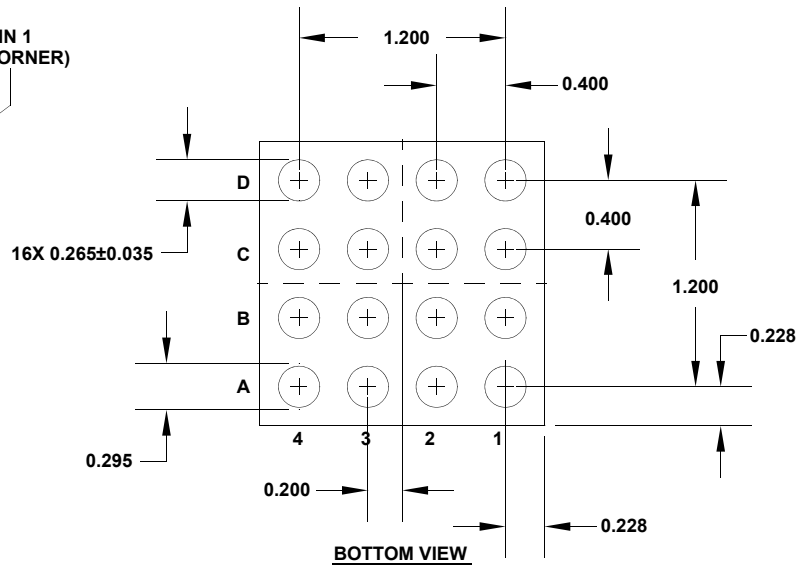
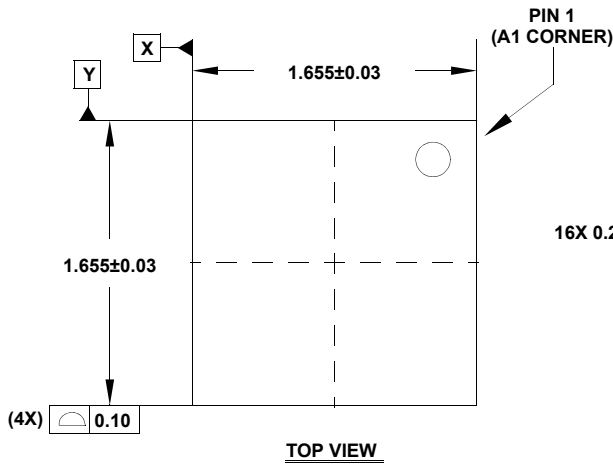
For information regarding Intersil Corporation and its products, see [www.intersil.com](http://www.intersil.com)

# Package Outline Drawing W4x4.16B

For the most recent package outline drawing, see [W4x4.16B](#).

4x4 ARRAY 16 BALL WAFER LEVEL CHIP SCALE PACKAGE (WLCSP)

Rev 2, 8/13



**NOTES:**

1. Dimensions and tolerance and tolerance per ASMEY 14.5 - 1994.
2. Dimension is measured at the maximum bump diameter parallel to primary datum Z.
3. Primary datum Z and seating plane are defined by the spherical crowns of the bump.
4. Bump position designation per JESD 95-1, SPP-010.
5. All dimensions are in millimeters.
6. NSMD refers to non-solder mask defined pad design per Intersil Techbrief [www.intersil.com/data/tb/tb451.pdf](http://www.intersil.com/data/tb/tb451.pdf)

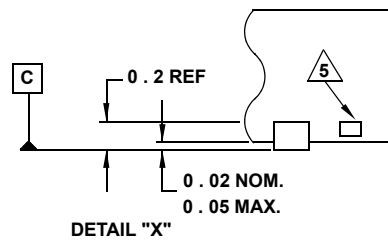
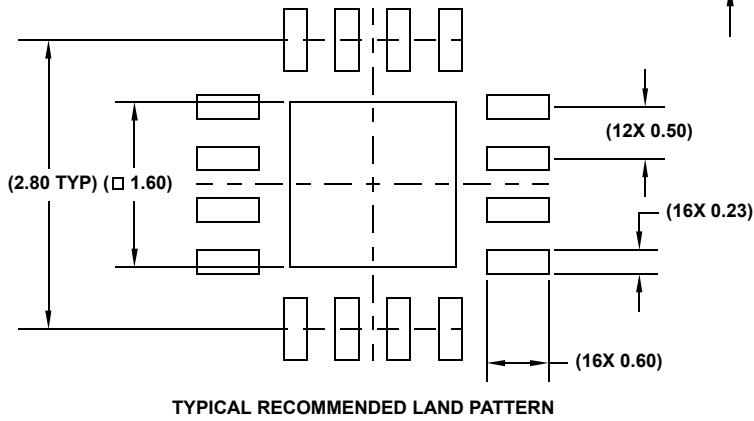
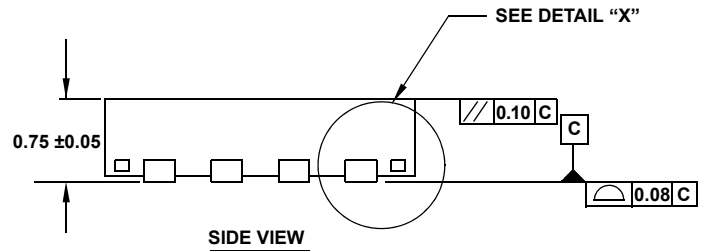
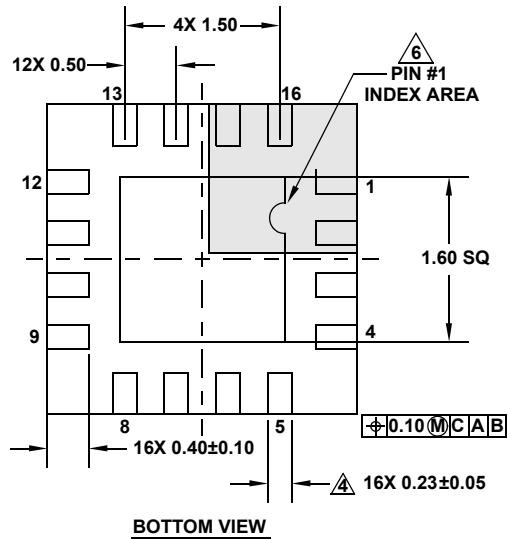
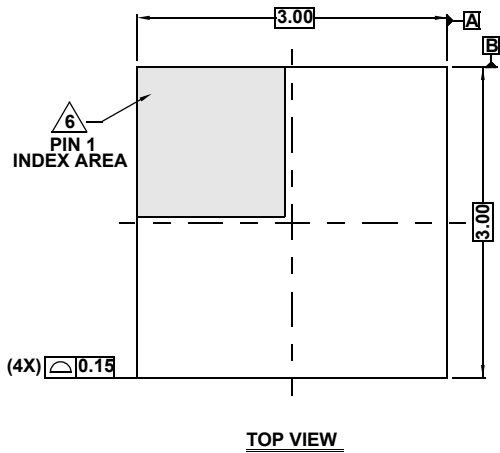
# Package Outline Drawing

For the most recent package outline drawing, see [L16.3x3D](#).

## L16.3x3D

16 LEAD THIN QUAD FLAT NO-LEAD PLASTIC PACKAGE

Rev 0, 3/10



**NOTES:**

1. Dimensions are in millimeters.  
Dimensions in ( ) for Reference Only.
2. Dimensioning and tolerancing conform to ASME Y14.5m-1994.
3. Unless otherwise specified, tolerance : Decimal ± 0.05
4. Dimension applies to the metallized terminal and is measured between 0.15mm and 0.25mm from the terminal tip.
5. Tiebar shown (if present) is a non-functional feature.
6. The configuration of the pin #1 identifier is optional, but must be located within the zone indicated. The pin #1 identifier may be either a mold or mark feature.
7. JEDEC reference drawing: MO-220 WEED.

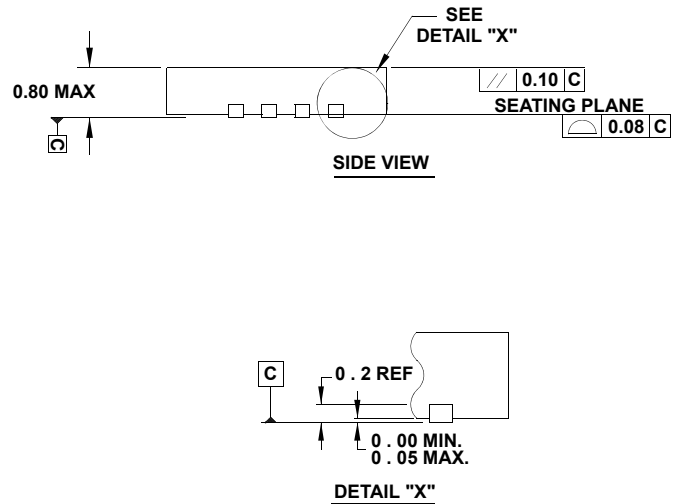
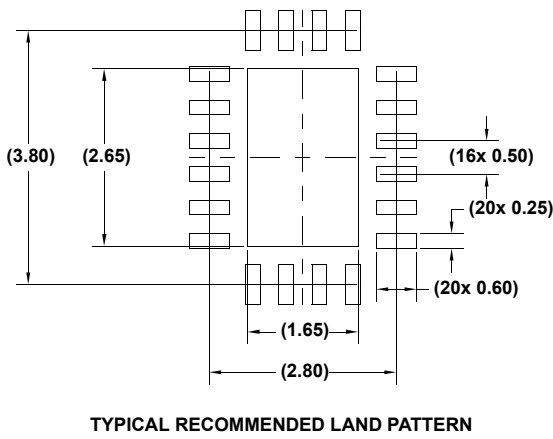
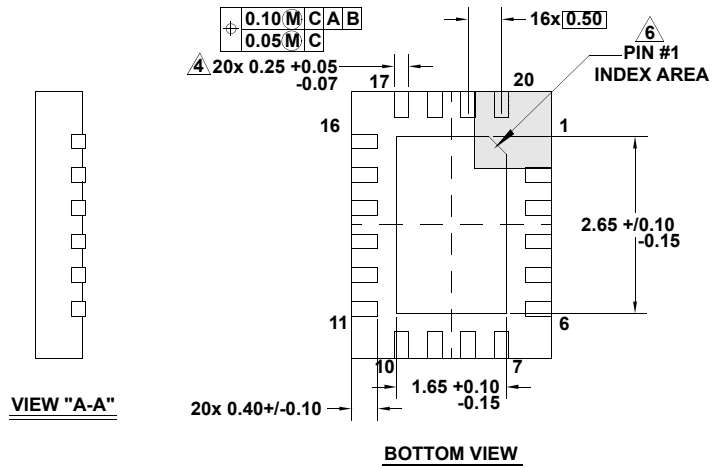
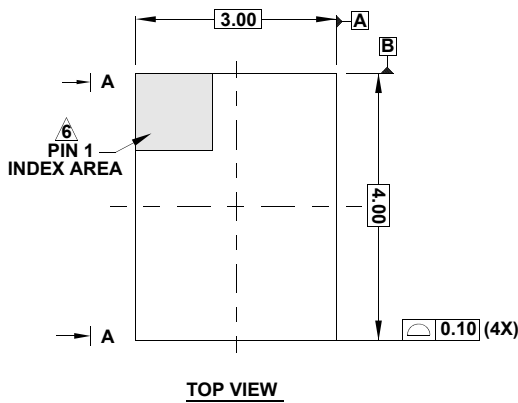
# Package Outline Drawing

For the most recent package outline drawing, see [L20.3x4A](#).

## L20.3x4A

20 LEAD THIN QUAD FLAT NO-LEAD PLASTIC PACKAGE

Rev 0, 6/10



**NOTES:**

1. Dimensions are in millimeters.  
Dimensions in ( ) for Reference Only.
2. Dimensioning and tolerancing conform to ASME Y14.5m-1994.
3. Unless otherwise specified, tolerance : Decimal  $\pm 0.05$
4. Dimension applies to the metallized terminal and is measured between 0.15mm and 0.30mm from the terminal tip.
5. Tiebar shown (if present) is a non-functional feature.
6. The configuration of the pin #1 identifier is optional, but must be located within the zone indicated. The pin #1 identifier may be either a mold or mark feature.
7. JEDEC reference drawing: MO-220VEGD-NJI.



## Данный компонент на территории Российской Федерации

### Вы можете приобрести в компании MosChip.

Для оперативного оформления запроса Вам необходимо перейти по данной ссылке:

<http://moschip.ru/get-element>

Вы можете разместить у нас заказ для любого Вашего проекта, будь то серийное производство или разработка единичного прибора.

В нашем ассортименте представлены ведущие мировые производители активных и пассивных электронных компонентов.

Нашей специализацией является поставка электронной компонентной базы двойного назначения, продукции таких производителей как XILINX, Intel (ex.ALTERA), Vicor, Microchip, Texas Instruments, Analog Devices, Mini-Circuits, Amphenol, Glenair.

Сотрудничество с глобальными дистрибьюторами электронных компонентов, предоставляет возможность заказывать и получать с международных складов практически любой перечень компонентов в оптимальные для Вас сроки.

На всех этапах разработки и производства наши партнеры могут получить квалифицированную поддержку опытных инженеров.

Система менеджмента качества компании отвечает требованиям в соответствии с ГОСТ Р ИСО 9001, ГОСТ РВ 0015-002 и ЭС РД 009

### Офис по работе с юридическими лицами:

105318, г.Москва, ул.Щербаковская д.3, офис 1107, 1118, ДЦ «Щербаковский»

Телефон: +7 495 668-12-70 (многоканальный)

Факс: +7 495 668-12-70 (доб.304)

E-mail: [info@moschip.ru](mailto:info@moschip.ru)

Skype отдела продаж:

moschip.ru

moschip.ru\_4

moschip.ru\_6

moschip.ru\_9