

1 Features and Benefits

- Programmable parameters in application:
 - Wide magnetic Latch range: $\pm 0.4\text{mT}$ to $\pm 80\text{mT}$
 - Wide magnetic Switch range: $\pm 1.5\text{mT}$ to $\pm 66\text{mT}$
 - Programmable Hysteresis: 1mT to 36mT
 - Programmable Active Pole: North or South
 - Programmable Output Behaviour: Direct or Inverted
 - Increased Traceability: 32 bits ID on chip
- Built-in Negative TC coefficient: 0 to $-2000\text{ ppm}/^\circ\text{C}$
- Wide operating voltage range: from 2.7V to 24V
- Reverse Supply Voltage Protection
- Output Current Limit with Auto-Shutoff
- Under-Voltage Lockout Protection
- Thermal Protection
- Lateral Sensitivity and dual die option

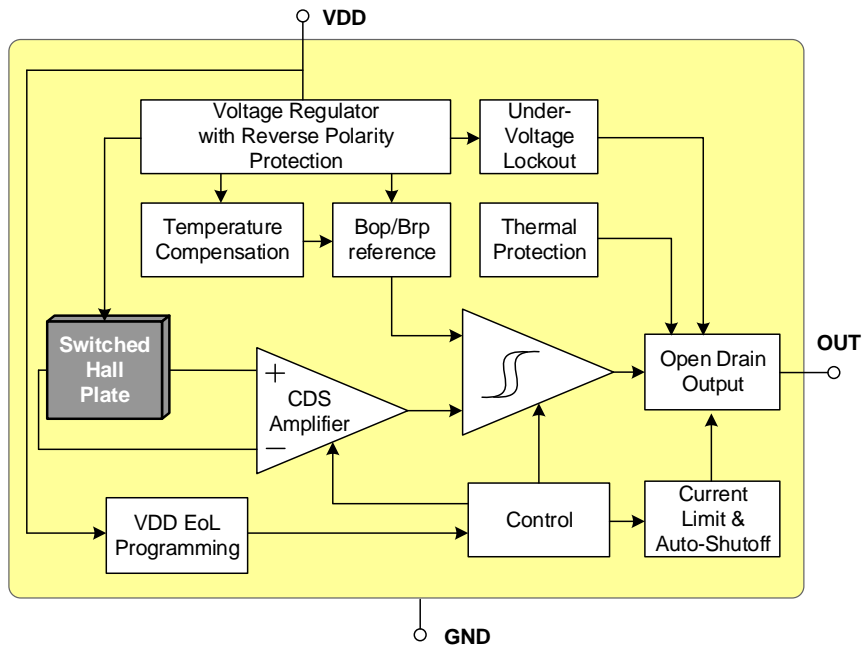
2 Application Examples

- Automotive, Consumer and Industrial
- Solid-state switch
- 3-phase BLDC motor commutation
- Wiper motor
- Window lifter
- Sunroof/Tailgate opener
- Seat motor adjuster
- Electrical power steering
- Brake Light switch

3 Ordering Information

Product Code	Temperature Code	Package Code	Comment
MLX92232LSE-AAA-000-RE	L (-40°C to 150°C)	SE (TSOT-3L)	3-wire Switch/Latch, TC=0 ppm/°C
MLX92232LUA-AAA-000-BU	L (-40°C to 150°C)	UA (TO92-3L)	3-wire Switch/Latch, TC=0 ppm/°C
MLX92232LVA-AAA-000-BU	L (-40°C to 150°C)	VA (SIP 4L)	Dual Die 3-wire Switch/Latch, TC=0 ppm/°C
MLX92232LSE-AAA-001-RE	L (-40°C to 150°C)	SE (TSOT-3L)	3-wire Switch/Latch, TC=-400 ppm/°C
MLX92232LUA-AAA-001-BU	L (-40°C to 150°C)	UA (TO92-3L)	3-wire Switch/Latch, TC=-400 ppm/°C
MLX92232LSE-AAA-002-RE	L (-40°C to 150°C)	SE (TSOT-3L)	3-wire Switch/Latch, TC=-1100 ppm/°C
MLX92232LUA-AAA-002-BU	L (-40°C to 150°C)	UA (TO92-3L)	3-wire Switch/Latch, TC=-1100 ppm/°C
MLX92232LSE-AAA-003-RE	L (-40°C to 150°C)	SE (TSOT-3L)	3-wire Switch/Latch, TC=-2000 ppm/°C
MLX92232LUA-AAA-003-BU	L (-40°C to 150°C)	UA (TO92-3L)	3-wire Switch/Latch, TC=-2000 ppm/°C
MLX92232LSE-AAA-200-RE	L (-40°C to 150°C)	SE (TSOT-3L)	3-wire Switch/Latch IMC version, TC=0 ppm/°C
MLX92232LUA-AAA-200-BU	L (-40°C to 150°C)	UA (TO92-3L)	3-wire Switch/Latch IMC version, TC=0 ppm/°C

4 Functional Diagram



5 General Description

The Melexis MLX92232 is the second generation programmable Hall-effect sensor designed in mixed signal CMOS technology. The device integrates a voltage regulator, Hall sensor with advanced offset cancellation system and an open-drain output driver, all in a single package.

With the built-in reverse voltage protection, a serial resistor or diode on the supply line is not required so that even remote sensors can be specified for low voltage operation down to 2.7V while being reverse voltage tolerant. In the event of a drop below the minimum supply voltage during operation, the under-voltage lock-out protection will automatically freeze the device, preventing the electrical perturbation to affect the magnetic measurement circuitry.

The open drain output is fully protected against short-circuit with a built-in current limit. An additional automatic output shut-off is activated in case of a prolonged short-circuit condition. A self-check is then periodically performed to switch back to normal operation if the short-circuit condition is released.

The on-chip thermal protection also switches off the output if the junction temperature increases above an abnormally high threshold. It will automatically recover once the temperature decreases below a safe value.

Furthermore the MLX92232 features a full set of programmable parameters that can be adjusted in the application in order to achieve the highest possible system accuracy by compensating the mechanical tolerances.

An Integrated Magnetic Concentrator option (IMC) has been added to sense the lateral field component. This is adding more flexibility in the module design. A dual die option is also available for applications that need a secondary output; these can be programmed independently from each other.

MLX92232

End of Line programmable 3-Wire Hall Effect Latch/Switch

Datasheet

Table of Contents

1	Features and Benefits.....	1
2	Application Examples.....	1
3	Ordering Information.....	1
4	Functional Diagram.....	2
5	General Description.....	2
6	Glossary of Terms.....	4
7	Absolute Maximum Ratings.....	4
8	General Electrical Specifications.....	5
9	Magnetic Specifications.....	6
10	Programming parameters.....	7
11	Magnetic Behaviour.....	9
11.1	Latch Sensor.....	9
11.2	Switch Sensor.....	10
12	Application Information.....	11
12.1	Typical Three-Wire Application Circuit.....	11
12.1.1	92232LSE-AAA-xxx, 92232LUA-AAA-xxx.....	11
12.1.2	92232LVA-AAA-xxx.....	11
12.2	Automotive and Harsh, Noisy Environments Three-Wire Circuit.....	12
12.2.1	92232LSE-AAA-xxx, 92232LUA-AAA-xxx.....	12
12.2.2	92232LVA-AAA-xxx.....	12
13	Standard information regarding manufacturability of Melexis products with different soldering processes...	13
14	ESD Precautions.....	13
15	Package Information.....	14
15.1	SE (TSOT-3L) Package Information.....	14
15.2	UA (TO92-3L) Package Information.....	15
15.3	VA (SIP 4L) Package Information.....	16
16	Contact.....	17
17	Disclaimer.....	17

MLX92232

End of Line programmable 3-Wire Hall Effect Latch/Switch

Datasheet

6 Glossary of Terms

Tesla	Units for the magnetic flux density, 1 mT = 10 Gauss
TC	Temperature Coefficient in ppm/°C
IMC	Integrated Magnetic Concentrator
POR	Power on Reset

7 Absolute Maximum Ratings

Exceeding the absolute maximum ratings may cause permanent damage. Exposure to absolute maximum rated conditions for extended periods may affect device reliability.

Parameter	Symbol	Value	Units
Supply Voltage ^(1, 2)	V _{DD}	+27	V
Supply Voltage (Load Dump) ^(1, 4)	V _{DD}	+32	V
Supply Current ^(1, 2, 3)	I _{DD}	+20	mA
Supply Current ^(1, 3, 4)	I _{DD}	+50	mA
Reverse Supply Voltage ^(1, 2)	V _{DDREV}	-24	V
Reverse Supply Voltage ^(1, 4)	V _{DDREV}	-30	V
Reverse Supply Current ^(1, 2, 5)	I _{DDREV}	-20	mA
Reverse Supply Current ^(1, 4, 5)	I _{DDREV}	-50	mA
Output Voltage ^(1, 2)	V _{OUT}	+27	V
Output Current ^(1, 2, 5)	I _{OUT}	+20	mA
Output Current ^(1, 4, 6)	I _{OUT}	+75	mA
Reverse Output Voltage ⁽¹⁾	V _{OUTREV}	-0.5	V
Reverse Output Current ^(1, 2)	I _{OUTREV}	-100	mA
Maximum Junction Temperature ⁽⁷⁾	T _J	+165	°C
Storage Temperature Range	T _S	-55 to +165	°C
ESD Sensitivity – HBM ⁽⁸⁾	-	4000	V
ESD Sensitivity – CDM ⁽⁹⁾	-	1000	V
Magnetic Flux Density	B	Unlimited	mT

Table 1: Absolute maximum ratings

¹ The maximum junction temperature should not be exceeded

² For maximum 1 hour

³ Including current through protection device

⁴ For maximum 500ms

⁵ Through protection device

⁶ For V_{OUT} ≤ 27V

⁷ For 1000 hours

⁸ Human Model according AEC-Q100-002 standard

⁹ Charged Device Model according AEC-Q100-011 standard

8 General Electrical Specifications

DC Operating Parameters $V_{DD} = 2.7V$ to $24V$, $T_A = -40^{\circ}C$ to $150^{\circ}C$ (unless otherwise specified)

Parameter	Symbol	Test Conditions	Min	Typ ⁽¹⁾	Max	Units
Supply Voltage	V_{DD}	Operating	2.7	-	24	V
Supply Current ⁽²⁾	I_{DD}		1.5	3.0	4.5	mA
Supply Current ⁽³⁾	I_{DD}		3.0	6.0	9.0	mA
Reverse supply current	I_{DDREV}	$V_{DD} = -16V$	-1	-	-	mA
Output Saturation Voltage	V_{DSON}	$V_{DD} = 3.5$ to $24V$, $I_{OUT} = 20mA$	-	0.3	0.5	V
Output Leakage	I_{OFF}	$V_{OUT} = 12V$, $V_{DD} = 12V$	-	-	10	μA
Output Rise Time ^(4,8) (R_{PU} dependent)	t_R	$R_{PU} = 1k\Omega$, $V_{DD} = 12V$, $V_{PU} = 5V$ $C_{LOAD} = 50pF$ to GND	0.1	0.3	1	μs
Output Fall Time ^(4,8) (On-chip controlled)	t_F	$R_{PU} = 1k\Omega$, $V_{DD} = 12V$, $V_{PU} = 5V$ $C_{LOAD} = 50pF$ to GND	0.1	0.3	1	μs
Power-On Time ^(5,6,9)	t_{ON}	$V_{DD} = 5V$, $dV_{DD}/dt > 2V/\mu s$	-	40	70	μs
Power-On Output State	-	$t < t_{ON}$		High (V_{PU})		-
Output Current Limit	I_{CL}	$V_{DD} = 3.5$ to $24V$, $V_{OUT} = 12V$	25	40	70	mA
Output ON Time under Current Limit conditions ⁽¹⁰⁾	t_{CLON}	$V_{PU} = 12V$, $R_{PU} = 100\Omega$	150	240		μs
Output OFF Time under Current Limit conditions ⁽¹⁰⁾	t_{CLOFF}	$V_{PU} = 12V$, $R_{PU} = 100\Omega$	-	3.5	-	ms
Chopping Frequency	f_{CHOP}		-	340	-	kHz
Refresh Period	t_{PER}		-	6	-	μs
Output Jitter (p-p) ⁽⁴⁾	t_{JITTER}	Over 1000 successive switching events @10kHz triangle wave magnetic field, $B > \pm(B_{OPMAX} + 20mT)$	-	± 3.2	-	μs
Maximum Switching Frequency ^(4,7)	f_{SW}	$B > \pm 3(B_{OPMAX} + 1mT)$, triangle wave magnetic field	30	65	-	kHz
Under-voltage Lockout Threshold	V_{UVL}		-	-	2.7	V
Under-voltage Lockout Reaction time ⁽⁴⁾	t_{UVL}		-	1	-	μs
Thermal Protection Threshold	T_{PROT}	Junction temperature	-	190 ⁽¹¹⁾	-	$^{\circ}C$
Thermal Protection Release	T_{REL}	Junction temperature	-	180 ⁽¹¹⁾	-	$^{\circ}C$
SE Package Thermal Resistance	R_{THJA}	Single layer PCB, JEDEC standard test boards		300		$^{\circ}C/W$
UA package Thermal Resistance	R_{THJA}	Single layer PCB, JEDEC standard test boards		200		$^{\circ}C/W$
VA package Thermal Resistance	R_{THJA}	Single layer PCB, JEDEC standard test boards		105		$^{\circ}C/W$

Table 2: General Electrical parameters

1 Typical values are defined at $T_A = +25^{\circ}C$ and $V_{DD} = 12V$

2 Valid for 92232LSE-AAA-xxx and 92232LUA-AAA-xxx versions

3 Valid for 92232LVA-AAA-xxx version

4 Guaranteed by design and verified by characterization, not production tested

5 The Power-On Time represents the time from reaching $V_{DD} = 2.7V$ to the first refresh of the output

6 Power-On Slew Rate is not critical for the proper device start-up.

7 Maximum switching frequency corresponds to the maximum frequency of the applied magnetic field which is detected without loss of pulses

8 R_{PU} and V_{PU} are respectively the external pull-up resistor and pull-up power supply

9 Activated output with 1 mT overdrive

10 If the Output is in Current Limitation longer than t_{CLON} the Output is switched off in high-impedance state. The Output returns back in active state at next reaching of B_{OP} or after t_{CLOFF} time interval

11 T_{PROT} and T_{REL} are the corresponding junction temperature values

9 Magnetic Specifications

DC Operating Parameters $V_{DD} = 2.7V$ to $24V$, $T_A = -40^{\circ}C$ to $150^{\circ}C$ (unless otherwise specified)

Parameter	Symbol	Test Conditions	Min	Typ ⁽¹⁾	Max	Units
Latch Threshold Programming Range ^(2, 3)	B_{LTH}	$V_{DD}=12V, T_A=25^{\circ}C$	± 0.4		± 80	mT
Switch Operating Point Programming Range ^(3, 4)	B_{OP}	$V_{DD}=12V, T_A=25^{\circ}C$	± 1.5		± 66	mT
Proportional Hysteresis Ratio Programming ^(5, 6)	HYS_{RATIO}	$V_{DD}=12V, T_A=25^{\circ}C$	0.1		0.55	-
Fixed Hysteresis Value 0 ^(7, 8)	B_{FHYS0}		-	0	-	mT
Fixed Hysteresis Value 1 ^(7, 8)	B_{FHYS1}		-	1	-	mT
Fixed Hysteresis Value 2 ^(7, 8)	B_{FHYS2}		-	1.2	-	mT
Fixed Hysteresis Value 3 ^(7, 8)	B_{FHYS3}		-	1.4	-	mT
Fixed Hysteresis Value 4 ^(7, 8)	B_{FHYS4}		-	1.8	-	mT
Fixed Hysteresis Value 5 ^(7, 8)	B_{FHYS5}		-	2.2	-	mT
Latch Sensor Magnetic Offset ⁽⁹⁾	B_{OFFSET}	$T_A=25^{\circ}C$	-0.5		0.5	mT
		$T_A=-40^{\circ}C$ to $150^{\circ}C$	-0.9		0.9	mT
Temperature Coefficient ⁽¹⁰⁾	TC	Latch with: No IMC: $B_{OP}/B_{RP} = \pm 28mT$ IMC: $B_{OP}/B_{RP} = \pm 12mT$		0 -400 -1100 -2000		ppm/ $^{\circ}C$
Factory Programmed B_{OP} , Switch ⁽¹¹⁾	B_{OP}	$V_{DD}=12V, T_A=25^{\circ}C$, target 28mT	26	28	30	mT
Factory Programmed B_{RP} , Switch ⁽¹¹⁾	B_{RP}	$V_{DD}=12V, T_A=25^{\circ}C$, target 28mT, $HYS_{RATIO}=0.25$	19	21	23	mT
Factory Programmed B_{OP} , Latch ⁽¹²⁾	B_{OP}	$V_{DD}=12V, T_A=25^{\circ}C$, target 12mT	10	12	14	mT
Factory Programmed B_{RP} , Latch ⁽¹²⁾	B_{RP}	$V_{DD}=12V, T_A=25^{\circ}C$, target -12mT	-14	-12	-10	mT

Table 3: Magnetic Specifications

1 The typical values are defined at $T_A = 25^{\circ}C$ and $V_{DD} = 12V$.

2 For Latch sensor $B_{LTH}=(B_{OP}-B_{RP})/2$. The Latch programming step is typically between 0.7% and 1.5% of the programmed B_{LTH} value for $|B_{LTH}| \geq 1.2mT$ and 0.018mT for $|B_{LTH}| \leq 1.2mT$.

3 Guaranteed by design and verified by characterization. The programming ranges for BLTH and BOP include some margin for process deviations.

4 For Switch sensor the B_{OP} programming step is typically between 0.7% and 1.5% of the programmed B_{OP} value for $|B_{OP}| \geq 4.8mT$ and 0.072mT for $|B_{OP}| \leq 4.8mT$.

5 For Switch sensor with proportional hysteresis $HYS_{RATIO}=B_{HYS}/B_{OP}$. The HYS_{RATIO} programming step is 0.05.

6 The given min/max limits are typical values.

7 For Switch sensor with fixed hysteresis value

8 Guaranteed by design and verified by characterization.

9 For Latch sensor offset is defined as $B_{OFFSET} = (B_{OP}+B_{RP})/2$.

10 The temperature Coefficient is calculated using following formula:

$$TC = \frac{B_{XPTA2} - B_{XPTA1}}{B_{XPT25} * (T_{A2} - T_{A1})} * 10^6, ppm/^{\circ}C$$

where:

$T_{A1} = -40^{\circ}C, T_{A2} = 150^{\circ}C, T_{25} = 25^{\circ}C$

In case of magnetic Latch application: B_{XPTA1}, B_{XPTA2} or $B_{XPT25} = B_{OP}-B_{RP}$ at T_{A1}, T_{A2} or T_{25}

In case of magnetic Switch application: B_{XPTA1}, B_{XPTA2} or $B_{XPT25} = B_{OP}$ or B_{RP} at T_{A1}, T_{A2} or T_{25}

11 Valid for 92232LSE-AAA-0xx, 92232LUA-AAA-0xx, 92232LVA-AAA-0xx versions

12 Valid for 92232LUA-AAA-2xx

MLX92232

End of Line programmable 3-Wire Hall Effect Latch/Switch

Datasheet

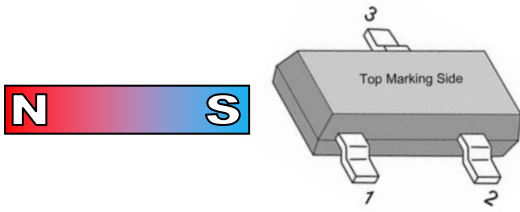
10 Programming parameters

Parameter	Symbol	Comments	Value	Units
B _{op} programming resolution	B _{OPFINE}	Fine programming of the threshold B _{op} (switch) and B _{LTH} (Latch)	7	Bit
B _{op} sub-range	B _{OPRANGE}	Selection of the appropriate switch sensor sub-range	2	Bit
B _{LTH} sub-range	B _{OPRANGE}	Selection of the appropriate latch sensor sub-range	3	Bit
Programming hysteresis	B _{HYST}	Hysteresis can be fixed or proportional	4	Bit
Active Pole selection	B _{POLE}	Part can be programmed for south or north magnetic pole active	1	Bit
Output polarity selection	POL _{OUT}	Selects direct or inverted output polarity	1	Bit
Switch/Latch function selection		Selects Latch or Switch sensor function	1	Bit
Melexis programmed ID	ID	A unique fixed ID implemented for device traceability, no overwriting allowed.	32	Bit

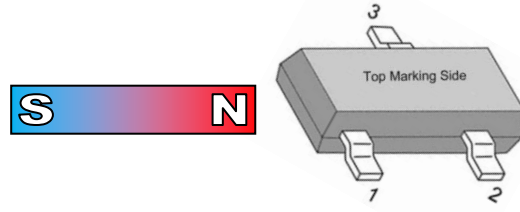
MLX92232

End of Line programmable 3-Wire Hall Effect Latch/Switch

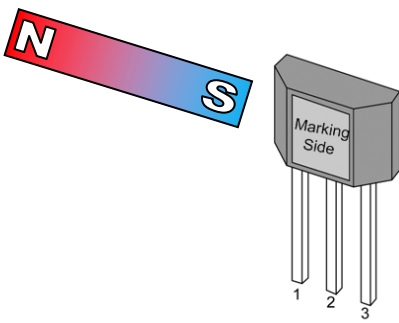
Datasheet



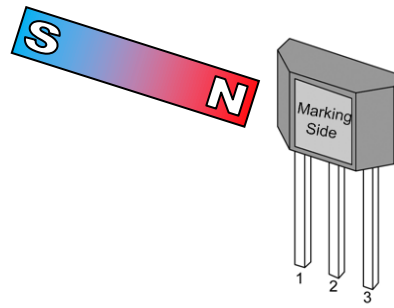
*X-axis Sensitive
South Active Pole*



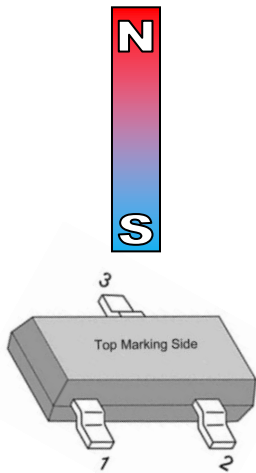
*X-axis Sensitive
North Active Pole*



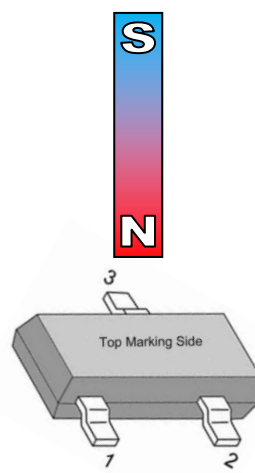
*X-axis Sensitive
South Active Pole*



*X-axis Sensitive
North Active Pole*



*Z-axis Sensitive
South Active Pole*

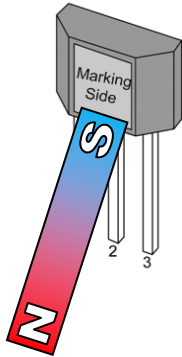


*Z-axis Sensitive
North Active Pole*

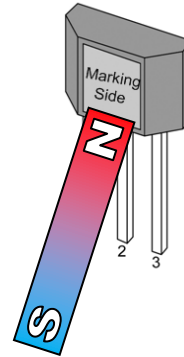
MLX92232

End of Line programmable 3-Wire Hall Effect Latch/Switch

Datasheet



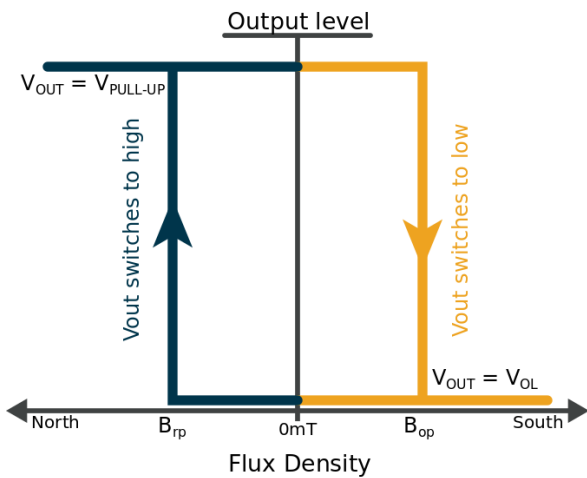
Z-axis Sensitive
South Active Pole



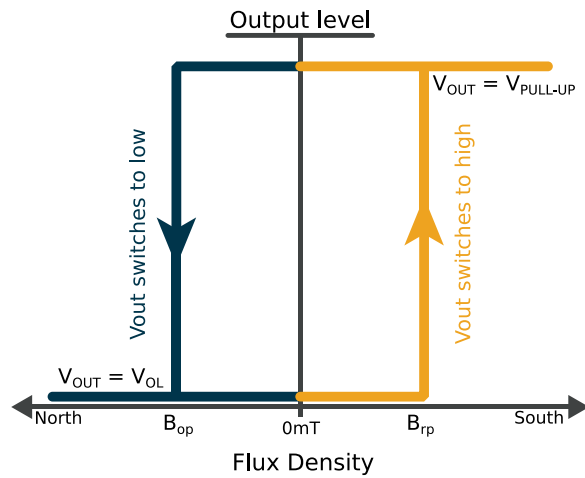
Z-axis Sensitive
North Active Pole

11 Magnetic Behaviour

11.1 Latch Sensor

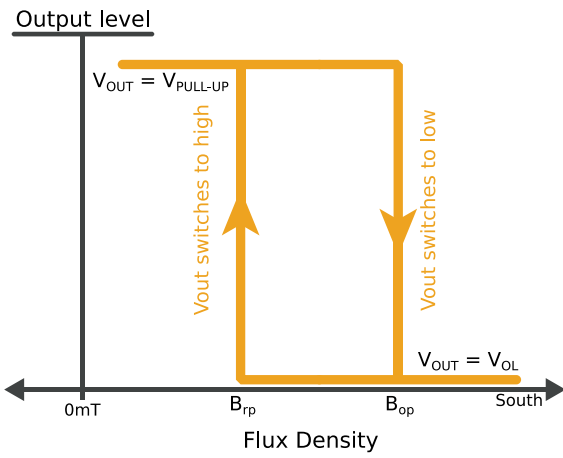


South Pole Active

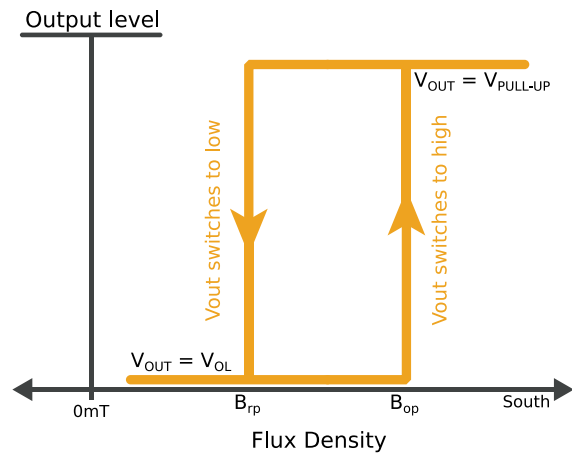


North Pole active

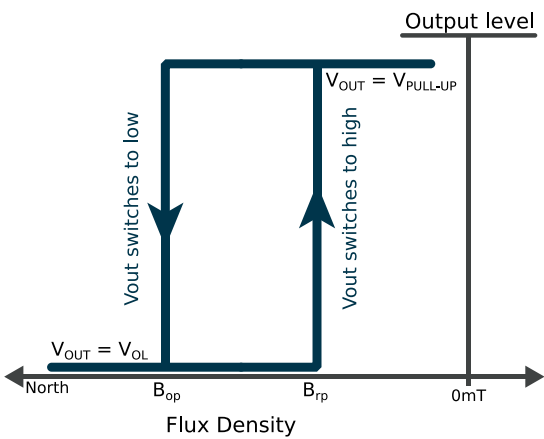
11.2 Switch Sensor



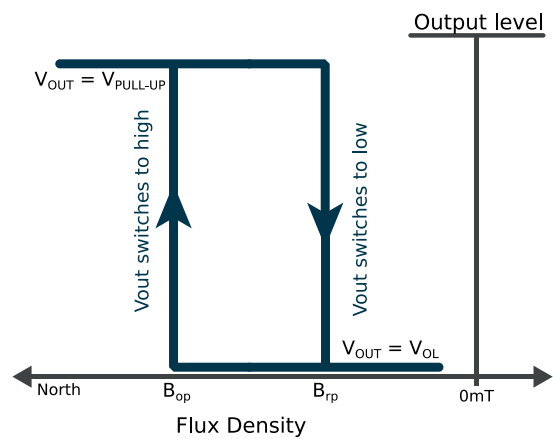
Direct South Active Pole



Inverted South Active Pole



Direct North Active Pole



Inverted North Active Pole

MLX92232

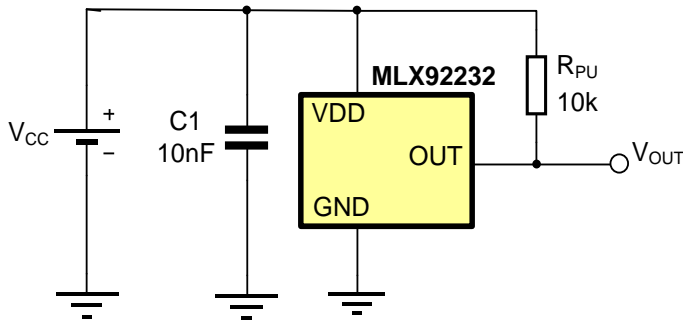
End of Line programmable 3-Wire Hall Effect Latch/Switch

Datasheet

12 Application Information

12.1 Typical Three-Wire Application Circuit

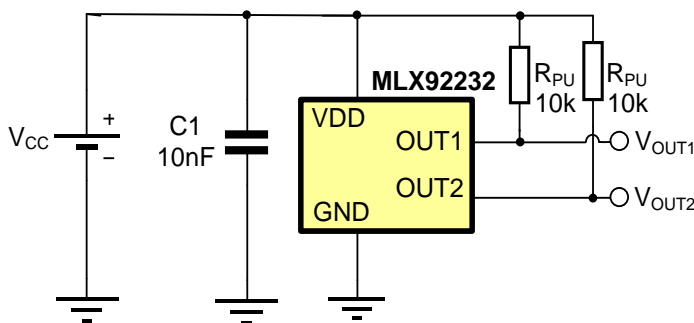
12.1.1 92232LSE-AAA-xxx, 92232LUA-AAA-xxx



Notes:

1. For proper operation, a 10nF to 100nF bypass capacitor should be placed as close as possible to the V_{DD} and ground pin.
2. The pull-up resistor R_{PU} value should be chosen in to limit the current through the output pin below the maximum allowed continuous current for the device.
3. A capacitor connected to the output is not needed, because the output slope is generated internally.

12.1.2 92232LVA-AAA-xxx

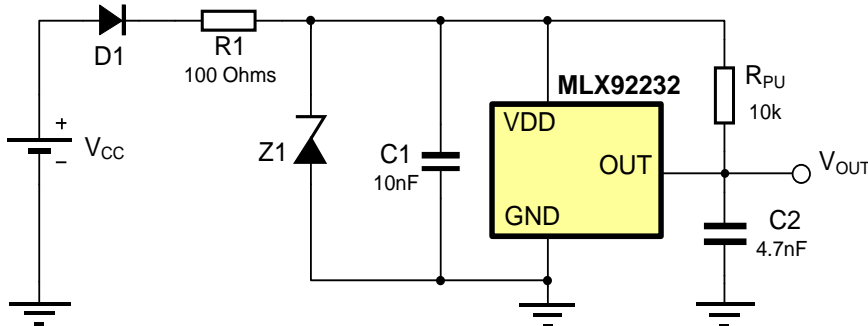


Notes:

1. For proper operation, a 10nF to 100nF bypass capacitor should be placed as close as possible to the V_{DD} and ground pin.
2. The pull-up resistors R_{PU} values should be chosen in to limit the current through the output pin below the maximum allowed continuous current for the device.
3. A capacitors connected to the outputs are not needed, because the output slope is generated internally.

12.2 Automotive and Harsh, Noisy Environments Three-Wire Circuit

12.2.1 92232LSE-AAA-xxx, 92232LUA-AAA-xxx



Notes:

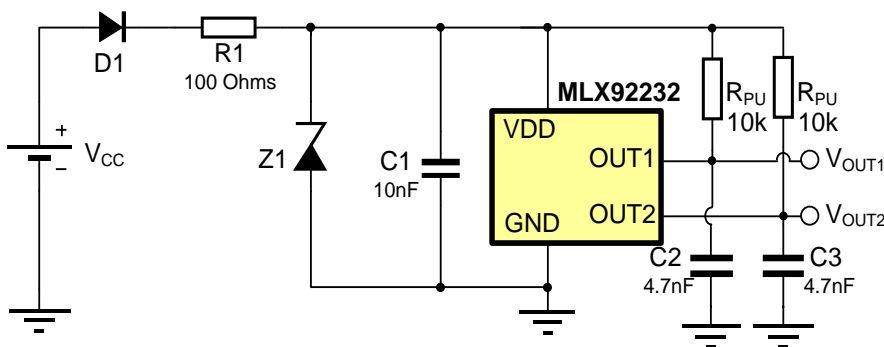
- For proper operation, a 10nF to 100nF bypass capacitor should be placed as close as possible to the V_{DD} and ground pin.
- The device could tolerate negative voltage down to -24V, so if negative transients over supply line V_{PEAK} < -30V are expected, usage of the diode D1 is recommended. Otherwise only R1 is sufficient.

When selecting the resistor R1, three points are important:

- the resistor has to limit I_{DD}/I_{DDREV} to 50mA maximum
- the resistor has to withstand the power dissipated in both over voltage conditions ($V_{R1}^2/R1$)
- the resulting device supply voltage V_{DD} has to be higher than V_{DD} min ($V_{DD} = V_{CC} - R1 \cdot I_{DD}$)

- The device could tolerate positive supply voltage up to +27V (until the maximum power dissipation is not exceeded), so if positive transients over supply line with V_{PEAK} > 32V are expected, usage a zener diode Z1 is recommended. The R1-Z1 network should be sized to limit the voltage over the device below the maximum allowed.

12.2.2 92232LVA-AAA-xxx



Notes:

- For proper operation, a 10nF to 100nF bypass capacitor should be placed as close as possible to the V_{DD} and ground pin.
- The device could tolerate negative voltage down to -24V, so if negative transients over supply line V_{PEAK} < -30V are expected, usage of the diode D1 is recommended. Otherwise only R1 is sufficient.

When selecting the resistor R1, three points are important:

- the resistor has to limit I_{DD}/I_{DDREV} to 50mA maximum
- the resistor has to withstand the power dissipated in both over voltage conditions ($V_{R1}^2/R1$)
- the resulting device supply voltage V_{DD} has to be higher than V_{DD} min ($V_{DD} = V_{CC} - R1 \cdot I_{DD}$)

- The device could tolerate positive supply voltage up to +27V (until the maximum power dissipation is not exceeded), so if positive transients over supply line with V_{PEAK} > 32V are expected, usage a zener diode Z1 is recommended. The R1-Z1 network should be sized to limit the voltage over the device below the maximum allowed.

13 Standard information regarding manufacturability of Melexis products with different soldering processes

Our products are classified and qualified regarding soldering technology, solderability and moisture sensitivity level according to following test methods:

Reflow Soldering SMD's (Surface Mount Devices)

- IPC/JEDEC J-STD-020
Moisture/Reflow Sensitivity Classification for Nonhermetic Solid State Surface Mount Devices (classification reflow profiles according to table 5-2)
- EIA/JEDEC JESD22-A113
Preconditioning of Nonhermetic Surface Mount Devices Prior to Reliability Testing (reflow profiles according to table 2)

Wave Soldering SMD's (Surface Mount Devices) and THD's (Through Hole Devices)

- EN60749-20
Resistance of plastic- encapsulated SMD's to combined effect of moisture and soldering heat
- EIA/JEDEC JESD22-B106 and EN60749-15
Resistance to soldering temperature for through-hole mounted devices

Iron Soldering THD's (Through Hole Devices)

- EN60749-15
Resistance to soldering temperature for through-hole mounted devices

Solderability SMD's (Surface Mount Devices) and THD's (Through Hole Devices)

- EIA/JEDEC JESD22-B102 and EN60749-21
Solderability

For all soldering technologies deviating from above mentioned standard conditions (regarding peak temperature, temperature gradient, temperature profile etc) additional classification and qualification tests have to be agreed upon with Melexis.

The application of Wave Soldering for SMD's is allowed only after consulting Melexis regarding assurance of adhesive strength between device and board.

Melexis is contributing to global environmental conservation by promoting **lead free** solutions. For more information on qualifications of **RoHS** compliant products (RoHS = European directive on the Restriction Of the use of certain Hazardous Substances) please visit the quality page on our website: <http://www.melexis.com/quality.aspx>

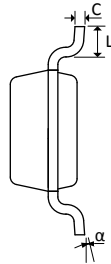
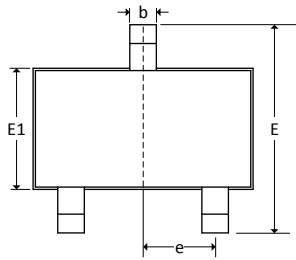
14 ESD Precautions

Electronic semiconductor products are sensitive to Electro Static Discharge (ESD).

Always observe Electro Static Discharge control procedures whenever handling semiconductor products.

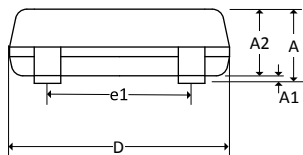
15 Package Information

15.1 SE (TSOT-3L) Package Information



Notes:

1. All dimensions are in millimeters
2. Outmost plastic extreme width does not include mold flash or protrusions. Mold flash and protrusions shall not exceed 0.15mm per side.
3. Outmost plastic extreme length does not include mold flash or protrusions. Mold flash and protrusions shall not exceed 0.25mm per side.
4. The lead width dimension does not include dambar protrusion. Allowable dambar protrusion shall be 0.07mm total in excess of the lead width dimension at maximum material condition.
5. Dimension is the length of terminal for soldering to a substrate.
6. Formed lead shall be planar with respect to one another with 0.076mm at seating plane.

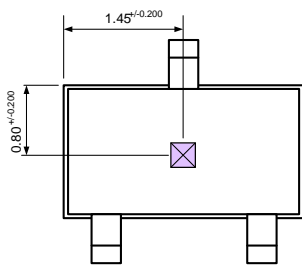


Marking:

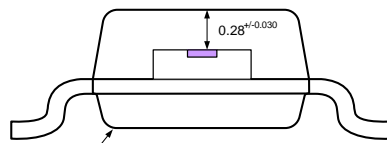
Top mark: 31ww ==> ww; assembly week

IMC version: 33ww ==> ww; assembly week

Bottom mark: YLLL ==> Y; last digit of year LLL= last 3 digits of lotnr



Hall plate location



Notes:

1. All dimensions are in millimeters
2. XY Hall plate position tolerances do not include the mold flashes and protrusions described in the package drawing

TOP VIEW

END VIEW

N	A	A1	A2	D	E	E1	L	b	c	e	e1	α	
3	min	—	0.025	0.85	2.80	2.60	1.50	0.30	0.30	0.10	0.95	1.90	0°
	max	1.00	0.10	0.90	3.00	3.00	1.70	0.45	0.20	BSC	BSC	8°	

Notes:

1. All dimensions are in mm.
2. Dimension “D” and “E1” do not include mold flash or protrusions. Mold flash or protrusion shall not exceed 0.15mm on “D” and 0.25mm on “E” per side.
3. Dimension “b” does not include dambar protrusion.

SE Pin №	Name	Type	Function
1	VDD	Supply	Supply Voltage pin
2	OUT	Output	Open Drain output
3	GND	Ground	Ground pin

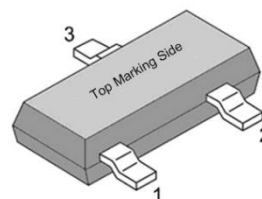


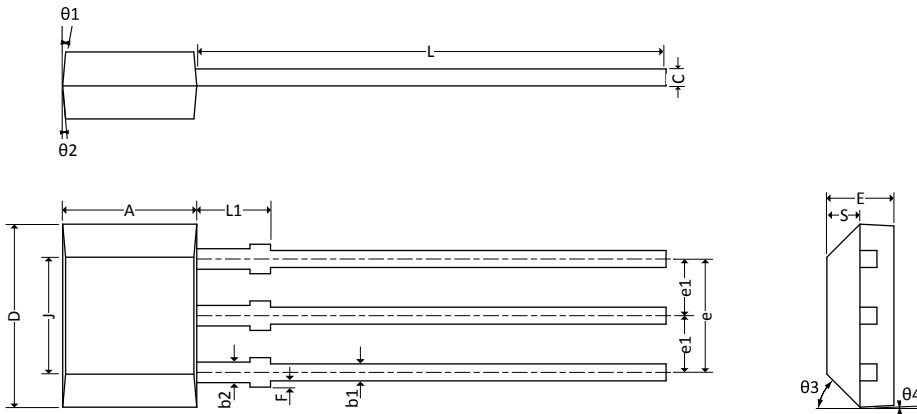
Table 4: SE Package pinout

MLX92232

End of Line programmable 3-Wire Hall Effect Latch/Switch

Datasheet

15.2 UA (TO92-3L) Package Information



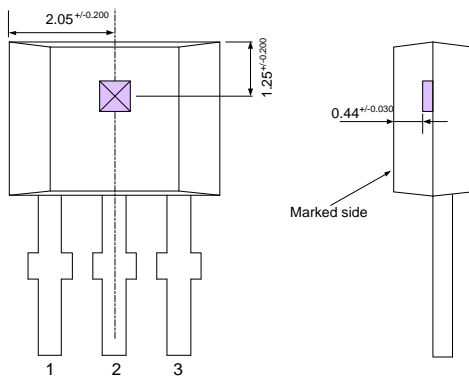
Notes:

1. All dimensions are in millimeters
2. Package dimension exclusive molding flash.
3. The end flash shall not exceed 0.127 mm on the top side.

Marking:

- 1st Line : 31WW → WW - calendar week
 2nd Line : YLLL → Y - last digit of year
 LLL - Lot nr (3 digits)

Hall plate location



Notes:

1. All dimensions are in millimeters

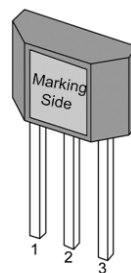
	A	D	E	F	J	L	L1	S	b1	b2	c	e	e1
min	2.80	3.90	1.40	0.00	2.51	14.0	0.90	0.63	0.35	0.43	0.35	2.51	1.24
max	3.20	4.30	1.60	0.20	2.72	15.0	1.10	0.84	0.44	0.52	0.44	2.57	1.30
	theta1	theta2	theta3	theta4									
min	7° REF	7° REF	45° REF	7° REF									
max													

Notes:

1. All dimensions are in mm.
2. Mold flashes and protrusion are not included.
3. Gate burrs shall not exceed 0.127mm on the top side.

UA Pin №	Name	Type	Function
1	VDD	Supply	Supply Voltage pin
2	GND	Ground	Ground pin
3	OUT	Output	Open Drain output

Table 5: UA Package pinout



MLX92232

End of Line programmable 3-Wire Hall Effect Latch/Switch

Datasheet

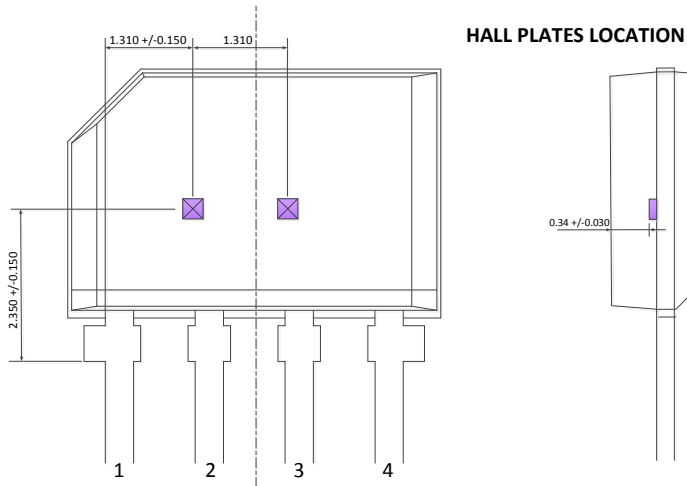
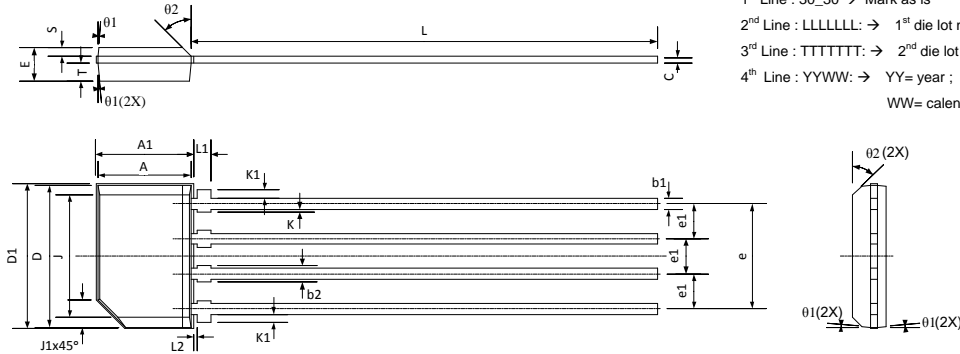
15.3 VA (SIP 4L) Package Information

Notes:

1. All dimensions are in millimeters
2. Package dimension exclusive molding flash.

Marking:

- 1st Line : 30_30 → Mark as is
- 2nd Line : LLLLLL → 1st die lot number
- 3rd Line : TTTTTT → 2nd die lot number
- 4th Line : YYWW → YY= year ; WW= calendar week number



	A	A1	D	D1	E	J	J1	K	K1	L	L1	S	T
min	3.30	3.63	5.08	5.33	1.10	4.10	1.00	0.00	0.25	17.5	—	0.24	0.61
max	3.46	3.79	5.24	5.43	1.20	4.50	REF	0.15	0.35	18.5	1.00	0.29	0.66

	b1	b2	c	e	e1	θ1	θ2
min	0.35	0.40	0.18	3.76	1.22	7° REF	45° REF
max	0.48	0.60	0.34	3.86	1.32		

Notes:

1. All dimensions are in mm
2. Dimension "A" and "D" do not include mold flash protrusions & gate burrs
3. Dimension "A1" does not include gate burrs, but includes mold flash and interlead flash.
4. Dimension "D1" includes mold flash at both ends.
5. Gate burrs shall not exceed 0.15mm measured from end of mold flash (flange).

VA Pin №	Name	Type	Function
1	OUT1	Output 1 st die	Open Drain output
2	VDD	Supply	Supply Voltage pin
3	GND	Ground	Ground pin
4	OUT2	Output 2 nd die	Open Drain output

16 Contact

For the latest version of this document, go to our website at www.melexis.com.

For additional information, please contact our Direct Sales team and get help for your specific needs:

Europe, Africa	Telephone: +32 13 67 04 95
	Email : sales_europe@melexis.com
Americas	Telephone: +1 603 223 2362
	Email : sales_usa@melexis.com
Asia	Email : sales_asia@melexis.com

17 Disclaimer

The information furnished by Melexis herein ("Information") is believed to be correct and accurate. Melexis disclaims (i) any and all liability in connection with or arising out of the furnishing, performance or use of the technical data or use of the product(s) as described herein ("Product") (ii) any and all liability, including without limitation, special, consequential or incidental damages, and (iii) any and all warranties, express, statutory, implied, or by description, including warranties of fitness for particular purpose, non-infringement and merchantability. No obligation or liability shall arise or flow out of Melexis' rendering of technical or other services.

The Information is provided "as is" and Melexis reserves the right to change the Information at any time and without notice. Therefore, before placing orders and/or prior to designing the Product into a system, users or any third party should obtain the latest version of the relevant information to verify that the information being relied upon is current.

Users or any third party must further determine the suitability of the Product for its application, including the level of reliability required and determine whether it is fit for a particular purpose.

The Information is proprietary and/or confidential information of Melexis and the use thereof or anything described by the Information does not grant, explicitly or implicitly, to any party any patent rights, licenses, or any other intellectual property rights.

This document as well as the Product(s) may be subject to export control regulations. Please be aware that export might require a prior authorization from competent authorities.

The Product(s) are intended for use in normal commercial applications. Unless otherwise agreed upon in writing, the Product(s) are not designed, authorized or warranted to be suitable in applications requiring extended temperature range and/or unusual environmental requirements. High reliability applications, such as medical life-support or life-sustaining equipment are specifically not recommended by Melexis.

The Product(s) may not be used for the following applications subject to export control regulations: the development, production, processing, operation, maintenance, storage, recognition or proliferation of 1) chemical, biological or nuclear weapons, or for the development, production, maintenance or storage of missiles for such weapons; 2) civil firearms, including spare parts or ammunition for such arms; 3) defense related products, or other material for military use or for law enforcement; 4) any applications that, alone or in combination with other goods, substances or organisms could cause serious harm to persons or goods and that can be used as a means of violence in an armed conflict or any similar violent situation.

The Products sold by Melexis are subject to the terms and conditions as specified in the Terms of Sale, which can be found at <https://www.melexis.com/en/legal/terms-and-conditions>.

This document supersedes and replaces all prior information regarding the Product(s) and/or previous versions of this document.

Melexis NV © - No part of this document may be reproduced without the prior written consent of Melexis. (2016)

ISO/TS 16949 and ISO14001 Certified

Данный компонент на территории Российской Федерации

Вы можете приобрести в компании MosChip.

Для оперативного оформления запроса Вам необходимо перейти по данной ссылке:

<http://moschip.ru/get-element>

Вы можете разместить у нас заказ для любого Вашего проекта, будь то серийное производство или разработка единичного прибора.

В нашем ассортименте представлены ведущие мировые производители активных и пассивных электронных компонентов.

Нашей специализацией является поставка электронной компонентной базы двойного назначения, продукции таких производителей как XILINX, Intel (ex.ALTERA), Vicor, Microchip, Texas Instruments, Analog Devices, Mini-Circuits, Amphenol, Glenair.

Сотрудничество с глобальными дистрибьюторами электронных компонентов, предоставляет возможность заказывать и получать с международных складов практически любой перечень компонентов в оптимальные для Вас сроки.

На всех этапах разработки и производства наши партнеры могут получить квалифицированную поддержку опытных инженеров.

Система менеджмента качества компании отвечает требованиям в соответствии с ГОСТ Р ИСО 9001, ГОСТ РВ 0015-002 и ЭС РД 009

Офис по работе с юридическими лицами:

105318, г.Москва, ул.Щербаковская д.3, офис 1107, 1118, ДЦ «Щербаковский»

Телефон: +7 495 668-12-70 (многоканальный)

Факс: +7 495 668-12-70 (доб.304)

E-mail: info@moschip.ru

Skype отдела продаж:

moschip.ru

moschip.ru_4

moschip.ru_6

moschip.ru_9