

## 24 x 48 Totalizers CTR24 model with orange backlighting Part number 87622082



- Display : 8-digit LCD, height 8 mm
- Powered by a lithium battery
- Counter inputs : solid state (4-30 VDC) or voltage (10 →260 VAC)
- Reset on panel or external with inhibition option
- Backlit model (2341-2351-2342)
- Counting directions can be selected with input (2241-2341/2251-2351)
- Accessories for 50 x 25 mm cut-out

### Part numbers

| Type     | Type                                 | Functions  |
|----------|--------------------------------------|--|
| 87622082 | CTR24 model with orange backlighting | 2351<br>Solid state input, lithium battery NPN/NPN |

### Specifications

#### Physical details and protection

|   |                                     |
|---|-------------------------------------|
| Consumption                                       | Backlighting : 24 VDC± 20 % 50 mA   |
| Connection by 8 screw terminals at rear of casing | •                                   |
| Connection capacity                               | 1,5 mm <sup>2</sup>                 |
| Fixed using bracket                               | •                                   |
| Degree of protection front face                   | IP 65                               |
| Temperature limits use (°C)                       | -10 →+60                            |
| Temperature limits stored (°C)                    | -20 →+70                            |
| Breakdown voltage                                 | EN 61010-1 : 2000 V / 50 Hz / 1 min |
| Conformity to standards                           | EN 61000-6-2 - EN 55011 class B     |
| Altitude  | 2000 m                              |
| Certifications                                    | UL - cULus (pending) - CE           |
| Weight (g)  | 50                                  |

#### Operating characteristics

|                    |  |
|--------------------|--|
| Function           | Impulse counter                                  |
| Display            | 8-digit LCD                                      |
| Height digits (mm) | 8  |
| Counting capacity  | -9,999,999 →99,999,999 with elimination of zeros |

#### Input 2241-2341

|  |                           |
|--|---------------------------|
| 1 slow counting input for contact closure on NPN open-collector transistor input (terminals 2-6) | •                         |
| 1 input for high speed counting signal from voltage level (terminals 1-6)                        | 4 →30 VDC                 |
| Low level  | 0 →0,7 VDC                |
| High level   | 4 →30 VDC PNP             |
| High-speed counting  | 12 K Hz max.<br>42 µs PNP |
| Input impedance  | 100 KΩ PNP                |

#### Input 2251-2351

|  |                          |
|--|--------------------------|
| 1 slow counting input for contact closure on NPN open-collector transistor input (terminals 2-6) | •                        |
| 1 input for high speed counting signal from voltage level (terminals 1-6)                        | 3 →30 VDC                |
| Low level  | 0 →0,7 VDC               |
| High level   | 3 →30 VDC                |
| High-speed counting  | 7 K Hz max.<br>70 µs NPN |
| Input impedance  | 1 MΩ                     |

#### Reset to zero - External 2241-2341 & 2251-2351

|   |   |
|---|---|
| Volt-free contact or open collector (terminals 3-6) | • |
|---|---|

#### Input 2242-2342

|  |                |
|--|----------------|
| 1 input for slow counting 2 voltage levels | •              |
| Voltage - Terminals 1-2                    | 10 →260 VAC/DC |
| Input impedance (kΩ)                       | 160            |
| Slow counting                              | 30 Hz          |
| Minimum pulse time                         | 16 ms          |
| Low level                                  | 0 →2 VAC/DC    |
| High level                                 | 10 →260 VAC/DC |

#### Reset to zero - External 2242-2342

|                         |       |
|-------------------------|-------|
| Voltage - Terminals 2-3 | •     |
| Minimum pulse time      | 16 ms |

|           |             |
|-----------|-------------|
| Low level | 0 →2 VAC/DC |
|-----------|-------------|

|            |                |
|------------|----------------|
| High level | 10 →260 VAC/DC |
|------------|----------------|

**Reset to zero - Panel**

|           |   |
|-----------|---|
| Reset via | Inhibited : Terminals 4-6 not connected<br>Active : Terminals 4-6 connected |
|-----------|---|

**Supply**

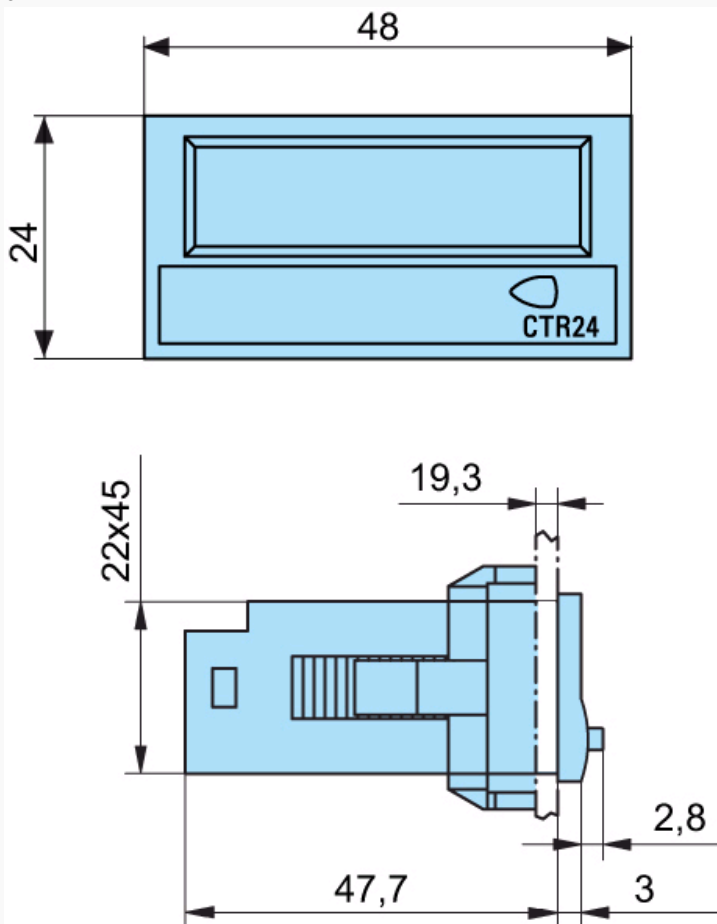
|                                  |   |
|----------------------------------|---|
| 1 lithium battery - Life (years) | 8 |
|----------------------------------|---|

**Accessories**

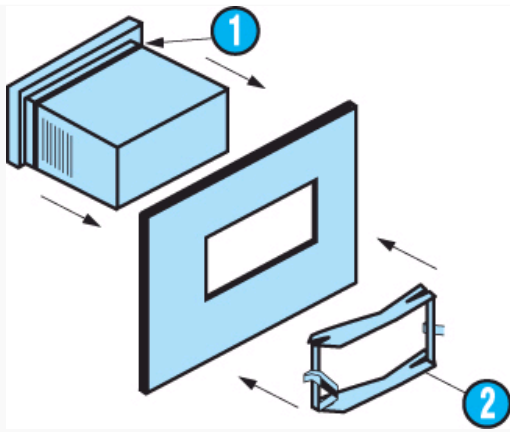
| Description  | Code     |
|--|----------|
| Adaptor for 50 x 25 mm cut-out - Fixed with screws | 26546843 |
| Adaptor for 50 x 25 mm cut-out - Fixed with clips  | 26546844 |
| DIN rail adaptor                                   | 26546840 |
| Clip-fixing kit (supplied with the product)        | 26546848 |

**Dimensions (mm)**

CTR24

**Dimensions (mm)**

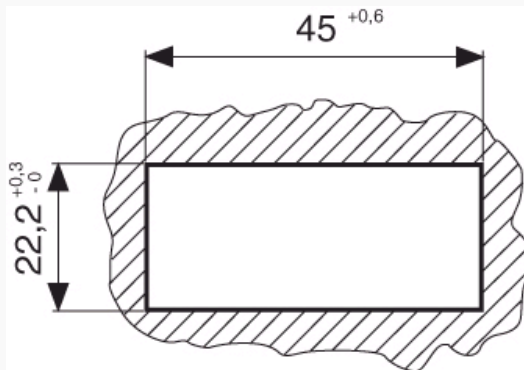
Fixing strip with clip-on yoke



| N° | Legend      |
|----|-------------|
| 1  | Seal        |
| 2  | Fixing yoke |

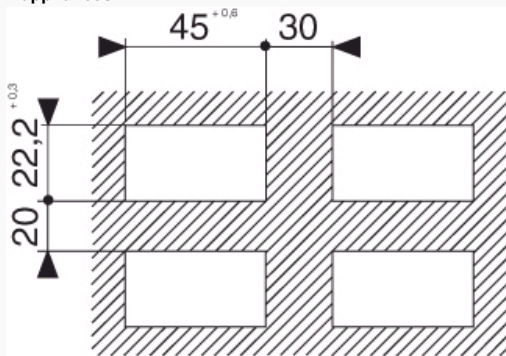
#### Dimensions (mm)

Panel cut-out



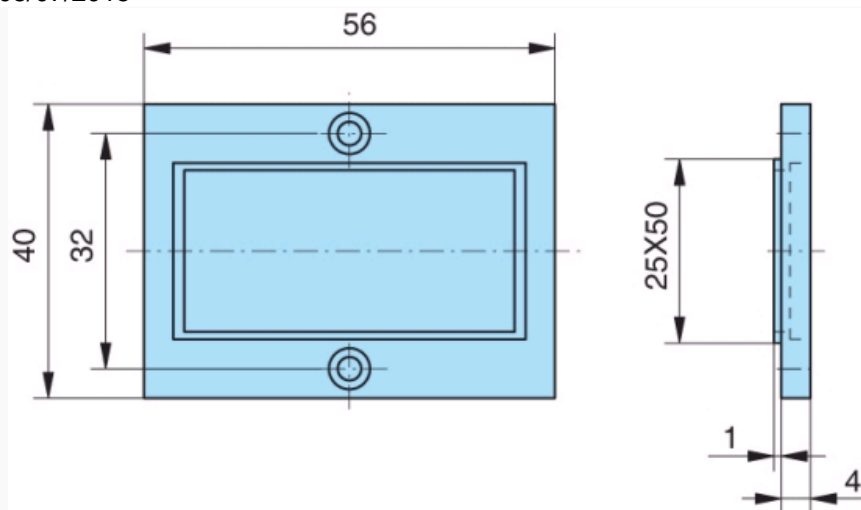
#### Dimensions (mm)

4 appliances

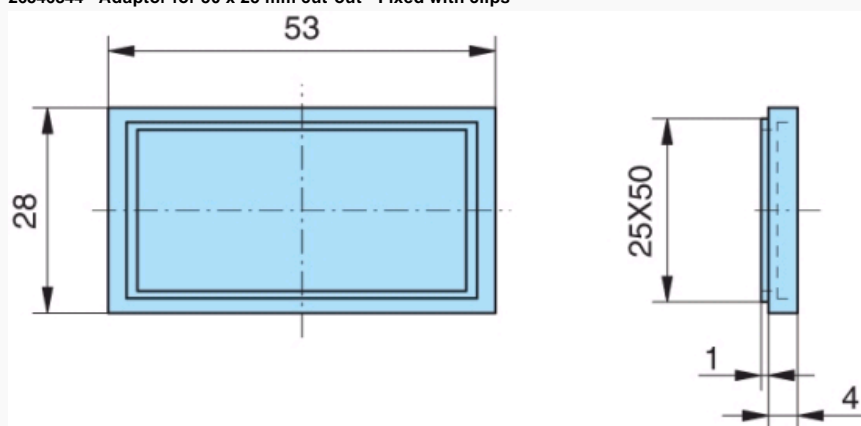


#### Dimensions (mm)

26546843 - Adaptor for 50 x 25 mm cut-out - Fixed with screws

**Dimensions (mm)**

26546844 - Adaptor for 50 x 25 mm cut-out - Fixed with clips



Accessory supplied with the counter

**Dimensions (mm)**

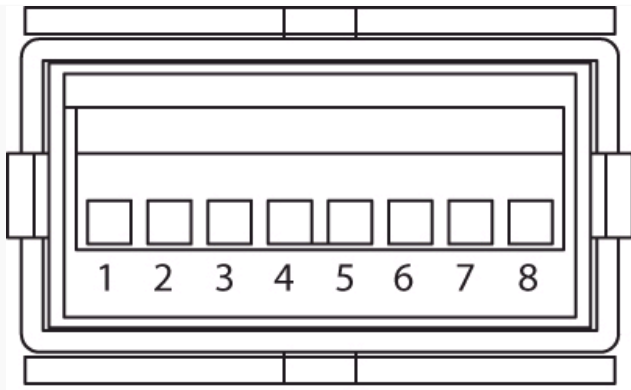
26546840 - DIN rail adaptor



Accessory supplied with the counter

**Connections**

2241-2341



| N° | Legend                            |
|----|-----------------------------------|
| 1  | Fast count                        |
| 2  | Slow count                        |
| 3  | Reset input 12 ms                 |
| 4  | Enable panel reset                |
| 5  | Mode 1 (Time selection)           |
| 6  | 0 V common/ (BL- only 23xx)       |
| 7  | Backlighting option + (only 2341) |
| 8  | Backlighting option + (only 2341) |

**Connections**

2241-2341



Fast count input PNP Transistor or 3-wire PNP proximity sensor (for leakage current detector ≤ 1 mA)

**Connections**

2241-2341



2-wire proximity sensor fast count input

**Connections**

2241-2341



2-wire proximity sensor fast count input

**Connections**

2241-2341



Slow count input (2) or reset input (3)

**Connections**

2241-2341



Slow count input (2) or reset input (3)

**Connections**

2241-2341



Slow count input (2) or reset input (3) - Contact not supplied with power

**Connections**

2241-2341



Slow count input (2) or reset input (3) - Contact not supplied with power

**Connections**

2251-2351

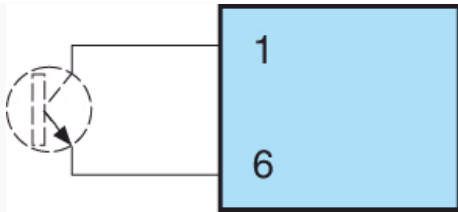


Slow count input (2) or reset input (3) - Contact not supplied with power

| N° | Legend                            |
|----|-----------------------------------|
| 1  | Fast count                        |
| 2  | Slow count                        |
| 3  | Reset input 12 ms                 |
| 4  | Enable panel reset                |
| 5  | Mode 1 (Time selection)           |
| 6  | 0 V common/ (BL- only 23xx)       |
| 7  | Backlighting option + (only 2351) |
| 8  | Backlighting option + (only 2351) |

**Connections**

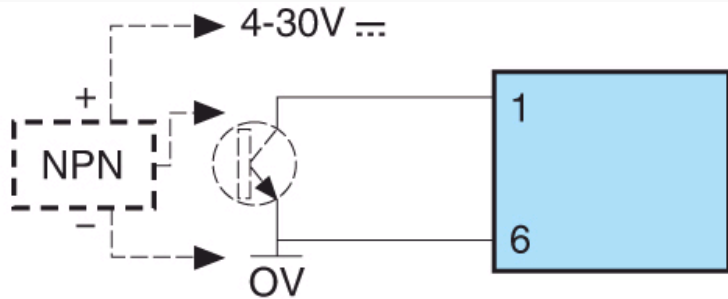
2251-2351



Fast count input NPN - Voltage

**Connections**

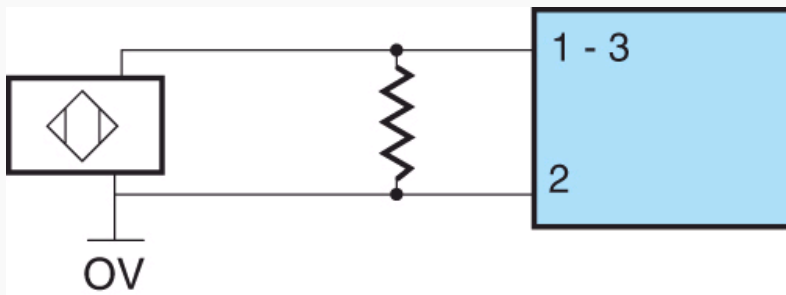
2251-2351



Fast count input NPN Transistor or 3-wire PNP proximity sensor (for leakage current detector  $\leq 1$  mA)

**Connections**

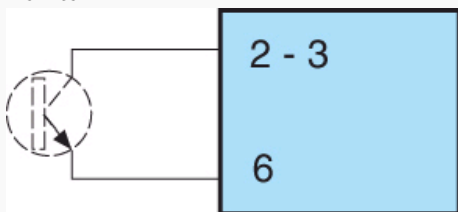
2251-2351



2-wire proximity sensor fast count input

**Connections**

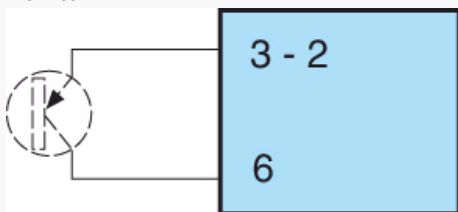
2251-2351



Slow count input (2) or reset input (3)

**Connections**

2251-2351

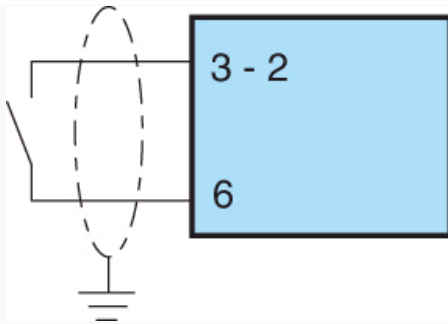


Slow count input (2) or reset input (3) - Contact not supplied with power

**Connections**

2251-2351

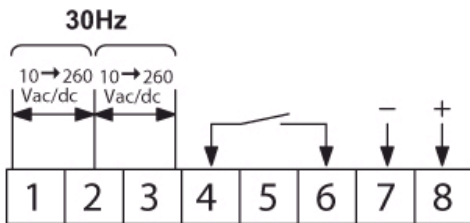
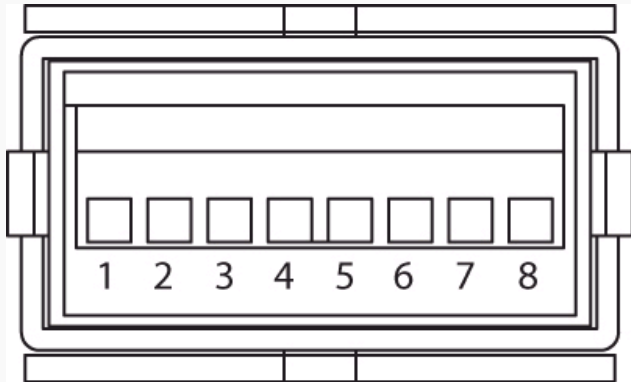




Slow count input (2) or reset input (3) - Contact not supplied with power

**Connections**

2242-2342



Slow count input (2) or reset input (3) - Contact not supplied with power

| N° | Legend                            |
|----|-----------------------------------|
| 1  | Fast count                        |
| 2  | AC/DC common                      |
| 3  | Reset input 12 ms                 |
| 4  | Enable panel reset                |
| 5  | NC                                |
| 6  | 0 V common/ (BL- only 23xx)       |
| 7  | Backlighting option + (only 2342) |
| 8  | Backlighting option + (only 2342) |

**Connections**

2242-2342



Counter or reset input - Voltage

**Connections**

2242-2342



Counter or reset input - Contact supplied with power

**Connections**

2242-2342



Counter or reset input PNP Transistor or 3-wire PNP proximity sensor (for leakage current detector < 1 mA)

**Connections**

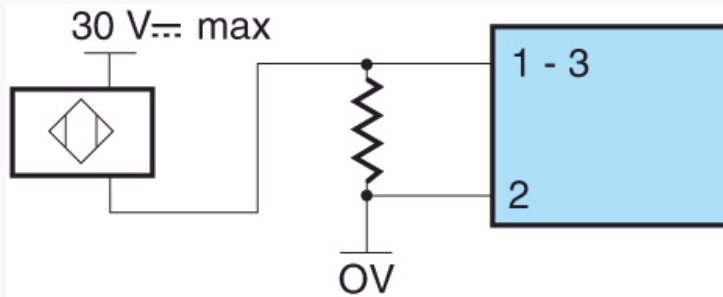
2242-2342



Counter or reset input NPN Transistor or 3-wire PNP proximity sensor (for leakage current detector < 1 mA)

**Connections**

2242-2342



08/07/2015

www.crouzet.com

Start/Stop or reset input : 2-wire proximity sensor R=470  $\Omega$ /2 W for 2-wire leakage current detector  $\leq 1$  mA

## Данный компонент на территории Российской Федерации

### Вы можете приобрести в компании MosChip.

Для оперативного оформления запроса Вам необходимо перейти по данной ссылке:

<http://moschip.ru/get-element>

Вы можете разместить у нас заказ для любого Вашего проекта, будь то серийное производство или разработка единичного прибора.

В нашем ассортименте представлены ведущие мировые производители активных и пассивных электронных компонентов.

Нашей специализацией является поставка электронной компонентной базы двойного назначения, продукции таких производителей как XILINX, Intel (ex.ALTERA), Vicor, Microchip, Texas Instruments, Analog Devices, Mini-Circuits, Amphenol, Glenair.

Сотрудничество с глобальными дистрибьюторами электронных компонентов, предоставляет возможность заказывать и получать с международных складов практически любой перечень компонентов в оптимальные для Вас сроки.

На всех этапах разработки и производства наши партнеры могут получить квалифицированную поддержку опытных инженеров.

Система менеджмента качества компании отвечает требованиям в соответствии с ГОСТ Р ИСО 9001, ГОСТ РВ 0015-002 и ЭС РД 009

### Офис по работе с юридическими лицами:

105318, г.Москва, ул.Щербаковская д.3, офис 1107, 1118, ДЦ «Щербаковский»

Телефон: +7 495 668-12-70 (многоканальный)

Факс: +7 495 668-12-70 (доб.304)

E-mail: [info@moschip.ru](mailto:info@moschip.ru)

Skype отдела продаж:

moschip.ru

moschip.ru\_4

moschip.ru\_6

moschip.ru\_9