

MAX5813/MAX5814/MAX5815

Ultra-Small, Quad-Channel, 8-/10-/12-Bit Buffered Output DACs with Internal Reference and I²C Interface

General Description

The MAX5813/MAX5814/MAX5815 4-channel, low-power, 8-/10-/12-bit, voltage-output digital-to-analog converters (DACs) include output buffers and an internal reference that is selectable to be 2.048V, 2.500V, or 4.096V. The MAX5813/MAX5814/MAX5815 accept a wide supply voltage range of 2.7V to 5.5V with extremely low power (3mW) consumption to accommodate most low-voltage applications. A precision external reference input allows rail-to-rail operation and presents a 100k Ω (typ) load to an external reference.

The MAX5813/MAX5814/MAX5815 have an I²C-compatible, 2-wire interface that operates at clock rates up to 400kHz. The DAC output is buffered and has a low supply current of less than 250 μ A per channel and a low offset error of ± 0.5 mV (typ). On power-up, the MAX5813/MAX5814/MAX5815 reset the DAC outputs to zero, providing additional safety for applications that drive valves or other transducers which need to be off on power-up. The internal reference is initially powered down to allow use of an external reference. The MAX5813/MAX5814/MAX5815 allow simultaneous output updates using software LOAD commands or the hardware load DAC logic input (LDAC).

A clear logic input ($\overline{\text{CLR}}$) allows the contents of the CODE and the DAC registers to be cleared asynchronously and sets the DAC outputs to zero. The MAX5813/MAX5814/MAX5815 are available in a 14-pin TSSOP and an ultra-small, 12-bump WLP package and are specified over the -40°C to +125°C temperature range.

Applications

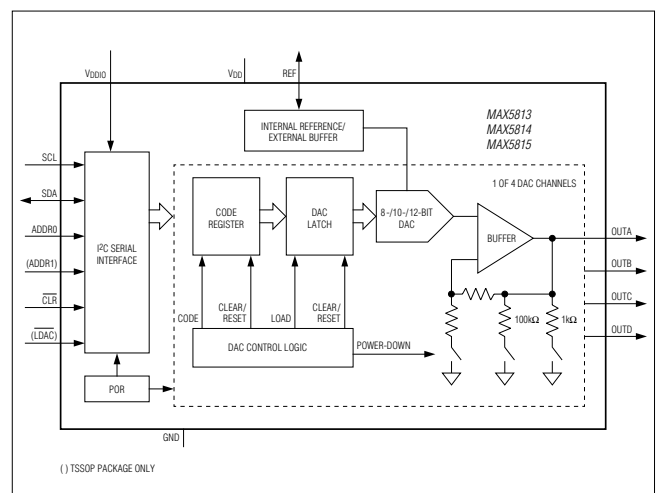
- Programmable Voltage and Current Sources
- Gain and Offset Adjustment
- Automatic Tuning and Optical Control
- Power Amplifier Control and Biasing
- Process Control and Servo Loops
- Portable Instrumentation
- Data Acquisition

Ordering Information appears at end of data sheet.

Benefits and Features

- ◆ **Four High-Accuracy DAC Channels**
 - ◇ 12-Bit Accuracy Without Adjustment
 - ◇ ± 1 LSB INL Buffered Voltage Output
 - ◇ Guaranteed Monotonic Over All Operating Conditions
 - ◇ Independent Mode Settings for Each DAC
- ◆ **Three Precision Selectable Internal References**
 - ◇ 2.048V, 2.500V, or 4.096V
- ◆ **Internal Output Buffer**
 - ◇ Rail-to-Rail Operation with External Reference
 - ◇ 4.5 μ s Settling Time
 - ◇ Outputs Directly Drive 2k Ω Loads
- ◆ **Small 5mm x 4.4mm 14-Pin TSSOP or Ultra-Small 1.6mm x 2.2mm 12-Bump WLP Package**
- ◆ **Wide 2.7V to 5.5V Supply Range**
- ◆ **Separate 1.8V to 5.5V V_{DDIO} Power-Supply Input**
- ◆ **Fast 400kHz I²C-Compatible, 2-Wire Serial Interface**
- ◆ **Power-On-Reset to Zero-Scale DAC Output**
- ◆ **$\overline{\text{LDAC}}$ and $\overline{\text{CLR}}$ For Asynchronous Control**
- ◆ **Three Software-Selectable Power-Down Output Impedances**
 - ◇ 1k Ω , 100k Ω , or High Impedance

Functional Diagram



For related parts and recommended products to use with this part, refer to: www.maximintegrated.com/MAX5813.related

For pricing, delivery, and ordering information, please contact Maxim Direct at 1-888-629-4642, or visit Maxim's website at www.maximintegrated.com.

MAX5813/MAX5814/MAX5815

Ultra-Small, Quad-Channel, 8-/10-/12-Bit Buffered Output DACs with Internal Reference and I²C Interface

ABSOLUTE MAXIMUM RATINGS

V _{DD} , V _{DDIO} to GND	-0.3V to +6V	Maximum Continuous Current into Any Pin	±50mA
OUT ₋ , REF to GND....	0.3V to the lower of (V _{DD} + 0.3V) and +6V	Operating Temperature Range	-40°C to +125°C
SCL, SDA, LDAC, CLR to GND	-0.3V to +6V	Storage Temperature Range.....	-65°C to +150°C
ADDR ₋ to GND.....	-0.3V to the lower of (V _{DDIO} + 0.3V) and +6V	Lead Temperature (TSSOP only)(soldering, 10s).....	+300°C
Continuous Power Dissipation (T _A = +70°C)		Soldering Temperature (reflow)	+260°C
TSSOP (derate at 10mW/°C above 70°C).....	797mW		
WLP (derate at 16.1mW/°C above 70°C).....	1288mW		

Stresses beyond those listed under "Absolute Maximum Ratings" may cause permanent damage to the device. These are stress ratings only, and functional operation of the device at these or any other conditions beyond those indicated in the operational sections of the specifications is not implied. Exposure to absolute maximum rating conditions for extended periods may affect device reliability.

PACKAGE THERMAL CHARACTERISTICS (Note 1)

TSSOP	Junction-to-Ambient Thermal Resistance (θ _{JA})	100°C/W	WLP	Junction-to-Ambient Thermal Resistance (θ _{JA})	
	Junction-to-Case Thermal Resistance (θ _{JC})	30°C/W		(Note 2).....	62°C/W

Note 1: Package thermal resistances were obtained using the method described in JEDEC specification JESD51-7, using a four-layer board. For detailed information on package thermal considerations, refer to www.maximintegrated.com/thermal-tutorial.

Note 2: Visit www.maximintegrated.com/app-notes/index.mvp/id/1891 for information about the thermal performance of WLP packaging.

ELECTRICAL CHARACTERISTICS

(V_{DD} = 2.7V to 5.5V, V_{DDIO} = 1.8V to 5.5V, V_{GND} = 0V, C_L = 200pF, R_L = 2kΩ, T_A = -40°C to +125°C, unless otherwise noted. Typical values are at T_A = +25°C.) (Note 3)

PARAMETER	SYMBOL	CONDITIONS	MIN	TYP	MAX	UNITS
DC PERFORMANCE (Note 4)						
Resolution and Monotonicity	N	MAX5813	8			Bits
		MAX5814	10			
		MAX5815	12			
Integral Nonlinearity (Note 5)	INL	MAX5813	-0.25	±0.05	+0.25	LSB
		MAX5814	-0.5	±0.25	+0.5	
		MAX5815	-1	±0.5	+1	
Differential Nonlinearity (Note 5)	DNL	MAX5813	-0.25	±0.05	+0.25	LSB
		MAX5814	-0.5	±0.1	+0.5	
		MAX5815	-1	±0.2	+1	
Offset Error (Note 6)	OE		-5	±0.5	+5	mV
Offset Error Drift				±10		µV/°C
Gain Error (Note 6)	GE		-1.0	±0.1	+1.0	%FS
Gain Temperature Coefficient		With respect to V _{REF}		±3.0		ppm of FS/°C
Zero-Scale Error			0		10	mV
Full-Scale Error		With respect to V _{REF}	-0.5		+0.5	%FS

MAX5813/MAX5814/MAX5815

Ultra-Small, Quad-Channel, 8-/10-/12-Bit Buffered Output DACs with Internal Reference and I²C Interface

ELECTRICAL CHARACTERISTICS (continued)

($V_{DD} = 2.7V$ to $5.5V$, $V_{DDIO} = 1.8V$ to $5.5V$, $V_{GND} = 0V$, $C_L = 200pF$, $R_L = 2k\Omega$, $T_A = -40^\circ C$ to $+125^\circ C$, unless otherwise noted. Typical values are at $T_A = +25^\circ C$.) (Note 3)

PARAMETER	SYMBOL	CONDITIONS		MIN	TYP	MAX	UNITS
DAC OUTPUT CHARACTERISTICS							
Output Voltage Range (Note 7)		No load		0		V_{DD}	V
		2k Ω load to GND		0		$V_{DD} - 0.2$	
		2k Ω load to V_{DD}		0.2		V_{DD}	
Load Regulation		$V_{OUT} = V_{FS}/2$	$V_{DD} = 3V \pm 10\%$, $ I_{OUT} \leq 5mA$		300		$\mu V/mA$
			$V_{DD} = 5V \pm 10\%$, $ I_{OUT} \leq 10mA$		300		
DC Output Impedance		$V_{OUT} = V_{FS}/2$	$V_{DD} = 3V \pm 10\%$, $ I_{OUT} \leq 5mA$		0.3		Ω
			$V_{DD} = 5V \pm 10\%$, $ I_{OUT} \leq 10mA$		0.3		
Maximum Capacitive Load Handling	C_L				500		pF
Resistive Load Handling	R_L			2			k Ω
Short-Circuit Output Current		$V_{DD} = 5.5V$	Sourcing (output shorted to GND)		30		mA
			Sinking (output shorted to V_{DD})		50		
DC Power-Supply Rejection		$V_{DD} = 3V \pm 10\%$ or $5V \pm 10\%$			100		$\mu V/V$
DYNAMIC PERFORMANCE							
Voltage-Output Slew Rate	SR	Positive and negative			1.0		V/ μs
Voltage-Output Settling Time		$1/4$ scale to $3/4$ scale, to ≤ 1 LSB, MAX5813			2.2		μs
		$1/4$ scale to $3/4$ scale, to ≤ 1 LSB, MAX5814			2.6		
		$1/4$ scale to $3/4$ scale, to ≤ 1 LSB, MAX5815			4.5		
DAC Glitch Impulse		Major code transition			7		nV*s
Channel-to-Channel Feedthrough (Note 8)		External reference			3.5		nV*s
		Internal reference			3.3		
Digital Feedthrough		Code = 0, all digital inputs from 0V to V_{DDIO}			0.2		nV*s
Power-Up Time		Startup calibration time (Note 9)			200		μs
		From power-down			50		μs

MAX5813/MAX5814/MAX5815

Ultra-Small, Quad-Channel, 8-/10-/12-Bit Buffered Output DACs with Internal Reference and I²C Interface

ELECTRICAL CHARACTERISTICS (continued)

(V_{DD} = 2.7V to 5.5V, V_{DDIO} = 1.8V to 5.5V, V_{GND} = 0V, C_L = 200pF, R_L = 2kΩ, T_A = -40°C to +125°C, unless otherwise noted. Typical values are at T_A = +25°C.) (Note 3)

PARAMETER	SYMBOL	CONDITIONS		MIN	TYP	MAX	UNITS
Output Voltage-Noise Density (DAC Output at Midscale)		External reference	f = 1kHz		90		nV/√Hz
			f = 10kHz		82		
		2.048V internal reference	f = 1kHz		112		
			f = 10kHz		102		
		2.5V internal reference	f = 1kHz		125		
			f = 10kHz		110		
		4.096V internal reference	f = 1kHz		160		
			f = 10kHz		145		
Integrated Output Noise (DAC Output at Midscale)		External reference	f = 0.1Hz to 10Hz		12		μV _{P-P}
			f = 0.1Hz to 10kHz		76		
			f = 0.1Hz to 300kHz		385		
		2.048V internal reference	f = 0.1Hz to 10Hz		14		
			f = 0.1Hz to 10kHz		91		
			f = 0.1Hz to 300kHz		450		
		2.5V internal reference	f = 0.1Hz to 10Hz		15		
			f = 0.1Hz to 10kHz		99		
			f = 0.1Hz to 300kHz		470		
		4.096V internal reference	f = 0.1Hz to 10Hz		16		
			f = 0.1Hz to 10kHz		124		
			f = 0.1Hz to 300kHz		490		
Output Voltage-Noise Density (DAC Output at Full Scale)		External reference	f = 1kHz		114		nV/√Hz
			f = 10kHz		99		
		2.048V internal reference	f = 1kHz		175		
			f = 10kHz		153		
		2.5V internal reference	f = 1kHz		200		
			f = 10kHz		174		
		4.096V internal reference	f = 1kHz		295		
			f = 10kHz		255		
Integrated Output Noise (DAC Output at Full Scale)		External reference	f = 0.1Hz to 10Hz		13		μV _{P-P}
			f = 0.1Hz to 10kHz		94		
			f = 0.1Hz to 300kHz		540		
		2.048V internal reference	f = 0.1Hz to 10Hz		19		
			f = 0.1Hz to 10kHz		143		
			f = 0.1Hz to 300kHz		685		
		2.5V internal reference	f = 0.1Hz to 10Hz		21		
			f = 0.1Hz to 10kHz		159		
			f = 0.1Hz to 300kHz		705		
		4.096V internal reference	f = 0.1Hz to 10Hz		26		
			f = 0.1Hz to 10kHz		213		
			f = 0.1Hz to 300kHz		750		

MAX5813/MAX5814/MAX5815

Ultra-Small, Quad-Channel, 8-/10-/12-Bit Buffered Output DACs with Internal Reference and I²C Interface

ELECTRICAL CHARACTERISTICS (continued)

(V_{DD} = 2.7V to 5.5V, V_{DDIO} = 1.8V to 5.5V, V_{GND} = 0V, C_L = 200pF, R_L = 2kΩ, T_A = -40°C to +125°C, unless otherwise noted. Typical values are at T_A = +25°C.) (Note 3)

PARAMETER	SYMBOL	CONDITIONS	MIN	TYP	MAX	UNITS	
REFERENCE INPUT							
Reference Input Range	V _{REF}		1.24		V _{DD}	V	
Reference Input Current	I _{REF}	V _{REF} = V _{DD} = 5.5V		55	74	μA	
Reference Input Impedance	R _{REF}		75	100		kΩ	
REFERENCE OUTPUT							
Reference Output Voltage	V _{REF}	V _{REF} = 2.048V, T _A = +25°C	2.043	2.048	2.053	V	
		V _{REF} = 2.5V, T _A = +25°C	2.494	2.500	2.506		
		V _{REF} = 4.096V, T _A = +25°C	4.086	4.096	4.106		
Reference Temperature Coefficient (Note 10)		MAX5815A		±3.7	±10	ppm/°C	
		MAX5813/MAX5814/MAX5815B		±10	±25		
Reference Drive Capacity		External load		25		kΩ	
Reference Capacitive Load				200		pF	
Reference Load Regulation		I _{SOURCE} = 0 to 500μA		2		mV/mA	
Reference Line Regulation				0.05		mV/V	
POWER REQUIREMENTS							
Supply Voltage	V _{DD}	V _{REF} = 4.096V	4.5		5.5	V	
		All other options	2.7		5.5		
I/O Supply Voltage	V _{DDIO}		1.8		5.5	V	
Supply Current (Note 11)	I _{DD}	Internal reference	V _{REF} = 2.048V		0.93	1.25	mA
			V _{REF} = 2.5V		0.98	1.30	
			V _{REF} = 4.096V		1.16	1.50	
		External reference	V _{REF} = 3V		0.85	1.15	
			V _{REF} = 5V		1.10	1.40	
Interface Supply Current (Note 11)	I _{DDIO}				1	μA	
Power-Down Mode Supply Current	I _{PD}	All DACs off, internal reference ON		140		μA	
		All DACs off, internal reference OFF, T _A = -40°C to +85°C		0.5	1		
		All DACs off, internal reference OFF, T _A = +125°C		1.2	2.5		
DIGITAL INPUT CHARACTERISTICS (SCL, SDA, ADDR0, ADDR1, LDAC, CLR)							
Input High Voltage (Note 11)	V _{IH}	2.2V < V _{DDIO} < 5.5V		0.7 x	V _{DDIO}	V	
		1.8V < V _{DDIO} < 2.2V		0.8 x	V _{DDIO}	V	

MAX5813/MAX5814/MAX5815

Ultra-Small, Quad-Channel, 8-/10-/12-Bit Buffered Output DACs with Internal Reference and I²C Interface

ELECTRICAL CHARACTERISTICS (continued)

(V_{DD} = 2.7V to 5.5V, V_{DDIO} = 1.8V to 5.5V, V_{GND} = 0V, C_L = 200pF, R_L = 2kΩ, T_A = -40°C to +125°C, unless otherwise noted. Typical values are at T_A = +25°C.) (Note 3)

PARAMETER	SYMBOL	CONDITIONS	MIN	TYP	MAX	UNITS
Input Low Voltage (Note 11)	V _{IL}	2.2V < V _{DDIO} < 5.5V			0.3 × V _{DDIO}	V
		1.8V < V _{DDIO} < 2.2V			0.2 × V _{DDIO}	
Hysteresis Voltage	V _H			0.15		V
Input Leakage Current	I _{IN}	V _{IN} = 0V or V _{DDIO} (Note 11)		±0.1	±1	μA
Input Capacitance (Note 10)	C _{IN}			3		pF
ADDR_ Pullup/Pulldown Strength	R _{PU} , R _{PD}	(Note 12)	30	50	90	kΩ
DIGITAL OUTPUT (SDA)						
Output Low Voltage	V _{OL}	I _{SINK} = 3mA			0.2	V
I²C TIMING CHARACTERISTICS (SCL, SDA, LDAC, CLR)						
SCL Clock Frequency	f _{SCL}				400	kHz
Bus Free Time Between a STOP and a START Condition	t _{BUF}		1.3			μs
Hold Time Repeated for a START Condition	t _{HD;STA}		0.6			μs
SCL Pulse Width Low	t _{LOW}		1.3			μs
SCL Pulse Width High	t _{HIGH}		0.6			μs
Setup Time for Repeated START Condition	t _{SU;STA}		0.6			μs
Data Hold Time	t _{HD;DAT}		0		900	ns
Data Setup Time	t _{SU;DAT}		100			ns
SDA and SCL Receiving Rise Time	t _r		20 + C _B /10		300	ns
SDA and SCL Receiving Fall Time	t _f		20 + C _B /10		300	ns
SDA Transmitting Fall Time	t _f		20 + C _B /10		250	ns
Setup Time for STOP Condition	t _{SU;STO}		0.6			μs
Bus Capacitance Allowed	C _B	V _{DD} = 2.7V to 5.5V	10		400	pF
Pulse Width of Suppressed Spike	t _{sp}			50		ns
CLR Removal Time Prior to a Recognized START	t _{CLRSTA}		100			ns
CLR Pulse Width Low	t _{CLPW}		20			ns
LDAC Pulse Width Low	t _{LDPW}		20			ns
SCLK Rise to LDAC Fall to Hold	t _{LDH}	Applies to execution edge	400			ns

MAX5813/MAX5814/MAX5815

Ultra-Small, Quad-Channel, 8-/10-/12-Bit Buffered Output DACs with Internal Reference and I²C Interface

ELECTRICAL CHARACTERISTICS (continued)

($V_{DD} = 2.7V$ to $5.5V$, $V_{DDIO} = 1.8V$ to $5.5V$, $V_{GND} = 0V$, $C_L = 200pF$, $R_L = 2k\Omega$, $T_A = -40^\circ C$ to $+125^\circ C$, unless otherwise noted. Typical values are at $T_A = +25^\circ C$.) (Note 3)

- Note 3:** Electrical specifications are production tested at $T_A = +25^\circ C$. Specifications over the entire operating temperature range are guaranteed by design and characterization. Typical specifications are at $T_A = +25^\circ C$.
- Note 4:** DC Performance is tested without load.
- Note 5:** Linearity is tested with unloaded outputs to within 20mV of GND and V_{DD} .
- Note 6:** Offset and gain errors are calculated from measurements made with $V_{REF} = V_{DD}$ at code 30 and 4065 for MAX5815, code 8 and 1016 for MAX5814, and code 2 and 254 for MAX5813.
- Note 7:** Subject to zero and full-scale error limits and V_{REF} settings.
- Note 8:** Measured with all other DAC outputs at midscale with one channel transitioning 0 to full scale.
- Note 9:** On power-up, the device initiates an internal 200 μs (typ) calibration sequence. All commands issued during this time will be ignored.
- Note 10:** Guaranteed by design.
- Note 11:** All channels active at V_{FS} , unloaded. Static logic inputs with $V_{IL} = V_{GND}$ and $V_{IH} = V_{DDIO}$.
- Note 12:** An unconnected condition on the ADDR_ pins is sensed via a resistive pullup and pulldown operation; for proper operation, ADDR_ pins should be tied to V_{DDIO} , GND, or left unconnected with minimal capacitance.

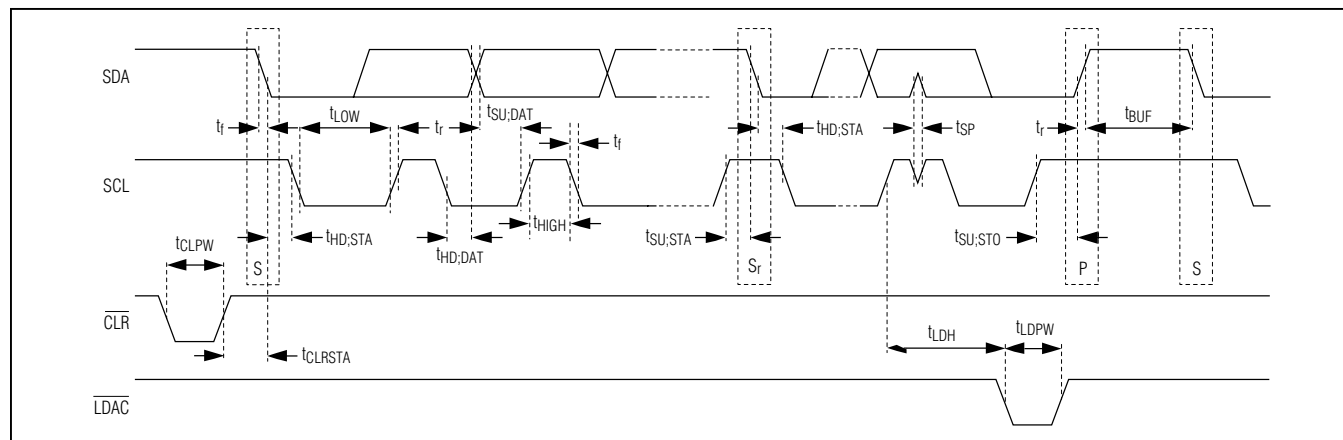
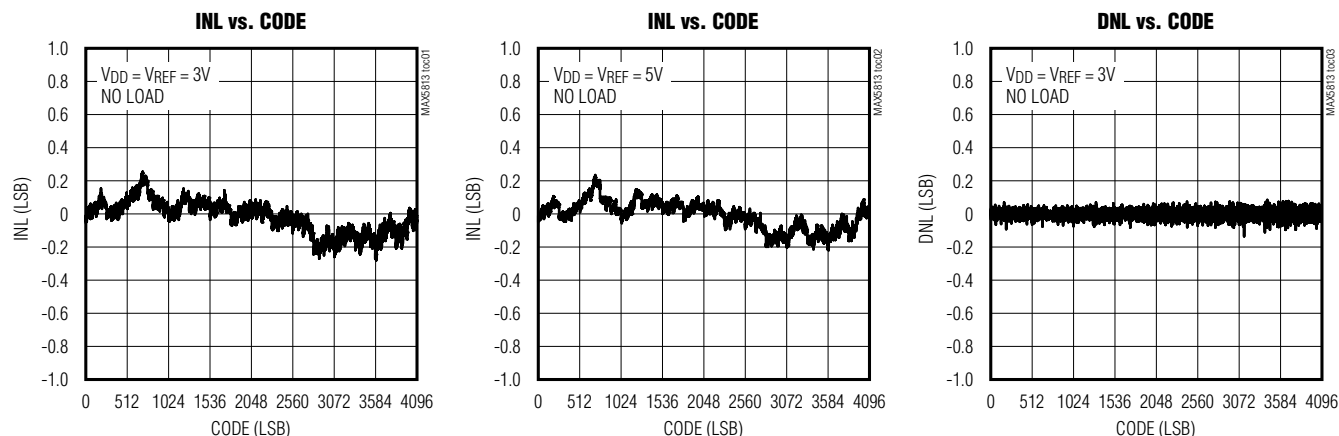


Figure 1. I²C Serial Interface Timing Diagram

Typical Operating Characteristics

(MAX5815, 12-bit performance, $T_A = +25^\circ C$, unless otherwise noted.)

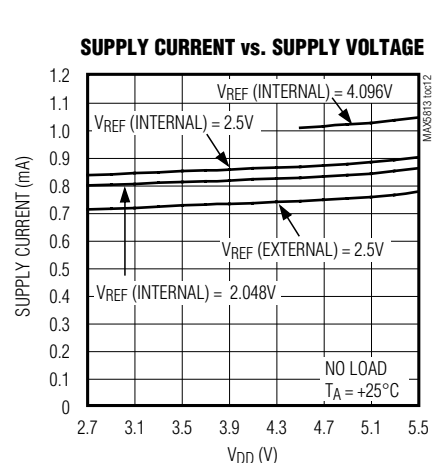
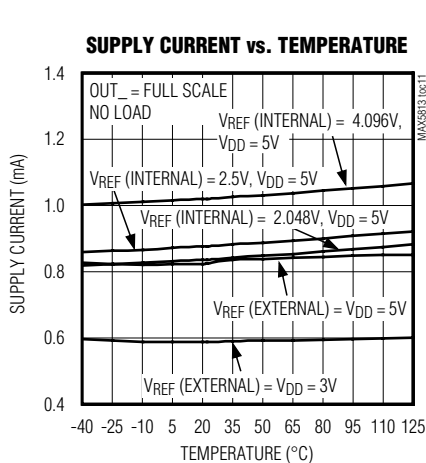
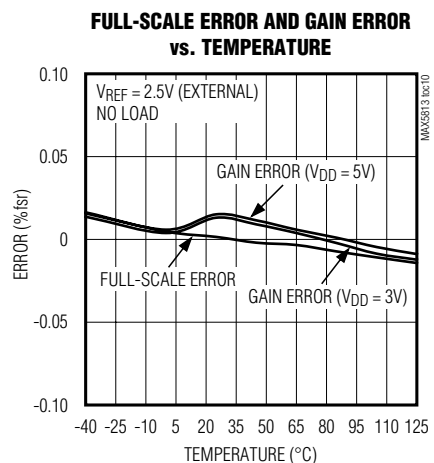
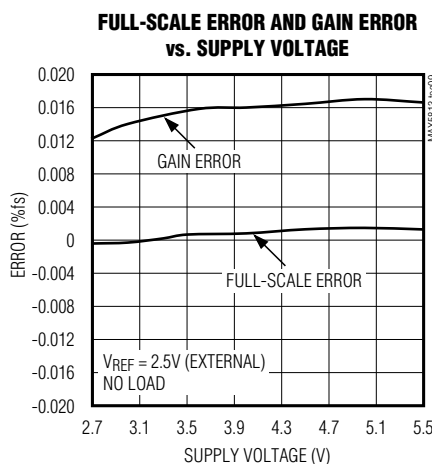
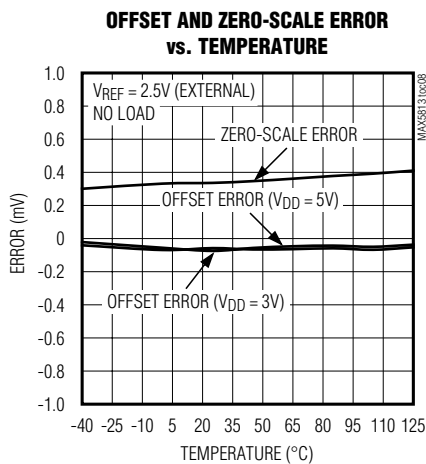
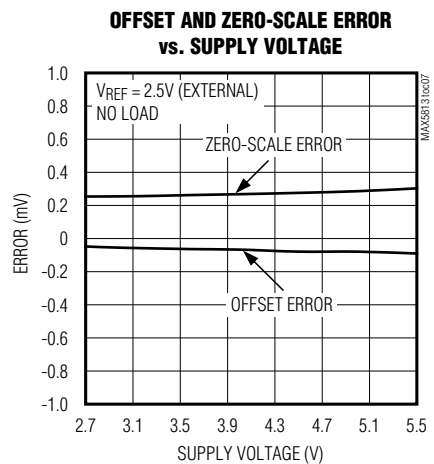
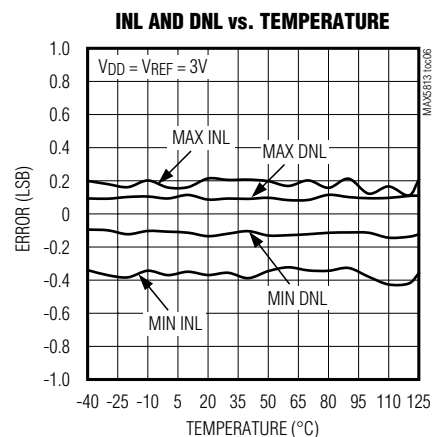
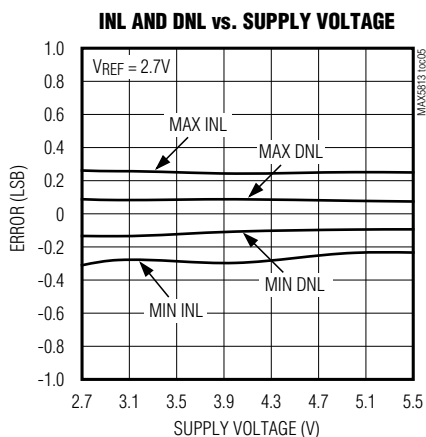
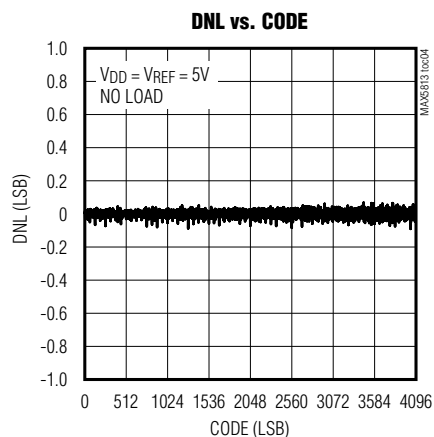


MAX5813/MAX5814/MAX5815

Ultra-Small, Quad-Channel, 8-/10-/12-Bit Buffered Output DACs with Internal Reference and I²C Interface

Typical Operating Characteristics (continued)

(MAX5815, 12-bit performance, $T_A = +25^\circ\text{C}$, unless otherwise noted.)



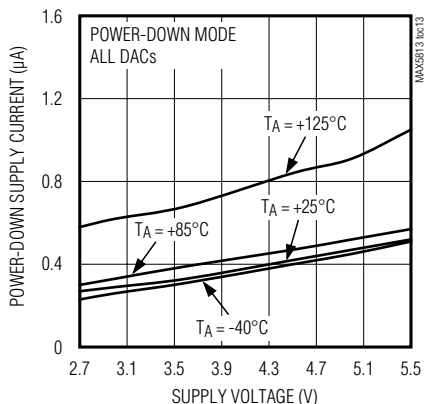
MAX5813/MAX5814/MAX5815

Ultra-Small, Quad-Channel, 8-/10-/12-Bit Buffered Output DACs with Internal Reference and I²C Interface

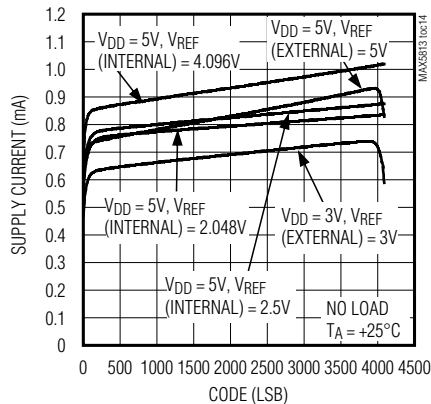
Typical Operating Characteristics (continued)

(MAX5815, 12-bit performance, $T_A = +25^\circ\text{C}$, unless otherwise noted.)

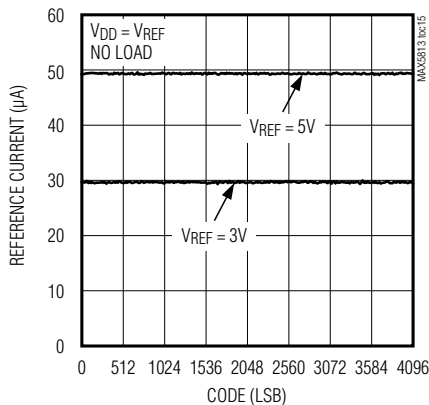
POWER-DOWN MODE SUPPLY CURRENT vs. TEMPERATURE



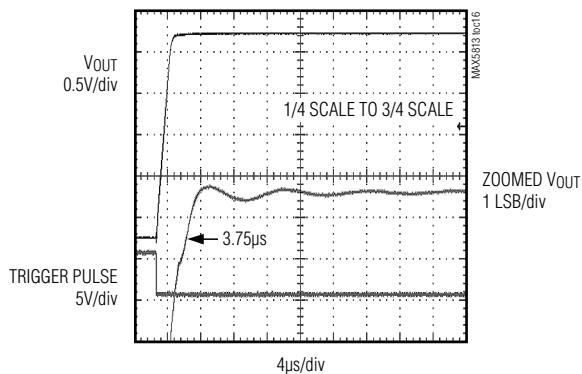
SUPPLY CURRENT vs. CODE



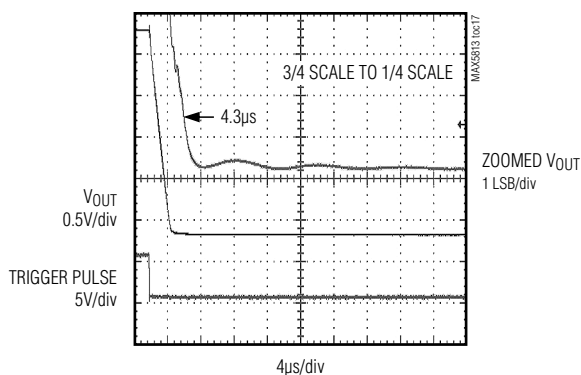
IREF (EXTERNAL) vs. CODE



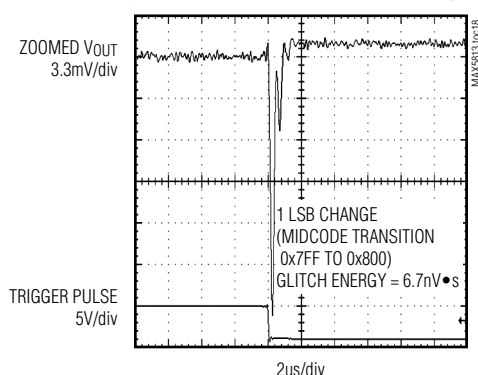
SETTLING TO ±1 LSB (VDD = VREF = 5V, RL = 2kΩ, CL = 200pF)



SETTLING TO ±1 LSB (VDD = VREF = 5V, RL = 2kΩ, CL = 200pF)



MAJOR CODE TRANSITION GLITCH ENERGY (VDD = VREF = 5V, RL = 2kΩ, CL = 200pF)



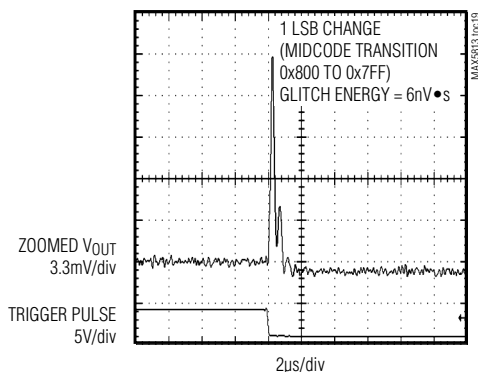
MAX5813/MAX5814/MAX5815

Ultra-Small, Quad-Channel, 8-/10-/12-Bit Buffered Output DACs with Internal Reference and I²C Interface

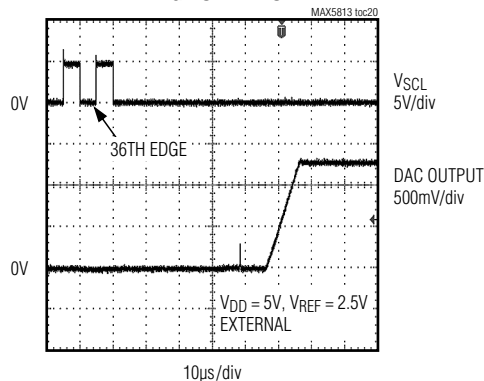
Typical Operating Characteristics (continued)

(MAX5815, 12-bit performance, $T_A = +25^\circ\text{C}$, unless otherwise noted.)

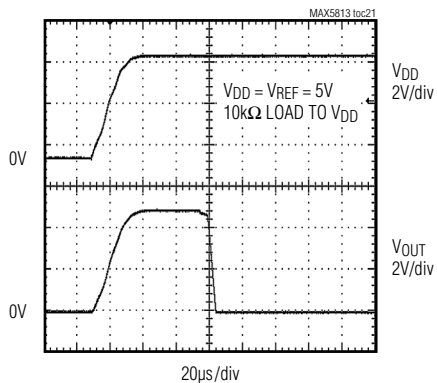
**MAJOR CODE TRANSITION
GLITCH ENERGY**
($V_{DD} = V_{REF} = 5\text{V}$, $R_L = 2\text{k}\Omega$, $C_L = 200\text{pF}$)



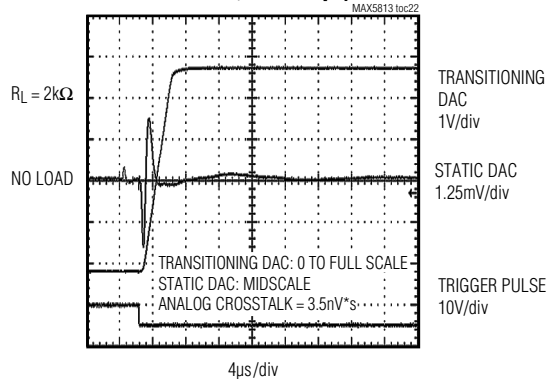
**V_{OUT} vs. TIME TRANSIENT
EXITING POWER-DOWN**



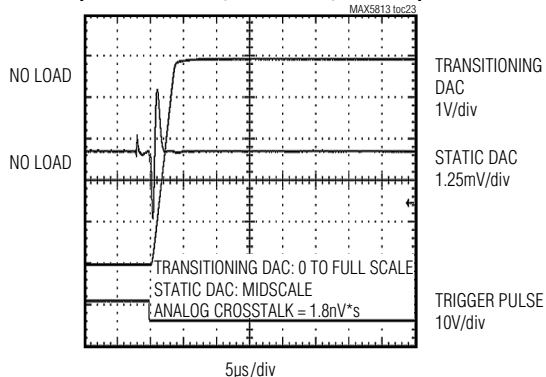
POWER-ON RESET TO 0V



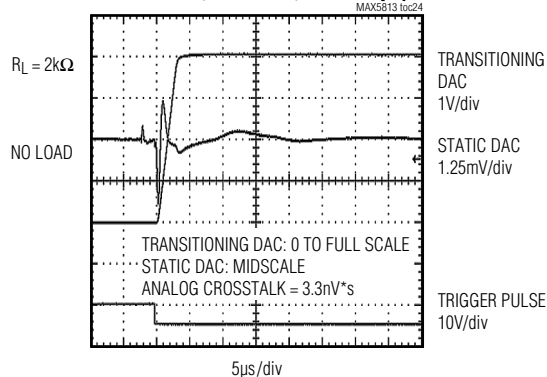
CHANNEL-TO-CHANNEL FEEDTHROUGH
($V_{DD} = V_{REF} = 5\text{V}$, $T_A = +25^\circ\text{C}$,
 $R_L = 2\text{k}\Omega$, $C_L = 200\text{pF}$)



CHANNEL-TO-CHANNEL FEEDTHROUGH
($V_{DD} = V_{REF} = 5\text{V}$, $T_A = +25^\circ\text{C}$, NO LOAD)



CHANNEL-TO-CHANNEL FEEDTHROUGH
($V_{DD} = 5\text{V}$, $V_{REF} = 4.096\text{V}$ (INTERNAL),
 $T_A = +25^\circ\text{C}$, $R_L = 2\text{k}\Omega$, $C_L = 200\text{pF}$)



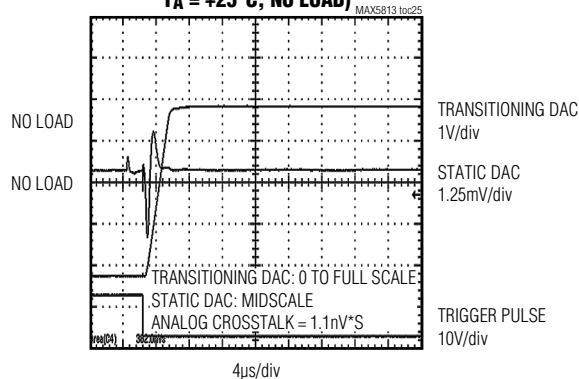
MAX5813/MAX5814/MAX5815

Ultra-Small, Quad-Channel, 8-/10-/12-Bit Buffered Output DACs with Internal Reference and I²C Interface

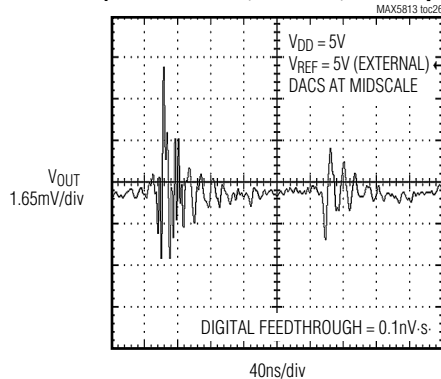
Typical Operating Characteristics (continued)

(MAX5815, 12-bit performance, $T_A = +25^\circ\text{C}$, unless otherwise noted.)

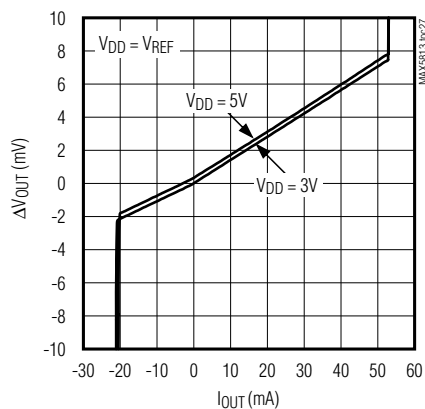
CHANNEL-TO-CHANNEL FEEDTHROUGH
($V_{DD} = 5\text{V}$, $V_{REF} = 4.096\text{V}$ (INTERNAL),
 $T_A = +25^\circ\text{C}$, NO LOAD)



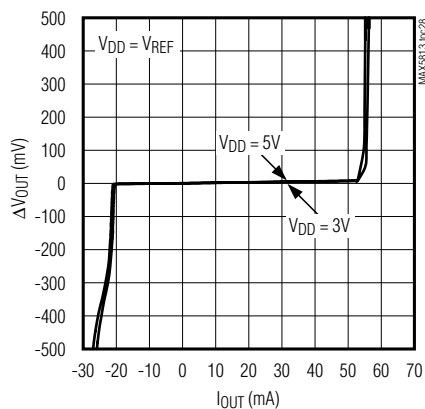
DIGITAL FEEDTHROUGH
($V_{DD} = V_{REF} = 5\text{V}$, $R_L = 2\text{k}\Omega$, $C_L = 200\text{pF}$)



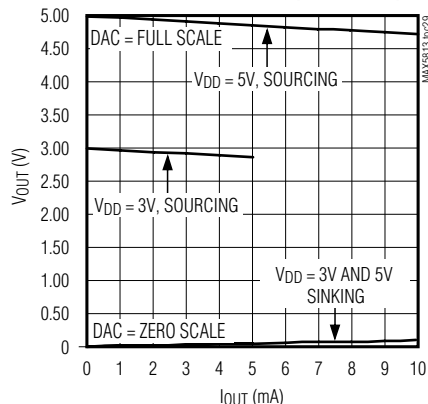
OUTPUT LOAD REGULATION



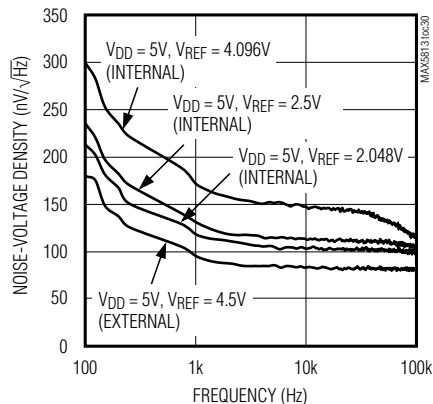
OUTPUT CURRENT LIMITING



HEADROOM AT RAILS
vs. OUTPUT CURRENT ($V_{DD} = V_{REF}$)



NOISE-VOLTAGE DENSITY
VS. FREQUENCY (DAC AT MIDSACLE)



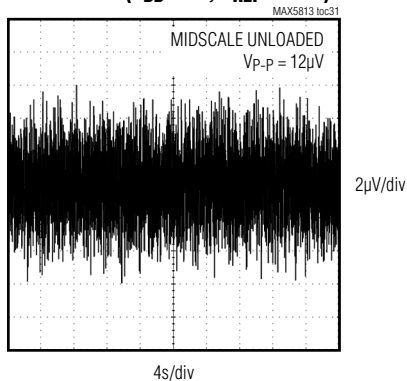
MAX5813/MAX5814/MAX5815

Ultra-Small, Quad-Channel, 8-/10-/12-Bit Buffered Output DACs with Internal Reference and I²C Interface

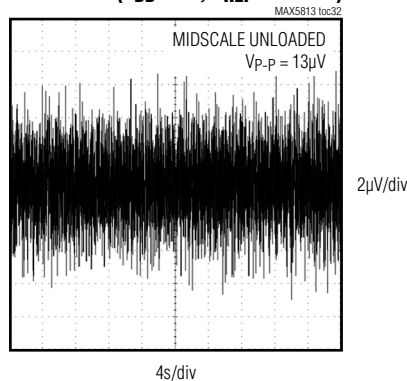
Typical Operating Characteristics (continued)

(MAX5815, 12-bit performance, $T_A = +25^\circ\text{C}$, unless otherwise noted.)

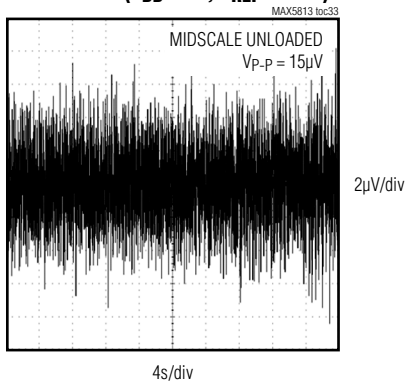
0.1Hz TO 10Hz OUTPUT NOISE, EXTERNAL REFERENCE ($V_{DD} = 5\text{V}$, $V_{REF} = 4.5\text{V}$)



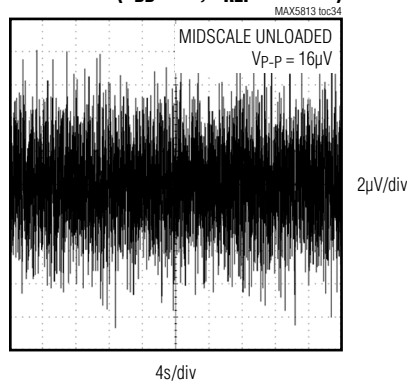
0.1Hz TO 10Hz OUTPUT NOISE, INTERNAL REFERENCE ($V_{DD} = 5\text{V}$, $V_{REF} = 2.048\text{V}$)



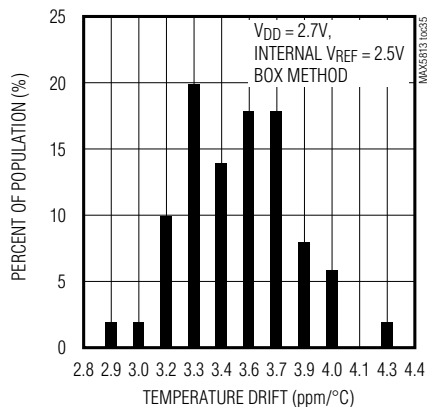
0.1Hz TO 10Hz OUTPUT NOISE, INTERNAL REFERENCE ($V_{DD} = 5\text{V}$, $V_{REF} = 2.5\text{V}$)



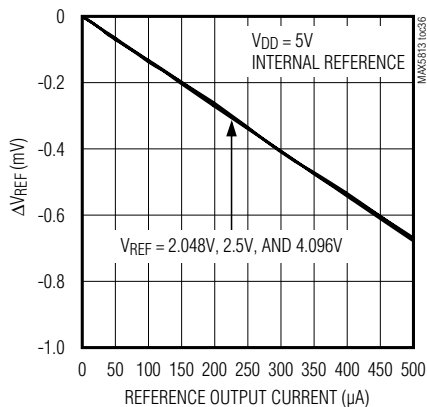
0.1Hz TO 10Hz OUTPUT NOISE, INTERNAL REFERENCE ($V_{DD} = 5\text{V}$, $V_{REF} = 4.096\text{V}$)



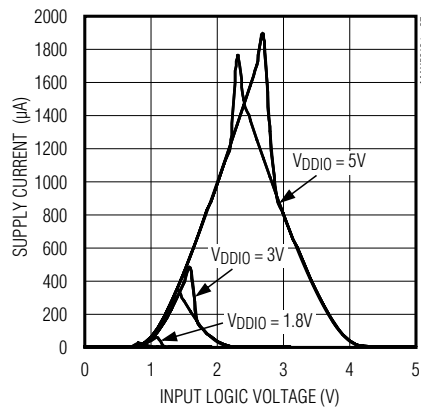
VREF DRIFT vs. TEMPERATURE



REFERENCE LOAD REGULATION



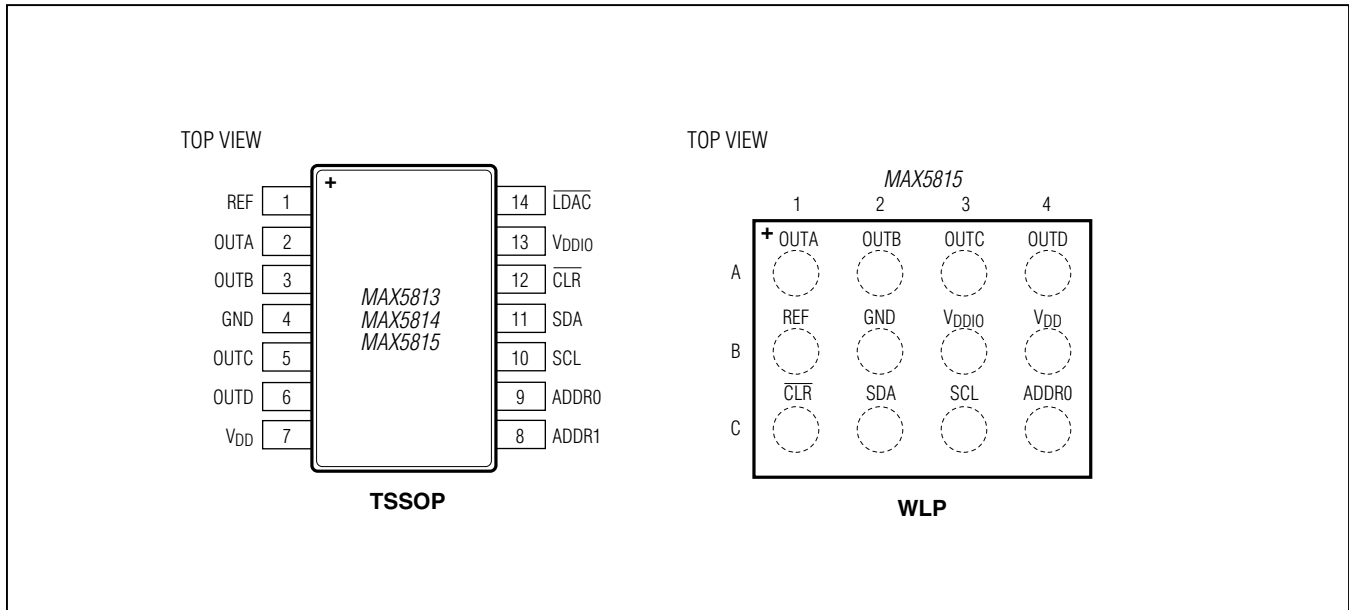
SUPPLY CURRENT vs. INPUT LOGIC VOLTAGE



MAX5813/MAX5814/MAX5815

Ultra-Small, Quad-Channel, 8-/10-/12-Bit Buffered Output DACs with Internal Reference and I²C Interface

Pin/Bump Configurations



Pin/Bump Description

PIN	BUMP	NAME	FUNCTION
TSSOP	WLP		
1	B1	REF	Reference Voltage Input/Output
2	A1	OUTA	Buffered Channel A DAC Output
3	A2	OUTB	Buffered Channel B DAC Output
4	B2	GND	Ground
5	A3	OUTC	Buffered Channel C DAC Output
6	A4	OUTD	Buffered Channel D DAC Output
7	B4	V _{DD}	Supply Voltage Input. Bypass V _{DD} with a 0.1μF capacitor to GND.
8	—	ADDR1	I ² C Interface Address Selection Bit 1
9	C4	ADDR0	I ² C Interface Address Selection Bit 0
10	C3	SCL	I ² C Interface Clock Input
11	C2	SDA	I ² C Bidirectional Serial Data
12	C1	CLR	Active-Low Clear Input
13	B3	V _{DDIO}	Digital Interface Power-Supply Input
14	—	LDAC	Load DAC. Active-low hardware load DAC input.

MAX5813/MAX5814/MAX5815

Ultra-Small, Quad-Channel, 8-/10-/12-Bit Buffered Output DACs with Internal Reference and I²C Interface

Detailed Description

The MAX5813/MAX5814/MAX5815 are 4-channel, low-power, 8-/10-/12-bit buffered voltage-output DACs. The 2.7V to 5.5V wide supply voltage range and low-power consumption accommodates most low-power and low-voltage applications. The devices present a 100k Ω load to the external reference. The internal output buffers allow rail-to-rail operation. An internal voltage reference is available with software selectable options of 2.048V, 2.5V, or 4.096V. The devices feature a fast 400kHz I²C-compatible interface. The MAX5813/MAX5814/MAX5815 include a serial-in/parallel-out shift register, internal CODE and DAC registers, a power-on-reset (POR) circuit to initialize the DAC outputs to code zero, and control logic. $\overline{\text{CLR}}$ is available to asynchronously clear the device independent of the serial interface.

DAC Outputs (OUT_n)

The MAX5813/MAX5814/MAX5815 include internal buffers on all DAC outputs. The internal output buffers provide improved load regulation for the DAC outputs. The output buffers slew at 1V/ μ s (typ) and drive up to 2k Ω in parallel with 500pF. The analog supply voltage (V_{DD}) determines the maximum output voltage range of the devices as V_{DD} powers the output buffer. Under no-load conditions, the output buffers drive from GND to V_{DD} , subject to offset and gain errors. With a 2k Ω load to GND, the output buffers drive from GND to within 200mV of V_{DD} . With a 2k Ω load to V_{DD} , the output buffers drive from V_{DD} to within 200mV of GND.

The DAC ideal output voltage is defined by:

$$V_{\text{OUT}} = V_{\text{REF}} \times \frac{D}{2^N}$$

where D = code loaded into the DAC register, V_{REF} = reference voltage, N = resolution.

Internal Register Structure

The user interface is separated from the DAC logic to minimize digital feedthrough. Within the serial interface is an input shift register, the contents of which can be routed to control registers, individual, or multiple DACs as determined by the user command.

Within each DAC channel there is a CODE register followed by a DAC latch register (see the *Detailed Functional Diagram*). The contents of the CODE register hold pending DAC output settings which can later be

loaded into the DAC registers. The CODE register can be updated using both CODE and CODE_LOAD user commands. The contents of the DAC register hold the current DAC output settings. The DAC register can be updated directly from the serial interface using the CODE_LOAD commands or can upload the current contents of the CODE register using LOAD commands or the $\overline{\text{LDAC}}$ hardware pin.

The contents of both CODE and DAC registers are maintained during power-down states, so that when the DACs are powered on, they return to their previously stored output settings. Any CODE or LOAD commands issued during power-down states continue to update the register contents. SW_CLEAR and SW_RESET commands reset the contents of all CODE and DAC registers to their zero-scale defaults.

Internal Reference

The MAX5813/MAX5814/MAX5815 include an internal precision voltage reference that is software selectable to be 2.048V, 2.500V, or 4.096V. When an internal reference is selected, that voltage is available on the REF pin for other external circuitry (see [Figure 9](#)) and can drive a 25k Ω load.

External Reference

The external reference input has a typical input impedance of 100k Ω and accepts an input voltage from +1.24V to V_{DD} . Connect an external voltage supply between REF and GND to apply an external reference. The MAX5813/MAX5814/MAX5815 power up and reset to external reference mode. Visit www.maximintegrated.com/products/references for a list of available external voltage-reference devices.

Load DAC ($\overline{\text{LDAC}}$) Input

The MAX5813/MAX5814/MAX5815 feature an active-low $\overline{\text{LDAC}}$ logic input that allows the outputs to update asynchronously. Connect $\overline{\text{LDAC}}$ to V_{DDIO} or keep $\overline{\text{LDAC}}$ high during normal operation when the device is controlled only through the serial interface. Drive $\overline{\text{LDAC}}$ low to simultaneously update the DAC outputs with data from the CODE registers. Holding $\overline{\text{LDAC}}$ low causes the DAC registers to become transparent and CODE data is passed through to the DAC registers immediately updating the DAC outputs. A software CONFIG command can be used to configure the $\overline{\text{LDAC}}$ operation of each DAC independently.

MAX5813/MAX5814/MAX5815

Ultra-Small, Quad-Channel, 8-/10-/12-Bit Buffered Output DACs with Internal Reference and I²C Interface

Clear Input ($\overline{\text{CLR}}$)

The MAX5813/MAX5814/MAX5815 feature an asynchronous active-low $\overline{\text{CLR}}$ logic input that simultaneously sets all four DAC outputs to zero. Driving $\overline{\text{CLR}}$ low clears the contents of both the CODE and DAC registers and also aborts the on-going I²C command. To allow a new I²C command, drive $\overline{\text{CLR}}$ high, satisfying the t_{CLRSTA} timing requirement.

Interface Power Supply (V_{DDIO})

The MAX5813/MAX5814/MAX5815 feature a separate supply pin (V_{DDIO}) for the digital interface (1.8V to 5.5V). Connect V_{DDIO} to the I/O supply of the host processor.

I²C Serial Interface

The MAX5813/MAX5814/MAX5815 feature an I²C-/SMBus™-compatible, 2-wire serial interface consisting of a serial data line (SDA) and a serial clock line (SCL). SDA and SCL enable communication between the MAX5813/MAX5814/MAX5815 and the master at clock rates up to 400kHz. [Figure 1](#) shows the 2-wire interface timing diagram. The master generates SCL and initiates data transfer on the bus. The master device writes data to the MAX5813/MAX5814/MAX5815 by transmitting the proper slave address followed by the command byte and then the data word. Each transmit sequence is framed by a START (S) or Repeated START (Sr) condition and a STOP (P) condition. Each word transmitted to the MAX5813/MAX5814/MAX5815 is 8 bits long and is followed by an acknowledge clock pulse. A master reading data from the MAX5813/MAX5814/MAX5815 must transmit the proper slave address followed by a series of nine SCL pulses for each byte of data requested. The MAX5813/MAX5814/MAX5815 transmit data on SDA in sync with the master-generated SCL pulses. The master acknowledges receipt of each byte of data. Each read sequence is framed by a START or Repeated START condition, a not acknowledge, and a STOP condition. SDA operates as both an input and an open-drain output. A pullup resistor, typically 4.7k Ω is required on SDA. SCL operates only as an input. A pullup resistor, typically 4.7k Ω , is required on SCL if there are multiple masters on the bus, or if the single master has an open-drain SCL output.

Series resistors in line with SDA and SCL are optional. Series resistors protect the digital inputs of the MAX5813/MAX5814/MAX5815 from high voltage spikes on the bus lines and minimize crosstalk and undershoot of the bus

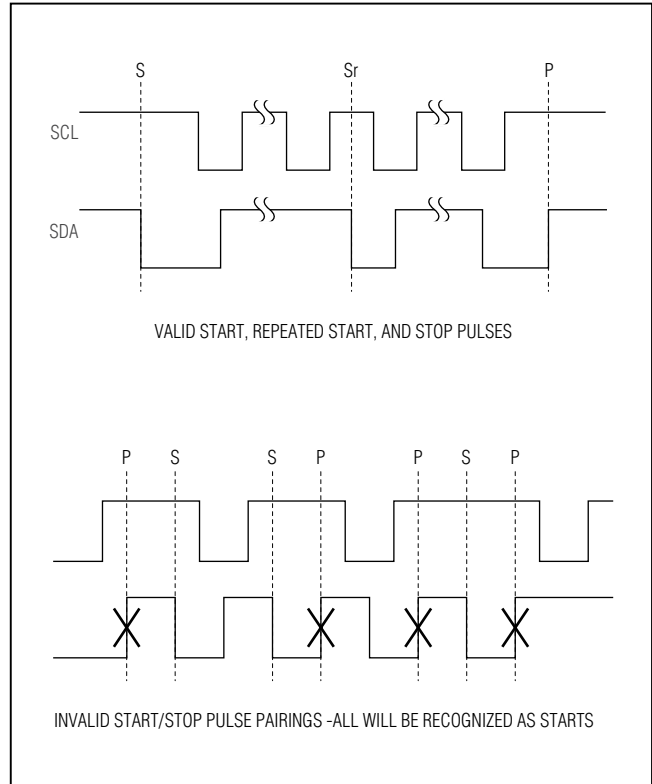


Figure 2. I²C START, Repeated START, and STOP Conditions

signals. The MAX5813/MAX5814/MAX5815 can accommodate bus voltages higher than V_{DDIO} up to a limit of 5.5V; bus voltages lower than V_{DDIO} are not recommended and may result in significantly increased interface currents. The MAX5813/MAX5814/MAX5815 digital inputs are double buffered. Depending on the command issued through the serial interface, the CODE register(s) can be loaded without affecting the DAC register(s) using the write command. To update the DAC registers, either drive the $\overline{\text{LDAC}}$ input low to asynchronously update all DAC outputs, or use the software LOAD command.

I²C START and STOP Conditions

SDA and SCL idle high when the bus is not in use. A master initiates communication by issuing a START condition. A START condition is a high-to-low transition on SDA with SCL high. A STOP condition is a low-to-high transition on SDA while SCL is high ([Figure 2](#)). A START condition from the master signals the beginning of a transmission

SMBus is a trademark of Intel Corp.

MAX5813/MAX5814/MAX5815

Ultra-Small, Quad-Channel, 8-/10-/12-Bit Buffered Output DACs with Internal Reference and I²C Interface

to the MAX5813/MAX5814/MAX5815. The master terminates transmission and frees the bus, by issuing a STOP condition. The bus remains active if a Repeated START condition is generated instead of a STOP condition.

I²C Early STOP and Repeated START Conditions

The MAX5813/MAX5814/MAX5815 recognize a STOP condition at any point during data transmission except if the STOP condition occurs in the same high pulse as a START condition. Transmissions ending in an early STOP condition will not impact the internal device settings. If the STOP occurs during a readback byte, the transmission is terminated and a later read mode request will begin transfer of the requested register data from the beginning (this applies to combined format I²C read mode transfers only, interface verification mode transfers will be corrupted). See [Figure 2](#).

I²C Slave Address

The slave address is defined as the seven most significant bits (MSBs) followed by the R/W bit. See [Figure 4](#). For the TSSOP packages, the three most significant bits are 001 with the 4 LSBs determined by ADDR1 and ADDR0 as shown in [Table 1](#). For the WLP package, the five most significant bits are 00011 with the 2 LSBs determined by ADDR0 as shown in [Table 2](#). Setting the R/W bit to 1 configures the MAX5813/MAX5814/MAX5815 for read mode. Setting the R/W bit to 0 configures the MAX5813/MAX5814/MAX5815 for write mode. The slave address is the first byte of information sent to the MAX5813/MAX5814/MAX5815 after the START condition.

The MAX5813/MAX5814/MAX5815 have the ability to detect an unconnected state on the ADDR input for additional address flexibility; if leaving the ADDR input unconnected, be certain to minimize all loading on the pin (i.e. provide a landing for the pin, but do not allow any board traces).

I²C Broadcast Address

A broadcast address is provided for the purpose of updating or configuring all MAX5813/MAX5814/MAX5815 devices on a given I²C bus. All MAX5813/MAX5814/MAX5815 devices acknowledge and respond to the broadcast device address 00010000. The devices will respond to the broadcast address, regardless of the state of the address pins. The broadcast mode is intended for use in write mode only (as indicated by R/W = 0 in the address given).

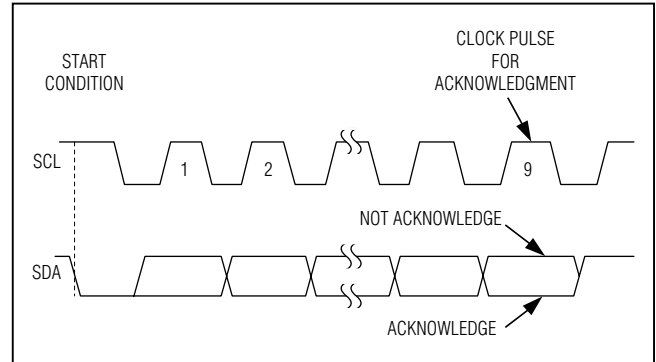


Figure 3. I²C Acknowledge

Table 1. I²C Slave Address LSBs for TSSOP Package

TSSOP PACKAGE (A[6:4] = 001)					
ADDR1	ADDR0	A3	A2	A1	A0
V _{DDIO}	V _{DDIO}	0	0	0	0
V _{DDIO}	N.C.	0	0	1	0
V _{DDIO}	GND	0	0	1	1
N.C.	V _{DDIO}	1	0	0	0
N.C.	N.C.	1	0	1	0
N.C.	GND	1	0	1	1
GND	V _{DDIO}	1	1	0	0
GND	N.C.	1	1	1	0
GND	GND	1	1	1	1

Table 2. I²C Slave Address LSBs for WLP Package

WLP PACKAGE (A[6:2] = 00011)		
ADDR0	A1	A0
V _{DDIO}	0	0
N.C.	1	0
GND	1	1

MAX5813/MAX5814/MAX5815

Ultra-Small, Quad-Channel, 8-/10-/12-Bit Buffered Output DACs with Internal Reference and I²C Interface

I²C Acknowledge

In write mode, the acknowledge bit (ACK) is a clocked 9th bit that the MAX5813/MAX5814/MAX5815 use to handshake receipt of each byte of data as shown in Figure 3. The MAX5813/MAX5814/MAX5815 pull down SDA during the entire master-generated 9th clock pulse if the previous byte is successfully received. Monitoring ACK allows for detection of unsuccessful data transfers. An unsuccessful data transfer occurs if a receiving device is busy or if a system fault has occurred. In the event of an unsuccessful data transfer, the bus master will retry communication.

In read mode, the master pulls down SDA during the 9th clock cycle to acknowledge receipt of data from the MAX5813/MAX5814/MAX5815. An acknowledge is sent by the master after each read byte to allow data transfer to continue. A not-acknowledge is sent when the master reads the final byte of data from the MAX5813/MAX5814/MAX5815, followed by a STOP condition.

I²C Command Byte and Data Bytes

A command byte follows the slave address. A command byte is typically followed by two data bytes unless it is the last byte in the transmission. If data bytes follow the command byte, the command byte indicates the address of the register that is to receive the following two data

bytes. The data bytes are stored in a temporary register and then transferred to the appropriate register during the ACK periods between bytes. This avoids any glitching or digital feedthrough to the DACs while the interface is active.

I²C Write Operations

A master device communicates with the MAX5813/MAX5814/MAX5815 by transmitting the proper slave address followed by command and data words. Each transmit sequence is framed by a START or Repeated START condition and a STOP condition as described above. Each word is 8 bits long and is always followed by an acknowledge clock (ACK) pulse as shown in Figure 4 and Figure 5. The first byte contains the address of the MAX5813/MAX5814/MAX5815 with $R\bar{W} = 0$ to indicate a write. The second byte contains the register (or command) to be written and the third and fourth bytes contain the data to be written. By repeating the register address plus data pairs (Byte #2 through Byte #4 in Figure 4 and Figure 5), the user can perform multiple register writes using a single I²C command sequence. There is no limit as to how many registers the user can write with a single command. The MAX5813/MAX5814/MAX5815 support this capability for all user-accessible write mode commands.

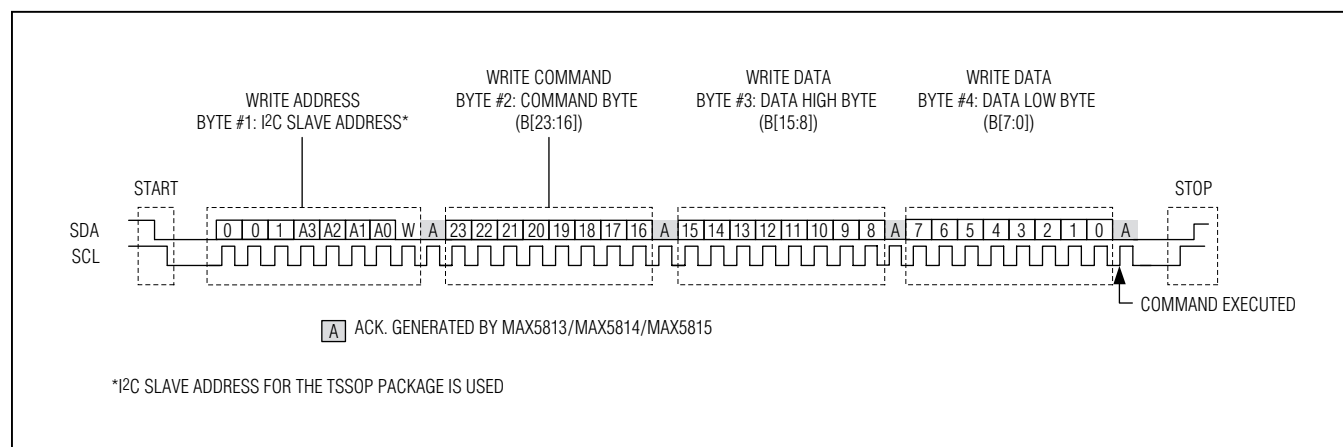


Figure 4. I²C Single Register Write Sequence

MAX5813/MAX5814/MAX5815

Ultra-Small, Quad-Channel, 8-/10-/12-Bit Buffered Output DACs with Internal Reference and I²C Interface

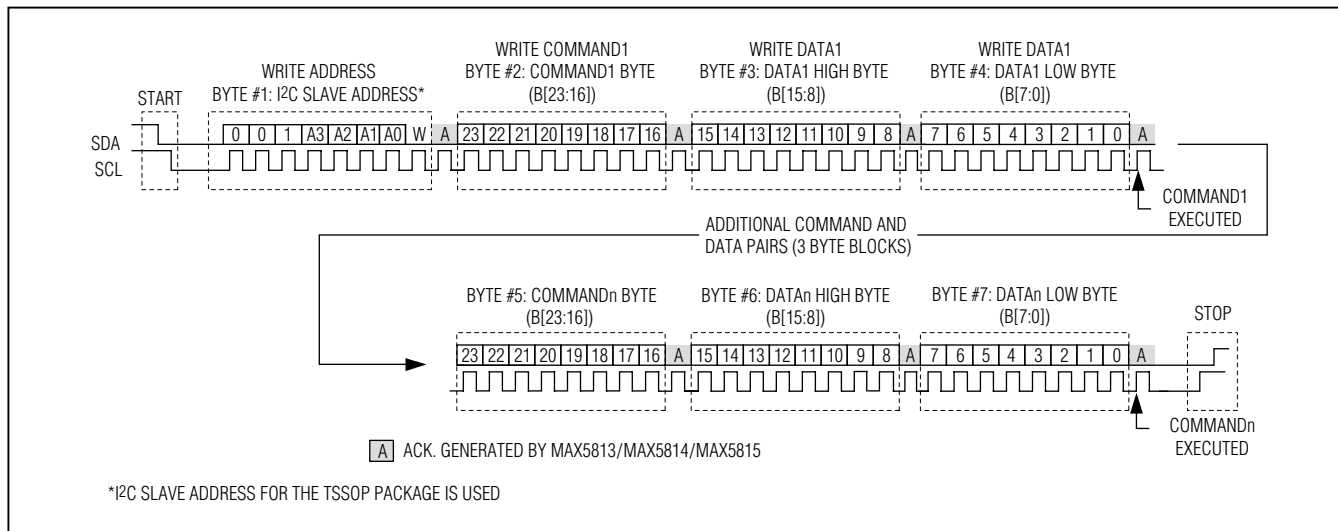


Figure 5. Multiple Register Write Sequence (Standard I²C Protocol)

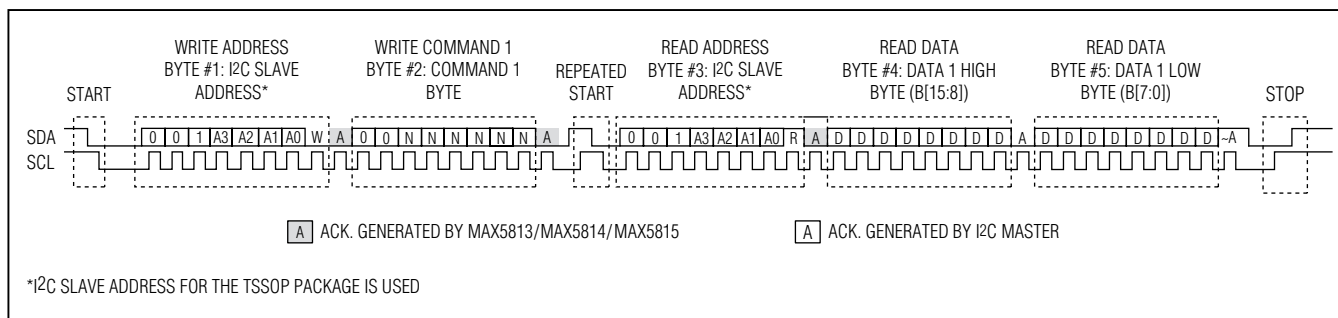


Figure 6. Standard I²C Register Read Sequence

Combined Format I²C Readback Operations

Each readback sequence is framed by a START or Repeated START condition and a STOP condition. Each word is 8 bits long and is followed by an acknowledge clock pulse as shown in Figure 6. The first byte contains the address of the MAX5813/MAX5814/MAX5815 with $R/\overline{W} = 0$ to indicate a write. The second byte contains the register that is to be read back. There is a Repeated START condition, followed by the device address with $R/\overline{W} = 1$ to indicate a read and an acknowledge clock. The master has control of the SCL line but the MAX5813/MAX5814/MAX5815 take over the SDA line. The final two bytes in the frame contain the register data readback followed by a STOP condition. If additional bytes beyond those required to readback the requested data are provided, the MAX5813/MAX5814/MAX5815 will continue to readback ones.

Readback of individual CODE registers is supported for the CODE command ($B[23:20] = 0000$). For this command, which supports a DAC address, the requested channel CODE register content will be returned; if all DACs are selected, CODEA content will be returned.

Readback of individual DAC registers is supported for all LOAD commands ($B[23:20] = 0001, 0010, \text{ or } 0011$). For these commands, which support a DAC address, the requested DAC register content will be returned. If all DACs are selected, DACA content will be returned.

Modified readback of the POWER register is supported for the POWER command ($B[23:20] = 0100$). The power status of each DAC is reported in locations $B[3:0]$, with a 1 indicating the DAC is powered down and a 0 indicating the DAC is operational (see Table 3).

MAX5813/MAX5814/MAX5815

Ultra-Small, Quad-Channel, 8-/10-/12-Bit Buffered Output DACs with Internal Reference and I²C Interface

Readback of all other registers is not directly supported. All requests to read unsupported registers reads back the device's reference status and the device ID and revision information in the format as shown in [Table 3](#).

Interface Verification I²C Readback Operations

While the MAX5813/MAX5814/MAX5815 support standard I²C readback of selected registers, it is also capable of functioning in an interface verification mode. This mode is accessed any time a readback operation follows an executed write mode command. In this mode, the last executed three-byte command is read back in its entirety. This behavior allows verification of the interface.

Sample command sequences are shown in [Figure 7](#). The first command transfer is given in write mode with R/W = 0 and must be run to completion to qualify for interface verification readback. There is now a STOP/START pair or Repeated START condition required, followed by the readback transfer with R/W = 1 to indicate a read and an acknowledge clock from the MAX5813/

MAX5814/MAX5815. The master still has control of the SCL line but the MAX5813/MAX5814/MAX5815 take over the SDA line. The final three bytes in the frame contain the command and register data written in the first transfer presented for readback, followed by a STOP condition. If additional bytes beyond those required to read back the requested data are provided, the MAX5813/MAX5814/MAX5815 will continue to read back ones.

It is not necessary for the write and read mode transfers to occur immediately in sequence. I²C transfers involving other devices do not impact the MAX5813/MAX5814/MAX5815 readback mode. Toggling between readback modes is based on the length of the preceding write mode transfer. Combined format I²C readback operation is resumed if a write command greater than two bytes but less than four bytes is supplied. For commands written using multiple register write sequences, only the last command executed is read back. For each command written, the readback sequence can only be completed one time; partial and/or multiple attempts to readback executed in succession will not yield usable data.

Table 3. Standard I²C User Readback Data

COMMAND BYTE (REQUEST)								READBACK DATA HIGH BYTE								READBACK DATA LOW BYTE							
B23	B22	B21	B20	B19	B18	B17	B16	B15	B14	B13	B12	B11	B10	B9	B8	B7	B6	B5	B4	B3	B2	B1	B0
0	0	0	0	DAC selection				CODEn[11:4]								CODEn[3:0]				0	0	0	0
0	0	0	1	DAC selection				DACn[11:4]								DACn[3:0]				0	0	0	0
0	0	1	0	DAC selection				DACn[11:4]								DACn[3:0]				0	0	0	0
0	0	1	1	DAC selection				DACn[11:4]								DACn[3:0]				0	0	0	0
0	1	0	0	0	0	X	X	0	0	0	0	0	0	0	0	0	0	0	0	PWD	PWC	PWB	PWA
1	0	0	0	0	0	0	0	CODEA[11:4]								CODEA[3:0]				0	0	0	0
1	0	0	0	0	0	0	1	DACA[11:4]								DACA[3:0]				0	0	0	0
1	0	1	0	0	0	1	0	DACA[11:4]								DACA[3:0]				0	0	0	0
1	0	1	1	0	0	1	1	DACA[11:4]								DACA[3:0]				0	0	0	0
Any other command (TSSOP)								1111 1000								000				REV_ID[2:0]		REF MODE	
Any other command (WLP)								1001 1000								000				(010)		RF[1:0]	

Table 4. Format DAC Data Bit Positions

PART	B15	B14	B13	B12	B11	B10	B9	B8	B7	B6	B5	B4	B3	B2	B1	B0
MAX5813	D7	D6	D5	D4	D3	D2	D1	D0	x	x	x	x	x	x	x	x
MAX5814	D9	D8	D7	D6	D5	D4	D3	D2	D1	D0	x	x	x	x	x	x
MAX5815	D11	D10	D9	D8	D7	D6	D5	D4	D3	D2	D1	D0	x	x	x	x

MAX5813/MAX5814/MAX5815

Ultra-Small, Quad-Channel, 8-/10-/12-Bit Buffered Output DACs with Internal Reference and I²C Interface

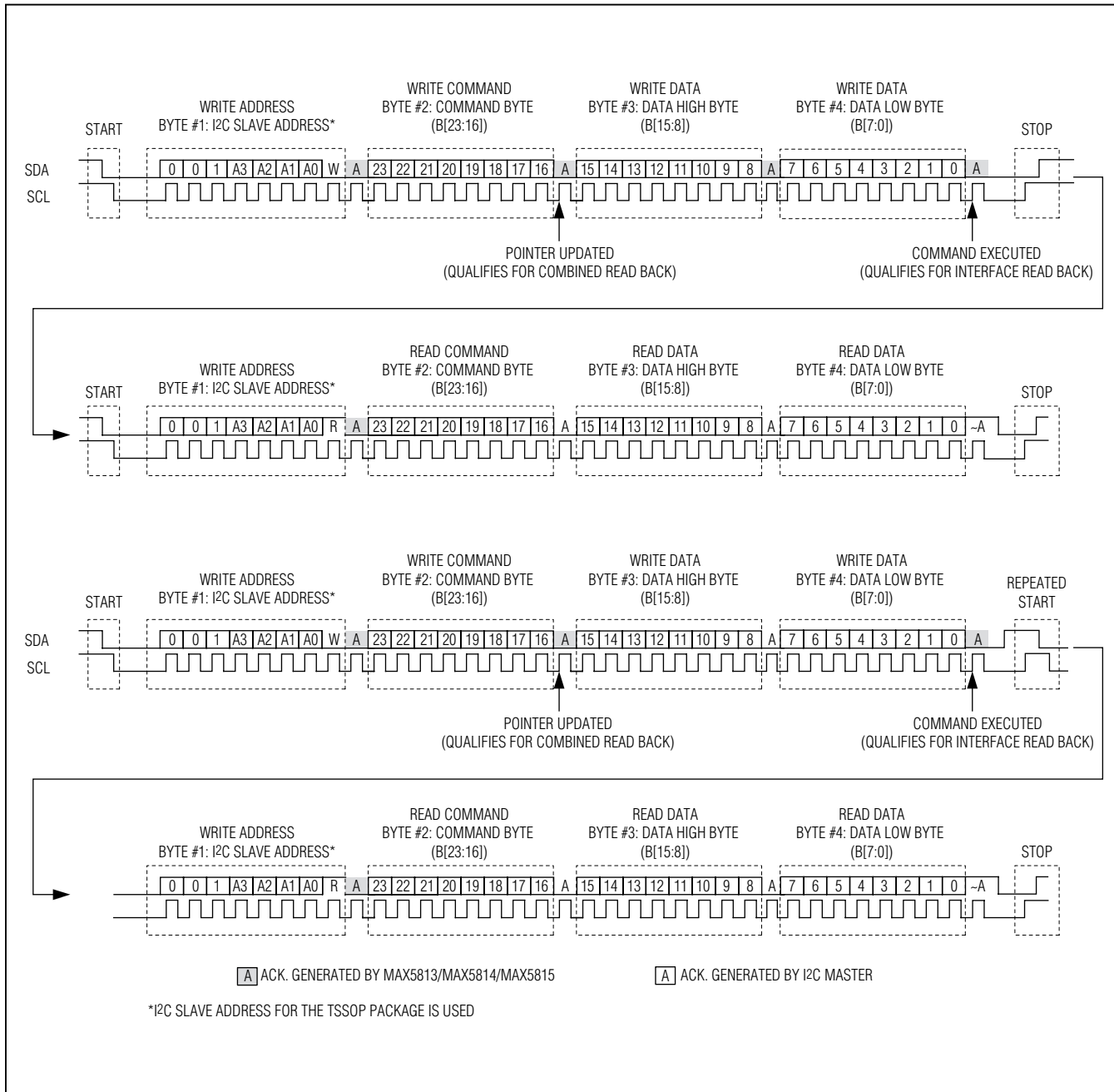


Figure 7. Interface Verification I²C Register Read Sequences

MAX5813/MAX5814/MAX5815

Ultra-Small, Quad-Channel, 8-/10-/12-Bit Buffered Output DACs with Internal Reference and I²C Interface

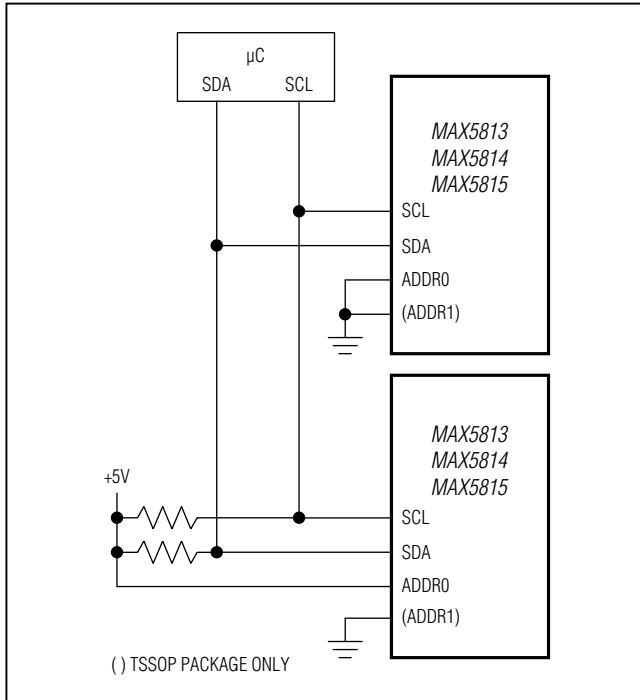


Figure 8. Typical I²C Application Circuit

I²C Compatibility

The MAX5813/MAX5814/MAX5815 are fully compatible with existing I²C systems. SCL and SDA are high-impedance inputs; SDA has an open drain which pulls the data line low to transmit data or ACK pulses. [Figure 8](#) shows a typical I²C application.

I²C User-Command Register Map

This section lists the user accessible commands and registers for the MAX5813/MAX5814/MAX5815.

[Table 5](#) provides detailed information about the Command Registers.

CODEn Command

The CODEn command (B[23:20] = 0000) updates the CODE register contents for the selected DAC(s). Changes to the CODE register content based on this command will not affect DAC outputs directly unless the $\overline{\text{LDAC}}$ is in a low state or the DAC latch has been configured to be transparent. Issuing the CODEn command with DAC SELECTION = ALL DACs is equivalent to CODE_ALL (B[23:16] = 10000000). See [Table 5](#) and [Table 6](#).

LOADn Command

The LOADn command (B[23:20] = 0001) updates the DAC register content for the selected DAC(s) by uploading the current contents of the CODE register. The LOADn command can be used with DAC SELECTION = ALL DACs to issue a software load for all DACs, which is equivalent to the LOAD_ALL (B[23:16] = 10000001) command. See [Table 5](#) and [Table 6](#).

CODEn_LOAD_ALL Command

The CODEn_LOAD_ALL command (B[23:20] = 0010) updates the CODE register contents for the selected DAC(s) as well as the DAC register content of all DACs. Channels for which the CODE register content has not been modified since the last load to DAC register or $\overline{\text{LDAC}}$ operation will not be updated to reduce digital crosstalk. Issuing this command with DAC_ADDRESS = ALL is equivalent to the CODE_ALL_LOAD_ALL command. The CODEn_LOAD_ALL command by definition will modify at least one CODE register. To avoid this, use the LOADn command with DAC SELECTION = ALL DACs or use the LOAD_ALL command. See [Table 5](#) and [Table 6](#).

CODEn_LOADn Command

The CODEn_LOADn command (B[23:20] = 0011) updates the CODE register contents for the selected DAC(s) as well as the DAC register content of the selected DAC(s). Channels for which the CODE register content has not been modified since the last load to DAC register or $\overline{\text{LDAC}}$ operation will not be updated to reduce digital crosstalk. Issuing this command with DAC SELECTION = ALL DACs is equivalent to the CODE_ALL_LOAD_ALL command. See [Table 5](#) and [Table 6](#).

CODE_ALL Command

The CODE_ALL command (B[23:16] = 10000000) updates the CODE register contents for all DACs. See [Table 5](#).

LOAD_ALL Command

The LOAD_ALL command (B[23:16] = 10000001) updates the DAC register content for all DACs by uploading the current contents of the CODE registers. See [Table 5](#).

CODE_ALL_LOAD_ALL Command

The CODE_ALL_LOAD_ALL command (B[23:16] = 1000001x) updates the CODE register contents for all DACs as well as the DAC register content of all DACs. See [Table 5](#).

MAX5813/MAX5814/MAX5815

Ultra-Small, Quad-Channel, 8-/10-/12-Bit Buffered Output DACs with Internal Reference and I²C Interface

Table 5. I²C Commands Summary

COMMAND	B23	B22	B21	B20	B19	B18	B17	B16	B15	B14	B13	B12	B11	B10	B9	B8	B7	B6	B5	B4	B3	B2	B1	B0	DESCRIPTION		
DAC COMMANDS																											
CODEn	0	0	0	0	0	0	0	DAC SELECTION			CODE REGISTER DATA [11:4]						CODE REGISTER DATA [3:0]				X	X	X	X	X	X	Writes data to the selected CODE register(s)
LOADn	0	0	0	1	0	0	0	DAC SELECTION	X	X	X	X	X	X	X	X	X	X	X	X	X	X	X	X	X	Transfers data from the selected CODE register(s) to the selected DAC register(s)	
CODEn_LOAD_ALL	0	0	0	1	0	0	0	DAC SELECTION			CODE REGISTER DATA [11:4]						CODE REGISTER DATA [3:0]				X	X	X	X	X	X	Simultaneously writes data to the selected CODE register(s) while updating all DAC registers
CODEn_LOADn	0	0	0	1	1	0	0	DAC SELECTION			CODE REGISTER DATA [11:4]						CODE REGISTER DATA [3:0]				X	X	X	X	X	X	Simultaneously writes data to the selected CODE register(s) while updating selected DAC register(s)
CONFIGURATION COMMANDS																											
POWER	0	1	0	0	0	0	0	0	X	X	X	X	DAC D	DAC C	DAC B	DAC A	X	X	X	X	X	X	X	X	X	Sets the power mode of the selected DACs (DACs selected with a 1 in the corresponding DACn bit are updated, DACs with a 0 in the corresponding DACn bit are not impacted)	
SW_CLEAR	0	1	0	1	0	0	0	0	X	X	X	X	X	X	X	X	X	X	X	X	X	X	X	X	X	Executes a software clear (all CODE and DAC registers cleared to their default values)	
SW_RESET	0	1	0	1	0	0	0	1	X	X	X	X	X	X	X	X	X	X	X	X	X	X	X	X	X	Executes a software reset (all CODE, DAC, and control registers returned to their default values)	

MAX5813/MAX5814/MAX5815

Ultra-Small, Quad-Channel, 8-/10-/12-Bit Buffered Output DACs with Internal Reference and I²C Interface

Table 5. I²C Commands Summary (continued)

COMMAND	B23	B22	B21	B20	B19	B18	B17	B16	B15	B14	B13	B12	B11	B10	B9	B8	B7	B6	B5	B4	B3	B2	B1	B0	DESCRIPTION
CONFIG	0	1	1	0	All DACs	0	0	LD_EN	X	X	X	X	DAC D	DAC C	DAC B	DAC A	X	X	X	X	X	X	X	X	Sets the DAC Latch Mode of the selected DACs. Only DACs with a 1 in the selection bit are updated by the command. LD_EN = 0: DAC latch is operational (LOAD and LDAC controlled) LD_EN = 1: DAC latch is transparent
REF	0	1	1	1	0	REF Power	REF Mode		X	X	X	X	X	X	X	X	X	X	X	X	X	X	X	X	Sets the reference operating mode. REF Power (B18): 0 = Internal reference is only powered if at least one DAC is powered 1 = Internal reference is always powered
ALL DAC COMMANDS																									
CODE_ALL	1	0	0	0	0	0	0	0	0	CODE REGISTER DATA [1:4]				CODE REGISTER DATA [3:0]				Writes data to all CODE registers							
LOAD_ALL	1	0	0	0	0	0	1	0	1	X	X	X	X	X	X	X	X	X	X	X	X	X	X	X	Updates all DAC latches with current CODE register data
CODE_ALL_LOAD_ALL	1	0	0	0	0	0	1	X	0	CODE REGISTER DATA [1:4]				CODE REGISTER DATA [3:0]				Simultaneously writes data to all CODE registers while updating all DAC registers							
NO OPERATION COMMANDS																									
No Operation	1	0	0	1	X	X	X	X	X	X	X	X	X	X	X	X	X	X	X	X	X	X	X	X	These commands will have no effect on the device
Reserved Commands: Any commands not specifically listed above are reserved for Maxim internal use only.																									

MAX5813/MAX5814/MAX5815

Ultra-Small, Quad-Channel, 8-/10-/12-Bit Buffered Output DACs with Internal Reference and I²C Interface

Table 6. DAC Selection

B19	B18	B17	B16	DAC SELECTED
0	0	0	0	DAC A
0	0	0	1	DAC B
0	0	1	0	DAC C
0	0	1	1	DAC D
X	1	X	X	ALL DACs
1	X	X	X	ALL DACs

POWER Command

The MAX5813/MAX5814/MAX5815 feature a software-controlled power-mode (POWER) command (B[23:20] = 0100). The POWER command updates the power-mode settings of the selected DACs while the power settings of the rest of the DACs remain unchanged. The new power setting is determined by bits B[17:16] while the affected DAC(s) are selected by bits B[11:8]. If all DACs are powered down, the device enters a STANDBY mode.

In power-down, the DAC output is disconnected from the buffer and is grounded with either one of the two selectable internal resistors or set to high impedance. See [Table 8](#) for the selectable internal resistor values in power-down mode. In power-down mode, the DAC register retains its value so that the output is restored when the device pow-

ers up. The serial interface remains active in power-down mode.

In STANDBY mode, the internal reference can be powered down or it can be set to remain powered-on for external use. Also, in STANDBY mode, devices using the external reference do not load the REF pin. See [Table 7](#).

SW_RESET and SW_CLEAR Command

The SW_RESET (B[23:16] = 01010001) and SW_CLEAR (B[23:16] = 01010000) commands provide a means of issuing a software reset or software clear operation. Use SW_CLEAR to issue a software clear operation to return all CODE and DAC registers to the zero-scale value. Use SW_RESET to reset all CODE, DAC, and configuration registers to their default values.

Table 7. POWER (100) Command Format

B23	B22	B21	B20	B19	B18	B17	B16	B15	B14	B13	B12	B11	B10	B9	B8	B7	B6	B5	B4	B3	B2	B1	B0
0	1	0	0	0	0	PD1	PD0	X	X	X	X	D	C	B	A	X	X	X	X	X	X	X	X
POWER Command						Power Mode: 00 = Normal 01 = 1kΩ 10 = 100kΩ 11 = Hi-Z	Don't Care				DAC Select: 1 = DAC Selected 0 = DAC Not Selected				Don't Care								
Default Values (all DACs) →						0	0	X	X	X	X	1	1	1	1	X	X	X	X	X	X	X	X

Table 8. Selectable DAC Output Impedance in Power-Down Mode

PD1 (B17)	PD0 (B16)	OPERATING MODE
0	0	Normal operation
0	1	Power-down with internal 1kΩ pulldown resistor to GND.
1	0	Power-down with internal 100kΩ pulldown resistor to GND.
1	1	Power-down with high-impedance output.

MAX5813/MAX5814/MAX5815

Ultra-Small, Quad-Channel, 8-/10-/12-Bit Buffered Output DACs with Internal Reference and I²C Interface

CONFIG Command

The CONFIG command (B[23:20] = 0110) updates the LDAC and LOAD functions of selected DACs. Issue the command with B16 = 0 to allow the DAC latches to operate normally or with B16 = 1 to disable the DAC latches, making them perpetually transparent. Mode settings of the selected DACs are updated while the mode settings of the rest of the DACs remain unchanged; DAC(s) are selected by bits B[11:8]. See [Table 9](#).

REF Command

The REF command updates the global reference setting used for all DAC channels. Set B[17:16] = 00 to use an external reference for the DACs or set B[17:16] to 01, 10,

or 11 to select either the 2.5V, 2.048V, or 4.096V internal reference, respectively.

If RF2 (B18) is set to zero (default) in the REF command, the reference will be powered down any time all DAC channels are powered down (in STANDBY mode). If RF2 (B18 = 1) is set to one, the reference will remain powered even if all DAC channels are powered down, allowing continued operation of external circuitry. In this mode, the 1 μ A shutdown state is not available. See [Table 10](#).

Table 9. CONFIG Command Format

B23	B22	B21	B20	B19	B18	B17	B16	B15	B14	B13	B12	B11	B10	B9	B8	B7	B6	B5	B4	B3	B2	B1	B0	
0	1	1	0	All	0	0	LDB	X	X	X	X	D	C	B	A	X	X	X	X	X	X	X	X	
CONFIG Command				0 = Select Individual DACs 1 = Select All DACs	CONFIG Command			0 = Normal 1 = Transparent	Don't Care				DAC Select: 1 = DAC Selected 0 = DAC Not Selected				Don't Care							
Default Values (All DACs) →							0	X	X	X	X	1	1	1	1	X	X	X	X	X	X	X	X	X

Table 10. REF Command Format

B23	B22	B21	B20	B19	B18	B17	B16	B15	B14	B13	B12	B11	B10	B9	B8	B7	B6	B5	B4	B3	B2	B1	B0	
0	1	1	1	0	RF2	RF1	RF0	X	X	X	X	X	X	X	X	X	X	X	X	X	X	X	X	
REF Command					0 = Off in Standby 1 = On in Standby	REF Mode: 00 = EXT 01 = 2.5V 10 = 2.0V 11 = 4.0V			Don't Care								Don't Care							
Default Values →					0	0	0	X	X	X	X	X	X	X	X	X	X	X	X	X	X	X	X	

MAX5813/MAX5814/MAX5815

Ultra-Small, Quad-Channel, 8-/10-/12-Bit Buffered Output DACs with Internal Reference and I²C Interface

Applications Information

Power-On Reset (POR)

When power is applied to V_{DD} and V_{DDIO} , the DAC output is set to zero scale. To optimize DAC linearity, wait until the supplies have settled and the internal setup and calibration sequence completes (200 μ s, typ).

Power Supplies and Bypassing Considerations

Bypass V_{DD} and V_{DDIO} with high-quality ceramic capacitors to a low-impedance ground as close as possible to the device. Minimize lead lengths to reduce lead inductance. Connect the GND to the analog ground plane.

Layout Considerations

Digital and AC transient signals on GND can create noise at the output. Connect GND to form the star ground for the DAC system. Refer remote DAC loads to this system ground for the best possible performance. Use proper grounding techniques, such as a multilayer board with a low-inductance ground plane, or star connect all ground return paths back to the MAX5813/MAX5814/MAX5815 GND. Carefully layout the traces between channels to reduce AC cross-coupling. Do not use wire-wrapped boards and sockets. Use shielding to minimize noise immunity. Do not run analog and digital signals parallel to one another, especially clock signals. Avoid routing digital lines underneath the MAX5813/MAX5814/MAX5815 package.

Definitions

Integral Nonlinearity (INL)

INL is the deviation of the measured transfer function from a straight line drawn between two codes once offset and gain errors have been nullified.

Differential Nonlinearity (DNL)

DNL is the difference between an actual step height and the ideal value of 1 LSB. If the magnitude of the $DNL \leq 1$ LSB, the DAC guarantees no missing codes and is monotonic. If the magnitude of the $DNL \geq 1$ LSB, the DAC output may still be monotonic.

Offset Error

Offset error indicates how well the actual transfer function matches the ideal transfer function. The offset error is calculated from two measurements near zero code and near maximum code.

Gain Error

Gain error is the difference between the ideal and the actual full-scale output voltage on the transfer curve, after nullifying the offset error. This error alters the slope of the transfer function and corresponds to the same percentage error in each step.

Zero-Scale Error

Zero-scale error is the difference between the DAC output voltage when set to code zero and ground. This includes offset and other die level nonidealities.

Full-Scale Error

Full-scale error is the difference between the DAC output voltage when set to full scale and the reference voltage. This includes offset, gain error, and other die level nonidealities.

Settling Time

The settling time is the amount of time required from the start of a transition, until the DAC output settles to the new output value within the converter's specified accuracy.

Digital Feedthrough

Digital feedthrough is the amount of noise that appears on the DAC output when the DAC digital control lines are toggled.

Digital-to-Analog Glitch Impulse

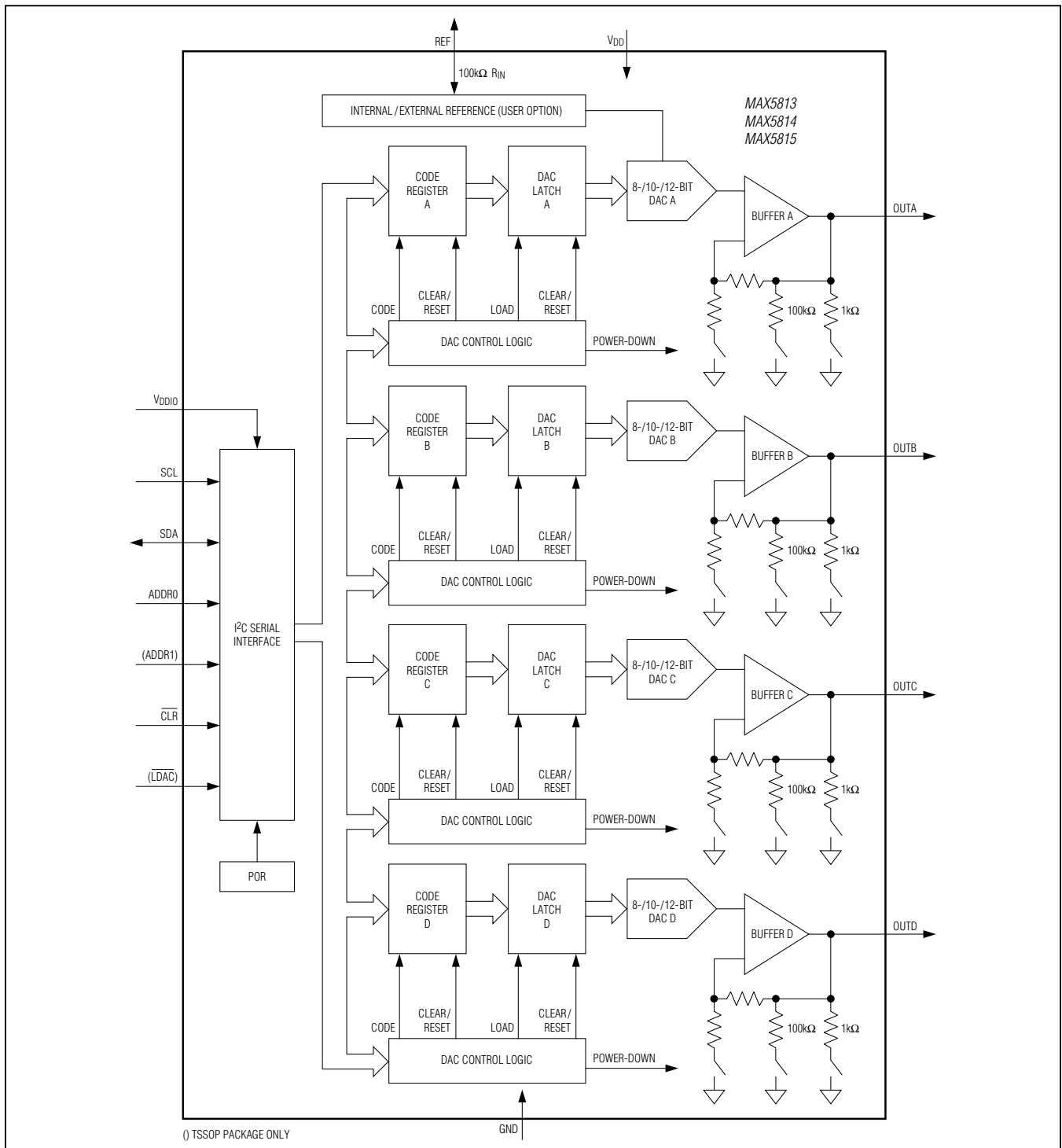
A major carry transition occurs at the midscale point where the MSB changes from low to high and all other bits change from high to low, or where the MSB changes from high to low and all other bits change from low to high. The duration of the magnitude of the switching glitch during a major carry transition is referred to as the digital-to-analog glitch impulse.

The digital-to-analog power-up glitch is the duration of the magnitude of the switching glitch that occurs as the device exits power-down mode.

MAX5813/MAX5814/MAX5815

Ultra-Small, Quad-Channel, 8-/10-/12-Bit Buffered Output DACs with Internal Reference and I²C Interface

Detailed Functional Diagram



MAX5813/MAX5814/MAX5815

Ultra-Small, Quad-Channel, 8-/10-/12-Bit Buffered Output DACs with Internal Reference and I²C Interface

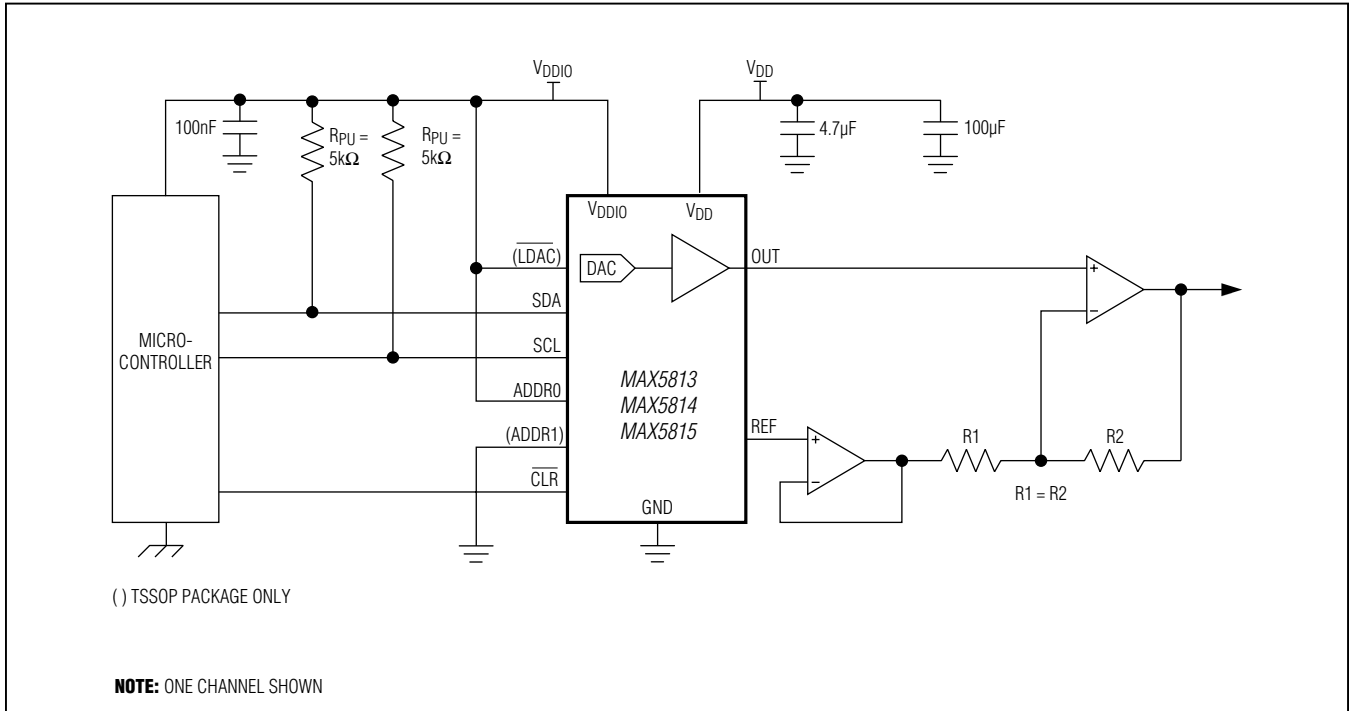
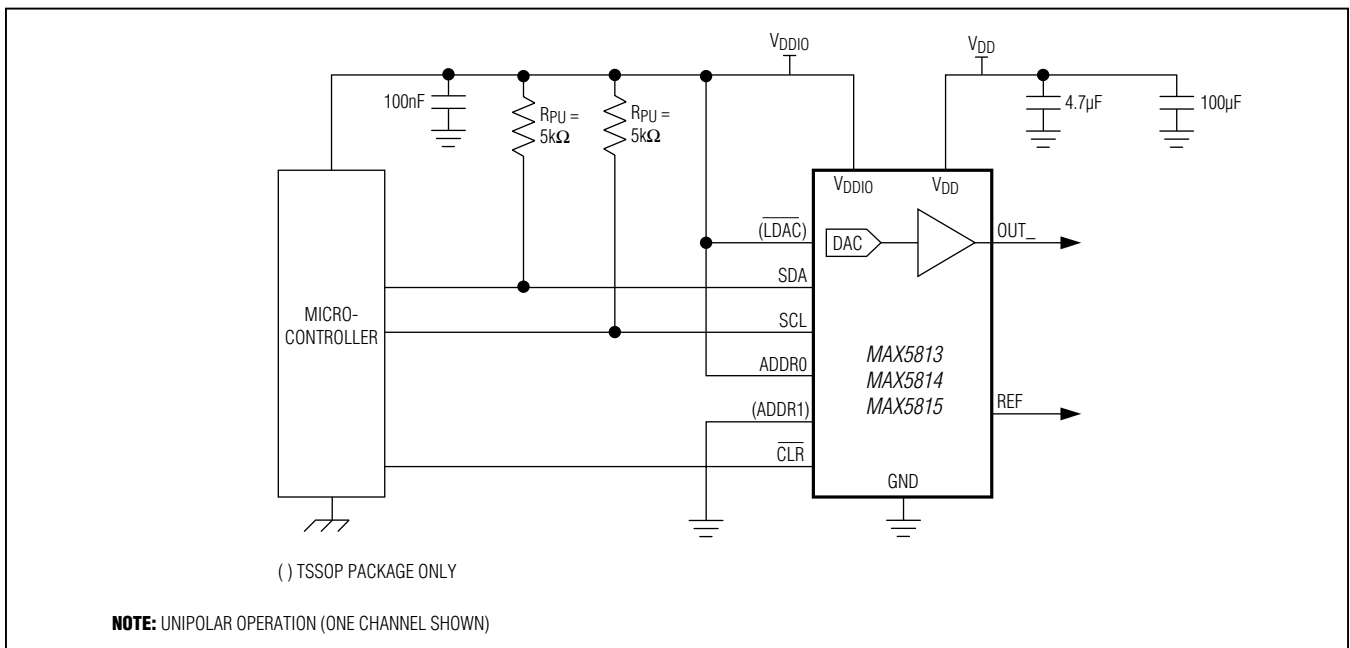


Figure 9. Bipolar Operating Circuit

Typical Operating Circuit



MAX5813/MAX5814/MAX5815

Ultra-Small, Quad-Channel, 8-/10-/12-Bit Buffered Output DACs with Internal Reference and I²C Interface

Ordering Information

PART	PIN-PACKAGE	RESOLUTION (BIT)	INTERNAL REFERENCE TEMPCO (ppm/°C)
MAX5813AUD+T	14 TSSOP	8	10 (typ)
MAX5814AUD+T	14 TSSOP	10	10 (typ)
MAX5815AAUD+T	14 TSSOP	12	3 (typ), 10 (max)
MAX5815BAUD+T	14 TSSOP	12	10 (typ)
MAX5815AWC+T	12 WLP	12	3 (typ), 10 (max)

Note: All devices are specified over the -40°C to +125°C temperature range.
+Denotes a lead(Pb)-free/RoHS-compliant package.
T = Tape and reel.

Chip Information

PROCESS: BiCMOS

Package Information

For the latest package outline information and land patterns (footprints), go to www.maximintegrated.com/packages. Note that a "+", "#", or "-" in the package code indicates RoHS status only. Package drawings may show a different suffix character, but the drawing pertains to the package regardless of RoHS status.

PACKAGE TYPE	PACKAGE CODE	OUTLINE NO.	LAND PATTERN NO.
14 TSSOP	U14+1	21-0066	90-0113
12 WLP	W121B2+1	21-0009	Refer to Application Note 1891

MAX5813/MAX5814/MAX5815

Ultra-Small, Quad-Channel, 8-/10-/12-Bit Buffered Output DACs with Internal Reference and I²C Interface

Revision History

REVISION NUMBER	REVISION DATE	DESCRIPTION	PAGES CHANGED
0	2/12	Initial release	—
1	6/12	Revised the <i>Electrical Characteristics</i> and <i>Typical Operating Characteristics</i> .	3, 5, 9, 12
2	11/12	Revised the <i>Electrical Characteristics</i> , <i>Typical Operating Characteristics</i> , <i>Ordering Information</i> , <i>Figure 9</i> , and <i>Typical Operating Circuit</i> .	7, 8, 9, 11, 12, 25, 26, 28, 29
3	1/13	Updated the <i>Electrical Characteristics</i> and the <i>Ordering Information</i> .	7, 29
4	6/13	Updated the <i>Electrical Characteristics</i> , <i>Pin/Bump Configurations</i> , and the <i>Ordering Information</i> .	6, 7, 14, 26



Maxim Integrated cannot assume responsibility for use of any circuitry other than circuitry entirely embodied in a Maxim Integrated product. No circuit patent licenses are implied. Maxim Integrated reserves the right to change the circuitry and specifications without notice at any time. The parametric values (min and max limits) shown in the Electrical Characteristics table are guaranteed. Other parametric values quoted in this data sheet are provided for guidance.

Maxim Integrated 160 Rio Robles, San Jose, CA 95134 USA 1-408-601-1000

30

Данный компонент на территории Российской Федерации

Вы можете приобрести в компании MosChip.

Для оперативного оформления запроса Вам необходимо перейти по данной ссылке:

<http://moschip.ru/get-element>

Вы можете разместить у нас заказ для любого Вашего проекта, будь то серийное производство или разработка единичного прибора.

В нашем ассортименте представлены ведущие мировые производители активных и пассивных электронных компонентов.

Нашей специализацией является поставка электронной компонентной базы двойного назначения, продукции таких производителей как XILINX, Intel (ex.ALTERA), Vicor, Microchip, Texas Instruments, Analog Devices, Mini-Circuits, Amphenol, Glenair.

Сотрудничество с глобальными дистрибьюторами электронных компонентов, предоставляет возможность заказывать и получать с международных складов практически любой перечень компонентов в оптимальные для Вас сроки.

На всех этапах разработки и производства наши партнеры могут получить квалифицированную поддержку опытных инженеров.

Система менеджмента качества компании отвечает требованиям в соответствии с ГОСТ Р ИСО 9001, ГОСТ РВ 0015-002 и ЭС РД 009

Офис по работе с юридическими лицами:

105318, г.Москва, ул.Щербаковская д.3, офис 1107, 1118, ДЦ «Щербаковский»

Телефон: +7 495 668-12-70 (многоканальный)

Факс: +7 495 668-12-70 (доб.304)

E-mail: info@moschip.ru

Skype отдела продаж:

moschip.ru

moschip.ru_4

moschip.ru_6

moschip.ru_9