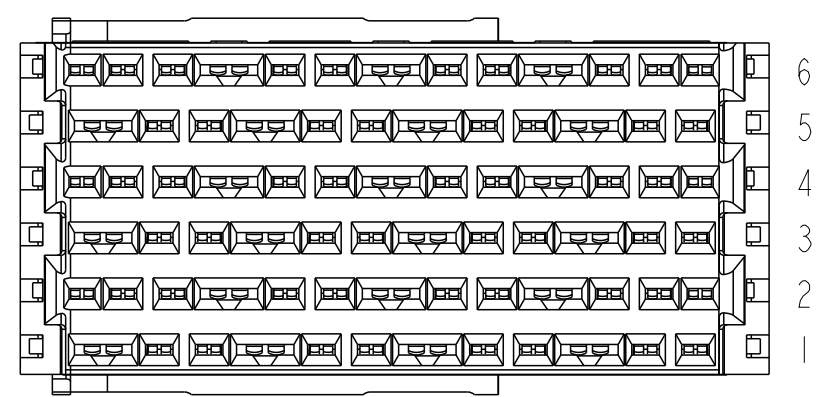
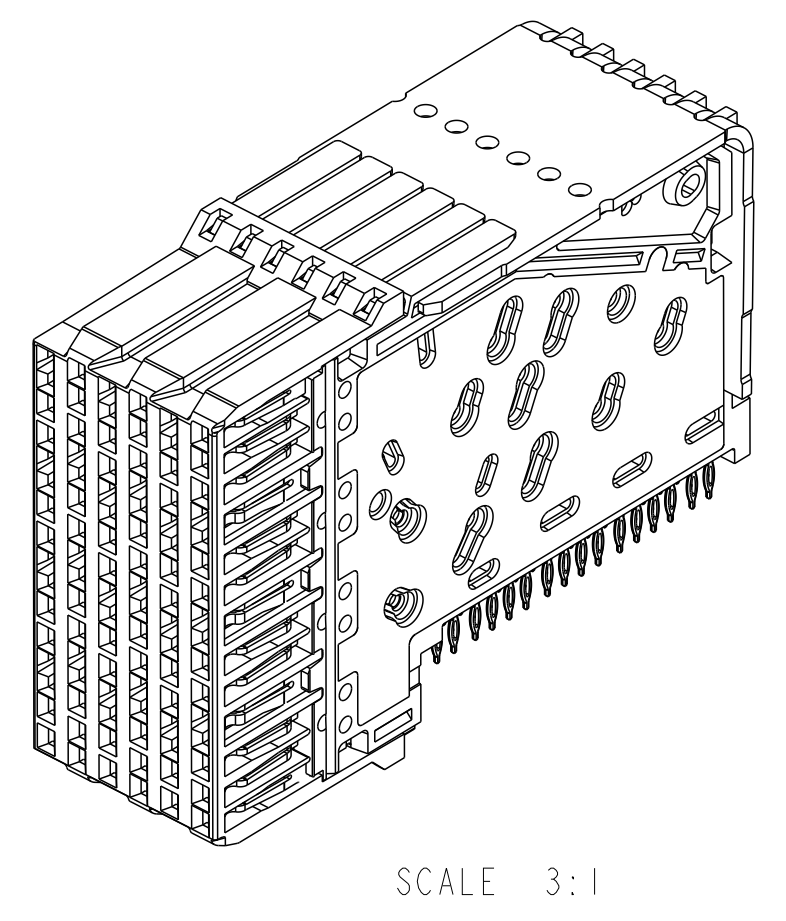
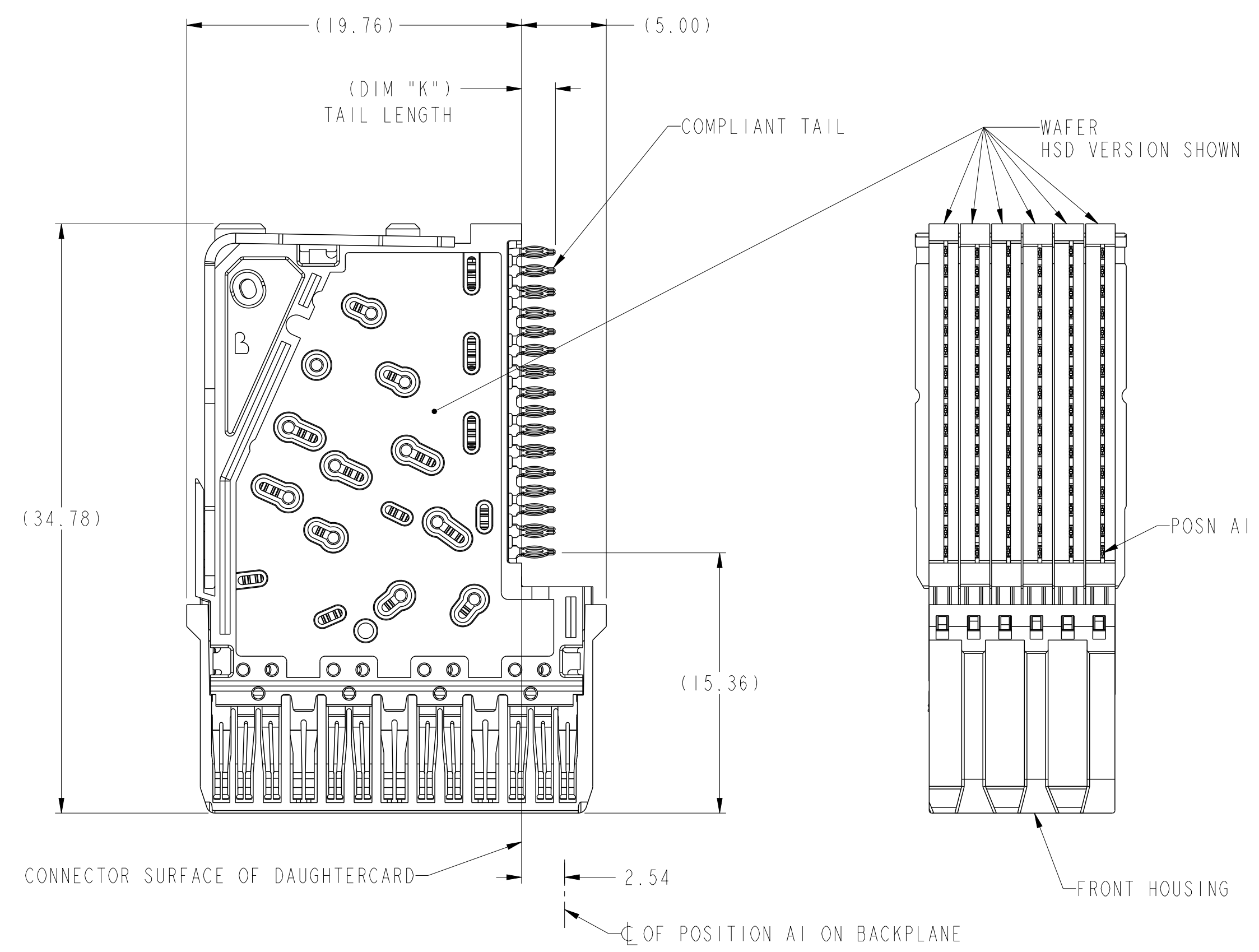
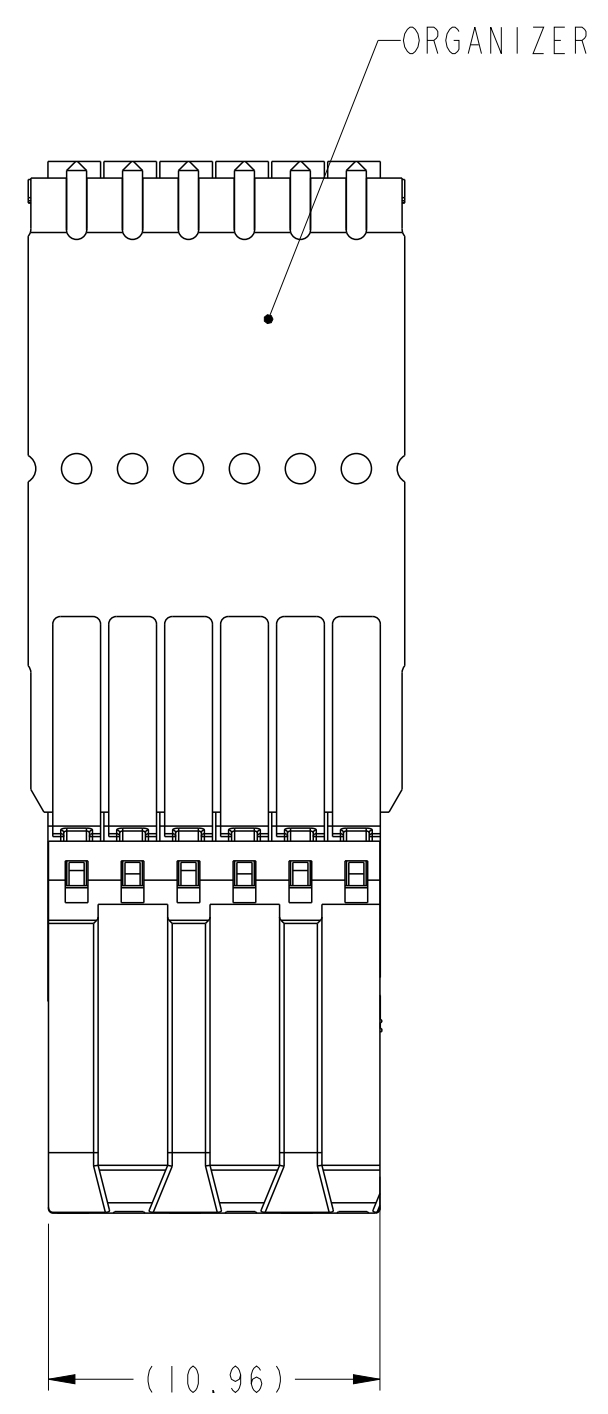


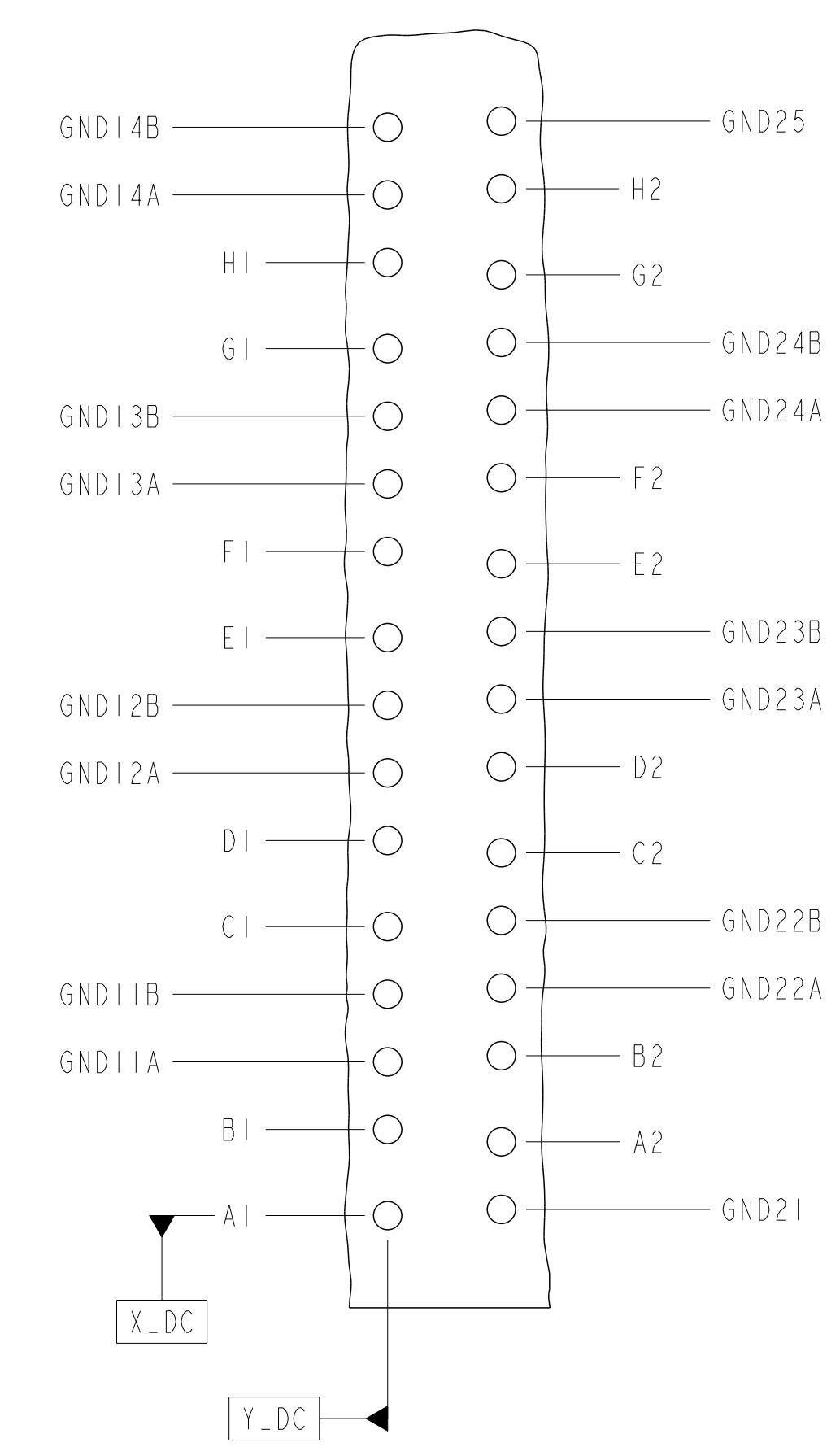
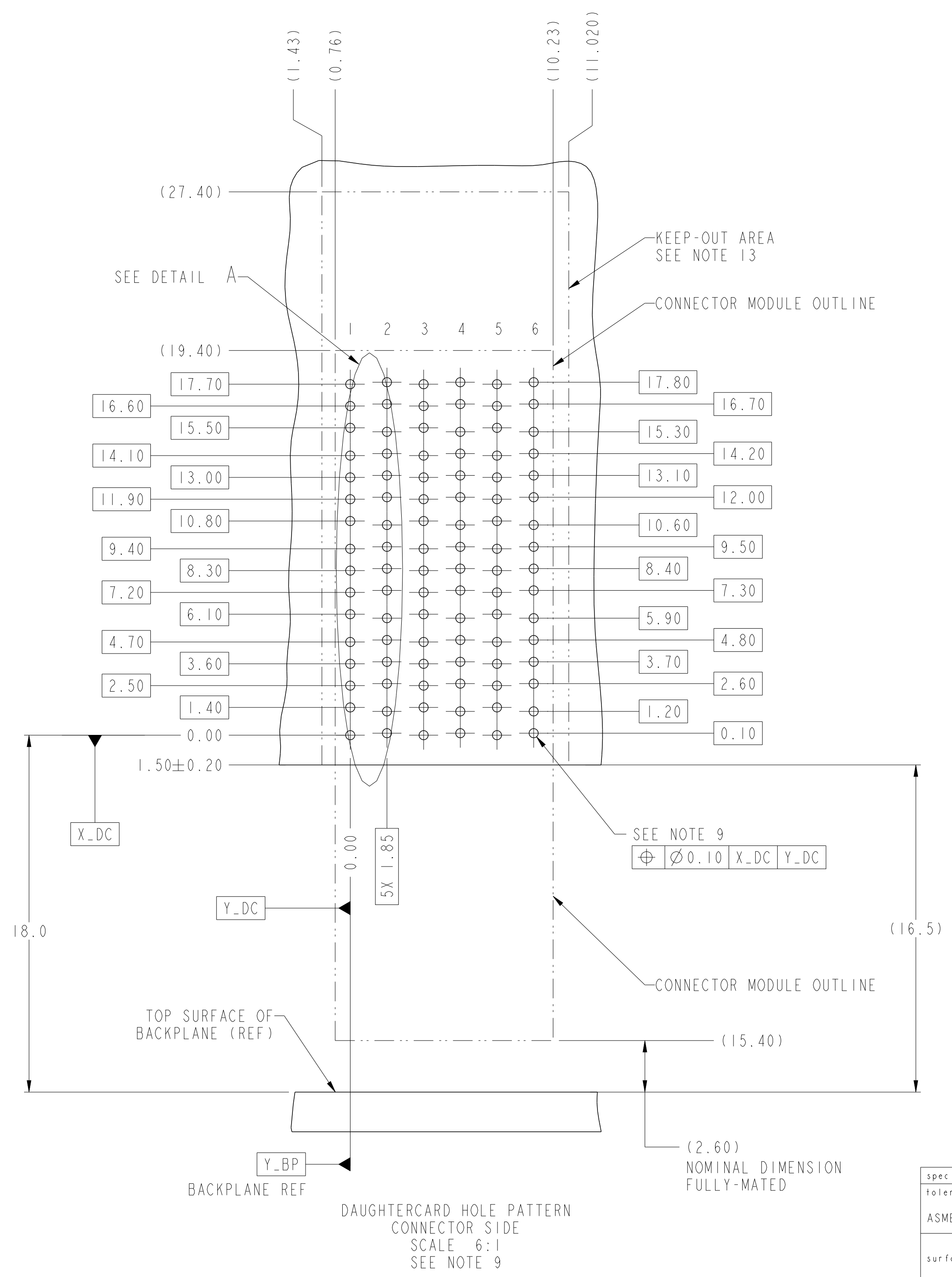
1 2 3 4 5 6 7 8

A  
B  
C  
D  
E  
F



Copyright FCI.  
**FCI**

spec ref	SEE NOTES	dr	Jim Swain	2010/01/22	projection	mm	size	A2	scale	3:1											
tolerance std	TOLERANCES UNLESS OTHERWISE SPECIFIED	eng	Matthew Cheong	2014/06/23			ecn no	ELX-S-18041-1													
ASME Y14.5		chr	-	appr			Chen-Hong Tan	2014/07/04	product family	-	rel lev	CF									
surface	<table border="1"> <tr> <td>linear</td> <td>0.X</td> <td>±</td> </tr> <tr> <td></td> <td>0.XX</td> <td>±</td> </tr> <tr> <td></td> <td>0.XXX</td> <td>±</td> </tr> <tr> <td>angular</td> <td>0°</td> <td>±</td> </tr> </table>	linear	0.X	±		0.XX	±		0.XXX	±	angular	0°	±			title RECEIPT MODULE, RIGHT ANGLE 6-COLUMN, 4-PAIR		dwg no 10091799	rev D	ASME Y14.5	
linear	0.X	±																			
	0.XX	±																			
	0.XXX	±																			
angular	0°	±																			
www.fci.com		cat. no. SEE P/N TABLES		Product - Customer Drw		sheet 1 of 6															



DETAIL A  
 SCALE 10:1  
 HIGH-SPEED DIFFERENTIAL PINOUT  
 SEE NOTE 9

spec ref	SEE NOTES	dr	Jim Swain	2010/01/22	projection	mm	size	A2	scale	3:1											
tolerance std	TOLERANCES UNLESS OTHERWISE SPECIFIED	eng	Matthew Cheong	2014/06/23		mm	ecn no	ELX-S-18041-1	rel rev	Released											
ASME Y14.5		chr	-	appr							Chen-Hong Tan	2014/07/04	product family	-							
surface	<table border="1"> <tr> <td>linear</td> <td>0.X</td> <td>±</td> </tr> <tr> <td></td> <td>0.XX</td> <td>±</td> </tr> <tr> <td></td> <td>0.XXX</td> <td>±</td> </tr> <tr> <td>angular</td> <td>0°</td> <td>±</td> </tr> </table>	linear	0.X	±		0.XX	±		0.XXX	±	angular	0°	±			<b>RECEPT MODULE, RIGHT ANGLE</b> <b>6-COLUMN, 4-PAIR</b>		dwg no	10091799	rev	D
linear	0.X	±																			
	0.XX	±																			
	0.XXX	±																			
angular	0°	±																			
ASME Y14.5		www.fci.com		cat. no.	SEE P/N TABLES	Product - Customer Draw		sheet 2 of 6													

	1	2	3	4	5	6	7	8					
	ASSEMBLY PART NUMBER	LEAD-FREE	MODULE DESCRIPTION AND USAGE NOTES	VERSION	IMPEDANCE	COMPLIANT TAIL STYLE AND PCB DRILL DIAMETER	DIM "K" (TAIL LENGTH)	REMARKS					
A	10091799-101	NO	SEE NOTES 6 & 14	HSD	100Ω	STANDARD 0.57 (.0225")	2.0	TELECORDIA CO					
	10091799-101LF	YES											
	10091799-111	NO	SEE NOTES 6 & 15						TELECORDIA UE				
	10091799-111LF	YES											
	10091799-501	NO											
	B	10091799-501LF	YES					SEE NOTES 6 & 14	HSD	100Ω	MICRO 0.45 (.0177")	1.3	TELECORDIA CO
10091799-511		NO	SEE NOTES 6 & 15	TELECORDIA UE									
10091799-511LF		YES											
10091799-102		NO			SEE NOTES 6 & 14	TELECORDIA CO							
10091799-102LF		YES											
10091799-112		NO	SEE NOTES 6 & 15	TELECORDIA UE									
10091799-112LF	YES												
C	10091799-502	NO			SEE NOTES 6 & 14	HSD	100Ω	MICRO 0.45 (.0177")	1.3	TELECORDIA CO			
	10091799-502LF	YES	SEE NOTES 6 & 15	TELECORDIA UE									
	10091799-512	NO											
	10091799-512LF	YES											
	D	10091799-103	NO	SEE NOTES 6 & 14	LC					100Ω	STANDARD 0.57 (.0225")	2.0	TELECORDIA CO
		10091799-103LF	YES										
10091799-113		NO	SEE NOTES 6 & 15	TELECORDIA UE									
10091799-113LF		YES											
10091799-503		NO				SEE NOTES 6 & 14	TELECORDIA CO						
10091799-503LF		YES											
10091799-513	NO	SEE NOTES 6 & 15	TELECORDIA UE										
10091799-513LF	YES												
E	10091799-104			NO	SEE NOTES 6 & 14	LC	100Ω	MICRO 0.45 (.0177")	1.3	TELECORDIA CO			
	10091799-104LF	YES											
	10091799-114	NO	SEE NOTES 6 & 15	TELECORDIA UE									
	10091799-114LF	YES											
	10091799-504	NO			SEE NOTES 6 & 14					TELECORDIA CO			
	10091799-504LF	YES											
10091799-514	NO	SEE NOTES 6 & 15	TELECORDIA UE										
10091799-514LF	YES												



Copyright FCI.

spec ref	SEE NOTES	dr	Jim Swain	2010/01/22	projection	mm	size	A2	scale	3:1										
tolerance std	ASME Y14.5	eng	Matthew Cheong	2014/06/23			ecn no	ELX-S-18041-1	rel lev	Released										
surface	<table border="1"> <tr> <td>linear</td> <td>0.X</td> <td>±</td> </tr> <tr> <td></td> <td>0.XX</td> <td>±</td> </tr> <tr> <td></td> <td>0.XXX</td> <td>±</td> </tr> <tr> <td>angular</td> <td>0°</td> <td>±</td> </tr> </table>	linear	0.X	±								0.XX	±		0.XXX	±	angular	0°	±	chr
linear	0.X	±																		
	0.XX	±																		
	0.XXX	±																		
angular	0°	±																		
ASME Y14.5	<table border="1"> <tr> <td>linear</td> <td>0.X</td> <td>±</td> </tr> <tr> <td></td> <td>0.XX</td> <td>±</td> </tr> <tr> <td></td> <td>0.XXX</td> <td>±</td> </tr> <tr> <td>angular</td> <td>0°</td> <td>±</td> </tr> </table>	linear	0.X	±		0.XX	±		0.XXX	±	angular	0°	±	appr	Chen-Hong Tan	2014/07/04	product family	-	rel lev	Released
linear	0.X	±																		
	0.XX	±																		
	0.XXX	±																		
angular	0°	±																		
				title RECEIPT MODULE, RIGHT ANGLE 6-COLUMN, 4-PAIR		dwg no 10091799		rev D												
		www.fci.com		cat. no.		SEE P/N TABLES		Product - Customer Drw		sheet 3 of 6										

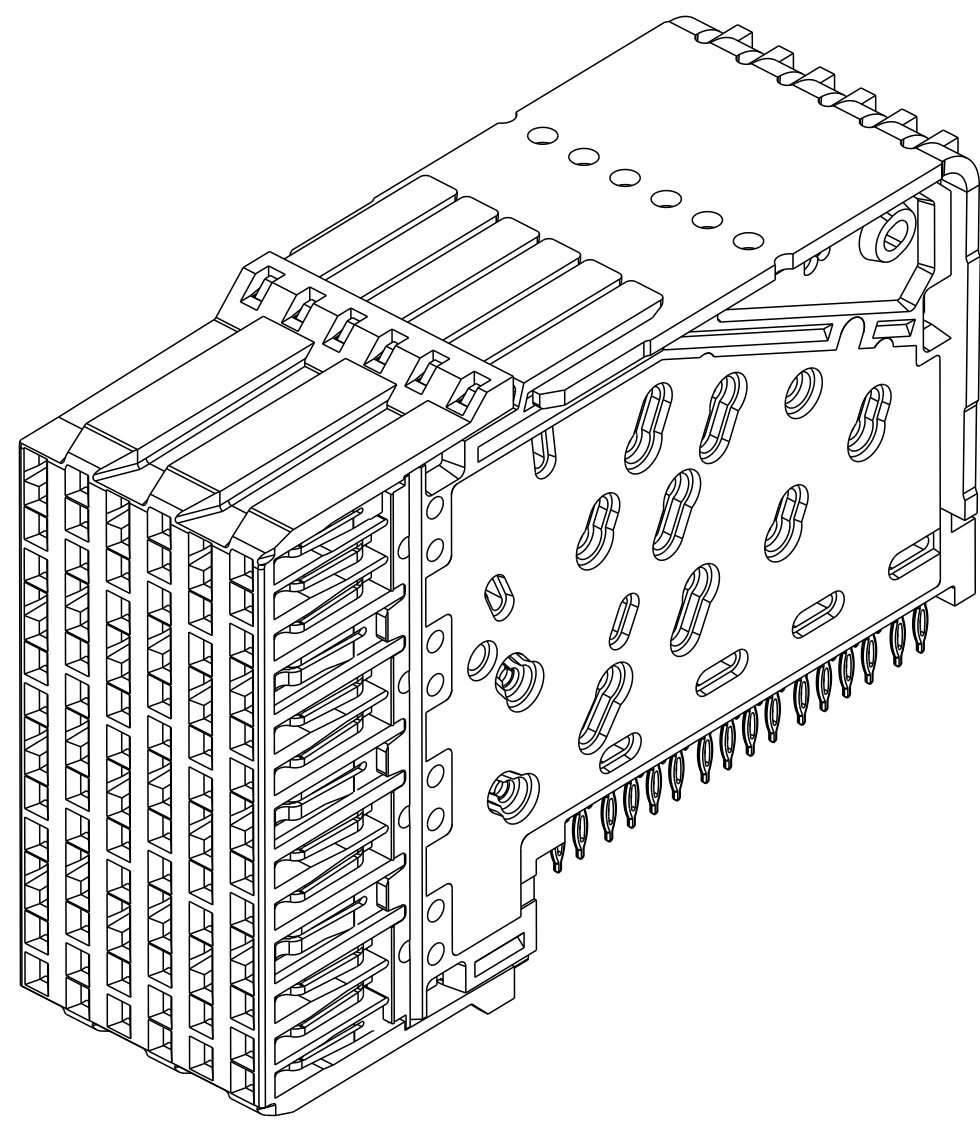
1		2		3		4		5		6		7		8						
A	ASSEMBLY PART NUMBER	LEAD-FREE	MODULE DESCRIPTION AND USAGE NOTES	VERSION	IMPEDANCE	COMPLIANT TAIL STYLE AND PCB DRILL DIAMETER	DIM "K" (TAIL LENGTH)	REMARKS	PCB REQUIREMENTS (SEE NOTE 11)											
	ATTRIBUTE		STANDARD TAIL		MICRO TAIL															
A	10091799-105	NO	SEE NOTES 6 & 14	HSD	85Ω	STANDARD 0.57 (.0225")	2.0	TELECORDIA CO	DRILL SIZE	∅0.57 (.0225")	∅0.45 (.0177")									
	10091799-105LF	YES							PTH	∅0.46±0.05	∅0.36±0.05									
10091799-115	NO	SEE NOTES 6 & 15																		
10091799-115LF	YES																			
10091799-505	NO	SEE NOTES 6 & 14																		
10091799-505LF	YES																			
B	10091799-515	NO	SEE NOTES 6 & 15																	
	10091799-515LF	YES																		
B	10091799-605LF	YES	SEE NOTE 6, 14 & 17																	
	10091799-615LF	YES	SEE NOTE 6, 15 & 17																	
C	10091799-106	NO	SEE NOTES 6 & 14	HSD	85Ω	MICRO 0.45 (.0177")	1.3	TELECORDIA CO	PAD SEE NOTE 8	∅0.88	∅0.75									
	10091799-106LF	YES							MIN PCB THICKNESS	1.60	1.10									
10091799-116	NO	SEE NOTES 6 & 15																		
10091799-116LF	YES																			
C	10091799-506	NO	SEE NOTES 6 & 14																	
	10091799-506LF	YES																		
C	10091799-516	NO	SEE NOTES 6 & 15																	
	10091799-516LF	YES																		
D	10091799-606LF	YES	SEE NOTE 6, 14 & 17																	
	10091799-616LF	YES	SEE NOTE 6, 15 & 17																	
D	10091799-107	NO	SEE NOTES 6 & 14	LC	85Ω	STANDARD 0.57 (.0225")	2.0	TELECORDIA CO												
	10091799-107LF	YES																		
10091799-117	NO	SEE NOTES 6 & 15																		
10091799-117LF	YES																			
E	10091799-507	NO	SEE NOTES 6 & 14																	
	10091799-507LF	YES																		
E	10091799-517	NO	SEE NOTES 6 & 15																	
	10091799-517LF	YES																		
E	10091799-108	NO	SEE NOTES 6 & 14						LC	85Ω	MICRO 0.45 (.0177")	1.3	TELECORDIA CO							
	10091799-108LF	YES																		
10091799-118	NO	SEE NOTES 6 & 15																		
10091799-118LF	YES																			
F	10091799-508	NO	SEE NOTES 6 & 14																	
	10091799-508LF	YES																		
F	10091799-518	NO	SEE NOTES 6 & 15																	
	10091799-518LF	YES																		

PCB REQUIREMENTS (SEE NOTE 11)		
ATTRIBUTE	STANDARD TAIL	MICRO TAIL
DRILL SIZE	∅0.57 (.0225")	∅0.45 (.0177")
PTH	∅0.46±0.05	∅0.36±0.05
PAD SEE NOTE 8	∅0.88	∅0.75
MIN PCB THICKNESS	1.60	1.10

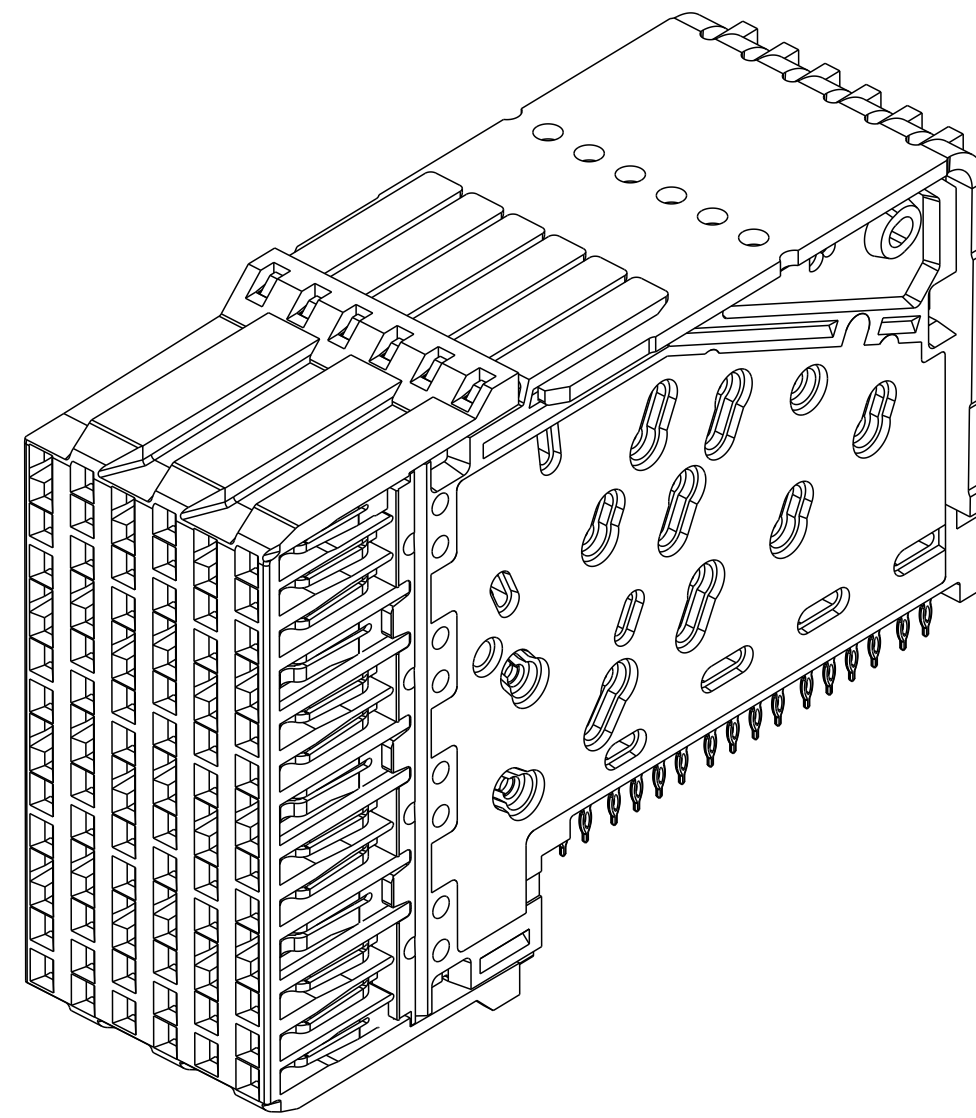
Copyright FCI. FCI

spec ref	SEE NOTES	dr	Jim Swain	2010/01/22	projection	mm	size	A2	scale	3:1
tolerance std	TOLERANCES UNLESS OTHERWISE SPECIFIED	eng	Matthew Cheong	2014/06/23		mm	ecn no	ELX-S-18041-1	rel lev	Released
ASME Y14.5		chr	-	2014/07/04						
surface	linear	0.X	±-		RECEPT MODULE, RIGHT ANGLE	6-COLUMN, 4-PAIR	10091799	rev	D	
ASME Y14.5	0.XX	±-								
	0.XXX	±-								
	angular	0°	±°	www.fci.com	cat. no.	SEE P/N TABLES	Product - Customer Drw	sheet 4 of 6		

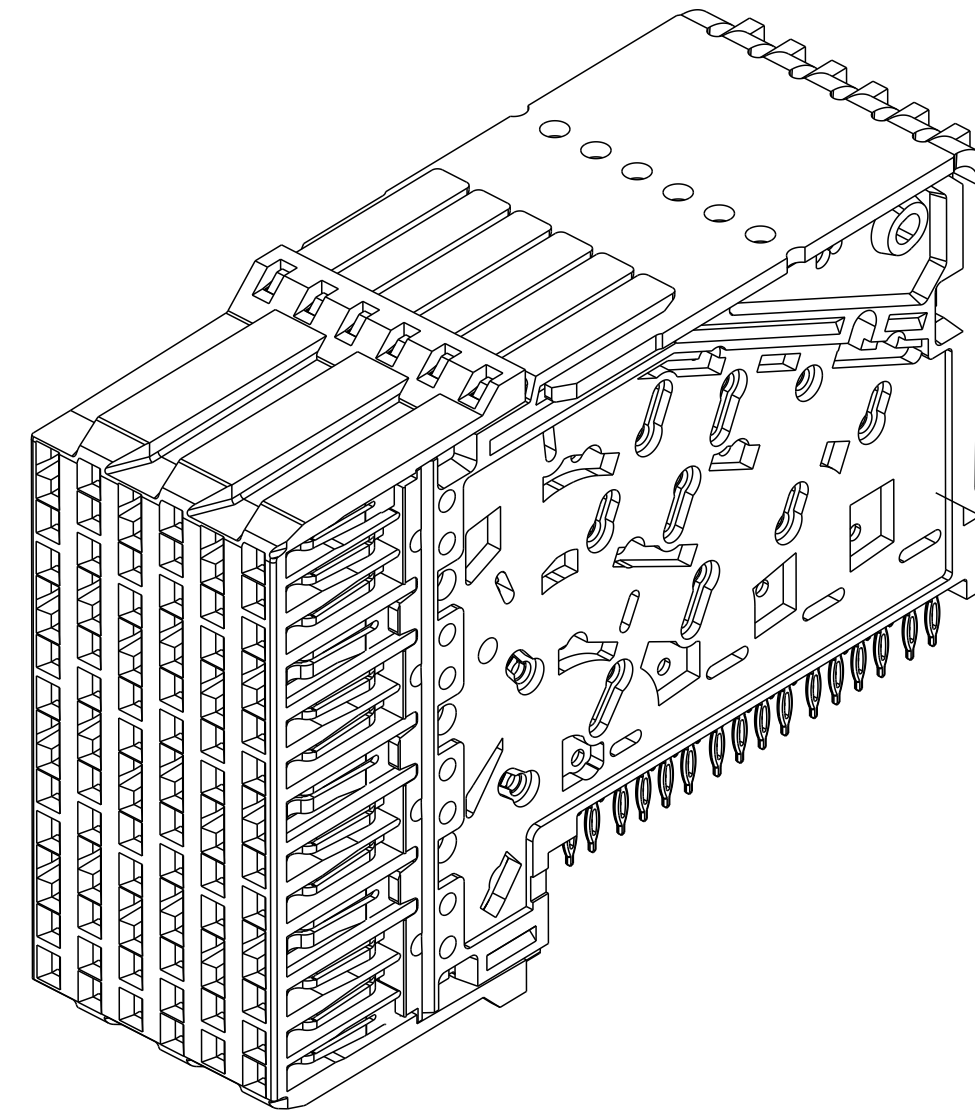




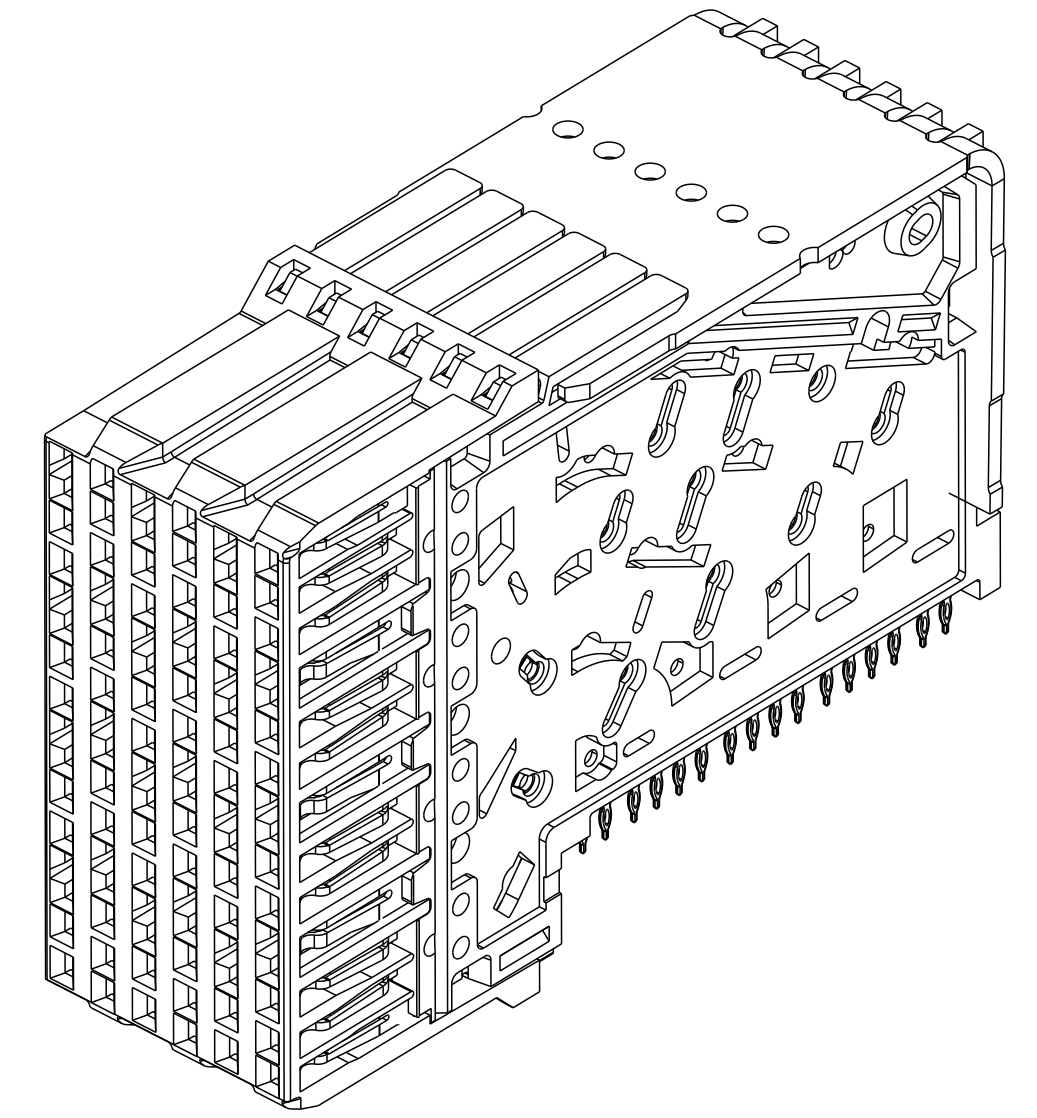
10091799-X01 & -X05  
HSD / 100Ω & 85Ω / STD EON  
SEE NOTE 14



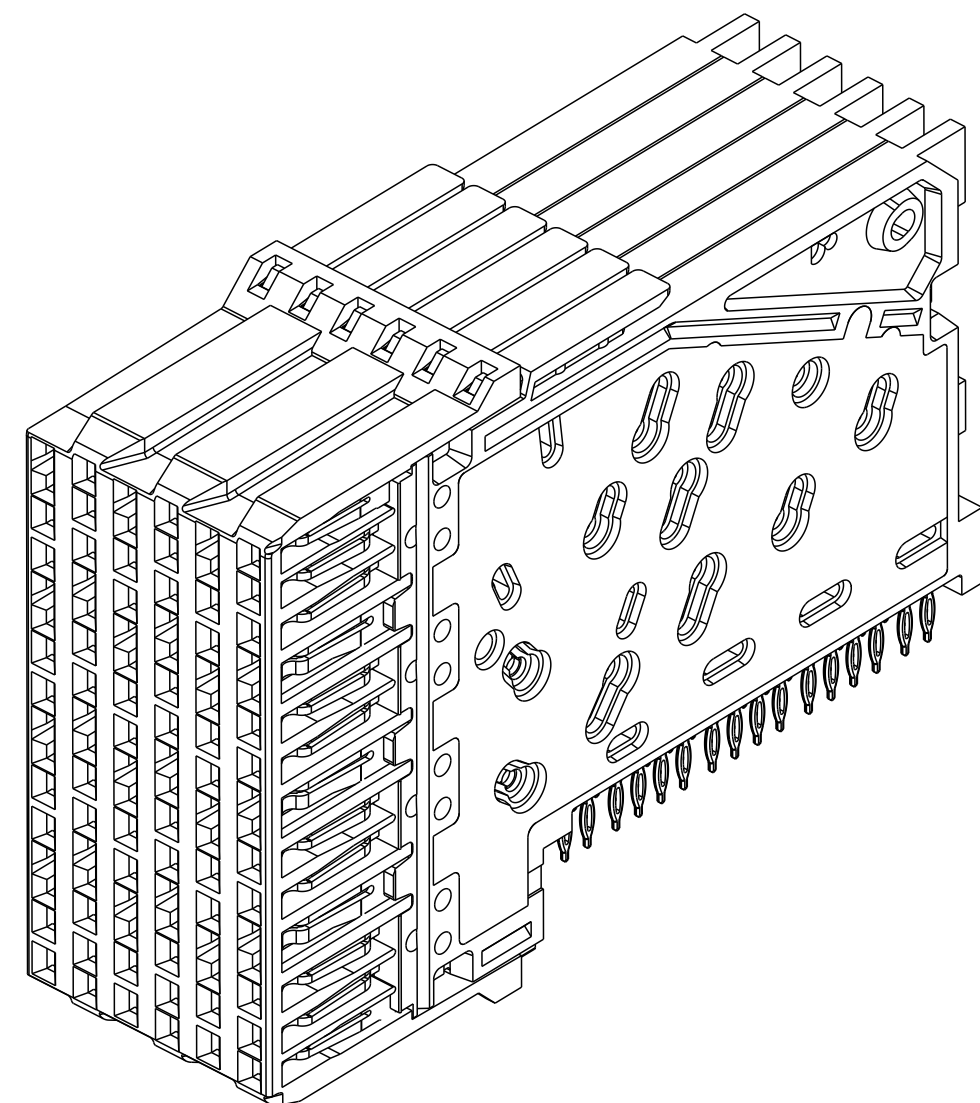
10091799-X02 & X06  
HSD / 100Ω & 85Ω / MICRO EON  
SEE NOTE 14



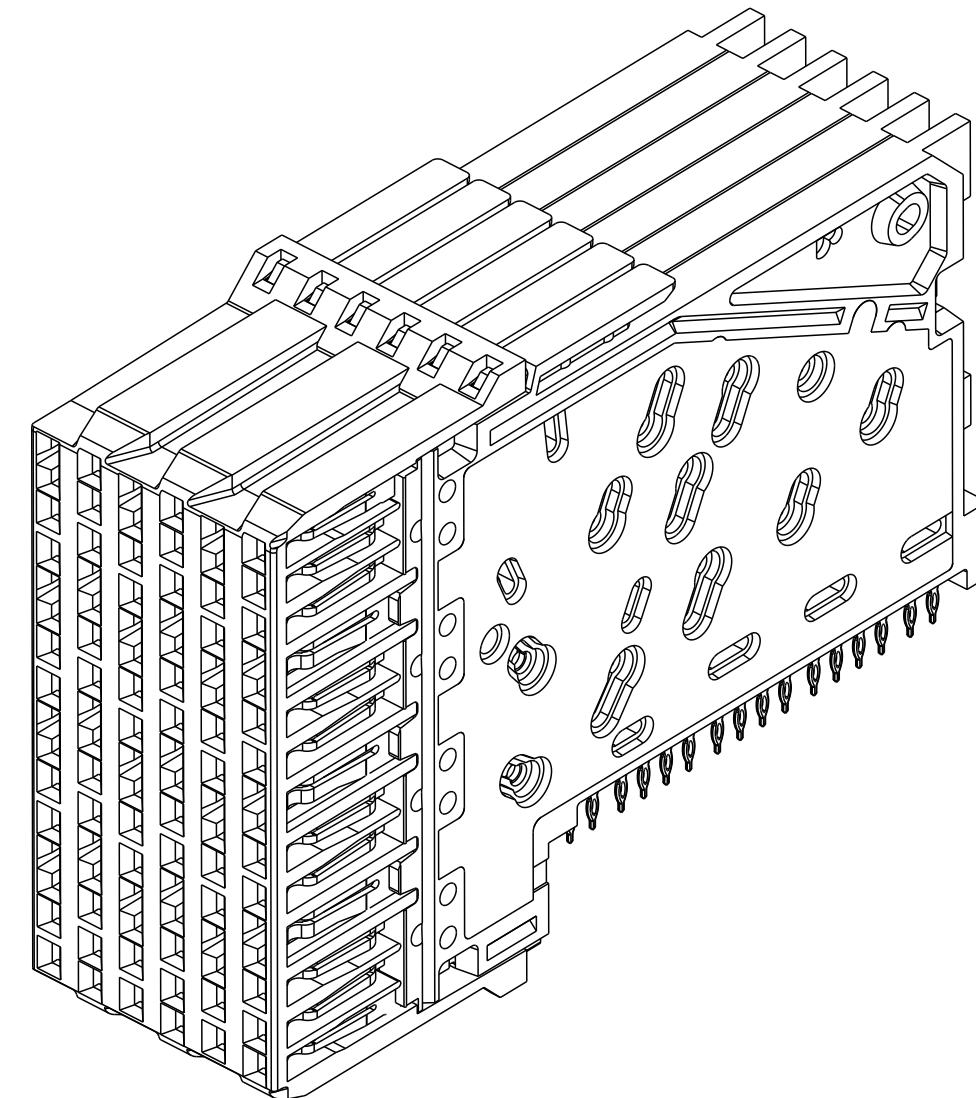
10091799-X03 & X07  
LC / 100Ω & 85Ω / STD EON  
SEE NOTE 14



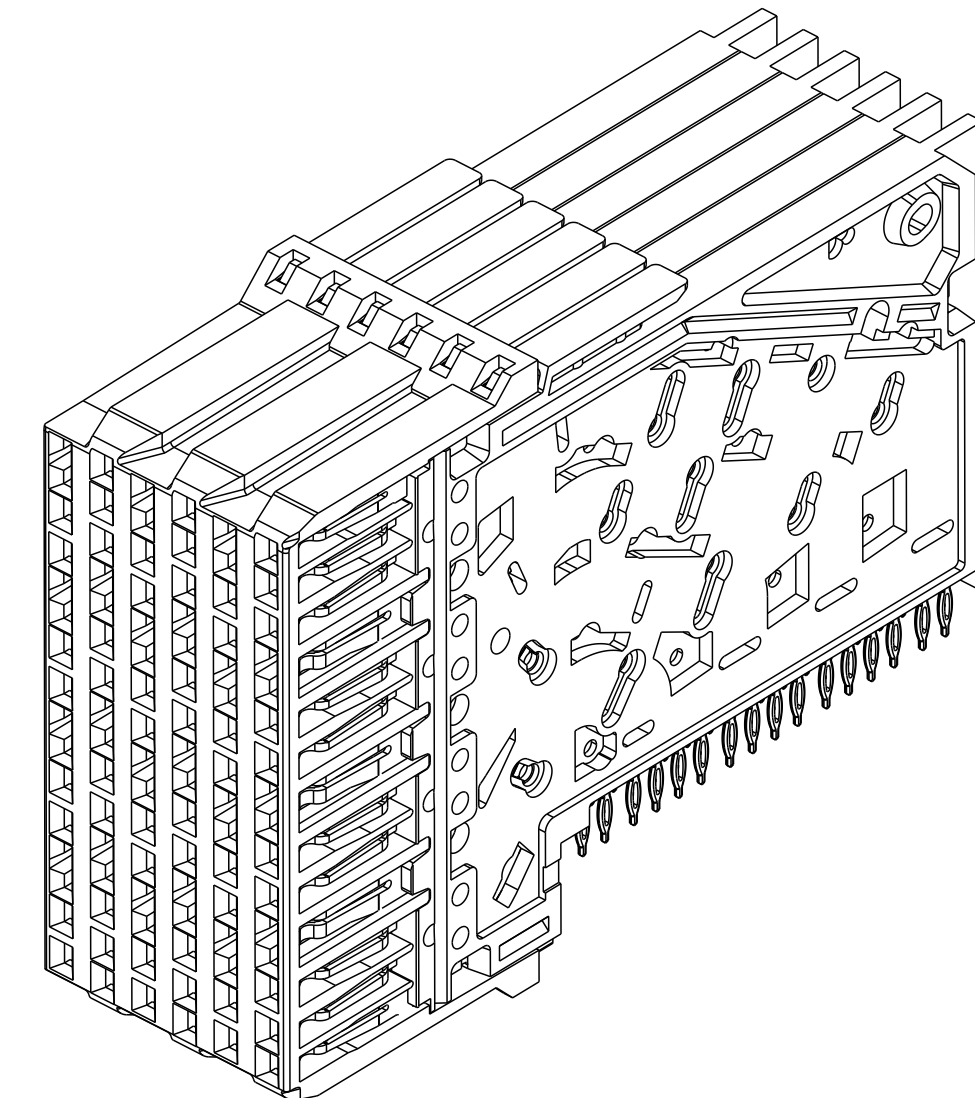
10091799-X04 & X08  
LC / 100Ω & 85Ω / MICRO EON  
SEE NOTE 14



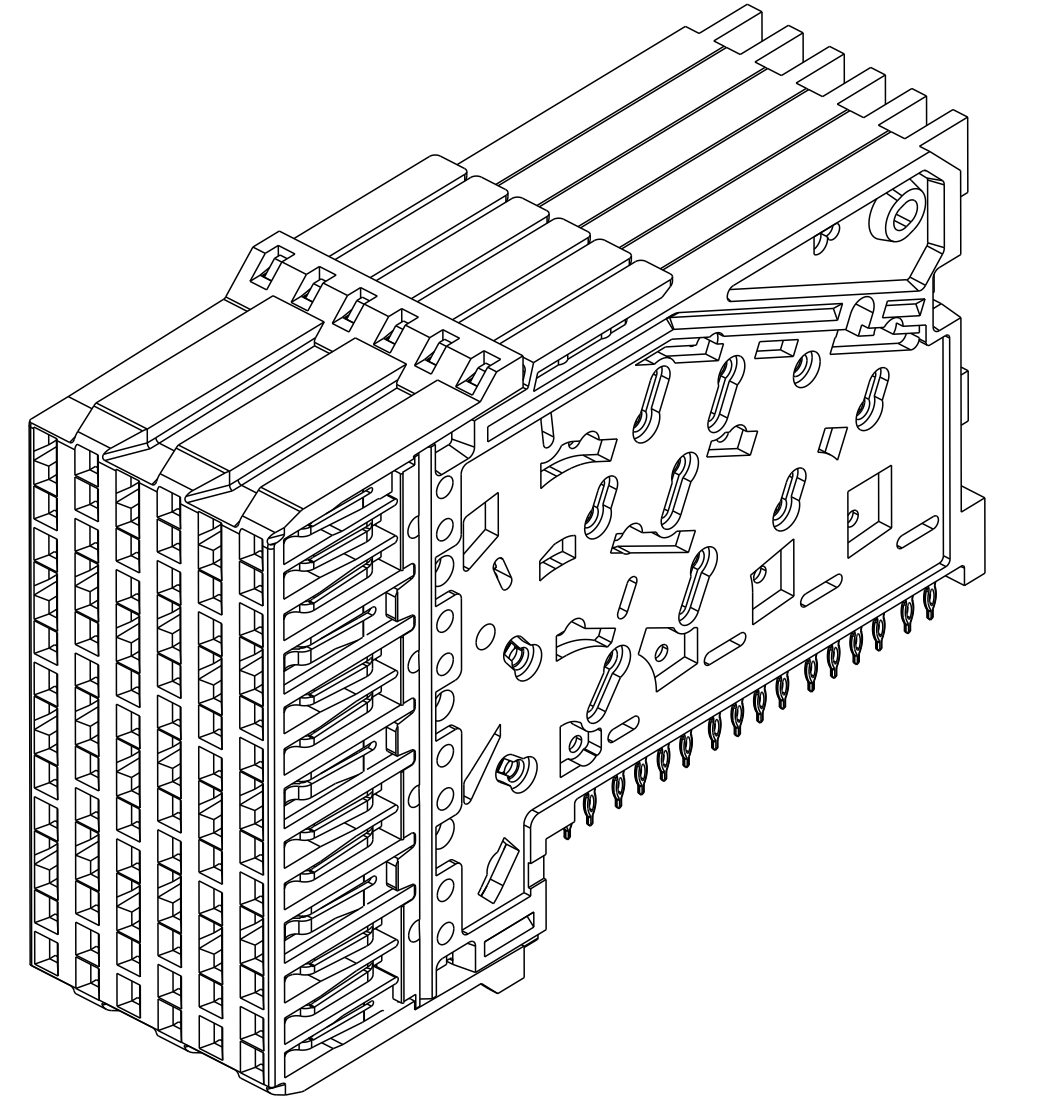
10091799-X11 & -X15  
HSD / 100Ω & 85Ω / STD EON  
SEE NOTE 15



10091799-X12 & X16  
HSD / 100Ω & 85Ω / MICRO EON  
SEE NOTE 15



10091799-X13 & X17  
LC / 100Ω & 85Ω / STD EON  
SEE NOTE 15



10091799-X14 & X18  
LC / 100Ω & 85Ω / MICRO EON  
SEE NOTE 15



Copyright FCI.

spec ref	SEE NOTES	dr	Jim Swain	2010/01/22	projection	mm	size	A2	scale	3:1	
tolerance std	TOLERANCES UNLESS OTHERWISE SPECIFIED	eng	Matthew Cheong	2014/06/23			ecn no	ELX-S-18041-1	rel lev	Released	
ASME Y14.5		chr	-	appr							Chen-Hong Tan
surface	<input checked="" type="checkbox"/> linear		0.X	±		title RECEPT MODULE, RIGHT ANGLE 6-COLUMN, 4-PAIR	dwg no 10091799	rev D	Product - Customer Draw		
			0.XX	±					cat. no.	SEE P/N TABLES	sheet 5 of 6
		ASME Y14.5	angular	0°					±	PDS: Rev :D	



NOTES:

1. CONNECTOR MATERIALS:

HOUSING: THERMOPLASTIC, GRAY, UL 94V-0  
 WAFERS: THERMOPLASTIC, GRAY, UL 94V-0  
 CONTACTS: HIGH-PERFORMANCE COPPER ALLOY  
 ORGANIZER: STAINLESS STEEL

2. CONTACT PLATING:

SEPARABLE INTERFACE: PERFORMANCE-BASED PLATING, QUALIFIED TO MEET THE REQUIREMENTS OF FCI PRODUCT SPECIFICATION GS-12-588, INCLUDING THE TELCORDIA GR-1217-CORE (ISSUE 2 DEC 2008) CENTRAL OFFICE TEST SEQUENCE.

PRESS-FIT TAILS: TIN-LEAD ALLOY OVER NICKEL OR TIN OVER NICKEL (LEAD FREE) AS NOTED. SEE "LEAD-FREE" COLUMN IN P/N TABLE.

3. PRODUCT SPECIFICATION: GS-12-588

4. APPLICATION SPECIFICATION: GS-20-121

5. PRODUCT MARKING: APPLIED TO CUSTOM MONOBLOCK ASSEMBLY

6. Xcede® MODULES ARE DESIGNED TO BE STACKED INTO A MONOBLOCK ASSEMBLY, JOINED TOGETHER BY A COMMON STAMPED METAL ORGANIZER. INDIVIDUALLY ASSEMBLED MODULES ARE OFFERED FOR PURPOSES OF SAMPLING AND INITIAL DESIGN-IN EVALUATION AS IDENTIFIED IN THE PART NUMBER TABLE.

7. DRAWING IS INTENDED FOR LAYOUT PURPOSES ONLY.

8. STATED PAD SIZE MAY REQUIRE FILLETING. REFER TO FCI APPLICATION SPECIFICATION FOR ROUTING GUIDELINES.

9. SEE PCB REQUIREMENTS TABLE AND FCI APPLICATION SPECIFICATION GS-20-121 FOR PCB HOLE SPECIFICATIONS AND ROUTING GUIDELINES.

10. LEAD-FREE PRODUCT MEETS THE EUROPEAN UNION DIRECTIVES AND OTHER COUNTRY REGULATIONS AS DESCRIBED IN FCI SPECIFICATION GS-22-008.

11. REQUIREMENTS APPLY TO THE MAJORITY OF PCB FINISHES. SEE APPLICATION SPECIFICATION GS-20-121 FOR ADDITIONAL DETAILS AND EXCEPTIONS FOR LEAD-FREE HASL AND IMMERSION SILVER FINISHES.

12. PACKAGING MEETS FCI SPECIFICATION GS-14-920 FOR LEAD-FREE LABELING.

13. THE SPECIFIED KEEP-OUT AREA IS REQUIRED FOR CONNECTOR REPAIRABILITY.

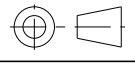

14. INDIVIDUAL MODULE ASSEMBLIES INCLUDING ASSEMBLED METAL ORGANIZER. THESE MODULES ARE TO BE USED FOR SAMPLING AND INITIAL EVALUATION ONLY. REF NOTE 6.

15. INDIVIDUAL MODULES TO BE SPECIFIED AND USED IN CUSTOM MONOBLOCK CONFIGURATIONS. REFERENCE NOTE 6 AND FCI APPLICATION SPECIFICATION FOR ADDITIONAL CONFIGURATION GUIDELINES AND INFORMATION.

16. A  SYMBOL WILL BE NEXT TO ANY DIMENSION, VIEW OR NOTES WHICH HAS BEEN MODIFIED WITH THE CURRENT DRAWING REVISION.

 17. CUSTOMER SPECIAL PARTNO.

Copyright FCI. FCI

spec ref	SEE NOTES	dr	Jim Swain	2010/01/22	projection	mm	size	A2	scale	3:1
tolerance std	TOLERANCES UNLESS OTHERWISE SPECIFIED	eng	Matthew Cheong	2014/06/23		mm	ecn no	ELX-S-18041-1	rel lev	Released
ASME Y14.5		chr	-	-						
surface	linear	0.X	±-		title	RECEPT MODULE, RIGHT ANGLE 6-COLUMN, 4-PAIR	dwg no	10091799	rev	D
ASME Y14.5	0.XX	±-	www.fci.com							
	0.XXX	±-								
	angular	0°	±°	cat. no.	SEE P/N TABLES	Product - Customer Drw	sheet 6 of 6			

## Данный компонент на территории Российской Федерации

### Вы можете приобрести в компании MosChip.

Для оперативного оформления запроса Вам необходимо перейти по данной ссылке:

<http://moschip.ru/get-element>

Вы можете разместить у нас заказ для любого Вашего проекта, будь то серийное производство или разработка единичного прибора.

В нашем ассортименте представлены ведущие мировые производители активных и пассивных электронных компонентов.

Нашей специализацией является поставка электронной компонентной базы двойного назначения, продукции таких производителей как XILINX, Intel (ex.ALTERA), Vicor, Microchip, Texas Instruments, Analog Devices, Mini-Circuits, Amphenol, Glenair.

Сотрудничество с глобальными дистрибьюторами электронных компонентов, предоставляет возможность заказывать и получать с международных складов практически любой перечень компонентов в оптимальные для Вас сроки.

На всех этапах разработки и производства наши партнеры могут получить квалифицированную поддержку опытных инженеров.

Система менеджмента качества компании отвечает требованиям в соответствии с ГОСТ Р ИСО 9001, ГОСТ РВ 0015-002 и ЭС РД 009

### Офис по работе с юридическими лицами:

105318, г.Москва, ул.Щербаковская д.3, офис 1107, 1118, ДЦ «Щербаковский»

Телефон: +7 495 668-12-70 (многоканальный)

Факс: +7 495 668-12-70 (доб.304)

E-mail: [info@moschip.ru](mailto:info@moschip.ru)

Skype отдела продаж:

moschip.ru

moschip.ru\_4

moschip.ru\_6

moschip.ru\_9