

# Fuse Holders for 1/4" x 1 1/4" and 5 x 20mm Fuses

## HTB Panel Mount Series



### Description

- For 1/4" x 1 1/4" and 5 x 20mm fuses
- All holder bodies have the option of using 1/4" x 1 1/4" or 5 x 20mm carriers
- Withstands 15 to 20 Lb-In torque to mounting nut when mounting fuse holder to panel
- High temperature, flame retardant, Thermoplastic meets UL 94V0



### Specifications

| Product Code | UL Rating (amps) | CSA Rating (amps) | Voltage Rating | Fuse Size     | Quick Connect |
|--------------|------------------|-------------------|----------------|---------------|---------------|
| HTB-X2I      | 20               | 16                | 250            | 1/4" x 1 1/4" | 3/16"         |
| HTB-X4I      | 20               | 16                | 250            | 1/4" x 1 1/4" | 3/16"         |
| HTB-X6I      | 20               | 16                | 250            | 1/4" x 1 1/4" | 1/4"          |
| HTB-X8I      | 20               | 16                | 250            | 1/4" x 1 1/4" | 1/4"          |
| HTB-X2M      | 16               | 16                | 250            | 5 x 20mm      | 3/16"         |
| HTB-X4M      | 16               | 16                | 250            | 5 x 20mm      | 3/16"         |
| HTB-X6M      | 16               | 16                | 250            | 5 x 20mm      | 1/4"          |
| HTB-X8M      | 16               | 16                | 250            | 5 x 20mm      | 1/4"          |

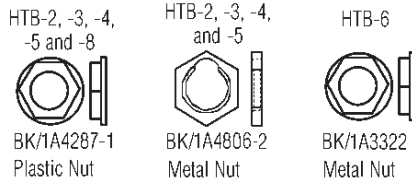
### Agency Information

- UL Recognized: IZLT2, E14853
- CSA Component Acceptance: Class 6225-01, File 47235
- VDE Certified: 136128, HTB-XXM
- SEMKO Certification: Ref. #0146149/01, HTB-XXM
- CE

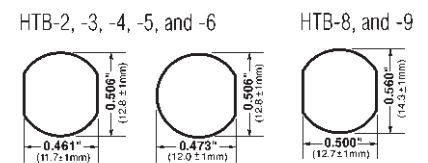
### Maximum Panel Thickness

| Body Type | Inch  | mm   |
|-----------|-------|------|
| HTB-2     | 0.30  | 7.62 |
| HTB-3     | 0.30  | 7.62 |
| HTB-4     | 0.125 | 3.18 |
| HTB-5     | 0.125 | 3.18 |
| HTB-6     | 0.30  | 7.62 |
| HTB-8     | 0.125 | 3.18 |
| HTB-9     | 0.125 | 3.18 |

### Replacement Parts



### Mounting Dimensions - in (mm)

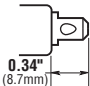
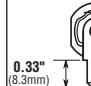
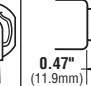
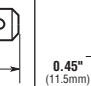

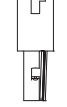


### Dimensions - in (mm)

| Knob Type Carrier                                    | Maximum Panel Thickness | Terminal Options               |           |                    |           | Carrier Options                      |                                 |
|--|-------------------------|--------------------------------|-----------|--------------------|-----------|--------------------------------------|---------------------------------|
|  |                         | Solder/<br>3/16" Quick-Connect |           | 1/8" Quick-Connect |           | 1/4" x 1 1/4"<br>("I" Equals Inches) | 5 x 20mm<br>("M" Equals Metric) |
|  |                         | In-Line                        | Rt. Angle | In-Line            | Rt. Angle | Knob                                 | Knob                            |
| <b>Low Profile Rear Hex Nut</b><br><br><b>HTB-2</b>  | 0.30"<br>7.62mm         |                                |           |                    |           |                                      | —                               |
|  |                         | HTB-22I-R                      | HTB-24I-R | HTB-26I-R          | HTB-28I-R | 3                                    | —                               |
| <b>High Profile Rear Hex Nut</b><br><br><b>HTB-4</b> | 0.125"<br>3.18mm        |                                |           |                    |           |                                      | —                               |
|  |                         | HTB-42I-R                      | HTB-44I-R | HTB-46I-R          | HTB-48I-R | 3                                    | —                               |
| <b>Front Hex Nut</b><br><br><b>HTB-6</b>             | 0.30"<br>7.62mm         |                                |           |                    |           |                                      | —                               |
|  |                         | HTB-62I-R                      | HTB-64I-R | HTB-66I-R          | HTB-68I-R | 3                                    | —                               |
| <b>Low Profile Snap-In</b><br><br><b>HTB-8</b>       | 0.125"<br>3.18mm        |                                |           |                    |           |                                      | —                               |
|  |                         | HTB-82I-R                      | HTB-84I-R | HTB-86I-R          | HTB-88I-R | 3                                    | —                               |
|  |                         |                                |           |                    |           |                                      |                                 |
|  |                         |                                |           |                    |           |                                      |                                 |





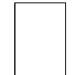

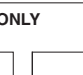


Fuseholders and fuse carriers may be ordered separately.

## Dimensions - in (mm)

| Screwdriver Type Carrier   | Maximum Panel Thickness | Terminal Options  |   |   |  | Carrier Options   |   |
|--|-------------------------|---|---|---|--|---|---|
|  |                         | Solder/<br>3/16" Quick-Connect  |   | 1/4" Quick-Connect  |  | 1/4" x 1/4"<br>("I" Equals Inches)  | 5 x 20mm<br>("M" Equals Metric)   |
|  |                         | In-Line   | Rt. Angle   | In-Line   | Rt. Angle  | Screwdriver   | Screwdriver   |
| Common Dimensional Data:<br>(Screwdriver Slotted)<br>1.75" (44.5mm)<br>NOTE: Plus In-Line Terminal |                         |  |  |  |  |  |  |
| <b>Low Profile Rear Hex Nut</b><br>HTB-3   | 0.30"<br>7.62mm         | HTB-32I-R<br>HTB-32M-R  | HTB-34I-R<br>HTB-34M-R  | HTB-36I-R<br>HTB-36M-R  | HTB-38I-R<br>HTB-38M-R   | 3<br>—  | —<br>3  |
| <b>High Profile Rear Hex Nut</b><br>HTB-5  | 0.125"<br>3.18mm        | HTB-52I-R<br>HTB-52M-R  | HTB-54I-R<br>HTB-54M-R  | HTB-56I-R<br>HTB-56M-R  | HTB-58I-R<br>HTB-58M-R   | 3<br>—  | —<br>3  |
| <b>Low-Profile Snap-In</b><br>HTB-9  | 0.125"<br>3.18mm        | HTB-92I-R<br>HTB-92M-R  | HTB-94I-R<br>HTB-94M-R  | HTB-96I-R<br>HTB-96M-R  | HTB-98I-R<br>HTB-98M-R   | 3<br>—  | —<br>3  |

Fuseholders and fuse carriers may be ordered separately.

## Ordering Information

|  |  |  |   |   |  |   |   |   |  |
|--|--|--|---|---|--|---|---|---|--|
|   |   | <b>HTB-</b><br> |  |  |  |  |    |  |  |
| <b>Packing (Blank)</b> – Std.<br><b>BK/</b> – Bulk   | <b>Product Symbol</b>  |  | <b>Fuse Carrier</b><br>I – 1/4" x 1 1/4"<br>M – 5 x 20mm                          | <b>S</b>  | <b>P</b>   | <b>FUSE CARRIER ONLY</b>  |   |   |  |
| <b>Body Configuration and Mounting Knob Holders</b><br>2 – Low Profile (Rear Panel Hex-Nut)<br>4 – High Profile<br>*6 – (Front Panel Hex-Nut)<br>8 – Low Profile (Snap-In)<br><b>Screwdriver Slotted Holders</b><br>3 – Low Profile<br>5 – High Profile<br>9 – Low Profile (Snap-In) | <b>Rear Terminal Configuration</b><br>2 – Solder / 3/16" Quick-Connect (In-Line)<br>4 – Solder / 3/16" Quick-Connect (Right Angle)<br>6 – 1/4" Quick-Connect (In-Line)<br>8 – 1/4" Quick-Connect (Right Angle) |  |   | <b>Splash Proof</b><br>Cap with O-Ring (Optional on Knob Holders Only)            |  | <b>Packing (Blank)</b> – Std.<br><b>BK/</b> – Bulk                                  | <b>Product Symbol</b><br>FT – Knob Type (For 20, 40, 60, and 80 Series Only)<br>ST – Screwdriver Slotted (For 30, 50, and 90 Series Only) | <b>Fuse Carrier</b><br>I – 1/4" x 1 1/4"<br>M – 5mm x 20mm                          |  |
|  |  |  |   | <b>-R</b>   |  |   |   |   |  |
|  |  |  |   | <b>RoHS Compliant</b>   |  |   |   |   |  |

\*Profile varies with panel thickness. Holder installs thru rear of panel.

| Packaging             |  |
|-----------------------|--|
| Packaging Code Prefix | Description  |
| Blank                 | 10 fuse holders packed into a carton                   |
| BK                    | 100 fuse holders packed into a cardboard shelf package |

The only controlled copy of this Data Sheet is the electronic read-only version located on the Cooper Bussmann Network Drive. All other copies of this document are by definition uncontrolled. This bulletin is intended to clearly present comprehensive product data and provide technical information that will help the end user with design applications. Cooper Bussmann reserves the right, without notice, to change design or construction of any products and to discontinue or limit distribution of any products. Cooper Bussmann also reserves the right to change or update, without notice, any technical information contained in this bulletin. Once a product has been selected, it should be tested by the user in all possible applications.

Life Support Policy: Cooper Bussmann does not authorize the use of any of its products for use in life support devices or systems without the express written approval of an officer of the Company. Life support systems are devices which support or sustain life, and whose failure to perform, when properly used in accordance with instructions for use provided in the labeling, can be reasonably expected to result in significant injury to the user.

© 2009 Cooper Bussmann  
St. Louis, MO 63178  
www.cooperbussmann.com



## Данный компонент на территории Российской Федерации

### Вы можете приобрести в компании MosChip.

Для оперативного оформления запроса Вам необходимо перейти по данной ссылке:

<http://moschip.ru/get-element>

Вы можете разместить у нас заказ для любого Вашего проекта, будь то серийное производство или разработка единичного прибора.

В нашем ассортименте представлены ведущие мировые производители активных и пассивных электронных компонентов.

Нашей специализацией является поставка электронной компонентной базы двойного назначения, продукции таких производителей как XILINX, Intel (ex.ALTERA), Vicor, Microchip, Texas Instruments, Analog Devices, Mini-Circuits, Amphenol, Glenair.

Сотрудничество с глобальными дистрибьюторами электронных компонентов, предоставляет возможность заказывать и получать с международных складов практически любой перечень компонентов в оптимальные для Вас сроки.

На всех этапах разработки и производства наши партнеры могут получить квалифицированную поддержку опытных инженеров.

Система менеджмента качества компании отвечает требованиям в соответствии с ГОСТ Р ИСО 9001, ГОСТ РВ 0015-002 и ЭС РД 009

### Офис по работе с юридическими лицами:

105318, г.Москва, ул.Щербаковская д.3, офис 1107, 1118, ДЦ «Щербаковский»

Телефон: +7 495 668-12-70 (многоканальный)

Факс: +7 495 668-12-70 (доб.304)

E-mail: [info@moschip.ru](mailto:info@moschip.ru)

Skype отдела продаж:

moschip.ru

moschip.ru\_4

moschip.ru\_6

moschip.ru\_9