

IS31FL3218

18 CHANNELS LED DRIVER

September 2014

GENERAL DESCRIPTION

IS31FL3218 is comprised of 18 constant current channels each with independent PWM control, designed for driving LEDs. The output current of each channel can be set at up to 38mA (Max.) by an external resistor. The average LED current of each channel can be changed in 256 steps by changing the PWM duty cycle through an I2C interface.

The chip can be turned off by pulling the SDB pin low or by using the software shutdown feature to reduce power consumption. The slave address is fixed "1010 1000".

IS31FL3218 is available in QFN-24 (4mm × 4mm) and SOP-24. It operates from 2.7V to 5.5V over the temperature range of -40°C to +85°C.

FEATURES

- 2.7V to 5.5V supply
- I2C interface, automatic address increment function
- Internal reset register
- Modulate LED brightness with 256 steps PWM
- Each channel can be controlled independently
- -40°C to +85°C temperature range
- QFN-24 (4mm × 4mm), SOP-24 package

APPLICATIONS

- Mobile phones and other hand-held devices for LED display
- LED in home appliances

TYPICAL APPLICATION CIRCUIT

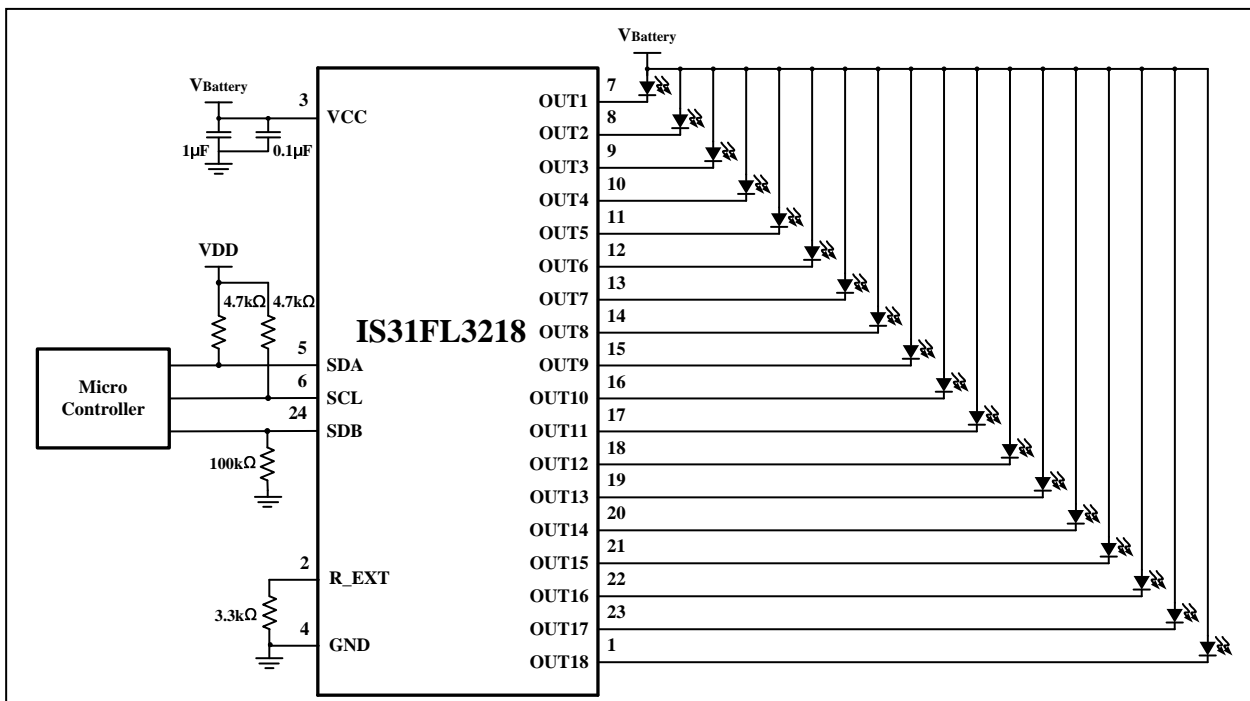


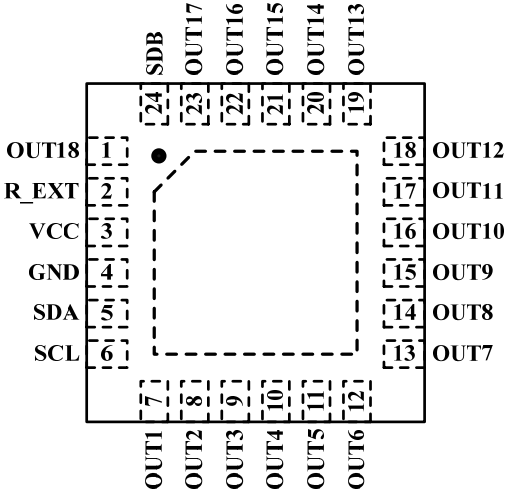
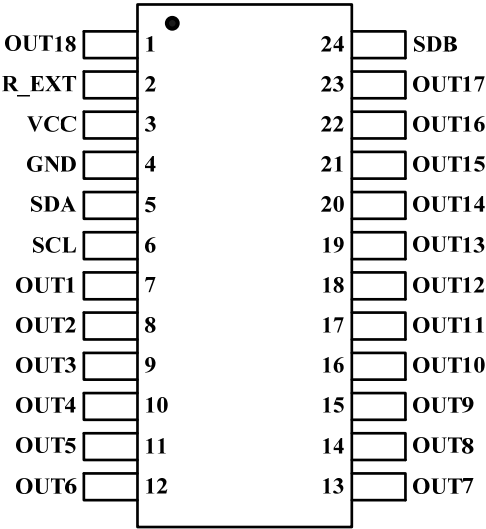
Figure 1 Typical Application Circuit

Note: The maximum output current is set up to 23mA when $R_{EXT} = 3.3k\Omega$. The maximum output current can be set by external resistor, R_{EXT} . Please refer to the detail information in Page 9.

Note: The IC should be placed far away from the mobile antenna in order to prevent the EMI.

IS31FL3218

PIN CONFIGURATION

| Package | Pin Configuration (Top View) |
|---------|---|
| QFN-24 |  |
| SOP-24 |  |

PIN DESCRIPTION

| No. | Pin | Description |
|------|--------------|---|
| 1 | OUT18 | Output channel for LEDs. |
| 2 | R_EXT | Input terminal used to connect an external resistor. This regulates the output current. |
| 3 | VCC | Power supply. |
| 4 | GND | Ground. |
| 5 | SDA | I2C serial data. |
| 6 | SCL | I2C serial clock. |
| 7~23 | OUT1 ~ OUT17 | Output channel for LEDs. |
| 24 | SDB | Shutdown the chip when pulled low. |
| | Thermal Pad | Connect to GND. |



IS31FL3218

ORDERING INFORMATION

Industrial Range: -40°C to +85°C

| Order Part No. | Package | QTY |
|---------------------|-------------------|-----------|
| IS31FL3218-QFLS2-TR | QFN-24, Lead-free | 2500/Reel |
| IS31FL3218-GRLS2 | SOP-24, Lead-free | 30/Tube |

Copyright © 2011 Integrated Silicon Solution, Inc. All rights reserved. ISSI reserves the right to make changes to this specification and its products at any time without notice. ISSI assumes no liability arising out of the application or use of any information, products or services described herein. Customers are advised to obtain the latest version of this device specification before relying on any published information and before placing orders for products. Integrated Silicon Solution, Inc. does not recommend the use of any of its products in life support applications where the failure or malfunction of the product can reasonably be expected to cause failure of the life support system or to significantly affect its safety or effectiveness. Products are not authorized for use in such applications unless Integrated Silicon Solution, Inc. receives written assurance to its satisfaction, that:

- a.) the risk of injury or damage has been minimized;
- b.) the user assume all such risks; and
- c.) potential liability of Integrated Silicon Solution, Inc is adequately protected under the circumstances

IS31FL3218

ABSOLUTE MAXIMUM RATINGS

| | |
|--|-----------------------|
| Supply voltage, V_{CC} | -0.3V ~ +6.0V |
| Voltage at SCL, SDA, SDB, OUT1 ~ OUT18 | -0.3V ~ $V_{CC}+0.3V$ |
| Maximum junction temperature, T_{JMAX} | 150°C |
| Storage temperature range, T_{STG} | -65°C ~ +150°C |
| Operating temperature range, T_A | -40°C ~ +85°C |
| ESD (HBM) | 4kV |

Note:

Stresses beyond those listed under “Absolute Maximum Ratings” may cause permanent damage to the device. These are stress ratings only and functional operation of the device at these or any other condition beyond those indicated in the operational sections of the specifications is not implied. Exposure to absolute maximum rating conditions for extended periods may affect device reliability.

ELECTRICAL CHARACTERISTICS

$T_A = -40^{\circ}\text{C} \sim +85^{\circ}\text{C}$, $V_{CC} = 2.7\text{V} \sim 5.5\text{V}$, unless otherwise noted. Typical values are $T_A = 25^{\circ}\text{C}$, $V_{CC} = 3.6\text{V}$.

| Symbol | Parameter | Condition | Min. | Typ. | Max. | Unit |
|-----------|--|--|------|------|------|---------------|
| V_{CC} | Supply voltage | | 2.7 | | 5.5 | V |
| I_{MAX} | Maximum output current of each channel | $V_{CC} = 4.2\text{V}$, $V_{OUT} = 0.8\text{V}$ $R_{EXT} = 2\text{k}\Omega$ (Note 1) | | 38 | | mA |
| I_{CC} | Quiescent power supply current | $R_{EXT} = 3.3\text{k}\Omega$ | | 5.25 | | mA |
| I_{SD} | Shutdown current | $V_{SDB} = 0\text{V}$ or software shutdown | | 3.1 | | μA |
| I_{OZ} | Output leakage current | $V_{SDB} = 0\text{V}$ or software shutdown, $V_{OUT} = 5\text{V}$ | | | 1 | μA |
| V_{EXT} | Output voltage of R-EXT pin | | | 1.3 | | V |

Logic Electrical Characteristics (SDA, SCL, SDB)

| | | | | | | |
|----------|-------------------------|------------------------|-----|---------------|-----|----|
| V_{IL} | Logic “0” input voltage | $V_{CC} = 2.7\text{V}$ | | | 0.4 | V |
| V_{IH} | Logic “1” input voltage | $V_{CC} = 5.5\text{V}$ | 1.4 | | | V |
| I_{IL} | Logic “0” input current | | | 5 (Note 2) | | nA |
| I_{IH} | Logic “1” input current | | | 5 (Note 2) | | nA |

IS31FL3218

DIGITAL INPUT SWITCHING CHARACTERISTICS (Note 2)

| Symbol | Parameter | Condition | Min. | Typ. | Max. | Unit |
|---------------|--|-----------|------|----------|------|---------|
| f_{SCL} | Serial-Clock frequency | | | | 400 | kHz |
| t_{BUF} | Bus free time between a STOP and a START condition | | 1.3 | | | μ s |
| $t_{HD, STA}$ | Hold time (repeated) START condition | | 0.6 | | | μ s |
| $t_{SU, STA}$ | Repeated START condition setup time | | 0.6 | | | μ s |
| $t_{SU, STO}$ | STOP condition setup time | | 0.6 | | | μ s |
| $t_{HD, DAT}$ | Data hold time | | | | 0.9 | μ s |
| $t_{SU, DAT}$ | Data setup time | | 100 | | | ns |
| t_{LOW} | SCL clock low period | | 1.3 | | | μ s |
| t_{HIGH} | SCL clock high period | | 0.7 | | | μ s |
| t_R | Rise time of both SDA and SCL signals, receiving | (Note 3) | | 20+0.1Cb | 300 | ns |
| t_F | Fall time of both SDA and SCL signals, receiving | (Note 3) | | 20+0.1Cb | 300 | ns |

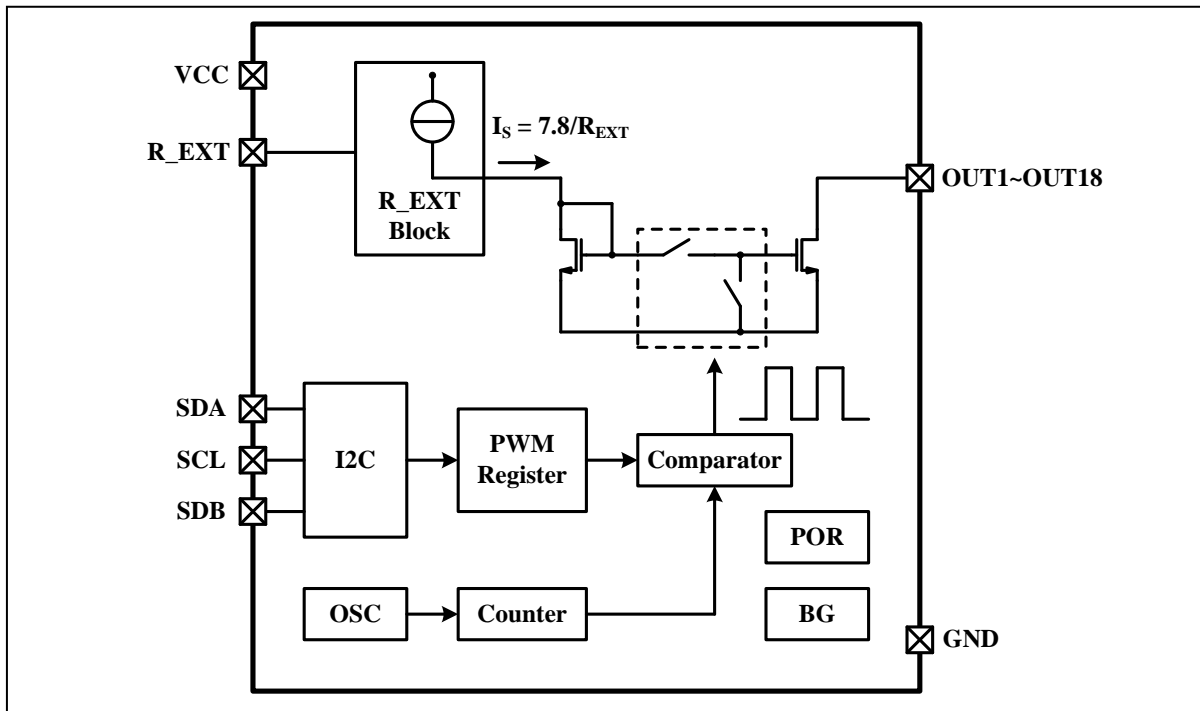
Note 1: The recommended minimum value of R_{EXT} is 2k Ω , or it may cause a large current.

Note 2: Guaranteed by design.

Note 3: Cb = total capacitance of one bus line in pF. $I_{SINK} \leq 6$ mA. t_R and t_F measured between $0.3 \times V_{CC}$ and $0.7 \times V_{CC}$.

IS31FL3218

FUNCTIONAL BLOCK DIAGRAM



IS31FL3218

DETAILED DESCRIPTION

I2C INTERFACE

The IS31FL3218 uses a serial bus, which conforms to the I2C protocol, to control the chip's functions with two wires: SCL and SDA. The IS31FL3218's slave address is "1010 1000". It only supports write operations.

The SCL line is uni-directional. The SDA line is bi-directional (open-collector) with a pull-up resistor (typically 4.7kΩ). The maximum clock frequency specified by the I2C standard is 400kHz. In this discussion, the master is the microcontroller and the slave is the IS31FL3218.

The timing diagram for the I2C is shown in Figure 2. The SDA is latched in on the stable high level of the SCL. When there is no interface activity, the SDA line should be held high.

The "START" signal is generated by lowering the SDA signal while the SCL signal is high. The start signal will alert all devices attached to the I2C bus to check the incoming address against their own chip address.

The 8-bit chip address is sent next, most significant bit first. Each address bit must be stable while the SCL level is high.

After the last bit of the chip address is sent, the master checks for the IS31FL3218's acknowledge. The master releases the SDA line high (through a pull-up resistor).

Then the master sends an SCL pulse. If the IS31FL3218 has received the address correctly, then it holds the SDA line low during the SCL pulse. If the SDA line is not low, then the master should send a "STOP" signal (discussed later) and abort the transfer.

Following acknowledge of IS31FL3218, the register address byte is sent, most significant bit first. IS31FL3218 must generate another acknowledge indicating that the register address has been received.

Then 8-bit of data byte are sent next, most significant bit first. Each data bit should be valid while the SCL level is stable high. After the data byte is sent, the IS31FL3218 must generate another acknowledge to indicate that the data was received.

The "STOP" signal ends the transfer. To signal "STOP", the SDA signal goes high while the SCL signal is high.

ADDRESS AUTO INCREMENT

To write multiple bytes of data into IS31FL3218, load the address of the data register that the first data byte is intended for. During the IS31FL3218 acknowledge of receiving the data byte, the internal address pointer will increment by one. The next data byte sent to IS31FL3218 will be placed in the new address, and so on. The auto increment of the address will continue as long as data continues to be written to IS31FL3218 (Figure 5).

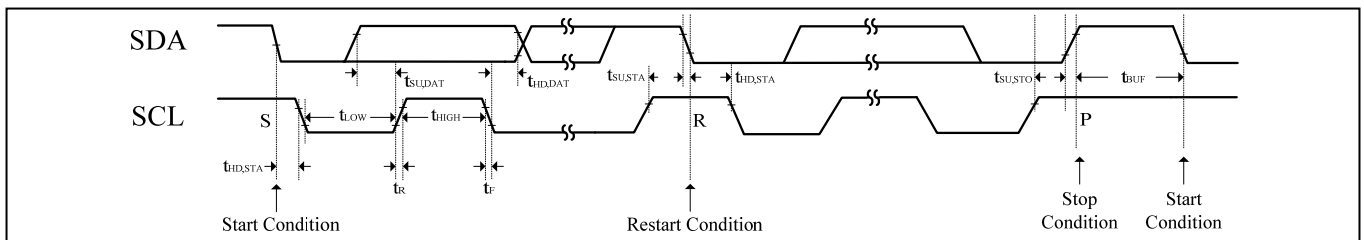


Figure 2 Interface timing

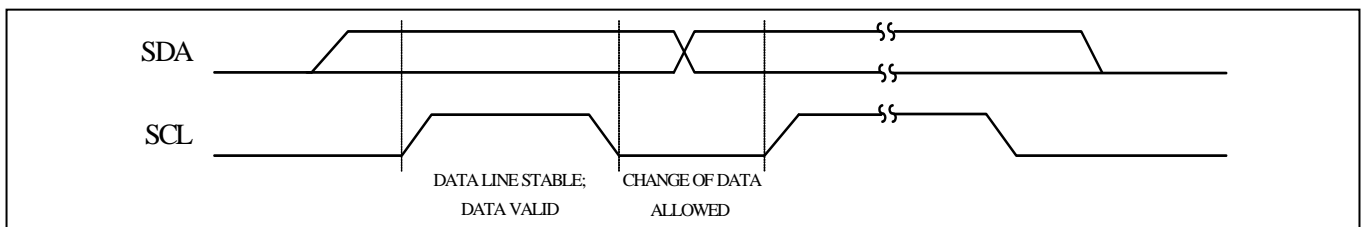


Figure 3 Bit transfer

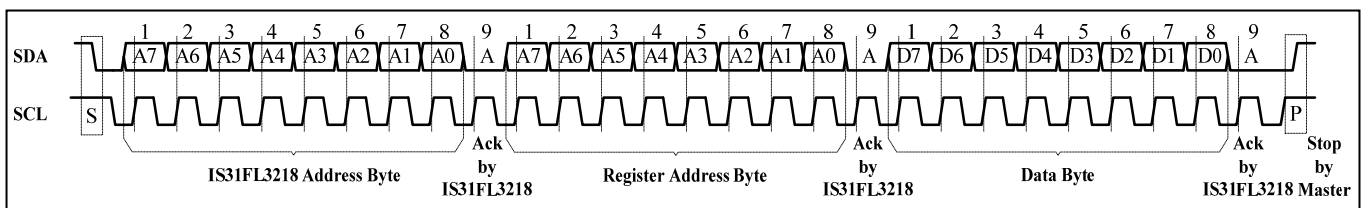


Figure 4 Writing to IS31FL3218(Typical)

IS31FL3218

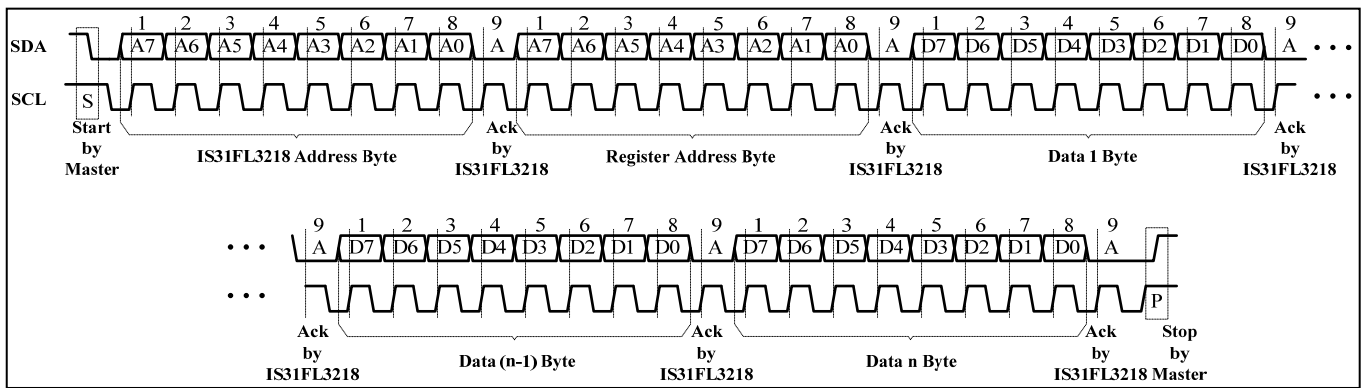


Figure 5 Writing to IS31FL3218(Automatic address increment)

REGISTERS DEFINITIONS

Table 1 Register Function

| Address | Name | Function | Table | Default |
|---------|-----------------------|---|-------|-----------|
| 00h | Shutdown Register | Set software shutdown mode | 2 | 0000 0000 |
| 01h~12h | PWM Register | 18 channels PWM duty cycle data register | 3 | |
| 13h | LED Control Register1 | Channel 1 to 6 enable bit | 4 | |
| 14h | LED Control Register2 | Channel 7 to 12 enable bit | 5 | |
| 15h | LED Control Register3 | Channel 13 to 18 enable bit | 6 | |
| 16h | Update Register | Load PWM Register and LED Control Register's data | - | xxxx xxxx |
| 17h | Reset Register | Reset all registers into default | - | |

Table 2 00h Shutdown Register

| Bit | D7:D1 | D0 |
|---------|----------|-----|
| Name | Reserved | SSD |
| Default | 000000 | 0 |

The Shutdown Register sets software shutdown mode of IS31FL3218.

- SSD** Software Shutdown Enable
 0 Software shutdown mode
 1 Normal operation

Table 3 01h~12h PWM Register(OUT1~OUT18)

| Bit | D7:D0 |
|---------|-----------|
| Name | PWM |
| Default | 0000 0000 |

The PWM Registers adjusts LED luminous intensity in 256 steps.

The value of a channel's PWM Register decides the average output current for each output, OUT1~OUT18. The average output current may be computed using the Formula (1):

$$I_{OUT} = \frac{I_{MAX}}{256} \cdot \sum_{n=0}^7 D[n] \cdot 2^n \quad (1)$$

Where "n" indicates the bit location in the respective PWM register.

For example: D7:D0 = 10110101,

$$I_{OUT} = I_{MAX} (2^0 + 2^2 + 2^4 + 2^5 + 2^7) / 256$$

See Formula (2) in Page 9 to calculate the I_{MAX} .

Table 4 13h LED Control Register 1 (OUT1~OUT6)

| Bit | D7:D6 | D5:D0 |
|---------|----------|-----------|
| Name | Reserved | OUT6:OUT1 |
| Default | 00 | 000000 |

Table 5 14h LED Control Register 2 (OUT7~OUT12)

| Bit | D7:D6 | D5:D0 |
|---------|----------|------------|
| Name | Reserved | OUT12:OUT7 |
| Default | 00 | 000000 |

IS31FL3218

**Table 6 15h LED Control Register 3
(OUT13~OUT18)**

| Bit | D7:D6 | D5:D0 |
|---------|----------|-------------|
| Name | Reserved | OUT18:OUT13 |
| Default | 00 | 000000 |

The LED Control Registers store the on or off state of each column LED.

OUTx LED State
0 LED off
1 LED on

16h PWM Update Register

The data sent to the PWM Registers and the LED Control Registers will be stored in temporary registers. A write operation of any 8-bit value to the Update Register is required to update the registers (01h~15h).

17h Reset Register

Once user writes any 8-bit data to the Reset Register, IS31FL3218 will reset all registers to default value. On initial power-up, the IS31FL3218 registers are reset to their default values for a blank display.

IS31FL3218

APPLICATION INFORMATION

PWM CONTROL

The PWM Registers (01h~12h) can modulate LED brightness of 18 channels with 256 steps. For example, if the data in PWM Register is “0000 0100”, then the PWM is the fourth step.

Writing new data continuously to the registers can modulate the brightness of the LEDs to achieve a breathing effect.

R_{EXT}

The maximum output current of OUT1~OUT18 can be adjusted by the external resistor, R_{EXT}, as described in Formula (2).

$$I_{MAX} = x \cdot \frac{V_{EXT}}{R_{EXT}} \quad (2)$$

x = 58.5, V_{OUT} = 0.8V, V_{EXT} = 1.3V.

The recommended minimum value of R_{EXT} is 2kΩ.

GAMMA CORRECTION

In order to perform a better visual LED breathing effect we recommend using a gamma corrected PWM value to set the LED intensity. This results in a reduced number of steps for the LED intensity setting, but causes the change in intensity to appear more linear to the human eye.

Gamma correction, also known as gamma compression or encoding, is used to encode linear luminance to match the non-linear characteristics of display. Since the IS31FL3218 can modulate the brightness of the LEDs with 256 steps, a gamma correction function can be applied when computing each subsequent LED intensity setting such that the changes in brightness matches the human eye's brightness curve.

Table 7 32 gamma steps with 256 PWM steps

| | | | | | | | |
|-------|-------|-------|-------|-------|-------|-------|-------|
| C(0) | C(1) | C(2) | C(3) | C(4) | C(5) | C(6) | C(7) |
| 0 | 1 | 2 | 4 | 6 | 10 | 13 | 18 |
| C(8) | C(9) | C(10) | C(11) | C(12) | C(13) | C(14) | C(15) |
| 22 | 28 | 33 | 39 | 46 | 53 | 61 | 69 |
| C(16) | C(17) | C(18) | C(19) | C(20) | C(21) | C(22) | C(23) |
| 78 | 86 | 96 | 106 | 116 | 126 | 138 | 149 |
| C(24) | C(25) | C(26) | C(27) | C(28) | C(29) | C(30) | C(31) |
| 161 | 173 | 186 | 199 | 212 | 226 | 240 | 255 |

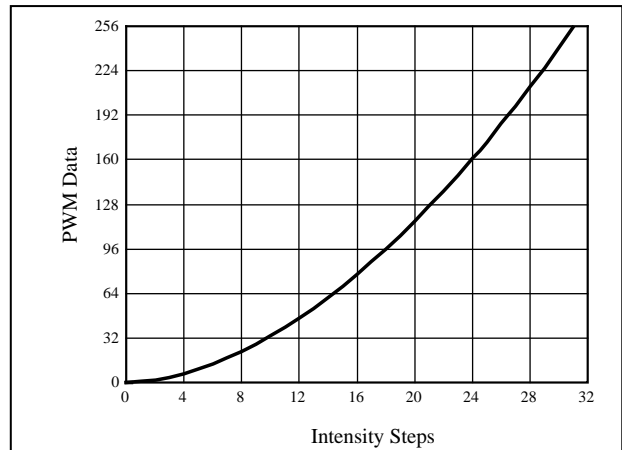


Figure 6 Gamma Correction(32 Steps)

Choosing more gamma steps provides for a more continuous looking breathing effect. This is useful for very long breathing cycles. The recommended configuration is defined by the breath cycle T. When T=1s, choose 32 gamma steps, when T=2s, choose 64 gamma steps. The user must decide the final number of gamma steps not only by the LED itself, but also based on the visual performance of the finished product.

Table 8 64 gamma steps with 256 PWM steps

| | | | | | | | |
|-------|-------|-------|-------|-------|-------|-------|-------|
| C(0) | C(1) | C(2) | C(3) | C(4) | C(5) | C(6) | C(7) |
| 0 | 1 | 2 | 3 | 4 | 5 | 6 | 7 |
| C(8) | C(9) | C(10) | C(11) | C(12) | C(13) | C(14) | C(15) |
| 8 | 10 | 12 | 14 | 16 | 18 | 20 | 22 |
| C(16) | C(17) | C(18) | C(19) | C(20) | C(21) | C(22) | C(23) |
| 24 | 26 | 29 | 32 | 35 | 38 | 41 | 44 |
| C(24) | C(25) | C(26) | C(27) | C(28) | C(29) | C(30) | C(31) |
| 47 | 50 | 53 | 57 | 61 | 65 | 69 | 73 |
| C(32) | C(33) | C(34) | C(35) | C(36) | C(37) | C(38) | C(39) |
| 77 | 81 | 85 | 89 | 94 | 99 | 104 | 109 |
| C(40) | C(41) | C(42) | C(43) | C(44) | C(45) | C(46) | C(47) |
| 114 | 119 | 124 | 129 | 134 | 140 | 146 | 152 |
| C(48) | C(49) | C(50) | C(51) | C(52) | C(53) | C(54) | C(55) |
| 158 | 164 | 170 | 176 | 182 | 188 | 195 | 202 |
| C(56) | C(57) | C(58) | C(59) | C(60) | C(61) | C(62) | C(63) |
| 209 | 216 | 223 | 230 | 237 | 244 | 251 | 255 |

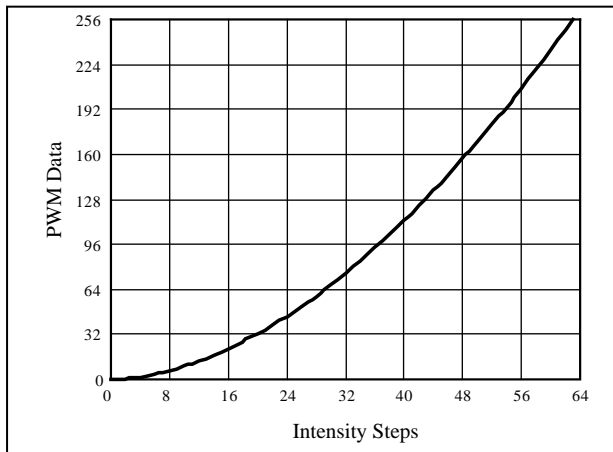


Figure 7 Gamma Correction(64 Steps)

Note, the data of 32 gamma steps is the standard value and the data of 64 gamma steps is the recommended value.

SHUTDOWN MODE

Shutdown mode can either be used as a means of reducing power consumption or generating a flashing display (repeatedly entering and leaving shutdown mode). During shutdown mode all registers retain their data.

SOFTWARE SHUTDOWN

By setting SSD bit of the Configuration Register (00h) to "0", the IS31FL3218 will operate in software shutdown mode, wherein they consume only 3.1 μ A (Typ.) current. When the IS31FL3218 is in software shutdown mode, all current sources are switched off.

HARDWARE SHUTDOWN

The chip enters hardware shutdown mode when the SDB pin is pulled low.

IS31FL3218

CLASSIFICATION REFLOW PROFILES

| Profile Feature | Pb-Free Assembly |
|---|------------------|
| Preheat & Soak | |
| Temperature min (T _{smn}) | 150°C |
| Temperature max (T _{smax}) | 200°C |
| Time (T _{smn} to T _{smax}) (t _s) | 60-120 seconds |
| Average ramp-up rate (T _{smax} to T _p) | 3°C/second max. |
| Liquidous temperature (T _L) | 217°C |
| Time at liquidous (t _L) | 60-150 seconds |
| Peak package body temperature (T _p)* | Max 260°C |
| Time (t _p)** within 5°C of the specified classification temperature (T _c) | Max 30 seconds |
| Average ramp-down rate (T _p to T _{smax}) | 6°C/second max. |
| Time 25°C to peak temperature | 8 minutes max. |

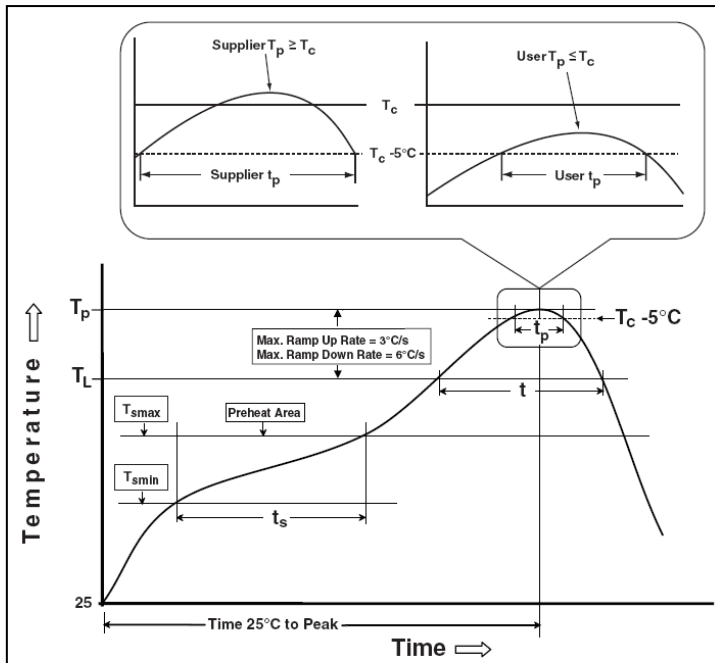
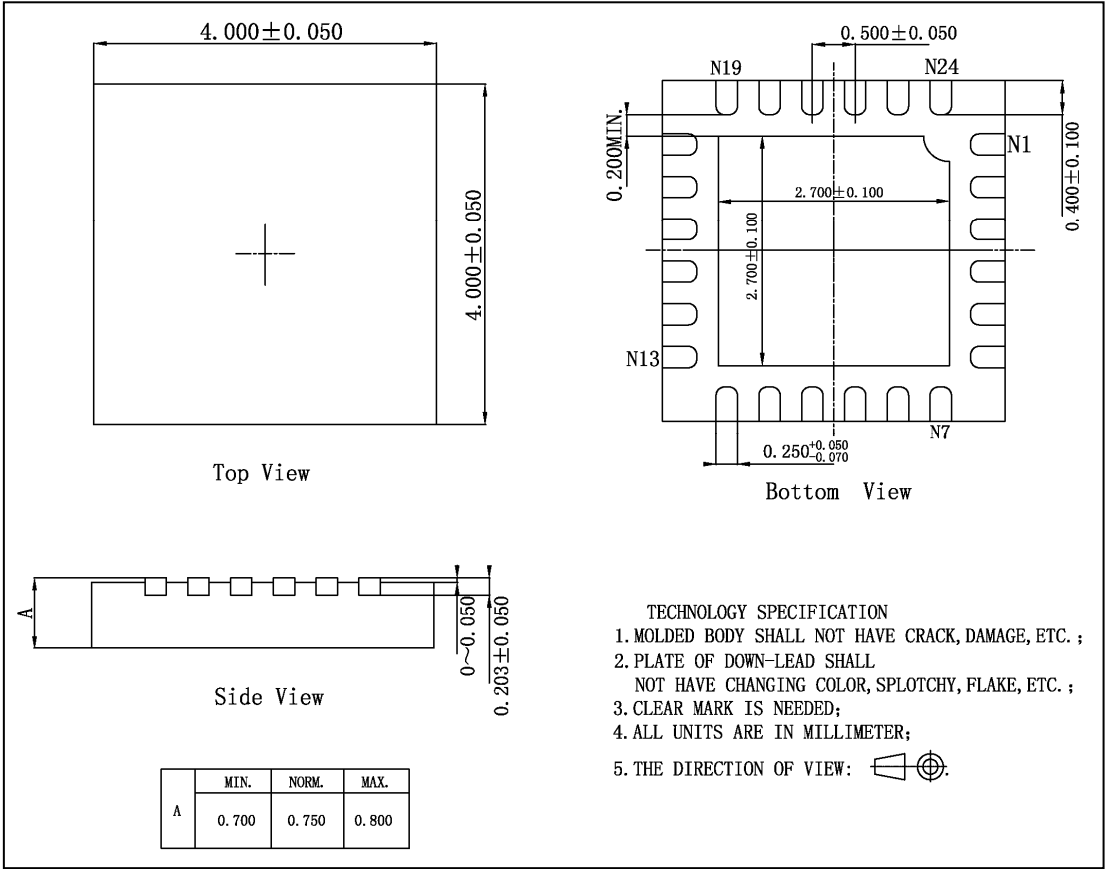


Figure 8 Classification profile

IS31FL3218

PACKAGE INFORMATION

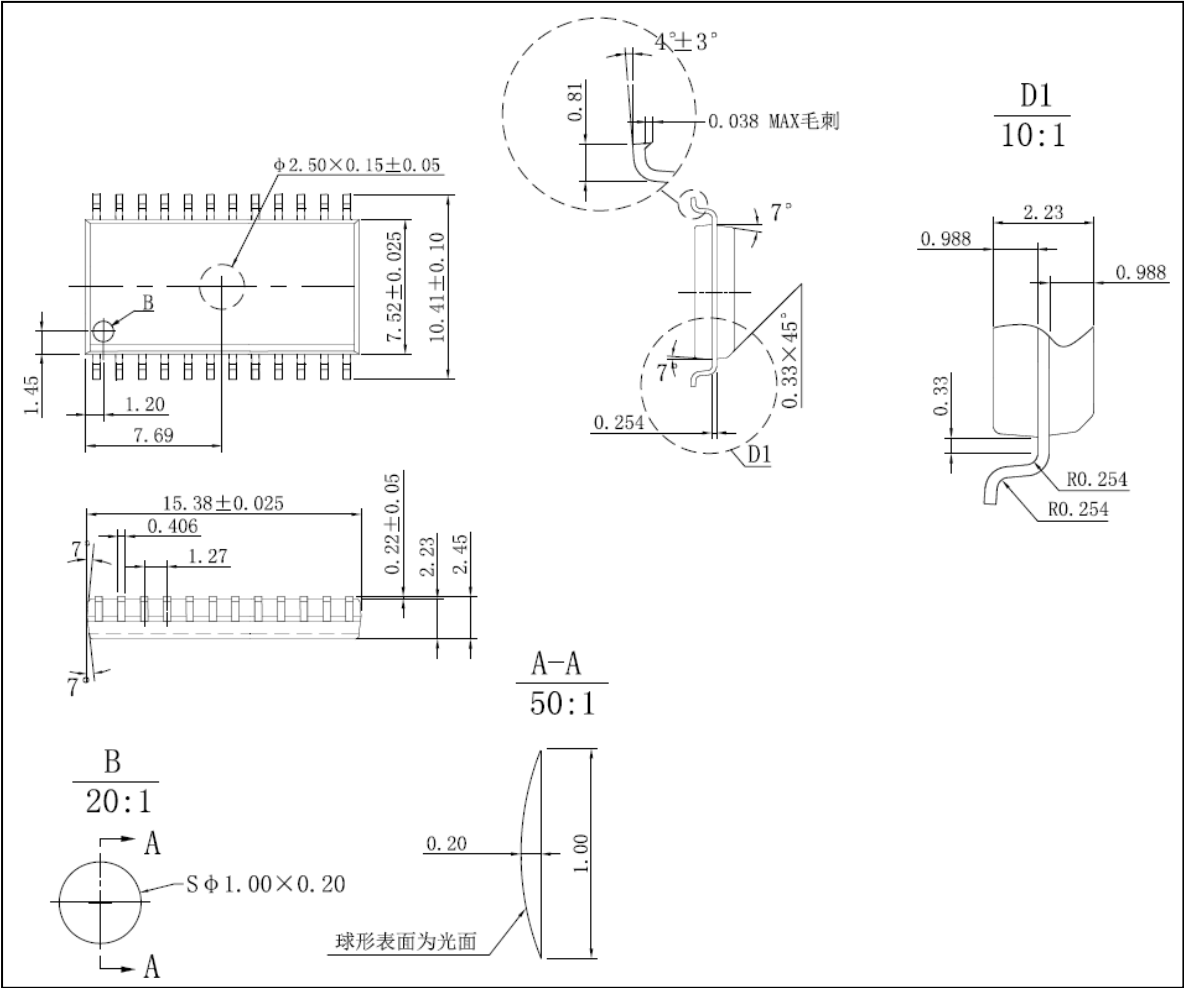
QFN-24



Note: All dimensions in millimeters unless otherwise stated.

IS31FL3218

SOP-24



Данный компонент на территории Российской Федерации

Вы можете приобрести в компании MosChip.

Для оперативного оформления запроса Вам необходимо перейти по данной ссылке:

<http://moschip.ru/get-element>

Вы можете разместить у нас заказ для любого Вашего проекта, будь то серийное производство или разработка единичного прибора.

В нашем ассортименте представлены ведущие мировые производители активных и пассивных электронных компонентов.

Нашей специализацией является поставка электронной компонентной базы двойного назначения, продукции таких производителей как XILINX, Intel (ex.ALTERA), Vicor, Microchip, Texas Instruments, Analog Devices, Mini-Circuits, Amphenol, Glenair.

Сотрудничество с глобальными дистрибьюторами электронных компонентов, предоставляет возможность заказывать и получать с международных складов практически любой перечень компонентов в оптимальные для Вас сроки.

На всех этапах разработки и производства наши партнеры могут получить квалифицированную поддержку опытных инженеров.

Система менеджмента качества компании отвечает требованиям в соответствии с ГОСТ Р ИСО 9001, ГОСТ РВ 0015-002 и ЭС РД 009

Офис по работе с юридическими лицами:

105318, г.Москва, ул.Щербаковская д.3, офис 1107, 1118, ДЦ «Щербаковский»

Телефон: +7 495 668-12-70 (многоканальный)

Факс: +7 495 668-12-70 (доб.304)

E-mail: info@moschip.ru

Skype отдела продаж:

moschip.ru

moschip.ru_4

moschip.ru_6

moschip.ru_9