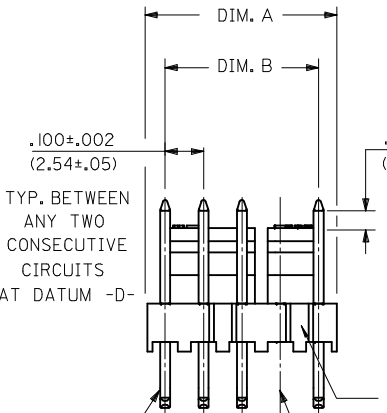
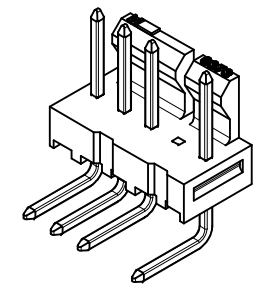


NOTES:

- MATERIAL: NYLON, UL94V-0, COLOR: WHITE
- FINISH:
 - (197) OVERALL REFLOWED MATTE TIN: 0.00152/.000060 MIN. OVER 0.00127/.000050 MIN. NICKEL OVERALL.
 - (228) SELECT GOLD: 0.00076/.000030 MIN. SELECT TIN: 0.00254/.000100 MIN. OVERALL NICKEL UNDERPLATE: 0.00127/.000050 MIN.
 - (241) SELECT GOLD: 0.00051/.000020 MIN. SELECT TIN: 0.00254/.000100 MIN. OVERALL NICKEL UNDERPLATE: 0.00127/.000050 MIN.
- PARTS CONFORM TO PRODUCT SPECIFICATION PS-10-07.
- PACKAGING INFORMATION: SEE LEGEND.
- PARTS ARE STACKABLE END TO END ON .100/(2.54) CENTERS.
- PIN PUSH OUT FORCE: 2 LBS. MIN.
- CIRCUIT ONE DESIGNATION IS USED TO DEFINE VOID LOCATION. CIRCUIT ONE MAY OR MAY NOT LINE UP WITH CIRCUIT ONE ON THE MATING HOUSING.
- PARTS CONFORM TO CLASS 'B' REQUIREMENTS OF COSMETIC SPECIFICATION PS-45499-002.

28	2.800 / 2.780 (71.12 / 70.61)	2.700 ± .010 (68.58 ± .25)
27	2.700 / 2.680 (68.58 / 68.07)	2.600 ± .010 (66.04 ± .25)
26	2.600 / 2.580 (66.04 / 65.53)	2.500 ± .010 (63.50 ± .25)
25	2.500 / 2.480 (63.50 / 62.99)	2.400 ± .010 (60.96 ± .25)
24	2.400 / 2.380 (60.96 / 60.45)	2.300 ± .010 (58.42 ± .25)
NO. OF CKTS.	DIM. A	DIM. B

23	2.300 / 2.282 (58.42 / 57.96)	2.200 ± .009 (55.88 ± .23)
22	2.200 / 2.182 (55.88 / 55.42)	2.100 ± .009 (53.34 ± .23)
21	2.100 / 2.082 (53.34 / 52.88)	2.000 ± .009 (50.80 ± .23)
20	2.000 / 1.982 (50.80 / 50.34)	1.900 ± .009 (48.26 ± .23)
19	1.900 / 1.882 (48.26 / 47.80)	1.800 ± .009 (45.72 ± .23)
18	1.800 / 1.784 (45.72 / 45.31)	1.700 ± .008 (43.18 ± .20)
17	1.700 / 1.684 (43.18 / 42.77)	1.600 ± .008 (40.64 ± .20)
16	1.600 / 1.584 (40.64 / 40.23)	1.500 ± .008 (38.10 ± .20)
15	1.500 / 1.484 (38.10 / 37.69)	1.400 ± .008 (35.56 ± .20)
14	1.400 / 1.386 (35.56 / 35.20)	1.300 ± .007 (33.02 ± .18)
13	1.300 / 1.286 (33.02 / 32.66)	1.200 ± .007 (30.48 ± .18)
12	1.200 / 1.186 (30.48 / 30.12)	1.100 ± .007 (27.94 ± .18)
11	1.100 / 1.086 (27.94 / 27.58)	1.000 ± .007 (25.40 ± .18)
10	1.000 / .986 (25.40 / 25.04)	.900 ± .006 (22.86 ± .15)
9	.900 / .886 (22.86 / 22.50)	.800 ± .006 (20.32 ± .15)
8	.800 / .786 (20.32 / 19.96)	.700 ± .006 (17.78 ± .15)
7	.700 / .686 (17.78 / 17.42)	.600 ± .005 (15.24 ± .13)
6	.600 / .586 (15.24 / 14.88)	.500 ± .005 (12.70 ± .13)
5	.500 / .488 (12.70 / 12.40)	.400 ± .005 (10.16 ± .13)
4	.400 / .388 (10.16 / 9.86)	.300 ± .005 (7.62 ± .13)
3	.300 / .288 (7.62 / 7.32)	.200 ± .004 (5.08 ± .10)
2	.200 / .188 (5.08 / 4.78)	.100 ± .004 (2.54 ± .10)
NO. OF CKTS.	DIM. A	DIM. B



TYP. BETWEEN ANY TWO CONSECUTIVE CIRCUITS AT DATUM -D-

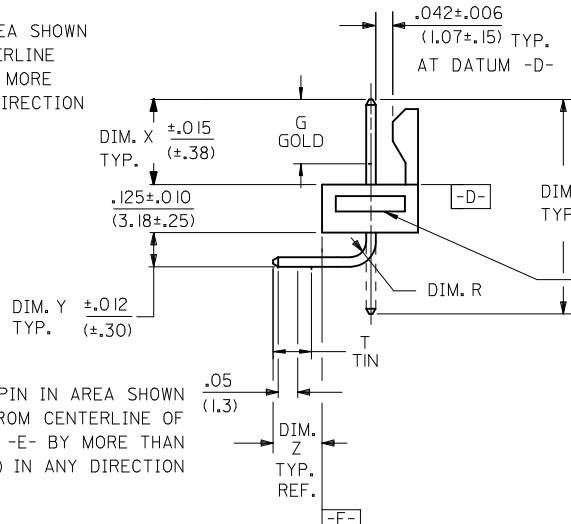
.05 (1.3) CENTERLINE OF PIN IN AREA SHOWN NOT TO VARY FROM CENTERLINE OF PIN AT DATUM -D- BY MORE THAN .008/(0.20) IN ANY DIRECTION

RECESSED GATE MAY BE PRESENT ON 2-25 CKT PARTS. LOCATION VARIES

VOIDED CKT. (SEE CHART FOR LOCATION)

CIRCUIT #1, REF SEE NOTE 7

CENTERLINE OF PIN IN AREA SHOWN NOT TO VARY FROM CENTERLINE OF PIN AT DATUM -E- BY MORE THAN .005/(0.13) IN ANY DIRECTION



GROOVE MAY BE PRESENT ON 2-6 CIRCUIT PARTS (BOTH SIDES).

A-7832- N * * * *

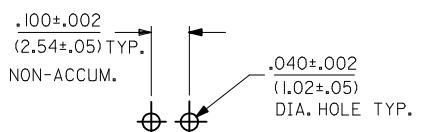
VOID CODE
BLANK=NO VOIDS
NO.=CKT. NO. VOIDED
MULT. VOIDS START WITH 51

NO. OF CKTS.

VERSION LETTER CHANGES WHEN PIN NO. OR PRESS DIM. CHANGES

SECONDARY		OPERATIONS
CODE	PACKAGE	TUBE LENGTH
BLANK	BULK PK-7478-001	N/A
A	TUBE: PK-44743-001	22.047/(560.00)

PLATING: SEE NOTE 2. FOR ADDITIONAL INFORMATION SEE SDES-88.



RECOMMENDED P.C. BOARD HOLE LAYOUT

ADD 46999-0651 EC NO: UCP2014-4150 DRWN:MKIPPER 2014/04/07 CHKD:NGUYEN 2014/04/07 APPR:FSMITH 2014/08/06	QUALITY SYMBOLS ▽=0 ▽=0 ▽=0	GENERAL TOLERANCES (UNLESS SPECIFIED)		DIMENSION STYLE IN/MM		SCALE ---	DESIGN UNITS INCH	THIRD ANGLE PROJECTION			
		4 PLACES ± --- ± ---	3 PLACES ± --- ± .010	2 PLACES ± 0.25 ± .015	1 PLACE ± 0.36 ± ---	0 PLACE ± --- ± ---	DRAWN BY MKIPPER	DATE 2014/04/07	TITLE FRICTION LOCK HEADER ASY .100 CL. BENT SQ. PINS 7832 SERIES DWG. W/VOIDS		
		ANGULAR ±1/2°					CHECKED BY SAMIEC	DATE 98/10/09	DOCUMENT NO. SDA-7832		
		DRAFT WHERE APPLICABLE MUST REMAIN WITHIN DIMENSIONS					APPROVED BY FSMITH	DATE 2014/08/06	SHEET NO. 1 OF 3		
THIS DRAWING CONTAINS INFORMATION THAT IS PROPRIETARY TO MOLEX INCORPORATED AND SHOULD NOT BE USED WITHOUT WRITTEN PERMISSION											

A-7832-NA197-*			A-7832-NB197-*			A-7832-NA241-*			A-7832-NA228-*		
PART NO.	ENG. NO(SUFFIX ONLY)	VOID CKT.	PART NO.	ENG. NO(SUFFIX ONLY)	VOID CKT.	PART NO.	ENG. NO(SUFFIX ONLY)	VOID CKT.	PART NO.	ENG. NO(SUFFIX ONLY)	VOID CKT.
22-05-8059	A-7832-5A197-2	2	22-05-8109	A-7832-10B197-6	6	22-19-2070	A-7832-7A241-6	6	22-19-2098	A-7832-9A228-3	3
22-05-8199	A-7832-19A197-14	14	22-05-8078	A-7832-7B197-4	4	22-19-2060	A-7832-6A241-3	3	22-19-2099	A-7832-9A228-4	4
22-05-8069	A-7832-6A197-2	2				22-19-2090	A-7832-9A241-6	6	22-19-2048	A-7832-4A228-3	3
22-05-8076	A-7832-7A197-4	4									
22-05-8077	A-7832-7A197-5	5									
22-05-8068	A-7832-6A197-5	5									
22-05-8047	A-7832-4A197-2	2									
22-05-8079	A-7832-7A197-3	3									
22-05-8116	A-7832-11A197-6	6									
	A-7832-5A197-4	4									
22-05-8253	A-7832-25A197-1	1									
22-05-8129	A-7832-12A197-10	10									
22-05-8159	A-7832-15A197-14	14									
22-05-8128	A-7832-12A197-4	4									
22-05-8049	A-7832-4A197-3	3									
22-05-8086	A-7832-8A197-4	4									
22-05-8113	A-7832-11A197-51	1,5,9									
22-05-8162	A-7832-16A197-51	1,8									
22-05-8087	A-7832-8A197-2	2									
22-05-8088	A-7832-8A197-6	6									
22-05-8089	A-7832-8A197-7	7									
22-05-8104	A-7832-10A197-2	2									
22-05-8105	A-7832-10A197-9	9									
22-05-8084	A-7832-8A197-3	3									
22-05-3277	A-7832-27A197-51	3,7,9,11,14 16,21,23									
22-05-8143	A-7832-14A197-51	2,3,5,6									
46999-0581	A-7832-17A197-51	3,6,12,15									
46999-0651	A-7832-3A197-2	2									

COLUMN NO. 1	CON'T. IN COLUMN NO.	SHEET NO.	COLUMN NO. 2	CON'T. IN COLUMN NO.	SHEET NO.	COLUMN NO. 3	CON'T. IN COLUMN NO.	SHEET NO.	COLUMN NO. 4	CON'T. IN COLUMN NO.	SHEET NO.
--------------	----------------------	-----------	--------------	----------------------	-----------	--------------	----------------------	-----------	--------------	----------------------	-----------

SEE SHEET 1 EC NO: UCP2014-4150 DRAWN: MKIPPER 2014/04/07 CHKD: NGUYEN 2014/04/07 APPR: FSMITH 2014/08/06	QUALITY SYMBOLS	GENERAL TOLERANCES (UNLESS SPECIFIED)	DIMENSION STYLE	SCALE	DESIGN UNITS	THIRD ANGLE PROJECTION
	▽=0	mm INCH	IN/MM	---	INCH	
	▽=0	4 PLACES ± --- ± ---	DRAWN BY DATE	TITLE		
	▽=0	3 PLACES ± --- ±.010	2014/04/07	FRICITION LOCK HEADER ASY		
	2 PLACES ± 0.25 ±.015	CHECKED BY DATE	.100 CL. BENT SQ. PINS			
	1 PLACE ± 0.36 ± ---	SAMIEC 98/10/09	7832 SERIES DWG. W/VOIDS			
	0 PLACE ± --- ± ---	APPROVED BY DATE	molex			
	ANGULAR ±1/2°	FSMITH 2014/08/06	MATERIAL NO.	DOCUMENT NO.	SHEET NO.	
	DRAFT WHERE APPLICABLE MUST REMAIN WITHIN DIMENSIONS	SEE CHART		SDA-7832	3 OF 3	
		SIZE	THIS DRAWING CONTAINS INFORMATION THAT IS PROPRIETARY TO MOLEX INCORPORATED AND SHOULD NOT BE USED WITHOUT WRITTEN PERMISSION			

Данный компонент на территории Российской Федерации

Вы можете приобрести в компании MosChip.

Для оперативного оформления запроса Вам необходимо перейти по данной ссылке:

<http://moschip.ru/get-element>

Вы можете разместить у нас заказ для любого Вашего проекта, будь то серийное производство или разработка единичного прибора.

В нашем ассортименте представлены ведущие мировые производители активных и пассивных электронных компонентов.

Нашей специализацией является поставка электронной компонентной базы двойного назначения, продукции таких производителей как XILINX, Intel (ex.ALTERA), Vicor, Microchip, Texas Instruments, Analog Devices, Mini-Circuits, Amphenol, Glenair.

Сотрудничество с глобальными дистрибьюторами электронных компонентов, предоставляет возможность заказывать и получать с международных складов практически любой перечень компонентов в оптимальные для Вас сроки.

На всех этапах разработки и производства наши партнеры могут получить квалифицированную поддержку опытных инженеров.

Система менеджмента качества компании отвечает требованиям в соответствии с ГОСТ Р ИСО 9001, ГОСТ РВ 0015-002 и ЭС РД 009

Офис по работе с юридическими лицами:

105318, г.Москва, ул.Щербаковская д.3, офис 1107, 1118, ДЦ «Щербаковский»

Телефон: +7 495 668-12-70 (многоканальный)

Факс: +7 495 668-12-70 (доб.304)

E-mail: info@moschip.ru

Skype отдела продаж:

moschip.ru

moschip.ru_4

moschip.ru_6

moschip.ru_9