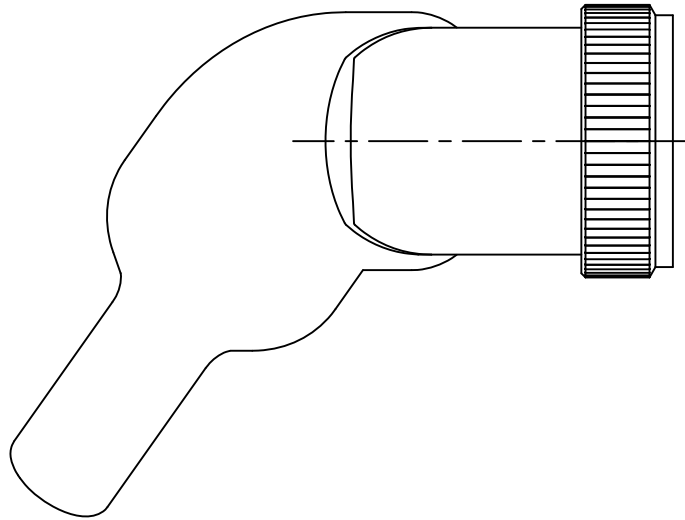


THIS DRAWING AND THE INFORMATION SET FORTH HEREON ARE THE PROPERTY OF TYCO ELECTRONICS AND ARE TO BE HELD IN TRUST AND CONFIDENCE. PUBLICATION, DUPLICATION, DISCLOSURE, OR USE FOR ANY PURPOSE NOT EXPRESSLY AUTHORIZED IN WRITING BY TYCO ELECTRONICS IS PROHIBITED.

REVISIONS

| LTR | DESCRIPTION | DATE | APPROVED |
|-----|----------------------------|----------|----------|
| A | RELEASED PER ECO-11-025206 | 12/16/11 | B. WONG |



SPIN-LOCK ADAPTER, HEAT SHRINKABLE MOLDED PART, SEALED


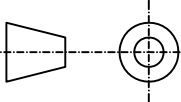
NOTES:

1. THIS PRODUCT IS DESIGNED TO TERMINATE A BRAIDED CABLE SHIELD AND A HEAT SHRINKABLE LIPPED BOOT TO A CONNECTOR AND PROVIDE STRAIN RELIEF.
2. SEE DRAWING "TR" FOR DETAIL ON TINEL-LOCK RING. RINGS ARE DESIGNED TO BE HEATED ELECTRICALLY. ALL RINGS ARE MARKED WITH THERMOCHROMIC PAINT WHICH CHANGES COLOR WHEN INSTALLATION TEMPERATURE IS REACHED.
3. ADAPTER TO BE PERMANENTLY MARKED WITH CODE IDENT. NO. AND PART NO. LESS RING DESIGNATOR (E.G.: 06090-XXXXXXXX-XXXX).
4. ADAPTER MATES TO MIL-C-38999, SERIES I & II, CLASS E & T; MS27466, MS27467 MS27468, MS27472, MS27473, MS27479, MS27480, MS27481, MS27484, MS27497 MS27652, MS27653, MS27656 CONNECTORS.
5. INSTALLATION PROCEDURE MIP-103.
6. PERFORMANCE SPECIFICATION MPS-103.
7. FOR ADDITIONAL ORDERING INFORMATION SEE CH00-0250-019.

If this document is printed it becomes uncontrolled. Check for the latest revision

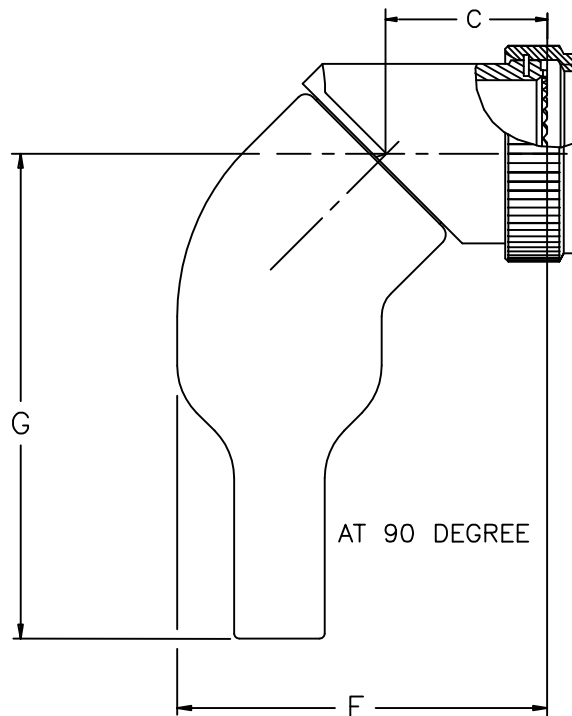
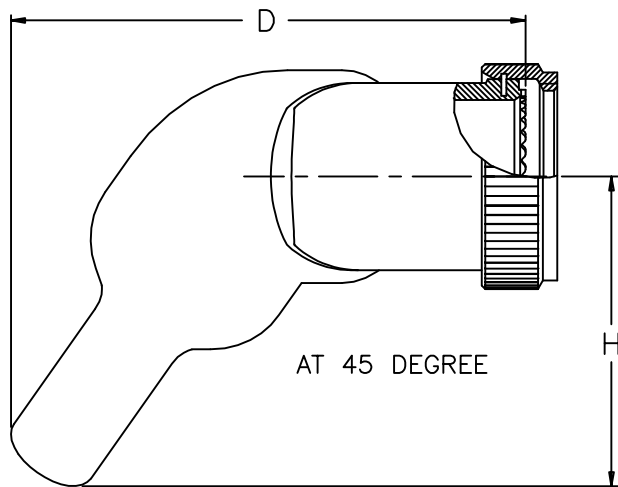
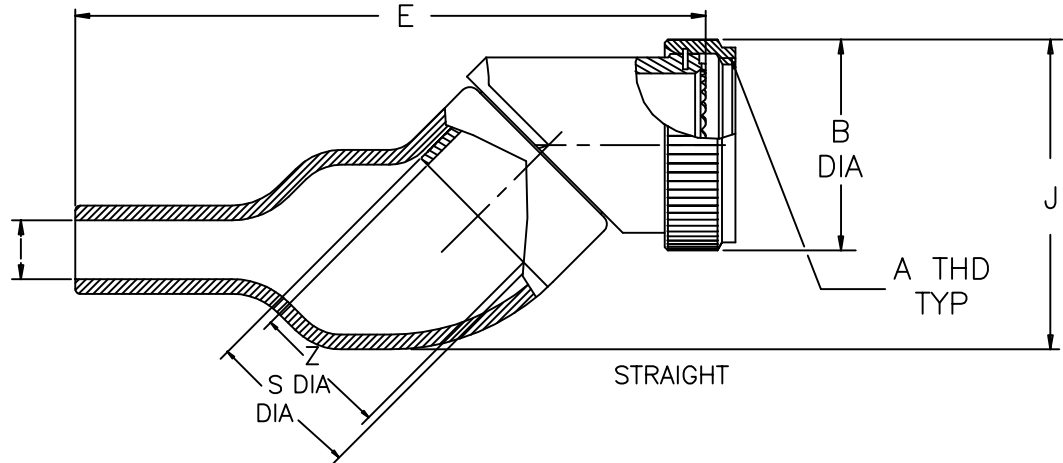
2011 Tyco Electronics Corporation. All rights reserved.

Raychem Adapters
CUSTOMER DRAWING

| | | | | | |
|---|--|-------------------|--|-------------------|----------|
| UNLESS OTHERWISE SPECIFIED DIMENSIONS ARE IN INCHES AND TOLERANCES ARE: .XXX ± — .XX ± — ± — | DRAWN D JAIN | DATE 12OCT2011 |  | TE Connectivity | |
| | CHECKED BERT W | DATE 12OCT2011 | | | |
| | APPROVED | DATE | | | |
| MATERIAL SEE NOTES | THIRD ANGLE PROJECTION  | | TITLE SPIN-LOCK ADAPTER, HEAT SHRINKABLE MOLDED PART, SEALED, CODE 41 | | |
| FINISH — | CAD NAME SLM41_a.dwg | SIZE A | CAGE CODE: 06090 | DWG. NO. SLM41 | REV A |
| | RPN: — | SCALE: NONE | | SHEET 1 OF 3 | |

| REVISIONS | | | |
|-----------|----------------------------|----------|----------|
| LTR | DESCRIPTION | DATE | APPROVED |
| A | RELEASED PER ECO-11-025206 | 12/16/11 | B. WONG |

e.g SLM 41AB - 1610A



Raychem Adapters
CUSTOMER DRAWING

| | | | |
|-------------|---------------------|-------------------|----------|
| SIZE A | CAGE CODE: 06090 | DWG. NO. SLM41 | REV A |
| SCALE: NONE | | SHEET 2 OF 3 | |

| REVISIONS | | | |
|-----------|----------------------------|----------|----------|
| LTR | DESCRIPTION | DATE | APPROVED |
| A | RELEASED PER ECO-11-025206 | 12/16/11 | B. WONG |

TABLE I

| ORDER NO. | SHELL SIZE | | AVAILABLE ENTRY SIZES | | A METRIC THD CLASS 6H | B DIA MAX | C MAX DIM |
|-----------|------------|--------|-----------------------|-------|-----------------------|-----------------|-----------------|
| | SER I | SER II | SMALL | LARGE | | | |
| 08 | 09 | 8 | 04 | - | .438-28 UNEF | .61 [15.49] | .65 [16.6] |
| 10 | 11 | 10 | 04 | 06 | .562-24 UNEF | .73 [18.54] | .76 [19.20] |
| 12 | 13 | 12 | 06 | 08 | .688-24 UNEF | .85 [21.59] | .83 [21.2] |
| 14 | 15 | 14 | 08 | 10 | .812-20 UNEF | 1.01 [25.65] | .94 [23.90] |
| 16 | 17 | 16 | 10 | 12 | .938-20 UNEF | 1.14 [28.95] | .92 [23.37] |
| 18 | 19 | 18 | 10 | 14 | 1.062-18 UNEF | 1.28 [32.51] | 1.37 [34.8] |
| 20 | 21 | 20 | 12 | 16 | 1.188-18 UNEF | 1.40 [35.56] | 1.02 [25.08] |
| 22 | 23 | 22 | 14 | 18 | 1.312-18 UNEF | 1.54 [39.11] | 1.13 [28.8] |
| 24 | 25 | 24 | 16 | 20 | 1.438-18 UNEF | 1.66 [42.16] | 1.15 [29.23] |

TABLE II

| ORDER NO. | D MAX DIM | E MAX DIM | F MAX DIM | G MAX DIM | H MAX DIM | I MAX DIM | J MAX DIM |
|-----------|-----------------|------------------|-----------------|-----------------|-----------------|-----------------|-----------------|
| 08 | 2.00 [50.7] | 2.45 [62.23] | 1.50 [38.02] | 1.82 [46.2] | 1.03 [26.16] | 1.05 [26.67] | 1.15 [29.20] |
| 10 | 2.28 [57.91] | 3.02 [76.75] | 1.65 [41.91] | 2.33 [59.18] | 1.32 [33.50] | 1.10 [27.9] | 1.35 [34.40] |
| 12 | 2.44 [62.0] | 3.15 [76.70] | 1.80 [45.80] | 2.33 [59.18] | 1.37 [34.80] | 1.20 [30.5] | 1.41 [35.9] |
| 14 | 2.70 [68.50] | 3.47 [88.1] | 2.03 [51.6] | 2.55 [64.77] | 1.52 [38.61] | 1.15 [29.21] | 1.61 [41.1] |
| 16 | 2.65 [67.40] | 3.52 [89.5] | 2.03 [51.56] | 2.55 [64.77] | 1.44 [36.5] | 1.20 [30.5] | 1.76 [44.8] |
| 18 | 2.64 [67.1] | 3.85 [97.90] | 2.23 [56.64] | 2.90 [73.66] | 1.77 [44.96] | 1.15 [29.21] | 1.89 [48.10] |
| 20 | 2.94 [74.8] | 3.89 [98.81] | 2.24 [56.90] | 2.90 [73.66] | 1.77 [44.96] | 1.20 [30.5] | 1.95 [49.6] |
| 22 | 3.43 [87.12] | 4.43 [112.52] | 2.52 [64.01] | 3.36 [85.34] | 2.16 [54.86] | 1.20 [30.5] | 2.23 [56.66] |
| 24 | 3.53 [89.65] | 4.52 [114.79] | 2.61 [66.4] | 3.36 [85.34] | 2.16 [54.86] | 1.20 [30.5] | 2.33 [59.18] |

TABLE III

| ENTRY SIZE | MOLDED PART DESCRIPTION | S DIA | Z +.010 -.020 |
|------------|-------------------------|-----------------------------------|---------------------|
| 04 | 245W032 | .376 [9.55] .370 [9.40] | .250 [6.35] |
| 06 | 245W042 | .501 [12.73] .495 [12.57] | .375 [9.53] |
| 08 | 245W042 | .626 [15.90] .619 [15.72] | .500 [12.70] |
| 10 | 245W053 | .752 [19.10] .742 [18.85] | .625 [15.88] |
| 12 | 245W053 | .877 [22.28] .867 [22.02] | .750 [19.05] |
| 14 | 245W063 | 1.002 [25.45] .991 [25.17] | .875 [22.23] |
| 16 | 245W063 | 1.127 [28.63] 1.116 [28.35] | 1.000 [25.40] |
| 18 | 245W074 | 1.252 [31.80] 1.241 [31.52] | 1.125 [28.58] |
| 20 | 245W074 | 1.377 [34.98] 1.366 [34.70] | 1.250 [31.75] |

Raychem Adapters

CUSTOMER DRAWING

| | | | |
|-----------|---------------------|-------------------|--------------|
| SIZE A | CAGE CODE: 06090 | DWG. NO. SLM41 | REV A |
| | | | SHEET 3 OF 3 |

Данный компонент на территории Российской Федерации

Вы можете приобрести в компании MosChip.

Для оперативного оформления запроса Вам необходимо перейти по данной ссылке:

<http://moschip.ru/get-element>

Вы можете разместить у нас заказ для любого Вашего проекта, будь то серийное производство или разработка единичного прибора.

В нашем ассортименте представлены ведущие мировые производители активных и пассивных электронных компонентов.

Нашей специализацией является поставка электронной компонентной базы двойного назначения, продукции таких производителей как XILINX, Intel (ex.ALTERA), Vicor, Microchip, Texas Instruments, Analog Devices, Mini-Circuits, Amphenol, Glenair.

Сотрудничество с глобальными дистрибьюторами электронных компонентов, предоставляет возможность заказывать и получать с международных складов практически любой перечень компонентов в оптимальные для Вас сроки.

На всех этапах разработки и производства наши партнеры могут получить квалифицированную поддержку опытных инженеров.

Система менеджмента качества компании отвечает требованиям в соответствии с ГОСТ Р ИСО 9001, ГОСТ РВ 0015-002 и ЭС РД 009

Офис по работе с юридическими лицами:

105318, г.Москва, ул.Щербаковская д.3, офис 1107, 1118, ДЦ «Щербаковский»

Телефон: +7 495 668-12-70 (многоканальный)

Факс: +7 495 668-12-70 (доб.304)

E-mail: info@moschip.ru

Skype отдела продаж:

moschip.ru

moschip.ru_4

moschip.ru_6

moschip.ru_9