

DESCRIPTION

The DC2420 is the starter kit for demonstrating the performance and ease of use of the [LTC[®]2984](#), which is a complete temperature measurement system on a chip. This kit includes the DC2399 (main demo circuit containing the LTC2984) and the DC2210 (a simple experiment circuit allowing bread boarding). In addition to the starter demonstration kit, sensor specific demonstration boards highlighting the performance of RTDs, thermistors, or thermocouples are also available.

- Universal Temperature Measurement Board – DC2211
- Thermocouple Board – DC2212
- Dedicated RTD Board – DC2213
- Dedicated Thermistor Board – DC2214

The DC2399 is a member of the QuikEval™ family of demonstration boards. It is designed to allow easy evaluation of the LTC2984 and may be connected to any one of the sensor daughter boards.

These daughter boards allow evaluation of the various LTC2984 sensor types (see Figure 1).

For the serial digital interface, the DC2399 may be connected to the DC2026 Linduino™ One.

Design files for this circuit board are available at <http://www.linear.com/demo/DC2420>

LT, LT, LTC, LTM, Linear Technology and the Linear logo are registered trademarks and QuikEval and Linduino are trademarks of Linear Technology Corporation. All other trademarks are the property of their respective owners.

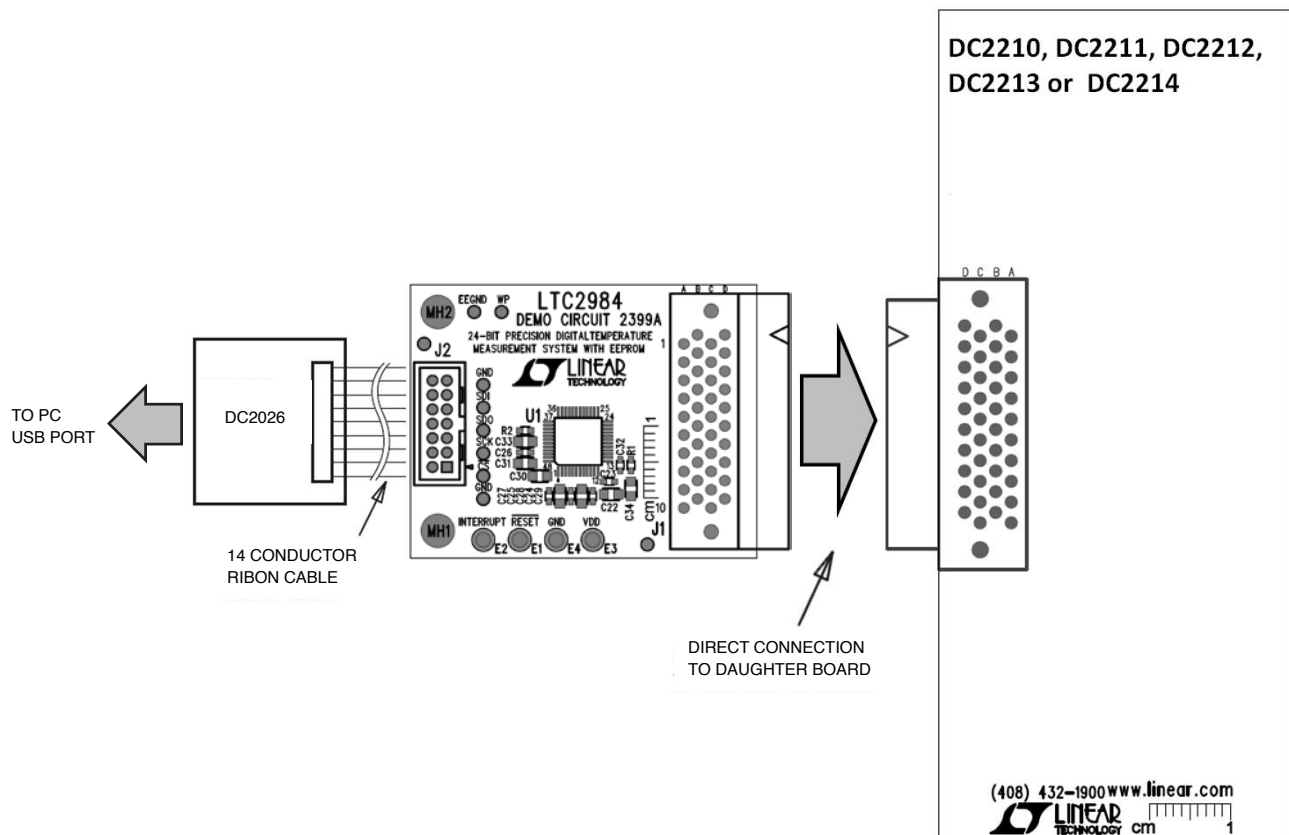


Figure 1. DC2399 Temperature Measurement Demonstration Board

QUICK START PROCEDURE

Connect one of the five sensor daughter boards (DC2210, DC2211, DC2212, DC2213 or DC2214) to the DC2399 demo board. Connect the DC2399 to a DC2026 using the supplied 14-conductor ribbon cable. Connect the DC2026 to the PC using a standard USB A/B cable. Run the QuikEval software which the latest version can be downloaded from the Linear website at www.linear.com/software. The LTC2984 demo program will be loaded automatically. Refer to software manual LTC2984DSM for more detailed information.

The demo software helps program and run the LTC2984. It can configure the LTC2984, check and save the configuration, run the LTC2984, output the results into a file, and even create Linduino One ready C code based on the configuration. The demo software allows the user to configure the LTC2984 manually or automatically from data stored in the daughter board EEPROM. Please see www.linear.com/LTC2984software for the demo software manual. It includes a short tutorial for getting started. Figure 2 shows a screenshot of the demo software at start-up.

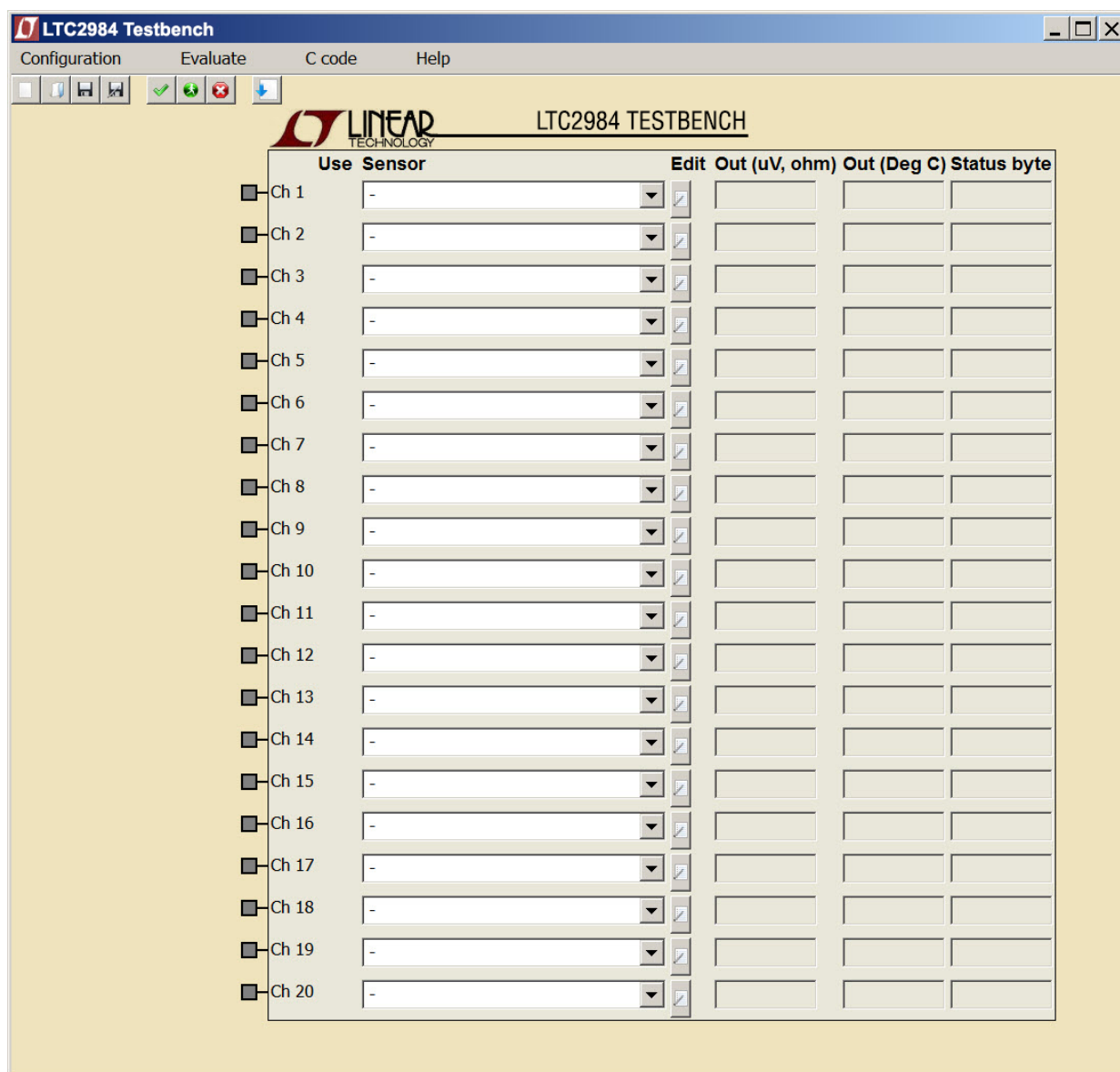


Figure 2. LTC2984 Demo Software

HARDWARE SETUP

DC2210 EXPERIMENTER BOARD (INCLUDED IN DC2420 KIT)

The DC2210 experimenter board (see Figure 3) brings all 20 channels plus the COM connection out to a proto area

and a 24-position terminal block. The user may connect any of the supported sensors and sense resistors to any of the LTC2984 inputs in this area. Figure 4 shows the connection schematic of the DC2210 Experimenter board.

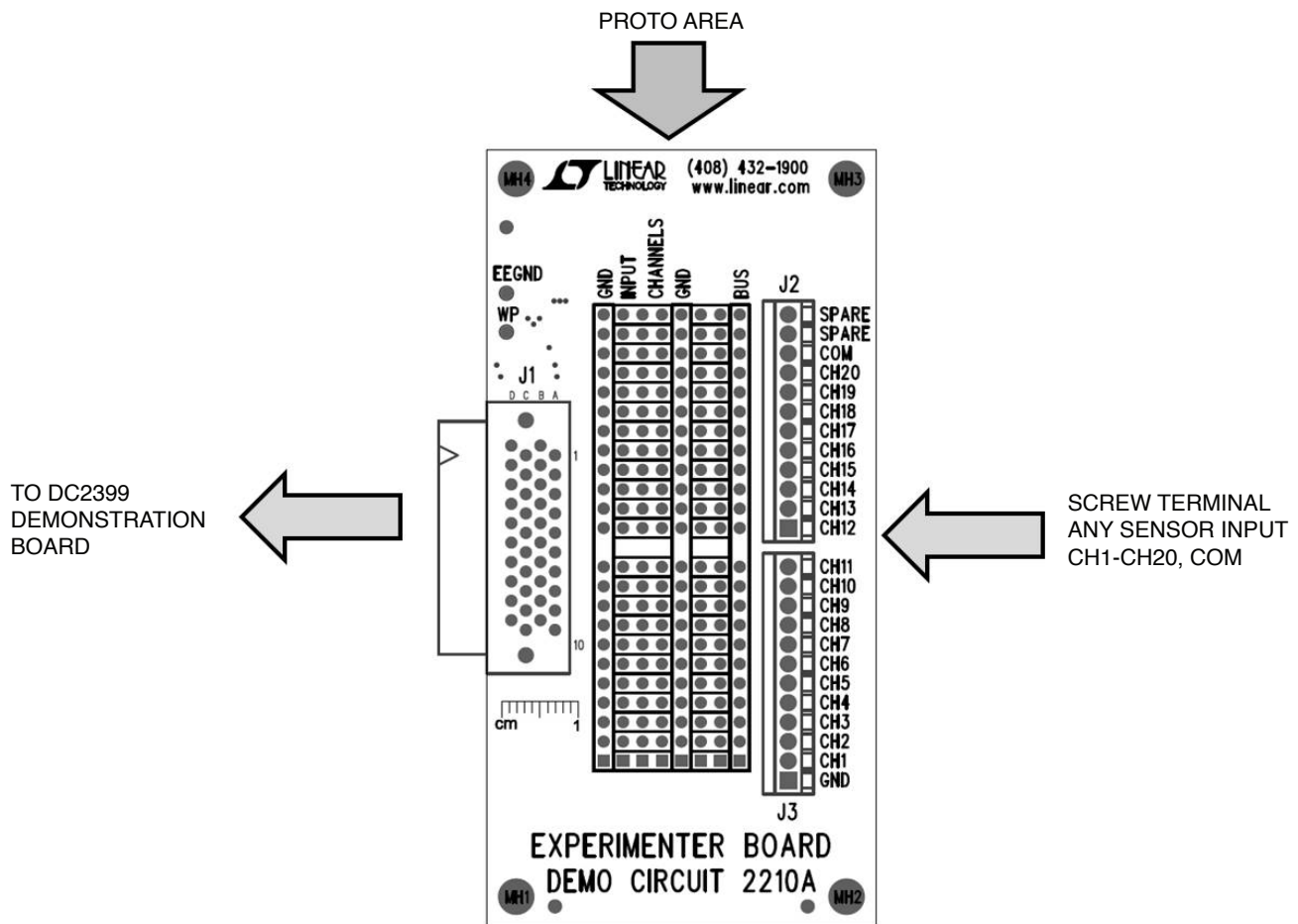


Figure 3. DC2210 Experimenter Board

HARDWARE SETUP

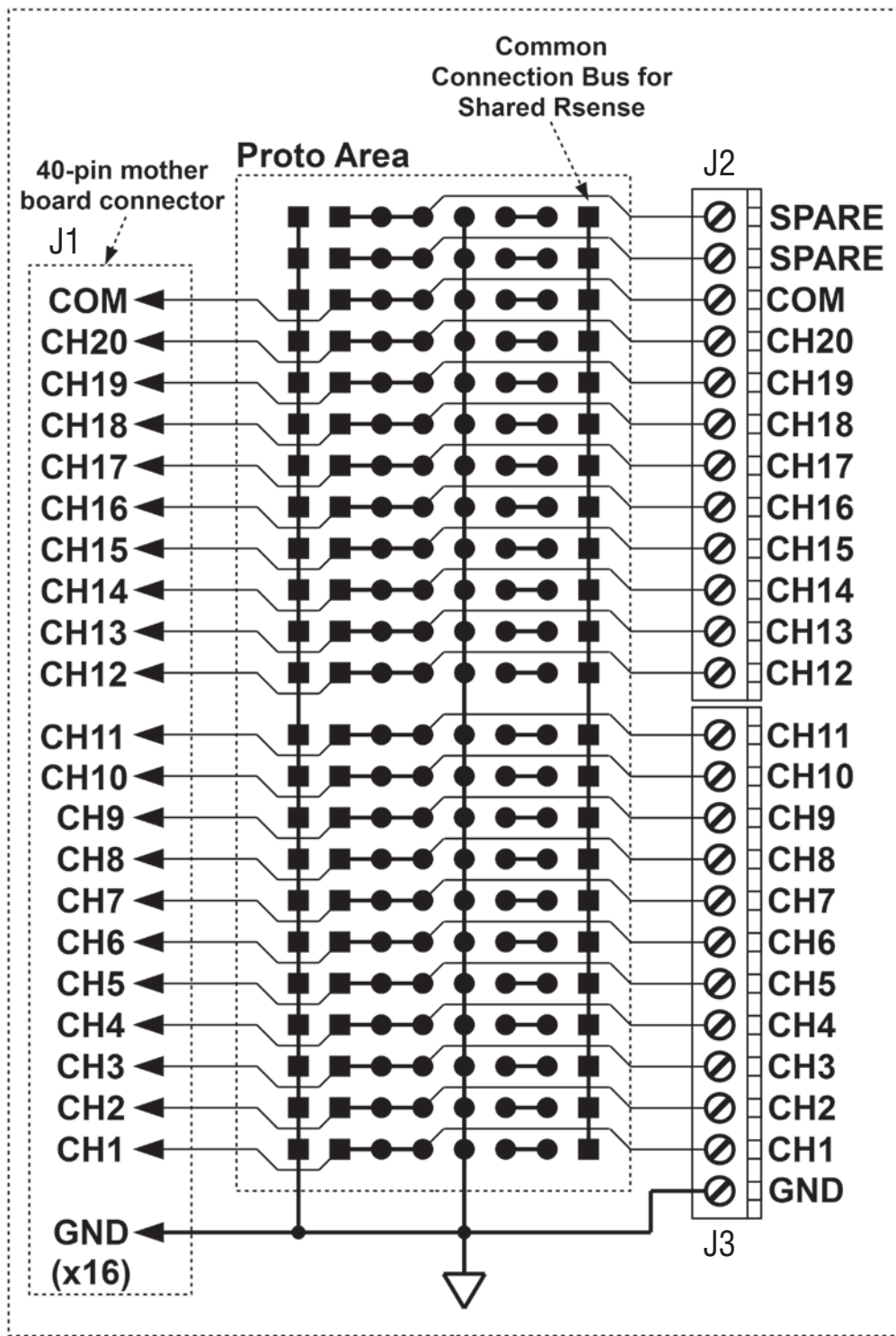


Figure 4. DC2210 Experimenter Board Schematic

HARDWARE SETUP

DC2211 UNIVERSAL TEMPERATURE MEASUREMENT BOARD

The universal temperature measurement board (see Figure 5) allows the user to connect any of the LTC2984 supported sensors to the DC2399 demo board.

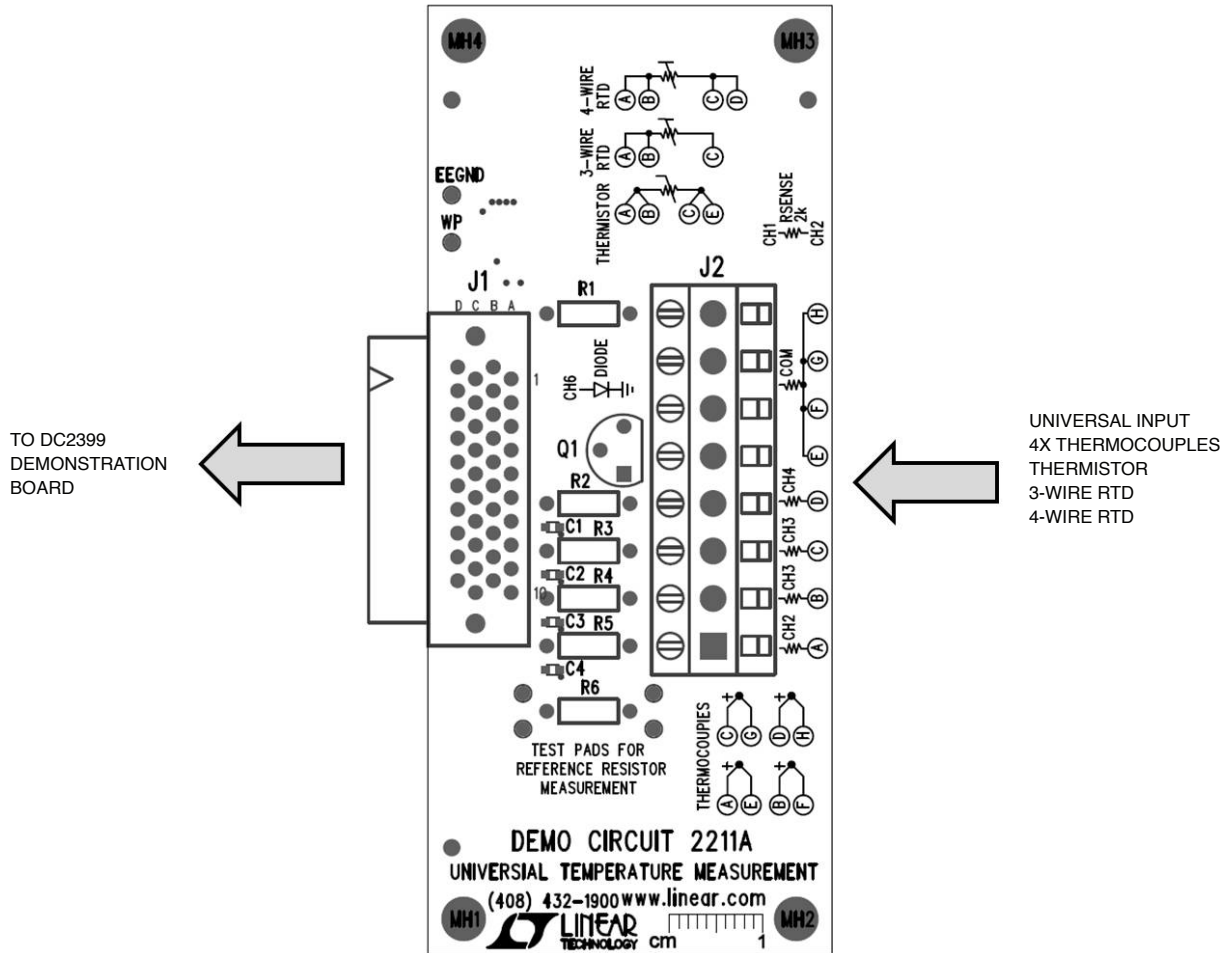


Figure 5. DC2211 Universal Temperature Measurement Board

HARDWARE SETUP

The universal temperature measurement board has a built-in sense resistor for RTD applications as well as a cold junction sensor diode for thermocouple applications (see Figure 6 for the DC2211 schematic diagram). The sense resistor is a $2k\Omega \pm 0.1\%$ $10\text{ppm}/^\circ\text{C}$ sense resistor on channels 1 and 2 which may be used with any of the supported RTD sensor types. The precise value of this sense resistor is stored in an on-board EEPROM. The LTC2984 demo software can read this EEPROM and use to configure the sense resistor value in the LTC2984's configuration memory.

The external interface on the universal temperature measurement board is an 8-position screw-terminal block with the following pinout.

Table 1. DC2211 Terminal Connector Pinout

Position A	LTC2984 CH2 as well as the low side of the on-board 2k sense resistor
Position B	LTC2984 CH3
Position C	LTC2984 CH4
Position D	LTC2984 CH5
Position E	Common/Ground Connection
Position F	Common/Ground Connection
Position G	Common/Ground Connection
Position H	Common/Ground Connection

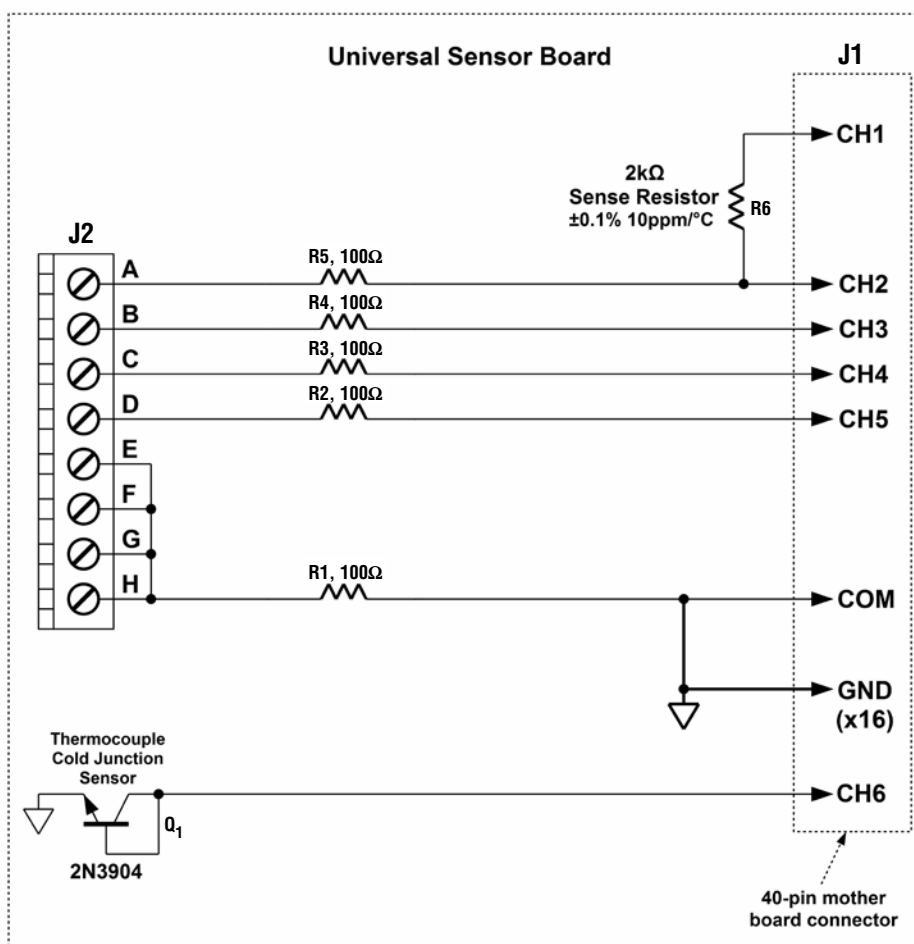


Figure 6. DC2211 Universal Temperature Measurement Board Schematic

HARDWARE SETUP

UNIVERSAL TEMPERATURE MEASUREMENT DAUGHTER BOARD EXAMPLES

- Four thermocouples connected to positions A-D with the negative connections tied to positions E-H using the on-board diode as cold junction sensor (see Figure 7a for the schematic and Figure 8a for the corresponding software configuration).

- A 4-wire RTD connected to positions A-D using the on-board sense resistor as the ratiometric reference (see Figure 7b for the schematic and Figure 8b for the corresponding software configuration).

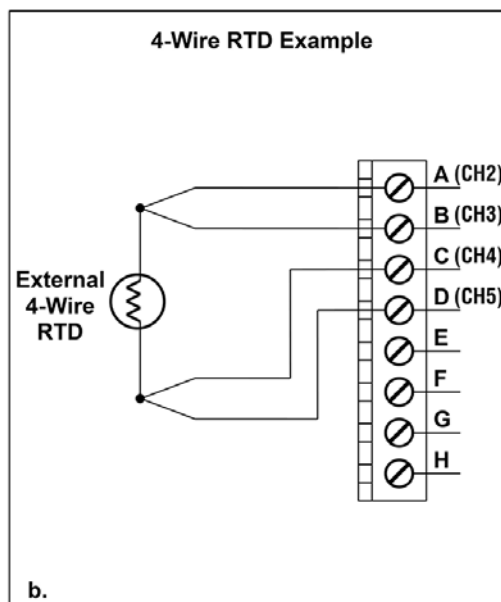
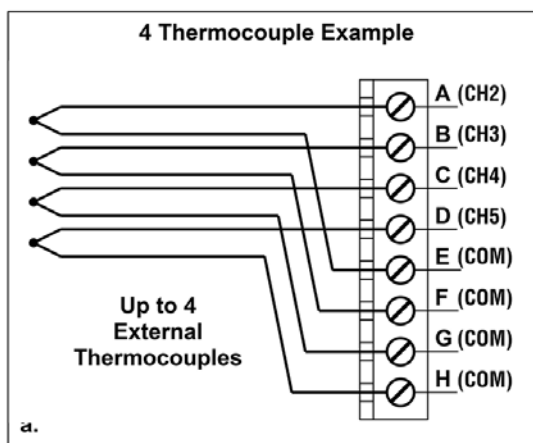


Figure 7. Universal Temperature Measurement Board Examples

HARDWARE SETUP

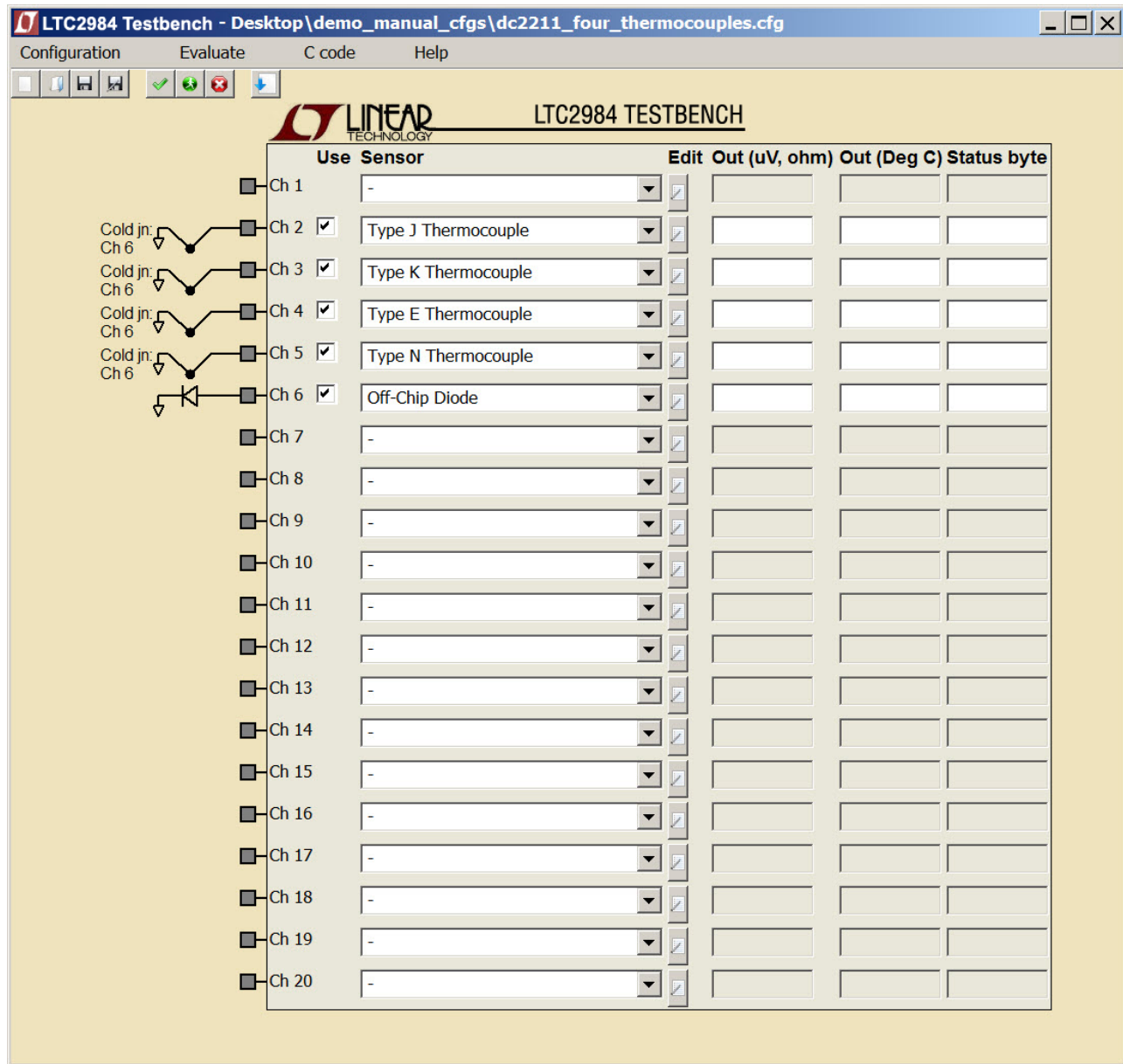


Figure 8a. DC2211 Four Thermocouple Software Configuration

HARDWARE SETUP

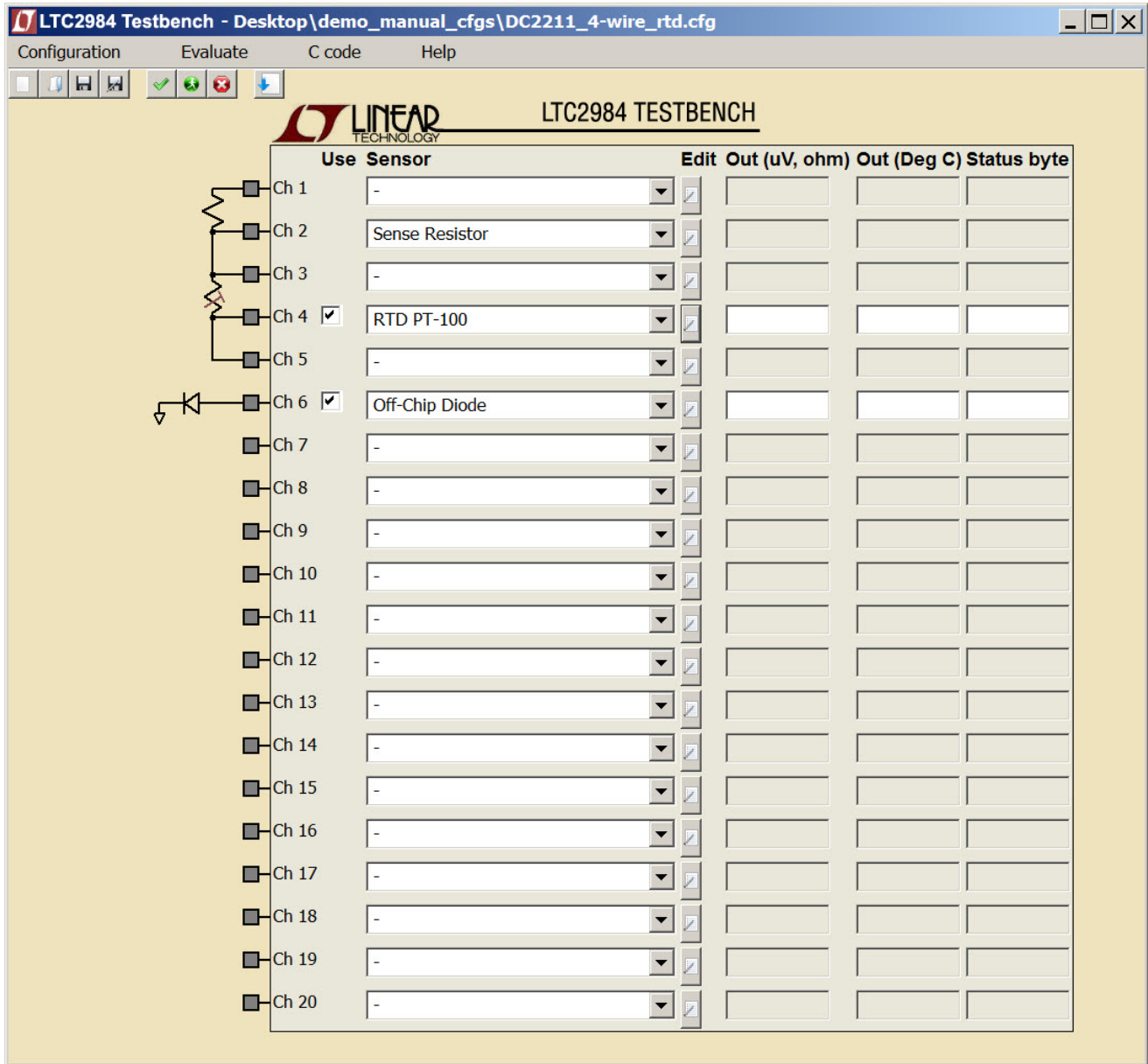


Figure 8b. DC2211 4-Wire RTD Software Configuration

HARDWARE SETUP

DC2212 THERMOCOUPLE DAUGHTER BOARD

The thermocouple board (see Figure 9) demonstrates the flexibility, accuracy, and low noise features of the LTC2984 thermocouple modes.

If the user wishes to connect external sensors to the thermocouple board, two universal-type thermocouple jacks (J2 and J3) are provided (see schematic diagram Figure 10 and corresponding software configuration Figure 11). The user may connect any of the LTC2984 supported thermocouples (B, E, J, K, N, R, S, or T) as well as custom thermocouples through these jacks.

To demonstrate the flexibility of the LTC2984, the thermocouple board includes cold junction diodes (Q1 and Q2) embedded in each thermocouple socket. Alternatively, a 4-wire PT100 RTD (R5) can be used as the cold junction sensor for either or both thermocouples.

To demonstrate the low system noise and offset of the LTC2984, the thermocouple board provides a short to ground on channel 5.

To demonstrate the accuracy of the LTC2984, the thermocouple board allows the user to connect a thermocouple calibrator or an external voltage source to CH10 of the LTC2984 through a pair of banana jacks (J4 and J5).

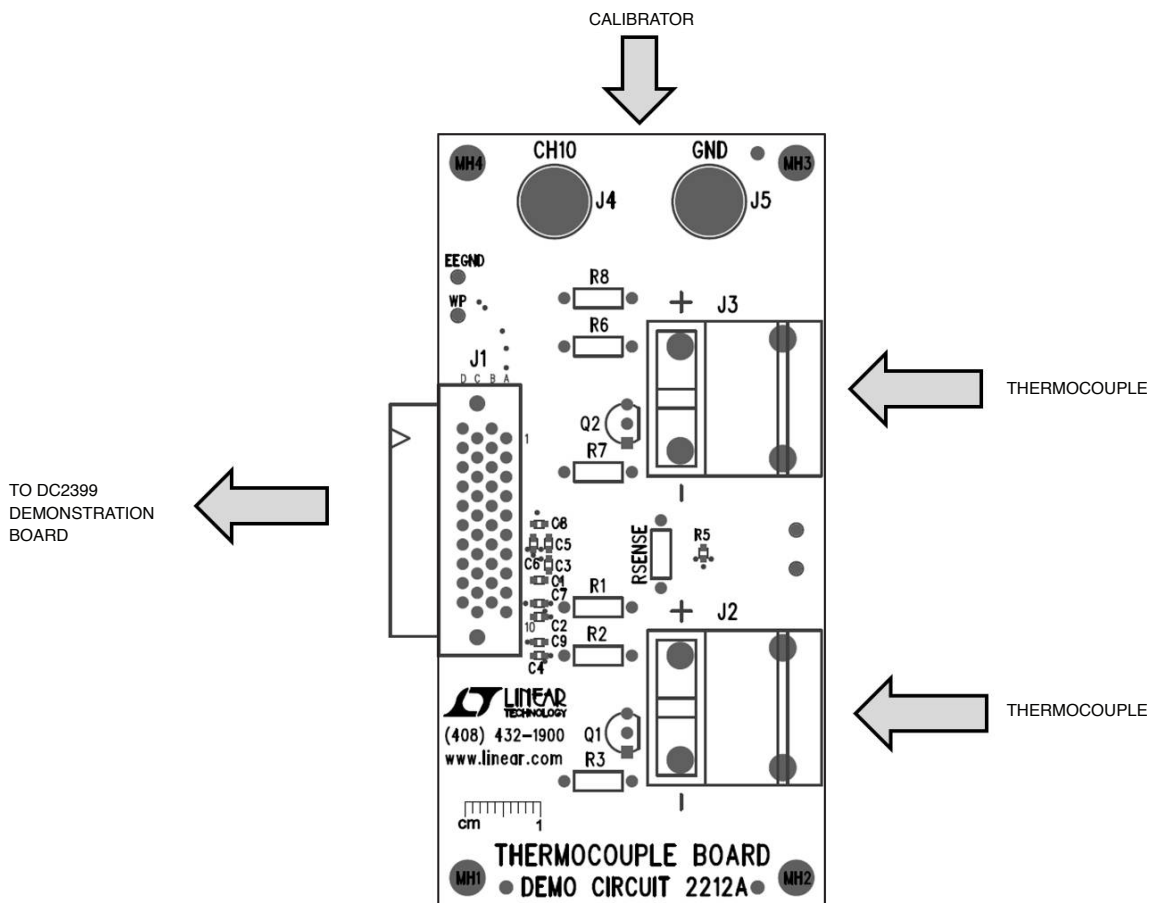


Figure 9. DC2212 Thermocouple Daughter Board

HARDWARE SETUP

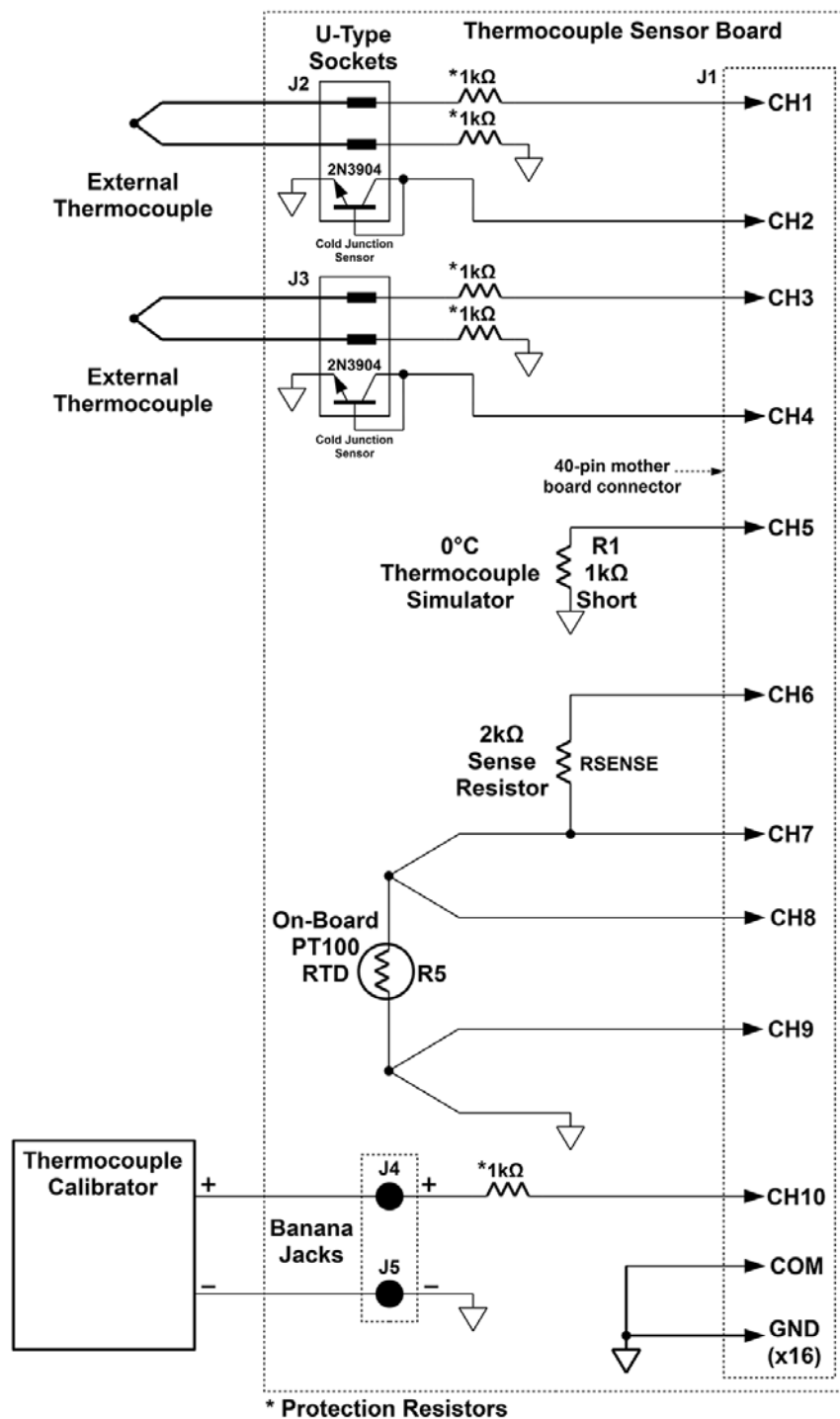


Figure 10. DC2212 Thermocouple Board Schematic

HARDWARE SETUP

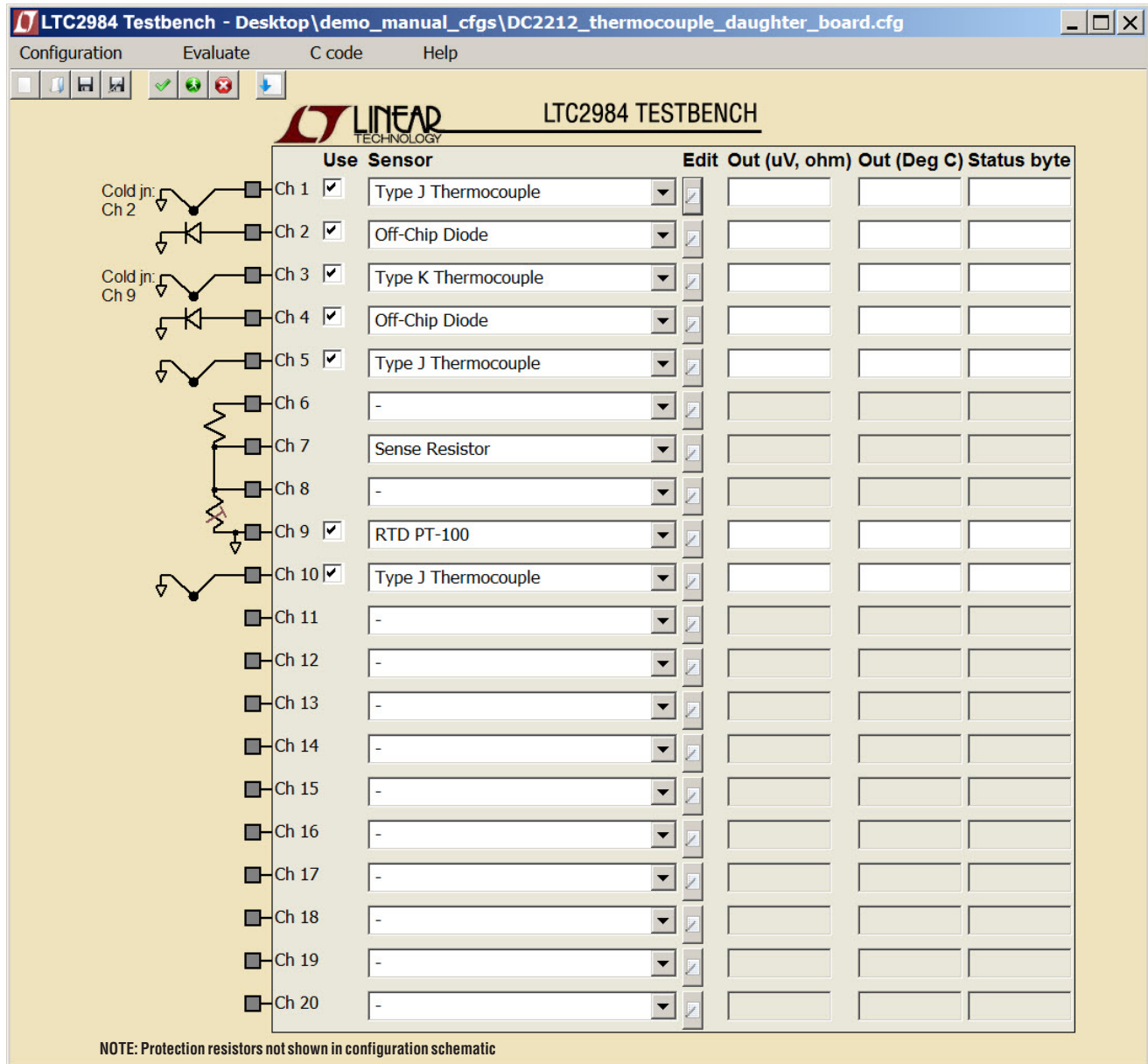


Figure 11. DC2212 Software Configuration

HARDWARE SETUP

DC2213 DEDICATED RTD BOARD

The DC2213 dedicated RTD board (see Figure 12) demonstrates the flexibility, accuracy, and low noise features of the LTC2984 RTD sensor modes. The DC2213 provides several circuits demonstrating the features of the LTC2984.

The DC2213 (see schematic diagram Figure 13 and corresponding software configuration Figure 14) provides a $2k\Omega \pm 0.1\%$ $10\text{ppm}/^\circ\text{C}$ sense resistor on channels 2 and 3 which may be used with any of the RTD sensor circuits on this board. An additional Kelvin connection is also provided to this sense resistor on channel 1. The precise

measured value of this sense resistor is stored in an on-board EEPROM which the LTC2984 demo software can read and use to configure the sense resistor value.

To demonstrate the low system noise of the LTC2984, the dedicated RTD board provides a 0°C PT100 simulator ($100\Omega \pm 0.01\%$ $10\text{ppm}/^\circ\text{C}$) on channels 3 to 6 configured as a 4-wire sensor. In addition to this the user may use this circuit to demonstrate how the rotated mode eliminates measurement error introduced by parasitic thermocouples. To facilitate this measurement, the DC2213 provides an external thermocouple interface which acts as a parasitic thermocouple.

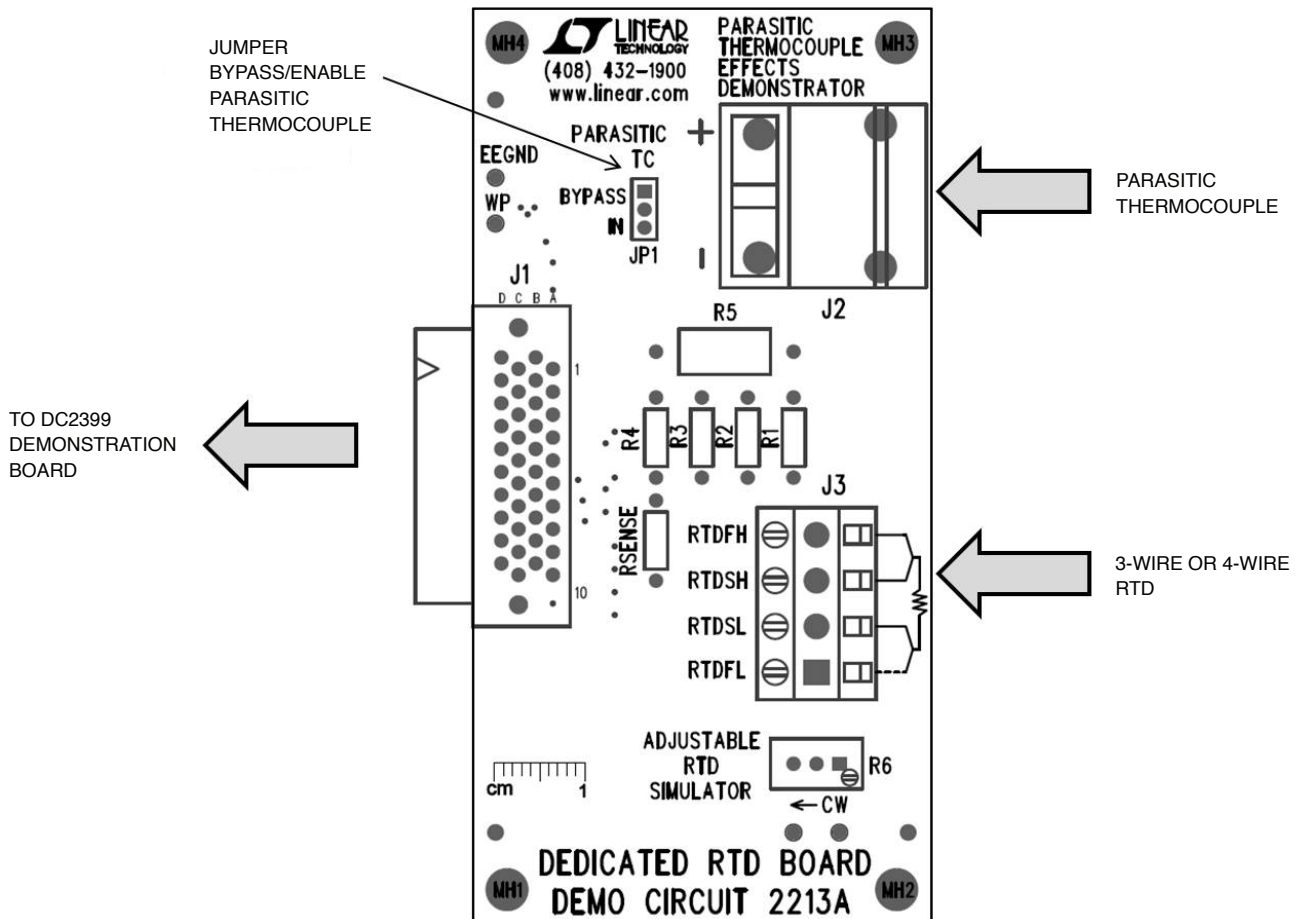


Figure 12. DC2213 Dedicated RTD Board

HARDWARE SETUP

To see the effects of parasitic thermocouples on non-rotated measurement modes, first measure the on-board 0°C PT100 simulator in a non-rotated configuration and see the measurement error as the thermocouple's temperature changes. To see the benefit of the rotated measurement mode, switch from the no rotation/sharing to the rotation/sharing configuration and see the errors introduced by the parasitic thermocouple minimized.

In addition to the fixed value RTD simulator, there is also a variable resistor RTD simulator. This circuit can be used

to demonstrate the range of the various LTC2984 RTD sensor modes as well as demonstrate the fault detection capabilities of the LTC2984.

If the user wishes to connect an external RTD to the sensor board, a 4-position terminal block is provided. The user may connect any of the LTC2984 supported RTDs as well as custom RTDs to the DC2399 demo board through this interface. The interface may be configured for 3 or 4 wire sensors. To demonstrate the accuracy of the LTC2984, the user may also connect an RTD calibrator or precision resistors to this interface.

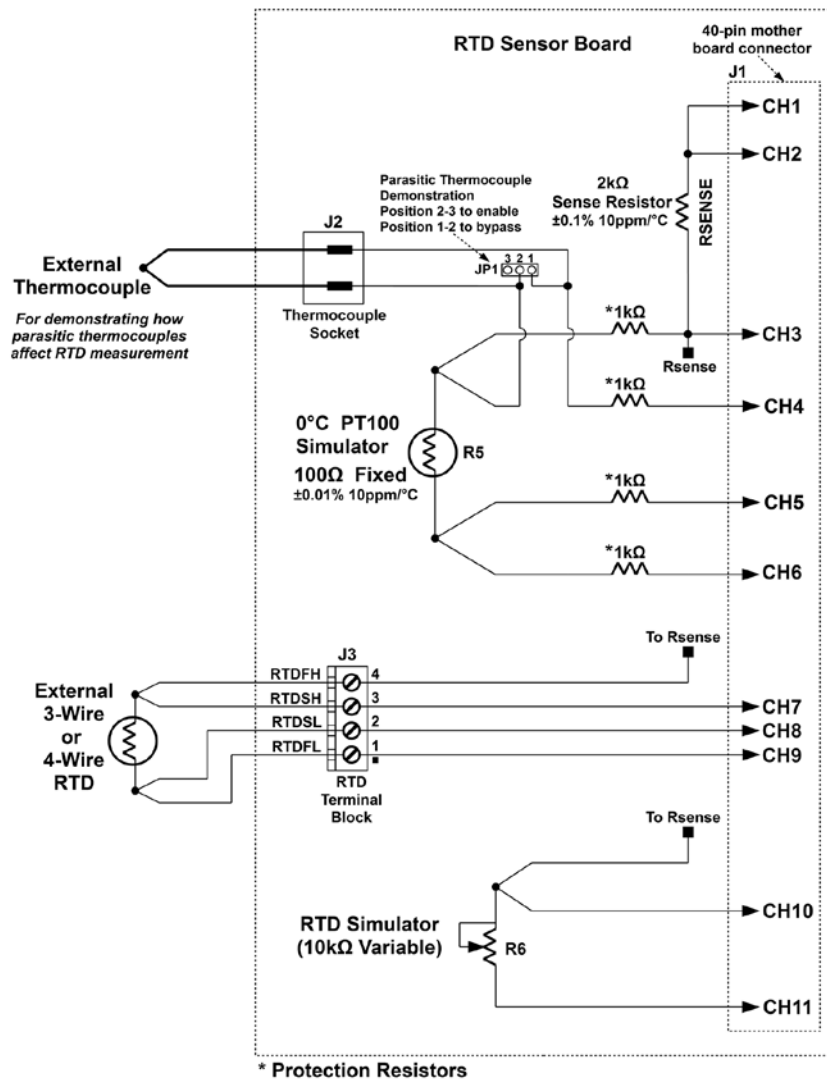


Figure 13. DC2213 Dedicated RTD Board Schematic

HARDWARE SETUP

Channel	Use Sensor	Edit	Out (uV, ohm)	Out (Deg C)	Status byte
Ch 1	-				
Ch 2	-				
Ch 3	Sense Resistor				
Ch 4	-				
Ch 5	<input checked="" type="checkbox"/> RTD PT-100				
Ch 6	-				
Ch 7	-				
Ch 8	<input checked="" type="checkbox"/> RTD PT-100				
Ch 9	-				
Ch 10	-				
Ch 11	<input checked="" type="checkbox"/> RTD PT-100				
Ch 12	-				
Ch 13	-				
Ch 14	-				
Ch 15	-				
Ch 16	-				
Ch 17	-				
Ch 18	-				
Ch 19	-				
Ch 20	-				

NOTE: Protection resistors not shown in configuration schematic

Figure 14. DC2213 Software Configuration

HARDWARE SETUP

DC2214 DEDICATED THERMISTOR BOARD

The DC2214 dedicated thermistor board includes several circuits (see Figure 15) to demonstrate the flexibility, accuracy, and low noise features of the LTC2984 thermistor sensor modes.

The DC2214 provides a $10\text{k}\Omega \pm 0.1\%$ $15\text{ppm}/^\circ\text{C}$ sense resistor on channels 1 and 2 which is shared with all of the thermistor sensor circuits on this board (see schematic diagram Figure 16 and corresponding software configuration Figure 17). The measured value of this sense resistor is stored in an on-board EEPROM which the LTC2984 demo software can read and use to configure the sense resistor value.

To demonstrate the low system noise of the LTC2984 the dedicated thermistor board provides a 25°C 10k thermistor simulator ($10\text{k}\Omega \pm 0.1\%$ $15\text{ppm}/^\circ\text{C}$) on channels 2-4 configured as a differential sensor. In addition to this the user may use this circuit to demonstrate how the rotated mode eliminates measurement error introduced by parasitic thermocouples. To facilitate this demonstration the DC2214 provides an external thermocouple interface which acts as a parasitic thermocouple.

To see the effects of parasitic thermocouples on non-rotated measurement modes, first measure the on-board 25°C 10k thermistor simulator in a no-rotation/sharing

configuration and see the measurement error as the thermocouple's temperature changes. To see the benefit of the rotated measurement mode, switch to the rotation/sharing configuration and see the errors introduced by the parasitic thermocouple disappear (the effects are more significant with lower excitation current).

The DC2214 also includes a $499\text{k}\Omega$ (0.1% $15\text{ppm}/^\circ\text{C}$) thermistor simulator on channels 9 and 10. Ideally, this resistor simulates -30.59°C for a 44008 (30k) thermistor and -51.94°C for a 44006 (10k) thermistor. Note, the 10k thermistor reports the temperature, but also indicates a soft fault since the temperature is below the thermistor's specified minimum temperature.

In addition to the fixed value thermistor simulators, there is a variable resistor thermistor simulator as well. This circuit can be used to demonstrate the range of the various LTC2984 thermistor sensor modes as well as demonstrate the fault detection capabilities of the LTC2984.

If the user wishes to connect an external thermistor to the daughter board, a 2-position terminal block is provided. The user may connect any of the LTC2984 supported thermistors as well as custom thermistors to the DC2399 demo board through this interface. To demonstrate the accuracy of the LTC2984, the user may connect external resistance standards to this interface.

HARDWARE SETUP

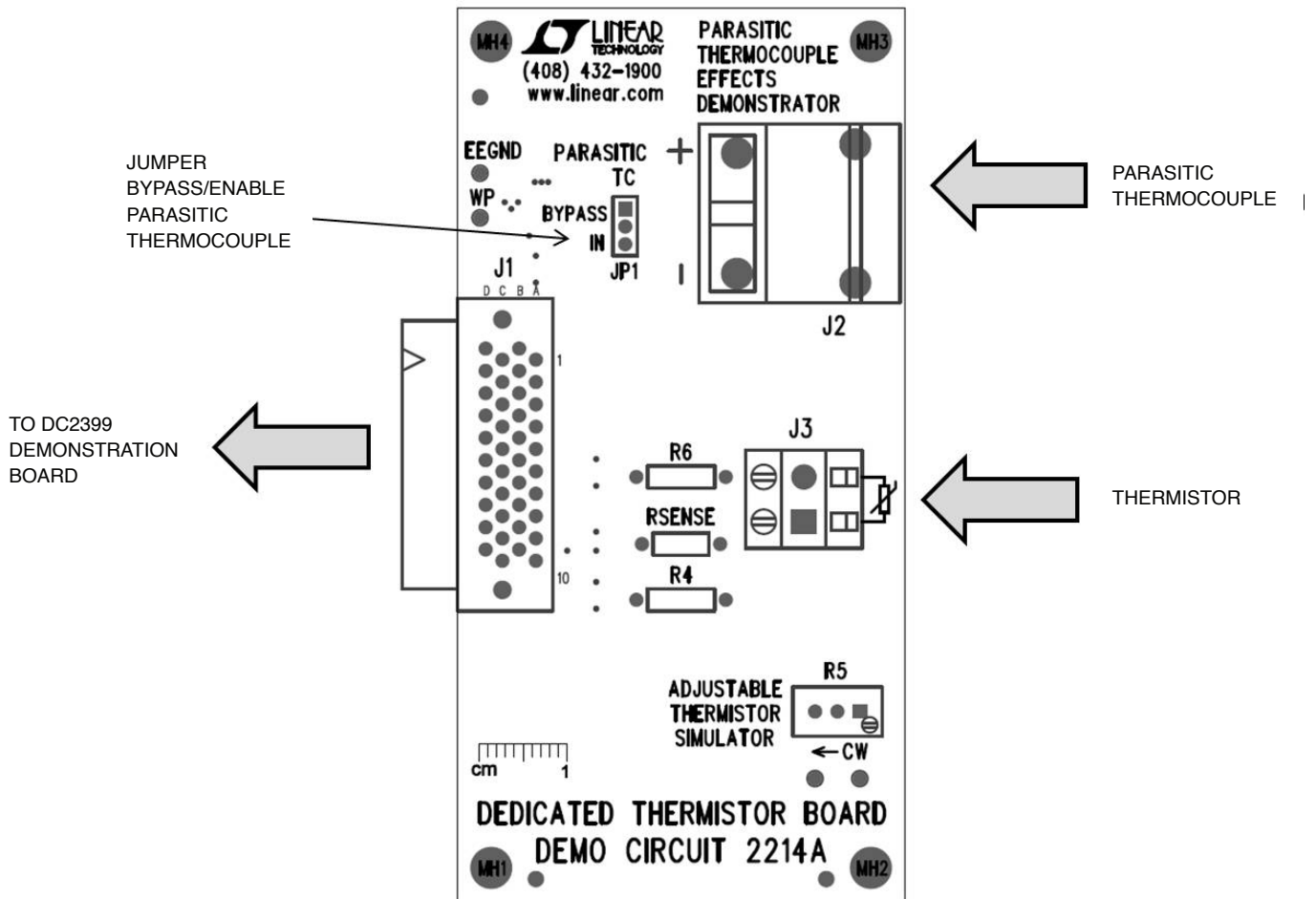


Figure 15. DC2214 Thermistor Daughter Board

HARDWARE SETUP

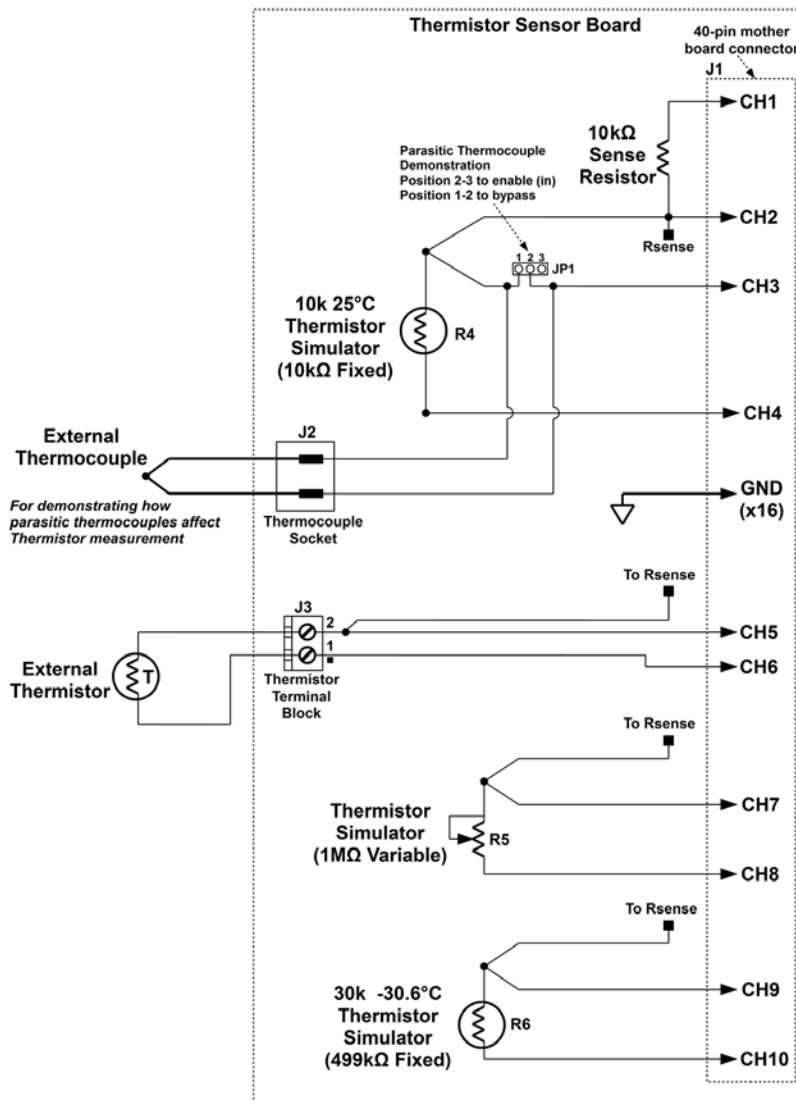


Figure 16. DC2214 Dedicated Thermistor Board Schematic

HARDWARE SETUP

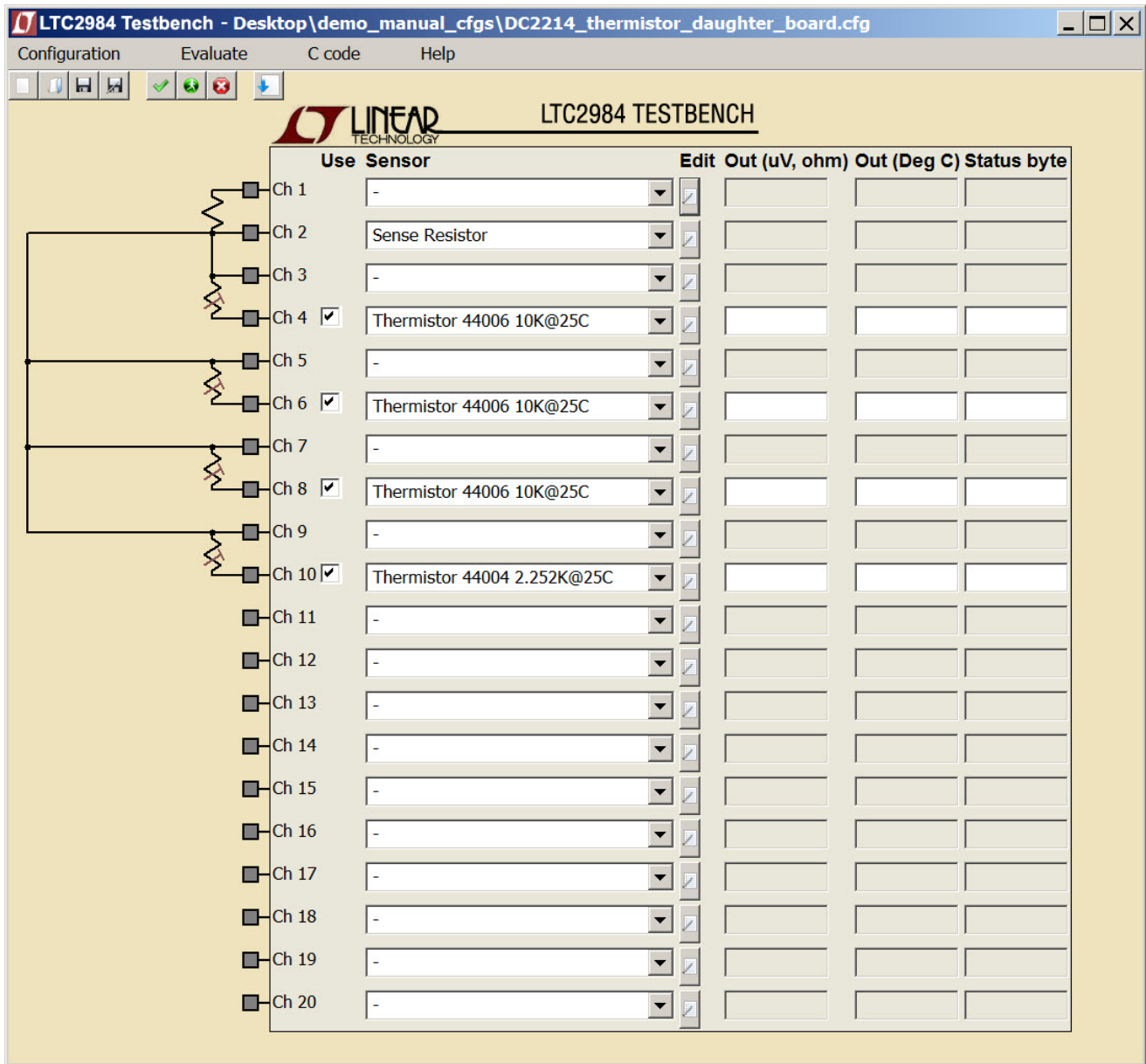


Figure 17. DC2214 Software Configuration

DEMO MANUAL DC2420

PARTS LIST

ITEM	QTY	REFERENCE	PART DESCRIPTION	MANUFACTURER/PART NUMBER
DC2399 Required Circuit Components				
1	21	C1-C21	CAP., NP0, 100pF 100V, 5%, 0603	MURATA, GRM1885C2A101JA01D
2	7	C22, C24, C25, C30, C31, C33, C34	CAP., X7R, 10µF 10V, 10%, 0805	MURATA, GRM21BR71A106KE51L
3	7	C23, C26, C27, C28, C29, C32, C35	CAP., X7R, 0.1µF 25V, 10%, 0603	MURATA, GRM188R71E104KA01D
4	4	E1, E2, E3, E4	TURRET, TESTPOINT 0.064"	MILL-MAX, 2308-2-00-80-00-00-07-0
5	1	J1	CONN., 40P, CON-HIROSE-FX2-40P-1.27DS	HIROSE, FX2-40P-1.27DS
6	1	J2	CONN., HEADER 14POS 2MM VERT GOLD	MOLEX, 87831-1420
7	1	R1	RES., CHIP, 1Ω, 1/10W, 5% 0603	VISHAY, CRCW06031R00FJEA
8	1	R2	RES., CHIP, 100k, 1/10W, 1% 0603	VISHAY, CRCW0603100KFKEA
9	3	R3, R4, R5	RES., CHIP, 4.99k, 1/10W, 1% 0603	VISHAY, CRCW06034K99FKEA
10	1	U1	I.C., LTC2984CLX, LQFP48LX-7X7	LINEAR TECH., LTC2984CLX
11	1	U2	I.C., 24LC025-I/ST, TSSOP8	MICROCHIP, 24LC025-I/ST
12	2	MH1, MH2	STANDOFF, NYLON, 0.25", 1/4"	KEYSTONE, 8831 (SNAP ON)
DC2210 Required Circuit Components				
1	1	C1	CAP., X7R, 0.1µF 25V, 10%, 0603	MURATA, GRM188R71E104KA01D
2	1	J1	CONN., 40P, CON-HIROSE-FX2-40S-DAUGHTER	HIROSE, FX2-40S-1.27DS(71)
3	2	J2, J3	CONN., TERM BLOCK 2.54MM 12POS	PHOENIX, 1725753
4	0	R1, R2	RES., 0603	OPT
5	1	R3	RES., CHIP, 4.99k, 1/10W, 1% 0603	PANASONIC, ERJ-3EKF4991V
6	1	U1	I.C., EEPROM 2KBIT 400KHz 8TSSOP	MICROCHIP, 24LC025-I/ST
7	4	MH1-MH4	STANDOFF, NYLON, 0.25", 1/4"	KEYSTONE, 8831 (SNAP ON)

SCHEMATIC DIAGRAM

REVISION HISTORY			
ECO	REV	DESCRIPTION	APP. ENG. DATE
-	1	1ST PROTOTYPE	MIKE M. 04-03-15

NOTES: UNLESS OTHERWISE SPECIFIED

1. WORKMANSHIP SHALL BE IN ACCORDANCE WITH IPC-A-610.
2. ASSEMBLY PROCESS SHALL INCLUDE: REFLOW SOLDER TOP SIDE SMD. MAXIMUM SOLDER TEMPERATURE IS 240 DEGREES CELSIUS.
3. PARTS TO OMIT WILL BE SPECIFIED ON THE BILL OF MATERIALS. LOCATIONS OF OMITTED PARTS SHALL BE FREE OF SOLDER. MASK THE SOLDER STENCIL WHERE SMT PARTS ARE OMITTED.
4. NO SHUNT.
5. DEPANELIZE BOARDS AFTER ASSEMBLY AND ROUTE-OUT THE BREAKOUT TABS ON FOUR SIDES OF THE BOARD EDGE.
6. DO NOT APPLY ANY KIND OF ASSEMBLY STAMP OR QA STAMP TO ANY BOARD.
7. INSTALL 2 STANDOFFS AS SHOWN BELOW:

MH1-MH2
2X STANDOFF
NYLON, SNAP ON.

PCB : TOP

PCB : BOTTOM

LTC2984
DEMO CIRCUIT 2399A
24-BIT PRECISION DIGITAL TEMPERATURE
MEASUREMENT SYSTEM WITH EEPROM

LINEAR
TECHNOLOGY

LINEAR
TECHNOLOGY

1630 MCCARTHY BLVD
MILPITAS, CA 95035
PH: (408)432-1900
www.linear.com
LTC CONFIDENTIAL -
FOR CUSTOMER USE ONLY

TITLE: TOP ASSEMBLY DRAWING

**24-BIT PRECISION DIGITAL TEMPERATURE
MEASUREMENT SYSTEM WITH EEPROM**

SIZE	IC NO.	LTC2984CLX	REV.
N/A	DEMO CIRCUIT	2399A	1

FILENAME: DC2399A-1.PCB SHT 1 OF 2

APPROVALS	
PCB DES.	KIM T.
APP ENG.	MIKE M.
SCALE = NONE	

DEMO MANUAL DC2420

DEMONSTRATION BOARD IMPORTANT NOTICE

Linear Technology Corporation (LTC) provides the enclosed product(s) under the following **AS IS** conditions:

This demonstration board (DEMO BOARD) kit being sold or provided by Linear Technology is intended for use for **ENGINEERING DEVELOPMENT OR EVALUATION PURPOSES ONLY** and is not provided by LTC for commercial use. As such, the DEMO BOARD herein may not be complete in terms of required design-, marketing-, and/or manufacturing-related protective considerations, including but not limited to product safety measures typically found in finished commercial goods. As a prototype, this product does not fall within the scope of the European Union directive on electromagnetic compatibility and therefore may or may not meet the technical requirements of the directive, or other regulations.

If this evaluation kit does not meet the specifications recited in the DEMO BOARD manual the kit may be returned within 30 days from the date of delivery for a full refund. **THE FOREGOING WARRANTY IS THE EXCLUSIVE WARRANTY MADE BY THE SELLER TO BUYER AND IS IN LIEU OF ALL OTHER WARRANTIES, EXPRESSED, IMPLIED, OR STATUTORY, INCLUDING ANY WARRANTY OF MERCHANTABILITY OR FITNESS FOR ANY PARTICULAR PURPOSE. EXCEPT TO THE EXTENT OF THIS INDEMNITY, NEITHER PARTY SHALL BE LIABLE TO THE OTHER FOR ANY INDIRECT, SPECIAL, INCIDENTAL, OR CONSEQUENTIAL DAMAGES.**

The user assumes all responsibility and liability for proper and safe handling of the goods. Further, the user releases LTC from all claims arising from the handling or use of the goods. Due to the open construction of the product, it is the user's responsibility to take any and all appropriate precautions with regard to electrostatic discharge. Also be aware that the products herein may not be regulatory compliant or agency certified (FCC, UL, CE, etc.).

No License is granted under any patent right or other intellectual property whatsoever. **LTC assumes no liability for applications assistance, customer product design, software performance, or infringement of patents or any other intellectual property rights of any kind.**

LTC currently services a variety of customers for products around the world, and therefore this transaction **is not exclusive**.

Please read the DEMO BOARD manual prior to handling the product. Persons handling this product must have electronics training and observe good laboratory practice standards. **Common sense is encouraged.**

This notice contains important safety information about temperatures and voltages. For further safety concerns, please contact a LTC application engineer.

Mailing Address:

Linear Technology
1630 McCarthy Blvd.
Milpitas, CA 95035

Copyright © 2004, Linear Technology Corporation

Данный компонент на территории Российской Федерации

Вы можете приобрести в компании MosChip.

Для оперативного оформления запроса Вам необходимо перейти по данной ссылке:

<http://moschip.ru/get-element>

Вы можете разместить у нас заказ для любого Вашего проекта, будь то серийное производство или разработка единичного прибора.

В нашем ассортименте представлены ведущие мировые производители активных и пассивных электронных компонентов.

Нашей специализацией является поставка электронной компонентной базы двойного назначения, продукции таких производителей как XILINX, Intel (ex.ALTERA), Vicor, Microchip, Texas Instruments, Analog Devices, Mini-Circuits, Amphenol, Glenair.

Сотрудничество с глобальными дистрибьюторами электронных компонентов, предоставляет возможность заказывать и получать с международных складов практически любой перечень компонентов в оптимальные для Вас сроки.

На всех этапах разработки и производства наши партнеры могут получить квалифицированную поддержку опытных инженеров.

Система менеджмента качества компании отвечает требованиям в соответствии с ГОСТ Р ИСО 9001, ГОСТ РВ 0015-002 и ЭС РД 009

Офис по работе с юридическими лицами:

105318, г.Москва, ул.Щербаковская д.3, офис 1107, 1118, ДЦ «Щербаковский»

Телефон: +7 495 668-12-70 (многоканальный)

Факс: +7 495 668-12-70 (доб.304)

E-mail: info@moschip.ru

Skype отдела продаж:

moschip.ru

moschip.ru_4

moschip.ru_6

moschip.ru_9