

PLEASE CHECK WWW.MOLEX.COM FOR LATEST PART INFORMATION

Part Number: [5027740891](#)
Status: **Active**
Description: 1.10mm (.043") Pitch microSD Memory Card Connector, Reverse Mount SMT, Push-Push Type

Documents:

[3D Model](#) [Product Specification PS-502774-001 \(PDF\)](#)
[Drawing \(PDF\)](#) [RoHS Certificate of Compliance \(PDF\)](#)

General

Product Family	Memory Card Sockets
Series	502774
Button Type	Push-Push
Component Type	Header & Ejector (Host)
Product Name	microSD Card
Type	N/A

Physical

Card Detection Switch	Yes
Circuits (Loaded)	8
Color - Resin	Black
Durability (mating cycles max)	10,000
Ejector Button Side	No Ejector Button Present
Entry Angle	90° Angle
Keying to Mating Part	Yes
PCB Locator	No
PCB Mounting Side	Reverse
PCB Retention	Yes
Packaging Type	Embossed Tape on Reel
Pitch - Mating Interface (in)	0.043 In
Pitch - Mating Interface (mm)	1.10 mm
Ports	1
Surface Mount Compatible (SMC)	Yes
Temperature Range - Operating	-25°C to +85°C
Termination Interface: Style	Surface Mount

Electrical

Current - Maximum per Contact	0.5A
Shielded	Yes
Voltage - Maximum	10V AC (RMS)/DC

Material Info

Reference - Drawing Numbers

Product Specification	PS-502774-001, RPS-502774-001, RPS-502774-002
Sales Drawing	SD-502774-001, SD-502774-002

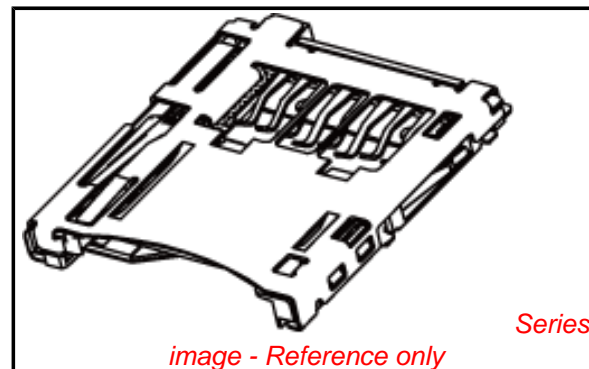


image - Reference only

EU RoHS

**ELV and RoHS
Compliant**

REACH SVHC

Not Reviewed

Halogen-Free

Status

Not Reviewed

**Need more information on product
environmental compliance?**

Email productcompliance@molex.com
 For a multiple part number RoHS Certificate of
 Compliance, [click here](#)

Please visit the [Contact Us](#) section for any
 non-product compliance questions.

China RoHS



Search Parts in this Series

[502774Series](#)

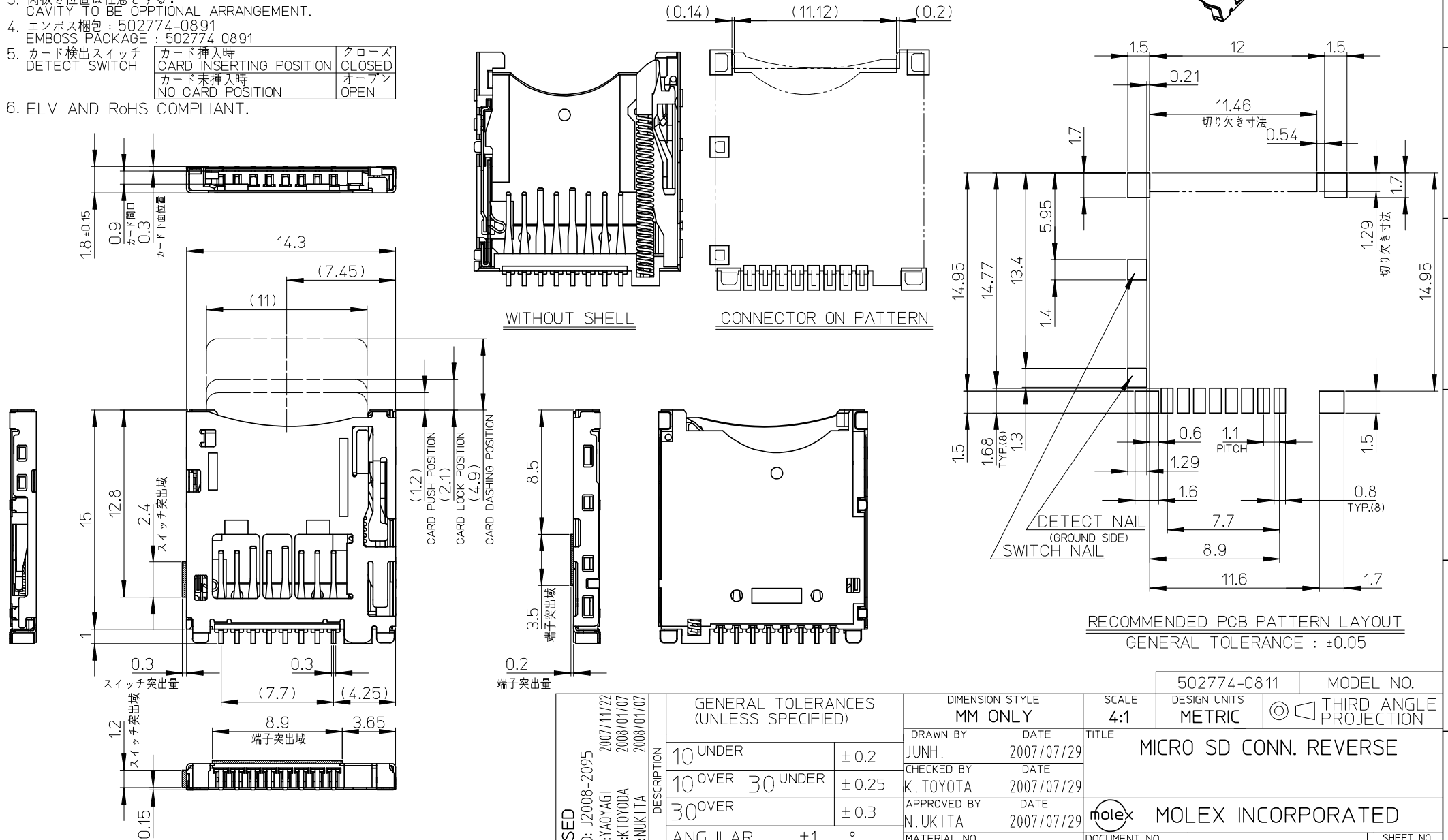
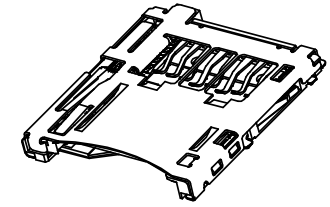
Use With

microSD Card

NOTES

1. 端子とネイルの平坦度は 0.1 MAX.
COPLANARITY OF TERMINAL AND NAIL TO BE 0.1 MAX.
2. ロット印字は任意とする。
LOT NUMBERING TO BE OPTIONAL ARRANGEMENT.
3. 肉抜き位置は任意とする。
CAVITY TO BE OPTIONAL ARRANGEMENT.
4. エンボス梱包 : 502774-0891
EMBOSS PACKAGE : 502774-0891
5. カード検出スイッチ
DETECT SWITCH
6. ELV AND RoHS COMPLIANT.

カード挿入時 CARD INSERTING POSITION	クローズ CLOSED
カード未挿入時 NO CARD POSITION	オープン OPEN



RECOMMENDED PCB PATTERN LAYOUT
GENERAL TOLERANCE : ±0.05

REVISED EC NO: J2008-2095 DRWN:YA0YAGI CHKD:KTOYODA APPR:NUKITA	DESCRIPTION 2007/11/22 2008/01/07 2008/01/07	GENERAL TOLERANCES (UNLESS SPECIFIED)		DIMENSION STYLE	SCALE	502774-0811	MODEL NO.
		10 UNDER	±0.2	MM ONLY	4:1	DESIGN UNITS	THIRD ANGLE PROJECTION
		10 OVER 30 UNDER	±0.25			METRIC	
		30 OVER	±0.3				
		ANGULAR	±1 °				
		DRAFT WHERE APPLICABLE MUST REMAIN WITHIN DIMENSIONS		MATERIAL NO.	DOCUMENT NO.		SHEET NO.
				SEE TABLE	SD-502774-001		1 OF 2
				SIZE A3	THIS DRAWING CONTAINS INFORMATION THAT IS PROPRIETARY TO MOLEX INCORPORATED AND SHOULD NOT BE USED WITHOUT WRITTEN PERMISSION		

F

E

D

C

B

A

PARTS	QTY	MATERIAL	FINISH
ハウジング HOUSING	1	ガラス入り耐熱樹脂 (LCP), UL94V-0 色:黒 HEAT RESISTANCE POLYMER (LCP), UL94V-0, BLACK	---
ハートカム HEART CAM	1	ガラス入り耐熱樹脂 (LCP), UL94V-0 色:黒 HEAT RESISTANCE POLYMER (LCP), UL94V-0, BLACK	---
ターミナル TERMINAL	8	銅合金 COPPER ALLOY	接点部 : 金メッキ 0.5 μm MIN. CONTACT AREA : GOLD 0.5 μm MIN. 下地 : ニッケルメッキ 1.0 μm MIN. UNDER PLATING : NICKEL 1.0 μm MIN. 半田付け部 : 錫メッキ 2.0 μm MIN. SOLDER AREA : TIN 2.0 μm MIN.
ディテクトネイル DETECT NAIL	1	銅合金 COPPER ALLOY	接点部 : 金メッキ 0.2 μm MIN. CONTACT AREA : GOLD 0.2 μm MIN. 下地 : ニッケルメッキ 1.0 μm MIN. UNDER PLATING : NICKEL 1.0 μm MIN.
スイッチネイル SWITCH NAIL	1	銅合金 COPPER ALLOY	接点部 : 金メッキ 0.2 μm MIN. CONTACT AREA : GOLD 0.2 μm MIN. 下地 : ニッケルメッキ 1.0 μm MIN. UNDER PLATING : NICKEL 1.0 μm MIN. 半田付け部 : 錫メッキ 1.0 μm MIN. SOLDER AREA : TIN 1.0 μm MIN.
メタルシェル METAL SHELL	1	ステンレス鋼 STAINLESS STEEL	全面 : ニッケルメッキ 0.5 μm MIN. ALLOVER : NICKEL 0.5 μm MIN. 部分金メッキ 0.02 μm MIN. SELECTIVE GOLD 0.02 μm MIN.
ピン PIN	1	ステンレス鋼 STAINLESS STEEL	---
スプリング SPRING	1	ピアノ線 SWP	全面 : ニッケルメッキ ALLOVER : NICKEL

REVISED EC NO: J2008-2095 DRWN:YA0YAGI 2007/11/22 CH:KD:TOYODA 2008/01/07 APPR:NUKITA 2008/01/07	GENERAL TOLERANCES (UNLESS SPECIFIED)		DIMENSION STYLE MM ONLY		SCALE ---	DESIGN UNITS METRIC	THIRD ANGLE PROJECTION	
	10 UNDER	±---	DRAWN BY JUNH.	DATE 2007/07/29	TITLE MICRO SD CONN. REVERSE			
	10 OVER 30 UNDER	±---	CHECKED BY K. TOYOTA	DATE 2007/07/29	MOLEX INCORPORATED			
	30 OVER	±---	APPROVED BY N. UKITA	DATE 2007/07/29	MATERIAL NO. SEE SHEET 1	DOCUMENT NO. SD-502774-001	SHEET NO. 2 OF 2	
	ANGULAR ±--- °		THIS DRAWING CONTAINS INFORMATION THAT IS PROPRIETARY TO MOLEX INCORPORATED AND SHOULD NOT BE USED WITHOUT WRITTEN PERMISSION					

10

9

8

7

6

5

4

3

2

1

F

E

D

C

B

A

F

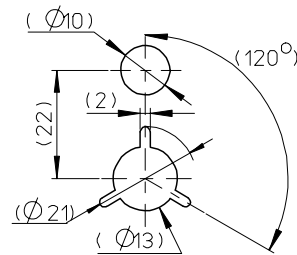
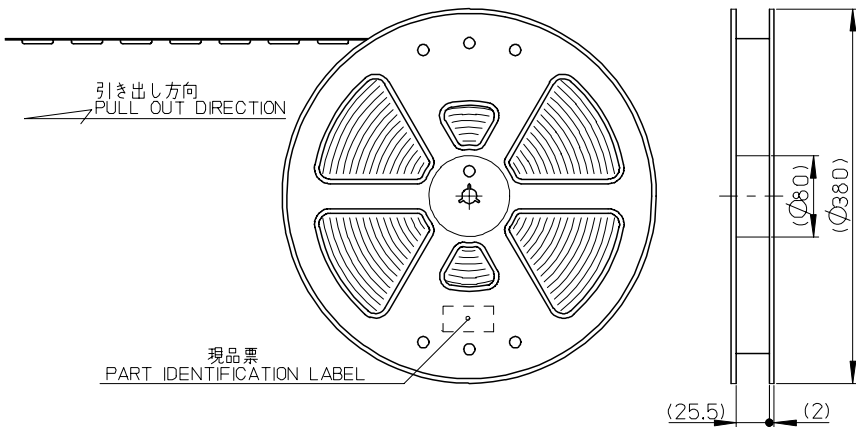
E

D

C

B

A

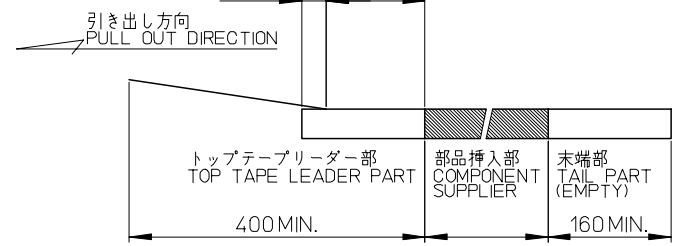


NOTES

- 梱包数量 : 1000個/リール
NUMBER OF CONNECTORS : 1000PCS./REEL
- リードテープ長さ
LEAD TAPE LENGTH

トップテープ未接着部 TOP TAPE NON-BONDED PART	トップテープ接着部 (空エンボス) TOP TAPE BONDED PART (EMPTY)
50 ± 50	20PCS. MIN.
- 材料
MATERIAL

キャリアテープ : ポリスチレン (PS)	トップテープ : PET, PE, PEF	リール : ポリスチレン(PS) <リサイクル材を含む>
CARRIER TAPE : POLYSTYRENE(PS)	TOP TAPE : PET, PE, PEF	REEL : POLYSTYRENE(PS) <RECYCLE MATERIAL CONTAINED>
- コネクタ番号 : 502774-0811
CONNECTOR NO. : 502774-0811



RELEASED EC NO: J2008-0265 DRWN: JHAN01 CHKDK: TOYOTA APPR: NUKITA	2007/08/03	2007/08/03	2007/08/06	GENERAL TOLERANCES (UNLESS SPECIFIED)		DIMENSION STYLE MM ONLY		SCALE ---	DESIGN UNITS METRIC	THIRD ANGLE PROJECTION	
	10 UNDER		± 0.2	DRAWN BY JUNH.		DATE 2007/06/29		TITLE MICRO SD CONN. REVERSE EMBOSSED TAPE PACKAGE -LEAD FREE-			
	10 OVER 30 UNDER		± 0.25	CHECKED BY K. TOYODA		DATE 2007/06/29		MOLEX INCORPORATED			
	30 OVER		± 0.3	APPROVED BY N. UKITA		DATE 2007/06/29		MATERIAL NO.		DOCUMENT NO. SD-502774-002	SHEET NO. 1 OF 2
	ANGULAR		± 1 °	DRAFT WHERE APPLICABLE MUST REMAIN WITHIN DIMENSIONS		SIZE A3		THIS DRAWING CONTAINS INFORMATION THAT IS PROPRIETARY TO MOLEX INCORPORATED AND SHOULD NOT BE USED WITHOUT WRITTEN PERMISSION			

9

8

7

6

5

4

3

2

10 9 8 7 6 5 4 3 2 1

F

E

D

C

B

A

F

E

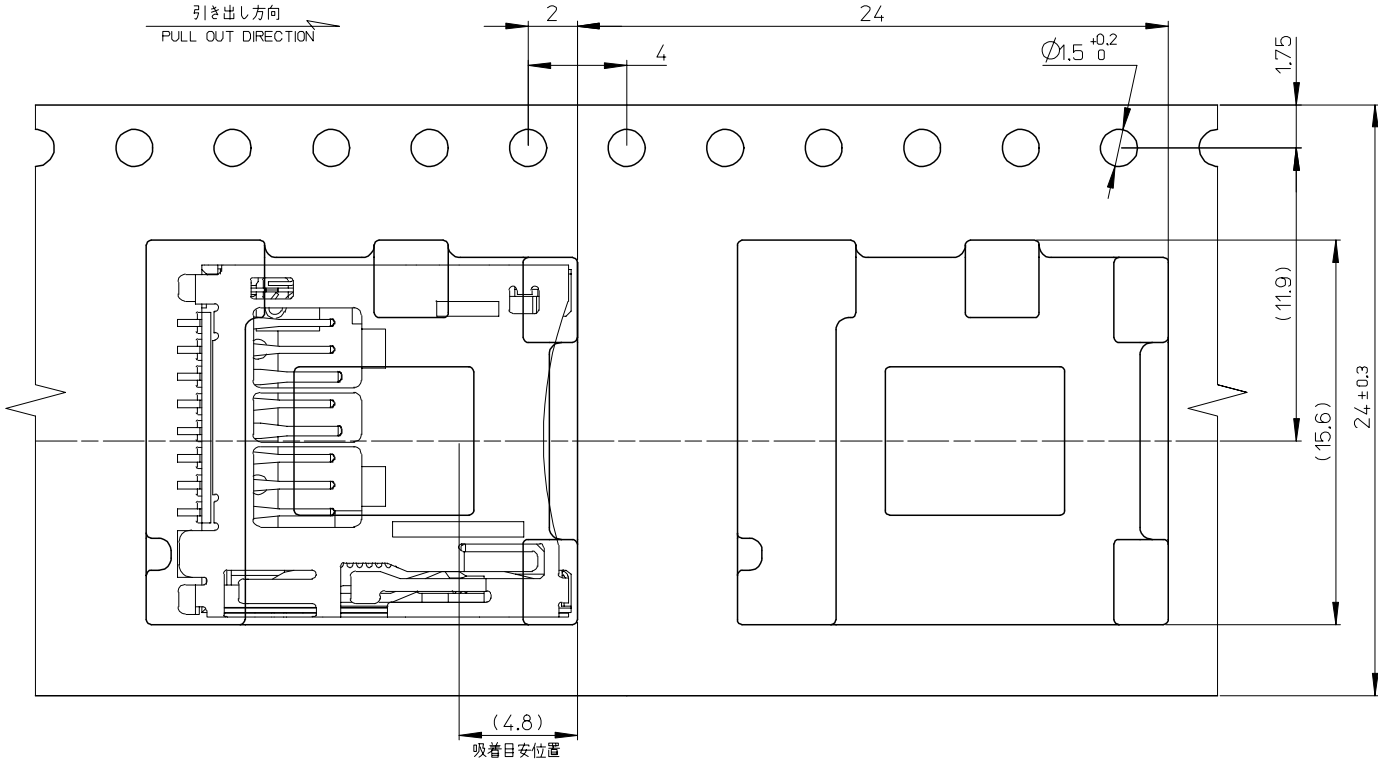
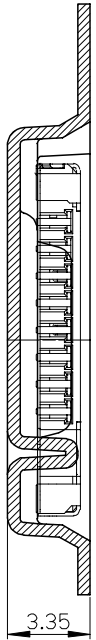
D

C

B

A

引き出し方向
PULL OUT DIRECTION



502774-0811	502774-0891
CONNECTOR	MATERIAL NO.

SEE SHEET 1 EC NO: J2008-0265 DRWN: JHANO1 2007/08/03 CHKDK: TOYOTA 2007/08/03 APPR: NUKITA 2007/08/06	GENERAL TOLERANCES (UNLESS SPECIFIED)		DIMENSION STYLE MM ONLY		SCALE 5:1	DESIGN UNITS METRIC	THIRD ANGLE PROJECTION	
	10 UNDER	±0.2	DRAWN BY JUNH.		DATE 2007/06/29		TITLE MICRO SD CONN. REVERSE EMBOSSD TAPE PACKAGE -LEAD FREE-	
	10 OVER 30 UNDER	±0.25	CHECKED BY K. TOYOTA		DATE 2007/06/29		MOLEX INCORPORATED	
	30 OVER	±0.3	APPROVED BY N. UKITA		DATE 2007/06/29		DOCUMENT NO. SD-502774-002	
	ANGULAR	±1 °	MATERIAL NO.		SEE CHART		SHEET NO. 2 OF 2	
0	REV	DRAFT WHERE APPLICABLE MUST REMAIN WITHIN DIMENSIONS		SIZE A3		THIS DRAWING CONTAINS INFORMATION THAT IS PROPRIETARY TO MOLEX INCORPORATED AND SHOULD NOT BE USED WITHOUT WRITTEN PERMISSION		

Данный компонент на территории Российской Федерации

Вы можете приобрести в компании MosChip.

Для оперативного оформления запроса Вам необходимо перейти по данной ссылке:

<http://moschip.ru/get-element>

Вы можете разместить у нас заказ для любого Вашего проекта, будь то серийное производство или разработка единичного прибора.

В нашем ассортименте представлены ведущие мировые производители активных и пассивных электронных компонентов.

Нашей специализацией является поставка электронной компонентной базы двойного назначения, продукции таких производителей как XILINX, Intel (ex.ALTERA), Vicor, Microchip, Texas Instruments, Analog Devices, Mini-Circuits, Amphenol, Glenair.

Сотрудничество с глобальными дистрибьюторами электронных компонентов, предоставляет возможность заказывать и получать с международных складов практически любой перечень компонентов в оптимальные для Вас сроки.

На всех этапах разработки и производства наши партнеры могут получить квалифицированную поддержку опытных инженеров.

Система менеджмента качества компании отвечает требованиям в соответствии с ГОСТ Р ИСО 9001, ГОСТ РВ 0015-002 и ЭС РД 009

Офис по работе с юридическими лицами:

105318, г.Москва, ул.Щербаковская д.3, офис 1107, 1118, ДЦ «Щербаковский»

Телефон: +7 495 668-12-70 (многоканальный)

Факс: +7 495 668-12-70 (доб.304)

E-mail: info@moschip.ru

Skype отдела продаж:

moschip.ru

moschip.ru_4

moschip.ru_6

moschip.ru_9