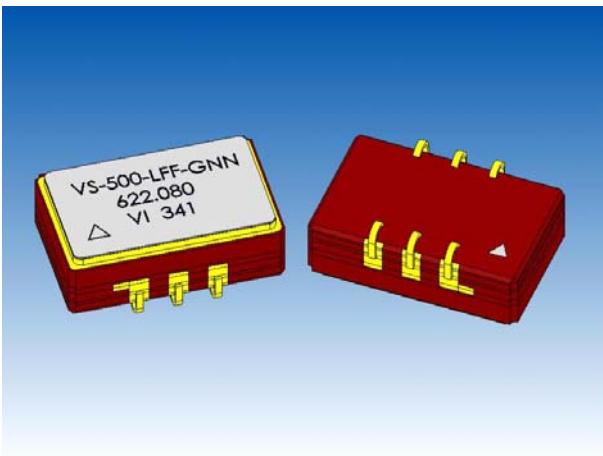


VS-500

Voltage Controlled SAW Oscillator



Features

- Improved High Performance ASIC
- Industry Standard Package, 9 x 14 x 4.5 mm
- Output Frequencies from 155 MHz to 850 MHz
- 3.3 V or 5.0 V Operation
- At 155.52 MHz, Jitter < 0.50 ps-rms (12 kHz to 20 MHz)
- At 622.08 MHz, Jitter < 0.30 ps-rms (50 kHz to 80 MHz)
- LV-PECL, PECL, or ECL Configurations
- Complementary Outputs
- Output Disable Feature



Product is free of lead and compliant to EC RoHS Directive

Applications

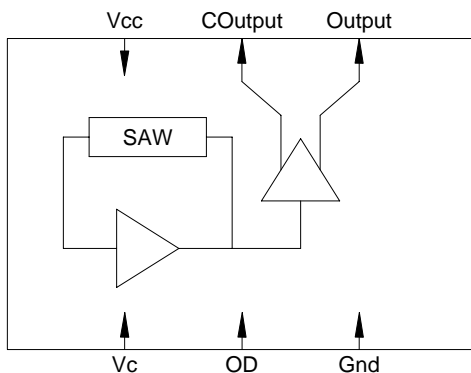
PLL circuits for Clock Smoothing and Frequency Translation

Description

- 10G Fibre Channel
- 10GbE LAN / WAN
- OC-192
- SONET / SDH

Standard

INCITS/T11 Project 1413-D
IEEE 802.3ae
ITU-T G.709
GR-253-CORE Issue3



Description

The VS-500 is a SAW based voltage controlled oscillator that operates at the fundamental frequency of the internal SAW filter. This resonator is a high Q quartz device that enables the circuit to achieve low phase jitter performance over a wide operating temperature range. The oscillator is housed in a hermetically sealed J-lead surface mount package offered on tape and reel. It has an output disable to facilitate on-board testing.

VS-500 Voltage Controlled SAW Oscillator

Electrical Performance

Parameter	Symbol	Minimum	Typical	Maximum	Units	Notes
Frequency						
Nominal Frequency	f_N		150 - 850		MHz	1,2,3
Absolute Pull Range	APR	± 50			ppm	1,2,3,9/10
Linearity	Lin		± 5		%	2,4,9/10
Gain Transfer @ 155.52 MHz (See Pg 5/6)	K_V		+691/+435		ppm/V	2,9/10
Gain Transfer @ 622.08 MHz (See Pg 5/6)	K_V		+434/+281		ppm/V	2,9/10
Temperature Stability @ 155.52 MHz	f_{STAB}		± 100		ppm	1,6
Temperature Stability @ 622.08 MHz	f_{STAB}		± 150		ppm	1,6
Supply						
Voltage	V_{CC}	2.97/4.5	3.3/5.0	3.63/5.5	V	2,3
Current (No Load)	I_{CC}		55	80	mA	3
Outputs						
Mid Level		$V_{CC}-1.5$	$V_{CC}-1.3$	$V_{CC}-1.1$	V	2,3
Swing			850		mV-pp	2,3
Current	I_{OUT}			20	mA	6
Rise & Fall Time	t_R, t_F		250	400	ps	5,6
Symmetry	SYM	45	50	55	%	2,3
Spurious Suppression		50	60		dBc	6
Jitter @ 155.52 MHz (See Pg 5/6)	ϕ_J		0.440		ps-rms	6,7
Jitter @ 622.08 MHz (See Pg 5/6)	ϕ_J		0.230		ps-rms	6,8
Control Voltage						
Input Impedance (LV-PECL or PECL)	Z_c		100		$k\Omega$	6
Input Impedance (ECL)	Z_c		10		$k\Omega$	6
Modulation Bandwidth	BW		500		kHz	6
Operating Temperature						
	T_{OP}	-40		85	$^{\circ}C$	1,3
Package Size						
		9.0 x 14.0 x 4.5			mm	

1. See Standard Frequencies and Ordering Information (Pg 8).
2. Parameters are tested with production test circuit below (Fig 2).
3. Parameters are tested at ambient temperature with test limits guardbanded for specified operating temperature.
4. Measured as the maximum deviation from the best straight-line fit, per MIL-0-55310.
5. Measured from 20% to 80% of a full output swing (Fig 1).
6. Not tested in production, guaranteed by design, verified at qualification.
7. Integrated across 12 kHz to 20 MHz, per GR-253-CORE Issue3.
8. Integrated across 50 kHz to 80 MHz, per GR-253-CORE Issue3.
9. Tested with $V_c = 0.3V$ to $3.0V$.
10. Tested with $V_c = 0.5V$ to $4.5V$.

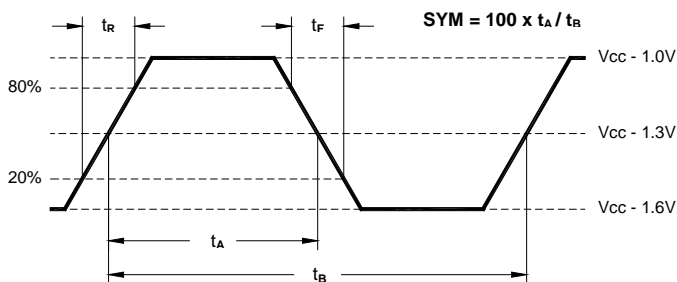
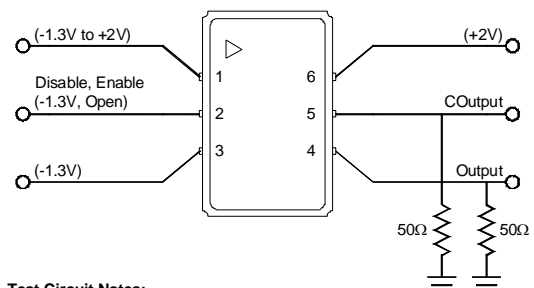


Figure 1. 10K LV-PECL Waveform



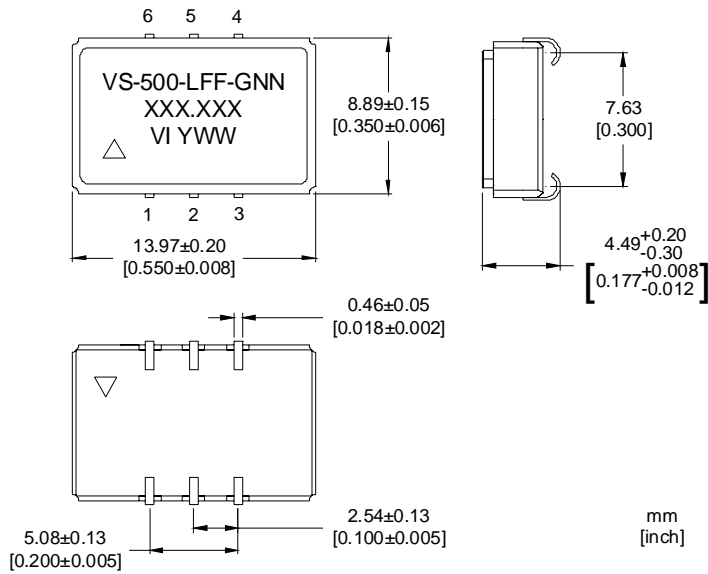
Test Circuit Notes:

- 1) To Permit 50Ω Measurement of Outputs, all DC Inputs are Biased Down 1.3V.
- 2) All Voltage Sources Contain Bypass Capacitors to Minimize Supply Noise.
- 3) 50Ω Terminations are Within Test Equipment.

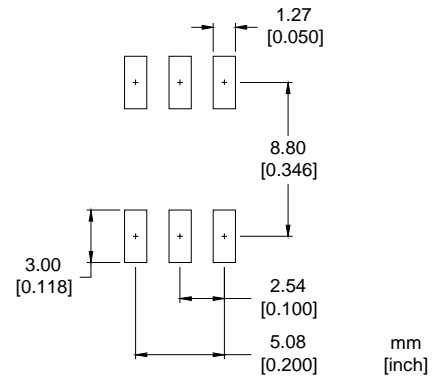
Figure 2. 3.3V Test Circuit

VS-500 Voltage Controlled SAW Oscillator

Outline Diagram



Pad Layout

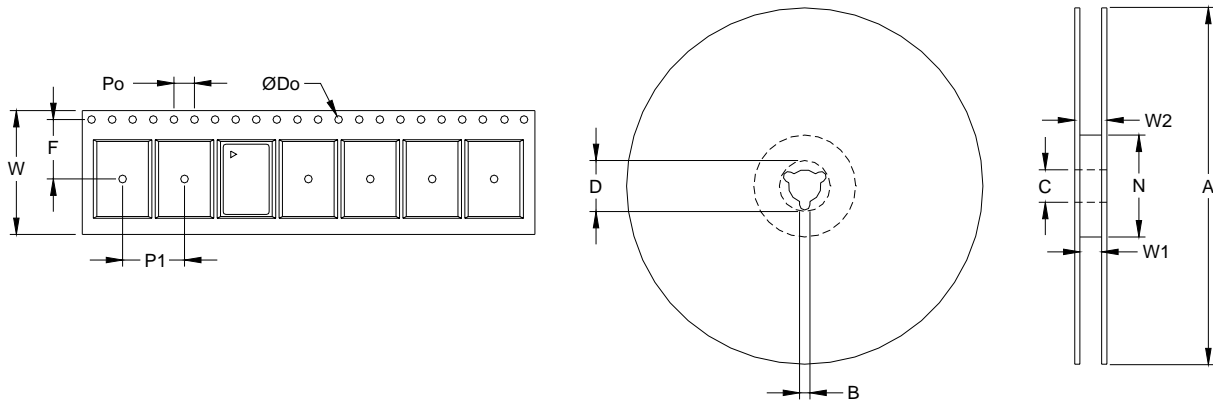


Pin Out

Pin	Symbol	Function
1	V _c	VCSO Control Voltage
2	OD	Output Disable* Disabled = LV-CMOS Logic 0 (or GND) Enabled = LV-CMOS Logic 1 (or Open)
3	GND	Case and Electrical Ground
4	Output	VCSO Output
5	COutput	VCSO Complementary Output
6	V _{cc}	Power Supply Voltage (3.3V / 5.0V ±10%)

*For 5.0V Operation, CMOS Levels Should Be Applied.

Tape and Reel (EIA-481-2-A)



Tape Dimensions (mm)						Reel Dimensions (mm)							
Dimension	W	F	Do	Po	P1	A	B	C	D	N	W1	W2	# Per Reel
Tolerance	Typ	Typ	Typ	Typ	Typ	Typ	Min	Typ	Min	Min	Typ	Max	
VS-500	24	11.5	1.5	4	12	330	1.5	13	20.2	100	24.4	30.4	200

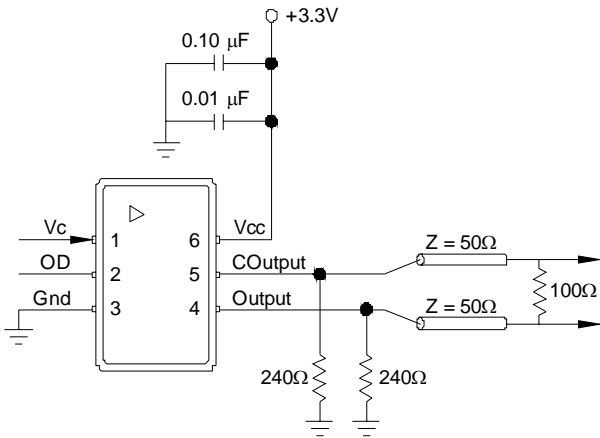
VS-500 Voltage Controlled SAW Oscillator

Absolute Maximum Ratings

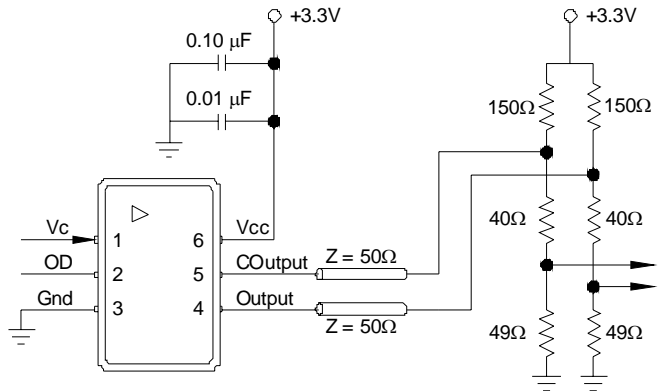
Parameter	Symbol	Ratings	Unit
Power Supply	V_{CC}	0 to 6	V
Output Current	I_{out}	25	mA
Voltage Control Range	V_C	0 to V_{CC}	V
Storage Temperature	TS	-55 to 125	°C
Soldering Temp/Time	T_{LS}	220/10	°C/sec

Stresses in excess of the absolute maximum ratings can permanently damage the device. Functional operation is not implied at these or any other conditions in excess of conditions represented in the operational sections of this datasheet. Exposure to absolute maximum ratings for extended periods may adversely affect device reliability.

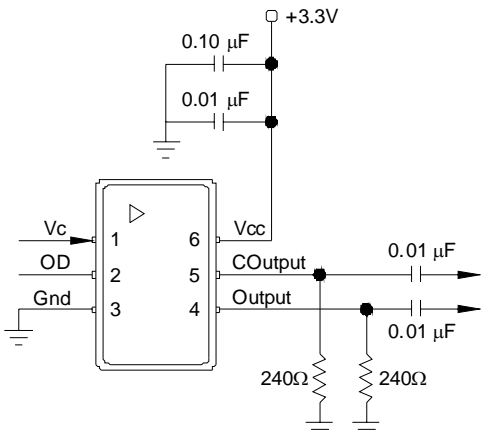
Suggested Output Load Configurations (3.3V Operation)



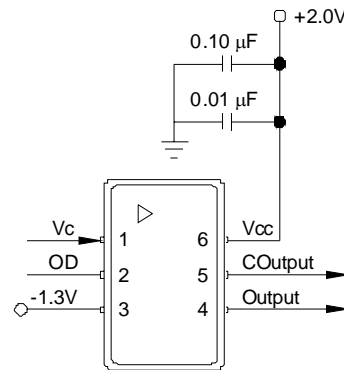
LV-PECL to LV-PECL: For short transmission lengths, the power consumption could be reduced by removing the 100Ω resistor and doubling the value of the pull down resistors.



LV-PECL to LVDS: Restricted for short transmission lengths. Configuration may require modification depending on LVDS receiver.



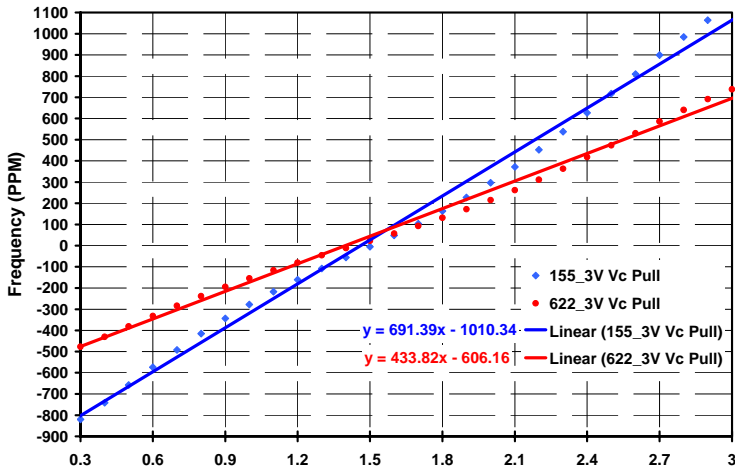
Functional Test: Allows standard power supply configuration. Since AC coupled, the LV-PECL levels cannot be measured.



Production Test: Allows direct DC coupling into 50Ω measurement equipment. Must bias the power supplies as shown. Similar to Figure 1.

VS-500 Voltage Controlled SAW Oscillator

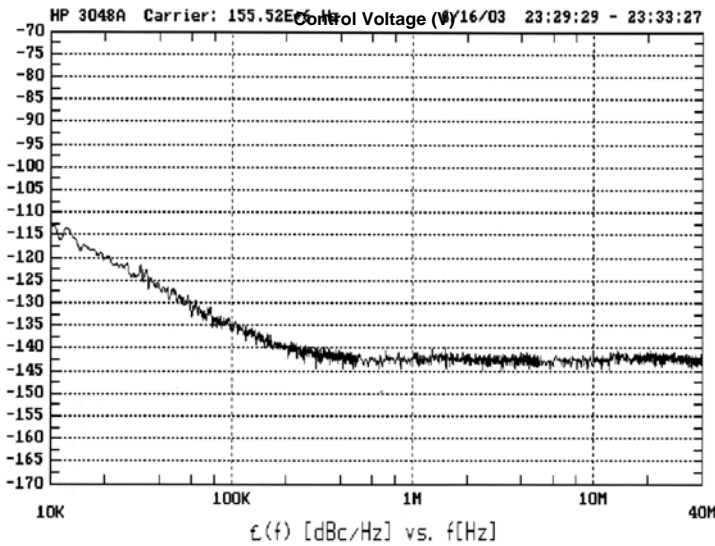
Typical Characteristics (3.3V Operation)



Vc Pull Characteristics (22.5 °C)

Typical Gain Transfer @ 155.52 = +691 ppm/V

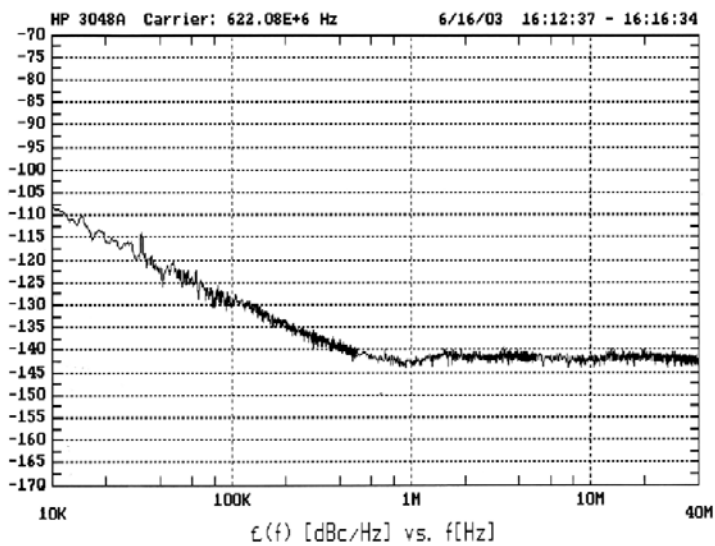
Typical Gain Transfer @ 622.08 = +434 ppm/V



Calculated Jitter @ 155.52 MHz (22.5 °C)

SONET OC-48 (12kHz-20MHz) = 0.442 ps-rms; 3.09 ps-pp

SONET OC-192 (50kHz-80MHz) = 0.685 ps-rms; 4.80 ps-pp



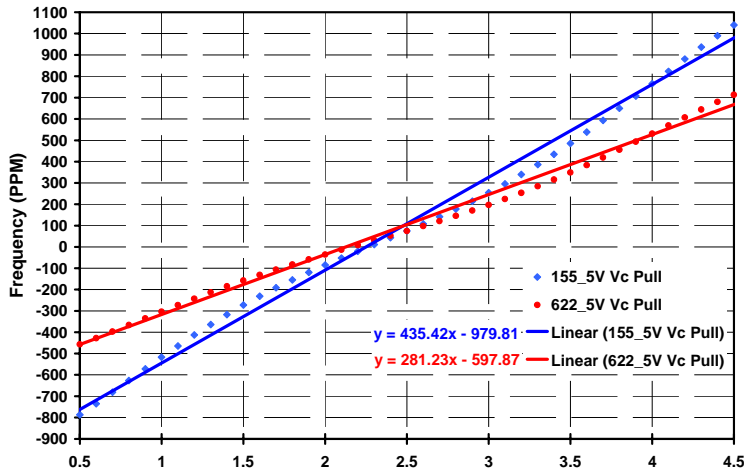
Calculated Jitter @ 622.08 MHz (22.5 °C)

SONET OC-48 (12kHz-20MHz) = 0.244 ps-rms; 1.71 ps-pp

SONET OC-192 (50kHz-80MHz) = 0.214 ps-rms; 1.50 ps-pp

VS-500 Voltage Controlled SAW Oscillator

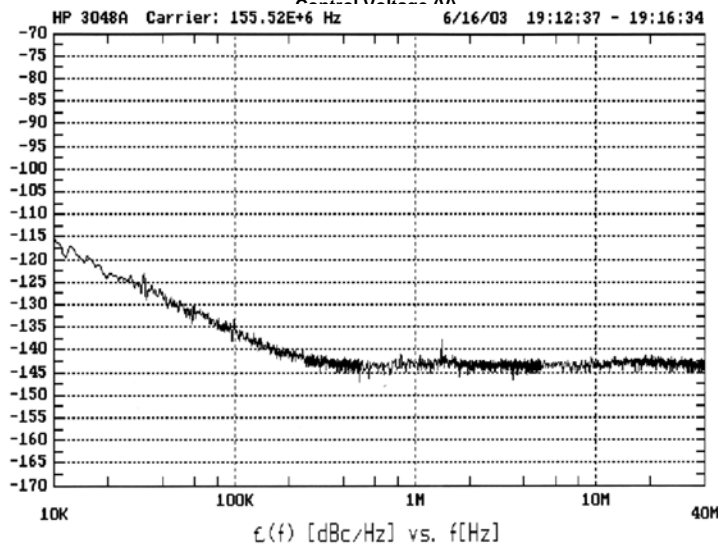
Typical Characteristics (5.0V Operation)



Vc Pull Characteristics (22.5 °C)

Typical Gain Transfer @ 155.52 = +435 ppm/V

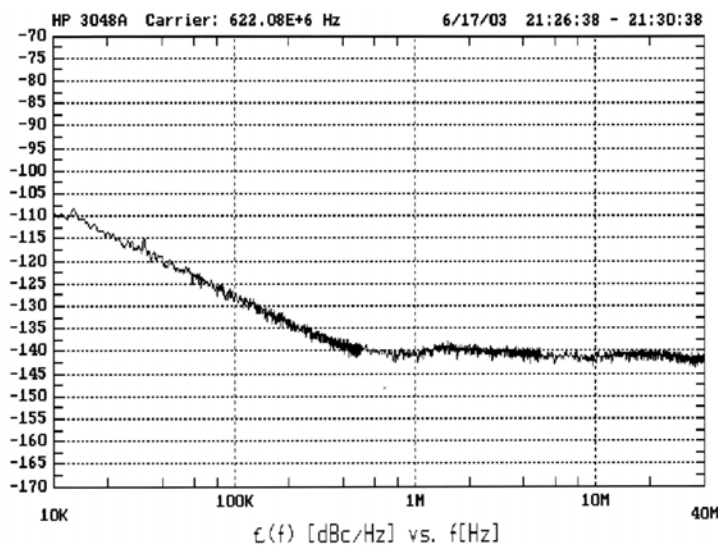
Typical Gain Transfer @ 622.08 = +281 ppm/V



Calculated Jitter @ 155.52 MHz (22.5 °C)

SONET OC-48 (12kHz-20MHz) = 0.418 ps-rms; 2.93 ps-pp

SONET OC-192 (50kHz-80MHz) = 0.656 ps-rms; 4.59 ps-pp



Calculated Jitter @ 622.08 MHz (22.5 °C)

SONET OC-48 (12kHz-20MHz) = 0.215 ps-rms; 1.51 ps-pp

SONET OC-192 (50kHz-80MHz) = 0.226 ps-rms; 1.58 ps-pp

VS-500 Voltage Controlled SAW Oscillator

Reliability

The VS-500 family is capable of meeting the following qualification tests:

Environmental Compliance

Parameter	Conditions
Mechanical Shock	MIL-STD-883, Method 2002
Mechanical Vibration	MIL-STD-883, Method 2007
Solderability	MIL-STD-883, Method 2003
Gross and Fine Leak	MIL-STD-883, Method 1014
Resistance to Solvents	MIL-STD-883, Method 2016

Handling Precautions

Although ESD protection circuitry has been designed into the VS-500 proper precautions should be taken when handling and mounting. VI employs a human body model and a charged-device model (CDM) for ESD susceptibility testing and design protection evaluation.

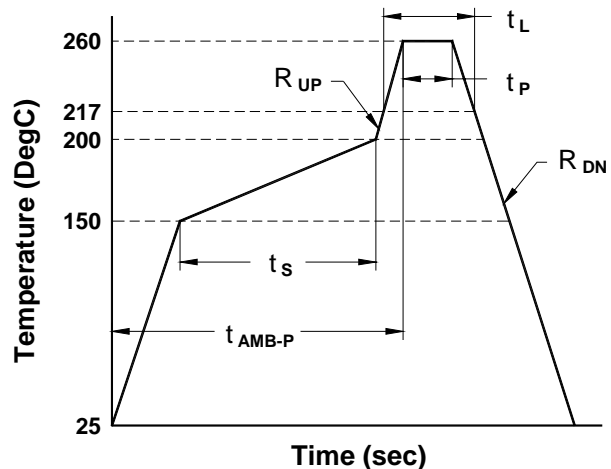
ESD Ratings

Model	Minimum	Conditions
Human Body Model	1500 V	MIL-STD 883, Method 3015
Charged Device Model	1000 V	JESD 22-C101

Reflow Profile (IPC/JEDEC J-STD-020C)

Parameter	Symbol	Value
PreHeat Time	t_s	60 sec Min, 180 sec Max
Ramp Up	R_{UP}	3 °C/sec Max
Time Above 217 °C	t_L	60 sec Min, 150 sec Max
Time To Peak Temperature	t_{AMB-P}	480 sec Max
Time At 260 °C	t_P	20 sec Min, 40 sec Max
Ramp Down	R_{DN}	6 °C/sec Max

The device has been qualified to meet the JEDEC standard for Pb-Free assembly. The temperatures and time intervals listed are based on the Pb-Free small body requirements. The temperatures refer to the topside of the package, measured on the package body surface. The VS-500 device is hermetically sealed so an aqueous wash is not an issue.



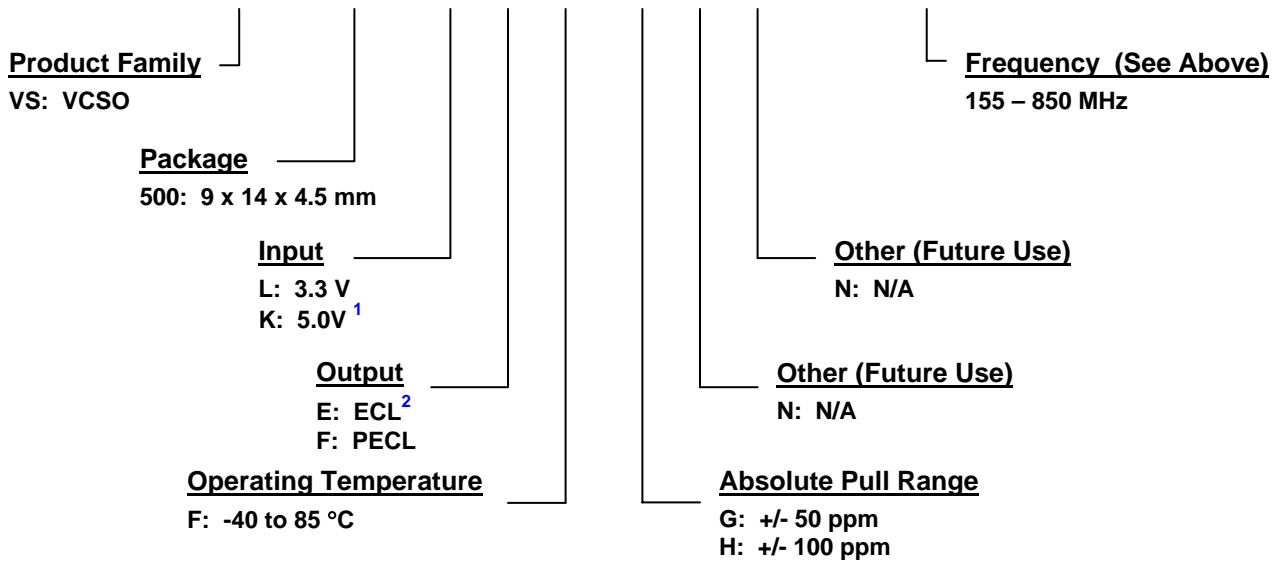
VS-500 Voltage Controlled SAW Oscillator

Standard Frequencies (MHz)					
155.5200	156.2500	159.3750	161.1328	164.3555	166.6286
167.3316	177.7371	311.0400	320.0000	400.0000	537.6000
622.0800	624.7048	625.0000	627.3296	629.9878	640.0000
644.5313	657.4219	666.5143	669.3266	669.6429	670.8386
672.1627	690.5692	693.4830	693.7500	716.5372	718.7500
719.7344	748.0709	750.0000	779.5686	781.2500	805.6641

Other Frequencies Available Upon Request.

Ordering Information

VS - 500 - L F F - G N N - xxx.xxx



¹For all new 5.0V supply requirements, PECL output configuration is suggested. ²ECL “E” Is Only Available In 5.0V “K” Configuration and is offered to make the Vc Input Impedance backward compatible with the VS-500A & VS-500F products. For further information, please contact your local Vectron Marketing Representative.

Part Number Cross Reference

Old Part Number	New Part Number
VS-500A	VS-500-KEF-GNN
VS-500F	VS-500-KEF-HNN

For Additional Information, Please Contact:



USA: Vectron International, 267 Lowell Rd, Hudson, NH 03051 Tel: 1-88-VECTRON-1 Fax: 1-888-FAX-VECTRON
 EUROPE: Tel: +49 (0) 3328-4784-17 Fax: +49 (0) 3328-4784-30
 ASIA: Tel: +86-21-28909740 Fax: +86-21-28909999

Vectron International reserves the right to make changes to the product(s) and or information contained herein without notice. No liability is assumed as a result of their use or application. No rights under any patent accompany the sale of any such product(s) or information.

Данный компонент на территории Российской Федерации

Вы можете приобрести в компании MosChip.

Для оперативного оформления запроса Вам необходимо перейти по данной ссылке:

<http://moschip.ru/get-element>

Вы можете разместить у нас заказ для любого Вашего проекта, будь то серийное производство или разработка единичного прибора.

В нашем ассортименте представлены ведущие мировые производители активных и пассивных электронных компонентов.

Нашей специализацией является поставка электронной компонентной базы двойного назначения, продукции таких производителей как XILINX, Intel (ex.ALTERA), Vicor, Microchip, Texas Instruments, Analog Devices, Mini-Circuits, Amphenol, Glenair.

Сотрудничество с глобальными дистрибьюторами электронных компонентов, предоставляет возможность заказывать и получать с международных складов практически любой перечень компонентов в оптимальные для Вас сроки.

На всех этапах разработки и производства наши партнеры могут получить квалифицированную поддержку опытных инженеров.

Система менеджмента качества компании отвечает требованиям в соответствии с ГОСТ Р ИСО 9001, ГОСТ РВ 0015-002 и ЭС РД 009

Офис по работе с юридическими лицами:

105318, г.Москва, ул.Щербаковская д.3, офис 1107, 1118, ДЦ «Щербаковский»

Телефон: +7 495 668-12-70 (многоканальный)

Факс: +7 495 668-12-70 (доб.304)

E-mail: info@moschip.ru

Skype отдела продаж:

moschip.ru

moschip.ru_4

moschip.ru_6

moschip.ru_9