

MAX14640–MAX14644/MAX14651

USB Host Adapter Emulators

General Description

The MAX14640–MAX14644/MAX14651 are next-generation USB 2.0 host charger adapter emulators that combine USB Hi-Speed analog switches with a USB adapter emulator circuit.

The MAX14640/MAX14651 feature an I²C interface to fully configure the charging behavior with different address options. The MAX14641–MAX14644 are controlled by two GPIO inputs (CB1/CB0) and support USB data and automatic charger mode. In charging downstream port (CDP) pass-through mode, the devices emulate the CDP function while supporting normal USB traffic. The MAX14641/MAX14642/MAX14643 have a CEN output for an active-high CLS enable input, and the MAX14644 has a CEN output for an active-low CLS enable input to restart the peripheral connected to the USB host.

The MAX14640–MAX14644/MAX14651 feature 2A high-current autodetect mode. The MAX14641 features 1A high-current forced mode instead of regular DCP mode. The MAX14640/MAX14651 can be configured through I²C to support various dedicated charger modes such as DCP, Apple® 1A/2A forced, or Apple 1A/2A automatic mode.

All the devices support CDP and standard downstream port (SDP) charging while in the active state (S0) and support the dedicated charging port (DCP) charging while in the standby state (S3/S4/S5). All devices support low-speed remote wake-up by monitoring DM, and the MAX14642 also supports remote wake-up in sleep mode (S3).

The MAX14640–MAX14644/MAX14651 are available in an 8-pin (2mm x 2mm) TDFN-EP package and are specified over the -40°C to +85°C extended temperature range.

Ordering Information and Typical Operating Circuit appear at end of data sheet.

Benefits and Features

- ◆ **Improved Charger Interoperability**
 - ◇ **USB (CDP) Emulation**
 - Smart CDP
 - Foolproof CDP
 - Meets New USB Battery Charging (BC) Revision 1.2 Specification
 - ◇ **Backward Compatible with Previous USB BC Revisions**
 - ◇ **Meets China YD/T1591-2009 Charging Specification**
 - ◇ **Supports Standby-Mode Charging for Apple BC Revision 1.2 Compatible Devices**
- ◆ **Provide Greater Application Flexibility**
 - ◇ **I²C Controls Multiple Modes (MAX14640/MAX14651)**
 - ◇ **CB0 and CB1 Pins Control Multiple Automatic and Manual Charger States**
- ◆ **Enhance Performance with High Level of Integrated Features**
 - ◇ **Supports Remote Wake-Up**
 - ◇ **Low-Capacitance USB 2.0 Hi-Speed Switch to Change Charging Modes**
 - ◇ **Automatic Current-Limit Switch Control**
 - ◇ **±15kV ESD Protection on DP/DM**
- ◆ **Minimize PCB Area**
 - ◇ **2mm x 2mm, 8-Pin TDFN Package**

Applications

Laptop/Desktop Computers

USB Hubs

Universal Chargers Including iPod®/iPhone®/iPad®

Selector Guide

PART NUMBER	I/O MODE	CEN POLARITY	REMOTE WAKE-UP IN AM	FORCED CHARGER MODE	BIAS IN FM
MAX14640	I ² C (0x35)	N/A	Optional	Yes	DP/DM short
MAX14651	I ² C (0x15)	N/A	Optional	Yes	DP/DM short
MAX14641	GPIO	CEN	No	No	Apple 1A
MAX14642	GPIO	CEN	Yes	Yes	DP/DM short
MAX14643	GPIO	CEN	No	Yes	DP/DM short
MAX14644	GPIO	CEN	No	Yes	DP/DM short

Apple, iPad, iPod, and iPhone are registered trademarks of Apple, Inc.

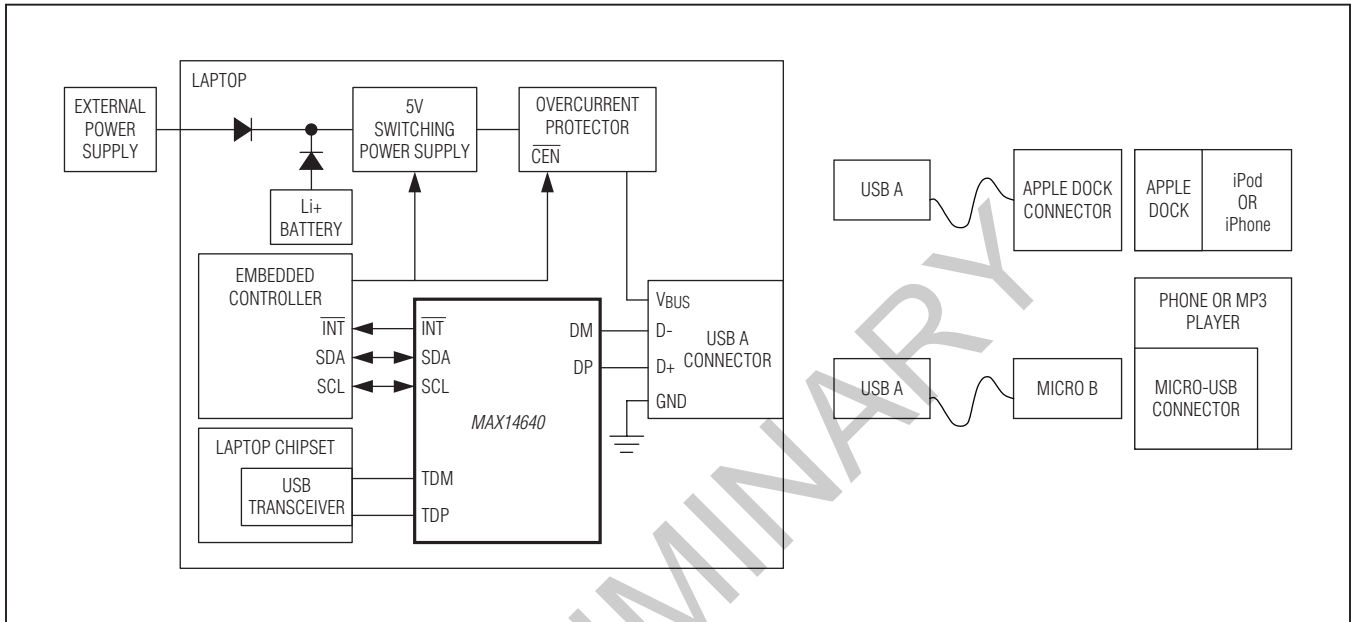
For related parts and recommended products to use with this part, refer to: www.maximintegrated.com/MAX14640.related

For pricing, delivery, and ordering information, please contact Maxim Direct at 1-888-629-4642, or visit Maxim's website at www.maximintegrated.com.

MAX14640–MAX14644/MAX14651

USB Host Adapter Emulators

Typical Operating Circuit



Ordering Information

PART	TEMP RANGE	PIN-PACKAGE
MAX14640ETA+T	-40°C to +85°C	8 TDFN-EP*
MAX14941ETA+T	-40°C to +85°C	8 TDFN-EP*
MAX14942ETA+T	-40°C to +85°C	8 TDFN-EP*
MAX14943ETA+T	-40°C to +85°C	8 TDFN-EP*
MAX14944ETA+T	-40°C to +85°C	8 TDFN-EP*
MAX14651ETA+T	-40°C to +85°C	8 TDFN-EP*

+ Denotes a lead(Pb)-free/RoHS-compliant package.

*EP = Exposed pad.

T = Tape and reel.

Chip Information

PROCESS: BiCMOS

Package Information

For the latest package outline information and land patterns (footprints), go to www.maximintegrated.com/packages. Note that a "+", "#", or "-" in the package code indicates RoHS status only. Package drawings may show a different suffix character, but the drawing pertains to the package regardless of RoHS status.

PACKAGE TYPE	PACKAGE CODE	OUTLINE NO.	LAND PATTERN NO.
8 TDFN	T822+2	21-0168	90-0065

Данный компонент на территории Российской Федерации

Вы можете приобрести в компании MosChip.

Для оперативного оформления запроса Вам необходимо перейти по данной ссылке:

<http://moschip.ru/get-element>

Вы можете разместить у нас заказ для любого Вашего проекта, будь то серийное производство или разработка единичного прибора.

В нашем ассортименте представлены ведущие мировые производители активных и пассивных электронных компонентов.

Нашей специализацией является поставка электронной компонентной базы двойного назначения, продукции таких производителей как XILINX, Intel (ex.ALTERA), Vicor, Microchip, Texas Instruments, Analog Devices, Mini-Circuits, Amphenol, Glenair.

Сотрудничество с глобальными дистрибьюторами электронных компонентов, предоставляет возможность заказывать и получать с международных складов практически любой перечень компонентов в оптимальные для Вас сроки.

На всех этапах разработки и производства наши партнеры могут получить квалифицированную поддержку опытных инженеров.

Система менеджмента качества компании отвечает требованиям в соответствии с ГОСТ Р ИСО 9001, ГОСТ РВ 0015-002 и ЭС РД 009

Офис по работе с юридическими лицами:

105318, г.Москва, ул.Щербаковская д.3, офис 1107, 1118, ДЦ «Щербаковский»

Телефон: +7 495 668-12-70 (многоканальный)

Факс: +7 495 668-12-70 (доб.304)

E-mail: info@moschip.ru

Skype отдела продаж:

moschip.ru

moschip.ru_4

moschip.ru_6

moschip.ru_9