

NOTES:

△ PART NUMBER VARIABLES: NOT ALL POSSIBLE CONFIGURATIONS SHOWN ON THIS DRAWING ARE AVAILABLE AS STANDARD PRODUCTS. PLEASE CHECK WITH RAYCHEM TO CONFIRM AVAILABILITY.

THIS FIELD OF NUMBERS IS REPLACED BY 3 DIGITS (-001 / -999) FOR SPECIALS

MODIFICATIONS: REFER TO APPLICABLE MOD DESCRIPTION SHEET. "BLANK WHEN NOT APPLICABLE"

POST CONFIGURATIONS: 1 = LONG POST, 2 = SHORT POST, 3 = POST BENT 90° "B" DIRECTION

FINISH: 2 = NICKEL PLATED, 3 = CADMIUM OVER NICKEL PLATED

SIZE: 1 = 1 INCH, 2 = 2 INCH

STYLE: C = FLANGED WITH CONDUCTIVE PANEL GASKET AND EXTERNAL MOUNTING HARDWARE, D = FLANGED WITH FLUROSILICONE PANEL GASKET AND EXTERNAL MOUNTING HARDWARE, F = FLANGED WITH FLUROSILICONE PANEL GASKET, S = FLANGED WITH CONDUCTIVE PANEL GASKET, Y = SPECIAL (REFER TO INDIVIDUAL SPECIFICATION CONTROL DRAWINGS FOR DESCRIPTIONS)

2. A SOCKET BOXMOUNT RECEPTACLE MATES WITH A MTC PLUG CONTAINING PIN INSERTS. REFER TO APPLICABLE RAYCHEM SPECIFICATION CONTROL DRAWINGS FOR DETAILS.

△ FOR KEYING INFORMATION, SEE RAYCHEM DRAWING D-659-0080.

△ THESE ITEMS ARE SUPPLIED UNASSEMBLED.

△ DIMENSION SHOWN IS WITH MATED PLUG CONNECTOR: a. WITH CABLE CLAMP, b. WITHOUT CABLE CLAMP AND WITHOUT EARS

△ THIS BOXMOUNT RECEPTACLE IS REAR PANEL MOUNTED AS SHOWN BY REMOVING AS MANY PANEL WASHERS AS REQUIRED TO ACCOMMODATE THE THICKNESS OF THE PANEL BEING USED. REFER TO SHEET 3, FIGURE 4 AND TABLE 2.

△ WIRE WRAPPABLE TERMINATION POST DESIGNED TO MIL-STD-1130.

△ KIT NUMBER CHA-0046-XXX IS AVAILABLE FOR MOUNTING A CONNECTOR TO A PRINTED CIRCUIT BOARD. SEE SHEET 3, FIGURE 3 FOR THE HOLE PATTERN RECOMMENDATION.

△ SEE SHEET 3, TABLE 3 FOR WEIGHTS. WEIGHTS SHOWN ARE WITHOUT DUST CAP AND WITHOUT TERMINATION POST PROTECTOR.

△ SEE SHEET 2 FIGURES FOR CONFIGURATION VARIATIONS.

△ TORQUE MOUNTING HARDWARE TO: 14-16 IN-LBS

If this document is printed it becomes uncontrolled. Check with the web for latest revision.

Table with 3 columns: LTR, DESCRIPTION, DATE, APPROVED. Rows include revisions G (REVISED PER ECN T-17996) and H (REDRAWN ON CAD PER ECN T-22751).

1" STANDARD INSERT ASSEMBLY SHOWN

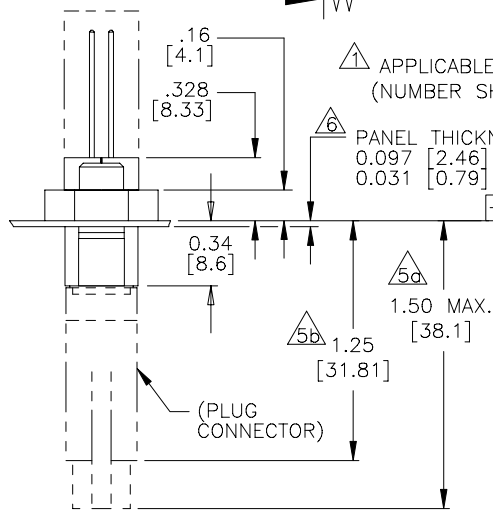
POST PROTECTOR (REMOVE PRIOR TO TERMINATION)

1" INSERT CONTACT IDENTIFICATION SHOWN

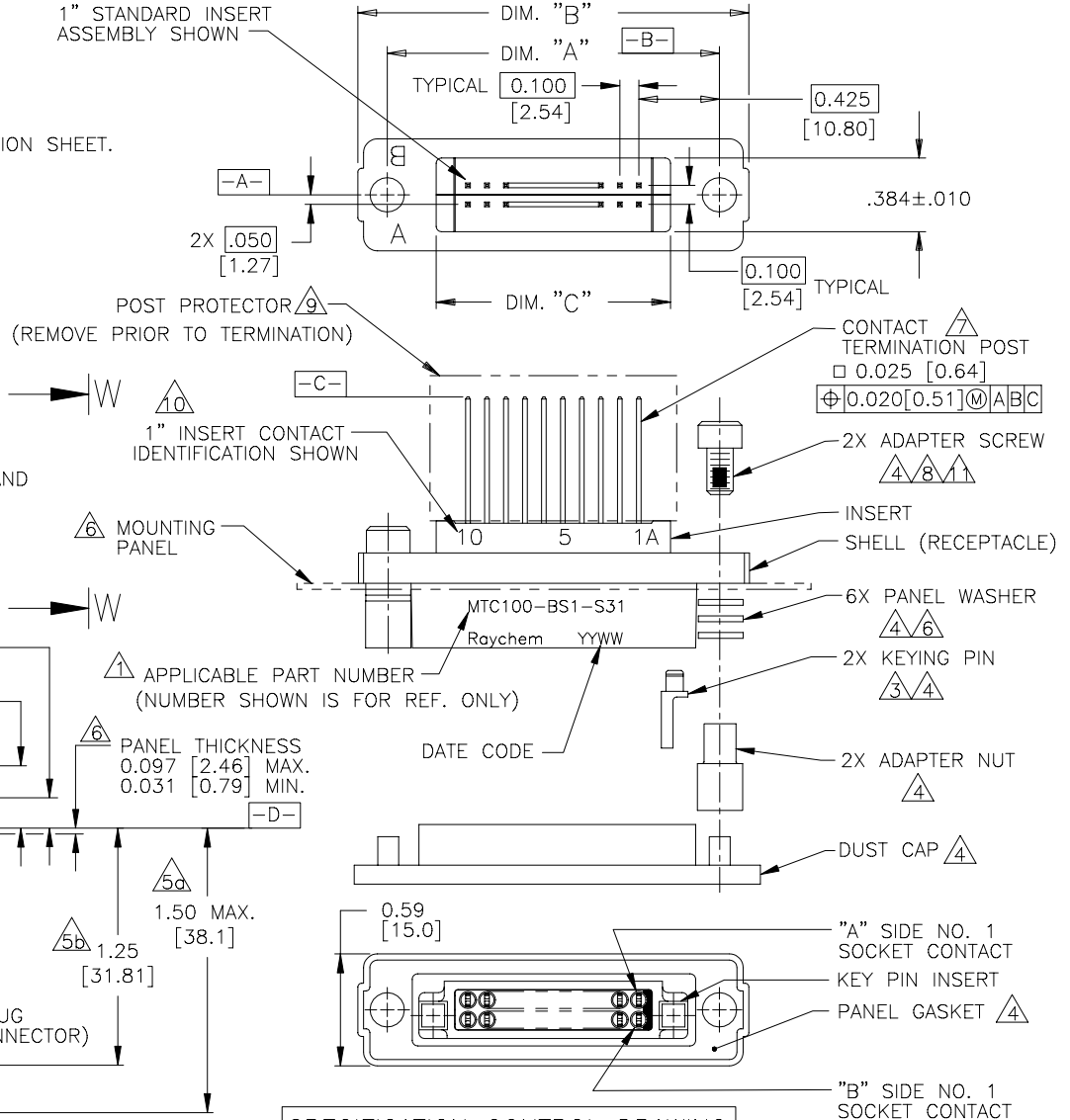
MOUNTING PANEL

APPLICABLE PART NUMBER (NUMBER SHOWN IS FOR REF. ONLY)

PANEL THICKNESS: 0.097 [2.46] MAX., 0.031 [0.79] MIN.



VIEW W-W



SPECIFICATION CONTROL DRAWING

THIS DRAWING AND THE INFORMATION SET FORTH HEREON ARE THE PROPERTY OF RAYCHEM CORPORATION. PUBLICATION, DUPLICATION, DISCLOSURE OR USE FOR ANY PURPOSE OTHER THAN THE CUSTOMER'S DIRECT NEEDS FOR THE APPLICATION CONCERNED, ARE PROHIBITED.

UNLESS OTHERWISE SPECIFIED DIMENSIONS ARE IN INCHES. METRIC DIMENSIONS ARE IN BRACKETS.

DECIMALS: .XXX ± .005 [0.13 mm], .XX ± .02 [0.51 mm]; ANGLES: .X ±; WEIGHT

Table with columns for RE-DRAWN, CHECKED, APPROVED, CAD NAME, and THIRD ANGLE PROJECTION.

Table with columns for TITLE, SIZE, CODE IDENT. NO., DWG. NO., and REV.

SHEET 1 OF 1 MTC100-BXX-SXX-XXX

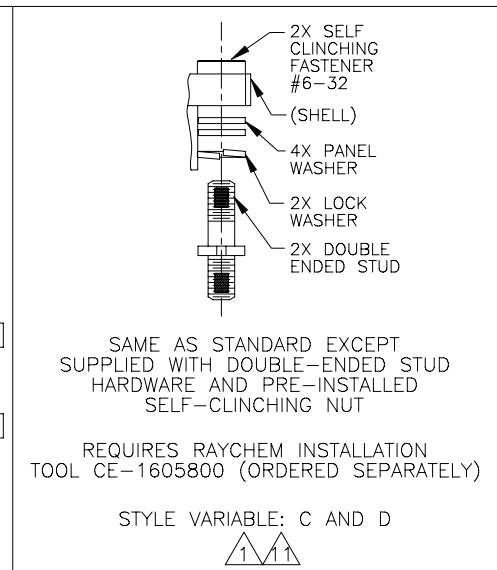
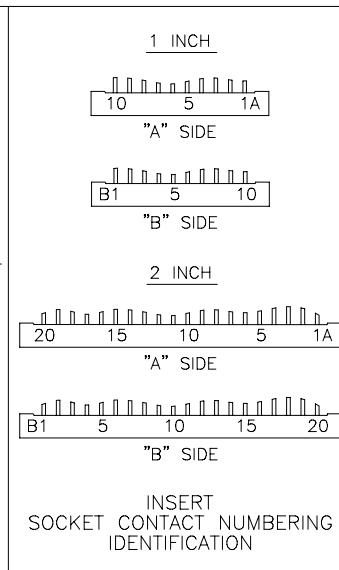
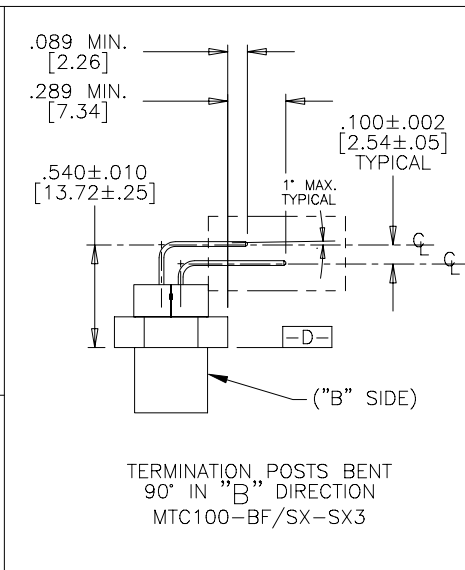
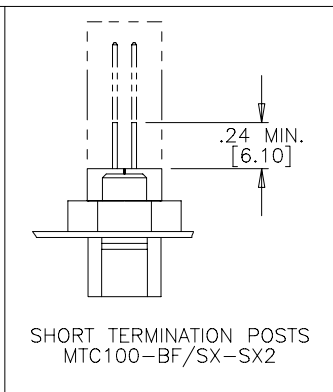
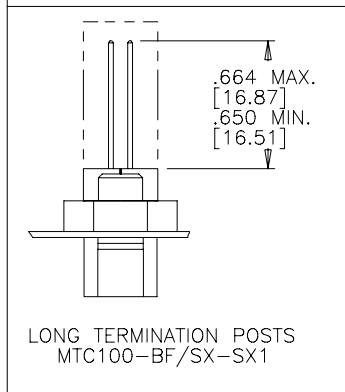
4

3

2

1

FIGURE 1  
BASIC DESIGN VARIATIONS



If this document is printed it becomes uncontrolled.  
Check with the web for latest revision.

SIZE C	CODE IDENT. NO. 06090	DWG. NO. MTC100-BXX-SXX-XXX	REV H
DO NOT SCALE THIS DRAWING		DWG. NAME T22751b.DWG	SHEET 2 OF 3

4

3

2

1

SHEET 2  
MTC100-BXX-SXX-XXX  
DWG. NO.

SPECIFICATIONS:

MATERIALS:

- |                                              |                                                                |
|----------------------------------------------|----------------------------------------------------------------|
| A. SHELL                                     | ALUMINUM ALLOY PER QQ-A-591                                    |
| B. ADAPTER SCREW                             | STAINLESS STEEL PER QQ-S-763, 300 SERIES                       |
| C. ADAPTER NUT                               | STAINLESS STEEL PER QQ-S-763, 300 SERIES                       |
| D. STANDARD PANEL GASKET<br>EME PANEL GASKET | SILICONE ELASTOMER PER MIL-R-25988<br>CONDUCTIVE FLOROSILICONE |
| E. INSERT                                    | HIGH GRADE THERMOPLASTIC DIELECTRIC                            |
| F. KEYING PIN                                | HIGH GRADE THERMOPLASTIC DIELECTRIC                            |
| G. SOCKET CONTACT                            | COPPER ALLOY 172 PER QQ-C-533                                  |
| H. PANEL WASHER                              | STAINLESS STEEL PER QQ-S-763, 300 SERIES                       |
| J. KEYING PIN INSERT                         | HIGH GRADE THERMOPLASTIC DIELECTRIC                            |

FINISH:

- |                   | APPLIES TO NICKEL PLATED CONNECTORS (STANDARD PLATING)              | APPLIES TO CADMIUM PLATED CONNECTORS               |
|-------------------|---------------------------------------------------------------------|----------------------------------------------------|
| A. SHELL          | NICKEL PLATED PER MIL-C-26074 CLASS 3, GRADE B                      | CADMIUM PLATED PER QQ-P-416 OVER NICKEL UNDERPLATE |
| B. ADAPTER SCREW  | PASSIVATED PER QQ-P-35                                              | CADMIUM PLATED PER QQ-P-416                        |
| C. ADAPTER NUT    | PASSIVATED PER QQ-P-35                                              | CADMIUM PLATED PER QQ-P-416                        |
| D. PANEL WASHER   | PASSIVATED PER QQ-P-35                                              | CADMIUM PLATED PER QQ-P-416                        |
| E. SOCKET CONTACT | ENGAGING END - GOLD PLATED PER MIL-G-45204 TYPE 1, GRADE C, CLASS 1 |                                                    |

DESIGN AND CONSTRUCTION:

THE CONNECTORS SPECIFIED HEREIN ARE PANEL MOUNTED RECEPTACLES WITH FIXED (NON-REMOVABLE) SOCKET INSERTS AND CONTACTS. THE CONNECTOR IS WITHOUT PROVISIONS FOR CABLE CLAMPS OR TERMINATION SEALS.

PERFORMANCE:

THE APPLICABLE RAYCHEM SPECIFICATION FOR THIS PART IS C6111. THIS PART IS NOT QUALIFIED TO C6111.

- HUMIDITY
- ALTITUDE IMMERSION
- ALTITUDE - LOW TEMPERATURE
- FLUID IMMERSION

THE CONNECTOR TERMINATION END MUST BE SUITABLY PROTECTED FOR TESTING OR APPLICATION IN ANY OF THESE ENVIRONMENTS.

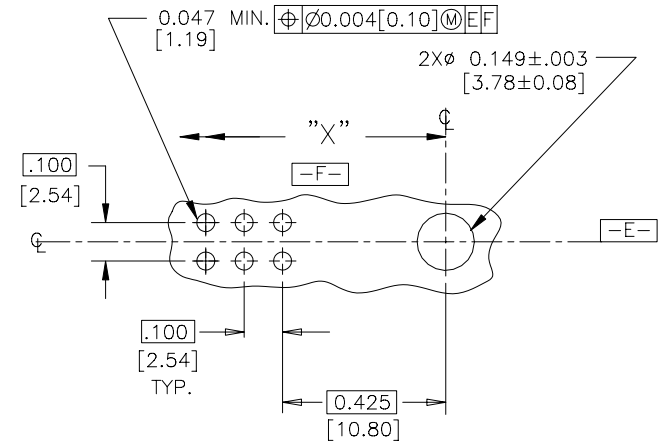


FIGURE 3  
RECOMMENDED HOLE PATTERN AND SIZE FOR PRINTED CIRCUIT BOARDS

"Z" MINIMUM RECOMMENDED CENTERLINE FOR ADJACENT MOUNTING

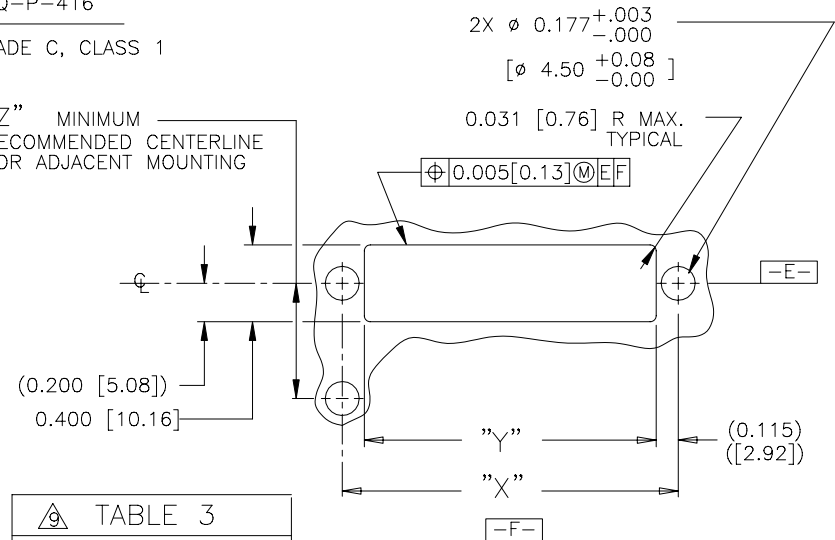


FIGURE 4  
RECOMMENDED PANEL CUT-OUT

CONNECTOR SIZE	"A"	"B"	"C"	"X"	"Y"	"Z"
1 INCH	1.750 [44.45]	2.06 [52.3]	1.234 [31.34]	1.750 [44.45]	1.520 [38.61]	0.600 [15.24]
2 INCH	2.750 [69.85]	3.06 [77.7]	2.234 [56.74]	2.750 [69.85]	2.520 [64.00]	0.600 [15.24]

PANEL THICKNESS	NUMBER OF PANEL WASHERS FOR EACH FASTENER
0.031/0.036 [0.8]/[0.9]	2
0.062/0.067 [1.5]/[1.7]	1
0.93/0.097 [2.3]/[2.4]	0

WEIGHT lbs.[gr.] MAX.	
1 INCH CONNECTOR	.049 [22.33]
2 INCH CONNECTOR	.068 [30.82]

If this document is printed it becomes uncontrolled. Check with the web for latest revision.

SIZE C	CODE IDENT. NO. 06090	DWG. NO. MTC100-BXX-SXX-XXX	REV H
DO NOT SCALE THIS DRAWING		DWG. NAME T22751c.DWG	SHEET 3 OF 3

SHEET 3  
MTC100-BXX-SXX-XXX  
DWG. NO.

## Данный компонент на территории Российской Федерации

### Вы можете приобрести в компании MosChip.

Для оперативного оформления запроса Вам необходимо перейти по данной ссылке:

<http://moschip.ru/get-element>

Вы можете разместить у нас заказ для любого Вашего проекта, будь то серийное производство или разработка единичного прибора.

В нашем ассортименте представлены ведущие мировые производители активных и пассивных электронных компонентов.

Нашей специализацией является поставка электронной компонентной базы двойного назначения, продукции таких производителей как XILINX, Intel (ex.ALTERA), Vicor, Microchip, Texas Instruments, Analog Devices, Mini-Circuits, Amphenol, Glenair.

Сотрудничество с глобальными дистрибьюторами электронных компонентов, предоставляет возможность заказывать и получать с международных складов практически любой перечень компонентов в оптимальные для Вас сроки.

На всех этапах разработки и производства наши партнеры могут получить квалифицированную поддержку опытных инженеров.

Система менеджмента качества компании отвечает требованиям в соответствии с ГОСТ Р ИСО 9001, ГОСТ РВ 0015-002 и ЭС РД 009

### Офис по работе с юридическими лицами:

105318, г.Москва, ул.Щербаковская д.3, офис 1107, 1118, ДЦ «Щербаковский»

Телефон: +7 495 668-12-70 (многоканальный)

Факс: +7 495 668-12-70 (доб.304)

E-mail: [info@moschip.ru](mailto:info@moschip.ru)

Skype отдела продаж:

moschip.ru

moschip.ru\_4

moschip.ru\_6

moschip.ru\_9