



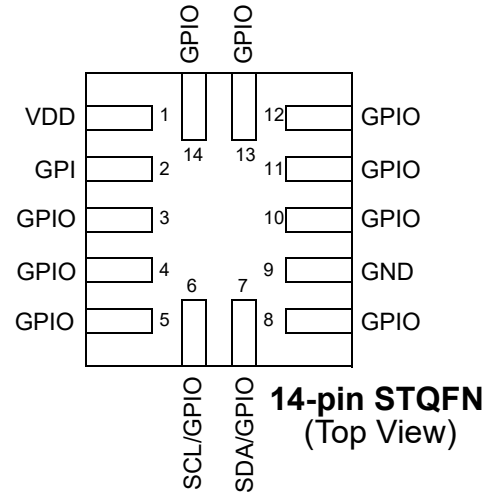
### Features

- Logic & Mixed Signal Circuits
- Highly Versatile Macrocells
- Read Back Protection (Read Lock)
- 1.8 V ( $\pm 5\%$ ) to 5 V ( $\pm 10\%$ ) Supply
- Operating Temperature Range:  $-40^{\circ}\text{C}$  to  $85^{\circ}\text{C}$
- RoHS Compliant / Halogen-Free
- 14-pin STQFN: 2 x 2.2 x 0.55 mm, 0.4 mm pitch

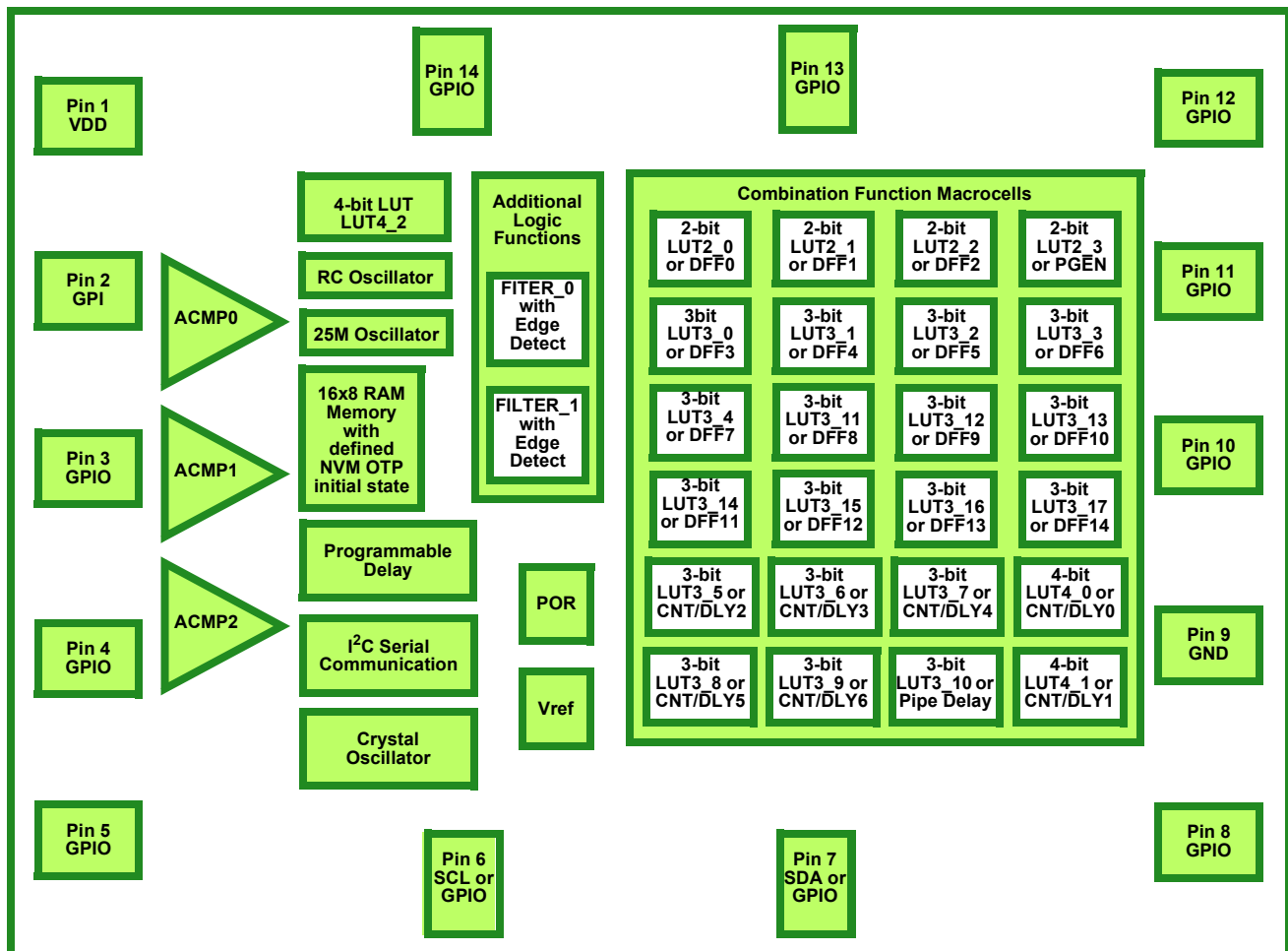
### Applications

- Personal Computers and Servers
- PC Peripherals
- Consumer Electronics
- Data Communications Equipment
- Handheld and Portable Electronics

### Pin Configuration



### Block Diagram





## 1.0 Overview

The SLG46536 provides a small, low power component for commonly used mixed-signal functions. The user creates their circuit design by programming the one time Non-Volatile Memory (NVM) to configure the interconnect logic, the I/O Pins and the macrocells of the SLG46536. This highly versatile device allows a wide variety of mixed-signal functions to be designed within a very small, low power single integrated circuit. The macrocells in the device include the following:

- Three Analog Comparators (ACMP)
- Twenty-six Combination Function Macrocells
  - Three Selectable DFF/Latch or 2-bit LUTs
  - One Selectable Continuous DFF/Latch or 3-bit LUT
  - Eleven Selectable DFF/Latch or 3-bit LUTs
  - One Selectable Pipe Delay or 3-bit LUT
  - One Selectable Programmable Pattern Generator or 2-bit LUT
  - Five 8-bit delays/counters or 3-bit LUTs
  - Two 16-bit delays/counters or 4-bit LUTs
  - Two Deglitch Filters with Edge Detectors
- Combinatorial Logic
  - One 4-bit LUT
- Serial Communications
  - I<sup>2</sup>C Protocol compliant
- 16x8 RAM Memory with defined NVM OTP initial state
- Pipe Delay – 16 stage/3 output (Part of Combination Function Macrocell)
- Programmable Delay
- Two Oscillators (OSC)
  - Configurable 25 kHz/2 MHz
  - 25 MHz RC Oscillator
- Crystal Oscillator
- Power-On-Reset (POR)



## 2.0 Pin Description

### 2.1 Functional Pin Description

Pin #	Pin Name	Function
1	VDD	Power Supply
2	GPI	General Purpose Input
3	GPIO	General Purpose I/O
4	GPIO	General Purpose I/O or ACMP0 (+)
5	GPIO	General Purpose I/O with OE or External Vref (ACMP0 IN-)
6	SCL/GPIO	General Purpose I/O SCL or GPIOD (NMOS open drain only)
7	SDA/GPIO	General Purpose I/O SDA or GPIOD (NMOS open drain only)
8	GPIO	General Purpose I/O with OE or ACMP1 (+)
9	GND	Ground
10	GPIO	General Purpose I/O External Vref (ACMP1 IN-)
11	GPIO	General Purpose I/O with OE
12	GPIO	General Purpose I/O with OE
13	GPIO	General Purpose I/O
14	GPIO	General Purpose I/O or External Clock Input



### 3.0 User Programmability

Non-volatile memory (NVM) is used to configure the SLG46536's connection matrix routing and macrocells. The NVM is One-Time-Programmable (OTP). However, Silego's GreenPAK development tools can be used to configure the connection matrix and macrocells, without programming the NVM, to allow on-chip emulation. This configuration will remain active on the device as long as it remains powered and can be re-written as needed to facilitate rapid design changes.

When a design is ready for in-circuit testing, the same GreenPAK development tools can be used to program the NVM and create samples for small quantity builds. Once the NVM is programmed, the device will retain this configuration for the duration of its lifetime.

Once the design is finalized, the design file can be forwarded to Silego to integrate into the production process.

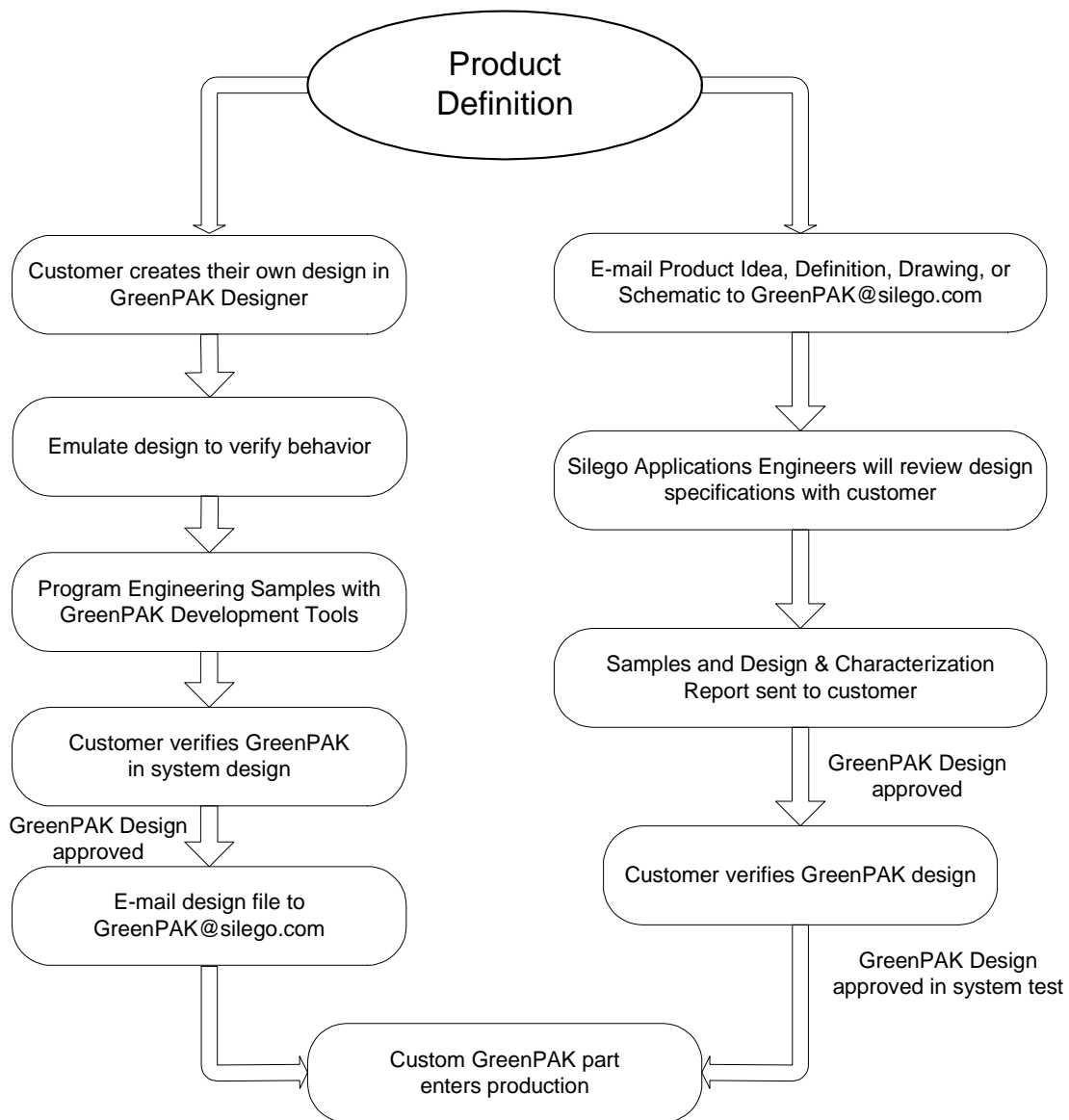


Figure 1. Steps to create a custom Silego GreenPAK device



---

**4.0 Ordering Information**

<b>Part Number</b>	<b>Type</b>
SLG46536V	14-pin STQFN
SLG46536VTR	14-pin STQFN - Tape and Reel (3k units)



## 5.0 Electrical Specifications

### 5.1 Absolute Maximum Conditions

Parameter		Min.	Max.	Unit
Supply voltage on VDD relative to GND		-0.5	7	V
DC Input voltage		GND - 0.5	VDD + 0.5	V
Maximum Average or DC Current (Through pin)	Push-Pull 1x	--	11	mA
	Push-Pull 2x	--	16	
	OD 1x	--	11	
	OD 2x	--	21	
	OD 4x	--	43	
Current at Input Pin		-1.0	1.0	mA
Storage Temperature Range		-65	150	°C
Junction Temperature		--	150	°C
ESD Protection (Human Body Model)		2000	--	V
ESD Protection (Charged Device Model)		1300	--	V
Moisture Sensitivity Level		1		

### 5.2 Electrical Characteristics (1.8 V ±5% V<sub>DD</sub>)

Symbol	Parameter	Condition/Note	Min.	Typ.	Max.	Unit
V <sub>DD</sub>	Supply Voltage		1.71	1.80	1.89	V
T <sub>A</sub>	Operating Temperature		-40	25	85	°C
V <sub>PP</sub>	Programming Voltage		7.25	7.50	7.75	V
V <sub>ACMP</sub>	ACMP Input Voltage Range	Positive Input	0	--	V <sub>DD</sub>	V
		Negative Input	0	--	1.2	V
V <sub>IH</sub>	HIGH-Level Input Voltage	Logic Input	1.06	--	V <sub>DD</sub>	V
		Logic Input with Schmitt Trigger	1.28	--	V <sub>DD</sub>	V
		Low-Level Logic Input	0.94	--	V <sub>DD</sub>	V
V <sub>IL</sub>	LOW-Level Input Voltage	Logic Input	0	--	0.76	V
		Logic Input with Schmitt Trigger	0	--	0.49	V
		Low-Level Logic Input	0	--	0.52	V
V <sub>HYS</sub>	Schmitt Trigger Hysteresis Voltage	Logic Input with Schmitt Trigger	0.10	0.41	0.66	V
I <sub>LKG</sub>	Input leakage (Absolute Value)		--	1	1000	nA
V <sub>OH</sub>	HIGH-Level Output Voltage	Push-Pull, I <sub>OH</sub> = 100 μA, 1X Drive	1.69	1.79	--	V
		PMOS OD, I <sub>OH</sub> = 100 μA, 1X Drive	1.69	1.79	--	V
		Push-Pull, I <sub>OH</sub> = 100 μA, 2X Drive	1.70	1.79	--	V
		PMOS OD, I <sub>OH</sub> = 100 μA, 2X Drive	1.70	1.79	--	V



Symbol	Parameter	Condition/Note	Min.	Typ.	Max.	Unit
V <sub>OL</sub>	LOW-Level Output Voltage	Push-Pull, I <sub>OL</sub> = 100 μA, 1X Drive	--	0.009	0.013	V
		Push-Pull, I <sub>OL</sub> = 100 μA, 2X Drive	--	0.004	0.006	V
		Open Drain, I <sub>OL</sub> = 100 μA, 1X Drive	--	0.006	0.009	V
		Open Drain, I <sub>OL</sub> = 100 μA, 2X Drive	--	0.003	0.004	V
		Open Drain NMOS 4X, I <sub>OL</sub> = 100 μA	--	0.001	0.002	V
I <sub>OH</sub>	HIGH-Level Output Pulse Current (see Note 1)	Push-Pull, V <sub>OH</sub> = V <sub>DD</sub> - 0.2, 1X Drive	1.07	1.70	--	mA
		PMOS OD, V <sub>OH</sub> = V <sub>DD</sub> - 0.2, 1X Drive	1.07	1.70	--	mA
		Push-Pull, V <sub>OH</sub> = V <sub>DD</sub> - 0.2, 2X Drive	2.22	3.41	--	mA
		PMOS OD, V <sub>OH</sub> = V <sub>DD</sub> - 0.2, 2X Drive	2.22	3.41	--	mA
I <sub>OL</sub>	LOW-Level Output Pulse Current (see Note 1)	Push-Pull, V <sub>OL</sub> = 0.15 V, 1X Drive	0.92	1.69	--	mA
		Push-Pull, V <sub>OL</sub> = 0.15 V, 2X Drive	1.83	3.38	--	mA
		Open Drain, V <sub>OL</sub> = 0.15 V, 1X Drive	1.38	2.53	--	mA
		Open Drain, V <sub>OL</sub> = 0.15 V, 2X Drive	2.75	5.07	--	mA
		Open Drain NMOS 4X, V <sub>OL</sub> = 0.15 V	7.21	9.00	--	mA
I <sub>VDD</sub>	Maximum Average or DC Current Through VDD Pin (Per chip side, see Note 2)	T <sub>J</sub> = 85°C	--	--	45	mA
		T <sub>J</sub> = 110°C	--	--	22	mA
I <sub>GND</sub>	Maximum Average or DC Current Through GND Pin (Per chip side, see Note 2)	T <sub>J</sub> = 85°C	--	--	86	mA
		T <sub>J</sub> = 110°C	--	--	41	mA
V <sub>O</sub>	Maximal Voltage Applied to any PIN in High-Impedance State		--	--	V <sub>DD</sub>	V
T <sub>SU</sub>	Startup Time	From VDD rising past P <sub>ON</sub> <sub>THR</sub>	0.63	1.36	1.87	ms
P <sub>ON</sub> <sub>THR</sub>	Power On Threshold	V <sub>DD</sub> Level Required to Start Up the Chip	1.41	1.54	1.66	V
P <sub>OFF</sub> <sub>THR</sub>	Power Off Threshold	V <sub>DD</sub> Level Required to Switch Off the Chip	1.00	1.15	1.31	V
R <sub>PUP</sub>	Pull Up Resistance	1 M Pull Up	859.8	1097.1	1358.9	kΩ
		100 k Pull Up	86.47	110.13	136.18	kΩ
		10 k Pull Up	10.82	12.86	15.36	kΩ
R <sub>PDWN</sub>	Pull Down Resistance	1 M Pull Down	873.9	1097.0	1359.0	kΩ
		100 k Pull Down	88.89	110.53	136.55	kΩ
		10 k Pull Down	9.65	12.75	15.76	kΩ

Note 1: DC or average current through any pin should not exceed value given in Absolute Maximum Conditions.

Note 2: The GreenPAK's power rails are divided in two sides. Pins 2, 3, 4, 5, 6, 7 and 8 are connected to one side, pins 10, 11, 12, 13 and 14 to another.



### 5.3 Electrical Characteristics (3.3 V $\pm$ 10% V<sub>DD</sub>)

Symbol	Parameter	Condition/Note	Min.	Typ.	Max.	Unit
V <sub>DD</sub>	Supply Voltage		3.0	3.3	3.6	V
T <sub>A</sub>	Operating Temperature		-40	25	85	°C
V <sub>PP</sub>	Programming Voltage		7.25	7.50	7.75	V
V <sub>ACMP</sub>	ACMP Input Voltage Range	Positive Input	0	--	V <sub>DD</sub>	V
		Negative Input	0	--	1.2	V
V <sub>IH</sub>	HIGH-Level Input Voltage	Logic Input	1.81	--	V <sub>DD</sub>	V
		Logic Input with Schmitt Trigger	2.14	--	V <sub>DD</sub>	V
		Low-Level Logic Input	1.06	--	V <sub>DD</sub>	V
V <sub>IL</sub>	LOW-Level Input Voltage	Logic Input	0	--	1.31	V
		Logic Input with Schmitt Trigger	0	--	0.97	V
		Low-Level Logic Input	0	--	0.67	V
V <sub>HYS</sub>	Schmitt Trigger Hysteresis Voltage	Logic Input with Schmitt Trigger	0.29	0.62	0.94	V
I <sub>LGK</sub>	Input leakage (Absolute Value)		--	1	1000	nA
V <sub>OH</sub>	HIGH-Level Output Voltage	Push-Pull, I <sub>OH</sub> = 3 mA, 1X Drive	2.70	3.12	--	V
		PMOS OD, I <sub>OH</sub> = 3 mA, 1X Drive	2.70	3.12	--	V
		Push-Pull, I <sub>OH</sub> = 3 mA, 2X Drive	2.85	3.21	--	V
		PMOS OD, I <sub>OH</sub> = 3 mA, 2X Drive	2.86	3.21	--	V
V <sub>OL</sub>	LOW-Level Output Voltage	Push-Pull, I <sub>OL</sub> = 3 mA, 1X Drive	--	0.13	0.23	V
		Push-Pull, I <sub>OL</sub> = 3 mA, 2X Drive	--	0.06	0.11	V
		Open Drain, I <sub>OL</sub> = 3 mA, 1X Drive	--	0.08	0.15	V
		Open Drain, I <sub>OL</sub> = 3 mA, 2X Drive	--	0.04	0.08	V
		Open Drain NMOS 4X, I <sub>OL</sub> = 3 mA	--	0.02	0.04	V
I <sub>OH</sub>	HIGH-Level Output Pulse Current (see Note 1)	Push-Pull, V <sub>OH</sub> = 2.4 V, 1X Drive	6.05	12.08	--	mA
		PMOS OD, V <sub>OH</sub> = 2.4 V, 1X Drive	6.05	12.08	--	mA
		Push-Pull, V <sub>OH</sub> = 2.4 V, 2X Drive	11.54	24.16	--	mA
		PMOS OD, V <sub>OH</sub> = 2.4 V, 2X Drive	11.52	24.16	--	mA
I <sub>OL</sub>	LOW-Level Output Pulse Current (see Note 1)	Push-Pull, V <sub>OL</sub> = 0.4 V, 1X Drive	4.88	8.24	--	mA
		Push-Pull, V <sub>OL</sub> = 0.4 V, 2X Drive	9.75	16.49	--	mA
		Open Drain, V <sub>OL</sub> = 0.4 V, 1X Drive	7.31	12.37	--	mA
		Open Drain, V <sub>OL</sub> = 0.4 V, 2X Drive	14.54	24.74	--	mA
		Open Drain NMOS 4X, V <sub>OL</sub> = 0.4 V	31.32	41.06	--	mA
I <sub>VDD</sub>	Maximum Average or DC Current Through VDD Pin (Per chip side, see Note 2)	T <sub>J</sub> = 85°C	--	--	45	mA
		T <sub>J</sub> = 110°C	--	--	22	mA
I <sub>GND</sub>	Maximum Average or DC Current Through GND Pin (Per chip side, see Note 2)	T <sub>J</sub> = 85°C	--	--	86	mA
		T <sub>J</sub> = 110°C	--	--	41	mA





Symbol	Parameter	Condition/Note	Min.	Typ.	Max.	Unit
$V_O$	Maximal Voltage Applied to any PIN in High-Impedance State		--	--	$V_{DD}$	V
$T_{SU}$	Startup Time	From $V_{DD}$ rising past $PON_{THR}$	0.61	1.24	1.65	ms
$PON_{THR}$	Power On Threshold	$V_{DD}$ Level Required to Start Up the Chip	1.41	1.54	1.66	V
$POFF_{THR}$	Power Off Threshold	$V_{DD}$ Level Required to Switch Off the Chip	1.00	1.15	1.31	V
$R_{PUP}$	Pull Up Resistance	1 M Pull Up	873.2	1094.7	1364.3	k $\Omega$
		100 k Pull Up	85.17	109.30	135.52	k $\Omega$
		10 k Pull Up	9.61	11.86	14.73	k $\Omega$
$R_{PDWN}$	Pull Down Resistance	1 M Pull Down	862.5	1096.3	1357.4	k $\Omega$
		100 k Pull Down	87.95	109.76	136.06	k $\Omega$
		10 k Pull Down	8.66	11.81	15.05	k $\Omega$

Note 1: DC or average current through any pin should not exceed value given in Absolute Maximum Conditions.  
Note 2: The GreenPAK's power rails are divided in two sides. Pins 2, 3, 4, 5, 6, 7 and 8 are connected to one side, pins 10, 11, 12, 13 and 14 to another.



### 5.4 Electrical Characteristics (5 V $\pm$ 10% V<sub>DD</sub>)

Symbol	Parameter	Condition/Note	Min.	Typ.	Max.	Unit
V <sub>DD</sub>	Supply Voltage		4.5	5.0	5.5	V
T <sub>A</sub>	Operating Temperature		-40	25	85	°C
V <sub>PP</sub>	Programming Voltage		7.25	7.50	7.75	V
V <sub>ACMP</sub>	ACMP Input Voltage Range	Positive Input	0	--	V <sub>DD</sub>	V
		Negative Input	0	--	1.2	V
V <sub>IH</sub>	HIGH-Level Input Voltage	Logic Input	2.68	--	V <sub>DD</sub>	V
		Logic Input with Schmitt Trigger	3.34	--	V <sub>DD</sub>	V
		Low-Level Logic Input	1.15	--	V <sub>DD</sub>	V
V <sub>IL</sub>	LOW-Level Input Voltage	Logic Input	0	--	1.96	V
		Logic Input with Schmitt Trigger	0	--	1.41	V
		Low-Level Logic Input	0	--	0.77	V
V <sub>HYS</sub>	Schmitt Trigger Hysteresis Voltage	Logic Input with Schmitt Trigger	0.44	0.90	1.38	V
I <sub>LGK</sub>	Input leakage (Absolute Value)		--	1	1000	nA
V <sub>OH</sub>	HIGH-Level Output Voltage	Push-Pull, I <sub>OH</sub> = 5 mA, 1X Drive	4.15	4.76	--	V
		PMOS OD, I <sub>OH</sub> = 5 mA, 1X Drive	4.16	4.76	--	V
		Push-Pull, I <sub>OH</sub> = 5 mA, 2X Drive	4.32	4.89	--	V
		PMOS OD, I <sub>OH</sub> = 5 mA, 2X Drive	4.33	4.89	--	V
V <sub>OL</sub>	LOW-Level Output Voltage	Push-Pull, I <sub>OL</sub> = 5 mA, 1X Drive	--	0.19	0.24	V
		Push-Pull, I <sub>OL</sub> = 5 mA, 2X Drive	--	0.09	0.12	V
		Open Drain, I <sub>OL</sub> = 5 mA, 1X Drive	--	0.12	0.16	V
		Open Drain, I <sub>OL</sub> = 5 mA, 2X Drive	--	0.07	0.08	V
		Open Drain NMOS 4X, I <sub>OL</sub> = 5 mA	--	0.03	0.05	V
I <sub>OH</sub>	HIGH-Level Output Pulse Current (see Note 1)	Push-Pull, V <sub>OH</sub> = 2.4 V, 1X Drive	22.08	34.04	--	mA
		PMOS OD, V <sub>OH</sub> = 2.4 V, 1X Drive	22.08	34.04	--	mA
		Push-Pull, V <sub>OH</sub> = 2.4 V, 2X Drive	41.76	68.08	--	mA
		PMOS OD, V <sub>OH</sub> = 2.4 V, 2X Drive	41.69	68.08	--	mA
I <sub>OL</sub>	LOW-Level Output Pulse Current (see Note 1)	Push-Pull, V <sub>OL</sub> = 0.4 V, 1X Drive	7.22	11.58	--	mA
		Push-Pull, V <sub>OL</sub> = 0.4 V, 2X Drive	13.83	23.16	--	mA
		Open Drain, V <sub>OL</sub> = 0.4 V, 1X Drive	10.82	17.38	--	mA
		Open Drain, V <sub>OL</sub> = 0.4 V, 2X Drive	17.34	34.76	--	mA
		Open Drain NMOS 4X, V <sub>OL</sub> = 0.4 V	41.06	55.18	--	mA
I <sub>VDD</sub>	Maximum Average or DC Current Through VDD Pin (Per chip side, see Note 2)	T <sub>J</sub> = 85°C	--	--	45	mA
		T <sub>J</sub> = 110°C	--	--	22	mA
I <sub>GND</sub>	Maximum Average or DC Current Through GND Pin (Per chip side, see Note 2)	T <sub>J</sub> = 85°C	--	--	86	mA
		T <sub>J</sub> = 110°C	--	--	41	mA



Symbol	Parameter	Condition/Note	Min.	Typ.	Max.	Unit
V <sub>O</sub>	Maximal Voltage Applied to any PIN in High-Impedance State		--	--	V <sub>DD</sub>	V
T <sub>SU</sub>	Startup Time	From V <sub>DD</sub> rising past PON <sub>THR</sub>	0.60	1.23	1.61	ms
PON <sub>THR</sub>	Power On Threshold	V <sub>DD</sub> Level Required to Start Up the Chip	1.41	1.54	1.66	V
POFF <sub>THR</sub>	Power Off Threshold	V <sub>DD</sub> Level Required to Switch Off the Chip	1.00	1.15	1.31	V
R <sub>PUP</sub>	Pull Up Resistance	1 M Pull Up	864.6	1093.4	1348.1	kΩ
		100 k Pull Up	84.32	108.97	135.24	kΩ
		10 k Pull Up	8.74	11.37	14.52	kΩ
R <sub>PDWN</sub>	Pull Down Resistance	1 M Pull Down	873.3	1096.1	1370.5	kΩ
		100 k Pull Down	87.57	109.48	135.89	kΩ
		10 k Pull Down	7.95	11.33	14.78	kΩ

Note 1: DC or average current through any pin should not exceed value given in Absolute Maximum Conditions.

Note 2: The GreenPAK's power rails are divided in two sides. Pins 2, 3, 4, 5, 6, 7 and 8 are connected to one side, pins 10, 11, 12, 13 and 14 to another.

### 5.5 I<sup>2</sup>C Specifications

Symbol	Parameter	Condition/Note	Min.	Typ.	Max.	Unit
F <sub>SCL</sub>	Clock Frequency, SCL	V <sub>DD</sub> = (1.71...5.5) V	--	--	400	kHz
t <sub>LOW</sub>	Clock Pulse Width Low	V <sub>DD</sub> = (1.71...5.5) V	1300			ns
t <sub>HIGH</sub>	Clock Pulse Width High	V <sub>DD</sub> = (1.71...5.5) V	600	--	--	ns
t <sub>i</sub>	Input Filter Spike Suppression (SCL, SDA)	V <sub>DD</sub> = 1.8 V ± 5 %	--	--	95	ns
		V <sub>DD</sub> = 3.3 V ± 10 %			95	
		V <sub>DD</sub> = 5.0 V ± 10 %			111	
t <sub>AA</sub>	Clock Low to Data Out Valid	V <sub>DD</sub> = (1.71...5.5) V	--	--	900	ns
t <sub>BUF</sub>	Bus Free Time between Stop and Start	V <sub>DD</sub> = (1.71...5.5) V	1300	--	--	ns
t <sub>HD_STA</sub>	Start Hold Time	V <sub>DD</sub> = (1.71...5.5) V	600	--	--	ns
t <sub>SU_STA</sub>	Start Set-up Time	V <sub>DD</sub> = (1.71...5.5) V	600	--	--	ns
t <sub>HD_DAT</sub>	Data Hold Time	V <sub>DD</sub> = (1.71...5.5) V	0	--	--	ns
t <sub>SU_DAT</sub>	Data Set-up Time	V <sub>DD</sub> = (1.71...5.5) V	100	--	--	ns
t <sub>R</sub>	Inputs Rise Time	V <sub>DD</sub> = (1.71...5.5) V	--	--	300	ns
t <sub>F</sub>	Inputs Fall Time	V <sub>DD</sub> = (1.71...5.5) V	--	--	300	ns
t <sub>SU_STO</sub>	Stop Set-up Time	V <sub>DD</sub> = (1.71...5.5) V	600	--	--	ns
t <sub>DH</sub>	Data Out Hold Time	V <sub>DD</sub> = (1.71...5.5) V	50	--	--	ns



### 5.6 IDD Estimator

Table 1. Typical Current Estimated for Each Macrocell at T=25°C

Symbol	Parameter	Note	V <sub>DD</sub> = 1.8 V	V <sub>DD</sub> = 3.3V	V <sub>DD</sub> = 5.0V	Unit
I	Current	Chip Quiescent	0.45	0.75	1.12	μA
		OSC 2 MHz, predivide = 1	41.48	64.00	94.89	μA
		OSC 2 MHz, predivide = 8	25.68	32.41	43.22	μA
		OSC 25 kHz, predivide = 1	7.16	7.94	9.25	μA
		OSC 25 kHz, predivide = 8	6.97	7.60	8.68	μA
		OSC 25 MHz, predivide = 1	87.25	238.27	428.66	μA
		OSC 25 MHz, predivide = 8	78.01	212.45	390.17	μA
		ACMP (each)	54.96	52.64	60.81	μA
		ACMP with buffer (each)	75.06	72.74	81.25	μA
		Vref (each)	49.70	47.32	55.60	μA
		Vref with Buffer (each)	71.93	71.27	79.62	μA



## 5.7 Timing Estimator

Table 2. Typical Delay Estimated for Each Macrocell at T=25°C

Symbol	Parameter	Note	V <sub>DD</sub> = 1.8 V		V <sub>DD</sub> = 3.3V		V <sub>DD</sub> = 5.0V		Unit
			rising	falling	rising	falling	rising	falling	
tpd	Delay	Digital Input to PP 1X	45	50	19	21	14	15	ns
tpd	Delay	Digital Input with Schmitt Trigger to PP 1X	44	49	19	21	14	15	ns
tpd	Delay	Low Voltage Digital input to PP 1X	46	447	19	195	14	134	ns
tpd	Delay	Digital input to PMOS output	44	-	19	-	14	-	ns
tpd	Delay	Digital input to NMOS output	-	81	-	30	-	20	ns
tpd	Delay	Output enable from pin, OE Hi-Z to 1	48	-	20	-	15	-	ns
tpd	Delay	Output enable from pin, OE Hi-Z to 0	-	46	-	20	-	24	ns
tpd	Delay	LUT2bit (LATCH)	34	33	14	13	10	9	ns
tpd	Delay	LATCH (LUT2bit)	30	34	14	13	10	9	ns
tpd	Delay	LUT3bit (LATCH)	38	37	18	15	13	10	ns
tpd	Delay	LATCH+nRESET (LUT3bit)	45	42	21	17	15	12	ns
tpd	Delay	LATCH	33	5	14	14			ns
tpd	Delay	LUT4bit	28	33	14	13	10	9	ns
tpd	Delay	LUT2bit	31	31	14	13	10	9	ns
tpd	Delay	LUT3bit	35	33	15	13	11	10	ns
tpd	Delay	CNT/DLY Logic	62	68	27	29	19	20	ns
tpd	Delay	DFF	32	28	14	12	11	9	ns
tpd	Delay	P_DLY1C	62	68	27	29	19	20	ns
tpd	Delay	P_DLY2C	667	656	303	297	225	221	ns
tpd	Delay	P_DLY3C	968	956	440	434	327	322	ns
tpd	Delay	P_DLY4C	1265	1252	576	570	428	423	ns
tpd	Delay	Filter	213	210	84	83	55	55	ns
tpd	Delay	ACMP (5 mV overdrive, IN- = 600 mV)	1600	1900	1500	1800	1600	1800	ns
tw	width	I/O with 1X push pull (min transmitted)	20	20	20	20	20	20	ns
tw	width	filter (min transmitted)	150	150	55	55	35	35	ns

## 5.8 Typical Counter/Delay Offset Measurements

Table 3. Typical Counter/Delay Offset Measurements

Parameter	RC OSC Freq	RC OSC Power	V <sub>DD</sub> = 1.8 V	V <sub>DD</sub> = 3.3V	V <sub>DD</sub> = 5.0V	Unit
Offset (Power On Delay)	25 kHz	auto	1.6	1.6	1.6	μs
Offset (Power On Delay), fast start	25 kHz	auto	2.1	2.1	2.1	μs
Offset (Power On Delay)	2 MHz	auto	0.4	0.2	0.2	μs
Offset (Power On Delay), fast start	2 MHz	auto	0.7	0.5	0.4	μs
Offset (Power On Delay)	25 MHz	auto	0.01	0.05	0.04	μs
Frequency settling time	25 kHz	auto	19	14	12	μs
Frequency settling time	2 MHz	auto	14	14	14	μs
Variable (CLK period)	25 kHz	forced	0-40	0-40	0-40	μs
Variable (CLK period)	2 MHz	forced	0-0.5	0-0.5	0-0.5	μs
Variable (CLK period)	25 MHz		0-0.04	0-0.04	0-0.04	μs

**Table 3. Typical Counter/Delay Offset Measurements**

Parameter	RC OSC Freq	RC OSC Power	V <sub>DD</sub> = 1.8 V	V <sub>DD</sub> = 3.3V	V <sub>DD</sub> = 5.0V	Unit
T <sub>pd</sub> (non-delayed edge)	25 kHz/ 2 MHz	either	35	14	10	ns

### 5.9 Expected Delays and Widths

**Table 4. Expected Delays and Widths (typical)**

Symbol	Parameter	Note	V <sub>DD</sub> = 1.8 V	V <sub>DD</sub> = 3.3V	V <sub>DD</sub> = 5.0V	Unit
Width	Width, 1 cell	mode:(any)edge detect, edge detect output	296	135	101	ns
Width	Width, 2 cell	mode:(any)edge detect, edge detect output	597	272	203	ns
Width	Width, 3 cell	mode:(any)edge detect, edge detect output	898	410	305	ns
Width	Width, 4 cell	mode:(any)edge detect, edge detect output	1195	546	407	ns
time1	Delay, 1 cell	mode:(any)edge detect, edge detect output	55	24	18	ns
time1	Delay, 2 cell	mode:(any)edge detect, edge detect output	55	24	18	ns
time1	Delay, 3 cell	mode:(any)edge detect, edge detect output	55	24	18	ns
time1	Delay, 4 cell	mode:(any)edge detect, edge detect output	55	24	18	ns
time2	Delay, 1 cell	mode: both edge delay, edge detect output	367	165	106	ns
time2	Delay, 2 cell	mode: both edge delay, edge detect output	667	300	193	ns
time2	Delay, 3 cell	mode: both edge delay, edge detect output	968	440	279	ns
time2	Delay, 4 cell	mode: both edge delay, edge detect output	1265	575	365	ns

### 5.10 Typical Pulse Width Performance

**Table 5. Typical Pulse Width Performance at T=25°C**

Parameter	V <sub>DD</sub> = 1.8 V	V <sub>DD</sub> = 3.3V	V <sub>DD</sub> = 5.0V	Unit
Filtered Pulse Width for Filter 0	< 114	< 47	< 30	ns
Filtered Pulse Width for Filter 1	<75	<30	<19	ns



## 5.11 OSC Specifications

Table 6. 25 kHz RC OSC0 frequency limits

Power Supply Range (VDD) V	Temperature Range					
	+25 °C		0 °C ... +85 °C		-40 °C ... +85 °C	
	Minimum Value, kHz	Maximum Value, kHz	Minimum Value, kHz	Maximum Value, kHz	Minimum Value, kHz	Maximum Value, kHz
1.8 V ±5%	23.792	26.288	23.275	27.089	21.728	29.173
3.3 V ±10%	24.473	25.526	23.357	26.028	23.357	27.002
5 V ±10%	24.316	25.939	23.309	26.177	23.309	27.181
2.5 V ... 4.5 V	24.438	25.559	23.336	26.051	23.336	27.038
1.71 V... 5.5 V	23.354	26.670	22.828	27.483	21.301	29.545

Table 7. 25 kHz RC OSC0 frequency error (error calculated relative to nominal value)

Power Supply Range (VDD) V	Temperature Range					
	+25 °C		0 °C ... +85 °C		-40 °C ... +85 °C	
	Error (% at Minimum)	Error (% at Maximum)	Error (% at Minimum)	Error (% at Maximum)	Error (% at Minimum)	Error (% at Maximum)
1.8 V ±5%	-4.83%	5.15%	-6.90%	8.36%	-13.09%	16.69%
3.3 V ±10%	-2.11%	2.10%	-6.57%	4.11%	-6.57%	8.01%
5 V ±10%	-2.73%	3.76%	-6.76%	4.71%	-6.76%	8.72%
2.5 V ... 4.5 V	-2.25%	2.24%	-6.66%	4.21%	-6.66%	8.15%
1.71 V... 5.5 V	-6.58%	6.68%	-8.69%	9.93%	-14.80%	18.18%



## 5.11.1 2 MHz RC Oscillator

Table 8. 2 MHz RC OSC0 frequency limits

Power Supply Range (VDD) V	Temperature Range					
	+25 °C		0 °C ... +85 °C		-40 °C ... +85 °C	
	Minimum Value, MHz	Maximum Value, MHz	Minimum Value, MHz	Maximum Value, MHz	Minimum Value, MHz	Maximum Value, MHz
1.8 V ±5%	1.915	2.062	1.832	2.103	1.810	2.144
3.3 V ±10%	1.937	2.070	1.858	2.132	1.813	2.145
5 V ±10%	1.894	2.233	1.853	2.270	1.767	2.270
2.5 V ... 4.5 V	1.907	2.124	1.836	2.171	1.784	2.171
1.71 V... 5.5 V	1.760	2.274	1.706	2.305	1.629	2.305

Table 9. 2 MHz RC OSC0 frequency error (error calculated relative to nominal value)

Power Supply Range (VDD) V	Temperature Range					
	+25 °C		0 °C ... +85 °C		-40 °C ... +85 °C	
	Error (% at Minimum)	Error (% at Maximum)	Error (% at Minimum)	Error (% at Maximum)	Error (% at Minimum)	Error (% at Maximum)
1.8 V ±5%	-4.26%	3.12%	-8.38%	5.17%	-9.50%	7.20%
3.3 V ±10%	-3.14%	3.49%	-7.10%	6.58%	-9.33%	7.24%
5 V ±10%	-5.31%	11.66%	-7.37%	13.50%	-11.67%	13.50%
2.5 V ... 4.5 V	-4.65%	6.18%	-8.22%	8.57%	-10.81%	8.57%
1.71 V... 5.5 V	-12.01%	13.72%	-14.69%	15.23%	-18.57%	15.23%





## 5.11.2 25 MHz RC Oscillator

Table 10. 25 MHz RC OSC1 frequency limits

Power Supply Range (VDD) V	Temperature Range					
	+25 °C		0 °C ... +85 °C		-40 °C ... +85 °C	
	Minimum Value, MHz	Maximum Value, MHz	Minimum Value, MHz	Maximum Value, MHz	Minimum Value, MHz	Maximum Value, MHz
2.5 V ±10%	22.316	27.220	21.771	27.572	21.771	27.912
3.3 V ±10%	23.430	26.220	22.389	26.679	22.389	27.014
5 V ±10%	23.289	26.651	22.500	27.305	22.500	27.486
2.5 V ... 4.5 V	23.383	26.220	20.725	26.679	20.725	27.014
1.71 V... 5.5 V	12.643	26.220	12.203	26.679	11.317	27.014

Table 11. 25 MHz RC OSC1 frequency error (error calculated relative to nominal value)

Power Supply Range (VDD) V	Temperature Range					
	+25 °C		0 °C ... +85 °C		-40 °C ... +85 °C	
	Error (% at Minimum)	Error (% at Maximum)	Error (% at Minimum)	Error (% at Maximum)	Error (% at Minimum)	Error (% at Maximum)
2.5 V ±10%	-10.73%	8.88%	-12.92%	10.29%	-12.92%	11.65%
3.3 V ±10%	-6.28%	4.88%	-10.44%	6.72%	-10.44%	8.06%
5 V ±10%	-6.84%	6.61%	-10.00%	9.22%	-10.00%	9.95%
2.5 V ... 4.5 V	-14.47%	4.88%	-17.10%	6.72%	-17.10%	8.06%
1.71 V... 5.5 V	-49.43%	4.88%	-51.19%	6.72%	-54.73%	8.06%

Note: 25 MHz RC OSC1 performance is not guaranteed at VDD < 2.5 V.



### 5.11.3 OSC Power On delay

**Table 12. Oscillators Power On delay at room temperature, DLY/CNT Counter data = 100; RC OSC power setting: "Auto Power On", RC osc clock to matrix input: "Enable"**

Power Supply Range (VDD) V	RC OSC0 2 MHz		RC OSC0 25 kHz		RC OSC1	
	Typical Value, ns	Maximum Value, ns	Typical Value, $\mu$ s	Maximum Value, $\mu$ s	Typical Value, ns	Maximum Value, ns
1.71	372.7	407.3	0.40	0.57	71.2	87.3
1.80	349.2	379.5	0.38	0.41	65.0	78.7
1.89	330.3	358.0	0.35	0.41	59.7	71.3
2.30	277.2	298.1	0.29	0.31	43.0	54.0
2.50	262.0	281.9	0.28	0.30	39.6	48.1
2.70	250.2	269.8	0.26	0.30	36.7	43.5
3.00	236.6	256.7	0.25	0.44	33.2	39.8
3.30	226.7	247.4	0.23	0.47	30.4	36.8
3.60	219.0	239.9	0.22	0.46	28.2	34.3
4.20	207.4	229.2	0.37	0.50	25.8	30.6
4.50	202.8	224.5	1.63	1.92	25.0	29.2
5.00	196.3	218.7	1.67	2.05	24.3	27.5
5.50	190.8	213.3	1.69	1.99	23.7	26.8

**Table 13. Oscillators Power On delay at room temperature, DLY/CNT Counter data = 100; RC OSC power setting: "Auto Power On", RC osc clock to matrix input: "Enable", Fast Start-up Time Mode**

Power Supply Range (VDD) V	RC OSC0 2 MHz		RC OSC1 25 kHz	
	Typical Value, ns	Maximum Value, ns	Typical Value, $\mu$ s	Maximum Value, $\mu$ s
1.71	327.9	360.0	0.68	0.76
1.80	309.9	338.3	0.64	0.64
1.89	295.5	323.1	0.61	0.70
2.30	254.9	278.1	0.53	21.93
2.50	243.1	266.1	3.23	21.88
2.70	234.1	257.1	16.68	21.94
3.00	223.7	246.8	19.25	21.90
3.30	215.7	239.1	19.22	21.77
3.60	209.4	232.9	19.21	21.74
4.20	199.5	223.4	19.17	21.78
4.50	195.5	219.8	19.15	21.69
5.00	189.8	214.6	19.12	21.71
5.50	184.9	209.8	19.05	21.75



5.12 ACMP Specifications

Table 14. ACMP Specifications

Symbol	Parameter	Description/Note	Conditions	Min.	Typ.	Max.	Unit
V <sub>ACMP</sub>	ACMP Input Voltage Range	Positive Input	VDD = 1.8 V ± 5 %	0	--	V <sub>DD</sub>	V
		Negative Input		0	--	1.2	V
		Positive Input	VDD = 3.3 V ± 10 %	0	--	V <sub>DD</sub>	V
		Negative Input		0	--	1.2	V
		Positive Input	VDD = 5.0 V ± 10 %	0	--	V <sub>DD</sub>	V
		Negative Input		0	--	1.2	V
V <sub>offset</sub>	ACMP Input Offset Voltage	Low Bandwidth - Enable, V <sub>hys</sub> = 0 mV, Gain = 1, V <sub>ref</sub> = (50..1200) mV, VDD = (1.71..5.5) V	T = 25°C	-9.1	--	8.4	mV
			T = (-40..85)°C	-10.9	--	10.9	mV
		Low Bandwidth - Disable, V <sub>hys</sub> = 0 mV, Gain = 1, V <sub>ref</sub> = (50..1200) mV, VDD = (1.71..5.5) V	T = 25°C	-7.5	--	7.2	mV
			T = (-40..85)°C	-10.7	--	10.5	mV
t <sub>start</sub>	ACMP Start Time	ACMP Power On delay, Minimal required wake time for the "Wake and Sleep function", Regulator and Charge Pump set to automatic ON/OFF	BG = 550 μs, T = 25°C, VDD = (1.71..5.5) V	--	609.7	862.2	μS
			BG = 550 μs, T = (-40..85)°C, VDD = (1.71..5.5) V	--	675.0	1028.8	μS
			BG = 100 μs, T = 25°C, VDD = 2.7..5.5 V	--	132.4	176.2	μS
			BG = 100 μs, T = (-40..85)°C, VDD = 2.7..5.5 V	--	149.4	213.5	μS
		ACMP Power On delay, Minimal required wake time for the "Wake and Sleep function", Regulator and Charge Pump always OFF	BG = 550 μs, T = 25°C, VDD = (3..5.5) V	--	609.5	862.0	μS
			BG = 550 μs, T = (-40..85)°C, VDD = (3..5.5) V	--	674.6	1027.5	μS
			BG = 100 μs, T = 25°C, VDD = 3..5.5 V	--	131.6	176.0	μS
			BG = 100 μs, T = (-40..85)°C, VDD = 3..5.5 V	--	149.2	213.3	μS



Symbol	Parameter	Description/Note	Conditions	Min.	Typ.	Max.	Unit
V <sub>HYS</sub>	Built-in Hysteresis	V <sub>HYS</sub> = 25 mV V <sub>IL</sub> = V <sub>in</sub> - V <sub>HYS</sub> /2 V <sub>IH</sub> = V <sub>in</sub> + V <sub>HYS</sub> /2	LB - Enabled, T = 25°C	7.32	--	35.5	mV
			LB - Disabled, T = 25°C	10.0	--	38.5	mV
		V <sub>HYS</sub> = 50 mV V <sub>IL</sub> = V <sub>in</sub> - V <sub>HYS</sub> V <sub>IH</sub> = V <sub>HYS</sub>	LB - Enabled, T = 25°C	42.9	--	57.8	mV
			LB - Disabled, T = 25°C	44.2	--	54.3	mV
		V <sub>HYS</sub> = 200 mV V <sub>IL</sub> = V <sub>in</sub> - V <sub>HYS</sub> V <sub>IH</sub> = V <sub>HYS</sub>	LB - Enabled, T = 25°C	192.7	--	208.7	mV
			LB - Disabled, T = 25°C	193.3	--	204.8	mV
		V <sub>HYS</sub> = 25 mV V <sub>IL</sub> = V <sub>in</sub> - V <sub>HYS</sub> /2 V <sub>IH</sub> = V <sub>in</sub> + V <sub>HYS</sub> /2	LB - Enabled, T = (-40...+85)°C	0.0	--	58.0	mV
			LB - Disabled, T = (-40...+85)°C	0.0	--	52.9	mV
		V <sub>HYS</sub> = 50 mV V <sub>IL</sub> = V <sub>in</sub> - V <sub>HYS</sub> V <sub>IH</sub> = V <sub>HYS</sub>	LB - Enabled, T = (-40...+85)°C	22.5	--	86.9	mV
			LB - Disabled, T = (-40...+85)°C	29.2	--	76.5	mV
		V <sub>HYS</sub> = 200 mV V <sub>IL</sub> = V <sub>in</sub> - V <sub>HYS</sub> V <sub>IH</sub> = V <sub>HYS</sub>	LB - Enabled, T = (-40...+85)°C	157.1	--	251.6	mV
			LB - Disabled, T = (-40...+85)°C	160.2	--	245.3	mV
R <sub>sin</sub>	Series Input Resistance	Gain = 1x		--	100.0	--	MΩ
		Gain = 0.5x		--	1.0	--	MΩ
		Gain = 0.33x		--	0.8	--	MΩ
		Gain = 0.25x		--	1.0	--	MΩ
PROP	Propagation Delay, Response Time	Low Bandwidth - Enable, Gain = 1, VDD=(1.71..3.3)V, Overdrive=5 mV	Low to High, T = (-40...+85)°C	--	103.93	1853.68	μS
			High to Low, T = (-40...+85)°C	--	101.06	1656.70	μS
		Low Bandwidth - Disable, Gain = 1, VDD=(1.71..3.3)V, Overdrive=5 mV	Low to High, T = (-40...+85)°C	--	68.29	1753.33	μS
			High to Low, T = (-40...+85)°C	--	63.06	1568.55	μS
		Low Bandwidth - Enable, Gain = 1, VDD=(3.3..5.5)V, Overdrive=5 mV	Low to High, T = (-40...+85)°C	--	30.62	167.56	μS
			High to Low, T = (-40...+85)°C	--	33.54	181.40	μS
		Low Bandwidth - Disable, Gain = 1, VDD=(3.3..5.5)V, Overdrive=5 mV	Low to High, T = (-40...+85)°C	--	5.00	32.61	μS
			High to Low, T = (-40...+85)°C	--	5.24	33.88	μS



Symbol	Parameter	Description/Note	Conditions	Min.	Typ.	Max.	Unit
G	Gain error (including threshold and internal Vref error), T = (-40...+85)°C	G = 1, VDD = 1.71 V	Vref = 50...1200 mV	--	1	--	
		G = 1, VDD = 3.3 V		--	1	--	
		G = 1, VDD = 5.5 V		--	1	--	
		G = 0.5, VDD = 1.71 V		-1.00%	--	0.93%	
		G = 0.5, VDD = 3.3 V		-0.96%	--	0.82%	
		G = 0.5, VDD = 5.5 V		-1.04%	--	0.90%	
		G = 0.33, VDD = 1.71V		-1.75%	--	2.10%	
		G = 0.33, VDD = 3.3 V		-1.95%	--	1.69%	
		G = 0.33, VDD = 5.5 V		-2.03%	--	1.77%	
		G = 0.25, VDD = 1.71V		-1.91%	--	2.13%	
		G = 0.25, VDD = 3.3 V		-1.98%	--	1.80%	
G = 0.25, VDD = 5.5 V	-2.12%	--	1.90%				
Vref	Internal Vref error, Vref = 1200 mV	VDD = 1.8 V ± 5 %	T = 25°C	-0.58%	--	0.56%	
			T = (-40...+85)°C	-1.01%	--	0.70%	
		VDD = 3.3 V ± 10 %	T = 25°C	-0.59%	--	0.58%	
			T = (-40...+85)°C	-1.06%	--	0.72%	
		VDD = 5.0 V ± 10 %	T = 25°C	-0.64%	--	0.60%	
			T = (-40...+85)°C	-1.16%	--	0.74%	
	Internal Vref error, Vref = 1000 mV	VDD = 1.8 V ± 5 %	T = 25°C	-0.57%	--	0.58%	
			T = (-40...+85)°C	-1.14%	--	0.76%	
		VDD = 3.3 V ± 10 %	T = 25°C	-0.59%	--	0.58%	
			T = (-40...+85)°C	-1.04%	--	0.73%	
		VDD = 5.0 V ± 10 %	T = 25°C	-0.67%	--	0.64%	
			T = (-40...+85)°C	-1.15%	--	0.73%	
	Internal Vref error, Vref = 500 mV	VDD = 1.8 V ± 5 %	T = 25°C	-0.64%	--	0.64%	
			T = (-40...+85)°C	-1.11%	--	0.75%	
		VDD = 3.3 V ± 10 %	T = 25°C	-0.63%	--	0.63%	
T = (-40...+85)°C			-1.10%	--	0.78%		
VDD = 5.0 V ± 10 %		T = 25°C	-0.72%	--	0.70%		
		T = (-40...+85)°C	-1.15%	--	0.80%		



## 6.0 Summary of Macrocell Function

### 6.1 I/O Pins

- Digital Input (low voltage or normal voltage, with or without Schmitt Trigger)
- Open Drain Outputs
- Push Pull Outputs
- Analog I/O
- 10 k $\Omega$ /100 k $\Omega$ /1 M $\Omega$  pull-up/pull-down resistors
- 40 mA Open Drain 4X Drive output

### 6.2 Connection Matrix

- Digital matrix for circuit connections based on user design

### 6.3 Analog Comparators (3 total)

- Selectable hysteresis 0 mV / 25 mV / 50 mV / 200 mV
- Wake and Sleep Control (Part of Combination Function Macrocell)

### 6.4 Voltage Reference

- Used for references on Analog Comparators

### 6.5 Combination Function Macrocells (26 total)

- Three Selectable DFF/Latch or 2-bit LUTs
- One Selectable Continuous DFF/Latch or 3-bit LUT
- Eleven Selectable DFF/Latch or 3-bit LUTs
- One Selectable Pipe Delay or 3-bit LUT
- One Selectable Programmable Pattern Generator or 2-bit LUT
- Five Selectable 8-bit CNT/DLY or 3-bit LUT
- Two Selectable 16-bit CNT/DLY or 4-bit LUT
- Two Deglitch Filters with Edge Detectors

### 6.6 Combinatorial Logic Macrocell

- One 4-bit LUT

### 6.7 Serial Communications

- I<sup>2</sup>C Protocol compliant

### 6.8 16x8 RAM Memory with defined NVM OTP initial state

### 6.9 Pipe Delay (Part of Combination Function Macrocell)

- 16 stage / 3 output
- One 1 stage fixed output
- Two 1-16 stage selectable outputs.



### 6.10 Programmable Delay

- 125 ns/250 ns/375 ns/500 ns @ 3.3 V
- Includes Edge Detection function

### 6.11 RC Oscillator

- 25 kHz and 2 MHz selectable frequency
- 25 MHz RC Oscillator
- First stage divider (4): OSC/1, OSC/2, OSC/4, and OSC/8
- Second stage divider for 25 kHz and 2 MHz (5): Output to Matrix: OSC/1, OSC/2, OSC/3, OSC/4, OSC/8, OSC/12, OSC/24, OSC/64

### 6.12 Crystal Oscillator



## 7.0 I/O Pins

The SLG46536 has a total of 12 multi-function I/O pins which can function as either a user defined Input or Output, as well as serving as a special function, or serving as a signal for programming of the on-chip Non Volatile Memory (NVM).

Refer to Section 2.0 Pin Description for normal and programming mode pin definitions.

Normal Mode pin definitions are as follows:

- Pin 1:  $V_{DD}$  power supply
- Pin 2: general purpose input
- Pin 3: general purpose input or output
- Pin 4: general purpose input or output or analog comparator 0(+)
- Pin 5: general purpose input or output with OE or analog comparator 0(-)
- Pin 6: general purpose input or OD output SCL
- Pin 7: general purpose input or OD output SDA
- Pin 8: general purpose input or output with OE or analog comparator 1(+)
- Pin 9: ground
- Pin 10: general purpose input or output or analog comparator 0/1/2(-)
- Pin 11: general purpose input or output with OE
- Pin 12: general purpose input or output with OE
- Pin 13: general purpose input or output or external clock input for OSC0 25 kHz/2 MHz
- Pin 14: general purpose input or output or external clock input for OSC1 25 MHz

Programming Mode pin definitions are as follows:

- Pin 1:  $V_{DD}$  power supply
- Pin 2:  $V_{PP}$  programming voltage
- Pin 6: Programming SCL
- Pin 7: Programming SDA
- Pin 9: ground
- Pin 12: programming mode control

Of the 12 user defined I/O pins on the SLG46536, all but one of the pins (Pin 2) can serve as both digital input and digital output. Pin 2 can only serve as a digital input pin.

### 7.1 Input Modes

Each I/O pin can be configured as a digital input pin with/without buffered Schmitt Trigger, or can also be configured as a low voltage digital input. Pins 4, 5, 8 and 10 can also be configured to serve as analog inputs to the on-chip comparators.

### 7.2 Output Modes

Pins 3, 4, 5, 6, 7, 8, 10, 11, 12, 13 and 14 can all be configured as digital output pins.

### 7.3 Pull Up/Down Resistors

All I/O pins have the option for user selectable resistors connected to the input structure. The selectable values on these resistors are 10 k $\Omega$ , 100 k $\Omega$  and 1 M $\Omega$ . In the case of Pin 2, the resistors are fixed to a pull-down configuration. In the case of all other I/O pins, the internal resistors can be configured as either pull-up or pull-downs.





## 7.4 I/O Register Settings

### 7.4.1 PIN 2 Register Settings PIN 4 Register Settings PIN 6 Register Settings

**Table 15. PIN 2 Register Settings**

Signal Function	Register Bit Address	Register Definition
PIN 2 Pull Down Resistor Value Selection	<1029:1028>	00: Floating 01: 10 kΩ Resistor 10: 100 kΩ Resistor 11: 1 MΩ Resistor
PIN 2 Mode Control	<1031:1030>	00: Digital Input without Schmitt Trigger 01: Digital Input with Schmitt Trigger 10: Low Voltage Digital Input 11: Reserved

**Table 16. PIN 3 Register Settings**

Signal Function	Register Bit Address	Register Definition
PIN 3 Driver Strength Selection	<1041>	0: 1X 1: 2X
PIN 3 Pull Up/Down Resistor Selection	<1042>	0: Pull Down Resistor 1: Pull Up Resistor
PIN 3 Pull Up/Down Resistor Value Selection	<1044:1043>	00: Floating 01: 10 kΩ Resistor 10: 100 kΩ Resistor 11: 1 MΩ Resistor
PIN 3 Mode Control	<1047:1045>	000: Digital Input without Schmitt Trigger 001: Digital Input with Schmitt Trigger 010: Low Voltage Digital Input 011: Reserved 100: Push Pull 101: Open Drain NMOS 110: Open Drain PMOS 111: Reserved

**Table 17. PIN 4 Register Settings**

Signal Function	Register Bit Address	Register Definition
PIN 4 Driver Strength Selection	<1057>	0: 1X 1: 2X
PIN 4 Pull Up/Down Resistor Selection	<1058>	0: Pull Down Resistor 1: Pull Up Resistor
PIN 4 Pull Up/Down Resistor Value Selection	<1060:1059>	00: Floating 01: 10 kΩ Resistor 10: 100 kΩ Resistor 11: 1 MΩ Resistor
PIN 4 Mode Control	<1063:1061>	000: Digital Input without Schmitt Trigger 001: Digital Input with Schmitt Trigger 010: Low Voltage Digital Input 011: Analog Input/Output 100: Push Pull 101: Open Drain NMOS 110: Open Drain PMOS 111: Analog Input & Open Drain



## 7.4.2 PIN 5 Register Settings

Table 18. PIN 5 Register Settings

Signal Function	Register Bit Address	Register Definition
PIN 5 Pull Up/Down Resistor Selection	<1065>	0: Pull Down Resistor 1: Pull Up Resistor
PIN 5 Pull Up/Down Resistor Value Selection	<1067:1066>	00: Floating 01: 10 k $\Omega$ Resistor 10: 100 k $\Omega$ Resistor 11: 1 M $\Omega$ Resistor
PIN 5 Mode Control (sig_pin5_oe =0)	<1069:1068>	00: Digital Input without Schmitt Trigger 01: Digital Input with Schmitt Trigger 10: Low Voltage Digital Input 11: Analog Input/Output
PIN 5 Mode Control (sig_pin5_oe =1)	<1071:1070>	00: Push Pull 1X 01: Push Pull 2X 10: Open Drain NMOS 1X 11: Open Drain NMOS 2X



### 7.4.3 PIN 6 Register Settings

Table 19. PIN 6 Register Settings

Signal Function	Register Bit Address	Register Definition
PIN 6 Driver Strength Selection	<1073>	0: 1X 1: 2X
Select SCL & Virtual Input 0 or PIN6	<1074>	0: SCL & Virtual Input 0 1: PIN6
PIN 6 Pull Down Resistor Value Selection	<1076:1075>	00: Floating 01: 10 kΩ Resistor 10: 100 kΩ Resistor 11: 1 MΩ Resistor
PIN 6 Mode Control	<1079:1077>	000: Digital Input without Schmitt Trigger 001: Digital Input with Schmitt Trigger 010: Low Voltage Digital Input 011: Reserved 100: Reserved 101: Open Drain NMOS 110: Reserved 111: Reserved

### 7.4.4 PIN 7 Register Settings

Table 20. PIN 7 Register Settings

Signal Function	Register Bit Address	Register Definition
PIN 7 (or SDA) Driver Strength Selection	<1081>	0: 1X 1: 2X
Select SDA & Virtual Input 1 or PIN7	<1082>	0: SDA & Virtual Input 1 1: PIN7
PIN 7 Pull Down Resistor Value Selection	<1084:1083>	00: Floating 01: 10 kΩ Resistor 10: 100 kΩ Resistor 11: 1 MΩ Resistor
PIN7(or SDA) Mode Control	<1087:1085>	000: Digital Input without Schmitt Trigger 001: Digital Input with Schmitt Trigger 010: Low Voltage Digital Input 011: Reserved 100: Reserved 101: Open Drain NMOS 110: Reserved 111: Reserved



### 7.4.5 PIN 8 Register Settings

Table 21. PIN 8 Register Settings

Signal Function	Register Bit Address	Register Definition
PIN 8 4X Drive (4X, NMOS Open Drain) Selection	<1088>	0: 4X Drive Off 1: 4X Drive On (sig_pin8_oe=1 & reg <1095:1094> = 1x)
PIN 8 Pull Up/Down Resistor Selection	<1089>	0: Pull Down Resistor 1: Pull Up Resistor
PIN 8 Pull Up/Down Resistor Value Selection	<1091:1090>	00: Floating 01: 10 kΩ Resistor 10: 100 kΩ Resistor 11: 1 MΩ Resistor
PIN 8 Mode Control (sig_pin8_oe =0)	<1093:1092>	00: Digital Input without Schmitt Trigger 01: Digital Input with Schmitt Trigger 10: Low Voltage Digital Input 11: Analog Input/Output
PIN 8 Mode Control (sig_pin8_oe =1)	<1095:1094>	00: Push Pull 1X 01: Push Pull 2X 10: Open Drain NMOS 1X 11: Open Drain NMOS 2X

### 7.4.6 PIN 10 Register Settings

Table 22. PIN 10 Register Settings

Signal Function	Register Bit Address	Register Definition
PIN 10 4X Drive (4X, NMOS Open Drain) Selection	<1096>	0: 4X Drive Off 1: 4X Drive On (reg <1095:1094> = 1x)
PIN 10 Driver Strength Selection	<1097>	0: 1X 1: 2X
PIN 10 Pull Up/Down Resistor Selection	<1098>	0: Pull Down Resistor 1: Pull Up Resistor
PIN 10 Pull Up/Down Resistor Value Selection	<1100:1099>	00: Floating 01: 10 kΩ Resistor 10: 100 kΩ Resistor 11: 1 MΩ Resistor
PIN 10 Mode Control	<1103:1101>	000: Digital Input without Schmitt Trigger 001: Digital Input with Schmitt Trigger 010: Low Voltage Digital Input 011: Analog Input/Output 100: Push Pull 101: Open Drain NMOS 110: Open Drain PMOS 111: Analog Input & Open Drain



## 7.4.7 PIN 11 Register Settings

Table 23. PIN 11 Register Settings

Signal Function	Register Bit Address	Register Definition
PIN 11 Pull Up/Down Resistor Selection	<1113>	0: Pull Down Resistor 1: Pull Up Resistor
PIN 11 Pull Up/Down Resistor Value Selection	<1115:1114>	00: Floating 01: 10 kΩ Resistor 10: 100 kΩ Resistor 11: 1 MΩ Resistor
PIN 11 Mode Control (sig_pin11_oe =0)	<1117:1116>	00: Digital Input without Schmitt Trigger 01: Digital Input with Schmitt Trigger 10: Low Voltage Digital Input 11: Reserved
PIN 11 Mode Control (sig_pin11_oe =1)	<1119:1118>	00: Push Pull 1X 01: Push Pull 2X 10: Reserved 11: Reserved

## 7.4.8 PIN 12 Register Settings

Table 24. PIN 12 Register Settings

Signal Function	Register Bit Address	Register Definition
PIN 12 Pull Up/Down Resistor Selection	<1129>	0: Pull Down Resistor 1: Pull Up Resistor
PIN 12 Pull Up/Down Resistor Value Selection	<1131:1130>	00: Floating 01: 10 kΩ Resistor 10: 100 kΩ Resistor 11: 1 MΩ Resistor
PIN 12 Mode Control (sig_pin12_oe =1)	<1135:1134>	00: Push Pull 1X 01: Push Pull 2X 10: Open Drain NMOS 1X 11: Open Drain NMOS 2X
PIN 12 Mode Control (sig_pin12_oe =0)	<1133:1132>	00: Digital Input without Schmitt Trigger 01: Digital Input with Schmitt Trigger 10: Low Voltage Digital Input 11: Reserved



### 7.4.9 PIN 13 Register Settings

Table 25. PIN 13 Register Settings

Signal Function	Register Bit Address	Register Definition
PIN 13 Driver Strength Selection	<1137>	0: 1X 1: 2X
PIN 13 Pull Up/Down Resistor Selection	<1138>	0: Pull Down Resistor 1: Pull Up Resistor
PIN 13 Pull Up/Down Resistor Value Selection	<1140:1139>	00: Floating 01: 10 kΩ Resistor 10: 100 kΩ Resistor 11: 1 MΩ Resistor
PIN 13 Mode Control	<1143:1141>	000: Digital Input without Schmitt Trigger 001: Digital Input with Schmitt Trigger 010: Low Voltage Digital Input 011: Reserved 100: Push Pull 101: Open Drain NMOS 110: Open Drain PMOS 111: Reserved

### 7.4.10 PIN 14 Register Settings

Table 26. PIN 14 Register Settings

Signal Function	Register Bit Address	Register Definition
PIN 14 Driver Strength Selection	<1161>	0: 1X 1: 2X
PIN 14 Pull Up/Down Resistor Selection	<1162>	0: Pull Down Resistor 1: Pull Up Resistor
PIN 14 Pull Up/Down Resistor Value Selection	<1164:1163>	00: Floating 01: 10 kΩ Resistor 10: 100 kΩ Resistor 11: 1 MΩ Resistor
PIN 14 Mode Control	<1167:1165>	000: Digital Input without Schmitt Trigger 001: Digital Input with Schmitt Trigger 010: Low Voltage Digital Input 011: Reserved 100: Push Pull 101: Open Drain NMOS 110: Open Drain PMOS 111: Reserved



## 7.5 GPI Structure

### 7.5.1 GPI Structure (for Pin 2)

Input Mode [1:0]  
00: Digital In without Schmitt Trigger, wosmt\_en=1, OE=0  
01: Digital In with Schmitt Trigger, smt\_en=1, OE=0  
10: Low Voltage Digital In mode, lv\_en = 1, OE=0  
11: Reserved

Note 1: OE cannot be selected by user  
Note 2: OE is Matrix output, Digital In is Matrix input

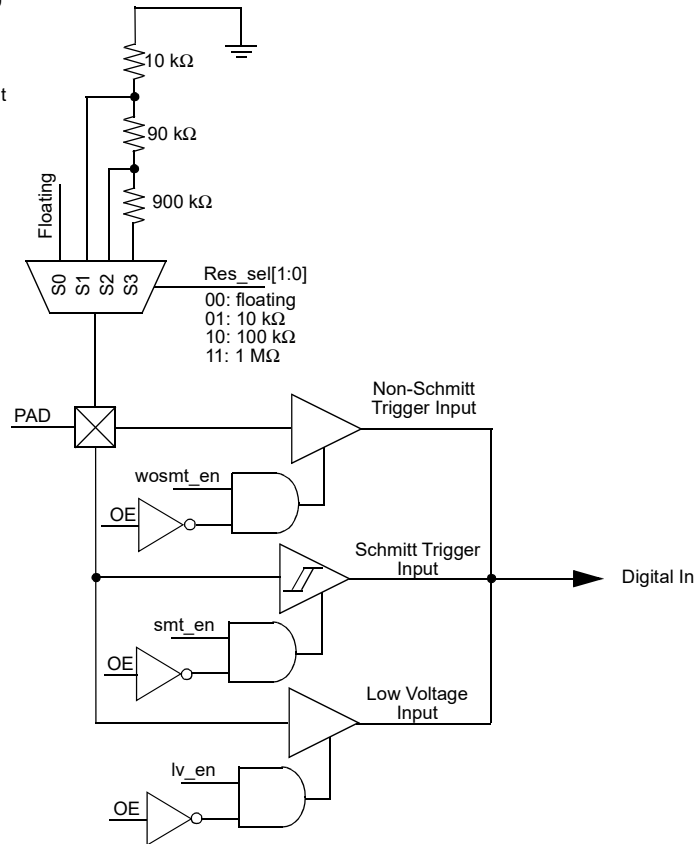


Figure 2. PIN 2 GPI Structure Diagram



## 7.6 Matrix OE IO Structure

### 7.6.1 Matrix OE IO Structure (for Pins 5, 11, 12)

Input Mode [1:0]  
 00: Digital In without Schmitt Trigger, *wosmt\_en*=1  
 01: Digital In with Schmitt Trigger, *smt\_en*=1  
 10: Low Voltage Digital In mode, *lv\_en* = 1  
 11: Analog IO mode

Output Mode [1:0]  
 00: 1x push-pull mode, *pp1x\_en*=1  
 01: 2x push-pull mode, *pp2x\_en*=1, *pp1x\_en*=1  
 10: 1x NMOS open drain mode, *od1x\_en*=1(except PIN11)  
 11: 2x NMOS open drain mode, *od2x\_en*=1, *od1x\_en*=1(except PIN11)

Note: Digital Out and OE are Matrix output, Digital In is Matrix input

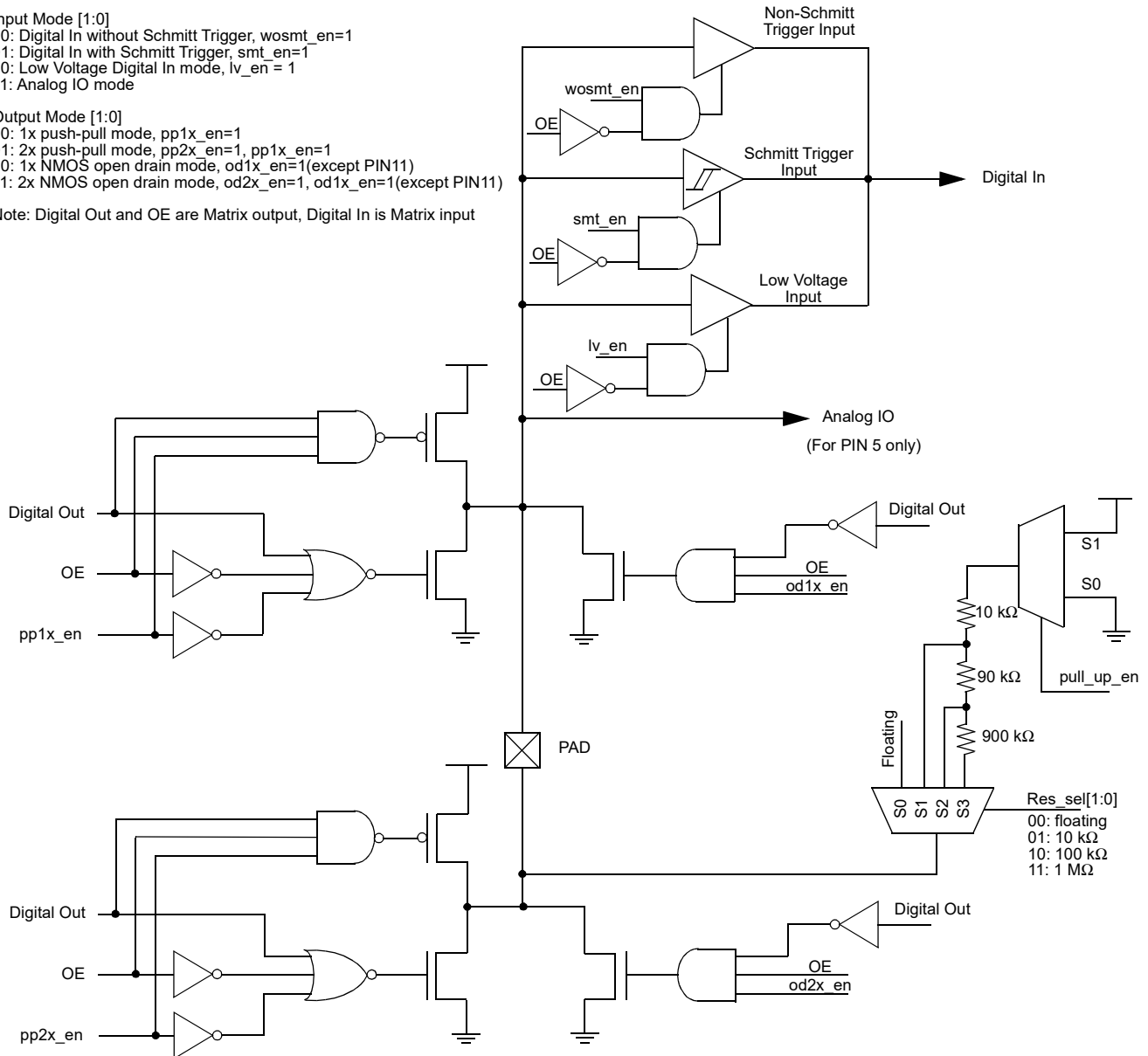


Figure 3. Matrix OE IO Structure Diagram





7.6.2 Matrix OE IO Structure (for Pins 6 and 7)

Pin 6, Pin 7 Mode [2:0]  
 000: Digital Input without Schmitt Trigger  
 001: Digital Input with Schmitt Trigger  
 010: Low Voltage Digital Input  
 011: Reserved  
 100: Reserved  
 101: Open Drain NMOS  
 110: Reserved  
 111: Reserved

Note: Digital Out and OE are Matrix output, Digital In is Matrix input

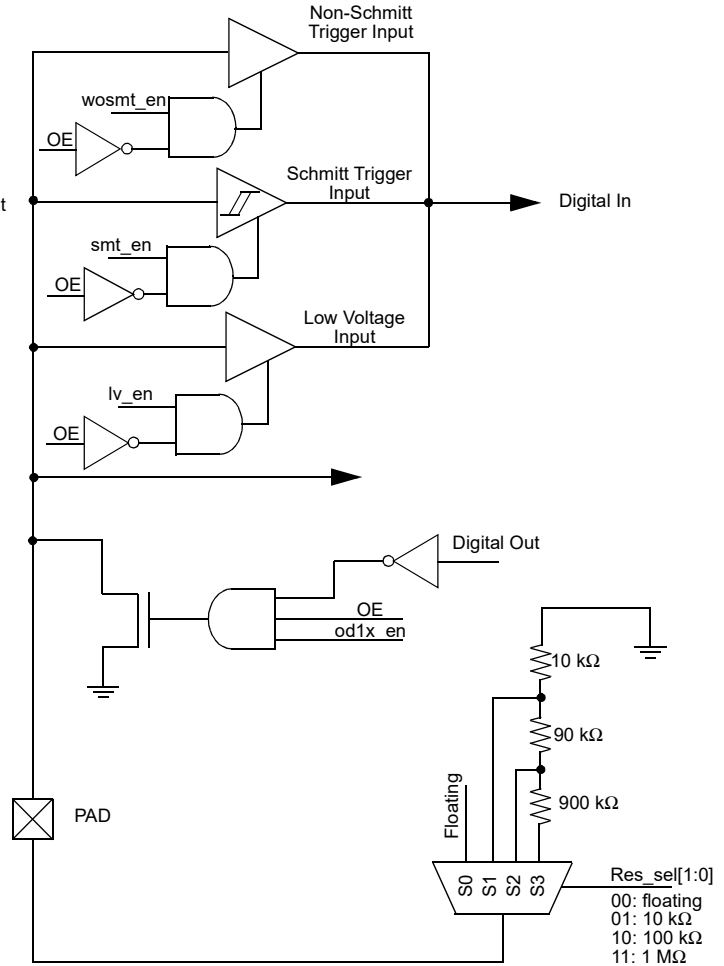


Figure 4. Matrix OE IO Structure Diagram



### 7.6.3 Matrix OE 4X Drive Structure (for Pin 8)

Input Mode [1:0]

- 00: Digital In without Schmitt Trigger, wosmt\_en=1
- 01: Digital In with Schmitt Trigger, smt\_en=1
- 10: Low Voltage Digital In mode, lv\_en=1
- 11: analog IO mode

Output Mode [1:0]

- 00: 1x push-pull mode, pp1x\_en=1
- 01: 2x push-pull mode, pp2x\_en=1, pp1x\_en=1
- 10: 1x NMOS open drain mode, od1x\_en=1, odn\_en=1
- 11: 2x NMOS open drain mode, od2x\_en=1, od1x\_en=1, odn\_en=1

Note: Digital Out and OE are Matrix output, Digital In is Matrix input

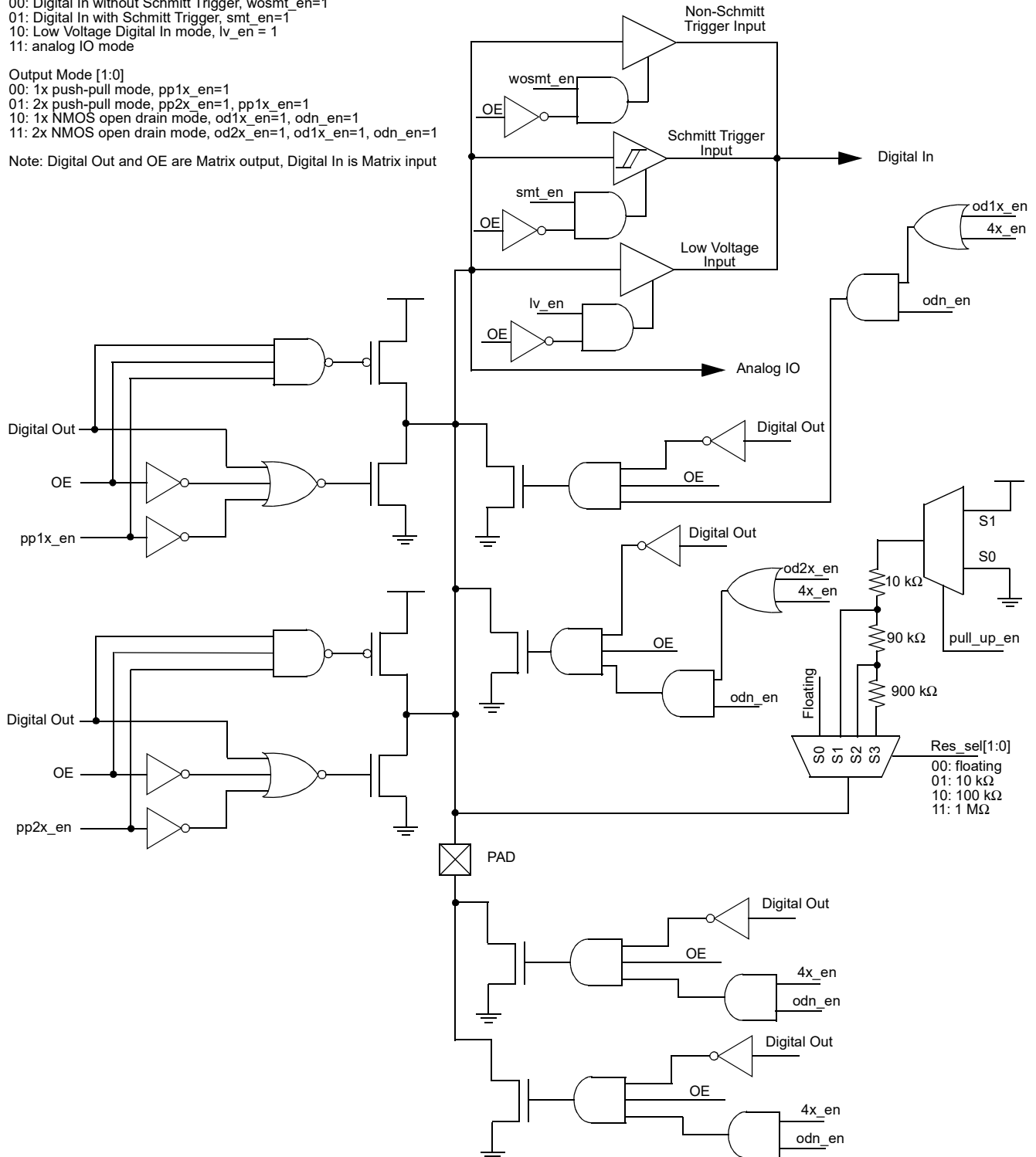


Figure 5. Matrix OE IO 4X Drive Structure Diagram



## 7.6.4 4X Drive Structure (for Pin 10)

Mode [2:0]  
 000: Digital In without Schmitt Trigger, wosmt\_en=1, OE = 0  
 001: Digital In with Schmitt Trigger, smt\_en=1, OE = 0  
 010: Low Voltage Digital In mode, lv\_en = 1, OE = 0  
 011: analog IO mode  
 100: push-pull mode, pp\_en=1, OE = 1  
 101: NMOS open drain mode, odn\_en=1, OE = 1  
 110: PMOS open drain mode, odp\_en=1, OE = 1  
 111: analog IO and NMOS open-drain mode, odn\_en=1 and AIO\_en=1

Note 1: OE cannot be selected by user  
 Note 2: Digital Out and OE are Matrix output, Digital In is Matrix input

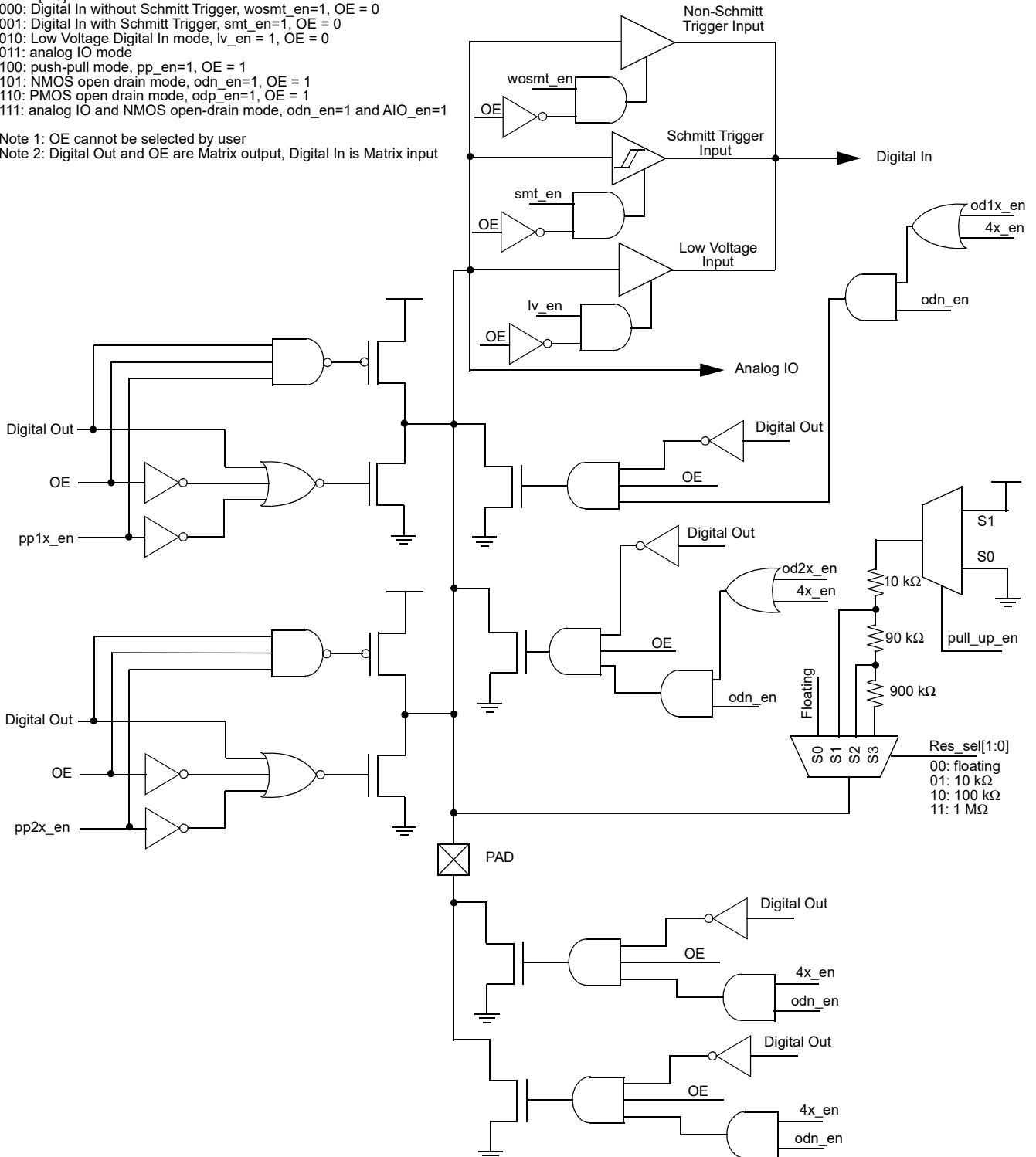


Figure 6. IO 4X Drive Structure Diagram



## 7.7 IO Structure

### 7.7.1 IO Structure (for Pins 3, 4, 13, 14)

- Mode [2:0]  
 000: Digital In without Schmitt Trigger, wosmt\_en=1, OE = 0  
 001: Digital In with Schmitt Trigger, smt\_en=1, OE = 0  
 010: Low Voltage Digital In mode, lv\_en = 1, OE = 0  
 011: analog IO mode  
 100: push-pull mode, pp\_en=1, OE = 1  
 101: NMOS open drain mode, odn\_en=1, OE = 1  
 110: PMOS open drain mode, odp\_en=1, OE = 1  
 111: analog IO and NMOS open-drain mode, odn\_en=1 and AIO\_en=1

Note: OE cannot be selected by user and is controlled by register

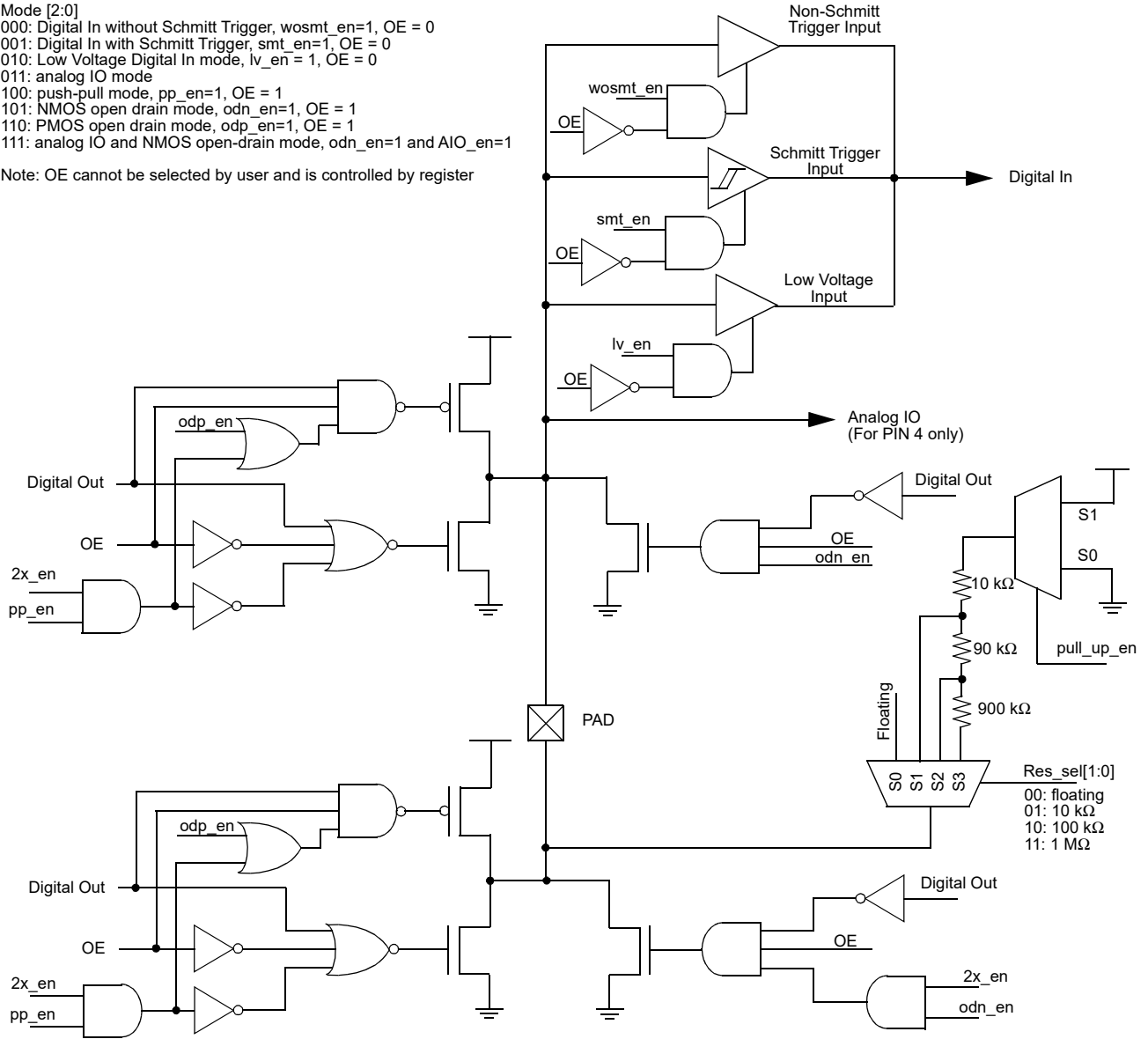


Figure 7. IO Structure Diagram



**8.0 Connection Matrix**

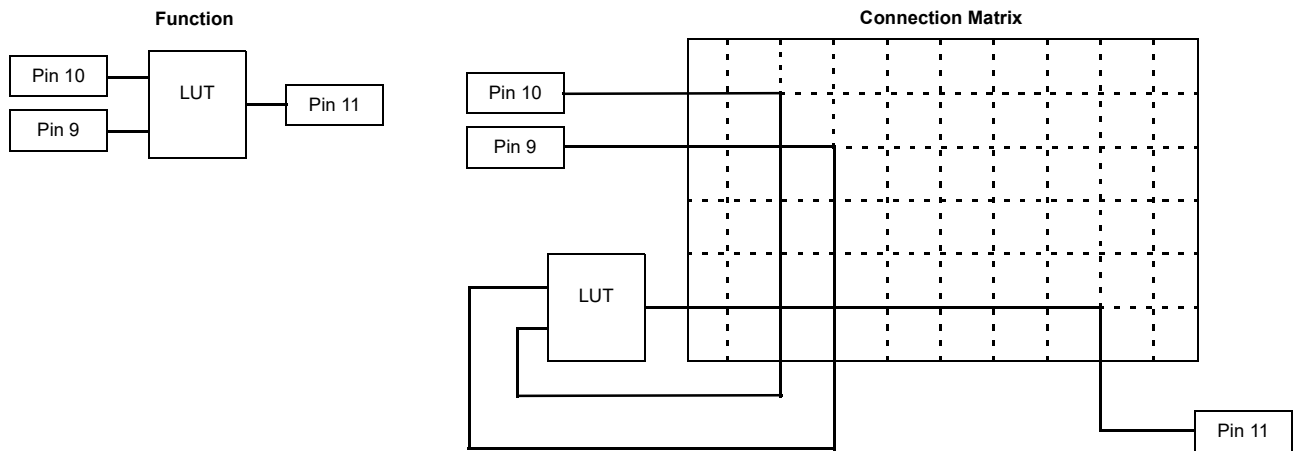
The Connection Matrix in the SLG46536 is used to create the internal routing for internal functional macrocells of the device once it is programmed. The registers are programmed from the one-time NVM cell during Test Mode Operation. The output of each functional macrocell within the SLG46536 has a specific digital bit code assigned to it that is either set to active “High” or inactive “Low” based on the design that is created. Once the 2048 register bits within the SLG46536 are programmed a fully custom circuit will be created.

The Connection Matrix has 64 inputs and 110 outputs. Each of the 64 inputs to the Connection Matrix is hard-wired to the digital output of a particular source macrocell, including I/O pins, LUTs, analog comparators, other digital resources and VDD and GND. The input to a digital macrocell uses a 6-bit register to select one of these 64 input lines.

For a complete list of the SLG46536’s register table, see Section 20.0 Appendix A - SLG46536 Register Definition.

Matrix Input Signal Functions	N				
GND	0				
Pin 2 Digital In	1				
Pin 3 Digital In	2				
Pin 4 Digital In	3				
⋮	⋮				
Resetb_core	62				
VDD	63				
<b>Matrix Inputs</b>	<b>N</b>	<b>0</b>	<b>1</b>	<b>2</b>	<b>109</b>
	<b>Registers</b>	reg<5:0>	reg<13:8>	reg<21:16>	reg<877:872>
<b>Matrix Outputs</b>	<b>Function</b>	Matrix OUT: IN0 of LUT3_11 or CLK Input of DFF8	Matrix OUT: IN1 of LUT3_11 or Data Input of DFF8	Matrix OUT: IN2 of LUT3_11 or RSTB (SETB) of DFF8	Matrix OUT: PD of XTAL Osc

**Figure 8. Connection Matrix**



**Figure 9. Connection Matrix Example**



**8.1 Matrix Input Table**

**Table 27. Matrix Input Table**

Matrix Input Number	Matrix Input Signal Function	Matrix Decode					
		5	4	3	2	1	0
0	GND	0	0	0	0	0	0
1	Pin2 Digital Input	0	0	0	0	0	1
2	Reserved	0	0	0	0	1	0
3	Pin3 Digital Input	0	0	0	0	1	1
4	Reserved	0	0	0	1	0	0
5	Pin4 Digital Input	0	0	0	1	0	1
6	Pin5 Digital Input	0	0	0	1	1	0
7	Pin8 Digital Input	0	0	0	1	1	1
8	LUT2_0 / DFF0 Output	0	0	1	0	0	0
9	LUT2_1 / DFF1 Output	0	0	1	0	0	1
10	LUT2_2 / DFF2 Output	0	0	1	0	1	0
11	LUT2_3 / PGEN Output	0	0	1	0	1	1
12	LUT3_0 / DFF3 (SET/RST) Output	0	0	1	1	0	0
13	LUT3_1 / DFF4 (SET/RST) Output	0	0	1	1	0	1
14	LUT3_2 / DFF5 (SET/RST) Output	0	0	1	1	1	0
15	LUT3_3 / DFF6 (SET/RST) Output	0	0	1	1	1	1
16	LUT3_4 / DFF7 (SET/RST) Output	0	1	0	0	0	0
17	LUT3_5 / CNT_DLY2(8bit) Output	0	1	0	0	0	1
18	LUT3_6 / CNT_DLY3(8bit) Output	0	1	0	0	1	0
19	LUT3_7 / CNT_DLY4(8bit) Output	0	1	0	0	1	1
20	LUT3_8 / CNT_DLY5(8bit) Output	0	1	0	1	0	0
21	LUT3_9 / CNT_DLY6(8bit) Output	0	1	0	1	0	1
22	LUT4_0 / CNT_DLY0(16bit) Output	0	1	0	1	1	0
23	LUT4_1 / CNT_DLY1(16bit) Output	0	1	0	1	1	1
24	LUT3_10 / Pipe Delay (1st stage) Output	0	1	1	0	0	0
25	Pipe Delay Output0	0	1	1	0	0	1
26	Pipe Delay Output1	0	1	1	0	1	0
27	Internal OSC Post-Divided by 1/2/3/4/8/12/24/64 Output (25KHz/2MHz)	0	1	1	0	1	1
28	Internal OSC Post-Divided by 1/2/3/4/8/12/24/64 Output (25KHz/2MHz)	0	1	1	1	0	0
29	Internal OSC Pre-Divided by 1/2/4/8 Output (25 MHz)	0	1	1	1	0	1
30	Filter0 / Edge Detect0 Output	0	1	1	1	1	0
31	Filter1 / Edge Detect1 Output	0	1	1	1	1	1
32	Pin6 Digital or I2C_virtual_0 Input	1	0	0	0	0	0
33	Pin7 Digital or I2C_virtual_1 Input	1	0	0	0	0	1
34	I2C_virtual_2 Input	1	0	0	0	1	0
35	I2C_virtual_3 Input	1	0	0	0	1	1



Table 27. Matrix Input Table

Matrix Input Number	Matrix Input Signal Function	Matrix Decode					
		5	4	3	2	1	0
36	I2C_virtual_4 Input	1	0	0	1	0	0
37	I2C_virtual_5 Input	1	0	0	1	0	1
38	I2C_virtual_6 Input	1	0	0	1	1	0
39	I2C_virtual_7 Input	1	0	0	1	1	1
40	LUT3_11 / DFF8 (SET/RST) Output	1	0	1	0	0	0
41	LUT3_12 / DFF9 (SET/RST) Output	1	0	1	0	0	1
42	LUT3_13 / DFF10 (SET/RST) Output	1	0	1	0	1	0
43	LUT3_14 / DFF11 (SET/RST) Output	1	0	1	0	1	1
44	LUT3_15 / DFF12 (SET/RST) Output	1	0	1	1	0	0
45	LUT3_16 / DFF13 (SET/RST) Output	1	0	1	1	0	1
46	LUT3_17 / DFF14 (SET/RST) Output	1	0	1	1	1	0
47	LUT4_2 Output	1	0	1	1	1	1
48	Pin10 Digital Input	1	1	0	0	0	0
49	Reserved	1	1	0	0	0	1
50	Pin11 Digital Input	1	1	0	0	1	0
51	Reserved	1	1	0	0	1	1
52	Pin12 Digital Input	1	1	0	1	0	0
53	Pin13 Digital Input	1	1	0	1	0	1
54	Reserved	1	1	0	1	1	0
55	Reserved	1	1	0	1	1	1
56	Pin14 Digital Input	1	1	1	0	0	0
57	ACMP_0 Output	1	1	1	0	0	1
58	ACMP_1 Output	1	1	1	0	1	0
59	ACMP_2 Output	1	1	1	0	1	1
60	Reserved	1	1	1	1	0	0
61	Programmable Delay with Edge Detector Output	1	1	1	1	0	1
62	Resetb_core (POR) as matrix input	1	1	1	1	1	0
63	VDD	1	1	1	1	1	1



## 8.2 Matrix Output Table

Table 28. Matrix Output Table

Register Bit Address	Matrix Output Signal Function Note: For each Address, the two most significant bits are unused)	Matrix Output Number
reg <7:0>	Matrix OUT: IN0 of LUT3_11 or Clock Input of DFF8	0
reg <15:8>	Matrix OUT: IN1 of LUT3_11 or Data Input of DFF8	1
reg <23:16>	Matrix OUT: IN2 of LUT3_11 or RSTB (SETB) of DFF8	2
reg <31:24>	Matrix OUT: IN0 of LUT3_12 or Clock Input of DFF9	3
reg <39:32>	Matrix OUT: IN1 of LUT3_12 or Data Input of DFF9	4
reg <47:40>	Matrix OUT: IN2 of LUT3_12 or RSTB (SETB) of DFF9	5
reg <55:48>	Matrix OUT: IN0 of LUT3_13 or Clock Input of DFF10	6
reg <63:56>	Matrix OUT: IN1 of LUT3_13 or Data Input of DFF10	7
reg <71:64>	Matrix OUT: IN2 of LUT3_13 or RSTB (SETB) of DFF10	8
reg <79:72>	Matrix OUT: IN0 of LUT3_14 or Clock Input of DFF11	9
reg <87:80>	Matrix OUT: IN1 of LUT3_14 or Data Input of DFF11	10
reg <95:88>	Matrix OUT: IN2 of LUT3_14 or RSTB (SETB) of DFF11	11
reg <103:96>	Matrix OUT: IN0 of LUT3_15 or Clock Input of DFF12	12
reg <111:104>	Matrix OUT: IN1 of LUT3_15 or Data Input of DFF12	13
reg <119:112>	Matrix OUT: IN2 of LUT3_15 or RSTB (SETB) of DFF12	14
reg <127:120>	Matrix OUT: IN0 of LUT3_16 or Clock Input of DFF13	15
reg <135:128>	Matrix OUT: IN1 of LUT3_16 or Data Input of DFF13	16
reg <143:136>	Matrix OUT: IN2 of LUT3_16 or RSTB (SETB) of DFF13	17
reg <151:144>	Matrix OUT: IN0 of LUT3_17 or Clock Input of DFF14	18
reg <159:152>	Matrix OUT: IN1 of LUT3_17 or Data Input of DFF14	19
reg <167:160>	Matrix OUT: IN2 of LUT3_17 or RSTB (SETB) of DFF14	20
reg <175:168>	Matrix OUT: IN0 of LUT4_2	21
reg <183:176>	Matrix OUT: IN1 of LUT4_2	22
reg <191:184>	Matrix OUT: IN2 of LUT4_2	23
reg <199:192>	Matrix OUT: IN3 of LUT4_2	24
reg <207:200>	Reserved	25
reg <215:208>	Reserved	26
reg <223:216>	Matrix OUT: PIN3 Digital Output Source	27
reg <231:224>	Reserved	28
reg <239:232>	Reserved	29
reg <247:240>	Matrix OUT: PIN4 Digital Output Source	30
reg <255:248>	Matrix OUT: PIN5 Digital Output Source	31
reg <263:256>	Matrix OUT: PIN5 Output Enable	32
reg <271:264>	Matrix OUT: PIN6 Digital Output Source (SCL with VI/Input & NMOS open-drain)	33
reg <279:272>	Matrix OUT: PIN7 Digital Output Source (SDA with VI/Input & NMOS open-drain)	34
reg <287:280>	Matrix OUT: PIN8 Digital Output Source	35
reg <295:288>	Matrix OUT: PIN8 Output Enable	36
reg <303:296>	Matrix OUT: PIN10 Digital Output Source	37



**Table 28. Matrix Output Table**

Register Bit Address	Matrix Output Signal Function Note: For each Address, the two most significant bits are unused)	Matrix Output Number
reg <311:304>	Reserved	38
reg <319:312>	Reserved	39
reg <327:320>	Matrix OUT: PIN11 Digital Output Source	40
reg <335:328>	Matrix OUT: PIN11 Output Enable	41
reg <343:336>	Reserved	42
reg <351:344>	Matrix OUT: PIN12 Digital Output Source	43
reg <359:352>	Matrix OUT: PIN12 Output Enable	44
reg <367:360>	Matrix OUT: PIN13 Digital Output Source	45
reg <375:368>	Reserved	46
reg <383:376>	Reserved	47
reg <391:384>	Reserved	48
reg <399:392>	Reserved	49
reg <407:400>	Matrix OUT: PIN14 Digital Output Source	50
reg <415:408>	Matrix OUT: ACMP0 PDB (Power Down)	51
reg <423:416>	Matrix OUT: ACMP1 PDB (Power Down)	52
reg <431:424>	Matrix OUT: ACMP2 PDB (Power Down)	53
reg <439:432>	Reserved	54
reg <447:440>	Matrix OUT: Input of Filter_0 with fixed time edge detector	55
reg <455:448>	Matrix OUT: Input of Filter_1 with fixed time edge detector	56
reg <463:456>	Matrix OUT: Input of Programmable Delay & Edge Detector	57
reg <471:464>	Matrix OUT: OSC 25 KHz/2 MHz PDB (Power Down)	58
reg <479:472>	Matrix OUT: OSC 25 MHz PDB (Power Down)	59
reg <487:480>	Matrix OUT: IN0 of LUT2_0 or Clock Input of DFF0	60
reg <495:488>	Matrix OUT: IN1 of LUT2_0 or Data Input of DFF0	61
reg <503:496>	Matrix OUT: IN0 of LUT2_1 or Clock Input of DFF1	62
reg <511:504>	Matrix OUT: IN1 of LUT2_1 or Data Input of DFF1	63
reg <519:512>	Matrix OUT: IN0 of LUT2_2 or Clock Input of DFF2	64
reg <527:520>	Matrix OUT: IN1 of LUT2_2 or Data Input of DFF2	65
reg <535:528>	Matrix OUT: IN0 of LUT2_3 or Clock Input of PGEN	66
reg <543:536>	Matrix OUT: IN1 of LUT2_3 or RSTB of PGEN	67
reg <551:544>	Matrix OUT: IN0 of LUT3_0 or Clock Input of DFF3	68
reg <559:552>	Matrix OUT: IN1 of LUT3_0 or Data Input of DFF3	69
reg <567:560>	Matrix OUT: IN2 of LUT3_0 or RSTB (SETB) of DFF3	70
reg <575:568>	Matrix OUT: IN0 of LUT3_1 or Clock Input of DFF4	71
reg <583:576>	Matrix OUT: IN1 of LUT3_1 or Data Input of DFF4	72
reg <591:584>	Matrix OUT: IN2 of LUT3_1 or RSTB (SETB) of DFF4	73
reg <599:592>	Matrix OUT: IN0 of LUT3_2 or Clock Input of DFF5	74
reg <607:600>	Matrix OUT: IN1 of LUT3_2 or Data Input of DFF5	75
reg <615:608>	Matrix OUT: IN2 of LUT3_2 or RSTB (SETB) of DFF5	76

**Table 28. Matrix Output Table**

Register Bit Address	Matrix Output Signal Function Note: For each Address, the two most significant bits are unused)	Matrix Output Number
reg <623:616>	Matrix OUT: IN0 of LUT3_3 or Clock Input of DFF6	77
reg <631:624>	Matrix OUT: IN1 of LUT3_3 or Data Input of DFF6	78
reg <639:632>	Matrix OUT: IN2 of LUT3_3 or RSTB (SETB) of DFF6	79
reg <647:640>	Matrix OUT: IN0 of LUT3_4 or Clock Input of DFF7	80
reg <655:648>	Matrix OUT: IN1 of LUT3_4 or Data Input of DFF7	81
reg <663:656>	Matrix OUT: IN2 of LUT3_4 or RSTB (SETB) of DFF7	82
reg <671:664>	Matrix OUT: IN0 of LUT3_5 or Delay2 Input (or Counter2 RST Input)	83
reg <679:672>	Matrix OUT: IN1 of LUT3_5 or External Clock Input of Delay2 (or Counter2)	84
reg <687:680>	Matrix OUT: IN2 of LUT3_5	85
reg <695:688>	Matrix OUT: IN0 of LUT3_6 or Delay3 Input (or Counter3 RST Input)	86
reg <703:696>	Matrix OUT: IN1 of LUT3_6 or External Clock Input of Delay3 (or Counter3)	87
reg <711:704>	Matrix OUT: IN2 of LUT3_6	88
reg <719:712>	Matrix OUT: IN0 of LUT3_7 or Delay4 Input (or Counter4 RST Input)	89
reg <727:720>	Matrix OUT: IN1 of LUT3_7 or External Clock Input of Delay4 (or Counter4)	90
reg <735:728>	Matrix OUT: IN2 of LUT3_7	91
reg <743:736>	Matrix OUT: IN0 of LUT3_8 or Delay5 Input (or Counter5 RST Input)	92
reg <751:744>	Matrix OUT: IN1 of LUT3_8 or External Clock Input of Delay5 (or Counter5)	93
reg <759:752>	Matrix OUT: IN2 of LUT3_8	94
reg <767:760>	Matrix OUT: IN0 of LUT3_9 or Delay6 Input (or Counter6 RST Input)	95
reg <775:768>	Matrix OUT: IN1 of LUT3_9 or External Clock Input of Delay6 (or Counter6)	96
reg <783:776>	Matrix OUT: IN2 of LUT3_9	97
reg <791:784>	Matrix OUT: IN0 of LUT3_10 or Input of Pipe Delay	98
reg <799:792>	Matrix OUT: IN1 of LUT3_10 or RSTB of Pipe Delay	99
reg <807:800>	Matrix OUT: IN2 of LUT3_10 or Clock of Pipe Delay	100
reg <815:808>	Matrix OUT: IN0 of LUT4_0 or Delay0 Input (or Counter0 RST/SET Input)	101
reg <823:816>	Matrix OUT: IN1 of LUT4_0 or External Clock Input of Delay0 (or Counter0)	102
reg <831:824>	Matrix OUT: IN2 of LUT4_0 or UP Input of FSM0	103
reg <839:832>	Matrix OUT: IN3 of LUT4_0 or KEEP Input of FSM0	104
reg <847:840>	Matrix OUT: IN0 of LUT4_1 or Delay1 Input (or Counter1 RST/SET Input)	105
reg <855:848>	Matrix OUT: IN1 of LUT4_1 or External Clock Input of Delay1 (or Counter1)	106
reg <863:856>	Matrix OUT: IN2 of LUT4_1 or UP Input of FSM1	107
reg <871:864>	Matrix OUT: IN3 of LUT4_1 or KEEP Input of FSM1	108
reg <879:872>	Matrix OUT: PD of crystal oscillator by reg<1268>	109



### 8.3 Connection Matrix Virtual Inputs

As mentioned previously, the Connection Matrix inputs come from the outputs of various digital macrocells on the device. Eight of the Connection Matrix inputs have the special characteristic that the state of these signal lines comes from a corresponding data bit written as a register value via I<sup>2</sup>C. This gives the user the ability to write data via the serial channel, and have this information translated into signals that can be driven into the Connection Matrix and from the Connection Matrix to the digital inputs of other macrocells on the device. The I<sup>2</sup>C address for reading and writing these register values is at byte 0244.

Six of the eight Connection Matrix Virtual Inputs are dedicated to this virtual input function. An I<sup>2</sup>C write command to these register bits will set the signal values going into the Connection Matrix to the desired state. A read command to these register bits will read either the original data values coming from the NVM memory bits (that were loaded during the initial device startup), or the values from a previous write command (if that has happened).

Two of the eight Connection Matrix Virtual Inputs are shared with Pin digital inputs, (Pin8 Digital or I2C\_virtual\_0 Input) and (Pin9 Digital or I2C\_virtual\_1 Input). If the virtual input mode is selected, an I<sup>2</sup>C write command to these register bits will set the signal values going into the Connection Matrix to the desired state. A read command to these register bits will read either the original data values coming from the NVM memory bits (that were loaded during the initial device startup), or the values from a previous write command (if that has happened). Two register bits select whether the Connection Matrix input comes from the pin input or from the virtual register:

- reg <1074> Select SCL & Virtual Input 0 or PIN6
- reg <1082> Select SDA & Virtual Input 1 or PIN7

See table below for Connection Matrix Virtual Inputs.

Matrix Input Number	Matrix Input Signal Function	Register Bit Addresses (d)
32	I2C_virtual_0 Input	reg<1952>
33	I2C_virtual_1 Input	reg<1953>
34	I2C_virtual_2 Input	reg<1954>
35	I2C_virtual_3 Input	reg<1955>
36	I2C_virtual_4 Input	reg<1956>
37	I2C_virtual_5 Input	reg<1957>
38	I2C_virtual_6 Input	reg<1958>
39	I2C_virtual_7 Input	reg<1959>

### 8.4 Connection Matrix Virtual Outputs

The digital outputs of the various macrocells are routed to the Connection Matrix to enable interconnections to the inputs of other macrocells in the device. At the same time, it is possible to read the state of each of the macrocell outputs as a register value via I<sup>2</sup>C. This option, called Connection Matrix Virtual Outputs, allows the user to remotely read the values of each macrocell output. The I<sup>2</sup>C addresses for reading these register values are at bytes 0240 to 0247. Write commands to these same register values will be ignored (with the exception of the Virtual Input register bits at byte 0244).



### 9.0 Combination Function Macrocells

The SLG46536 has twenty-four combination function macrocells that can serve more than one logic or timing function. In each case, they can serve as a Look Up Table (LUT), or as another logic or timing function. See the list below for the functions that can be implemented in these macrocells:

- Three macrocells that can serve as either 2-bit LUTs or as D Flip Flops;
- Twelve macrocells that can serve as either 3-bit LUTs or as D Flip Flops with Set/Reset Input;
- One macrocell that can serve as either 3-bit LUT or as Pipe Delay;
- One macrocell that can serve as either 2-bit LUT or as Programmable Pattern Generator (PGEN);
- Five macrocells that can serve as either 3-bit LUTs or as 8-Bit Counter / Delays;
- Two macrocells that can serve as either 4-bit LUTs or as 16-Bit Counter / Delays.

Inputs/Outputs for the 24 combination function macrocells are configured from the connection matrix with specific logic functions being defined by the state of NVM bits.

When used as a LUT to implement combinatorial logic functions, the outputs of the LUTs can be configured to any user defined function, including the following standard digital logic devices (AND, NAND, OR, NOR, XOR, XNOR).

#### 9.1 2-Bit LUT or D Flip Flop Macrocells

There are three macrocells that can serve as either 2-bit LUTs or as D Flip Flops. When used to implement LUT functions, the 2-bit LUTs each take in two input signals from the connection matrix and produce a single output, which goes back into the connection matrix. When used to implement D Flip Flop function, the two input signals from the connection matrix go to the data (D) and clock (clk) inputs for the Flip Flop, with the output going back to the connection matrix.

The operation of the D Flip-Flop and Latch will follow the functional descriptions below:

DFF: CLK is rising edge triggered, then Q = D; otherwise Q will not change.

Latch: when CLK is Low, then Q = D; otherwise Q remains its previous value (input D has no effect on the output, when CLK is High)

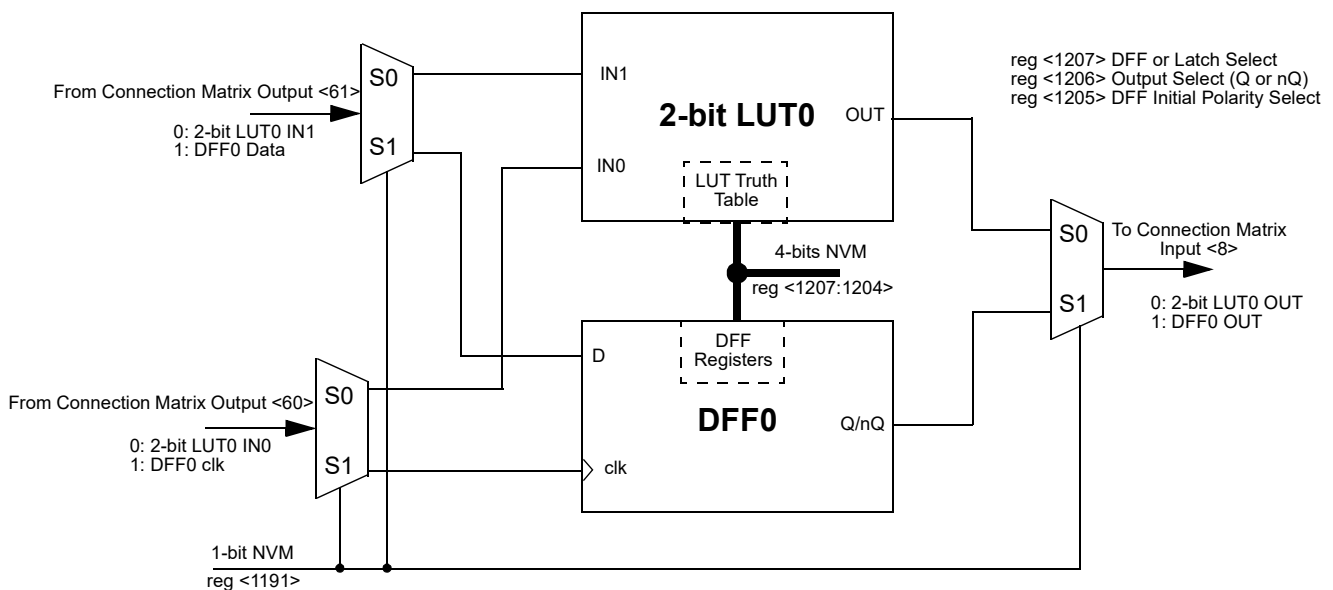


Figure 10. 2-bit LUT0 or DFF0

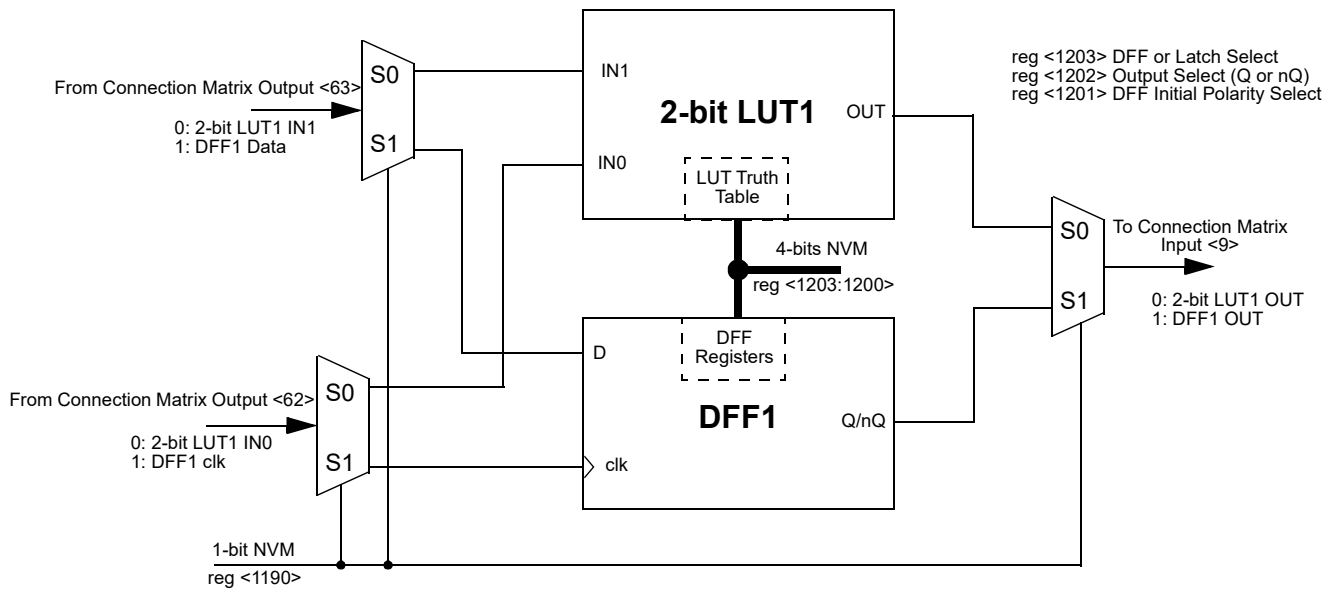


Figure 11. 2-bit LUT1 or DFF1

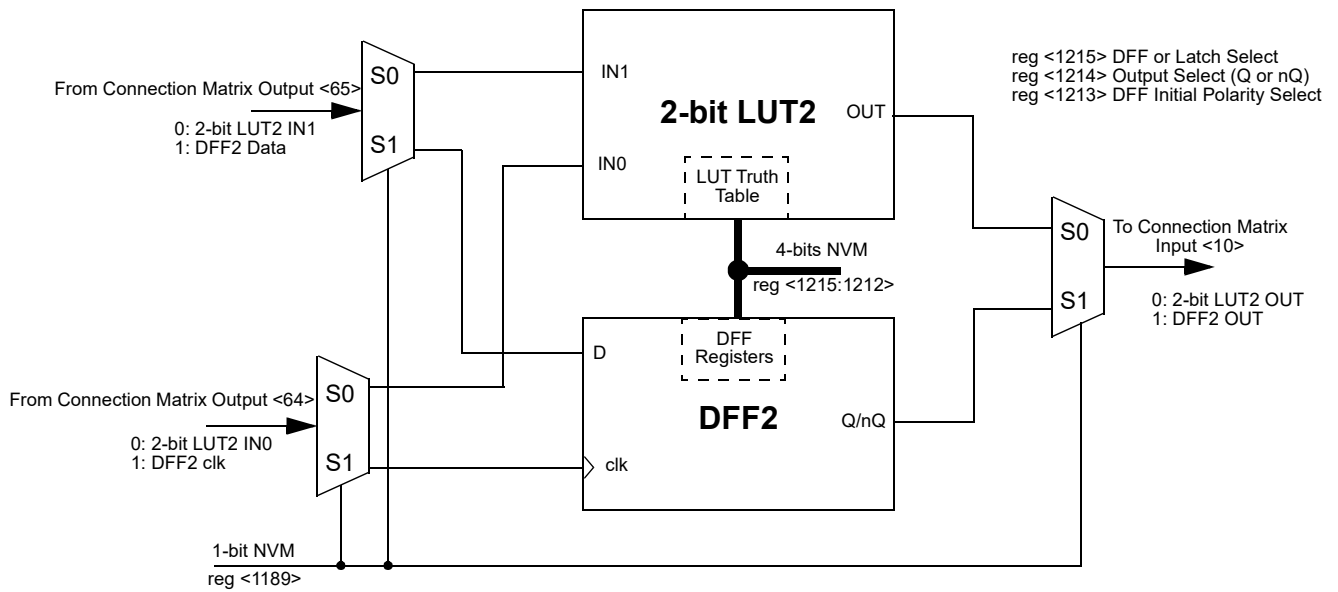


Figure 12. 2-bit LUT2 or DFF2



## 9.1.1 2-Bit LUT or D Flip Flop Macrocells Used as 2-Bit LUTs

**Table 29. 2-bit LUT0 Truth Table**

IN1	IN0	OUT	
0	0	reg <1204>	LSB
0	1	reg <1205>	
1	0	reg <1206>	
1	1	reg <1207>	MSB

**Table 31. 2-bit LUT2 Truth Table**

IN1	IN0	OUT	
0	0	reg <1212>	LSB
0	1	reg <1213>	
1	0	reg <1214>	
1	1	reg <1215>	MSB

**Table 30. 2-bit LUT1 Truth Table**

IN1	IN0	OUT	
0	0	reg <1200>	LSB
0	1	reg <1201>	
1	0	reg <1202>	
1	1	reg <1203>	MSB

Each Macrocell, when programmed for a LUT function, uses a 4-bit register to define their output function:

*2-Bit LUT0 is defined by reg<1207:1204>*

*2-Bit LUT1 is defined by reg<1203:1200>*

*2-Bit LUT2 is defined by reg<1215:1212>*

The table below shows the register bits for the standard digital logic devices (AND, NAND, OR, NOR, XOR, XNOR) that can be created within each of the two 2-bit LUT logic cells.

**Table 32. 2-bit LUT Standard Digital Functions**

Function	MSB			LSB
AND-2	1	0	0	0
NAND-2	0	1	1	1
OR-2	1	1	1	0
NOR-2	0	0	0	1
XOR-2	0	1	1	0
XNOR-2	1	0	0	1



## 9.1.2 2-Bit LUT or D Flip Flop Macrocells Used as D Flip Flop Register Settings

**Table 33. DFF0 Register Settings**

Signal Function	Register Bit Address	Register Definition
LUT2_0 or DFF0 Select	<1191>	0: LUT2_0 1: DFF0
DFF0 Initial Polarity Select	<1205>	0: Low 1: High
DFF0 Output Select	<1206>	0: Q output 1: nQ output
DFF0 or Latch Select	<1207>	0: DFF function 1: Latch function

**Table 34. DFF1 Register Settings**

Signal Function	Register Bit Address	Register Definition
LUT2_1 or DFF1 Select	<1190>	0: LUT2_1 1: DFF1
DFF1 Initial Polarity Select	<1201>	0: Low 1: High
DFF1 Output Select	<1202>	0: Q output 1: nQ output
Select or Latch select	<1203>	0: DFF function 1: Latch function

**Table 35. DFF2 Register Settings**

Signal Function	Register Bit Address	Register Definition
LUT2_2 or DFF2 Select	<1189>	0: LUT2_2 1: DFF2
DFF2 Initial Polarity Select	<1213>	0: Low 1: High
DFF2 Output Select	<1214>	0: Q output 1: nQ output
DFF2 or Latch Select	<1215>	0: DFF function 1: Latch function



### 9.2 3-Bit LUT or D Flip Flop with Set/Reset Macrocells

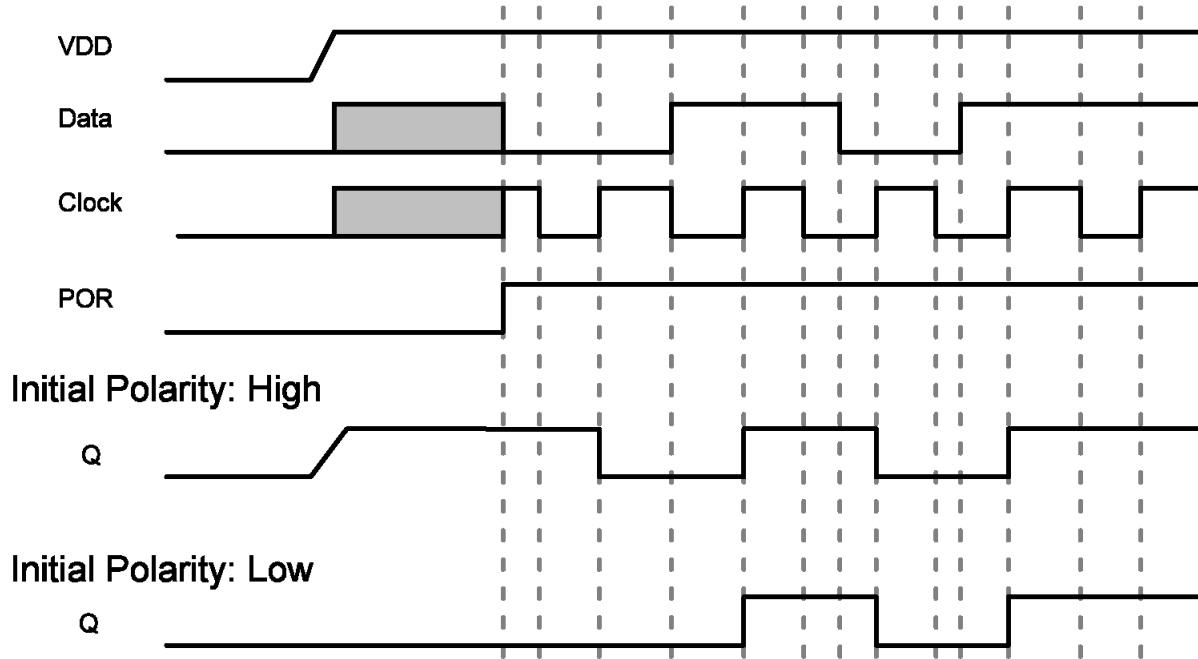


Figure 13. DFF Polarity Operations

There are twelve macrocells that can serve as either 3-bit LUTs or as D Flip Flops with Set/Reset inputs. When used to implement LUT functions, the 3-bit LUTs each take in three input signals from the connection matrix and produce a single output, which goes back into the connection matrix. When used to implement D Flip Flop function, the three input signals from the connection matrix go to the data (D) and clock (clk) and Set/Reset (nRST/nSET) inputs for the Flip Flop, with the output going back to the connection matrix.

DFF3 is a selectable continuous DFF latch, it has an option that allows the macrocell output to either come from the Q/nQ output of one D Flip Flop, or two D Flip Flops in series, with the first D Flip Flop triggering on the rising clock edge, and the second D Flip Flop triggering on the falling clock edge.



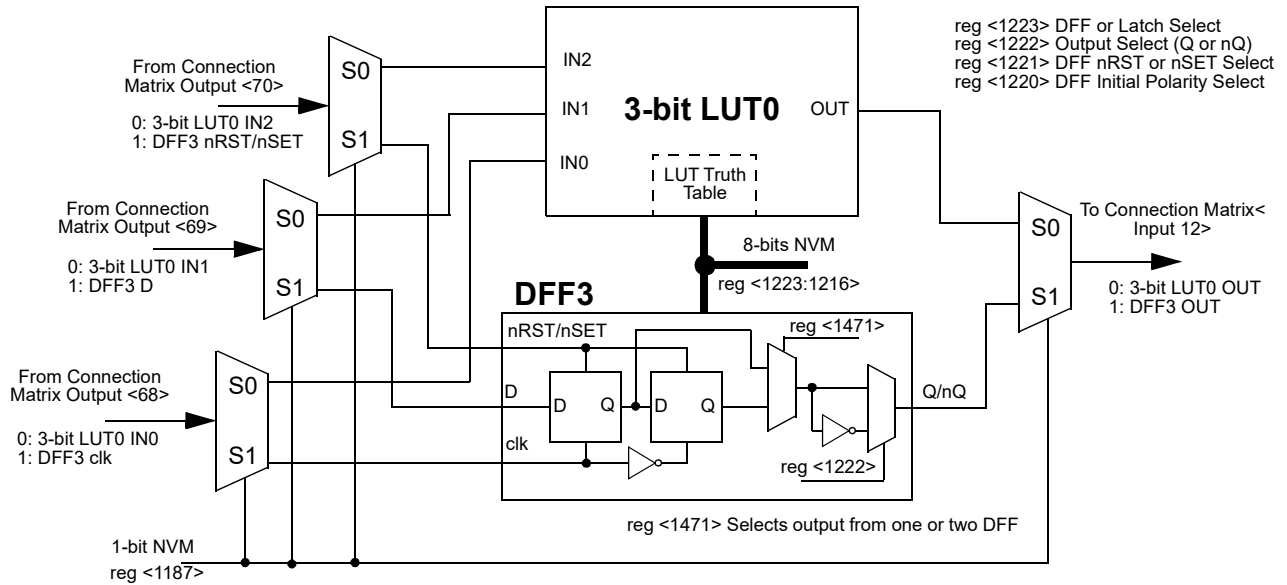


Figure 14. 3-bit LUT0 or DFF3 with RST/SET

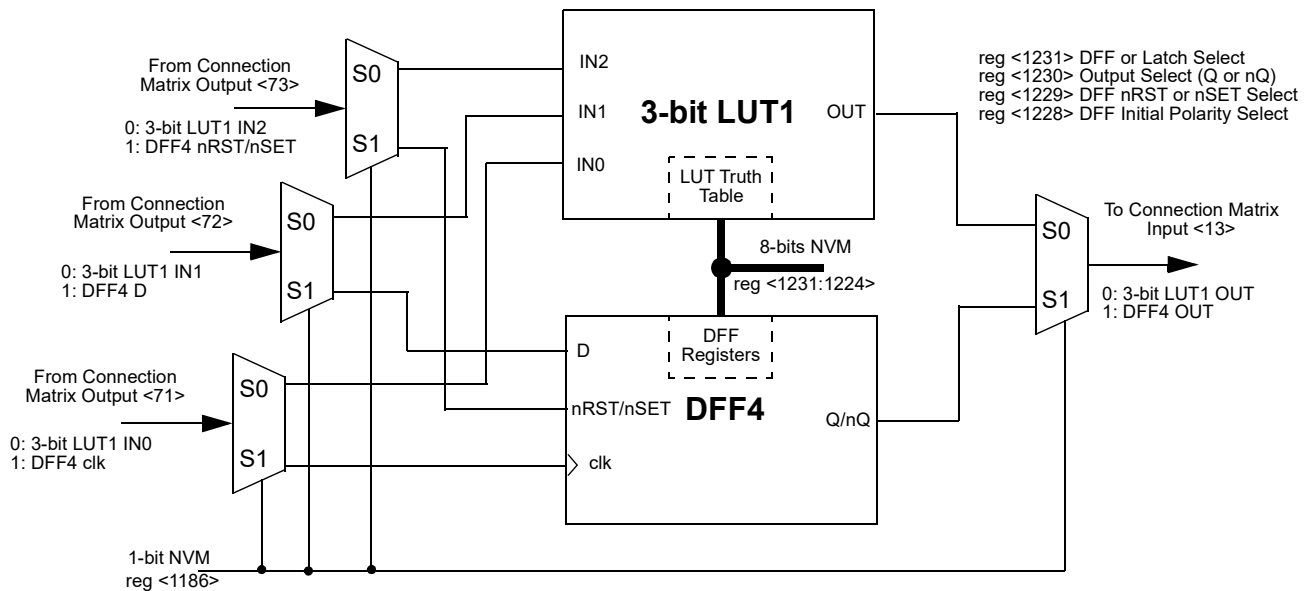


Figure 15. 3-bit LUT1 or DFF4 with RST/SET

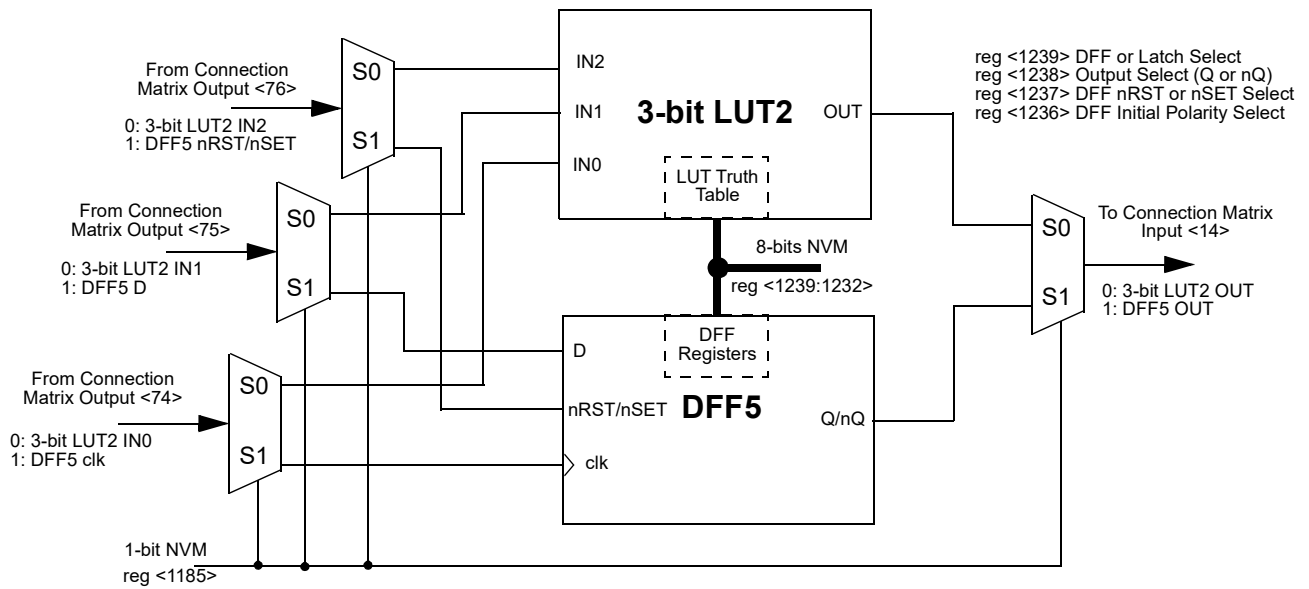


Figure 16. 3-bit LUT2 or DFF5 with RST/SET

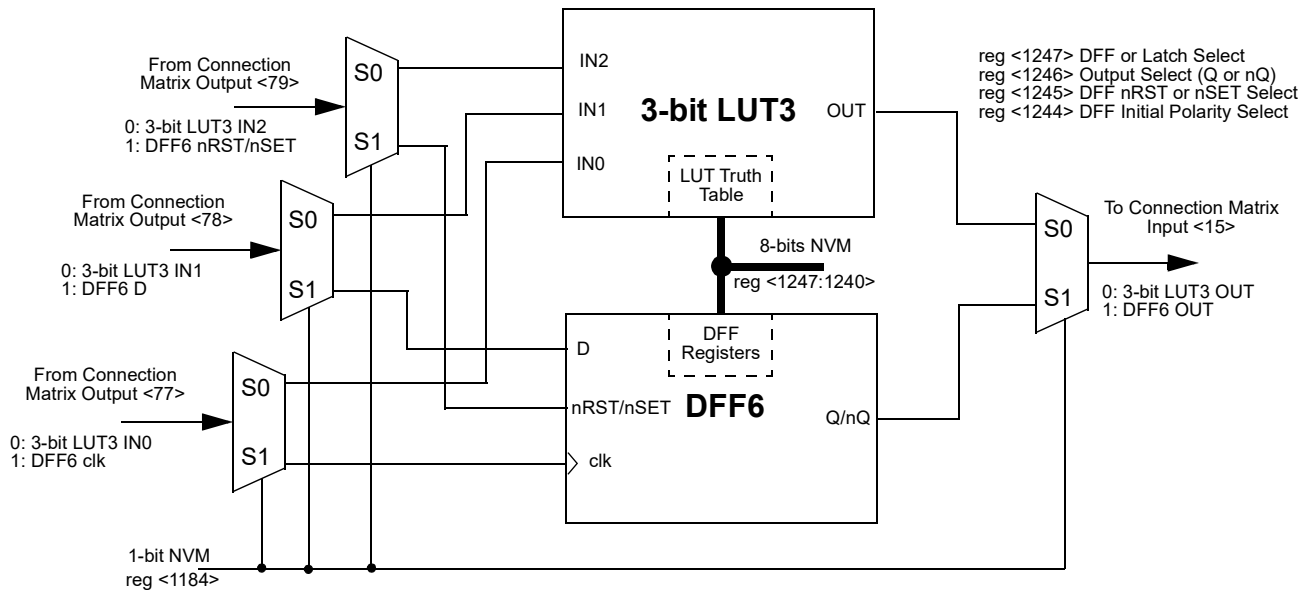


Figure 17. 3-bit LUT3 or DFF6 with RST/SET





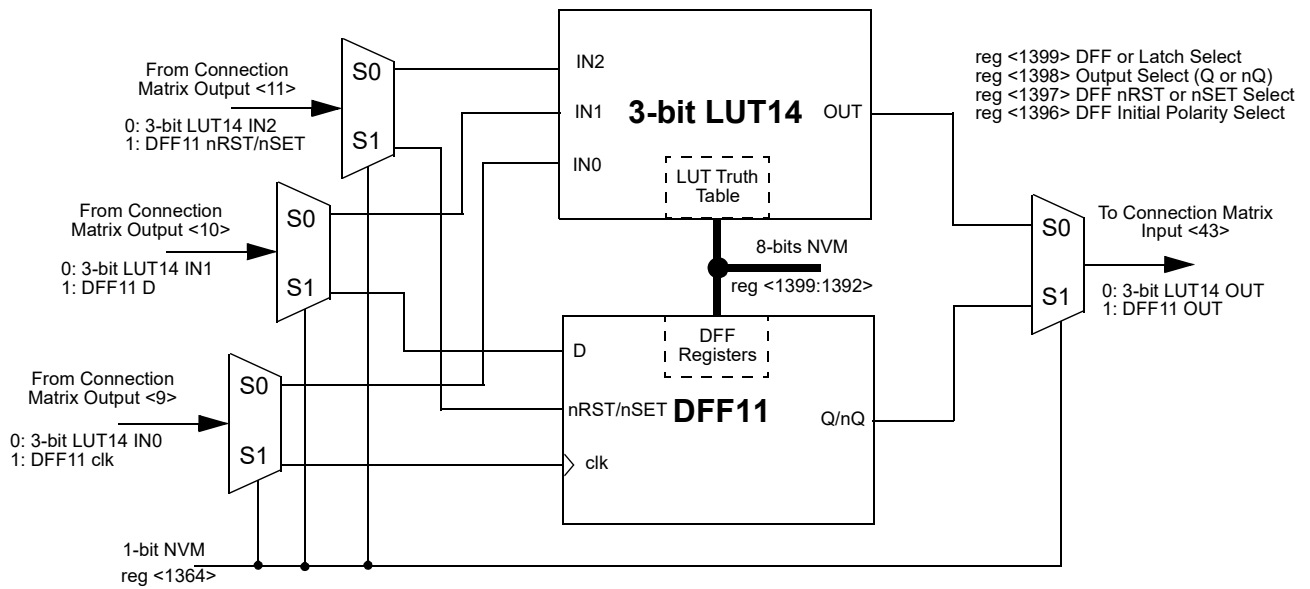


Figure 22. 3-bit LUT14 or DFF11 with RST/SET

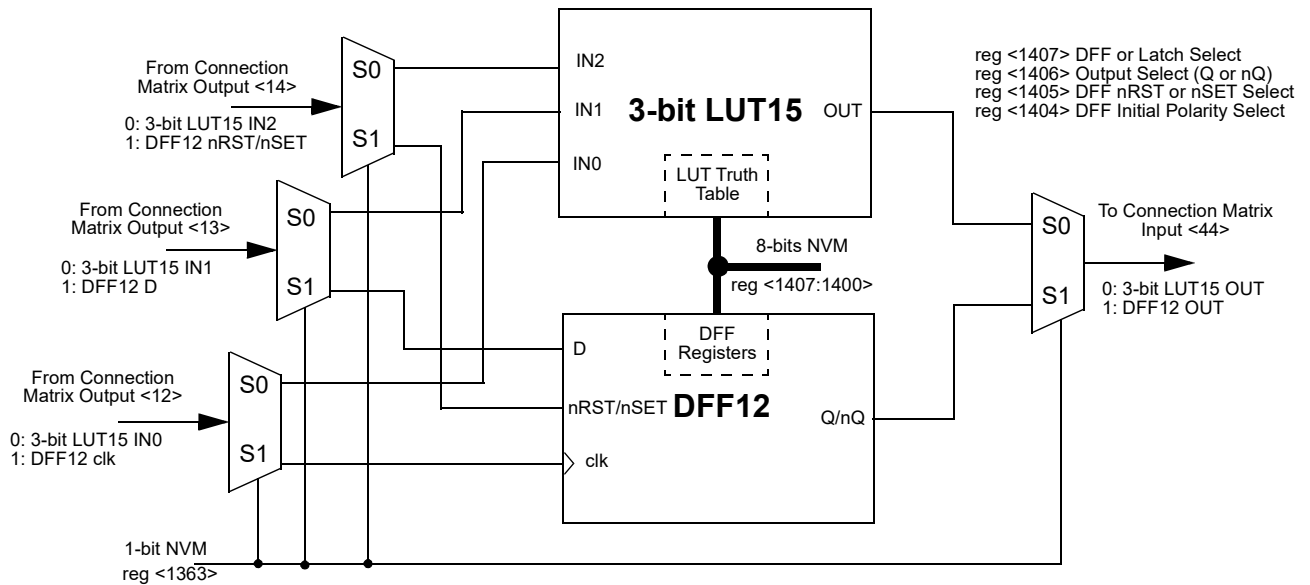


Figure 23. 3-bit LUT15 or DFF12 with RST/SET

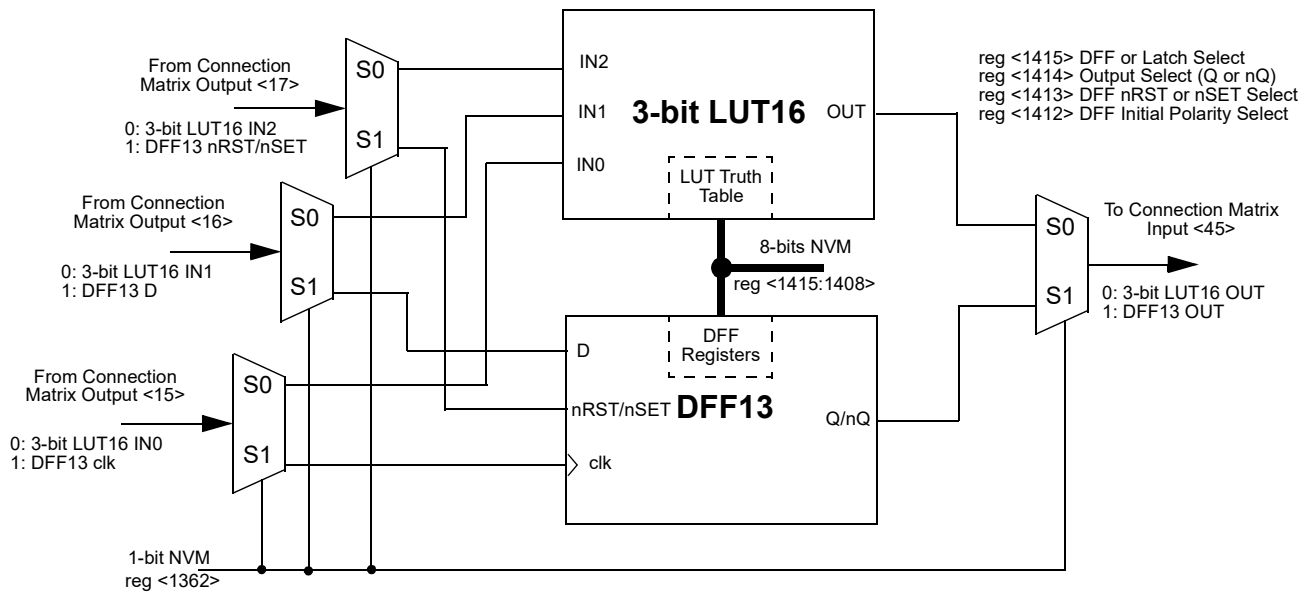


Figure 24. 3-bit LUT16 or DFF13 with RST/SET

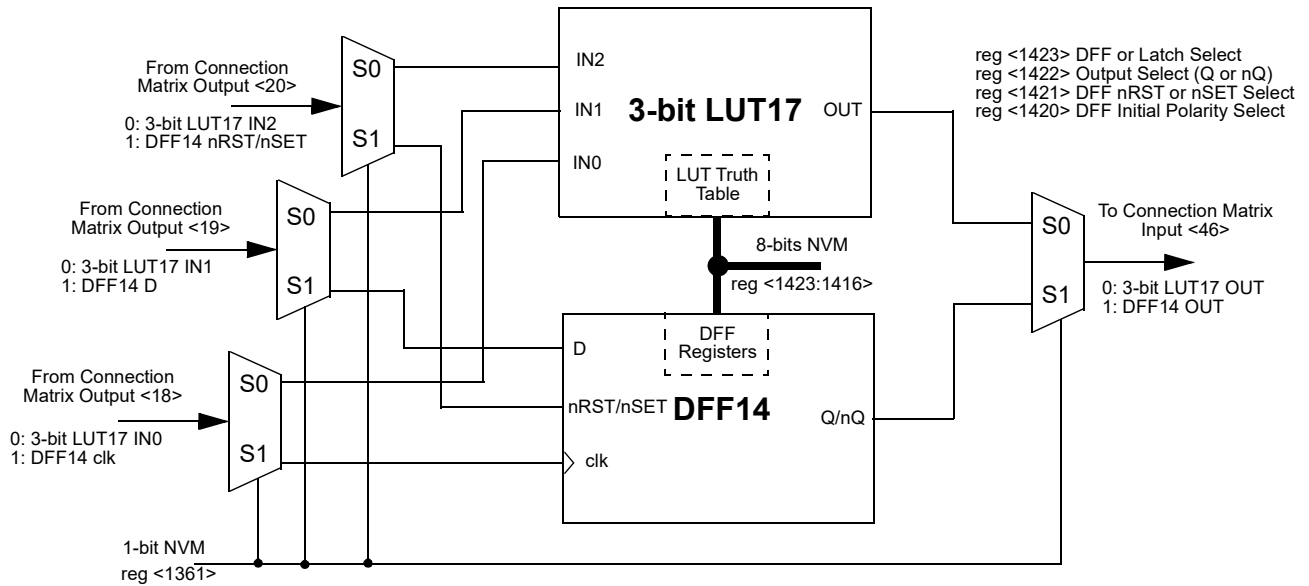


Figure 25. 3-bit LUT17 or DFF14 with RST/SET



### 9.2.1 3-Bit LUT or D Flip Flop Macrocells Used as 3-Bit LUTs

Table 36. 3-bit LUT0 Truth Table

IN2	IN1	IN0	OUT	
0	0	0	reg <1216>	LSB
0	0	1	reg <1217>	
0	1	0	reg <1218>	
0	1	1	reg <1219>	
1	0	0	reg <1220>	
1	0	1	reg <1221>	
1	1	0	reg <1222>	
1	1	1	reg <1223>	MSB

Table 37. 3-bit LUT1 Truth Table

IN2	IN1	IN0	OUT	
0	0	0	reg <1224>	LSB
0	0	1	reg <1225>	
0	1	0	reg <1226>	
0	1	1	reg <1227>	
1	0	0	reg <1228>	
1	0	1	reg <1229>	
1	1	0	reg <1230>	
1	1	1	reg <1231>	MSB

Table 38. 3-bit LUT2 Truth Table

IN2	IN1	IN0	OUT	
0	0	0	reg <1232>	LSB
0	0	1	reg <1233>	
0	1	0	reg <1234>	
0	1	1	reg <1235>	
1	0	0	reg <1236>	
1	0	1	reg <1237>	
1	1	0	reg <1238>	
1	1	1	reg <1239>	MSB

Table 39. 3-bit LUT3 Truth Table

IN2	IN1	IN0	OUT	
0	0	0	reg <1240>	LSB
0	0	1	reg <1241>	
0	1	0	reg <1242>	
0	1	1	reg <1243>	
1	0	0	reg <1244>	
1	0	1	reg <1245>	
1	1	0	reg <1246>	
1	1	1	reg <1247>	MSB

Table 40. 3-bit LUT4 Truth Table

IN2	IN1	IN0	OUT	
0	0	0	reg <1248>	LSB
0	0	1	reg <1249>	
0	1	0	reg <1250>	
0	1	1	reg <1251>	
1	0	0	reg <1252>	
1	0	1	reg <1253>	
1	1	0	reg <1254>	
1	1	1	reg <1255>	MSB

Table 41. 3-bit LUT11 Truth Table

IN2	IN1	IN0	OUT	
0	0	0	reg <1368>	LSB
0	0	1	reg <1369>	
0	1	0	reg <1370>	
0	1	1	reg <1371>	
1	0	0	reg <1372>	
1	0	1	reg <1373>	
1	1	0	reg <1374>	
1	1	1	reg <1375>	MSB

Table 42. 3-bit LUT12 Truth Table

IN2	IN1	IN0	OUT	
0	0	0	reg <1376>	LSB
0	0	1	reg <1377>	
0	1	0	reg <1378>	
0	1	1	reg <1379>	
1	0	0	reg <1380>	
1	0	1	reg <1381>	
1	1	0	reg <1382>	
1	1	1	reg <1383>	MSB

Table 43. 3-bit LUT13 Truth Table

IN2	IN1	IN0	OUT	
0	0	0	reg <1384>	LSB
0	0	1	reg <1385>	
0	1	0	reg <1386>	
0	1	1	reg <1387>	
1	0	0	reg <1388>	
1	0	1	reg <1389>	
1	1	0	reg <1390>	
1	1	1	reg <1391>	MSB

**Table 44. 3-bit LUT14 Truth Table**

IN2	IN1	IN0	OUT	
0	0	0	reg <1392>	LSB
0	0	1	reg <1393>	
0	1	0	reg <1394>	
0	1	1	reg <1395>	
1	0	0	reg <1396>	
1	0	1	reg <1397>	
1	1	0	reg <1398>	
1	1	1	reg <1399>	MSB

**Table 45. 3-bit LUT15 Truth Table**

IN2	IN1	IN0	OUT	
0	0	0	reg <1400>	LSB
0	0	1	reg <1401>	
0	1	0	reg <1402>	
0	1	1	reg <1403>	
1	0	0	reg <1404>	
1	0	1	reg <1405>	
1	1	0	reg <1406>	
1	1	1	reg <1407>	MSB

**Table 46. 3-bit LUT16 Truth Table**

IN2	IN1	IN0	OUT	
0	0	0	reg <1408>	LSB
0	0	1	reg <1409>	
0	1	0	reg <1410>	
0	1	1	reg <1411>	
1	0	0	reg <1412>	
1	0	1	reg <1413>	
1	1	0	reg <1414>	
1	1	1	reg <1415>	MSB

**Table 47. 3-bit LUT17 Truth Table**

IN2	IN1	IN0	OUT	
0	0	0	reg <1416>	LSB
0	0	1	reg <1417>	
0	1	0	reg <1418>	
0	1	1	reg <1419>	
1	0	0	reg <1420>	
1	0	1	reg <1421>	
1	1	0	reg <1422>	
1	1	1	reg <1423>	MSB

Each Macrocell, when programmed for a LUT function, uses a 8-bit register to define their output function:

*3-Bit LUT0 is defined by reg<1223:1216>*

*3-Bit LUT1 is defined by reg<1231:1324>*

*3-Bit LUT2 is defined by reg<1239:1232>*

*3-Bit LUT3 is defined by reg<1247:1240>*

*3-Bit LUT4 is defined by reg<1255:1248>*

*3-Bit LUT11 is defined by reg<1375:1368>*

*3-Bit LUT12 is defined by reg<1383:1376>*

*3-Bit LUT13 is defined by reg<1391:1384>*

*3-Bit LUT14 is defined by reg<1399:1392>*

*3-Bit LUT15 is defined by reg<1407:1400>*

*3-Bit LUT16 is defined by reg<1415:1408>*

*3-Bit LUT17 is defined by reg<1423:1416>*





The table below shows the register bits for the standard digital logic devices (AND, NAND, OR, NOR, XOR, XNOR) that can be created within each of the six 3-bit LUT logic cells.

**Table 48. 3-bit LUT Standard Digital Functions**

Function	MSB							LSB
AND-3	1	0	0	0	0	0	0	0
NAND-3	0	1	1	1	1	1	1	1
OR-3	1	1	1	1	1	1	1	0
NOR-3	0	0	0	0	0	0	0	1
XOR-3	1	0	0	1	0	1	1	0
XNOR-3	0	1	1	0	1	0	0	1

### 9.2.2 3-Bit LUT or D Flip Flop Macrocells Used as D Flip Flop Register Settings

**Table 49. DFF3 Register Settings**

Signal Function	Register Bit Address	Register Definition
LUT3_0 or DFF3 Select	reg<1187>	0: LUT3_0 1: DFF3
DFF3 Initial Polarity Select	reg<1220>	0: Low 1: High
DFF3 nRST/nSET Select	reg<1221>	1: nSET from matrix out 0: nRST from matrix out
DFF3 Output Select	reg<1222>	0: Q output 1: nQ output
DFF3 or Latch Select	reg<1223>	0: DFF function 1: Latch function

**Table 50. DFF4 Register Settings**

Signal Function	Register Bit Address	Register Definition
LUT3_1 or DFF4 Select	reg<1186>	0: LUT3_1 1: DFF4
DFF4 Initial Polarity Select	reg<1128>	0: Low 1: High
DFF4 nRST/nSET Select	reg<1129>	1: nSET from matrix out 0: nRST from matrix out
DFF4 Output Select	reg<1130>	0: Q output 1: nQ output
DFF4 or Latch Select	reg<1131>	0: DFF function 1: Latch function



**Table 51. DFF5 Register Settings**

Signal Function	Register Bit Address	Register Definition
LUT3_2 or DFF5 Select	reg<1185>	0: LUT3_2 1: DFF5
DFF5 Initial Polarity Select	reg<1236>	0: Low 1: High
DFF5 nRST/nSET Select	reg<1237>	1: nSET from matrix out 0: nRST from matrix out
DFF5 Output Select	reg<1238>	0: Q output 1: nQ output
DFF5 or Latch Select	reg<1239>	0: DFF function 1: Latch function

**Table 52. DFF6 Register Settings**

Signal Function	Register Bit Address	Register Definition
LUT3_3 or DFF6 Select	reg<1184>	0: LUT3_3 1: DFF6
DFF6 Initial Polarity Select	reg<1244>	0: Low 1: High
DFF6 nRST/nSET Select	reg<1245>	1: nSET from matrix out 0: nRST from matrix out
DFF6 Output Select	reg<1246>	0: Q output 1: nQ output
DFF6 or Latch Select	reg<1247>	0: DFF function 1: Latch function

**Table 53. DFF7 Register Settings**

Signal Function	Register Bit Address	Register Definition
LUT3_4 or DFF7 Select	reg<1199>	0: LUT3_4 1: DFF7
DFF7 Initial Polarity Select	reg<1252>	0: Low 1: High
DFF7 nRST/nSET Select	reg<1253>	1: nSET from matrix out 0: nRST from matrix out
DFF7 Output Select	reg<1254>	0: Q output 1: nQ output
DFF7 or Latch Select	reg<1255>	0: DFF function 1: Latch function

**Table 54. DFF8 Register Settings**

Signal Function	Register Bit Address	Register Definition
LUT3_11 or DFF8 Select	reg<1367>	0: LUT3_2 1: DFF8
DFF8 Initial Polarity Select	reg<1372>	0: Low 1: High
DFF8 nRST/nSET Select	reg<1373>	1: nSET from matrix out 0: nRST from matrix out
DFF8 Output Select	reg<1374>	0: Q output 1: nQ output
DFF8 or Latch Select	reg<1375>	0: DFF function 1: Latch function

**Table 55. DFF9 Register Settings**

Signal Function	Register Bit Address	Register Definition
LUT3_12 or DFF9 Select	reg<1366>	0: LUT3_12 1: DFF9
DFF9 Initial Polarity Select	reg<1380>	0: Low 1: High
DFF9 nRST/nSET Select	reg<1381>	1: nSET from matrix out 0: nRST from matrix out
DFF9 Output Select	reg<1382>	0: Q output 1: nQ output
DFF9 or Latch Select	reg<1383>	0: DFF function 1: Latch function

**Table 56. DFF10 Register Settings**

Signal Function	Register Bit Address	Register Definition
LUT3_13 or DFF10 Select	reg<1365>	0: LUT3_13 1: DFF10
DFF10 Initial Polarity Select	reg<1388>	0: Low 1: High
DFF10 nRST/nSET Select	reg<1389>	1: nSET from matrix out 0: nRST from matrix out
DFF10 Output Select	reg<1390>	0: Q output 1: nQ output
DFF10 or Latch Select	reg<1391>	0: DFF function 1: Latch function



**Table 57. DFF11 Register Settings**

Signal Function	Register Bit Address	Register Definition
LUT3_14 or DFF11 Select	reg<1364>	0: LUT3_2 1: DFF11
DFF11 Initial Polarity Select	reg<1396>	0: Low 1: High
DFF11 nRST/nSET Select	reg<1397>	1: nSET from matrix out 0: nRST from matrix out
DFF11 Output Select	reg<1398>	0: Q output 1: nQ output
DFF11 or Latch Select	reg<1399>	0: DFF function 1: Latch function

**Table 58. DFF12 Register Settings**

Signal Function	Register Bit Address	Register Definition
LUT3_15 or DFF12 Select	reg<1363>	0: LUT3_3 1: DFF12
DFF12 Initial Polarity Select	reg<1404>	0: Low 1: High
DFF12 nRST/nSET Select	reg<1405>	1: nSET from matrix out 0: nRST from matrix out
DFF12 Output Select	reg<1406>	0: Q output 1: nQ output
DFF12 or Latch Select	reg<1407>	0: DFF function 1: Latch function

**Table 59. DFF13 Register Settings**

Signal Function	Register Bit Address	Register Definition
LUT3_16 or DFF13 Select	reg<1362>	0: LUT3_4 1: DFF13
DFF13 Initial Polarity Select	reg<1412>	0: Low 1: High
DFF13 nRST/nSET Select	reg<1413>	1: nSET from matrix out 0: nRST from matrix out
DFF13 Output Select	reg<1414>	0: Q output 1: nQ output
DFF13 or Latch Select	reg<1415>	0: DFF function 1: Latch function



**Table 60. DFF14 Register Settings**

Signal Function	Register Bit Address	Register Definition
LUT3_17 or DFF14 Select	reg<1361>	0: LUT3_17 1: DFF14
DFF14 Initial Polarity Select	reg<1420>	0: Low 1: High
DFF14 nRST/nSET Select	reg<1421>	1: nSET from matrix out 0: nRST from matrix out
DFF14 Output Select	reg<1422>	0: Q output 1: nQ output
DFF14 or Latch Select	reg<1423>	0: DFF function 1: Latch function



9.3 Initial Polarity Operations

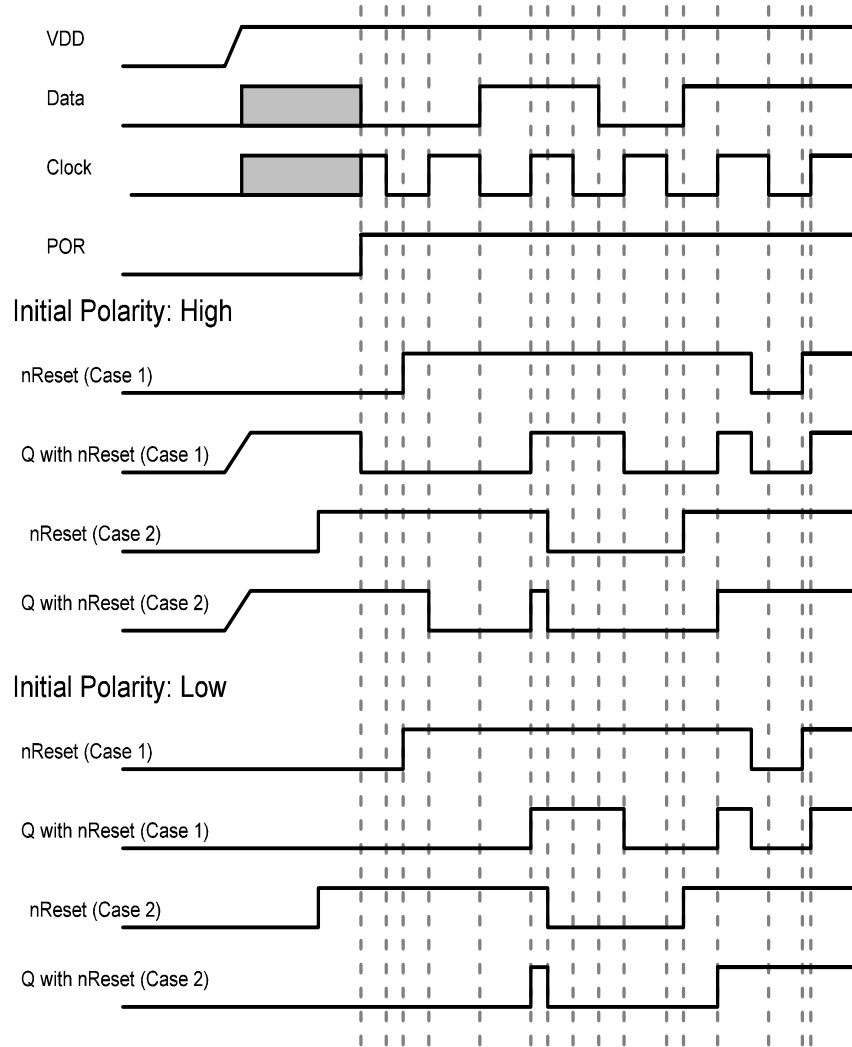


Figure 26. DFF Polarity Operations with nReset

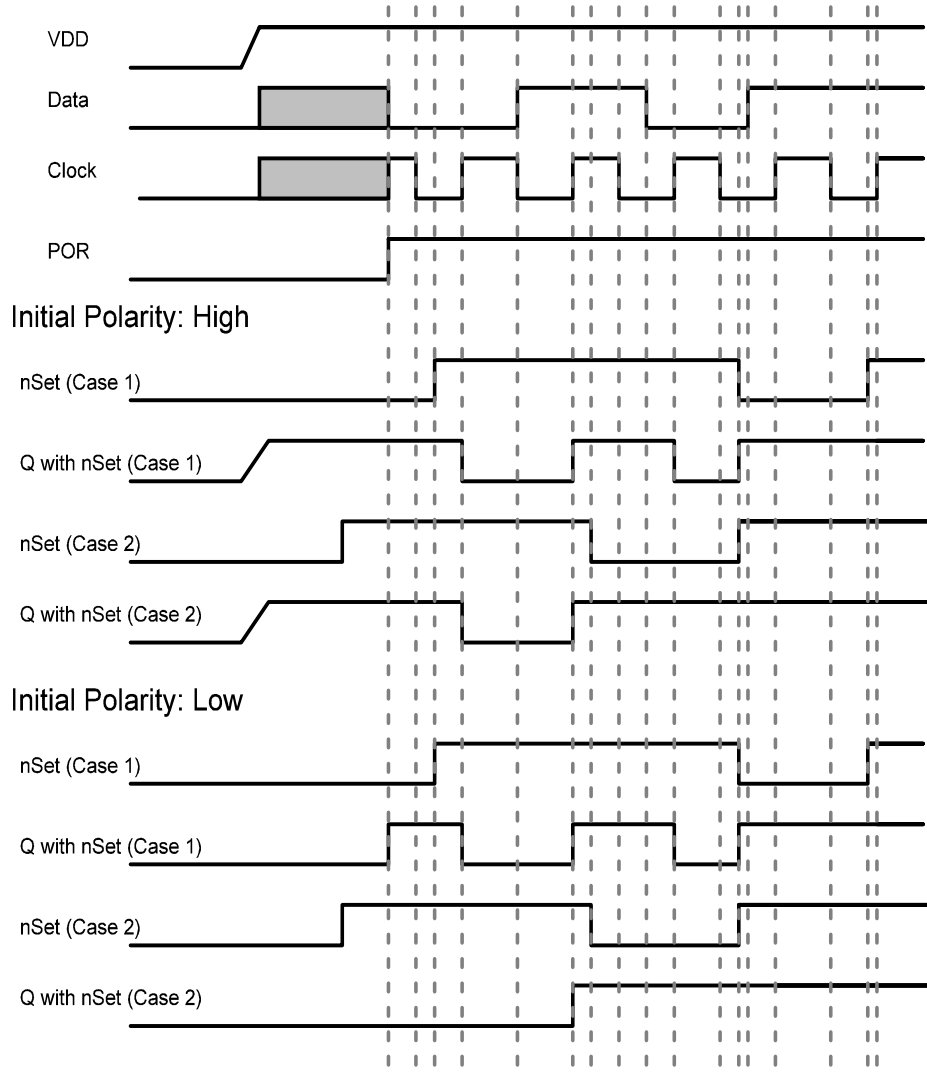


Figure 27. DFF Polarity Operations with nSet



## 9.4 3-Bit LUT or Pipe Delay Macrocell

There is one macrocell that can serve as either a 3-bit LUT or as a Pipe Delay.

When used to implement LUT functions, the 3-bit LUT take in three input signals from the connection matrix and produces a single output, which goes back into the connection matrix.

When used as a pipe delay, there are three inputs signals from the matrix, Input (IN), Clock (CLK) and Reset (nRST). The pipe delay cell is built from 16 D Flip-Flop logic cells that provide the three output options, two of which are user selectable. The DFF cells are tied in series where the output (Q) of each delay cell goes to the next DFF cell. The first delay option is fixed at the output of the first flip-flop stage. The other two outputs (OUT0 and OUT1) provide user selectable options for 1 – 16 stages of delay. There are delay output points for each set of the OUT0 and OUT1 outputs to a 16-input mux that is controlled by reg <1259:1256> for OUT0 and reg <1263:1260> for OUT1. The 16-input mux is used to select the amount of delay.

The overall time of the delay is based on the clock used in the SLG46536 design. Each DFF cell has a time delay of the inverse of the clock time (either external clock or the RC Oscillator within the SLG46536). The sum of the number of DFF cells used will be the total time delay of the Pipe Delay logic cell.

*Note: CLK is rising edge triggered.*

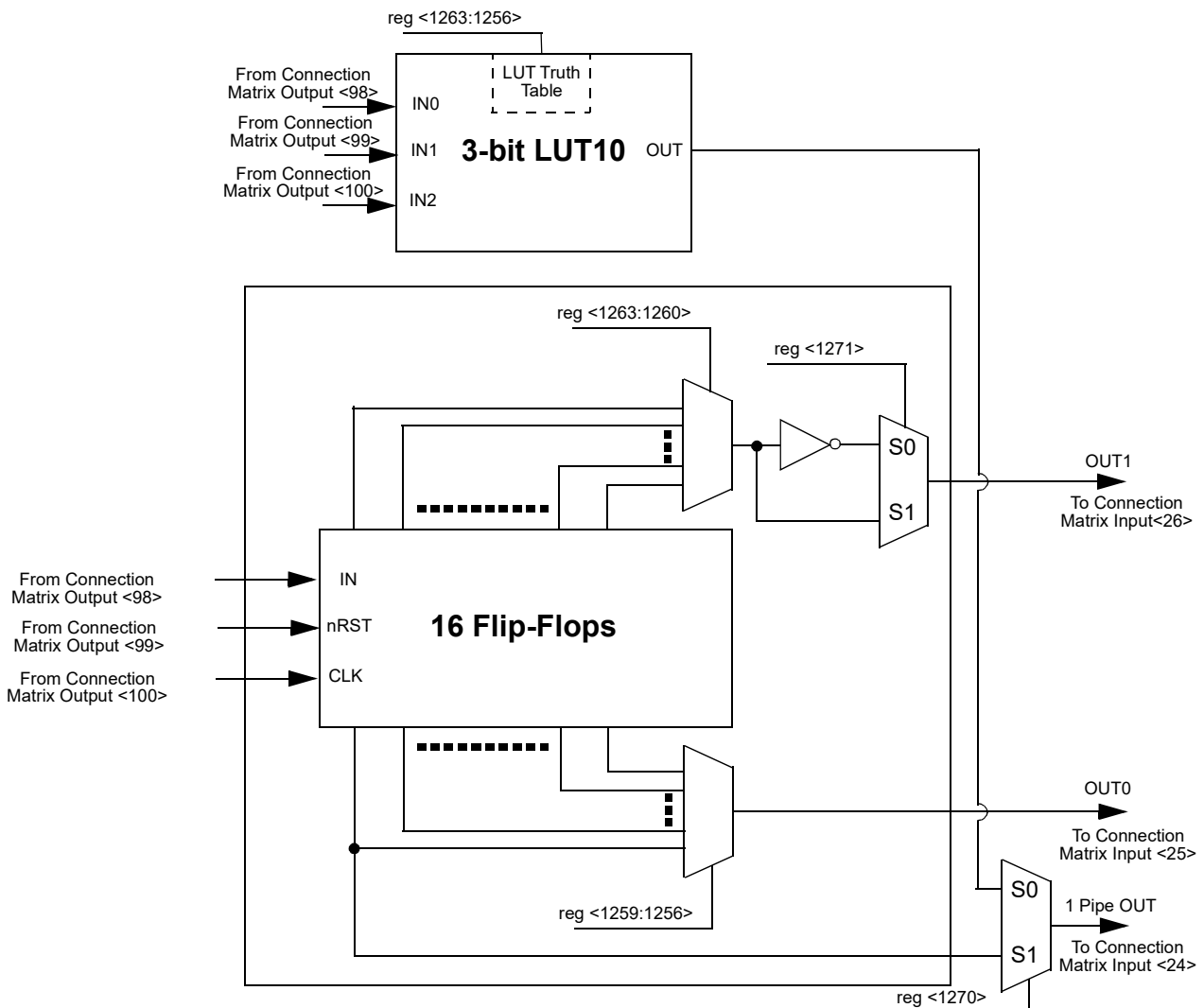


Figure 28. 3-bit LUT10 or Pipe Delay





### 9.4.1 3-Bit LUT or Pipe Delay Macrocells Used as 3-Bit LUTs

Table 61. 3-bit LUT10 Truth Table

IN2	IN1	IN0	OUT	
0	0	0	reg <1256>	LSB
0	0	1	reg <1257>	
0	1	0	reg <1258>	
0	1	1	reg <1259>	
1	0	0	reg <1260>	
1	0	1	reg <1261>	
1	1	0	reg <1262>	
1	1	1	reg <1263>	MSB

Each Macrocell, when programmed for a LUT function, uses a 8-bit register to define their output function:

*3-Bit LUT10 is defined by reg<1263:1256>*

### 9.4.2 3-Bit LUT or Pipe Delay Macrocells Used as Pipe Delay Register Settings

Table 62. Pipe Delay Register Settings

Signal Function	Register Bit Address	Register Definition
LUT3_10 or Pipe Delay Output Select	reg<1270>	0: LUT3_10 1: 1 Pipe Delay Output
OUT0 select	reg<1259:1256>	
OUT1 select	reg<1263:1260>	
Pipe delay OUT1 Polarity Select Bit	reg<1271>	0: Non-inverted 1: Inverted



### 9.5 3-Bit LUT or 8-Bit Counter / Delay Macrocells

There are five macrocells that can serve as either 3-bit LUTs or as Counter / Delays. When used to implement LUT function, the 3-bit LUT takes in three input signals from the connection matrix and produces a single output, which goes back into the connection matrix. When used to implement 8-Bit Counter / Delay function, two of the three input signals from the connection matrix go to the external clock (ext\_clk) and reset (DLY\_in/CNT\_Reset) for the counter/delay, with the output going back to the connection matrix.

These macrocells can also operate in a one-shot mode, which will generate an output pulse of user-defined width.

These macrocells can also operate in a frequency detection or edge detection mode.

For timing diagrams refer to section 9.7 *CNT/DLY/FSM Timing Diagrams*.

Two of the five macrocells can have their active count value read via I<sup>2</sup>C (CNT4 and CNT6). See Section 18.5.1.2 *Reading Counter Data via I2C* for further details.

#### 9.5.1 3-Bit LUT or 8- Bit CNT/DLY Block Diagrams

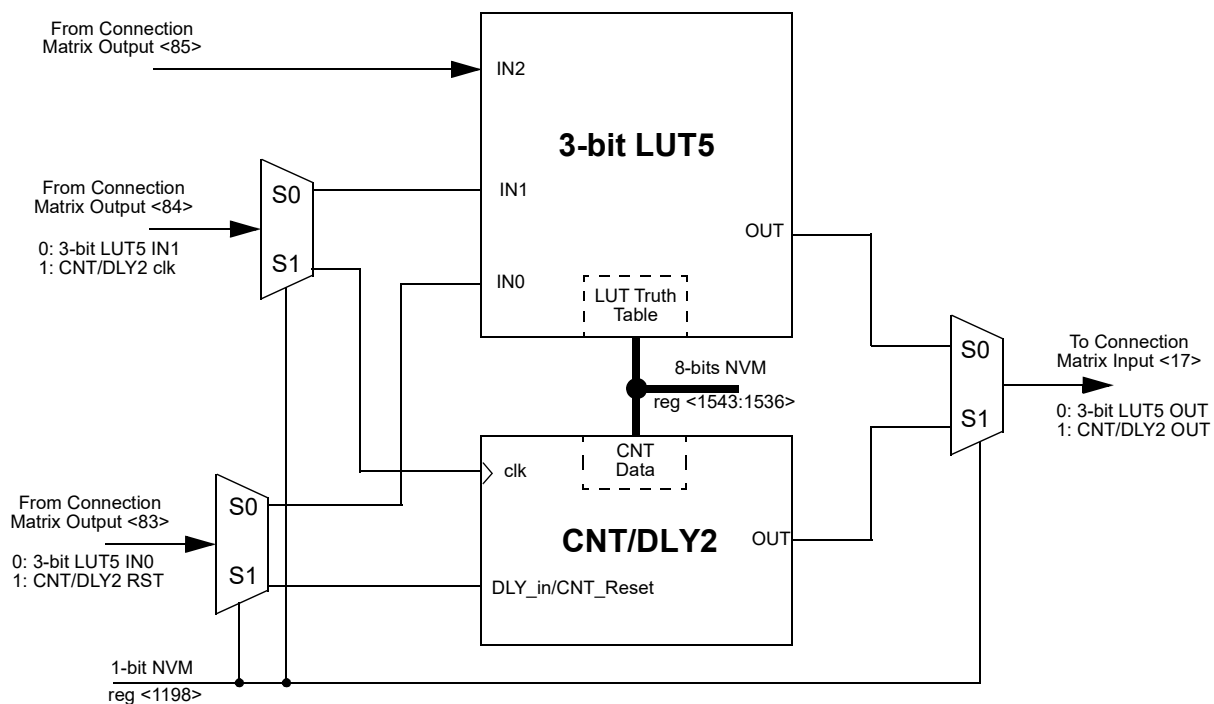


Figure 29. 3-bit LUT5 or CNT/DLY2

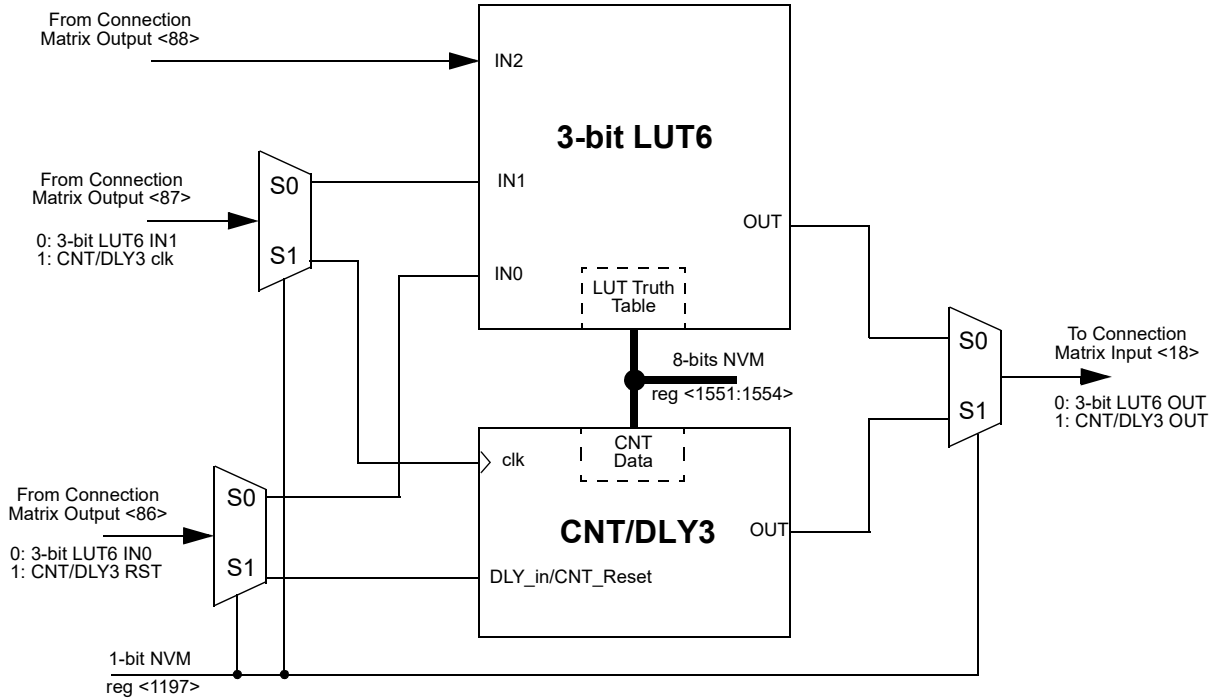


Figure 30. 3-bit LUT6 or CNT/DLY3

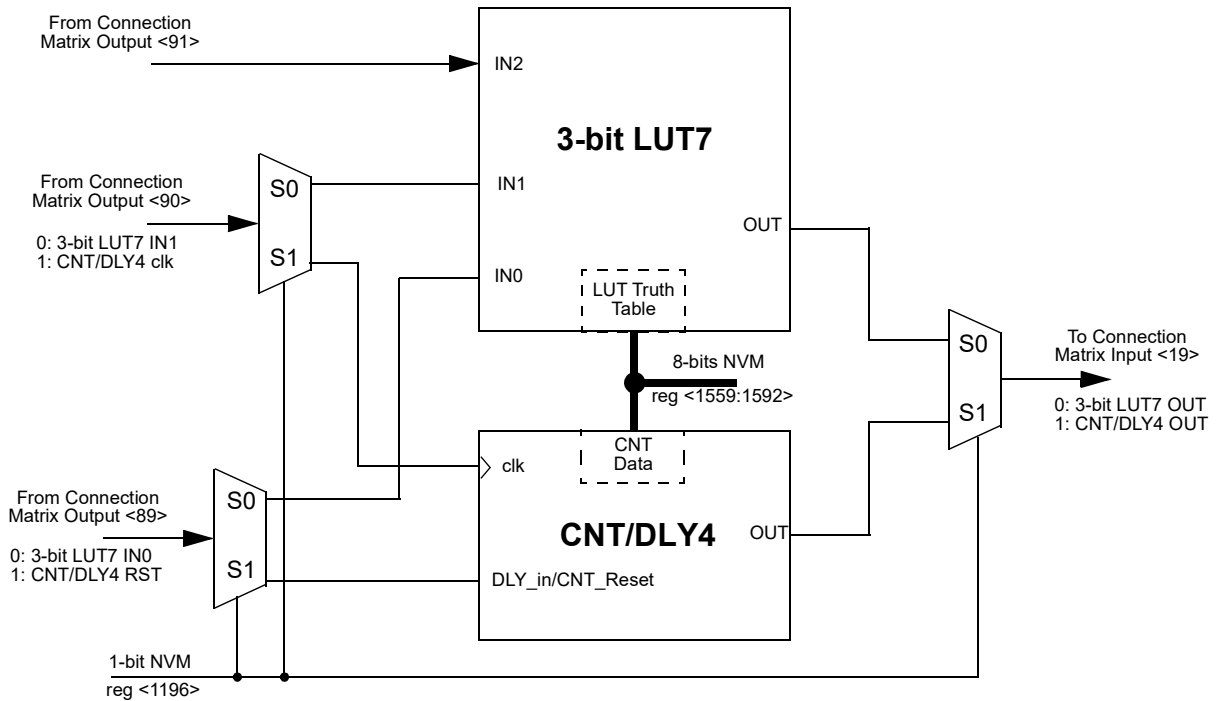


Figure 31. 3-bit LUT7 or CNT/DLY4

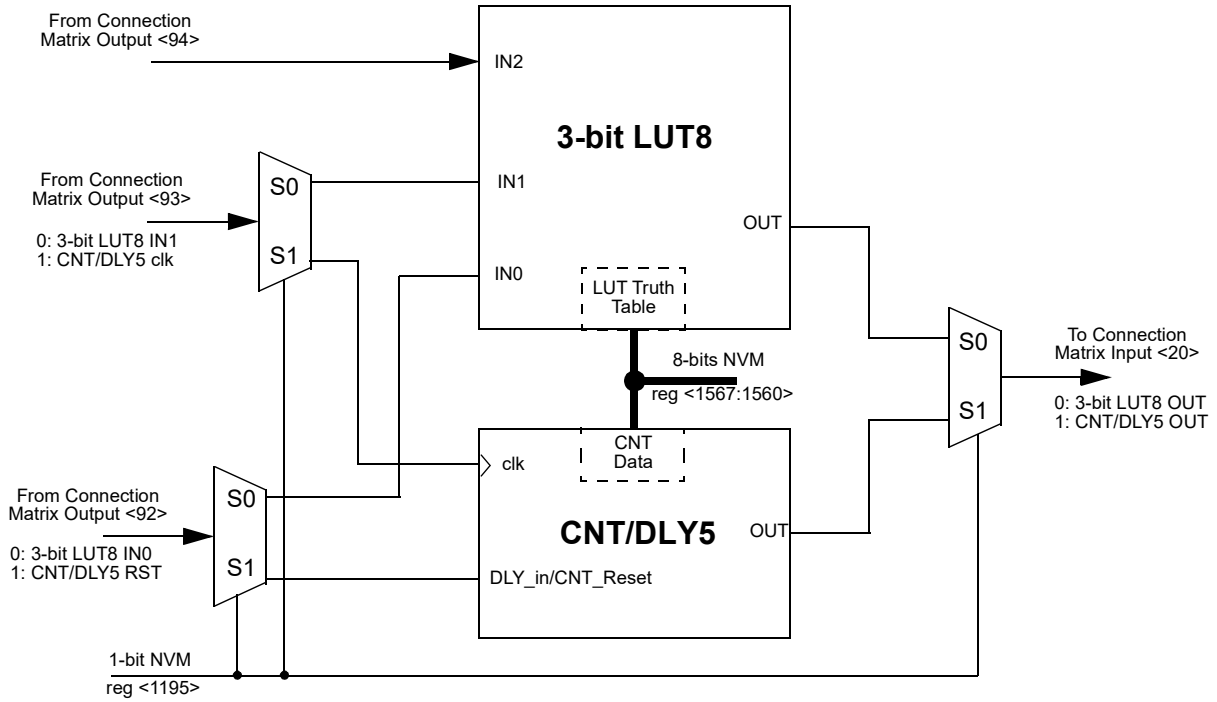


Figure 32. 3-bit LUT8 or CNT/DLY5

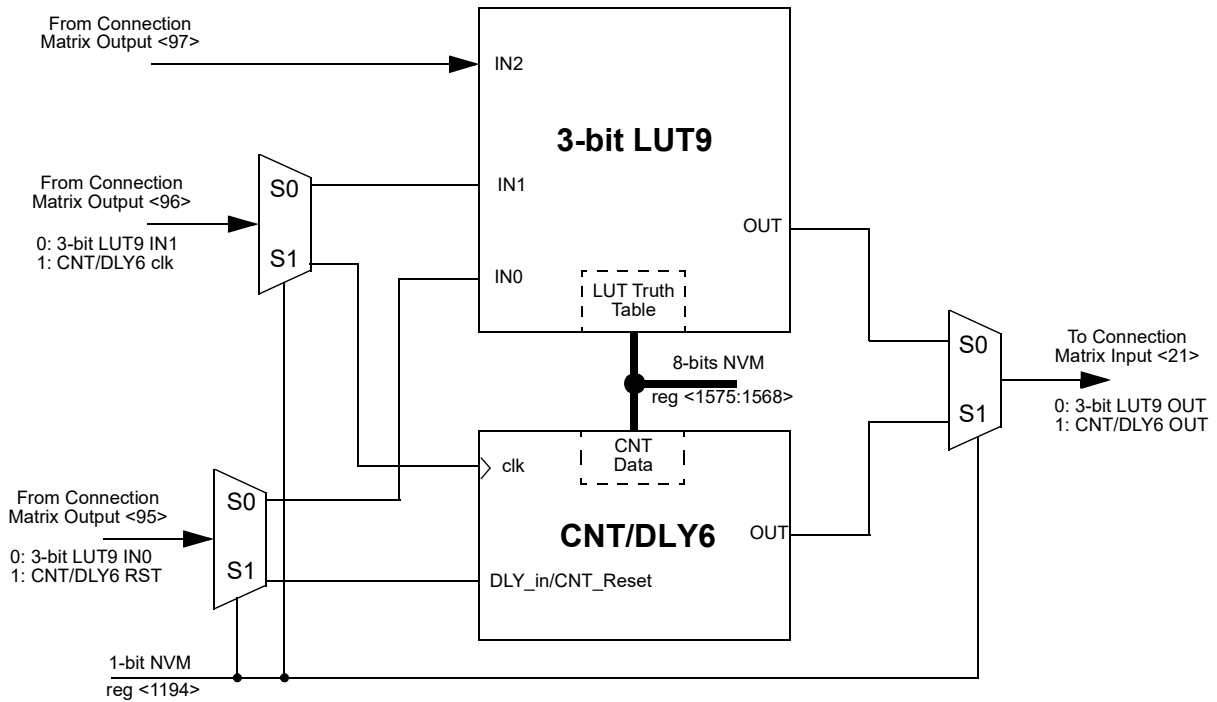


Figure 33. 3-bit LUT9 or CNT/DLY6



### 9.5.2 3-Bit LUT or CNT/DLYs Used as 3-Bit LUTs

**Table 63. 3-bit LUT5 Truth Table**

IN2	IN1	IN0	OUT	
0	0	0	reg <1536>	LSB
0	0	1	reg <1537>	
0	1	0	reg <1538>	
0	1	1	reg <1539>	
1	0	0	reg <1540>	
1	0	1	reg <1541>	
1	1	0	reg <1542>	
1	1	1	reg <1543>	MSB

**Table 64. 3-bit LUT6 Truth Table**

IN2	IN1	IN0	OUT	
0	0	0	reg <1544>	LSB
0	0	1	reg <1545>	
0	1	0	reg <1546>	
0	1	1	reg <1547>	
1	0	0	reg <1548>	
1	0	1	reg <1549>	
1	1	0	reg <1550>	
1	1	1	reg <1551>	MSB

**Table 65. 3-bit LUT7 Truth Table**

IN2	IN1	IN0	OUT	
0	0	0	reg <1552>	LSB
0	0	1	reg <1553>	
0	1	0	reg <1554>	
0	1	1	reg <1555>	
1	0	0	reg <1556>	
1	0	1	reg <1557>	
1	1	0	reg <1558>	
1	1	1	reg <1559>	MSB

**Table 66. 3-bit LUT8 Truth Table**

IN2	IN1	IN0	OUT	
0	0	0	reg <1560>	LSB
0	0	1	reg <1561>	
0	1	0	reg <1562>	
0	1	1	reg <1563>	
1	0	0	reg <1564>	
1	0	1	reg <1565>	
1	1	0	reg <1566>	
1	1	1	reg <1567>	MSB

**Table 67. 3-bit LUT9 Truth Table**

IN2	IN1	IN0	OUT	
0	0	0	reg <1568>	LSB
0	0	1	reg <1569>	
0	1	0	reg <1570>	
0	1	1	reg <1571>	
1	0	0	reg <1572>	
1	0	1	reg <1573>	
1	1	0	reg <1574>	
1	1	1	reg <1575>	MSB

Each Macrocell, when programmed for a LUT function, uses a 8-bit register to define their output function:

*3-Bit LUT5 is defined by reg<1543:1536>*

*3-Bit LUT6 is defined by reg<1551:1544>*

*3-Bit LUT7 is defined by reg<1559:1552>*

*3-Bit LUT8 is defined by reg<1567:1560>*

*3-Bit LUT9 is defined by reg<1575:1568>*



### 9.5.3 3-Bit LUT or 8-Bit Counter / Delay Macrocells Used as 8-Bit Counter / Delay Register Settings

**Table 68. CNT/DLY2 Register Settings**

Signal Function	Register Bit Address	Register Definition
LUT3_5 or Counter2 Select	reg<1198>	0: LUT3_5 1: Counter2
Delay2 Mode Select or asynchronous counter reset	reg<1273:1272>	00: on both falling and rising edges (for delay & counter reset) 01: on falling edge only (for delay & counter reset) 10: on rising edge only (for delay & counter reset) 11: no delay on either falling or rising edges / counter high level reset
Counter/delay2 Clock Source Select	reg<1276:1274>	000: Internal OSC clock 001: OSC/4 010: OSC/12 011: OSC/24 100: OSC/64 101: 25MHz OSC clock 110: External Clock 111: Counter1 Overflow
Counter/delay2 Output Selection for Counter mode	reg<1277>	0: Default Output 1: Edge Detector Output
Counter/delay2 Mode Selection	reg<1279:1278>	00: Delay mode 01: One Shot 10: Freq. Detect 11: Counter mode
Counter/delay2 Control Data	reg<1543:1536>	1 – 255

**Table 69. CNT/DLY3 Register Settings**

Signal Function	Register Bit Address	Register Definition
LUT3_6 or Counter3 Select	reg<1197>	0: LUT3_6 1: Counter3
Delay3 Mode Select or asynchronous counter reset	reg<1281:1280>	00: on both falling and rising edges (for delay & counter reset) 01: on falling edge only (for delay & counter reset) 10: on rising edge only (for delay & counter reset) 11: no delay on either falling or rising edges / counter high level reset
Counter/delay3 Clock Source Select	reg<1284:1282>	000: Internal OSC clock 001: OSC/4 010: OSC/12 011: OSC/24 100: OSC/64 101: 25 MHz OSC clock 110: External Clock 111: Counter2 Overflow
Counter/delay3 Output Selection for Counter mode	reg<1285>	0: Default Output 1: Edge Detector Output
Counter/delay2 Mode Selection	reg<1287:1286>	00: Delay mode 01: One Shot 10: Freq. Detect 11: Counter mode
Counter/delay3 Control Data	reg<1551:1544>	1 – 255

**Table 70. CNT/DLY4 Register Settings**

Signal Function	Register Bit Address	Register Definition
LUT3_7 or Counter4 Select	reg<1196>	0: LUT3_7 1: Counter4
Delay4 Mode Select or asynchronous counter reset	reg<1289:1288>	00: on both falling and rising edges (for delay & counter reset) 01: on falling edge only (for delay & counter reset) 10: on rising edge only (for delay & counter reset) 11: no delay on either falling or rising edges / counter high level reset
Counter/delay4 Clock Source Select	reg<1292:1290>	000: Internal OSC clock 001: OSC/4 010: OSC/12 011: OSC/24 100: OSC/64 101: 25 MHz OSC clock 110: External Clock 111: Counter3 Overflow
Counter/delay4 Output Selection for Counter mode	reg<1293>	0: Default Output 1: Edge Detector Output
Counter/delay4 Mode Selection	reg<1295:1294>	00: Delay mode 01: One Shot 10: Freq. Detect 11: Counter mode
Counter/delay4 Control Data	reg<1559:1552>	1 – 255

**Table 71. CNT/DLY5 Register Settings**

Signal Function	Register Bit Address	Register Definition
LUT3_8 or Counter5 Select	reg<1195>	0: LUT3_8 1: Counter5
Delay5 Mode Select or asynchronous counter reset	reg<1297:1296>	00: on both falling and rising edges (for delay & counter reset) 01: on falling edge only (for delay & counter reset) 10: on rising edge only (for delay & counter reset) 11: no delay on either falling or rising edges / counter high level reset
Counter/delay5 Clock Source Select	reg<1300:1298>	000: Internal OSC clock 001: OSC/4 010: OSC/12 011: OSC/24 100: OSC/64 101: 25 MHz OSC clock 110: External Clock 111: Counter4 Overflow
Counter/delay5 Output Selection for Counter mode	reg<1301>	0: Default Output 1: Edge Detector Output
Counter/delay5 Mode Selection	reg<1303:1302>	00: Delay mode 01: One Shot 10: Freq. Detect 11: Counter mode
Counter/delay5 Control Data	reg<1567:1560>	1 – 255



**Table 72. CNT/DLY6 Register Settings**

Signal Function	Register Bit Address	Register Definition
LUT3_9 or Counter5 Select	reg<1194>	0: LUT3_9 1: Counter6
Delay6 Mode Select or asynchronous counter reset	reg<1305:1304>	00: on both falling and rising edges (for delay & counter reset) 01: on falling edge only (for delay & counter reset) 10: on rising edge only (for delay & counter reset) 11: no delay on either falling or rising edges / counter high level reset
Counter/delay6 Clock Source Select	reg<1308:1306>	000: Internal OSC clock 001: OSC/4 010: OSC/12 011: OSC/24 100: OSC/64 101: 25 MHz OSC clock 110: External Clock 111: Counter5 Overflow
Counter/delay6 Output Selection for Counter mode	reg<1309>	0: Default Output 1: Edge Detector Output
Counter/delay6 Mode Selection	reg<1311:1310>	00: Delay mode 01: One Shot 10: Freq. Detect 11: Counter mode
Counter/delay6 Control Data	reg<1575:1568>	1 – 255





### 9.6 4-Bit LUT or 16-Bit Counter / Delay Macrocells

There are two macrocells that can serve as either 4-bit LUTs or as 16-bit Counter / Delays. When used to implement LUT function, the 4-bit LUT takes in four input signals from the Connection Matrix and produces a single output, which goes back into the Connection Matrix. When used to implement 16-Bit Counter / Delay function, four input signals from the connection matrix go to the external clock (`ext_clk`), reset (`DLY_in/CNT_Reset`), Keep and Up for the counter/delay, with the output going back to the connection matrix.

These two macrocells have an optional Finite State Machine (FSM) function. There are two matrix inputs for Up and Keep to support FSM functionality. Any counter within Green PAK is counting down by default. In FSM mode (`CNT/DLY0` and `CNT/DLY1`) it is possible to reverse counting by applying High level to Up input. Also, there is a possibility to pause counting by applying High level to Keep input, after the level goes Low, the counter will proceed counting.

These macrocells can also operate in a one-shot mode, which will generate an output pulse of user-defined width.

These macrocells can also operate in a frequency detection.

Delay time and Output Period can be calculated using the following formulas:

- Delay time:  $[(\text{Counter data} + 2) / \text{CLK input frequency} - \text{Offset}^*]$ ;
- Output Period:  $[(\text{Counter data} + 1) / \text{CLK input frequency} - \text{Offset}^*]$ ;

One Shot pulse width can be calculated using formula:

- Pulse width =  $[(\text{Counter Data} + 2) / \text{CLK input frequency} - \text{Offset}^*]$ ;

\*Offset is the asynchronous time offset between the input signal and the first clock pulse.

For timing diagrams refer to section 9.7 *CNT/DLY/FSM Timing Diagrams*

Both of these macrocells can have their active count value read via I<sup>2</sup>C. See Section 18.5.1.2 *Reading Counter Data via I2C* for further details



9.6.1 4-Bit LUT or 16-Bit CNT/DLY Block Diagram

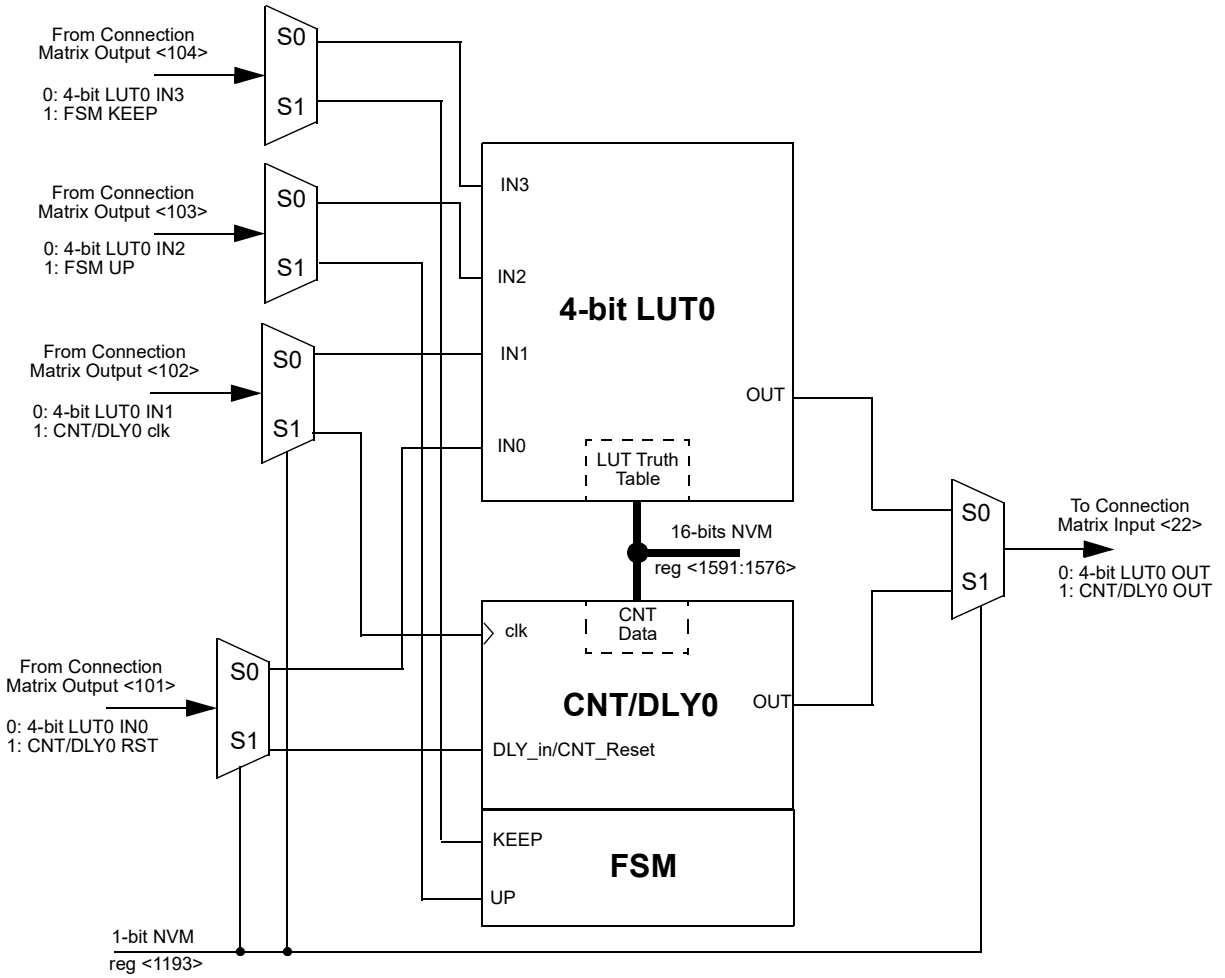


Figure 34. 4-bit LUT0 or CNT/DLY0

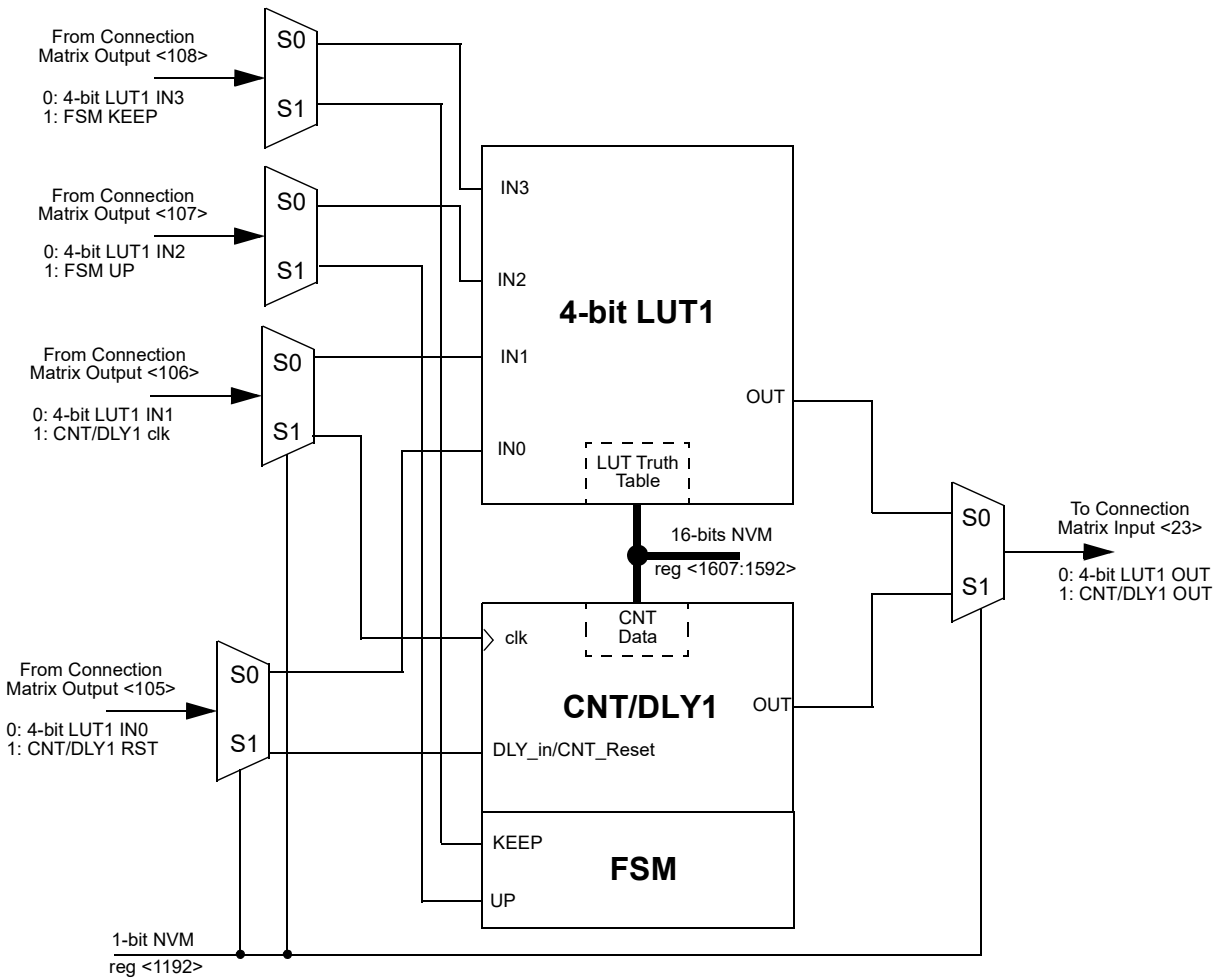


Figure 35. 4-bit LUT1 or CNT/DLY1



## 9.6.2 4-Bit LUT or 16-Bit Counter / Delay Macrocells Used as 4-Bit LUTs

Table 73. 4-bit LUT0 Truth Table.

IN3	IN2	IN1	IN0	OUT	
0	0	0	0	reg <1576>	LSB
0	0	0	1	reg <1577>	
0	0	1	0	reg <1578>	
0	0	1	1	reg <1579>	
0	1	0	0	reg <1580>	
0	1	0	1	reg <1581>	
0	1	1	0	reg <1582>	
0	1	1	1	reg <1583>	
1	0	0	0	reg <1584>	
1	0	0	1	reg <1585>	
1	0	1	0	reg <1586>	
1	0	1	1	reg <1587>	
1	1	0	0	reg <1588>	
1	1	0	1	reg <1589>	
1	1	1	0	reg <1590>	
1	1	1	1	reg <1591>	MSB

Table 74. 4-bit LUT1 Truth Table.

IN3	IN2	IN1	IN0	OUT	
0	0	0	0	reg <1592>	LSB
0	0	0	1	reg <1593>	
0	0	1	0	reg <1594>	
0	0	1	1	reg <1595>	
0	1	0	0	reg <1596>	
0	1	0	1	reg <1597>	
0	1	1	0	reg <1598>	
0	1	1	1	reg <1599>	
1	0	0	0	reg <1600>	
1	0	0	1	reg <1601>	
1	0	1	0	reg <1602>	
1	0	1	1	reg <1603>	
1	1	0	0	reg <1604>	
1	1	0	1	reg <1605>	
1	1	1	0	reg <1606>	
1	1	1	1	reg <1607>	MSB

Each Macrocell, when programmed for a LUT function, uses a 16-bit register to define their output function:

*4-Bit LUT0 is defined by reg<1591:1576>*

*4-Bit LUT1 is defined by reg<1607:1592>*

Table 75. 4-bit LUT Standard Digital Functions

Function	MSB															LSB
AND-4	1	0	0	0	0	0	0	0	0	0	0	0	0	0	0	0
NAND-4	0	1	1	1	1	1	1	1	1	1	1	1	1	1	1	1
OR-4	1	1	1	1	1	1	1	1	1	1	1	1	1	1	1	0
NOR-4	0	0	0	0	0	0	0	0	0	0	0	0	0	0	0	1
XOR-4	0	1	1	0	1	0	0	1	1	0	0	1	0	1	1	0
XNOR-4	1	0	0	1	0	1	1	0	0	1	1	0	1	0	0	1



### 9.6.3 4-Bit LUT or 16-Bit Counter / Delay Macrocells Used as 16-Bit Counter / Delay Register Settings

**Table 76. CNT/DLY0 Register Settings**

Signal Function	Register Bit Address	Register Definition
LUT4_0 or Counter0 Select	reg<1193>	0: LUT4_0 1: Counter0
Delay0 Mode Select or asynchronous counter reset	reg<1313:1312>	00: on both falling and rising edges (for delay & counter reset) 01: on falling edge only (for delay & counter reset) 10: on rising edge only (for delay & counter reset) 11: no delay on either falling or rising edges / counter high level reset
Counter/delay0 Clock Source Select	reg<1316:1314>	000: Internal OSC clock 001: OSC/4 010: OSC/12 011: OSC/24 100: OSC/64 101: 25 MHz OSC clock 110: External Clock 111: Counter6 Overflow
CNT0/FSM0's Q are Set to data or Reset to 0s Selection	reg<1317>	0: Reset to 0s 1: Set to control data
Counter/delay0 Mode Selection	reg<1319:1318>	00: Delay mode 01: One Shot 10: Freq. Detect 11: Counter mode
Counter/delay0 Control Data	reg<1591:1576>	1 - 16535

**Table 77. CNT/DLY1 Register Settings**

Signal Function	Register Bit Address	Register Definition
LUT4_1 or Counter1 Select	reg<1192>	0: LUT4_1 1: Counter1
Delay1 Mode Select or asynchronous counter reset	reg<1321:1320>	00: on both falling and rising edges (for delay & counter reset) 01: on falling edge only (for delay & counter reset) 10: on rising edge only (for delay & counter reset) 11: no delay on either falling or rising edges / counter high level reset
Counter/delay1 Clock Source Select	reg<1324:1322>	000: Internal OSC clock 001: OSC/4 010: OSC/12 011: OSC/24 100: OSC/64 101: 25 MHz OSC clock 110: External Clock 111: Counter0 Overflow
CNT0/FSM0's Q are Set to data or Reset to 0s Selection	reg<1325>	0: Reset to 0s 1: Set to control data
Counter/delay1 Mode Selection	reg<1327:1326>	00: Delay mode 01: One Shot 10: Freq. Detect 11: Counter mode
Counter/delay1 Control Data	reg<1607:1592>	1 - 16535



9.7 CNT/DLY/FSM Timing Diagrams

9.7.1 Delay mode (edge select: both, counter data: 3) CNT/DLY2...CNT/DLY6

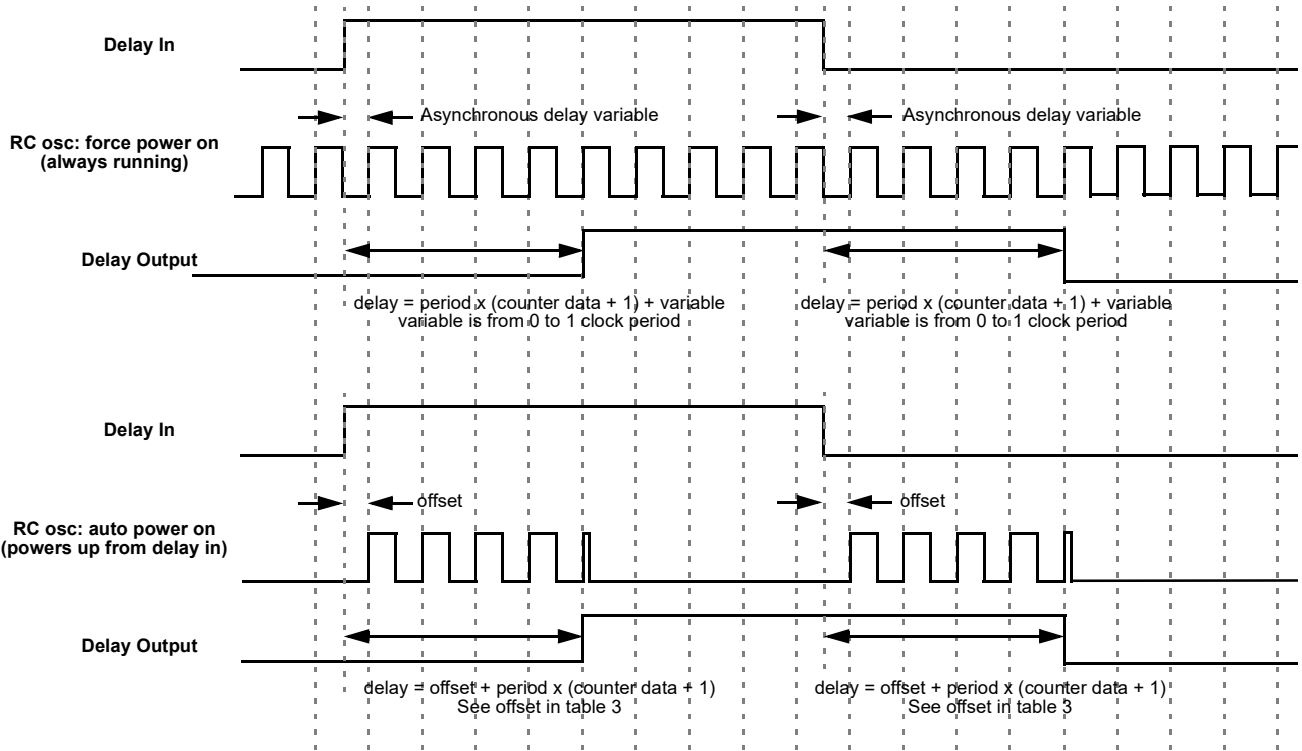


Figure 36. Delay Mode Timing Diagram

9.7.2 Count mode (count data: 3), Counter reset (rising edge detect) CNT/DLY2...CNT/DLY6

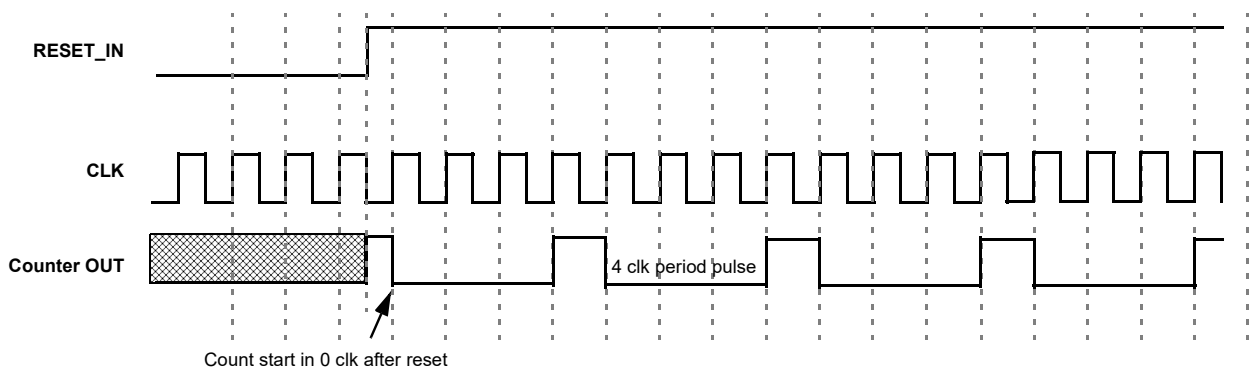


Figure 37. Counter Mode Timing Diagram



9.7.3 One-shot mode CNT/DLY0...CNT/DLY6

This macrocell will generate a pulse whenever a selected edge is detected on its input. Register bits set the edge selection. The pulse width determines by counter data and clock selection properties. The output pulse polarity (non-inverted or inverted) is selected by register bit. See *Table 78*. Any incoming edges will be ignored during the pulse width generation. The following diagram shows one-shot function for non-inverted output.

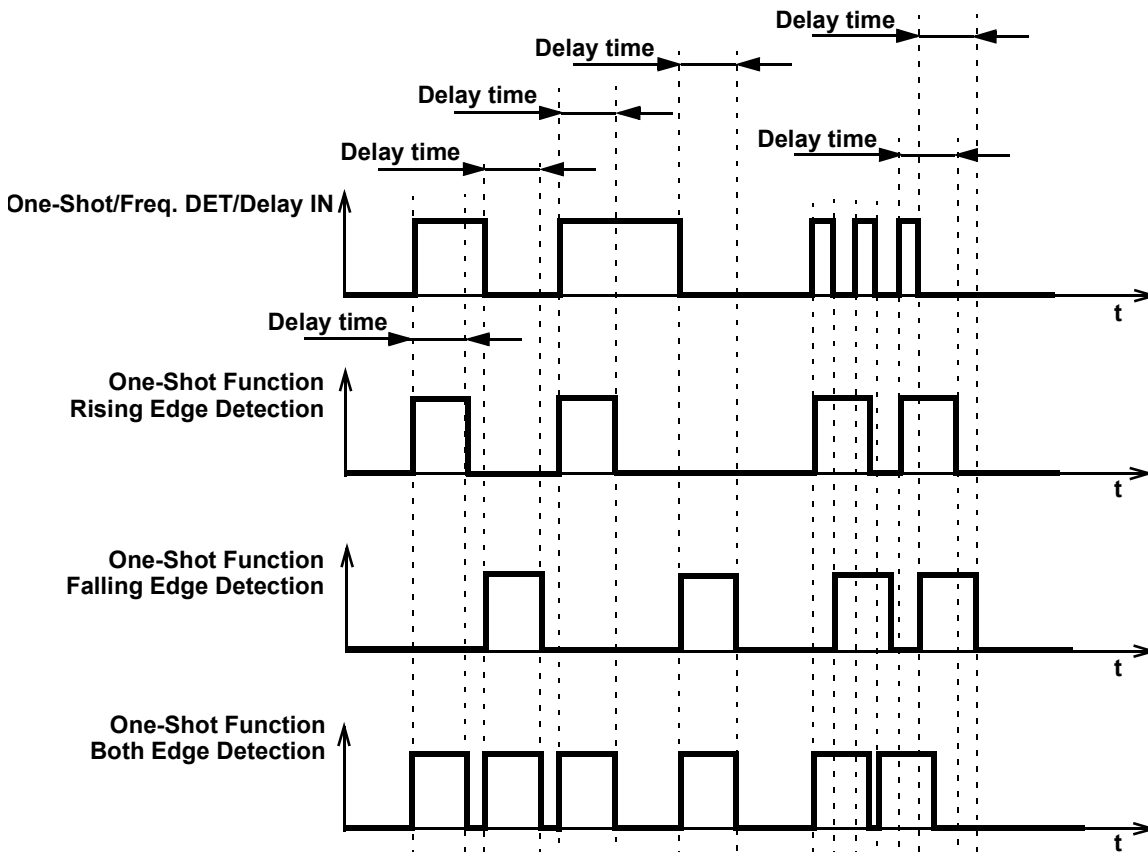


Figure 38. One-Shot Function Timing Diagram

**Table 78. DLY/CNTx One-Shot / Freq. Detect Output Polarity**

Address		Signal Function	Register Bit Definition	I <sup>2</sup> C Interface	
Byte	Register Bit			Read	Write
A6	reg<1329>	Select the Polarity of DLY/CNT6's One Shot / Freq. Detect Output	0: Default Output 1: Inverted Output	Valid	Valid
	reg<1330>	Select the Polarity of DLY/CNT5's One Shot / Freq. Detect Output	0: Default Output 1: Inverted Output	Valid	Valid
	reg<1331>	Select the Polarity of DLY/CNT4's One Shot / Freq. Detect Output	0: Default Output 1: Inverted Output	Valid	Valid
	reg<1332>	Select the Polarity of DLY/CNT3's One Shot / Freq. Detect Output	0: Default Output 1: Inverted Output	Valid	Valid
	reg<1333>	Select the Polarity of DLY/CNT2's One Shot / Freq. Detect Output	0: Default Output 1: Inverted Output	Valid	Valid
	reg<1334>	Select the Polarity of DLY/CNT1's One Shot / Freq. Detect Output	0: Default Output 1: Inverted Output	Valid	Valid
	reg<1335>	Select the Polarity of DLY/CNT0's One Shot / Freq. Detect Output	0: Default Output 1: Inverted Output	Valid	Valid

This macrocell generates a high level pulse with a set width (defined by counter data) when detecting the respective edge. It does not restart while pulse is high.

#### 9.7.4 Frequency Detection Mode CNT/DLY0...CNT/DLY6

**Rising Edge:** The output goes high if the time between two successive edges is less than the delay. The output goes low if the second rising edge has not come after the last rising edge in specified time.

**Falling Edge:** The output goes high if the time between two falling edges is less than the set time. The output goes low if the second falling edge has not come after the last falling edge in specified time.

**Both Edge:** The output goes high if the time between the rising and falling edges is less than the set time, which is equivalent to the length of the pulse. The output goes low if after the last rising/falling edge and specified time, the second edge has not come.



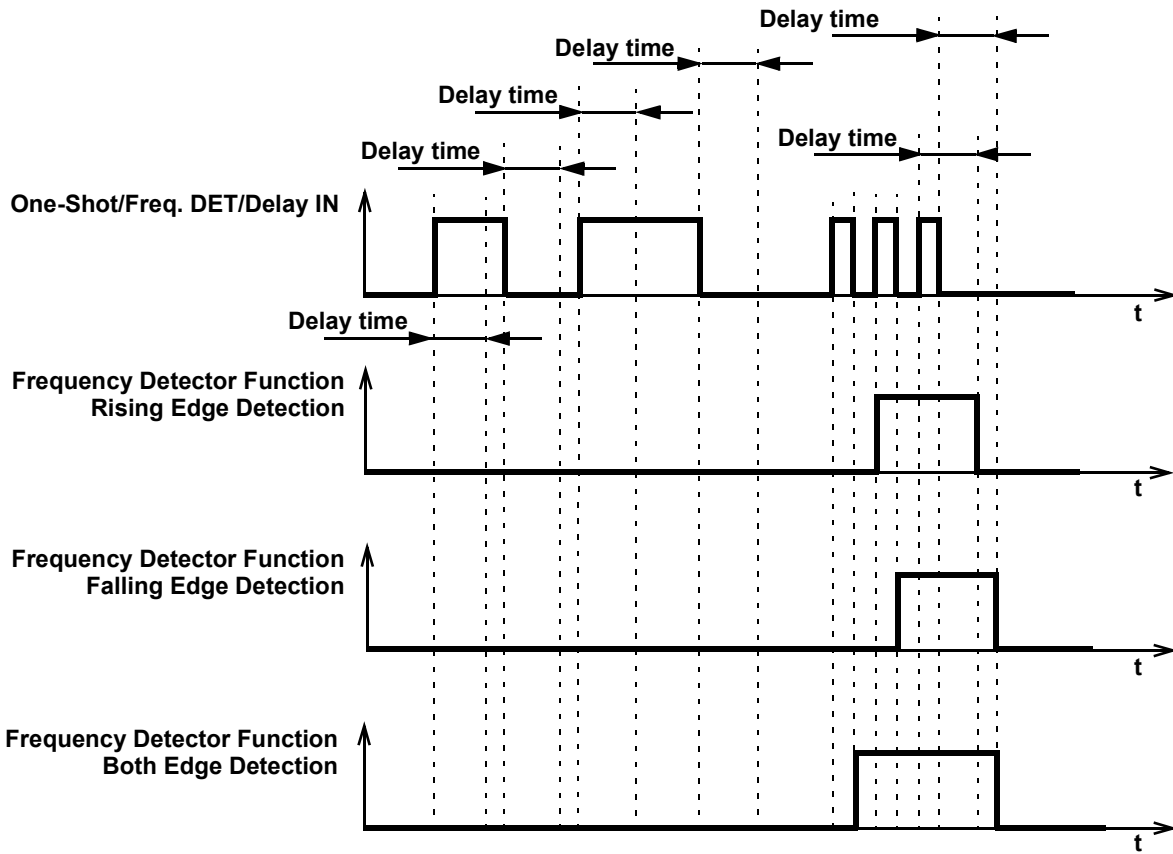


Figure 39. Frequency Detection Mode Timing Diagram



### 9.7.5 Edge Detection Mode CNT/DLY2...CNT/DLY6

The macrocell generates high level short pulse when detecting the respective edge. See Table 4. Expected Delays and Widths (typical).

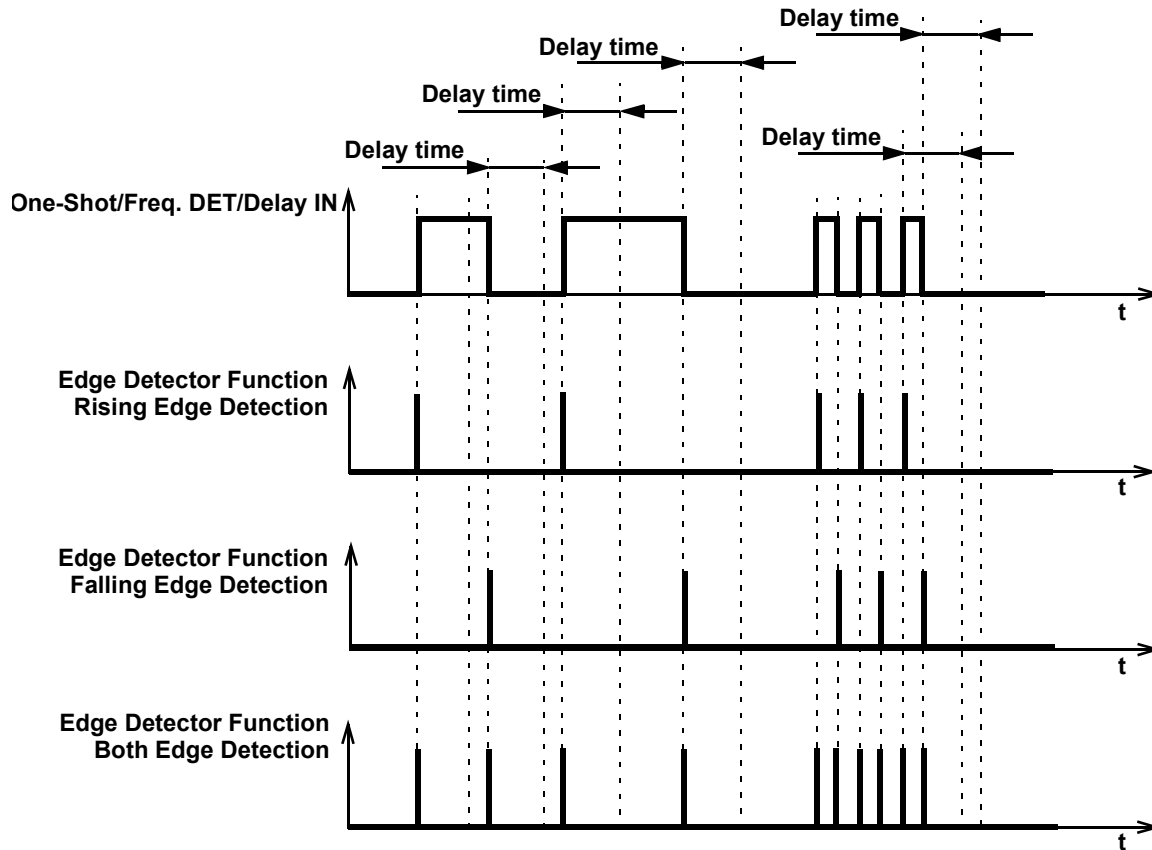


Figure 40. Edge Detection Mode Timing Diagram



## 9.7.6 Delay Mode CNT/DLY0...CNT/DLY6

The macrocell shifts the respective edge to a set time and restarts by appropriate edge. It works as a filter if the input signal is shorter than the delay time.

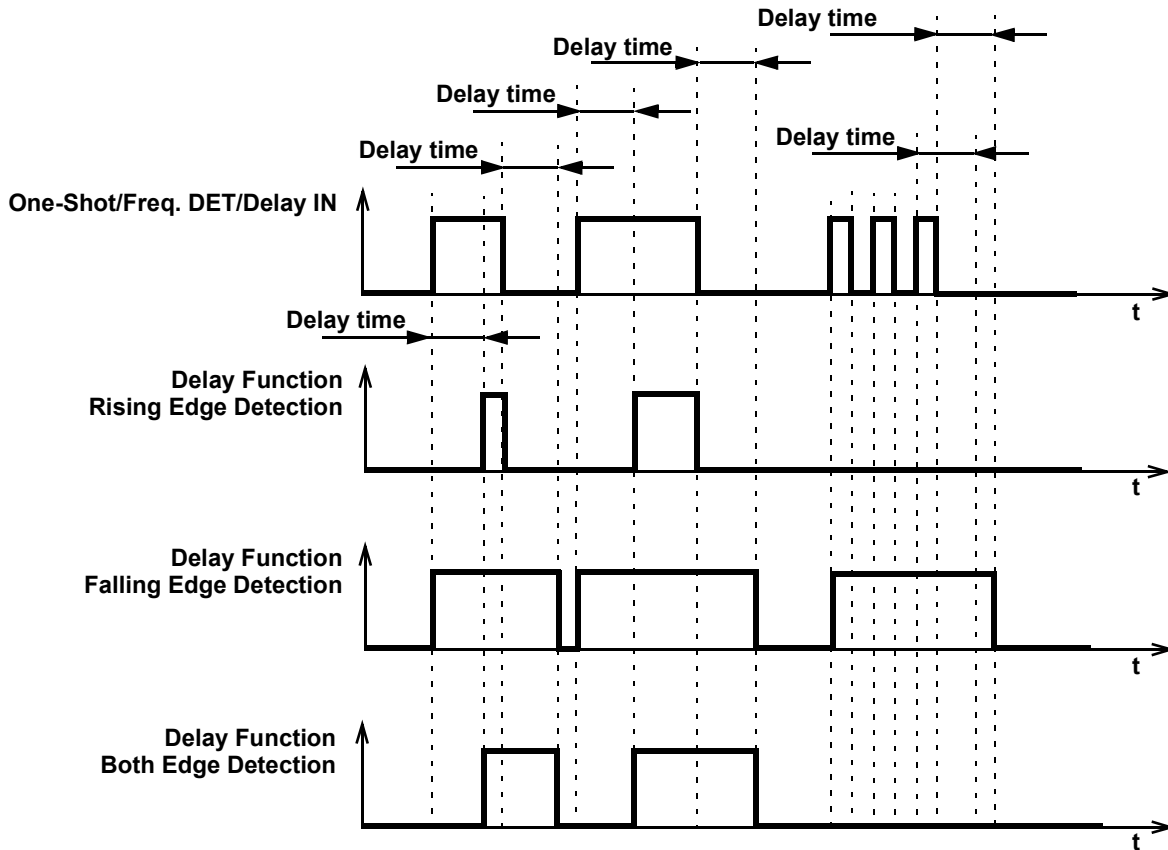


Figure 41. Delay Mode Timing Diagram



9.7.7 CNT/FSM Mode CNT/DLY0, CNT/DLY1

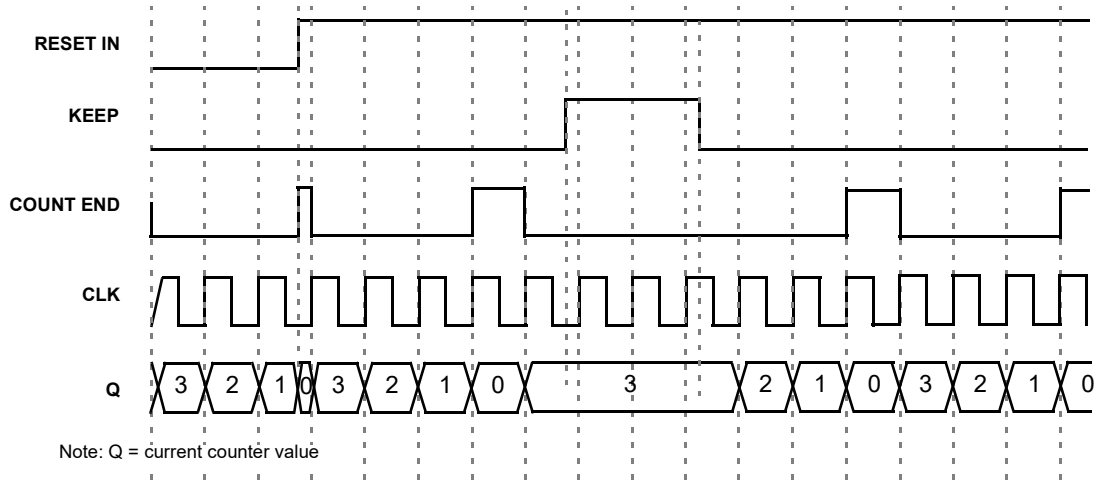


Figure 42. CNT/FSM Timing Diagram (reset rising edge mode, oscillator is forced on, UP=0) for counter data = 3

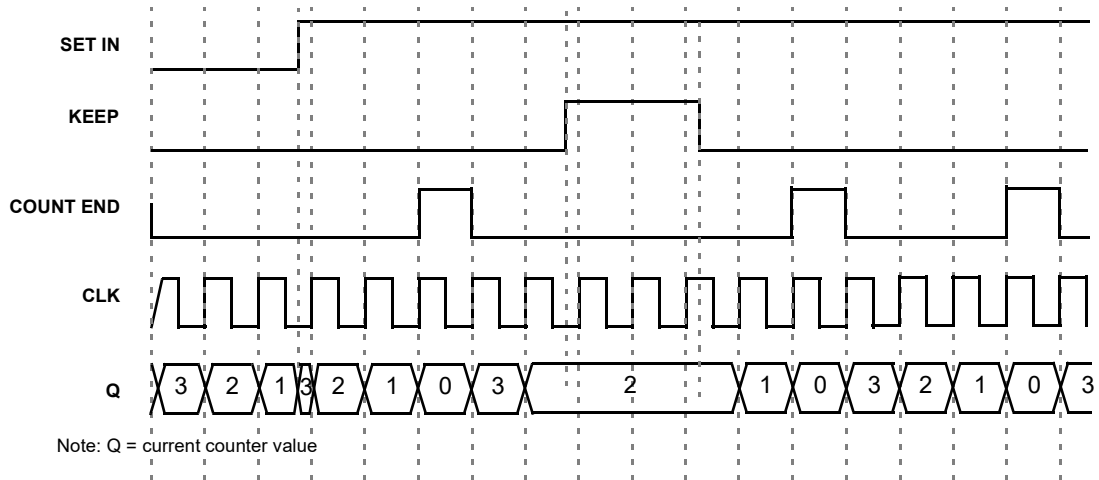


Figure 43. CNT/FSM Timing Diagram (set rising edge mode, oscillator is forced on, UP=0) for counter data = 3

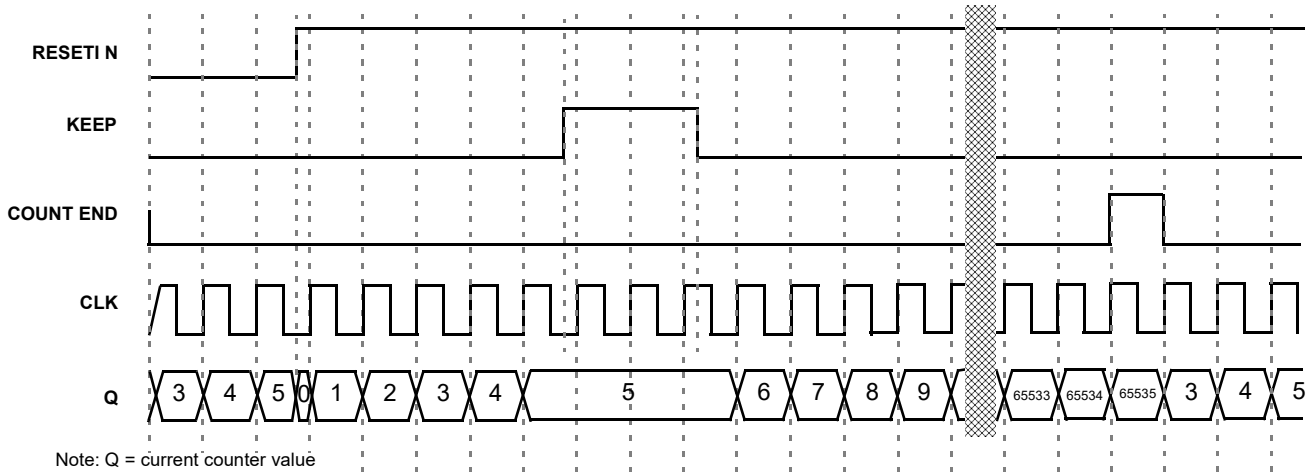


Figure 44. CNT/FSM Timing Diagram (reset rising edge mode, oscillator is forced on, UP=1) for counter data = 3

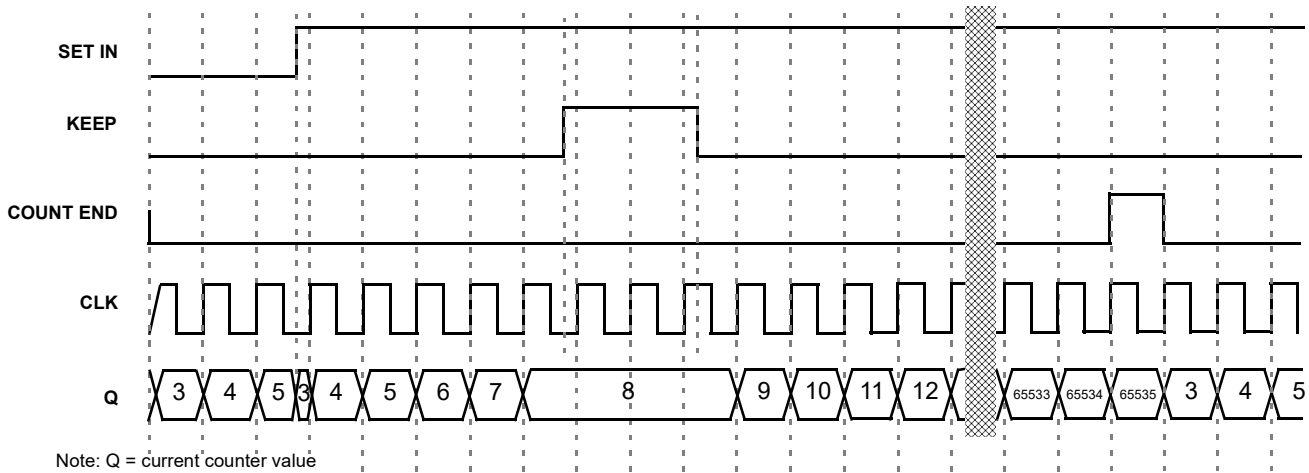


Figure 45. CNT/FSM Timing Diagram (set rising edge mode, oscillator is forced on, UP=1) for counter data = 3



### 9.7.8 Difference in Counter Value for Counter, Delay, One-Shot and Frequency Detect Modes

There is a difference in counter value for Counter and Delay/One-Shot/Frequency Detect modes. The counter value is shifted for two rising edges of the clock signal in Delay/One-Shot/Frequency Detect modes compared to Counter mode. See *Figure 46*.

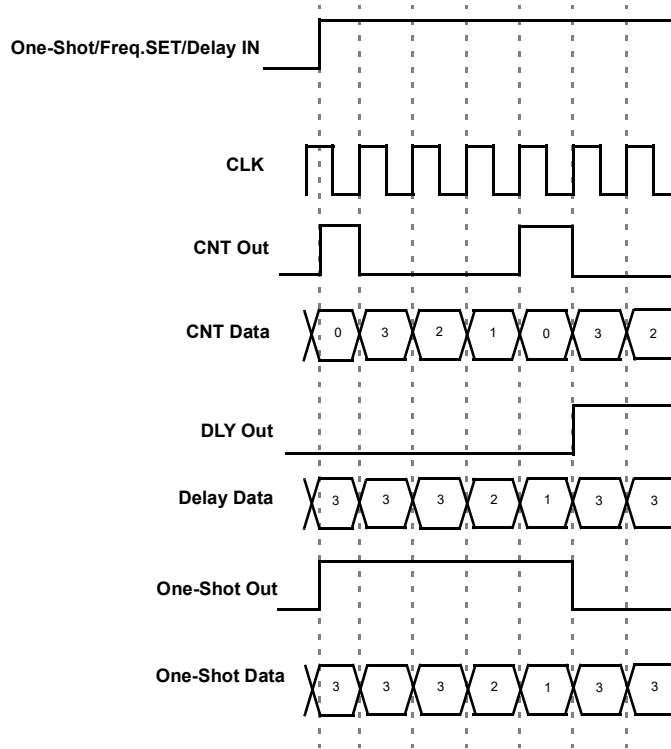


Figure 46. Counter Value, Counter Data = 3

### 9.8 2-bit LUT or Programmable Pattern Generator

The SLG46536 has one combination function macrocell that can serve as a logic or timing function. This macrocell can serve as a Look Up Table (LUT), or Programmable Pattern Generator (PGEN).

When used to implement LUT functions, the 2-bit LUT takes in two input signals from the connection matrix and produce a single output, which goes back into the connection matrix. When used as a LUT to implement combinatorial logic functions, the outputs of the LUTs can be configured to any user defined function, including the following standard digital logic devices (AND, NAND, OR, NOR, XOR, XNOR). The user can also define the combinatorial relationship between inputs and outputs to be any selectable function.

When operating as a Programmable Pattern Generator, the output of the macrocell with clock out a sequence of two to sixteen bits that are user selectable in their bit values, and user selectable in the number of bits (up to sixteen) that are output before the pattern repeats. See figure *Figure 48*.

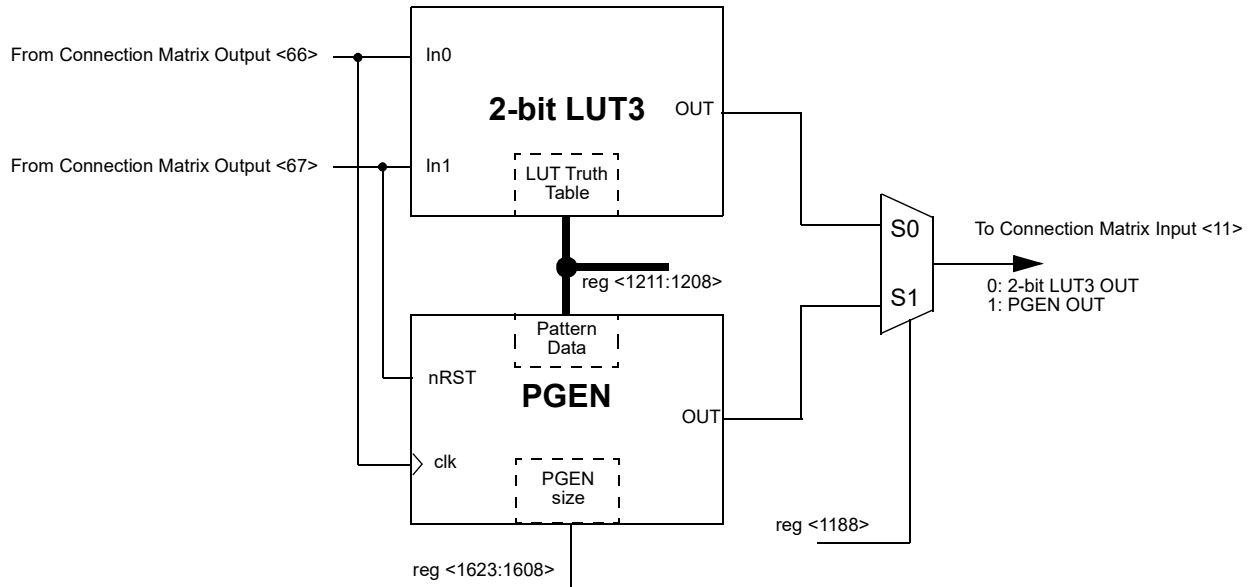


Figure 47. 2-bit LUT2 or PGEN

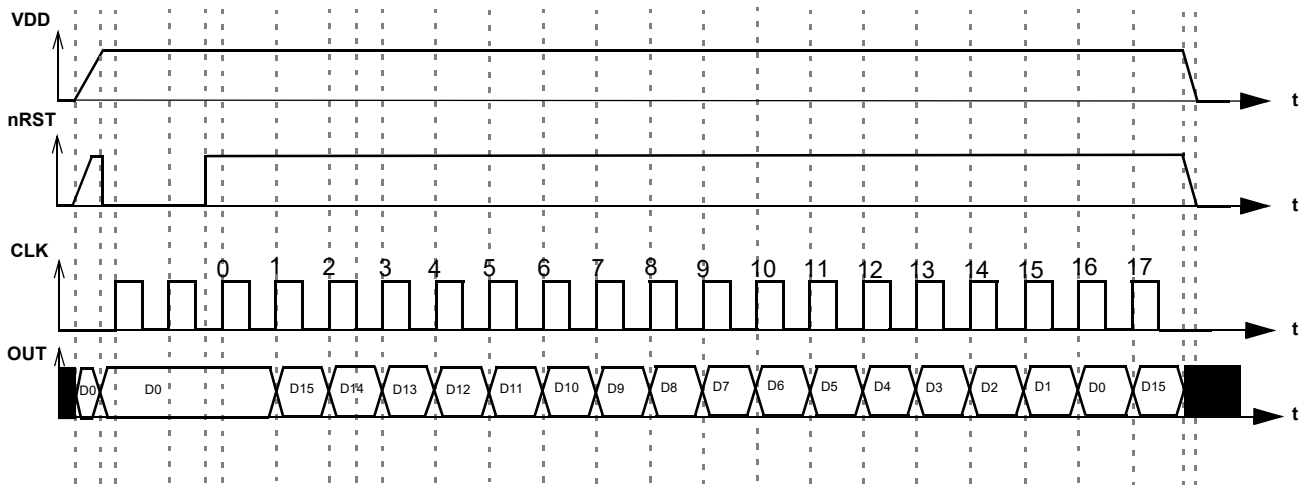


Figure 48. PGEN Timing Diagram



## 9.9 Wake and Sleep controller (WS)

The SLG46536 has a Wake and Sleep function for all ACMPs. The macrocell CNT/DLY0 can be reconfigured for this purpose `reg<1319:1318>=11` and `reg<1495>=1`. The WS serves for power saving, it allows to switch on and off selected ACMPs on selected bit of 16-bit counter.

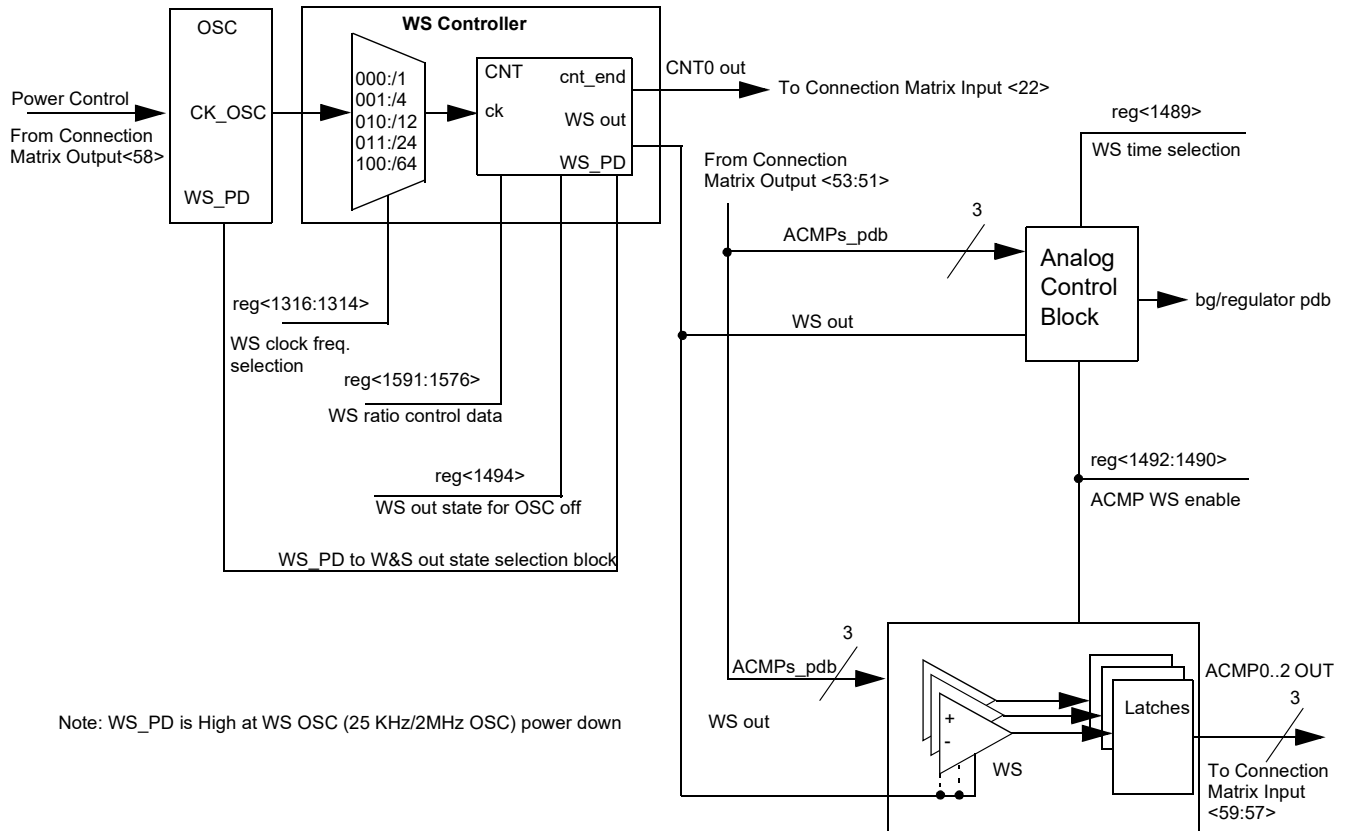


Figure 49. WS controller

To use any ACMP under WS controller the following settings must be done:

- ACMP Power Up Input from matrix = 1 (for each ACMP separately);
- CNT/DLY0 must be set to Wake and Sleep Controller function (for all ACMPs);
- Register WS => enable (for each ACMP separately);
- CNT/DLY0 set/reset input = 0 (for all ACMPs);
- In case of using OSC1 (25 MHz), OSC0 must be set to Force Power On.

As the OSC any oscillator with any pre divider can be used. The user can select a period of time while the ACMPs are sleeping in a range of 1 - 65535 clock cycles. Before they are sent to sleep their outputs are latched so the ACMPs remain their state (High or Low) while sleeping.

WS controller has the following settings:

- Wake and Sleep Output State (High/Low)





If OSC is powered off (Power Down option is selected; power down input = 1) and Wake and Sleep Output State = High, the ACMP is continuously on

If OSC is powered off (Power Down option is selected; power down input = 1) and Wake and Sleep Output State = Low, the ACMP is continuously off

Both cases WS function is turned off

- Counter Data (Range: 1 - 65535)  
User can select wake and sleep ratio of the ACMP; counter data = sleep time, one clock = wake time
- Q mode - defines the state of WS counter data when Set/Reset signal appears  
Reset - when active signal appears, the WS counter will reset to zero and High level signal on its output will turn the ACMPs on. When Reset signal goes out, the WS counter will go Low and turn the ACMPs off until the counter counts up to the end  
Set - when active signal appears, the WS counter will stop and Low level signal on its output will turn the ACMPs off. When Set signal goes out, the WS counter will go on counting and High level signal will turn the ACMPs on while counter is counting up to the end
- Edge Select defines the edge for Q mode  
High level Set/Reset - switches mode Set/Reset when level is High  
Note: Q mode operates only in case of "High Level Set/Reset"
- Wake time selection - time required for wake signal to turn the ACMPs on  
Normal Wake Time - when WS signal is High, it takes a BG time (100/550  $\mu$ s) to turn the ACMPs on They will stay on until WS signal is Low again. Wake time is one clock period. It should be longer than BG turn on time and minimal required comparing time of the ACMP  
Short Wake Time - when WS signal is High, it takes a BG time (100/550  $\mu$ s) to turn the ACMPs on. They will stay on for 1  $\mu$ s and turn off regardless of WS signal. The WS signal width does not matter.
- Keep - pauses counting while Keep = 1
- Up - reverses counting  
If Up = 1, CNT is counting up from user selected value to 65535  
If Up = 0, CNT is counting down from user selected value to 0



## 9.9.1 WS Register Settings

Table 79. WS Register Settings

Signal Function	Register Bit Address	Register Definition
Counter/delay0 Clock Source Select	reg<1316:1314>	000: Internal OSC clock 001: OSC/4 010: OSC/12 011: OSC/24 100: OSC/64 101: 25 MHz OSC clock 110: External Clock 111: Counter6 Overflow
WS time selection	reg<1489>	0: Short Wake Time 1: Normal Wake Time
ACMP0 Wake & Sleep function Enable	reg<1490>	0: Disable 1: Enable
ACMP1 Wake & Sleep function Enable	reg<1491>	0: Disable 1: Enable
ACMP2 Wake & Sleep function Enable	reg<1492>	0: Disable 1: Enable
Wake Sleep Output State When WS Oscillator is Power Down if DLY/CNT0 Mode Selection is "11"	reg<1494>	0: Low 1: High
Wake Sleep Ratio Control Mode Selection if DLY/CNT0 Mode Selection is "11"	reg<1495>	0: Default Mode 1: Wake Sleep Ratio Control Mode
DLY/CNT0 (16bits, <15:0> = <1591:1576>) Control Data	reg<1591:1576>	1 - 65535



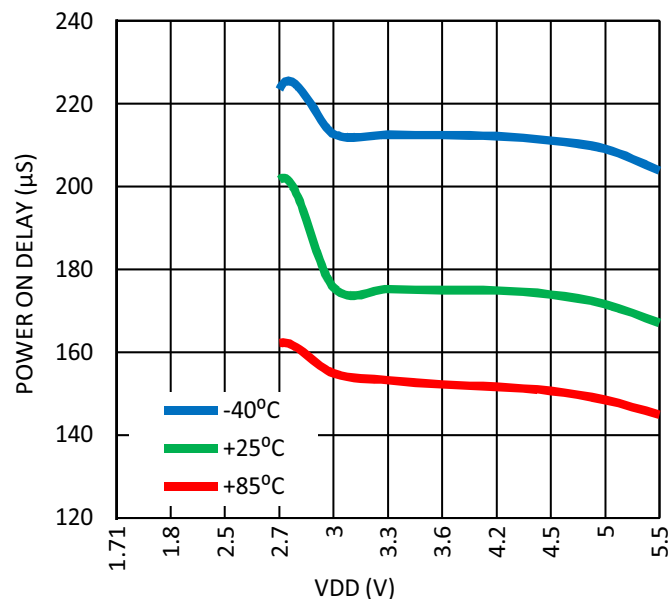
### 10.0 Analog Comparators (ACMP)

There are three Analog Comparator (ACMP) macrocells in the SLG46536. In order for the ACMP cells to be used in a GreenPAK design, the power up signals (ACMPx\_pdb) need to be active. By connecting to signals coming from the Connection Matrix, it is possible to have each ACMP be always on, always off, or power cycled based on a digital signal coming from the Connection Matrix. Also, all ACMPs have Wake and Sleep function (WS), see section 9.9 *Wake and Sleep controller (WS)*. When ACMP is powered down, output is low.

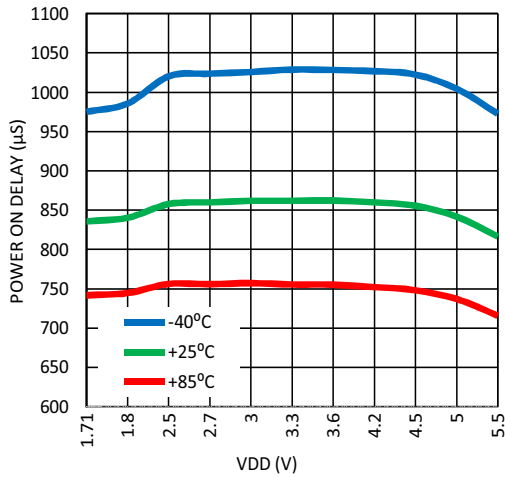
PWR UP = 1 => ACMP is powered up.  
PWR UP = 0 => ACMP is powered down.

During ACMP power up, its output will remain low, and then becomes valid 1.03 ms (max) after ACMP power up signal goes high, see *Figure 51*. If VDD is greater or equal to 2.7 V, it is possible to decrease turn-on time by setting the BG ok delay to 100  $\mu$ s, see *Figure 52*. The ACMP cells have an input "Low bandwidth" signal selection, which can be used to save power and reduce noise impact when lower bandwidth signals are being compared. To ensure proper chip startup operation, it is recommended to enable the ACMPs with the POR signal, and not the VDD signal.

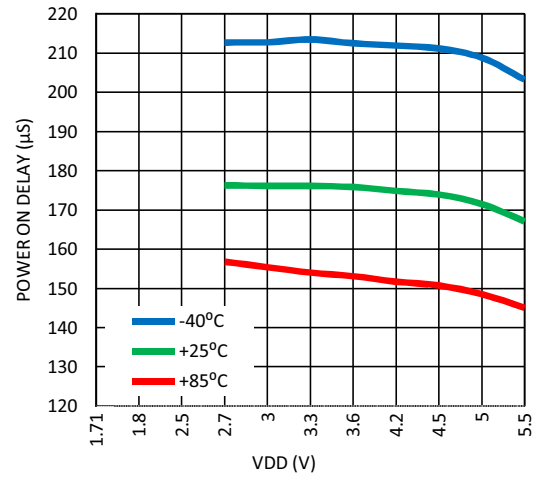
*Note: Regulator and Charge Pump set to automatic ON/OFF.*



**Figure 50. Maximum Power On Delay vs. VDD, BG = Auto-delay.**



**Figure 51. Maximum Power On Delay vs. VDD, BG = 550 μs.**



**Figure 52. Maximum Power On Delay vs. VDD, BG = 100 μs.**

Each of the ACMP cells has a positive input signal that can be provided by a variety of external sources. There is also a selectable gain stage (1X, 0.5X, 0.33X, 0.25X) before connection to the analog comparator. The Gain divider is unbuffered and consists of 250 KΩ (typ.) resistors, see *Table 80*. For gain divider accuracy refer to *Table 81*. IN- voltage range: 0 - 1.2 V. Can use Vref selection VDD/4 and VDD/3 to maintain this input range.

Input bias current < 1 nA (typ).

**Table 80. Gain Divider Input Resistance**

Gain	x1	x0.5	x0.33	x0.25
Input Resistance	100 MΩ	1 MΩ	0.75 MΩ	1 MΩ

**Table 81. Gain Divider Accuracy**

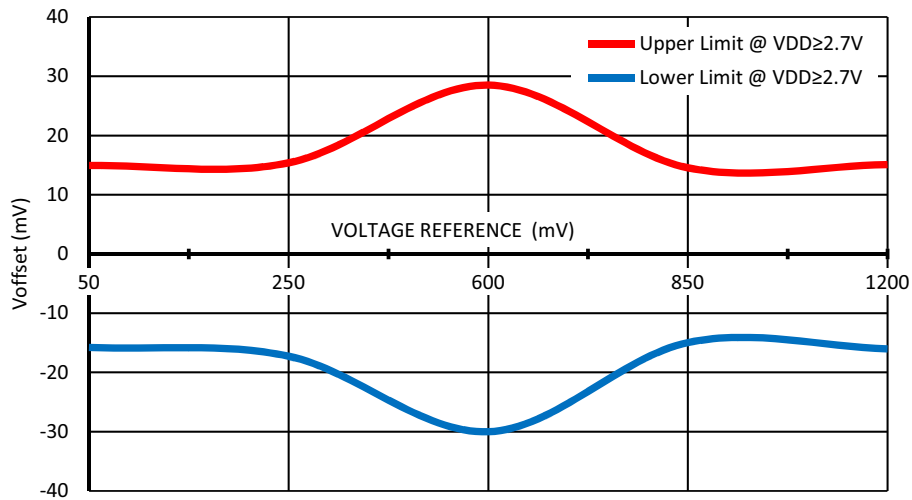
Gain	x0.5	x0.33	x0.25
Accuracy	±0.51%	±0.34%	±0.25%

Each cell also has a hysteresis selection, to offer hysteresis of 0 mV, 25 mV, 50 mV or 200 mV. The 50 mV and 200 mV hysteresis options can be used with internal voltage reference only, while 25 mV hysteresis option can be used with both internal and external voltage reference. The 50 mV and 200 mV hysteresis options are one way hysteresis. It means that the actual thresholds will be Vref (high threshold) and Vref - hysteresis (low threshold). The ACMP output will retain its previous value, if the input voltage is within threshold window (between Vref and Vref - hysteresis). Please note: for the 25 mV hysteresis option threshold levels will be Vref + hysteresis/2 (high threshold) and Vref - hysteresis/2 (low threshold).

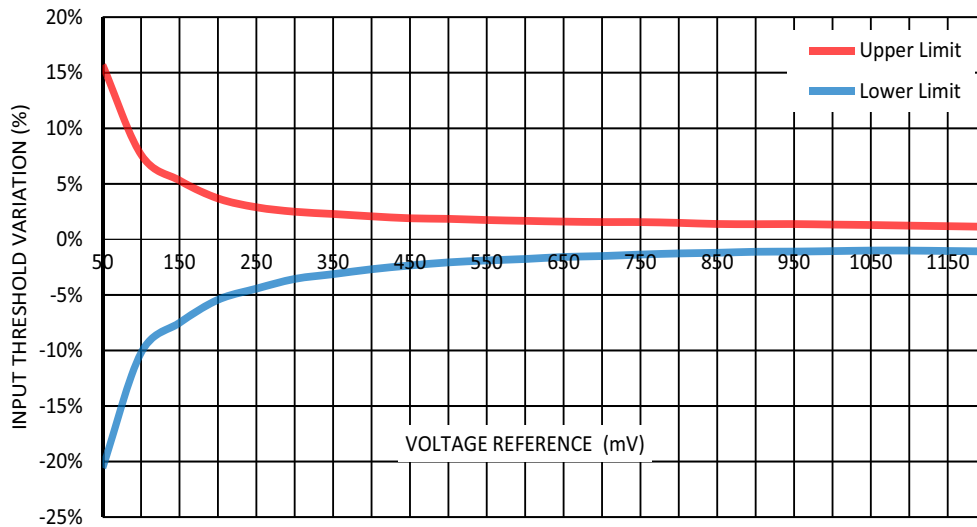
Note: Any ACMP powered on enables the BandGap internal circuit as well. An analog voltage will appear on Vref even when the Force BandGap option is set as Disabled.



For high input impedance when using the gain divider (x0.25, x0.33, x0.5), it is possible to use the input buffer. However, this will add some offset, see *Figure 53*. It is not recommended to use ACMP buffer when  $VDD < 2.5\text{ V}$ .



**Figure 53. Typical Buffer Input Voltage Offset vs. Voltage Reference at  $T = (-40... +85)^{\circ}\text{C}$ , Buffer Bandwidth = 1 kHz,  $V_{\text{hys}} = 0\text{ mV}$ , Gain = 1.**



**Figure 54. Typical Input Threshold Variation (including  $V_{\text{ref}}$  variation, ACMP offset) vs. Voltage Reference at  $T = (-40... +85)^{\circ}\text{C}$ , LMB Mode - Disable,  $V_{\text{hys}} = 0\text{ mV}$ .**

*Note: when  $VDD < 1.8\text{ V}$  voltage reference should not exceed 1100 mV.*



Table 82. Built-in Hysteresis Tolerance at T = 25°C

V <sub>hys</sub> (mV)	VDD=(1.7-1.8) V						VDD=(1.89-5.5) V					
	Vref = (50-500) mV		Vref = (550-1000) mV		Vref = (1050-1200) mV		Vref = (50-500) mV		Vref = (550-1000) mV		Vref = (1050-1200) mV	
	min	max	min	max	min	max	min	max	min	max	min	max
25	8.6	32.2	8.6	32.3	7.0	32.5	8.5	32.3	8.5	32.3	7.8	34.0
50	44.8	56.5	43.9	56.7	42.7	56.4	44.2	56.8	43.6	57.3	43.1	56.0
200	192.8	207.9	194.0	208.0	192.7	205.4	192.0	208.6	193.0	209.5	190.8	207.7

10.1 ACMP0 Block Diagram

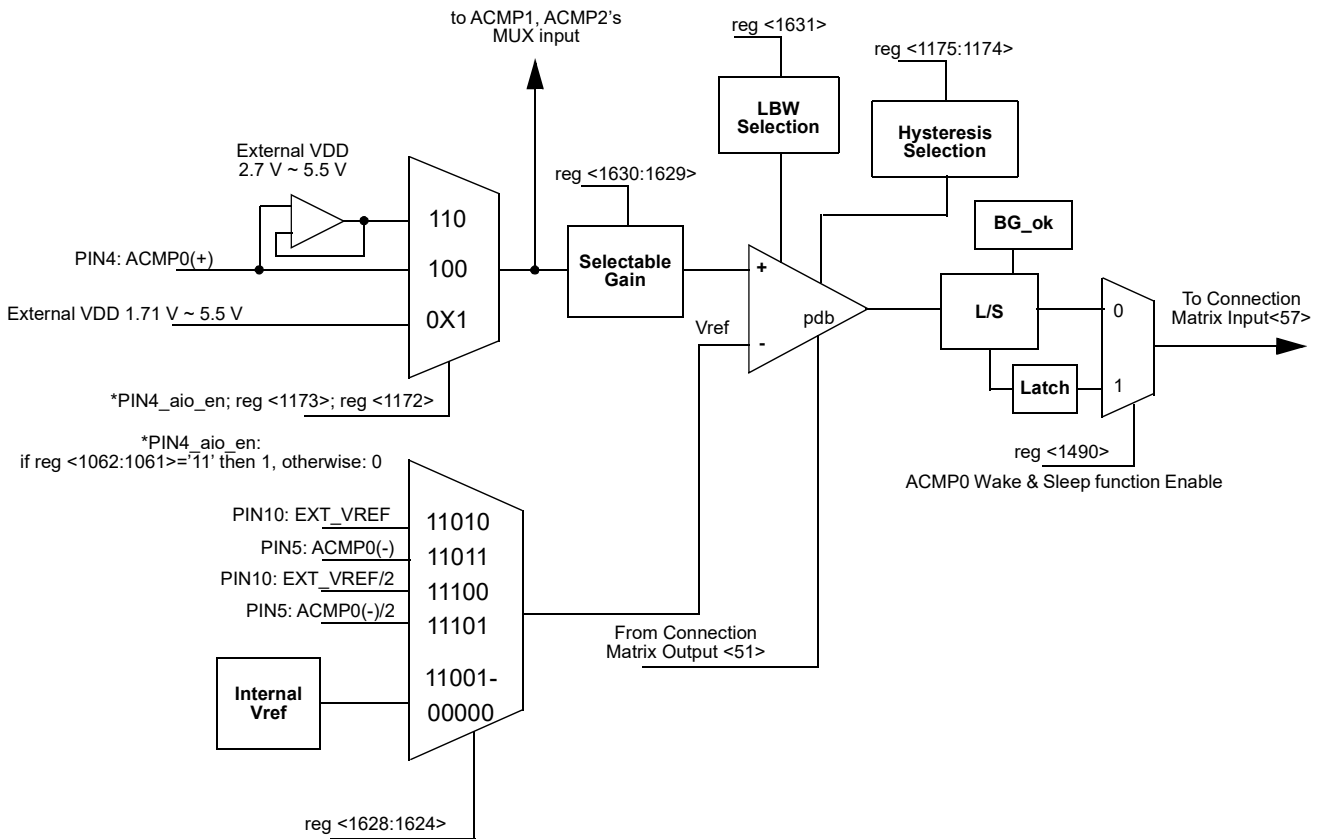


Figure 55. ACMP0 Block Diagram



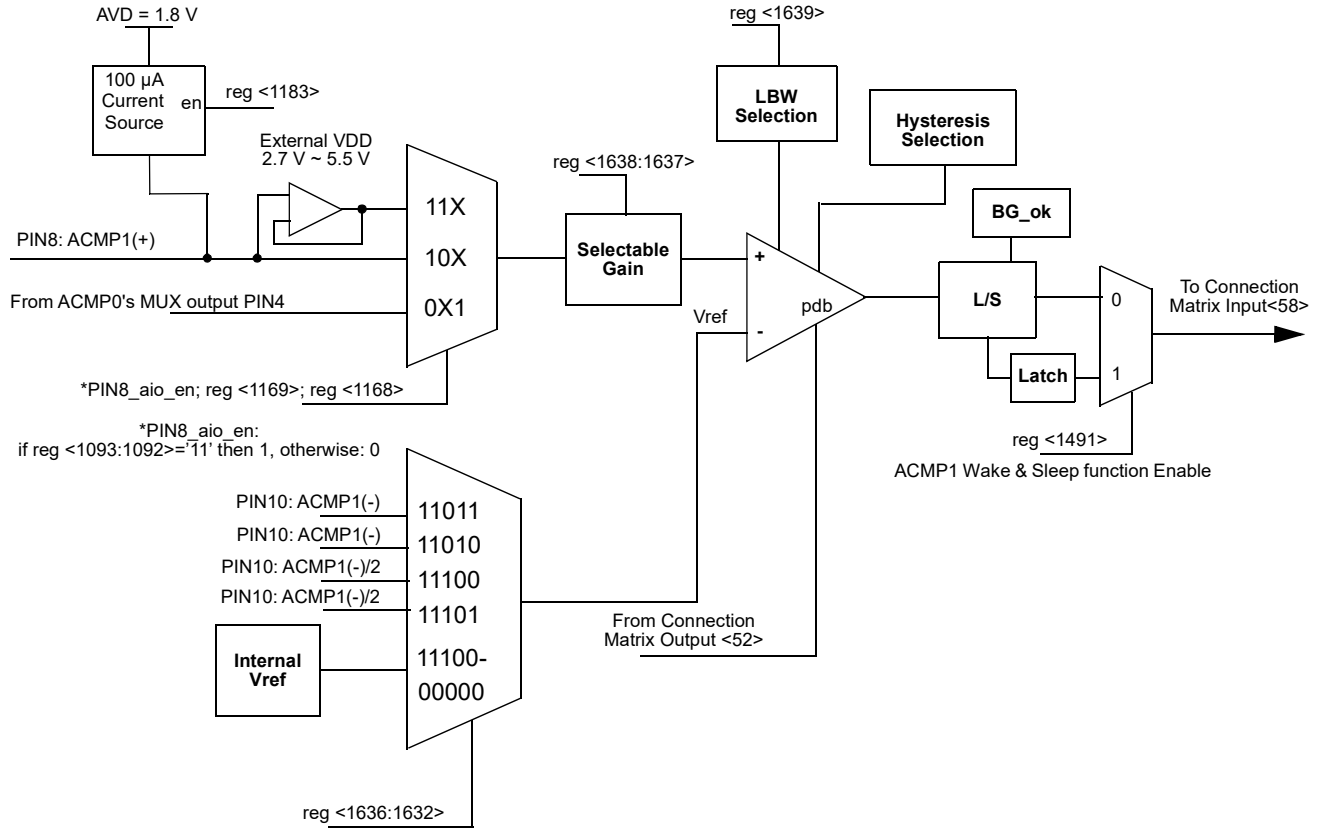
## 10.2 ACMP0 Register Settings

Table 83. ACMP0 Register Settings

Signal Function	Register Bit Address	Register Definition
ACMP0 Positive Input Source Select	reg<1172>	0: IO4 1: VDD
ACMP0 Analog Buffer Enable	reg<1173>	0: Disable analog buffer 1: Enable analog buffer
ACMP0 Hysteresis Enable	reg<1175:1174>	00: Disabled (0 mV) 01: Enabled (25 mV) 10: Enabled (50 mV) 11: Enabled (200 mV)  (01: for both external & internal VREF; 10 & 11: for only internal VREF; External VREF will not have 50mV & 200mV hysteresis.)
ACMP0 Wake & Sleep function Enable	reg<1490>	0: Disable 1: Enable
ACMP0 Negative Input Voltage Select	reg<1628:1624>	00000: 50 mV    00001: 100 mV 00010: 150 mV    00011: 200 mV 00100: 250 mV    00101: 300 mV 00110: 350 mV    00111: 400 mV 01000: 450 mV    01001: 500 mV 01010: 550 mV    01011: 600 mV 01100: 650 mV    01101: 700 mV 01110: 750 mV    01111: 800 mV 10000: 850 mV    10001: 900 mV 10010: 950 mV    10011: 1 V 10100: 1.05 V    10101: 1.1 V 10110: 1.15 V    10111: 1.2 V 11000: VDD/3    11001: VDD/4 11010: PIN10: EXT_VREF 11011: PIN5: ACMP0- 11100: PIN10: EXT_VREF/2 11101: PIN5: ACMP0-/2
ACMP0 Positive Input Divider	reg<1630:1629>	00: 1.00X 01: 0.50X 10: 0.33X 11: 0.25X
ACMP0 Low Bandwidth (Max: 1 MHz) Enable	reg<1631>	0: Off 1: On



10.3 ACMP1 Block Diagram



Note: when 100 μA Current Source is enabled input voltage on Pin 8 should not exceed 1.8 V

Figure 56. ACMP1 Block Diagram





## 10.4 ACMP1 Register Settings

Table 84. ACMP1 Register Settings

Signal Function	Register Bit Address	Register Definition
ACMP1 100 $\mu$ A Current Source Enable	reg<1183>	0: Disable 1: Enable
ACMP1 Positive Input Source Select	reg<1168>	0: IO8 1: ACMP0 IN+ source
ACMP1 Analog Buffer Enable (max. band width 1 MHz)	reg<1169>	0: Disable analog buffer 1: Enable analog buffer
ACMP1 Hysteresis Enable	reg<1171:1170>	00: Disabled (0 mV) 01: Enabled (25 mV) 10: Enabled (50 mV) 11: Enabled (200 mV)  (01: for both external & internal VREF; 10 & 11: for only internal VREF; External VREF will not have 50 mV & 200 mV hysteresis)
ACMP1 Wake & Sleep function Enable	reg<1491>	0: Disable 1: Enable
ACMP1 Negative Input Voltage Select	reg<1636:1632>	00000: 50 mV    00001: 100 mV 00010: 150 mV    00011: 200 mV 00100: 250 mV    00101: 300 mV 00110: 350 mV    00111: 400 mV 01000: 450 mV    01001: 500 mV 01010: 550 mV    01011: 600 mV 01100: 650 mV    01101: 700 mV 01110: 750 mV    01111: 800 mV 10000: 850 mV    10001: 900 mV 10010: 950 mV    10011: 1 V 10100: 1.05 V    10101: 1.1 V 10110: 1.15 V    10111: 1.2 V 11000: VDD/3    11001: VDD/4 11010: PIN10: EXT_VREF 11011: PIN10: EXT_VREF 11100: PIN10: EXT_VREF/2 11101: PIN10: EXT_VREF/2
ACMP1 Positive Input Divider	reg<1638:1637>	00: 1.00X 01: 0.50X 10: 0.33X 11: 0.25X
ACMP1 Low Bandwidth (Max: 1 MHz) Enable	reg<1639>	0: Off 1: On



10.5 ACMP2 Block Diagram

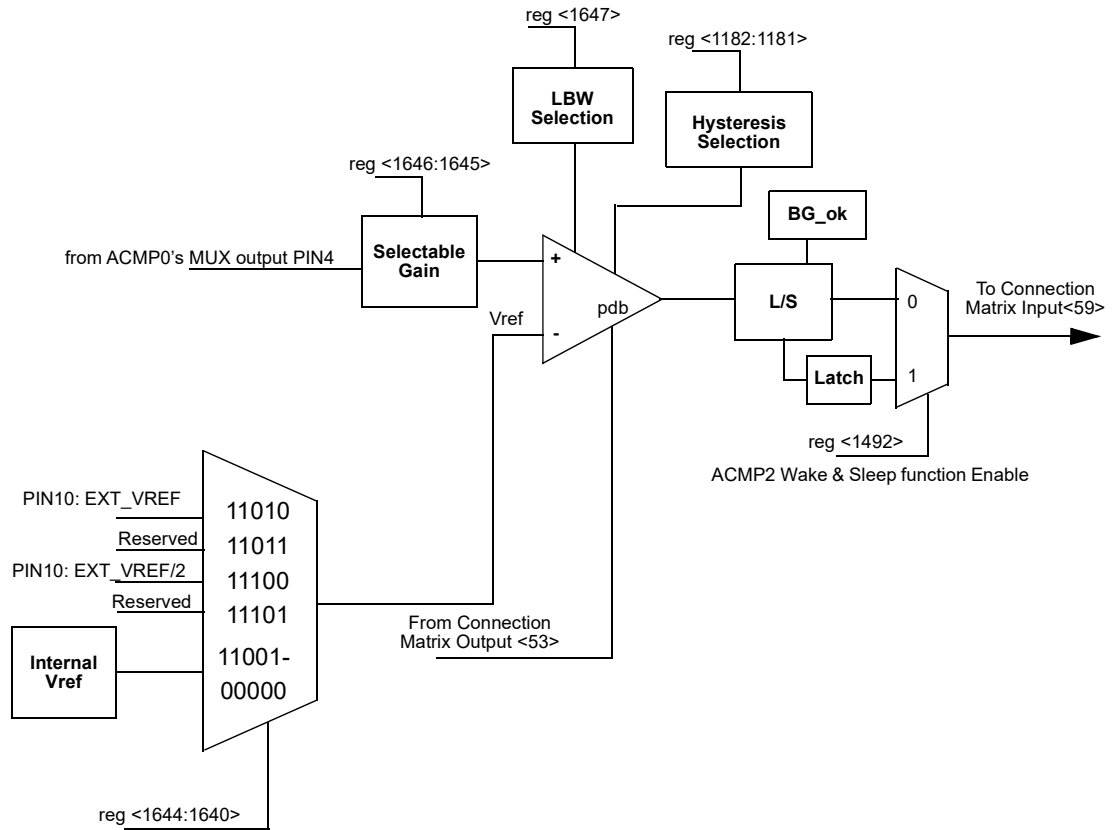


Figure 57. ACMP2 Block Diagram



## 10.6 ACMP2 Register Settings

Table 85. ACMP2 Register Settings

Signal Function	Register Bit Address	Register Definition
ACMP2 Hysteresis Enable	reg<1182:1181>	00: Disabled (0 mV) 01: Enabled (25 mV) 10: Enabled (50 mV) 11: Enabled (200 mV)  (01: for both external & internal VREF; 10 & 11: for only internal VREF; External VREF will not have 50 mV & 200 mV hysteresis)
ACMP2 Wake & Sleep function Enable	reg<1492>	0: Disable 1: Enable
ACMP2 Negative Input Voltage Select	reg<1644:1640>	00000: 50 mV    00001: 100 mV 00010: 150 mV    00011: 200 mV 00100: 250 mV    00101: 300 mV 00110: 350 mV    00111: 400 mV 01000: 450 mV    01001: 500 mV 01010: 550 mV    01011: 600 mV 01100: 650 mV    01101: 700 mV 01110: 750 mV    01111: 800 mV 10000: 850 mV    10001: 900 mV 10010: 950 mV    10011: 1 V 10100: 1.05 V    10101: 1.1 V 10110: 1.15 V    10111: 1.2 V 11000: VDD/3    11001: VDD/4 11010: PIN10: EXT_VREF 11011: Reserved 11100: PIN10: EXT_VREF/2 11101: Reserved
ACMP2 Positive Input Divider	reg<1646:1645>	00: 1.00X 01: 0.50X 10: 0.33X 11: 0.25X
ACMP2 Low Bandwidth (Max: 1 MHz) Enable	reg<1647>	0: Off 1: On



### 11.0 Pipe Delay (PD)

The SLG46536 has a pipe delay logic cell that is shared with the 3-bit LUT10 in one of the Combination Function macrocells. The user can select one of these functions to use in a design, but not both. Please see Section 9.4 *3-Bit LUT or Pipe Delay Macrocell* for the description of this Combination Function macrocell.



### 12.0 Programmable Delay / Edge Detector

The SLG46536 has a programmable time delay logic cell available that can generate a delay that is selectable from one of four timings configured in the GreenPAK Designer. The programmable time delay cell can generate one of four different delay patterns, rising edge detection, falling edge detection, both edge detection and both edge delay. See the timing diagrams below for further information.

Note: The input signal must be longer than the delay, otherwise it will be filtered out.

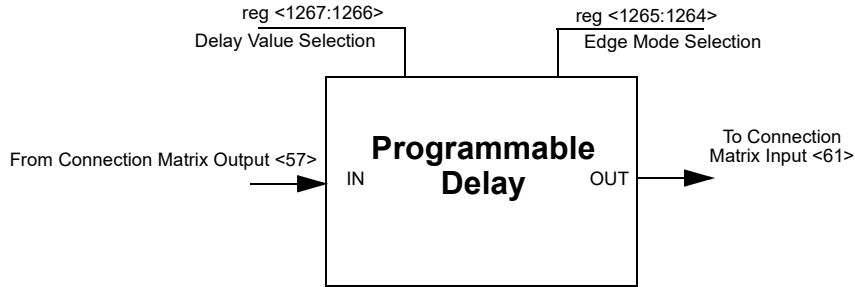


Figure 58. Programmable Delay

### 12.1 Programmable Delay Timing Diagram - Edge Detector Output

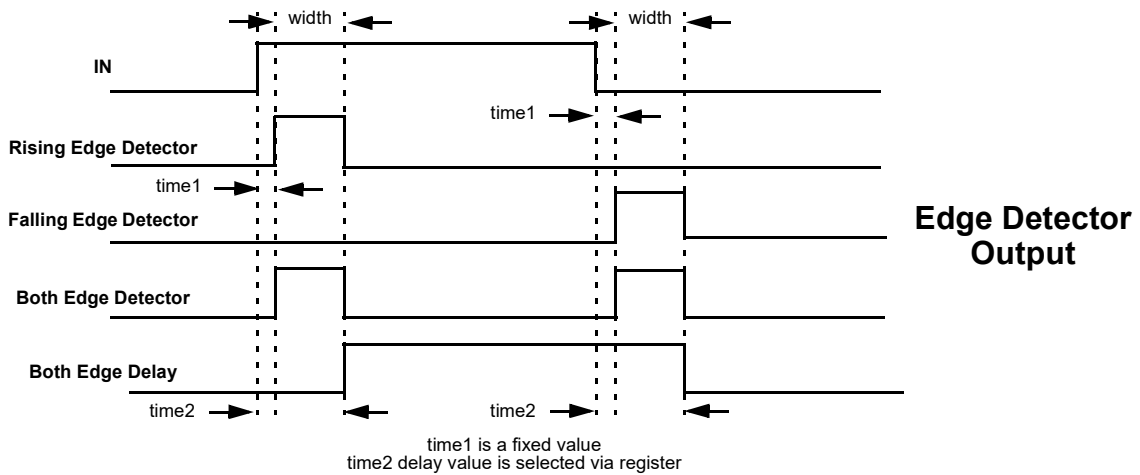


Figure 59. Edge Detector Output

Please refer to Table 4. Expected Delays and Widths (typical)



## 12.2 Programmable Delay Register Settings

Table 86. Programmable Delay Register Settings

Signal Function	Register Bit Address	Register Definition
Select the edge mode of programmable delay & edge detector	reg<1265:1264>	00: Rising Edge Detector 01: Falling Edge Detector 10: Both Edge Detector 11: Both Edge Delay
Delay value select for programmable delay & edge detector (VDD = 3.3 V, typical condition)	reg<1267:1266>	00: 125 ns 01: 250 ns 10: 375 ns 11: 500 ns



### 13.0 Additional Logic Functions

The SLG46536 has two additional logic functions that are connected directly to the Connection Matrix inputs and outputs. There are two deglitch filters, each with edge detector functions.

#### 13.1 Deglitch Filter / Edge Detector

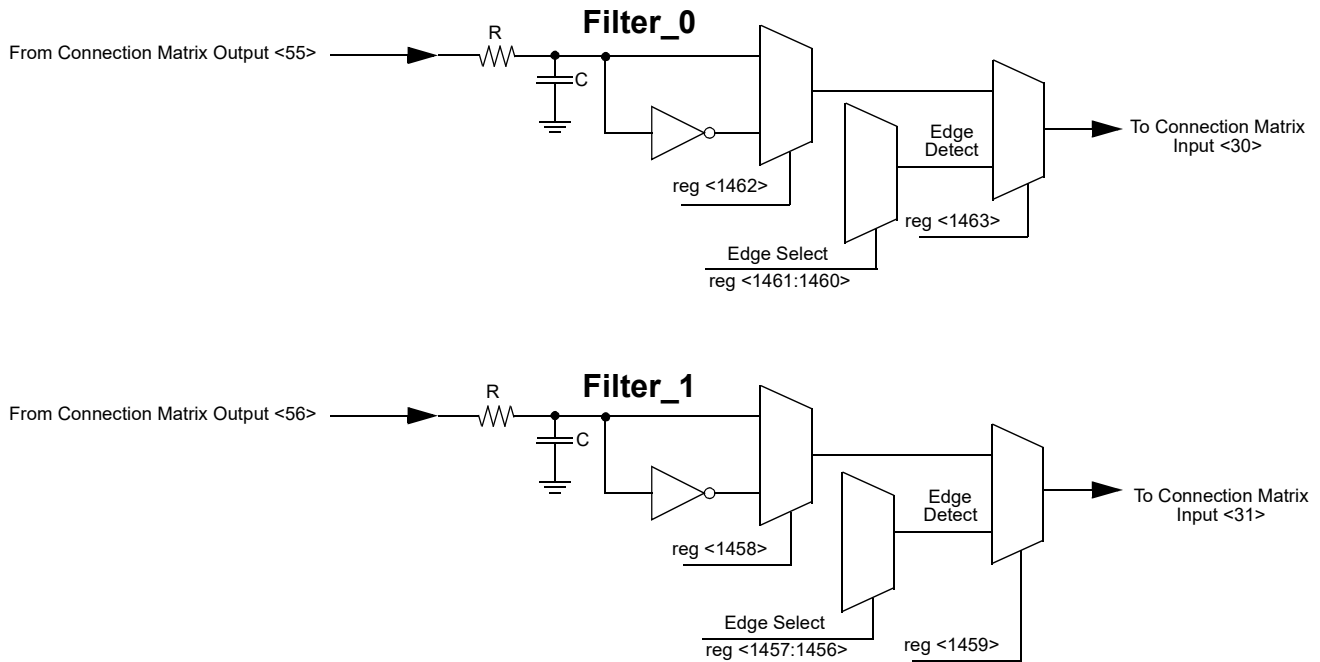


Figure 60. Deglitch Filter / Edge Detector

#### 13.2 Deglitch Filter Register Settings

Table 87. Programmable Delay Register Settings

Signal Function	Register Bit Address	Register Definition
Filter_1/Edge Detector_1 Edge Select	reg<1457:1456>	00: Rising Edge Detector 01: Fall Edge Detector 10: Both Edge Detector 11: Both Edge Delay
Filter_1/Edge Detector_1 output Polarity Select	reg<1458>	0: Filter_1 output 1: Filter_1 output inverted
Filter_1 or Edge Detector_1 Select (Typ. 30 nS @VDD=3.3V)	reg<1459>	0: Filter_1 1: Edge Detector_1
Filter_0/Edge Detector_0 Edge Select	reg<1461:1460>	00: Rising Edge Detector 01: Fall Edge Detector 10: Both Edge Detector 11: Both Edge Delay



**Table 87. Programmable Delay Register Settings**

Signal Function	Register Bit Address	Register Definition
Filter_0/Edge Detector_0 output Polarity Select	reg<1462>	0: Filter_0 output 1: Filter_0 output inverted
Filter_0 or Edge Detector_0 Select (Typ. 47 nS @VDD=3.3V)	reg<1463>	0: Filter_0 1: Edge Detector_0





## 14.0 Voltage Reference (VREF)

### 14.1 Voltage Reference Overview

The SLG46536 has a Voltage Reference Macrocell to provide references to the four analog comparators. This macrocell can supply a user selection of fixed voltage references,  $1/3$  and  $1/4$  reference off of the  $V_{DD}$  power supply to the device, and externally supplied voltage references from PINs 5 and 11. See table below for the available selections for each analog comparator. Also see *Figure 61* below, which shows the reference output structure.

### 14.2 VREF Selection Table

Table 88. VREF Selection Table

SEL<4:0>	ACMP0_VREF	ACMP1_VREF	ACMP2_VREF
11101	PIN 5: ACMP0(-)/2	PIN 10: ACMP1(-)/2	PIN 11: ACMP2(-)/2
11100	PIN 10: ACMP0(-)/2	PIN 10: ACMP1(-)/2	PIN 10: ACMP2(-)/2
11011	PIN 5: ACMP0(-)	PIN 10: ACMP1(-)	PIN 11: ACMP2(-)
11010	PIN 10: ACMP0(-)	PIN 10: ACMP1(-)	PIN 10: ACMP2(-)
11001	VDD / 4	VDD / 4	VDD / 4
11000	VDD / 3	VDD / 3	VDD / 3
10111	1.20	1.20	1.20
10110	1.15	1.15	1.15
10101	1.10	1.10	1.10
10100	1.05	1.05	1.05
10011	1.00	1.00	1.00
10010	0.95	0.95	0.95
10001	0.90	0.90	0.90
10000	0.85	0.85	0.85
01111	0.80	0.80	0.80
01110	0.75	0.75	0.75
01101	0.70	0.70	0.70
01100	0.65	0.65	0.65
01011	0.60	0.60	0.60
01010	0.55	0.55	0.55
01001	0.50	0.50	0.50
01000	0.45	0.45	0.45
00111	0.40	0.40	0.40
00110	0.35	0.35	0.35
00101	0.30	0.30	0.30
00100	0.25	0.25	0.25
00011	0.20	0.20	0.20
00010	0.15	0.15	0.15
00001	0.10	0.10	0.10
00000	0.05	0.05	0.05

VDD	Practical VREF Range	Note
2.0 V - 5.5 V	50 mV ~ 1.2 V	
1.7 V - 2.0V	50 mV ~ 1.0 V	Do not operate above 1.0 V



14.3 VREF Block Diagram

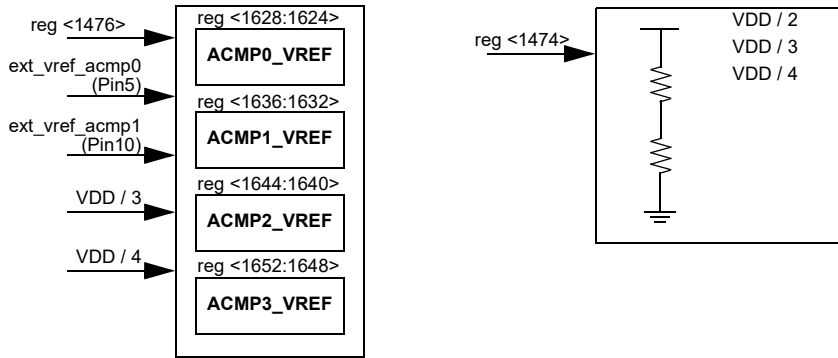


Figure 61. Voltage Reference Block Diagram



### 15.0 RC Oscillator (RC Osc)

The SLG46536 has three internal oscillators. RC Oscillator that runs at 25 kHz / 2 MHz (OSC0), Oscillator that runs at 25 MHz (OSC1) and Crystal Oscillator. It is possible to use all three oscillators simultaneously. The fundamental frequency can also come from clock input (Pin 14 for 25 kHz / 2 MHz and Pin 13 for 25 MHz or Crystal OSC), see section 19.0 *External Clocking*.

#### 15.1 25 kHz/2 MHz and 25 MHz RC Oscillators

There are two divider stages that allow the user flexibility for introducing clock signals on various Connection Matrix Input lines. The predivider allows the selection of /1, /2, /4 or /8 divide down frequency from the fundamental. The second stage divider (only for 25 kHz / 2 MHz Oscillator) has an input of frequency from the predivider, and outputs one of seven different frequencies on Connection Matrix Input lines <27> (OUT0) and <28> (OUT1). See *Figure 62* and *Figure 63* below for details.

There are two modes of the POWER CONTROL pin, (reg<1658> for 25 kHz / 2 MHz OSC and reg<1657> for 25 MHz OSC):

- **POWER DOWN <0>**. If PWR CONTROL input of oscillator is LOW, the oscillator will be turned on. If PWR CONTROL input of oscillator is HIGH the oscillator will be turned off and OSC divider will reset.
- **FORCE ON <1>**. If PWR CONTROL input of oscillator is HIGH, the oscillator will be turned on. If PWR CONTROL input of oscillator is LOW the oscillator will be turned off.

The PWR CONTROL signal has the highest priority.

The SLG46536 has a 25 kHz / 2 MHz OSC FAST START-UP function reg<1338> (1 – on, 0 – off). It allows the OSC to run immediately after power-up. Start-up time is less than one cycle. Note that when OSC FAST START-UP is on, the current consumption will rise.

The user can select two OSC POWER MODEs (reg<1343 for 25 kHz / 2 MHz OSC and reg<1341> for 25 MHz OSC):

- If **AUTO POWER ON <0>** is selected, the OSC will run only when any macrocell that uses OSC is powered on.
- If **FORCE POWER ON <1>** is selected, the OSC will run when the SLG46536 is powered on.

OSC can be turned on by:

- Register control (force power on)
- Delay mode, when delay requires OSC
- CNT/FSM

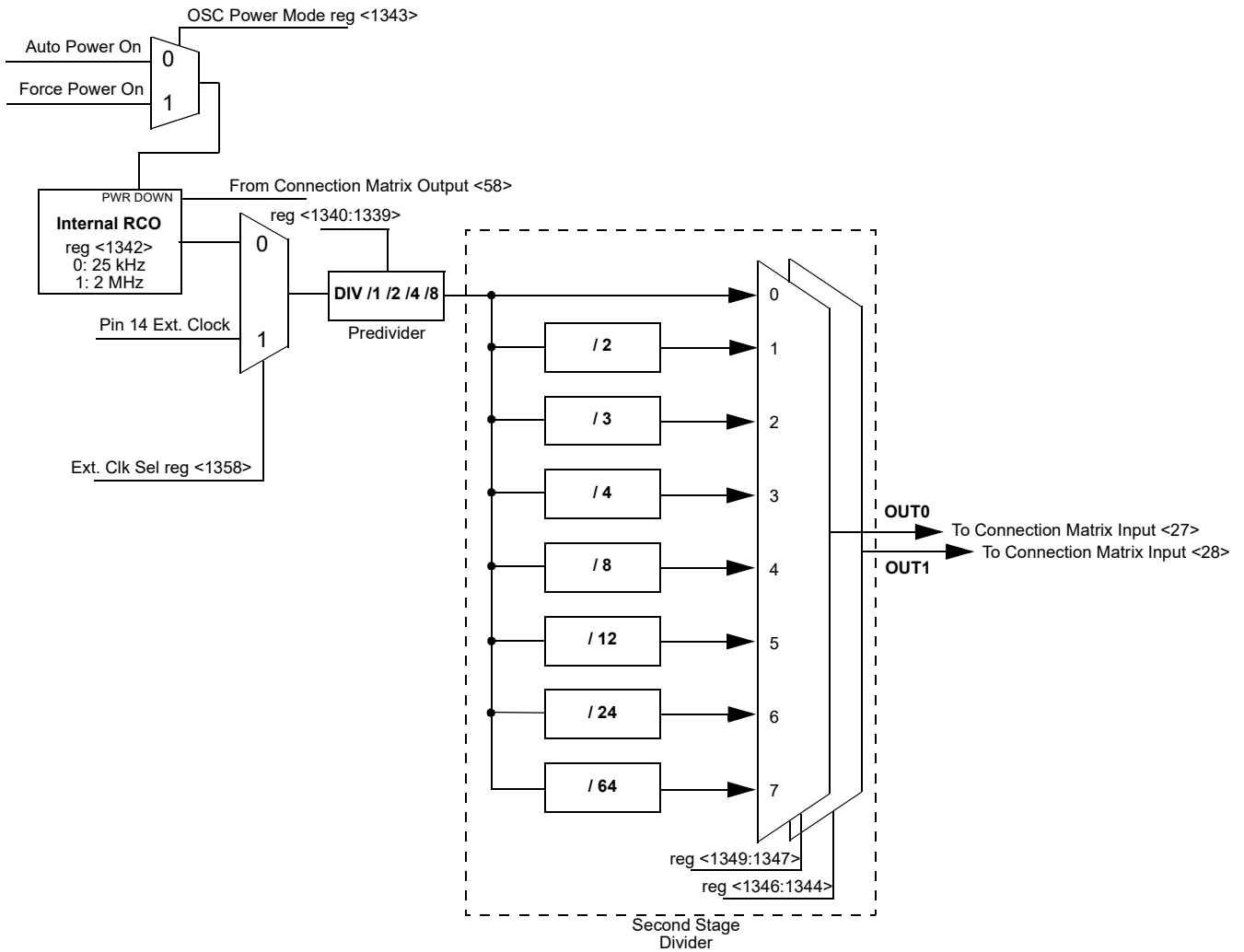


Figure 62. 25 kHz / 2 MHz RC OSC Block Diagram

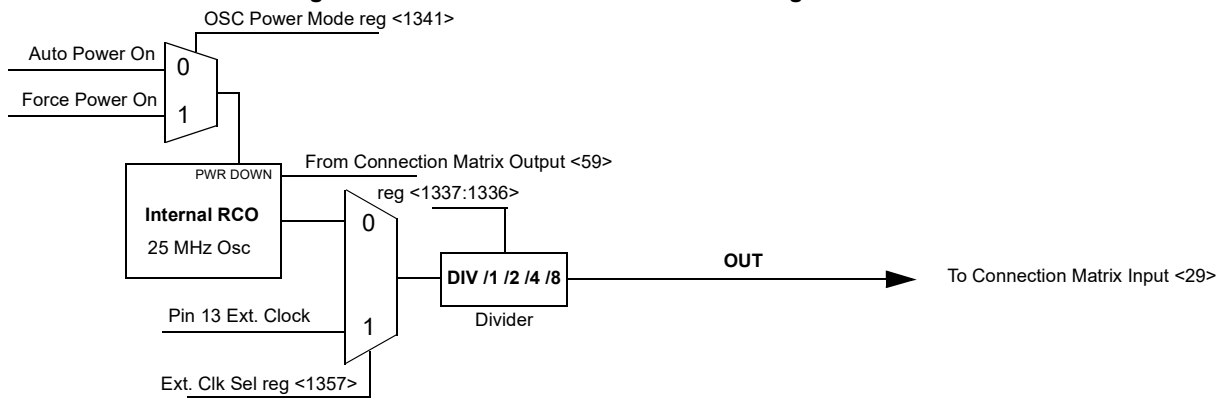


Figure 63. 25 MHz RC OSC Block Diagram



15.2 Oscillator Power On delay

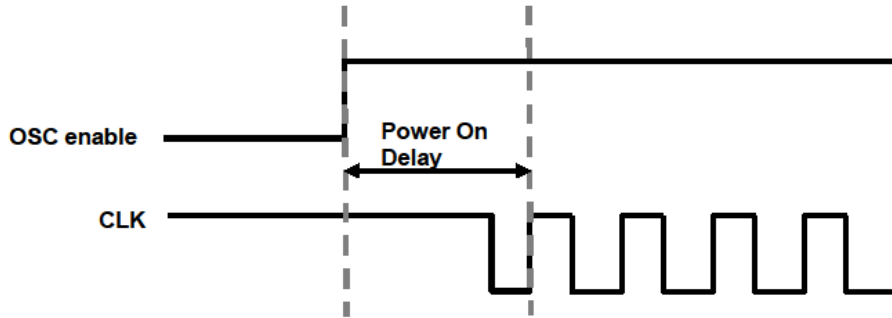


Figure 64. Oscillator Startup Diagram

Note 1: OSC power mode: "Auto Power On".

Note 2: 'OSC enable' signal appears when any block that uses OSC is powered on.

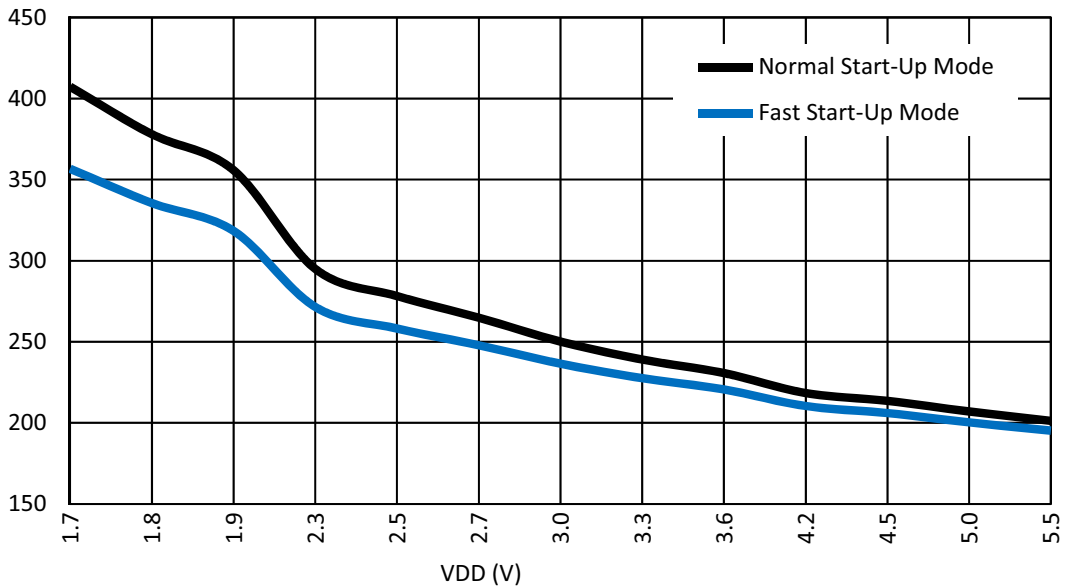


Figure 65. RC Oscillator Maximum Power On Delay vs. VDD at room temperature, OSC0 = 2 MHz

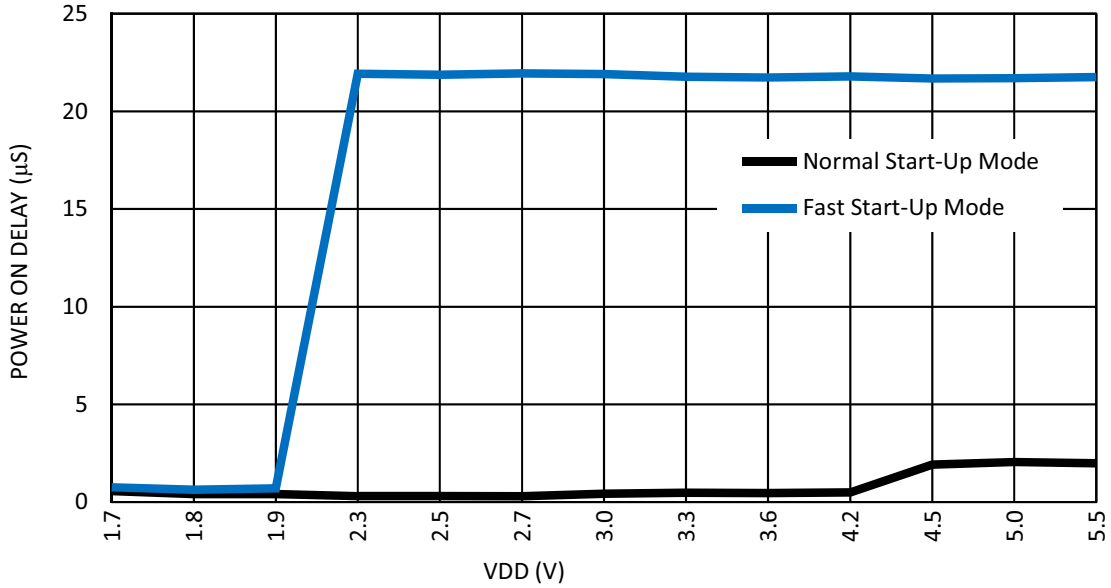


Figure 66. RC Oscillator Maximum Power On Delay vs. VDD at 85°C, OSC0 = 25 kHz

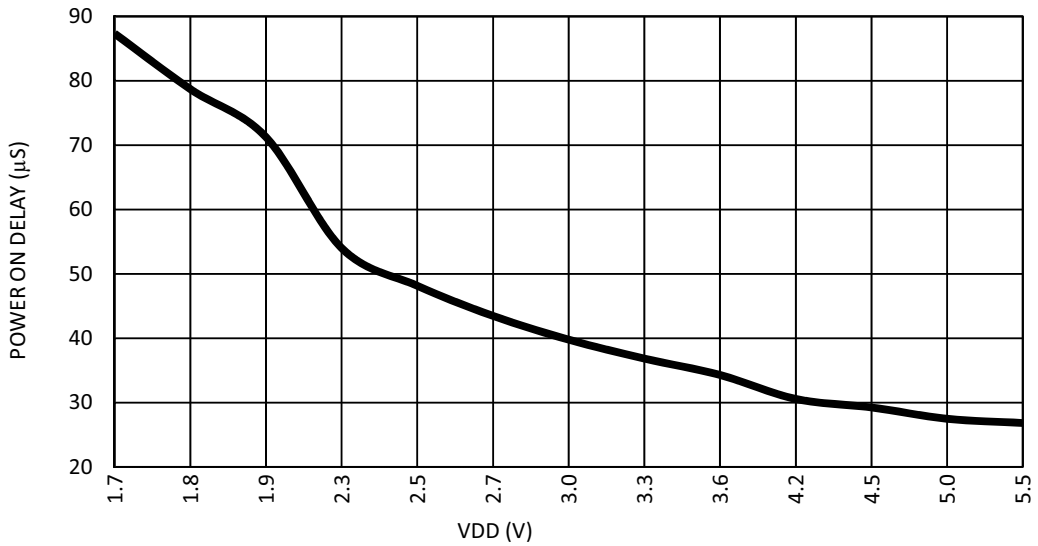


Figure 67. OSC1 (25 MHz) Maximum Power On Delay vs. VDD at 85°C

### 15.3 Oscillator Accuracy

Note 1: OSC power setting: Force Power On; Clock to matrix input - enable; Bandgap: turn on by register - enable.

Note 2: For more information see section 5.11 OSC Specifications.

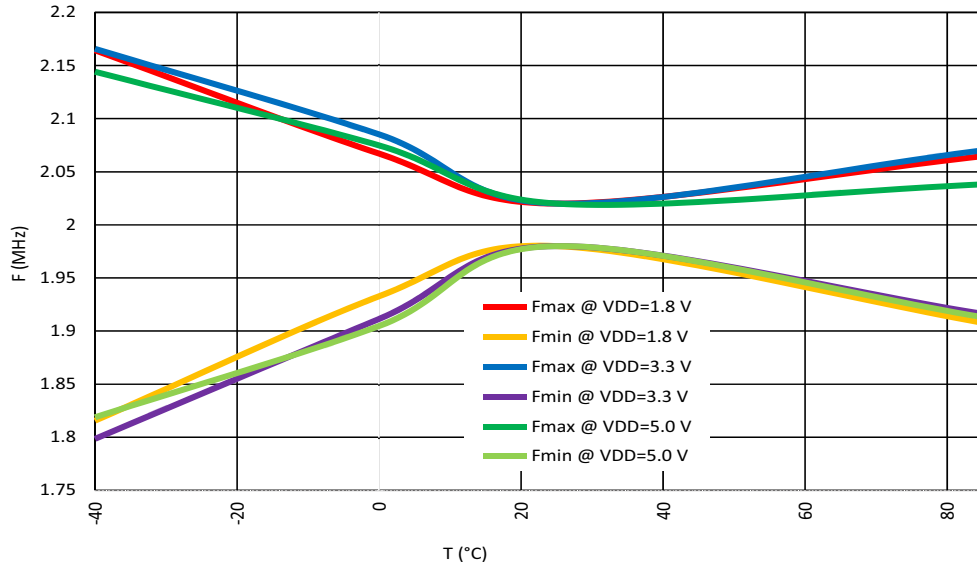


Figure 68. RC Oscillator Frequency vs. Temperature, RC OSC0=2 MHz

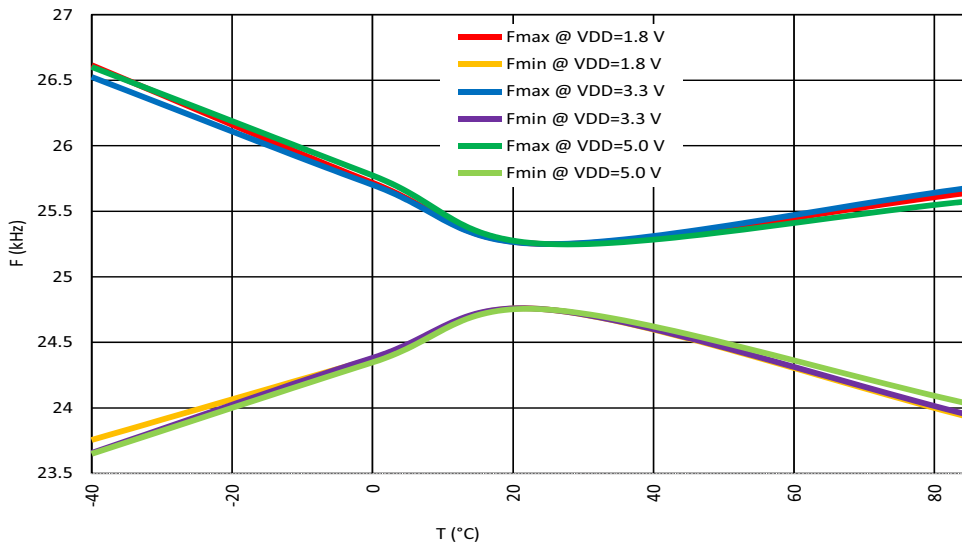


Figure 69. RC Oscillator Frequency vs. Temperature, RC OSC0=25 kHz

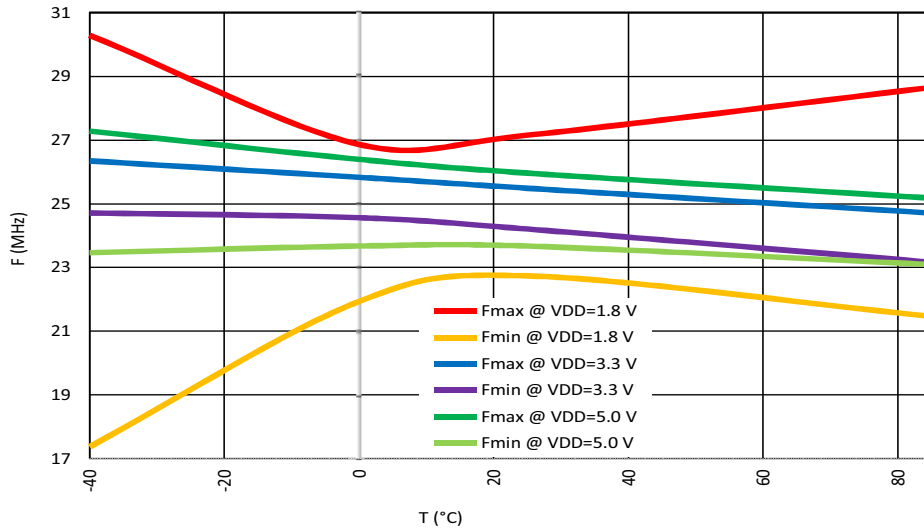


Figure 70. OSC1 (25 MHz) Frequency vs. Temperature

Note: 25 MHz RC OSC1 performance is not guaranteed at VDD < 2.5 V.





## 16.0 Crystal Oscillator

The Crystal OSC provides high precision and stability of the output frequency. Pin 13 and Pin 12 are input and output, respectively, of an inverting amplifier which is configured for use as an On-chip Oscillator, as shown in *Figure 72*. Either a quartz crystal or a ceramic resonator may be used. The optimal value of the capacitors depends on the crystal or resonator in use, the amount of stray capacitance, and the electromagnetic noise of the environment. Refer to *Table 89*. For the ceramic resonators, the capacitor values given by the manufacturer should be used. It is possible to use an external clock source, it must be connected to Pin 13. In this case no external components are required.

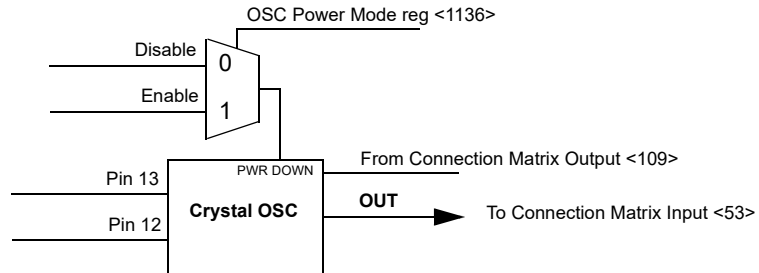


Figure 71. Crystal OSC Block Diagram

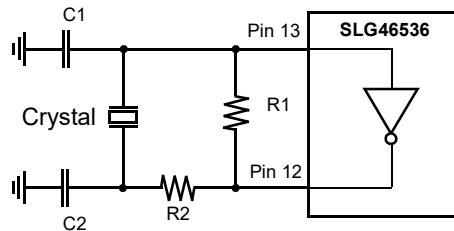


Figure 72. External Crystal Connection

Table 89. External Components Selection Table

f	C1	C2	R1	R2
32.768 kHz	10 pF	330 pF	20 MΩ	20 kΩ
4 - 40 MHz	12 pF	12 pF	1 MΩ	0 Ω



### 17.0 Power On Reset (POR)

The SLG46536 has a power-on reset (POR) macrocell to ensure correct device initialization and operation of all macrocells in the device. The purpose of the POR circuit is to have consistent behavior and predictable results when the VDD power is first ramping to the device, and also while the VDD is falling during power-down. To accomplish this goal, the POR drives a defined sequence of internal events that trigger changes to the states of different macrocells inside the device, and finally to the state of the I/O pins.

#### 17.1 General Operation

The SLG46536 is guaranteed to be powered down and nonoperational when the VDD voltage (voltage on PIN1) is less than Power Off Threshold (see in Electrical Characteristics table), but not less than -0.6 V. Another essential condition for the chip to be powered down is that no voltage higher (see Note 1) than the VDD voltage is applied to any other PIN. For example, if VDD voltage is 0.3 V, applying a voltage higher than 0.3 V to any other PIN is incorrect, and can lead to incorrect or unexpected device behavior.

*Note 1. There is a 0.6 V margin due to forward drop voltage of the ESD protection diodes.*

To start the POR sequence in the SLG46536, the voltage applied on the VDD should be higher than the Power\_ON threshold (see Note 2). The full operational VDD range for the SLG46536 is 1.71 V – 5.5 V (1.8 V ± 5 % - 5 V ± 10 %). This means that the VDD voltage must ramp up to the operational voltage value, but the POR sequence will start earlier, as soon as the VDD voltage rises to the Power\_ON threshold. After the POR sequence has started, the SLG46536 will have a typical period of time to go through all the steps in the sequence (noted in the datasheet for that device), and will be ready and completely operational after the POR sequence is complete.

*Note 2. The Power\_ON threshold is defined in Electrical Characteristics table.*

To power down the chip the VDD voltage should be lower than the operational and to guarantee that chip is powered down it should be less than Power Off Threshold.

All PINs are in high impedance state when the chip is powered down and while the POR sequence is taking place. The last step in the POR sequence releases the I/O structures from the high impedance state, at which time the device is operational. The pin configuration at this point in time is defined by the design programmed into the chip. Also as it was mentioned before the voltage on PINs can't be bigger than the VDD, this rule also applies to the case when the chip is powered on.



### 17.2 POR Sequence

The POR system generates a sequence of signals that enable certain macrocells. The sequence is shown in *Figure 73*.

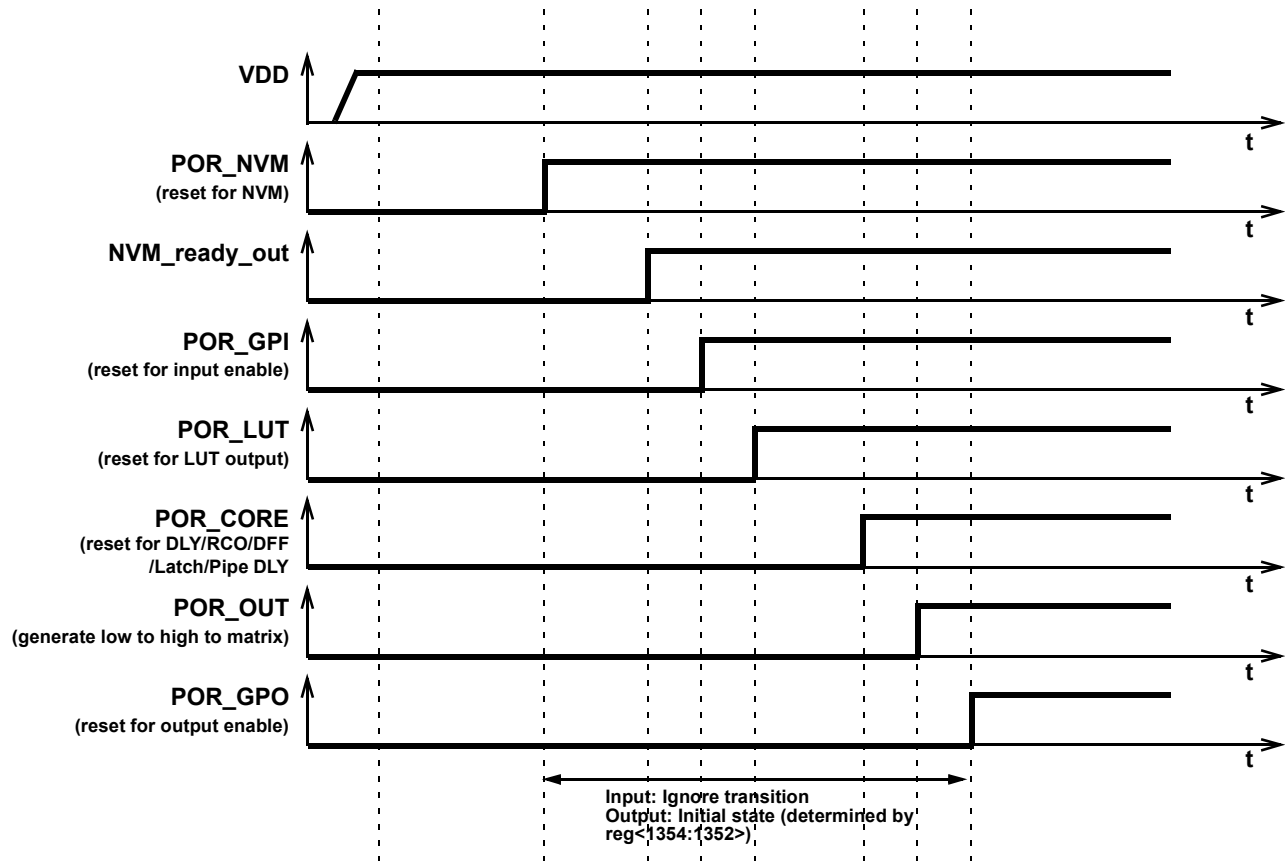


Figure 73. POR sequence

As can be seen from *Figure 73* after the VDD has start ramping up and crosses the Power\_ON threshold, first, the on-chip NVM memory is reset. Next the chip reads the data from NVM, and transfers this information to SRAM registers that serve to configure each macrocell, and the Connection Matrix which routes signals between macrocells. The third stage causes the reset of the input pins, and then to enable them. After that, the LUTs are reset and become active. After LUTs the Delay cells, RC OSC, DFFs, Latches and Pipe Delay are initialized. Only after all macrocells are initialized internal POR signal (POR macrocell output) goes from LOW to HIGH. The last portion of the device to be initialized are the output PINs, which transition from high impedance to active at this point.

The typical time that takes to complete the POR sequence varies by device type in the GreenPAK family. It also depends on many environmental factors, such as: slew rate, VDD value, temperature and even will vary from chip to chip (process influence).



## 17.3 Macrocells Output States During POR Sequence

To have a full picture of SLG46536 operation during powering and POR sequence, review the overview the macrocell output states during the POR sequence (*Figure 74* describes the output signals states).

First, before the NVM has been reset, all macrocells have their output set to logic LOW (except the output PINs which are in high impedance state). Before the NVM is ready, all macrocell outputs are unpredictable (except the output PINs). On the next step, some of the macrocells start initialization: input pins output state becomes LOW; LUTs also output LOW. Only P DLY macrocell configured as edge detector becomes active at this time. After that input PINs are enabled. Next, only LUTs are configured. Next, all other macrocells are initialized. After macrocells are initialized, internal POR matrix signal switches from LOW to HIGH. The last are output PINs that become active and determined by the input signals.

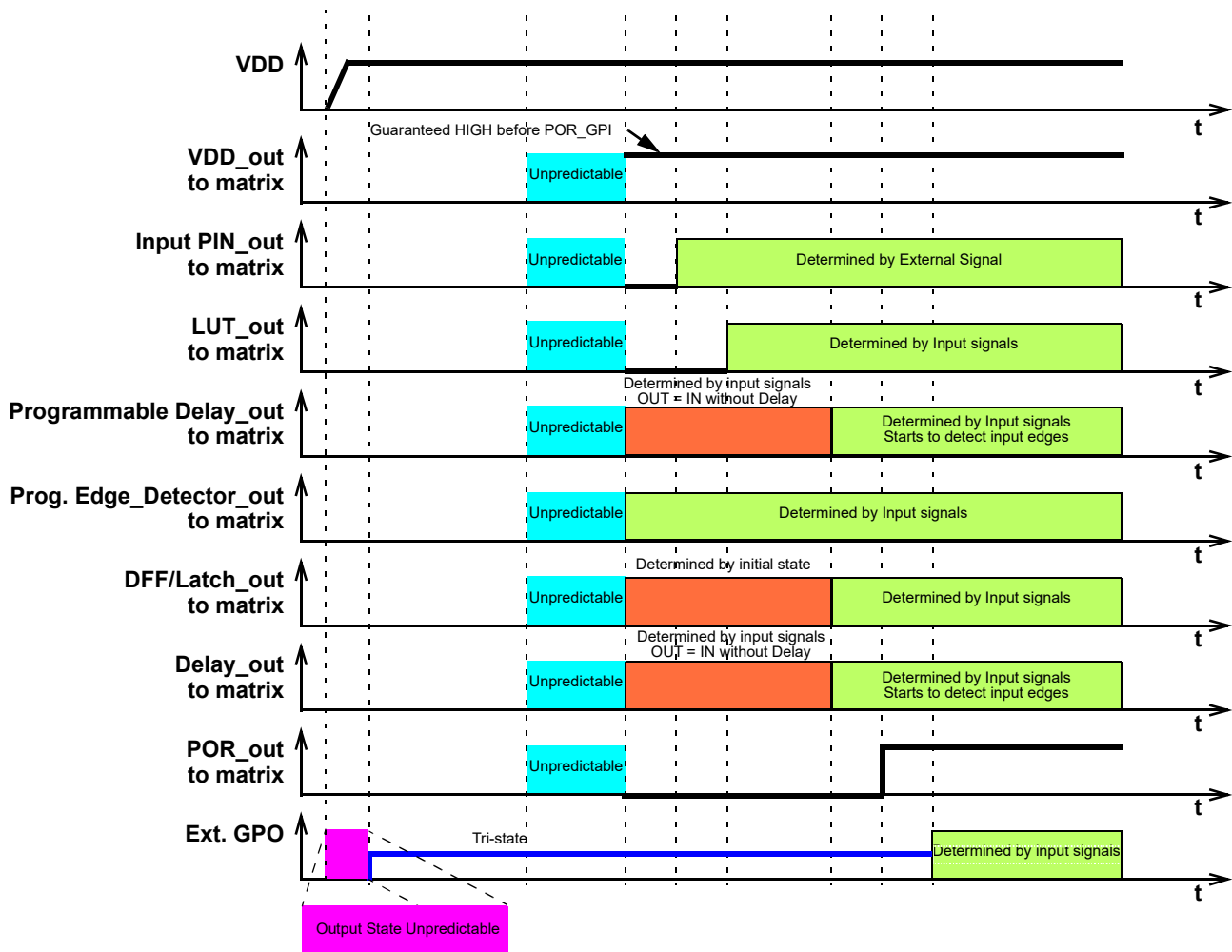


Figure 74. Internal Macrocell States during POR sequence



### 17.3.1 Initialization

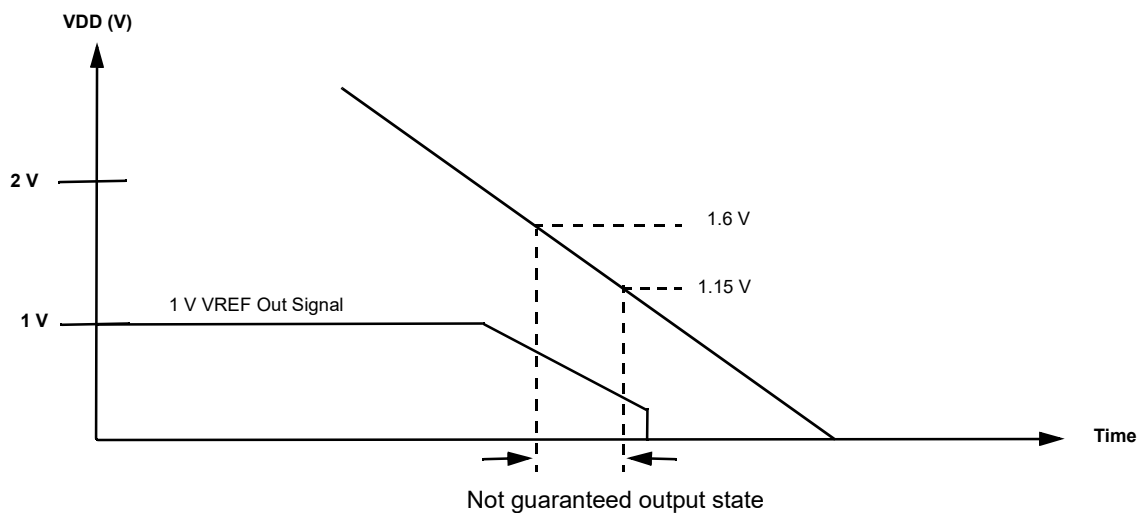
All internal macrocells by default have initial low level. Starting from indicated powerup time of 1.15 V - 1.6 V, macrocells in GPAK5 are powered on while forced to the reset state, All outputs are in Hi-Z and chip starts loading data from NVM. Then the reset signal is released for internal macrocells and they start to initialize according to the following sequence:

1. I<sup>2</sup>C;
2. Input PINs, ACMP, pull up/down;
3. LUTs;
4. DFFs, Delays/Counters, Pipe Delay;
5. POR output to matrix;
6. Output PIN corresponds to the internal logic

The POR signal going high indicates the mentioned powerup sequence is complete.

*Note: The maximum voltage applied to any PIN should not be higher than the VDD level. There are ESD Diodes between PIN → VDD and PIN → GND on each PIN. So if the input signal applied to PIN is higher than VDD, then current will sink through the diode to VDD. Exceeding VDD results in leakage current on the input PIN, and VDD will be pulled up, following the voltage on the input PIN. There is no effect from input pin when input voltage is applied at the same time as VDD.*

### 17.3.2 Power Down



**Figure 75. Power Down**

During powerdown, macrocells in SLG46536 are powered off after VDD falling down below Power Off Threshold. Please note that during a slow rampdown, outputs can possibly switch state during this time.



## 18.0 I<sup>2</sup>C Serial Communications Macrocell

### 18.1 I<sup>2</sup>C Serial Communications Macrocell Overview

In the standard use case for the GreenPAK devices, the configuration choices made by the user are stored as bit settings in the Non-Volatile Memory (NVM), and this information is transferred at startup time to volatile RAM registers that enable the configuration of the macrocells. Other RAM registers in the device are responsible for setting the connections in the Connection Matrix to route signals in the manner most appropriate for the user’s application.

The I<sup>2</sup>C Serial Communications Macrocell in this device allows an I<sup>2</sup>C bus Master to read and write this information via a serial channel directly to the RAM registers, allowing the remote re-configuration of macrocells, and remote changes to signal chains within the device.

An I<sup>2</sup>C bus Master is also able read and write other I<sup>2</sup>C register bits that are not associated with NVM memory. As an example, the input lines to the Connection Matrix can be read as digital register bits. These are the signal outputs of each of the macrocells in the device, giving an I<sup>2</sup>C bus Master the capability to remotely read the current value of any macrocell.

The user has the flexibility to control read access and write access via registers bits reg<1832>, reg<1870>, and reg<1871>. See section 18.5 I<sup>2</sup>C Serial Command Register Protection for more details on I<sup>2</sup>C read/write memory protection.

*Note: GreenPAK I<sup>2</sup>C is fully compatible with standard I<sup>2</sup>C protocol.*

### 18.2 I<sup>2</sup>C Serial Communications Device Addressing

Each command to the I<sup>2</sup>C Serial Communications macrocell begins with a Control Byte. The bits inside this Control Byte are shown in Figure 76. After the Start bit, the first four bits are a control code, which can be set by the user in reg<1867:1864>. This gives the user flexibility on the chip level addressing of this device and other devices on the same I<sup>2</sup>C bus. The Block Address is the next three bits (A10,A9, A8), which will define the most significant bits in the addressing of the data to be read or written by the command. The last bit in the Control Byte is the R/W bit, which selects whether a read command or write command is requested, with a “1” selecting for a Read command, and a “0” selecting for a Write command. This Control Byte will be followed by an Acknowledge bit (ACK), which is sent by this device to indicate successful communication of the Control Byte data.

In the I<sup>2</sup>C-bus specification and user manual, there are two groups of eight addresses (0000 xxx and 1111 xxx) that are reserved for the special functions, such as a system General Call address. If the user of this device choses to set the Control Code to either “1111” or “0000” in a system with other slave device, please consult the I<sup>2</sup>C-bus specification and user manual to understand the addressing and implementation of these special functions, to insure reliable operation.

In the read and write command address structure, there are a total of 11 bits of addressing, each pointing to a unique byte of information, resulting in a total address space of 2K bytes. Of this 2K byte address space, the valid addresses accessible to the I<sup>2</sup>C Macrocell on the SLG46536 are in the range from 0 (0x00) to 255 (0xFF). The MSB address bits (A10, A9 and A8) will be “0” for all commands to the SLG46536.

With the exception of the Current Address Read command, all commands will have the Control Byte followed by the Word Address. Figure 76 shows this basic command structure.

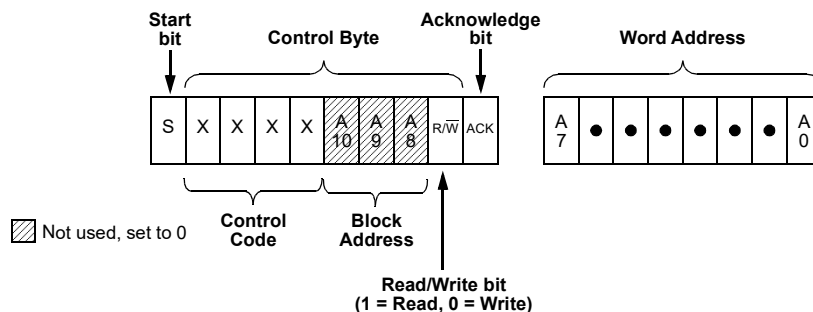


Figure 76. Basic Command Structure



18.3 I<sup>2</sup>C Serial General Timing

General timing characteristics for the I<sup>2</sup>C Serial Communications macrocell are shown in Figure 77. Timing specifications can be found in the AC Characteristics section.

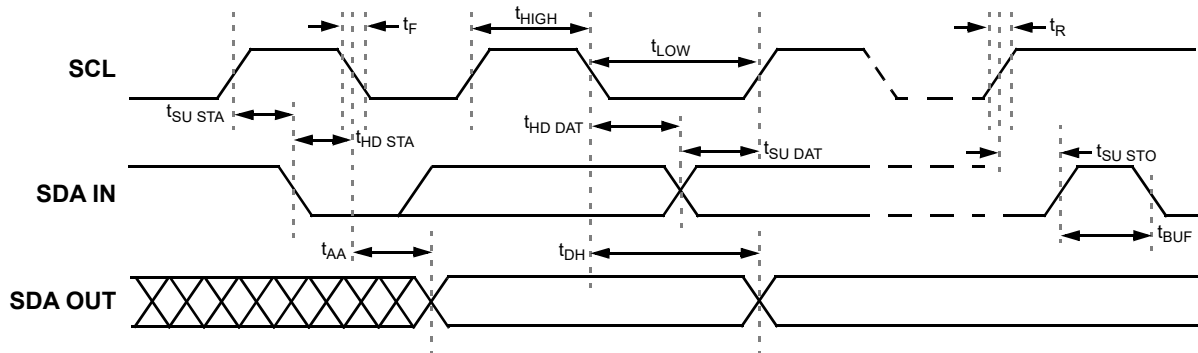


Figure 77. I<sup>2</sup>C General Timing Characteristics

18.4 I<sup>2</sup>C Serial Communications Commands

18.4.1 Byte Write Command

Following the Start condition from the Master, the Control Code [4 bits], the Block Address [3 bits] and the R/W bit (set to “0”), are placed onto the I<sup>2</sup>C bus by the Master. After the SLG46536 sends an Acknowledge bit (ACK), the next byte transmitted by the Master is the Word Address. The Block Address (A10, A9, A8), combined with the Word Address (A7 through A0), together set the internal address pointer in the SLG46536 where the data byte is to be written. After the SLG46536 sends another Acknowledge bit, the Master will transmit the data byte to be written into the addressed memory location. The SLG46536 again provides an Acknowledge bit and then the Master generates a Stop condition. The internal write cycle for the data will take place at the time that the SLG46536 generates the Acknowledge bit.

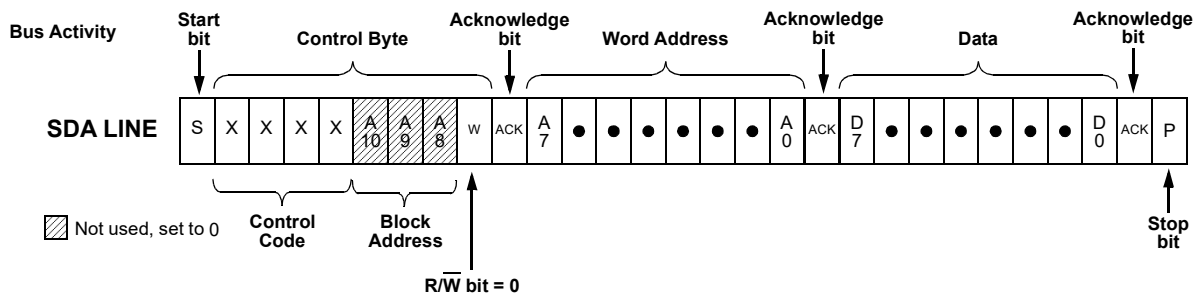


Figure 78. Byte Write Command, R/W = 0



### 18.4.2 Sequential Write Command

The write Control Byte, Word Address and the first data byte are transmitted to the SLG46536 in the same way as in a Byte Write command. However, instead of generating a Stop condition, the Master continues to transmit data bytes to the SLG46536. Each subsequent data byte will increment the internal address counter, and will be written into the next higher byte in the command addressing. As in the case of the Byte Write command, the internal write cycle will take place at the time that the SLG46536 generates the Acknowledge bit.

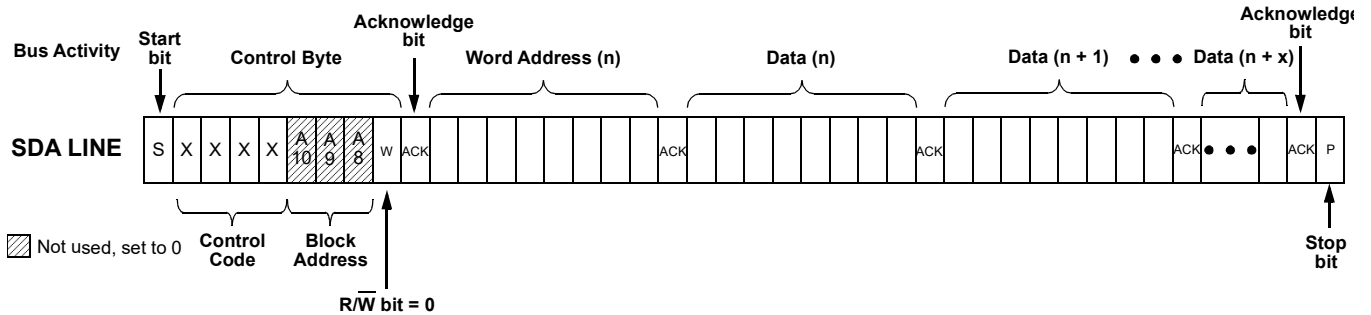


Figure 79. Sequential Write Command,  $\overline{R/W} = 0$

### 18.4.3 Current Address Read Command

The Current Address Read Command reads from the current pointer address location. The address pointer is incremented at the first STOP bit following any write control byte. For example, if a Write or Random Read (which contains a write control byte) writes or reads data up to address n, the address pointer would get incremented to n+1 upon the STOP of that command. Subsequently, a Current Address Read that follows would start reading data at n+1. The Current Address Read Command contains the Control Byte sent by the Master, with the  $\overline{R/W}$  bit = "1". The SLG46536 will issue an Acknowledge bit, and then transmit eight data bits for the requested byte. The Master will not issue an Acknowledge bit, and follow immediately with a Stop condition.

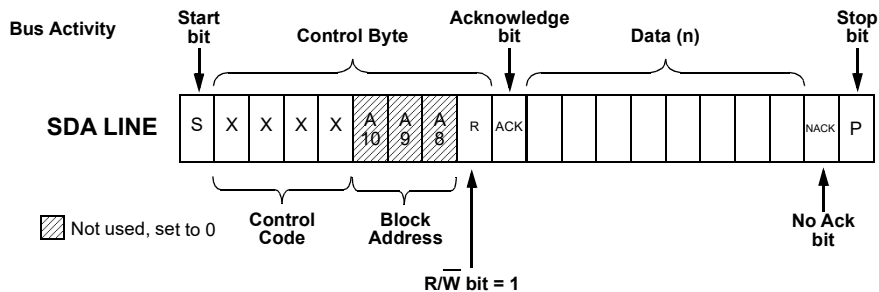


Figure 80. Current Address Read Command,  $\overline{R/W} = 1$





18.4.4 Random Read Command

The Random Read command starts with a Control Byte (with R/W bit set to "0", indicating a write command) and Word Address to set the internal byte address, followed by a Start bit, and then the Control Byte for the read (exactly the same as the Byte Write command). The Start bit in the middle of the command will halt the decoding of a Write master command, but will set the internal address counter in preparation for the second half of the command. After the Start bit, the Master issues a second control byte with the R/W bit set to "1", after which the SLG46536 issues an Acknowledge bit, followed by the requested eight data bits.

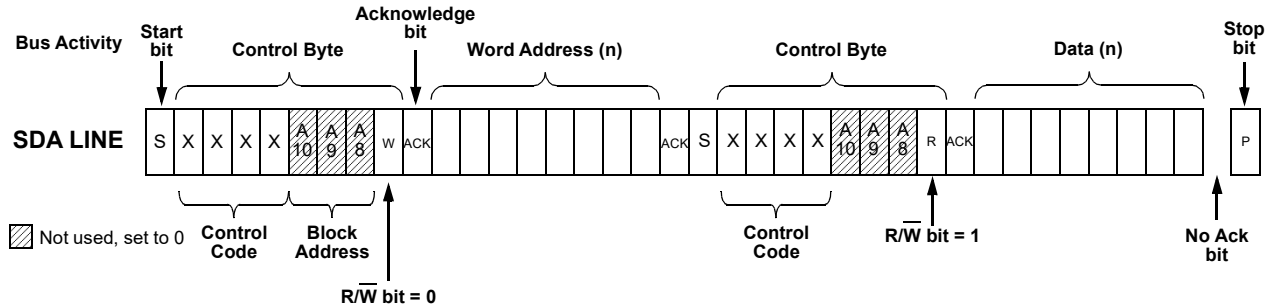


Figure 81. Random Read Command

18.4.5 Sequential Read Command

The Sequential Read command is initiated in the same way as a Current Address Read or Random Read command, except that once the SLG46536 transmits the first data byte, the Master issues an Acknowledge bit as opposed to a Stop condition in a random read. The Master can continue reading sequential bytes of data, and will terminate the command with a Stop condition.

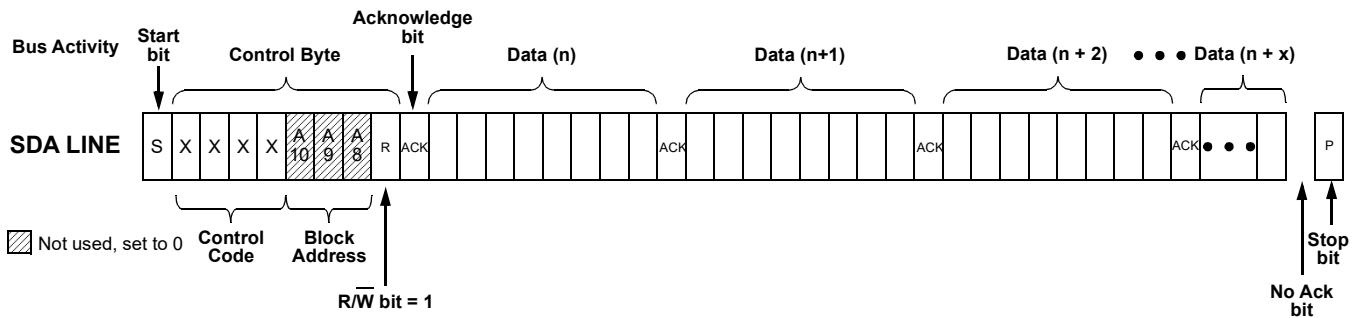


Figure 82. Sequential Read Command



### 18.4.6 I<sup>2</sup>C Serial Command Register Map

These register addresses are broken down into four Banks to give the user greater control on access to reading and writing information in each bank. Each of the four banks is 512 bits (64 bytes) in length. Writing information to register bits in these Banks will change the configuration of the device, resulting in either a change in the interconnection options provided by the Connection Matrix, or by changing the configuration of individual macrocells. During device use, all register bits can be read or written via I<sup>2</sup>C, unless protection bits are set to prevent this.

See Section 20.0 Appendix A - SLG46536 Register Definition for detailed information on all register bits

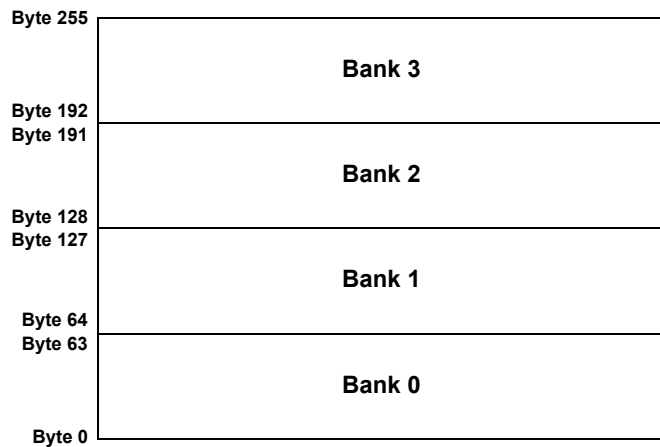


Figure 83. Register Bank Map

### 18.5 I<sup>2</sup>C Serial Command Register Protection

The memory space is divided into four banks, each of which has 512bits (64bytes). There are three bits that allow the user to define rules for reading and writing bits in each of these banks via I<sup>2</sup>C:

- reg<1832> I<sup>2</sup>C lock for read bits <1535:0> (Bank 0/1/2). If the system provides any read commands to the addresses in these three banks, the device will respond with 'FFH' in data field.
- reg<1871> I<sup>2</sup>C lock for write bits <1535:0> (Bank 0/1/2). If the system provides any write commands to the addresses in these three banks, the device will acknowledge these commands, but will not do internal writes to the register space.
- reg<1870> I<sup>2</sup>C lock for write all bits (Bank 0/1/2/3). If the system provides any write commands to the addresses in these four banks, the device will acknowledge these commands, but will not do internal writes to the register space.

Note 1. reg<1870> is higher priority than reg<1871>, and if reg<1870> is set, than reg<1871> does not have any effect.

Note 2. If the user sets Pins 8 and 9 function to a selection other than SDA and SCL, all access via I<sup>2</sup>C will be disabled.

If reg <1870> is not set, register bits in Bank 3 are open to read and write commands via I<sup>2</sup>C with the following exceptions:

- reg<1871> Bank 0/1/2 I<sup>2</sup>C-write protection bit is always protected from I<sup>2</sup>C write
- reg<1867:1864> I<sup>2</sup>C Control Code Bit [3:0] is always protected from I<sup>2</sup>C write

Note 4. Any write commands that come to the device via I<sup>2</sup>C that are not blocked, based on the protection bits, will change the contents of the RAM register bits that mirror the NVM bits. These write commands will not change the NVM bits themselves, and a POR event will restore the register bits to original programmed contents of the NVM.

See Section 20.0 Appendix A - SLG46536 Register Definition for detailed information on all registers.



18.5.1 Register Read/Write Protection

There are six read/write protect modes for the design sequence from being corrupted or copied. See *Table 90* for details.

Table 90. Read/Write Protection Options

Bank	Byte	Bits	Description	Lock Status					
				Unlocked	Locked for read bits <1535:0>	Locked for write bits <1535:0>	Locked for write all bits	Locked for read and write bits <1535:0>	Locked for read bits <1535:0> and write all bits
				reg <1832>=0, <1871>=0, <1870>=0	reg <1832>=1, <1871>=0, <1870>=0	reg <1832>=0, <1871>=1, <1870>=0	reg <1832>=0, <1871>=x, <1870>=1	reg <1832>=1, <1871>=1, <1870>=0	reg <1832>=1, <1871>=x, <1870>=1
0	0-63	511-0	Connection Matrix Outputs Configuration	R/W	W	R	R	-	-
	64-109	879-512		R/W	W	R	R	-	-
1	110-127	880-1023	Reserved	-	-	-	-	-	-
2	128-186	1495-1024	Function Configuration for PINs, LUTs/DFFs, OSC, ASM and some configuration for DLYs, ACMP	R/W	W	R	R	-	-
	187-191	1535-1496	Reserved	-	-	-	-	-	-
3	192-206	1655-1536	CNT/DLY counter data and some LUTs truth table, ACMP Vref	R/W	R/W	R/W	R	R/W	R
	207	1662	I2C reset bit with reloading NVM into Data register	R/W	R/W	R/W	R	R/W	R
		1661-1659	Reserved	R	R	R	R	R	R
		1658-1656	OSC Power Control	R/W	R/W	R/W	R	R/W	R



**Table 90. Read/Write Protection Options**

Bank	Byte	Bits	Description	Lock Status					
				Unlocked	Locked for read bits <1535:0>	Locked for write bits <1535:0>	Locked for write all bits	Locked for read and write bits <1535:0>	Locked for read bits <1535:0> and write all bits
				reg <1832>=0, <1871>=0, <1870>=0	reg <1832>=1, <1871>=0, <1870>=0	reg <1832>=0, <1871>=1, <1870>=0	reg <1832>=0, <1871>=x, <1870>=1	reg <1832>=1, <1871>=1, <1870>=0	reg <1832>=1, <1871>=x, <1870>=1
3	208-223	1791-1664	ASM output RAM and User configurable RAM / OTP	R/W	R/W	R/W	R	R/W	R
	224-227	1823-1792	Reserved	-	-	-	-	-	-
	228	1831-1824	Reserved	R/W	R/W	R/W	R	R/W	R
	229	1839-1836	Product Family ID	R	R	R	R	R	R
		1835-1834	Reserved	-	-	-	-	-	-
		1833	Reserved	R	R	R	R	R	R
		1832	I2C Lock for read bits<1535:0>	R	R	R	R	R	R
	230	1847-1840	Pattern ID	R/W	R/W	R/W	R	R/W	R
	231	1855-1848	Reserved	R	R	R	R	R	R
	232	1863-1856	Reserved	R	R	R	R	R	R
	233	1871	I2C Lock for write bits<1535:0>	R	R	R	R	R	R
		1870	I2C Lock for write all bits	R	R	R	R	R	R
		1869-1868	Reserved	-	-	-	-	-	-
		1867-1864	I2C Control Code	R	R	R	R	R	R
	234-239	1919-1872	Counter Current Value	R	R	R	R	R	R
	240-243	1951-1920	Macrocells Output Values (Connection Matrix Inputs)	R	R	R	R	R	R
	244	1959-1952	Connection Matrix Virtual Inputs	R/W	R/W	R/W	R	R/W	R
245-247	2007-1983	Macrocells Output Values (Connection Matrix Inputs)	R	R	R	R	R	R	
248-250	2007-1984	Reserved	R	R	R	R	R	R	



Table 90. Read/Write Protection Options

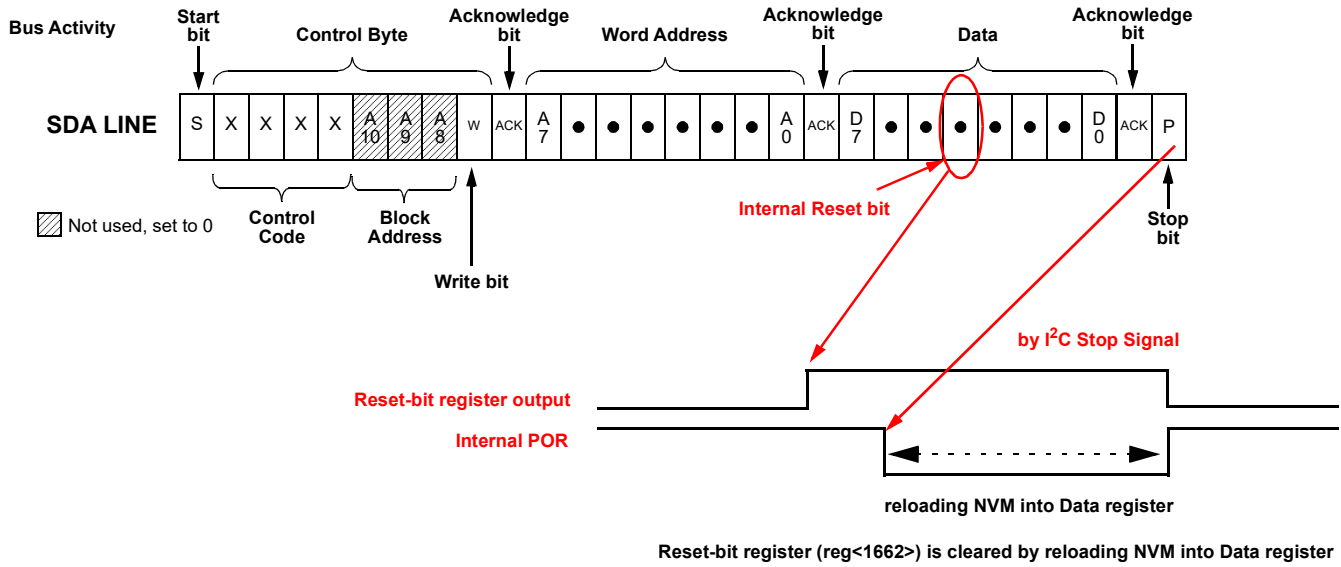
Bank	Byte	Bits	Description	Lock Status					
				Unlocked	Locked for read bits <1535:0>	Locked for write bits <1535:0>	Locked for write all bits	Locked for read and write bits <1535:0>	Locked for read bits <1535:0> and write all bits
				reg <1832>=0, <1871>=0, <1870>=0	reg <1832>=1, <1871>=0, <1870>=0	reg <1832>=0, <1871>=1, <1870>=0	reg <1832>=0, <1871>=x, <1870>=1	reg <1832>=1, <1871>=1, <1870>=0	reg <1832>=1, <1871>=x, <1870>=1
3	251	2015-2008	Reserved	R/W	R/W	R/W	R	R/W	R
	252-253	2031-2016	Reserved	R	R	R	R	R	R
	254	2039-2032	Reserved	R/W	R/W	R/W	R	R/W	R
	255	2047-2040	Reserved	R/W	R/W	R/W	R	R/W	R

R/W	Allow Read and Write Data
W	Allow Write Data Only
R	Allow Read Data Only
-	The Data is protected for Read and Write

18.5.1.1 I<sup>2</sup>C Serial Reset Command

If I<sup>2</sup>C serial communication is established with the device, it is possible to reset the device to initial power up conditions, including configuration of all macrocells, and all connections provided by the Connection Matrix. This is implemented by setting reg<1662> I<sup>2</sup>C reset bit to “1”, which causes the device to re-enable the Power On Reset (POR) sequence, including the reload of all register data from NVM. During the POR sequence, the outputs of the device will be in tri-state. After the reset has taken place, the contents of reg<1662> will be set to “0” automatically. The timing diagram shown below illustrates the sequence of events for this reset function.

Note: I<sup>2</sup>C Serial Reset Command is not available during emulation.



- 1) I<sup>2</sup>C write with reg<1662>=1 (I<sup>2</sup>C reset bit with reloading NVM into Data register)
- 2) POR go to LOW and reloading NVM into Data register start after "STOP" of I<sup>2</sup>C
- 3) POR go to HIGH after reloading NVM into Data register

Figure 84. Reset Command Timing



### 18.5.1.2 Reading Counter Data via I<sup>2</sup>C

The current count value in four counters in the device can be read via I<sup>2</sup>C. The counters that have this additional functionality are 16-bit CNT0 and CNT1, and 8-bit counters CNT4 and CNT6.

### 18.5.1.3 User RAM and OTP Memory Array

There are eight bytes of RAM memory that can be read and written remotely by I<sup>2</sup>C commands. The initial contents of this memory space can be selected by the user, and this information will be transferred from OTP memory to the RAM memory space during the power-up sequence. The lowest order byte in this array (User Configurable RAM/OTP Byte 0) is located at I<sup>2</sup>C address 0xD8, and the highest order byte in this array is located at I<sup>2</sup>C address 0xDF.

**Table 91. RAM Array Table**

I <sup>2</sup> C Address (hex)	Highest Bit Address	Lowest Bit Address	Memory Byte
D8	1735	1728	User Configurable RAM/OTP Byte 0
D9	1743	1736	User Configurable RAM/OTP Byte 1
DA	1751	1744	User Configurable RAM/OTP Byte 2
DB	1759	1752	User Configurable RAM/OTP Byte 3
DC	1767	1760	User Configurable RAM/OTP Byte 4
DD	1775	1768	User Configurable RAM/OTP Byte 5
DE	1783	1776	User Configurable RAM/OTP Byte 6
DF	1791	1784	User Configurable RAM/OTP Byte 7



### 19.0 External Clocking

The SLG46536 supports several ways to use an external, higher accuracy clock as a reference source for internal operations.

#### 19.1 Crystal Mode

When reg<1136> is set to 1, an external crystal can be connected to pins 12 and 13 for supplying an accurate clock source. See section 16.0 *Crystal Oscillator*. An external clocking signal on pin 13 can be used in place of the crystal. The high and low limits for crystal frequency that can be selected are 32.768 kHz and 40 MHz.

#### 19.2 Pin 14 Source for 25 KHz / 2 MHz Clock

When reg<1358> is set to 1, an external clocking signal on pin 14 will be routed in place of the internal RC oscillator derived 25 kHz/2 MHz clock source. See *Figure 62*. Reg<1355> must be set to 0. The high and low limits for external frequency that can be selected are 0 MHz and 77 MHz.

#### 19.3 Pin 13 Source for 25 MHz Clock

When reg<1357> is set to 1, an external clocking signal on pin 13 will be routed in place of the internal RC oscillator derived 25 MHz clock source. See *Figure 63*. The high and low limits for external frequency that can be selected are 0 MHz and 84 MHz.





**20.0 Appendix A - SLG46536 Register Definition**

Address		Signal Function	Register Bit Definition	I <sup>2</sup> C Interface	
Byte	Register Bit			Read	Write
<b>Note: For reg&lt;0&gt; to reg&lt;1495&gt;, I<sup>2</sup>C Read is valid (assuming reg &lt;1832&gt; = 0), I<sup>2</sup>C Write is valid (assuming reg &lt;1871&gt; = 0)</b>					
<b>Matrix Output</b>					
00	reg<5:0>	Matrix OUT	IN0 of LUT3_11 or Clock Input of DFF8	Valid	Valid
	reg<7:6>	Reserved		Valid	Valid
01	reg<13:8>	Matrix OUT	IN1 of LUT3_11 or Data Input of DFF8	Valid	Valid
	reg<15:14>	Reserved		Valid	Valid
02	reg<21:16>	Matrix OUT	IN2 of LUT3_11 or RSTB (SETB) of DFF8	Valid	Valid
	reg<23:22>	Reserved		Valid	Valid
03	reg<29:24>	Matrix OUT	IN0 of LUT3_12 or Clock Input of DFF9	Valid	Valid
	reg<31:30>	Reserved		Valid	Valid
04	reg<37:32>	Matrix OUT	IN1 of LUT3_12 or Data Input of DFF9	Valid	Valid
	reg<39:38>	Reserved		Valid	Valid
05	reg<45:40>	Matrix OUT	IN2 of LUT3_12 or RSTB (SETB) of DFF9	Valid	Valid
	reg<47:46>	Reserved		Valid	Valid
06	reg<53:48>	Matrix OUT	IN0 of LUT3_13 or Clock Input of DFF10	Valid	Valid
	reg<55:54>	Reserved		Valid	Valid
07	reg<61:56>	Matrix OUT	IN1 of LUT3_13 or Data Input of DFF10	Valid	Valid
	reg<63:62>	Reserved		Valid	Valid
08	reg<69:64>	Matrix OUT	IN2 of LUT3_13 or RSTB (SETB) of DFF10	Valid	Valid
	reg<71:70>	Reserved		Valid	Valid
09	reg<77:72>	Matrix OUT	IN0 of LUT3_14 or Clock Input of DFF11	Valid	Valid
	reg<79:78>	Reserved		Valid	Valid
0A	reg<85:80>	Matrix OUT	IN1 of LUT3_14 or Data Input of DFF11	Valid	Valid
	reg<87:86>	Reserved		Valid	Valid
0B	reg<93:88>	Matrix OUT	IN2 of LUT3_14 or RSTB (SETB) of DFF11	Valid	Valid
	reg<95:94>	Reserved		Valid	Valid
0C	reg<101:96>	Matrix OUT	IN0 of LUT3_15 or Clock Input of DFF12	Valid	Valid
	reg<103:102>	Reserved		Valid	Valid
0D	reg<109:104>	Matrix OUT	IN1 of LUT3_15 or Data Input of DFF12	Valid	Valid
	reg<111:110>	Reserved		Valid	Valid



Address		Signal Function	Register Bit Definition	I <sup>2</sup> C Interface	
Byte	Register Bit			Read	Write
0E	reg<117:112>	Matrix OUT	IN2 of LUT3_15 or RSTB (SETB) of DFF12	Valid	Valid
	reg<119:118>	Reserved		Valid	Valid
0F	reg<125:120>	Matrix OUT	IN0 of LUT3_16 or Clock Input of DFF13	Valid	Valid
	reg<127:126>	Reserved		Valid	Valid
10	reg<133:128>	Matrix OUT	IN1 of LUT3_16 or Data Input of DFF13	Valid	Valid
	reg<135:134>	Reserved		Valid	Valid
11	reg<141:136>	Matrix OUT	IN2 of LUT3_16 or RSTB (SETB) of DFF13	Valid	Valid
	reg<143:142>	Reserved		Valid	Valid
12	reg<149:144>	Matrix OUT	IN0 of LUT3_17 or Clock Input of DFF14	Valid	Valid
	reg<151:150>	Reserved		Valid	Valid
13	reg<157:152>	Matrix OUT	IN1 of LUT3_17 or Data Input of DFF14	Valid	Valid
	reg<159:158>	Reserved		Valid	Valid
14	reg<165:160>	Matrix OUT	IN2 of LUT3_17 or RSTB (SETB) of DFF14	Valid	Valid
	reg<167:166>	Reserved		Valid	Valid
15	reg<173:168>	Matrix OUT	IN0 of LUT4_2	Valid	Valid
	reg<175:174>	Reserved		Valid	Valid
16	reg<181:176>	Matrix OUT	IN1 of LUT4_2	Valid	Valid
	reg<183:182>	Reserved		Valid	Valid
17	reg<189:184>	Matrix OU	IN2 of LUT4_2	Valid	Valid
	reg<191:190>	Reserved		Valid	Valid
18	reg<197:192>	Matrix OUT	IN3 of LUT4_2	Valid	Valid
	reg<199:198>	Reserved		Valid	Valid
19	reg<205:200>	Reserved		Valid	Valid
	reg<207:206>	Reserved		Valid	Valid
1A	reg<213:208>	Reserved		Valid	Valid
	reg<215:214>	Reserved		Valid	Valid
1B	reg<221:216>	Matrix OUT	PIN3 Digital Output Source	Valid	Valid
	reg<223:222>	Reserved		Valid	Valid
1C	reg<229:224>	Reserved		Valid	Valid
	reg<231:230>	Reserved		Valid	Valid
1D	reg<237:232>	Reserved		Valid	Valid
	reg<239:238>	Reserved		Valid	Valid
1E	reg<245:240>	Matrix OUT	PIN4 Digital Output Source	Valid	Valid
	reg<247:246>	Reserved		Valid	Valid
1F	reg<253:248>	Matrix OUT	PIN5 Digital Output Source	Valid	Valid
	reg<255:254>	Reserved		Valid	Valid



Address		Signal Function	Register Bit Definition	I <sup>2</sup> C Interface	
Byte	Register Bit			Read	Write
20	reg<261:256>	Matrix OUT	PIN5 Output Enable	Valid	Valid
	reg<263:262>	Reserved		Valid	Valid
21	reg<269:264>	Matrix OUT	PIN6 Digital Output Source (SCL with VI/Input & NMOS open-drain)	Valid	Valid
	reg<271:270>	Reserved		Valid	Valid
22	reg<277:272>	Matrix OUT	PIN7 Digital Output Source (SDA with VI/Input & NMOS open-drain)	Valid	Valid
	reg<279:278>	Reserved		Valid	Valid
23	reg<285:280>	Matrix OUT	PIN8 Digital Output Source	Valid	Valid
	reg<287:286>	Reserved		Valid	Valid
24	reg<293:288>	Matrix OUT	PIN8 Output Enable	Valid	Valid
	reg<295:294>	Reserved		Valid	Valid
25	reg<301:296>	Matrix OUT	PIN10 Digital Output Source	Valid	Valid
	reg<303:302>	Reserved		Valid	Valid
26	reg<309:304>	Reserved		Valid	Valid
	reg<311:310>	Reserved		Valid	Valid
27	reg<317:312>	Reserved		Valid	Valid
	reg<319:318>	Reserved		Valid	Valid
28	reg<325:320>	Matrix OUT	PIN11 Digital Output Source	Valid	Valid
	reg<327:326>	Reserved		Valid	Valid
29	reg<333:328>	Matrix OUT	PIN11 Output Enable	Valid	Valid
	reg<335:334>	Reserved		Valid	Valid
2A	reg<341:336>	Reserved		Valid	Valid
	reg<343:342>	Reserved		Valid	Valid
2B	reg<349:344>	Matrix OUT	PIN12 Digital Output Source	Valid	Valid
	reg<351:350>	Reserved		Valid	Valid
2C	reg<357:352>	Matrix OUT	PIN12 Output Enable	Valid	Valid
	reg<359:358>	Reserved		Valid	Valid
2D	reg<365:360>	Matrix OUT	PIN13 Digital Output Source	Valid	Valid
	reg<367:366>	Reserved		Valid	Valid
2E	reg<373:368>	Reserved		Valid	Valid
	reg<375:374>	Reserved		Valid	Valid
2F	reg<381:376>	Reserved		Valid	Valid
	reg<383:382>	Reserved		Valid	Valid
30	reg<389:384>	Reserved		Valid	Valid
	reg<391:390>	Reserved		Valid	Valid
31	reg<397:392>	Reserved		Valid	Valid
	reg<399:398>	Reserved		Valid	Valid
32	reg<405:400>	Matrix OUT	PIN14 Digital Output Source	Valid	Valid
	reg<407:406>	Reserved		Valid	Valid
33	reg<413:408>	Matrix OUT	ACMP0 PDB (Power Down)	Valid	Valid
	reg<415:414>	Reserved		Valid	Valid



Address		Signal Function	Register Bit Definition	I <sup>2</sup> C Interface	
Byte	Register Bit			Read	Write
34	reg<421:416>	Matrix OUT	ACMP1 PDB (Power Down)	Valid	Valid
	reg<423:422>	Reserved		Valid	Valid
35	reg<429:424>	Matrix OUT	ACMP2 PDB (Power Down)	Valid	Valid
	reg<431:430>	Reserved		Valid	Valid
36	reg<437:432>	Reserved		Valid	Valid
	reg<439:438>	Reserved		Valid	Valid
37	reg<445:440>	Matrix OUT	Input of Filter_0 with fixed time edge detector	Valid	Valid
	reg<447:446>	Reserved		Valid	Valid
38	reg<453:448>	Matrix OUT	Input of Filter_1 with fixed time edge detector	Valid	Valid
	reg<455:454>	Reserved		Valid	Valid
39	reg<461:456>	Matrix OUT	Input of Programmable Delay & Edge Detector	Valid	Valid
	reg<463:462>	Reserved		Valid	Valid
3A	reg<469:464>	Matrix OUT	OSC 25KHz/2MHz PD (Power Down)	Valid	Valid
	reg<471:470>	Reserved		Valid	Valid
3B	reg<477:472>	Matrix OUT	OSC 25 MHz PD (Power Down)	Valid	Valid
	reg<479:478>	Reserved		Valid	Valid
3C	reg<485:480>	Matrix OUT	IN0 of LUT2_0 or Clock Input of DFF0	Valid	Valid
	reg<487:486>	Reserved		Valid	Valid
3D	reg<493:488>	Matrix OUT	IN1 of LUT2_0 or Data Input of DFF0	Valid	Valid
	reg<495:494>	Reserved		Valid	Valid
3E	reg<501:496>	Matrix OUT	IN0 of LUT2_1 or Clock Input of DFF1	Valid	Valid
	reg<503:502>	Reserved		Valid	Valid
3F	reg<509:504>	Matrix OUT	IN1 of LUT2_1 or Data Input of DFF1	Valid	Valid
	reg<511:510>	Reserved		Valid	Valid
40	reg<517:512>	Matrix OUT	IN0 of LUT2_2 or Clock Input of DFF2	Valid	Valid
	reg<519:518>	Reserved		Valid	Valid
41	reg<525:520>	Matrix OUT	IN1 of LUT2_2 or Data Input of DFF2	Valid	Valid
	reg<527:526>	Reserved		Valid	Valid
42	reg<533:528>	Matrix OUT	IN0 of LUT2_3 or Clock Input of PGEN	Valid	Valid
	reg<535:534>	Reserved		Valid	Valid
43	reg<541:536>	Matrix OUT	IN1 of LUT2_3 or RSTB of PGEN	Valid	Valid
	reg<543:542>	Reserved		Valid	Valid
44	reg<549:544>	Matrix OUT	IN0 of LUT3_0 or Clock Input of DFF3	Valid	Valid
	reg<551:550>	Reserved		Valid	Valid
45	reg<557:552>	Matrix OUT	IN1 of LUT3_0 or Data Input of DFF3	Valid	Valid
	reg<559:558>	Reserved		Valid	Valid
46	reg<565:560>	Matrix OUT	IN2 of LUT3_0 or RSTB (SETB) of DFF3	Valid	Valid
	reg<567:566>	Reserved		Valid	Valid



Address		Signal Function	Register Bit Definition	I <sup>2</sup> C Interface	
Byte	Register Bit			Read	Write
47	reg<573:568>	Matrix OUT	IN0 of LUT3_1 or Clock Input of DFF4	Valid	Valid
	reg<575:574>	Reserved		Valid	Valid
48	reg<581:576>	Matrix OUT	IN1 of LUT3_1 or Data Input of DFF4	Valid	Valid
	reg<583:582>	Reserved		Valid	Valid
49	reg<589:584>	Matrix OUT	IN2 of LUT3_1 or RSTB (SETB) of DFF4	Valid	Valid
	reg<591:590>	Reserved		Valid	Valid
4A	reg<597:592>	Matrix OUT	IN0 of LUT3_2 or Clock Input of DFF5	Valid	Valid
	reg<599:598>	Reserved		Valid	Valid
4B	reg<605:600>	Matrix OUT	IN1 of LUT3_2 or Data Input of DFF5	Valid	Valid
	reg<607:606>	Reserved		Valid	Valid
4C	reg<613:608>	Matrix OUT	IN2 of LUT3_2 or RSTB (SETB) of DFF5	Valid	Valid
	reg<615:614>	Reserved		Valid	Valid
4D	reg<621:616>	Matrix OUT	IN0 of LUT3_3 or Clock Input of DFF6	Valid	Valid
	reg<623:622>	Reserved		Valid	Valid
4E	reg<629:624>	Matrix OUT	IN1 of LUT3_3 or Data Input of DFF6	Valid	Valid
	reg<631:630>	Reserved		Valid	Valid
4F	reg<637:632>	Matrix OUT	IN2 of LUT3_3 or RSTB (SETB) of DFF6	Valid	Valid
	reg<639:638>	Reserved		Valid	Valid
50	reg<645:640>	Matrix OUT	IN0 of LUT3_4 or Clock Input of DFF7	Valid	Valid
	reg<647:646>	Reserved		Valid	Valid
51	reg<653:648>	Matrix OUT	IN1 of LUT3_4 or Data Input of DFF7	Valid	Valid
	reg<655:654>	Reserved		Valid	Valid
52	reg<661:656>	Matrix OUT	IN2 of LUT3_4 or RSTB (SETB) of DFF7	Valid	Valid
	reg<663:662>	Reserved		Valid	Valid
53	reg<669:664>	Matrix OUT	IN0 of LUT3_5 or Delay2 Input (or Counter2 RST Input)	Valid	Valid
	reg<671:670>	Reserved		Valid	Valid
54	reg<677:672>	Matrix OUT	IN1 of LUT3_5 or External Clock Input of Delay2 (or Counter2)	Valid	Valid
	reg<679:678>	Reserved		Valid	Valid
55	reg<685:680>	Matrix OUT	IN2 of LUT3_5	Valid	Valid
	reg<687:686>	Reserved		Valid	Valid
56	reg<693:688>	Matrix OUT	IN0 of LUT3_6 or Delay3 Input (or Counter3 RST Input)	Valid	Valid
	reg<695:694>	Reserved		Valid	Valid
57	reg<701:696>	Matrix OUT	IN1 of LUT3_6 or External Clock Input of Delay3 (or Counter3)	Valid	Valid
	reg<703:702>	Reserved		Valid	Valid
58	reg<709:704>	Matrix OUT	IN2 of LUT3_6	Valid	Valid
	reg<711:710>	Reserved		Valid	Valid



Address		Signal Function	Register Bit Definition	I <sup>2</sup> C Interface	
Byte	Register Bit			Read	Write
59	reg<717:712>	Matrix OUT	IN0 of LUT3_7 or Delay4 Input (or Counter4 RST Input)	Valid	Valid
	reg<719:718>	Reserved		Valid	Valid
5A	reg<725:720>	Matrix OUT	IN1 of LUT3_7 or External Clock Input of Delay4 (or Counter4)	Valid	Valid
	reg<727:726>	Reserved		Valid	Valid
5B	reg<733:728>	Matrix OUT	IN2 of LUT3_7	Valid	Valid
	reg<735:734>	Reserved		Valid	Valid
5C	reg<741:736>	Matrix OUT	IN0 of LUT3_8 or Delay5 Input (or Counter5 RST Input)	Valid	Valid
	reg<743:742>	Reserved		Valid	Valid
5D	reg<749:744>	Matrix OUT	IN1 of LUT3_8 or External Clock Input of Delay5 (or Counter5)	Valid	Valid
	reg<751:750>	Reserved		Valid	Valid
5E	reg<757:752>	Matrix OUT	IN2 of LUT3_8	Valid	Valid
	reg<759:758>	Reserved		Valid	Valid
5F	reg<765:760>	Matrix OUT	IN0 of LUT3_9 or Delay6 Input (or Counter6 RST Input)	Valid	Valid
	reg<767:766>	Reserved		Valid	Valid
60	reg<773:768>	Matrix OUT	IN1 of LUT3_9 or External Clock Input of Delay6 (or Counter6)	Valid	Valid
	reg<775:774>	Reserved		Valid	Valid
61	reg<781:776>	Matrix OUT	IN2 of LUT3_9	Valid	Valid
	reg<783:782>	Reserved		Valid	Valid
62	reg<789:784>	Matrix OUT	IN0 of LUT3_10 or Input of Pipe Delay	Valid	Valid
	reg<791:790>	Reserved		Valid	Valid
63	reg<797:792>	Matrix OUT	IN1 of LUT3_10 or RSTB of Pipe Delay	Valid	Valid
	reg<799:798>	Reserved		Valid	Valid
64	reg<805:800>	Matrix OUT	IN2 of LUT3_10 or Clock of Pipe Delay	Valid	Valid
	reg<807:806>	Reserved		Valid	Valid
65	reg<813:808>	Matrix OUT	IN0 of LUT4_0 or Delay0 Input (or Counter0 RST/SET Input)	Valid	Valid
	reg<815:814>	Reserved		Valid	Valid
66	reg<821:816>	Matrix OUT	IN1 of LUT4_0 or External Clock Input of Delay0 (or Counter0)	Valid	Valid
	reg<823:822>	Reserved		Valid	Valid
67	reg<829:824>	Matrix OUT	IN2 of LUT4_0 or UP Input of FSM0	Valid	Valid
	reg<831:830>	Reserved		Valid	Valid
68	reg<837:832>	Matrix OUT	IN3 of LUT4_0 or KEEP Input of FSM0	Valid	Valid
	reg<839:838>	Reserved		Valid	Valid
69	reg<845:840>	Matrix OUT	IN0 of LUT4_1 or Delay1 Input (or Counter1 RST/SET Input)	Valid	Valid
	reg<847:846>	Reserved		Valid	Valid



Address		Signal Function	Register Bit Definition	I <sup>2</sup> C Interface	
Byte	Register Bit			Read	Write
6A	reg<853:848>	Matrix OUT	IN1 of LUT4_1 or External Clock Input of Delay1 (or Counter1)	Valid	Valid
	reg<855:854>	Reserved		Valid	Valid
6B	reg<861:856>	Matrix OUT	IN2 of LUT4_1 or UP Input of FSM1	Valid	Valid
	reg<863:862>	Reserved		Valid	Valid
6C	reg<869:864>	Matrix OUT	IN3 of LUT4_1 or KEEP Input of FSM1	Valid	Valid
	reg<871:870>	Reserved		Valid	Valid
6D	reg<877:872>	Matrix OUT	PD of crystal oscillator by reg<1268>	Valid	Valid
	reg<879:878>	Reserved		Valid	Valid
<b>Reserved</b>					
6E	reg<887:880>	Reserved		Valid	Valid
6F	reg<895:888>	Reserved		Valid	Valid
70	reg<903:896>	Reserved		Valid	Valid
71	reg<911:904>	Reserved		Valid	Valid
72	reg<919:912>	Reserved		Valid	Valid
73	reg<927:920>	Reserved		Valid	Valid
74	reg<935:928>	Reserved		Valid	Valid
75	reg<943:936>	Reserved		Valid	Valid
76	reg<951:944>	Reserved		Valid	Valid
77	reg<959:952>	Reserved		Valid	Valid
78	reg<967:960>	Reserved		Valid	Valid
79	reg<975:968>	Reserved		Valid	Valid
7A	reg<983:976>	Reserved		Valid	Valid
7B	reg<991:984>	Reserved		Valid	Valid
7C	reg<999:992>	Reserved		Valid	Valid
7D	reg<1007:1000>	Reserved		Valid	Valid
7E	reg<1015:1008>	Reserved		Valid	Valid
7F	reg<1023:1016>	Reserved		Valid	Valid
<b>PIN 2</b>					
80	reg<1024>	Reserved		Valid	Valid
	reg<1025>	Reserved		Valid	Valid
	reg<1027:1026>	Reserved		Valid	Valid
	reg<1029:1028>	PIN2 Pull Down Resistor Value Selection	00: Floating 01: 10 K 10: 100 K 11: 1 M	Valid	Valid
	reg<1031:1030>	PIN2 Mode Control	00: Digital Input without Schmitt Trigger 01: Digital Input with Schmitt Trigger 10: Low Voltage Digital Input 11: Reserved	Valid	Valid
<b>Reserved</b>					



Address		Signal Function	Register Bit Definition	I <sup>2</sup> C Interface	
Byte	Register Bit			Read	Write
81	reg<1032>	Reserved			
	reg<1033>	Reserved			
	reg<1035:1034>	Reserved			
	reg<1037:1036>	Reserved			
	reg<1039:1038>	Reserved			
<b>PIN 3</b>					
82	reg<:1041>	PIN3 Driver Strength Selection	0: 1X 1: 2X	Valid	Valid
	reg<:1042>	PIN3 Pull Up/Down Resistor Selection	0: Pull Down Resistor 1: Pull Up Resistor	Valid	Valid
	reg<1044:1043>	PIN3 Pull Up/Down Resistor Value Selection	00: Floating 01: 10 K 10: 100 K 11: 1 M	Valid	Valid
	reg<1047:1045>	PIN3 Mode Control	000: Digital Input without Schmitt Trigger 001: Digital Input with Schmitt Trigger 010: Low Voltage Digital Input 011: Reserved 100: Push Pull 101: Open Drain NMOS 110: Open Drain PMOS 111: Open Drain NMOS	Valid	Valid
<b>Reserved</b>					
83	reg<1048>	Reserved			
	reg<1049>	Reserved			
	reg<1051:1050>	Reserved			
	reg<1053:1052>	Reserved			
	reg<1055:1054>	Reserved			
<b>PIN 4</b>					
84	reg<:1056>	Reserved		Valid	Valid
	reg<:1057>	PIN4 Driver Strength Selection	0: 1X 1: 2X	Valid	Valid
	reg<:1058>	PIN4 Pull Up/Down Resistor Selection	0: Pull Down Resistor 1: Pull Up Resistor	Valid	Valid
	reg<1060:1059>	PIN4 Pull Up/Down Resistor Value Selection	00: Floating 01: 10 K 10: 100 K 11: 1 M	Valid	Valid
	reg<1063:1061>	PIN4 Mode Control	000: Digital Input without Schmitt Trigger 001: Digital Input with Schmitt Trigger 010: Low Voltage Digital Input 011: Analog Input/Output 100: Push Pull 101: Open Drain NMOS 110: Open Drain PMOS 111: Analog Input & Open Drain	Valid	Valid





Address		Signal Function	Register Bit Definition	I <sup>2</sup> C Interface	
Byte	Register Bit			Read	Write
<b>PIN 5</b>					
85	reg<1064>	Reserved		Valid	Valid
	reg<1065>	PIN5 Pull Up/Down Resistor Selection	0: Pull Down Resistor 1: Pull Up Resistor	Valid	Valid
	reg<1067:1066>	PIN5 Pull Up/Down Resistor Value Selection	00: Floating 01: 10 K 10: 100 K 11: 1 M	Valid	Valid
	reg<1069:1068>	PIN5 Mode Control (sig_pin5_oe=0)	00: Digital Input without Schmitt Trigger 01: Digital Input with Schmitt Trigger 10: Low Voltage Digital Input 11: Analog Input/Output	Valid	Valid
	reg<1071:1070>	PIN5 Mode Control (sig_pin5_oe=1)	00: Push Pull 1X 01: Push Pull 2X 10: Open Drain NMOS 1X 11: Open Drain NMOS 2X	Valid	Valid
<b>PIN 6</b>					
86	reg<:1072>	Reserved		Valid	Valid
	reg<:1073>	IO6 Driver Strength Selection	0: 1X 1: 2X	Valid	Valid
	reg<:1074>	Select SCL & Virtual Input 0 or PIN6	0: SCL & Virtual Input 0 1: PIN6	Valid	Valid
	reg<1076:1075>	PIN6 (or SCL) Pull Down Resistor Value Selection	00: Floating 01: 10 K 10: 100 K 11: 1 M	Valid	Valid
	reg<1079:1077>	PIN6 (or SCL) Mode Control (input mode is selected by reg at SCL)	000: Digital Input without Schmitt Trigger 001: Digital Input with Schmitt Trigger 010: Low Voltage Digital Input 011: Reserved 100: Reserved 101: Open Drain NMOS 110: Reserved 111: Reserved	Valid	Valid



Address		Signal Function	Register Bit Definition	I <sup>2</sup> C Interface	
Byte	Register Bit			Read	Write
<b>PIN 7</b>					
87	reg<1080>	Reserved		Valid	Valid
	reg<1081>	PIN7 (or SDA) Driver Strength Selection	0: 1X (I <sup>2</sup> C up to 400 KHz) 1: 2X (I <sup>2</sup> C up to 1 MHz)	Valid	Valid
	reg<1082>	Select SDA & Virtual Input 1 or PIN7	0: SDA & Virtual Input 1 1: PIN7	Valid	Valid
	reg<1084:1083>	PIN7 (or SDA) Pull Down Resistor Value Selection	00: Floating 01: 10 K 10: 100 K 11: 1 M	Valid	Valid
	reg<1087:1085>	PIN9 (or SDA) Mode Control (input mode is selected by reg. But, output mode is fixed as OD at SDA)	000: Digital Input without Schmitt Trigger 001: Digital Input with Schmitt Trigger 010: Low Voltage Digital Input 011: Reserved 100: Reserved 101: Open Drain NMOS 110: Reserved 111: Reserved	Valid	Valid
<b>PIN 8</b>					
88	reg<1088>	PIN8 Super Drive (4X, NMOS Open Drain) Selection	0: Super Drive OFF 1: Super Drive ON (if sig_pin8_oe='1' & PIN8 Mode Control = '1X')	Valid	Valid
	reg<1089>	PIN8 Pull Up/Down Resistor Selection	0: Pull Down Resistor 1: Pull Up Resistor	Valid	Valid
	reg<1091:1090>	PIN8 Pull Up/Down Resistor Value Selection	00: Floating 01: 10 K 10: 100 K 11: 1 M	Valid	Valid
	reg<1093:1092>	PIN8 Mode Control (sig_pin8_oe=0)	00: Digital Input without Schmitt Trigger 01: Digital Input with Schmitt Trigger 10: Low Voltage Digital Input 11: Analog Input/Output	Valid	Valid
	reg<1095:1094>	PIN8 Mode Control (sig_pin8_oe=1)	00: Push Pull 1X 01: Push Pull 2X 10: Open Drain NMOS 1X 11: Open Drain NMOS 2X	Valid	Valid
<b>Reserved</b>					
8A	reg<1104>	Reserved			
	reg<1105>	Reserved			
	reg<1107:1106>	Reserved			
	reg<1109:1108>	Reserved			
	reg<1111:1110>	Reserved			



Address		Signal Function	Register Bit Definition	I <sup>2</sup> C Interface	
Byte	Register Bit			Read	Write
<b>PIN 11</b>					
8B	reg<1112>	Reserved		Valid	Valid
	reg<1113>	PIN11 Pull Up/Down Resistor Selection	0: Pull Down Resistor 1: Pull Up Resistor	Valid	Valid
	reg<1115:1114>	PIN11 Pull Up/Down Resistor Value Selection	00: Floating 01: 10 K 10: 100 K 11: 1 M	Valid	Valid
	reg<1117:1116>	PIN11 Mode Control (sig_pin11_oe=0)	00: Digital Input without Schmitt Trigger 01: Digital Input with Schmitt Trigger 10: Low Voltage Digital Input 11: Analog Input/Output	Valid	Valid
	reg<1119:1118>	PIN11 Mode Control (sig_pin11_oe=1)	00: Push Pull 1X 01: Push Pull 2X 10: Reserved 11: Reserved	Valid	Valid
<b>Reserved</b>					
8C	reg<1120>	Reserved			
	reg<1121>	Reserved			
	reg<1122>	Reserved			
	reg<1124:1123>	Reserved			
	reg<1127:1125>	Reserved			
<b>PIN 12</b>					
8D	reg<1128>	Reserved		Valid	Valid
	reg<1129>	PIN12 Pull Up/Down Resistor Selection	0: Pull Down Resistor 1: Pull Up Resistor	Valid	Valid
	reg<1131:1130>	PIN12 Pull Up/Down Resistor Value Selection	00: Floating 01: 10 K 10: 100 K 11: 1 M	Valid	Valid
	reg<1133:1132>	PIN12 Mode Control (sig_pin12_oe=0)	00: Digital Input without Schmitt Trigger 01: Digital Input with Schmitt Trigger 10: Low Voltage Digital Input 11: Reserved	Valid	Valid
	reg<1135:1134>	PIN12 Mode Control (sig_pin12_oe=1)	00: Push Pull 1X 01: Push Pull 2X 10: Open Drain NMOS 1X 11: Open Drain NMOS 2X	Valid	Valid



Address		Signal Function	Register Bit Definition	I <sup>2</sup> C Interface	
Byte	Register Bit			Read	Write
<b>PIN 13</b>					
8E	reg<1136>	X1 & X2 for crystal OSC enable	0: Disable 1: Enable	Valid	Valid
	reg<1137>	PIN13 Driver Strength Selection	0: 1X 1: 2X	Valid	Valid
	reg<1138>	PIN13 Pull Up/Down Resistor Selection	0: Pull Down Resistor 1: Pull Up Resistor	Valid	Valid
	reg<1140:1139>	PIN13 Pull Up/Down Resistor Value Selection	00: Floating 01: 10 K 10: 100 K 11: 1 M	Valid	Valid
	reg<1143:1141>	PIN13 Mode Control	000: Digital Input without Schmitt Trigger 001: Digital Input with Schmitt Trigger 010: Low Voltage Digital Input 011: Sel for XOSC (X1) 100: Push Pull 101: Open Drain NMOS 110: Open Drain PMOS 111: Open Drain NMOS	Valid	Valid
<b>Reserved</b>					
8F	reg<1144>	Reserved			
	reg<1145>	Reserved			
	reg<1147:1146>	Reserved			
	reg<1149:1148>	Reserved			
	reg<1151:1150>	Reserved			
<b>Reserved</b>					
90	reg<1152>	Reserved			
	reg<1153>	Reserved			
	reg<1155:1154>	Reserved			
	reg<1157:1156>	Reserved			
	reg<1159:1158>	Reserved			



Address		Signal Function	Register Bit Definition	I <sup>2</sup> C Interface	
Byte	Register Bit			Read	Write
<b>PIN 14</b>					
91	reg<:1160>	Reserved		Valid	Valid
	reg<:1161>	PIN14 Driver Strength Selection	0: 1X 1: 2X	Valid	Valid
	reg<:1162>	PIN14 Pull Up/Down Resistor Selection	0: Pull Down Resistor 1: Pull Up Resistor	Valid	Valid
	reg<1164:1163>	PIN14 Pull Up/Down Resistor Value Selection	00: Floating 01: 10 K 10: 100 K 11: 1 M	Valid	Valid
	reg<1167:1165>	PIN14 Mode Control	000: Digital Input without Schmitt Trigger 001: Digital Input with Schmitt Trigger 010: Low Voltage Digital Input 011: Reserved 100: Push Pull 101: Open Drain NMOS 110: Open Drain PMOS 111: Open Drain NMOS	Valid	Valid
<b>ACMP1</b>					
92	reg<1168>	ACMP1 Positive Input Source Select	0: IO8 1: ACMP0 IN+ source	Valid	Valid
	reg<1169>	ACMP1 Analog Buffer Enable (Max. BW 1MHz)	0: Disable analog buffer 1: Enable analog buffer	Valid	Valid
	reg<1171:1170>	ACMP1 Hysteresis Enable	00: 0 mV 01: 25 mV 10: 50 mV 11: 200 mV	Valid	Valid
<b>ACMP0</b>					
92	reg<1172>	ACMP0 Positive Input Source Select	0: IO4 1: VDD	Valid	Valid
	reg<1173>	ACMP0 Analog Buffer Enable (Max. BW 1MHz)	0: Disable analog buffer 1: Enable analog buffer	Valid	Valid
	reg<1175:1174>	ACMP0 Hysteresis Enable	00: 0 mV 01: 25 mV 10: 50 mV 11: 200 mV	Valid	Valid
<b>Reserved</b>					
93	reg<1177:1176>	Reserved			
	reg<1179:1178>	Reserved			
<b>ACMP2</b>					
93	reg<1180>	Reserved			
	reg<1182:1181>	ACMP2 Hysteresis Enable	00: 0 mV 01: 25 mV 10: 50 mV 11: 200 mV	Valid	Valid



Address		Signal Function	Register Bit Definition	I <sup>2</sup> C Interface	
Byte	Register Bit			Read	Write
<b>ACMP1 100 uA Current Source Enable</b>					
93	reg<1183>	ACMP1 100uA Current Source Enable	0: Disable 1: Enable	Valid	Valid
<b>LUT3_x Function Select</b>					
94	reg<1184>	LUT3_3 or DFF6 with RSTB/SETB Select	0: LUT3_3 1: DFF6 with RSTB/SETB	Valid	Valid
	reg<1185>	LUT3_2 or DFF5 with RSTB/SETB Select	0: LUT3_2 1: DFF5 with RSTB/SETB	Valid	Valid
	reg<1186>	LUT3_1 or DFF4 with RSTB/SETB Select	0: LUT3_1 1: DFF4 with RSTB/SETB	Valid	Valid
	reg<1187>	LUT3_0 or DFF3 with RSTB/SETB Select	0: LUT3_0 1: DFF3 with RSTB/SETB	Valid	Valid
<b>LUT2_x Function Select</b>					
94	reg<1188>	LUT2_3 or PGEN Select	0: LUT2_3 1: PGEN	Valid	Valid
	reg<1189>	LUT2_2 or DFF2 Select	0: LUT2_2 1: DFF2	Valid	Valid
	reg<1190>	LUT2_1 or DFF1 Select	0: LUT2_1 1: DFF1	Valid	Valid
	reg<1191>	LUT2_0 or DFF0 Select	0: LUT2_0 1: DFF0	Valid	Valid
<b>LUT4_x Function Select</b>					
95	reg<1192>	LUT4_1 or DLY/CNT1(16bits) Select	0: LUT4_1 1: DLY/CNT1(16bits)	Valid	Valid
	reg<1193>	LUT4_0 or DLY/CNT0(16bits) Select	0: LUT4_0 1: DLY/CNT0(16bits)	Valid	Valid
<b>LUT3_x Function Select</b>					
95	reg<1194>	LUT3_9 or DLY/CNT6(8bits) Select	0: LUT3_9 1: DLY/CNT6(8bits)	Valid	Valid
	reg<1195>	LUT3_8 or DLY/CNT5(8bits) Select	0: LUT3_8 1: DLY/CNT5(8bits)	Valid	Valid
	reg<1196>	LUT3_7 or DLY/CNT4(8bits) Select	0: LUT3_7 1: DLY/CNT4(8bits)	Valid	Valid
	reg<1197>	LUT3_6 or DLY/CNT3(8bits) Select	0: LUT3_6 1: DLY/CNT3(8bits)	Valid	Valid
	reg<1198>	LUT3_5 or DLY/CNT2(8bits) Select	0: LUT3_5 1: DLY/CNT2(8bits)	Valid	Valid
	reg<1199>	LUT3_4 or DFF7 with RSTB/SETB Select	0: LUT3_4 1: DFF7 with RSTB/SETB	Valid	Valid



Address		Signal Function	Register Bit Definition	I <sup>2</sup> C Interface	
Byte	Register Bit			Read	Write
<b>LUT2_1 / DFF1</b>					
96	reg<1200>	LUT2_1 <0>		Valid	Valid
	reg<1201>	LUT2_1 <1> / DFF1 Initial Polarity Select	0: Low 1: High	Valid	Valid
	reg<1202>	LUT2_1 <2> / DFF1 Output Select	0: Q output 1: QB output	Valid	Valid
	reg<1203>	LUT2_1 <3> / DFF1 or Latch Select	0: DFF function 1: Latch function	Valid	Valid
<b>LUT2_0 / DFF0</b>					
96	reg<1204>	LUT2_0 <0>		Valid	Valid
	reg<1205>	LUT2_0 <1> / DFF0 Initial Polarity Select	0: Low 1: High	Valid	Valid
	reg<1206>	LUT2_0 <2> / DFF0 Output Select	0: Q output 1: QB output	Valid	Valid
	reg<1207>	LUT2_0 <3> / DFF0 or Latch Select	0: DFF function 1: Latch function	Valid	Valid
<b>LUT2_3 / PGEN</b>					
97	reg<1211:1208>	LUT2_3<3:0> or PGEN 4bit counter data<3:0>		Valid	Valid
<b>LUT2_2 / DFF2</b>					
97	reg<1212>	LUT2_2 <0>		Valid	Valid
	reg<1213>	LUT2_2 <1> / DFF2 Initial Polarity Select	0: Low 1: High	Valid	Valid
	reg<1214>	LUT2_2 <2> / DFF2 Output Select	0: Q output 1: QB output	Valid	Valid
	reg<1215>	LUT2_2 <3> / DFF2 or Latch Select	0: DFF function 1: Latch function	Valid	Valid
<b>LUT3_0 / DFF3</b>					
98	reg<1219:1216>	LUT3_0 <3:0>		Valid	Valid
	reg<1220>	LUT3_0 <4> / DFF3 Initial Polarity Select	0: Low 1: High	Valid	Valid
	reg<1221>	LUT3_0 <5> / DFF3 RSTB or SETB Select	0: RSTB from Matrix Output 1: SETB from Matrix Output	Valid	Valid
	reg<1222>	LUT3_0 <6> / DFF3 Output Select	0: Q output 1: QB output	Valid	Valid
	reg<1223>	LUT3_0 <7> / DFF3 or Latch Select	0: DFF function 1: Latch function	Valid	Valid



Address		Signal Function	Register Bit Definition	I <sup>2</sup> C Interface	
Byte	Register Bit			Read	Write
<b>LUT3_1 / DFF4</b>					
99	reg<1227:1224>	LUT3_1 <3:0>		Valid	Valid
	reg<1228>	LUT3_1 <4> / DFF4 Initial Polarity Select	0: Low 1: High	Valid	Valid
	reg<1229>	LUT3_1 <5> / DFF4 RSTB or SETB Select	0: RSTB from Matrix Output 1: SETB from Matrix Output	Valid	Valid
	reg<1230>	LUT3_1 <6> / DFF4 Output Select	0: Q output 1: QB output	Valid	Valid
	reg<1231>	LUT3_1 <7> / DFF4 or Latch Select	0: DFF function 1: Latch function	Valid	Valid
<b>LUT3_2 / DFF5</b>					
9A	reg<1235:1232>	LUT3_2 <3:0>		Valid	Valid
	reg<1236>	LUT3_2 <4> / DFF5 Initial Polarity Select	0: Low 1: High	Valid	Valid
	reg<1237>	LUT3_2 <5> / DFF5 RSTB or SETB Select	0: RSTB from Matrix Output 1: SETB from Matrix Output	Valid	Valid
	reg<1238>	LUT3_2 <6> / DFF5 Output Select	0: Q output 1: QB output	Valid	Valid
	reg<1239>	LUT3_2 <7> / DFF5 or Latch Select	0: DFF function 1: Latch function	Valid	Valid
<b>LUT3_3 / DFF6</b>					
9B	reg<1243:1240>	LUT3_3 <3:0>		Valid	Valid
	reg<1244>	LUT3_3 <4> / DFF6 Initial Polarity Select	0: Low 1: High	Valid	Valid
	reg<1245>	LUT3_3 <5> / DFF6 RSTB or SETB Select	0: RSTB from Matrix Output 1: SETB from Matrix Output	Valid	Valid
	reg<1246>	LUT3_3 <6> / DFF6 Output Select	0: Q output 1: QB output	Valid	Valid
	reg<1247>	LUT3_3 <7> / DFF6 or Latch Select	0: DFF function 1: Latch function	Valid	Valid
<b>LUT3_4 / DFF7</b>					
9C	reg<1251:1248>	LUT3_4 <3:0>		Valid	Valid
	reg<1252>	LUT3_4 <4> / DFF7 Initial Polarity Select	0: Low 1: High	Valid	Valid
	reg<1253>	LUT3_4 <5> / DFF7 RSTB or SETB Select	0: RSTB from Matrix Output 1: SETB from Matrix Output	Valid	Valid
	reg<1254>	LUT3_4 <6> / DFF7 Output Select	0: Q output 1: QB output	Valid	Valid
	reg<1255>	LUT3_4 <7> / DFF7 or Latch Select	0: DFF function 1: Latch function	Valid	Valid
<b>LUT3_10 / Pipe Delay</b>					
9D	reg<1259:1256>	LUT3_10 <3:0> / Pipe Delay OUT0 Select		Valid	Valid
	reg<1263:1260>	LUT3_10 <7:4> / Pipe Delay OUT1 Select		Valid	Valid





Address		Signal Function	Register Bit Definition	I <sup>2</sup> C Interface	
Byte	Register Bit			Read	Write
9E	reg<1265:1264>	Select the Edge Mode of Programmable Delay & Edge Detector	00: Rising Edge Detector 01: Falling Edge Detector 10: Both Edge Detector 11: Both Edge Delay	Valid	Valid
	reg<1267:1266>	Delay Value Select for Programmable Delay & Edge Detector (VDD = 3.3 V, typical)	00: 125 ns 01: 250 ns 10: 375 ns 11: 500 ns	Valid	Valid
	reg<1269:1268>	Crystal oscillator Power down enable	00: No matrix PD 01: matrix PD for crystal oscillator 10: Reserved 11: Reserved	Valid	Valid
	reg<1270>	LUT3_10 or Pipe Delay Select	0: LUT3_10 1: Pipe Delay	Valid	Valid
	reg<1271>	Pipe Delay OUT1 Polarity Select	0: Non-inverted 1: Inverted	Valid	Valid
<b>DLY/CNT2</b>					
9F	reg<1273:1272>	DLY2 Mode Select or Asynchronous CNT2 Reset	00: On both Falling and Rising Edges (for Delay & Counter Reset) 01: on Falling Edge only (for Delay & Counter Reset) 10: on Rising Edge only (for Delay & Counter Reset) 11: No Delay on either Falling or Rising Edges / High Level Reset	Valid	Valid
	reg<1276:1274>	DLY/CNT2 Clock Source Select	000: Internal OSC clock 001: OSC/4 010: OSC/12 011: OSC/24 100: OSC/64 101: 25 MHz OSC clock 110: External Clock 111: Counter1 Overflow	Valid	Valid
	reg<1277>	DLY/CNT2 Output Selection if DLY/CNT2 Mode Selection is "11"	0: Default Output 1: Edge Detector Output	Valid	Valid
	reg<1279:1278>	DLY/CNT2 Mode Selection	00: Delay mode 01: One Shot 10: Freq. Detect 11: Counter mode	Valid	Valid



Address		Signal Function	Register Bit Definition	I <sup>2</sup> C Interface	
Byte	Register Bit			Read	Write
<b>DLY/CNT3</b>					
A0	reg<1281:1280>	DLY3 Mode Select or Asynchronous CNT3 Reset	00: On both Falling and Rising Edges (for Delay & Counter Reset) 01: on Falling Edge only (for Delay & Counter Reset) 10: on Rising Edge only (for Delay & Counter Reset) 11: No Delay on either Falling or Rising Edges / High Level Reset	Valid	Valid
	reg<1284:1282>	DLY/CNT3 Clock Source Select	000: Internal OSC clock 001: OSC/4 010: OSC/12 011: OSC/24 100: OSC/64 101: 25 MHz OSC clock 110: External Clock 111: Counter2 Overflow	Valid	Valid
	reg<1285>	DLY/CNT3 Output Selection if DLY/CNT3 Mode Selection is "11"	0: Default Output 1: Edge Detector Output	Valid	Valid
	reg<1287:1286>	DLY/CNT3 Mode Selection	00: Delay mode 01: One Shot 10: Freq. Detect 11: Counter mode	Valid	Valid
<b>DLY/CNT4</b>					
A1	reg<1289:1288>	DLY4 Mode Select or Asynchronous CNT4 Reset	00: On both Falling and Rising Edges (for Delay & Counter Reset) 01: on Falling Edge only (for Delay & Counter Reset) 10: on Rising Edge only (for Delay & Counter Reset) 11: No Delay on either Falling or Rising Edges / High Level Reset	Valid	Valid
	reg<1292:1290>	DLY/CNT4 Clock Source Select	000: Internal OSC clock 001: OSC/4 010: OSC/12 011: OSC/24 100: OSC/64 101: 25 MHz OSC clock 110: External Clock 111: Counter3 Overflow	Valid	Valid
	reg<1293>	DLY/CNT4 Output Selection if DLY/CNT4 Mode Selection is "11"	0: Default Output 1: Edge Detector Output	Valid	Valid
	reg<1295:1294>	DLY/CNT4 Mode Selection	00: Delay mode 01: One Shot 10: Freq. Detect 11: Counter mode	Valid	Valid



Address		Signal Function	Register Bit Definition	I <sup>2</sup> C Interface	
Byte	Register Bit			Read	Write
<b>DLY/CNT5</b>					
A2	reg<1297:1296>	DLY5 Mode Select or Asynchronous CNT5 Reset	00: On both Falling and Rising Edges (for Delay & Counter Reset) 01: on Falling Edge only (for Delay & Counter Reset) 10: on Rising Edge only (for Delay & Counter Reset) 11: No Delay on either Falling or Rising Edges / High Level Reset	Valid	Valid
	reg<1300:1298>	DLY/CNT5 Clock Source Select	000: Internal OSC clock 001: OSC/4 010: OSC/12 011: OSC/24 100: OSC/64 101: 25 MHz OSC clock 110: External Clock 111: Counter4 Overflow	Valid	Valid
	reg<1301>	DLY/CNT5 Output Selection if DLY/CNT5 Mode Selection is "11"	0: Default Output 1: Edge Detector Output	Valid	Valid
	reg<1303:1302>	DLY/CNT5 Mode Selection	00: Delay mode 01: One Shot 10: Freq. Detect 11: Counter mode	Valid	Valid
<b>DLY/CNT6</b>					
A3	reg<1305:1304>	DLY6 Mode Select or Asynchronous CNT6 Reset	00: On both Falling and Rising Edges (for Delay & Counter Reset) 01: on Falling Edge only (for Delay & Counter Reset) 10: on Rising Edge only (for Delay & Counter Reset) 11: No Delay on either Falling or Rising Edges / High Level Reset	Valid	Valid
	reg<1308:1306>	DLY/CNT6 Clock Source Select	000: Internal OSC clock 001: OSC/4 010: OSC/12 011: OSC/24 100: OSC/64 101: 25MHz OSC clock 110: External Clock 111: Counter5 Overflow	Valid	Valid
	reg<1309>	DLY/CNT6 Output Selection if DLY/CNT6 Mode Selection is "11"	0: Default Output 1: Edge Detector Output	Valid	Valid
	reg<1311:1310>	DLY/CNT6 Mode Selection	00: Delay mode 01: One Shot 10: Freq. Detect 11: Counter mode	Valid	Valid



Address		Signal Function	Register Bit Definition	I <sup>2</sup> C Interface	
Byte	Register Bit			Read	Write
<b>DLY/CNT0</b>					
A4	reg<1313:1312>	DLY0 Mode Select or Asynchronous CNT0 Reset (16bits)	00: On both Falling and Rising Edges (for Delay & Counter Reset) 01: on Falling Edge only (for Delay & Counter Reset) 10: on Rising Edge only (for Delay & Counter Reset) 11: No Delay on either Falling or Rising Edges / High Level Reset or Set	Valid	Valid
	reg<1316:1314>	DLY/CNT0 Clock Source Select (16bits)	000: Internal OSC clock 001: OSC/4 010: OSC/12 011: OSC/24 100: OSC/64 101: 25 MHz OSC clock 110: External Clock 111: Counter6 Overflow	Valid	Valid
	reg<1317>	CNT0/FSM0's Q are Set to data or Reset to 0s Selection (16bits)	0: Reset to 0s 1: Set to data (Reg<1583:1576, 1591:1584>)	Valid	Valid
	reg<1319:1318>	DLY/CNT0 Mode Selection (16bits)	00: Delay mode 01: One Shot 10: Freq. Detect 11: Counter mode	Valid	Valid
<b>DLY/CNT1</b>					
A5	reg<1321:1320>	DLY1 Mode Select or Asynchronous CNT1 Reset (16bits)	00: On both Falling and Rising Edges (for Delay & Counter Reset) 01: on Falling Edge only (for Delay & Counter Reset) 10: on Rising Edge only (for Delay & Counter Reset) 11: No Delay on either Falling or Rising Edges / High Level Reset or Set	Valid	Valid
	reg<1324:1322>	DLY/CNT1 Clock Source Select (16bits)	000: Internal OSC clock 001: OSC/4 010: OSC/12 011: OSC/24 100: OSC/64 101: 25 MHz OSC clock 110: External Clock 111: Counter0 Overflow	Valid	Valid
	reg<1325>	CNT1/FSM1's Q are Set to data or Reset to 0s Selection (16bits)	0: Reset to 0 s 1: Set to data (Reg<1599:1592, 1607:1600>)	Valid	Valid
	reg<1327:1326>	DLY/CNT1 Mode Selection (16bits)	00: Delay mode 01: One Shot 10: Freq. Detect 11: Counter mode	Valid	Valid



Address		Signal Function	Register Bit Definition	I <sup>2</sup> C Interface	
Byte	Register Bit			Read	Write
<b>DLY/CNTx One-Shot / Freq. Detect Output Polarity</b>					
A6	reg<1328>	Reserved		Valid	Valid
	reg<1329>	Select the Polarity of DLY/CNT6's One Shot / Freq. Detect Output	0: Default Output 1: Inverted Output	Valid	Valid
	reg<1330>	Select the Polarity of DLY/CNT5's One Shot / Freq. Detect Output	0: Default Output 1: Inverted Output	Valid	Valid
	reg<1331>	Select the Polarity of DLY/CNT4's One Shot / Freq. Detect Output	0: Default Output 1: Inverted Output	Valid	Valid
	reg<1332>	Select the Polarity of DLY/CNT3's One Shot / Freq. Detect Output	0: Default Output 1: Inverted Output	Valid	Valid
	reg<1333>	Select the Polarity of DLY/CNT2's One Shot / Freq. Detect Output	0: Default Output 1: Inverted Output	Valid	Valid
	reg<1334>	Select the Polarity of DLY/CNT1's One Shot / Freq. Detect Output	0: Default Output 1: Inverted Output	Valid	Valid
	reg<1335>	Select the Polarity of DLY/CNT0's One Shot / Freq. Detect Output	0: Default Output 1: Inverted Output	Valid	Valid
<b>Oscillator</b>					
A7	reg<1337:1336>	OSC Clock Pre-divider for 25 MHz	00: Div1 01: Div2 10: Div4 11: Div8	Valid	Valid
	reg<1338>	OSC Fast Start-Up Enable for 25KHz/2MHz	0: Disable 1: Enable	Valid	Valid
	reg<1340:1339>	OSC Clock Pre-divider for 25KHz/2MHz	00: Div1 01: Div2 10: Div4 11: Div8	Valid	Valid
	reg<1341>	Force 25 MHz Oscillator ON	0: Auto Power ON (If any CNT/DLY use 25 MHz source) 1: Force Power ON	Valid	Valid
	reg<1342>	Oscillator (25 KHz: Ring OSC, 2 M: RC-OSC) Select	0: 25 KHz Ring OSC 1: 2 MHz RC-OSC	Valid	Valid
	reg<1343>	Force 25 KHz/2 MHz Oscillator ON	0: Auto Power ON (if any CNT/DLY use 25 K/2 MHz source) 1: Force Power ON	Valid	Valid



Address		Signal Function	Register Bit Definition	I <sup>2</sup> C Interface	
Byte	Register Bit			Read	Write
A8	reg<1346:1344>	Internal OSC 25 KHz/2 MHz Frequency Divider Control for matrix input <28>	000: OSC/1 001: OSC/2 010: OSC/3 011: OSC/4 100: OSC/8 101: OSC/12 110: OSC/24 111: OSC/64	Valid	Valid
	reg<1349:1347>	Internal OSC 25 KHz/2 MHz Frequency Divider Control for matrix input <27>	000: OSC/1 001: OSC/2 010: OSC/3 011: OSC/4 100: OSC/8 101: OSC/12 110: OSC/24 111: OSC/64	Valid	Valid
	reg<1350>	OSC Clock 25 KHz/2 MHz to matrix input <28> enable	0: Disable 1: Enable	Valid	Valid
	reg<1351>	OSC Clock 25 KHz/2 MHz to matrix input <27> enable	0: Disable 1: Enable	Valid	Valid
A9	reg<1354:1352>	Reserved		Valid	Valid
	reg<1355>	Reserved	Reserved	Valid	Valid
	reg<1356>	OSC Clock 25 MHz to matrix input <29> enable	0: Disable 1: Enable	Valid	Valid
	reg<1357>	External Clock Source Select instead of 25 MHz	0: Internal Oscillator 1: External Clock from Pin13	Valid	Valid
	reg<1358>	External Clock Source Select instead of 25 KHz/2 MHz	0: Internal Oscillator 1: External Clock from Pin14	Valid	Valid
	reg<1359>	DLY/CNT1 stop & restarting enable in CNT mode when new data is loaded	0: Disable 1: Enable	Valid	Valid
<b>LUT3 or DFF</b>					
AA	reg<1360>	Reserved		Valid	Valid
	reg<1361>	LUT3_17 or DFF14 with RSTB/SETB Select	0: LUT3_17 1: DFF14 with RSTB/SETB	Valid	Valid
	reg<1362>	LUT3_16 or DFF13 with RSTB/SETB Select	0: LUT3_16 1: DFF13 with RSTB/SETB	Valid	Valid
	reg<1363>	LUT3_15 or DFF12 with RSTB/SETB Select	0: LUT3_15 1: DFF12 with RSTB/SETB	Valid	Valid
	reg<1364>	LUT3_14 or DFF11 with RSTB/SETB Select	0: LUT3_14 1: DFF11 with RSTB/SETB	Valid	Valid
	reg<1365>	LUT3_13 or DFF10 with RSTB/SETB Select	0: LUT3_13 1: DFF10 with RSTB/SETB	Valid	Valid
	reg<1366>	LUT3_12 or DFF9 with RSTB/SETB Select	0: LUT3_12 1: DFF9 with RSTB/SETB	Valid	Valid
	reg<1367>	LUT3_11 or DFF8 with RSTB/SETB Select	0: LUT3_11 1: DFF8 with RSTB/SETB	Valid	Valid



Address		Signal Function	Register Bit Definition	I <sup>2</sup> C Interface	
Byte	Register Bit			Read	Write
AB	reg<1371:1368>	LUT3_11 <3:0>		Valid	Valid
	reg<1372>	LUT3_11 <4> / DFF8 Initial Polarity Select	0: Low 1: High	Valid	Valid
	reg<1373>	LUT3_11 <5> / DFF8 RSTB or SETB Select	0: RSTB from Matrix Output 1: SETB from Matrix Output	Valid	Valid
	reg<1374>	LUT3_11 <6> / DFF8 Output Select	0: Q output 1: QB output	Valid	Valid
	reg<1375>	LUT3_11 <7> / DFF8 or Latch Select	0: DFF function 1: Latch function	Valid	Valid
AC	reg<1379:1376>	LUT3_12 <3:0>		Valid	Valid
	reg<1380>	LUT3_12 <4> / DFF9 Initial Polarity Select	0: Low 1: High	Valid	Valid
	reg<1381>	LUT3_12 <5> / DFF9 RSTB or SETB Select	0: RSTB from Matrix Output 1: SETB from Matrix Output	Valid	Valid
	reg<1382>	LUT3_12 <6> / DFF9 Output Select	0: Q output 1: QB output	Valid	Valid
	reg<1383>	LUT3_12 <7> / DFF9 or Latch Select	0: DFF function 1: Latch function	Valid	Valid
AD	reg<1387:1384>	LUT3_13 <3:0>		Valid	Valid
	reg<1388>	LUT3_13 <4> / DFF10 Initial Polarity Select	0: Low 1: High	Valid	Valid
	reg<1389>	LUT3_13 <5> / DFF10 RSTB or SETB Select	0: RSTB from Matrix Output 1: SETB from Matrix Output	Valid	Valid
	reg<1390>	LUT3_13 <6> / DFF10 Output Select	0: Q output 1: QB output	Valid	Valid
	reg<1391>	LUT3_13 <7> / DFF10 or Latch Select	0: DFF function 1: Latch function	Valid	Valid
AE	reg<1395:1392>	LUT3_14 <3:0>		Valid	Valid
	reg<1396>	LUT3_14 <4> / DFF11 Initial Polarity Select	0: Low 1: High	Valid	Valid
	reg<1397>	LUT3_14 <5> / DFF11 RSTB or SETB Select	0: RSTB from Matrix Output 1: SETB from Matrix Output	Valid	Valid
	reg<1398>	LUT3_14 <6> / DFF11 Output Select	0: Q output 1: QB output	Valid	Valid
	reg<1399>	LUT3_14 <7> / DFF11 or Latch Select	0: DFF function 1: Latch function	Valid	Valid
AF	reg<1403:1400>	LUT3_15 <3:0>		Valid	Valid
	reg<1404>	LUT3_15 <4> / DFF12 Initial Polarity Select	0: Low 1: High	Valid	Valid
	reg<1405>	LUT3_15 <5> / DFF12 RSTB or SETB Select	0: RSTB from Matrix Output 1: SETB from Matrix Output	Valid	Valid
	reg<1406>	LUT3_15 <6> / DFF12 Output Select	0: Q output 1: QB output	Valid	Valid
	reg<1407>	LUT3_15 <7> / DFF12 or Latch Select	0: DFF function 1: Latch function	Valid	Valid



Address		Signal Function	Register Bit Definition	I <sup>2</sup> C Interface	
Byte	Register Bit			Read	Write
B0	reg<1411:1408>	LUT3_16 <3:0>		Valid	Valid
	reg<1412>	LUT3_16 <4> / DFF13 Initial Polarity Select	0: Low 1: High	Valid	Valid
	reg<1413>	LUT3_16 <5> / DFF13 RSTB or SETB Select	0: RSTB from Matrix Output 1: SETB from Matrix Output	Valid	Valid
	reg<1414>	LUT3_16 <6> / DFF13 Output Select	0: Q output 1: QB output	Valid	Valid
	reg<1415>	LUT3_16 <7> / DFF13 or Latch Select	0: DFF function 1: Latch function	Valid	Valid
B1	reg<1419:1416>	LUT3_17 <3:0>		Valid	Valid
	reg<1420>	LUT3_17 <4> / DFF14 Initial Polarity Select	0: Low 1: High	Valid	Valid
	reg<1421>	LUT3_17 <5> / DFF14 RSTB or SETB Select	0: RSTB from Matrix Output 1: SETB from Matrix Output	Valid	Valid
	reg<1422>	LUT3_17 <6> / DFF14 Output Select	0: Q output 1: QB output	Valid	Valid
	reg<1423>	LUT3_17 <7> / DFF14 or Latch Select	0: DFF function 1: Latch function	Valid	Valid
B2	reg<1431:1424>	LUT4_2 <15:0> = <1439:1424>		Valid	Valid
B3	reg<1439:1432>			Valid	Valid
B4	reg<1442:1440>	Reserved		Valid	Valid
	reg<1443>	Reserved		Valid	Valid
	reg<1446:1444>	Reserved		Valid	Valid
	reg<1447>	Reserved		Valid	Valid
B5	reg<1450:1448>	Reserved		Valid	Valid
	reg<1451>	Reserved		Valid	Valid
	reg<1454:1452>	Reserved		Valid	Valid
	reg<1455>	Reserved		Valid	Valid
<b>Filter / Edge Detector</b>					
B6	reg<1457:1456>	Select the edge mode of Edge Detector_1	00: Rising Edge 01: Falling Edge 10: Both Edge 11: Delay	Valid	Valid
	reg<1458>	Filter_1/Edge Detector_1 output Polarity Select	0: Filter_1 output 1: Filter_1 output inverted	Valid	Valid
	reg<1459>	Filter_1 or Edge Detector_1 Select (Typ. 30 ns @VDD=3.3 V)	0: Filter_1 1: Edge Detector_1	Valid	Valid
	reg<1461:1460>	Select the edge mode of Edge Detector_0	00: Rising Edge 01: Falling Edge 10: Both Edge 11: Delay	Valid	Valid
	reg<1462>	Filter_0/Edge Detector_0 output Polarity Select	0: Filter_0 output 1: Filter_0 output inverted	Valid	Valid
	reg<1463>	Filter_0 or Edge Detector_0 Select (Typ. 47 ns @VDD=3.3 V)	0: Filter_0 1: Edge Detector_0	Valid	Valid





Address		Signal Function	Register Bit Definition	I <sup>2</sup> C Interface	
Byte	Register Bit			Read	Write
<b>VREF / Bandgap</b>					
B7	reg<1465:1464>	Reserved		Valid	Valid
	reg<1466>	Bandgap OK for ACMP Output Delay Time Select, the start Time is "resetb_core go to High"	0: 500 uS 1: 50 uS	Valid	Valid
	reg<1467>	Reserved		Valid	Valid
	reg<1468>	Reserved		Valid	Valid
	reg<1469>	Reserved		Valid	Valid
	reg<1470>	Reserved		Valid	Valid
	reg<1471>	Two consecutive DFFs enable for SM	0: Disable 1: Enable	Valid	Valid
B8	reg<1474:1472>	Power divider (VDD/3, VDD/4) ON/OFF	0XX: Power divider off (if there is no use of VDD/3, VDD/4 @ ACMP negative in) 100: Reservedb X10: Reserved XX1:Reserved	Valid	Valid
	reg<1475>	VDD Bypass Enable when device power is 1.8 V	0: Regulator Auto ON 1: Regulator OFF (VDD Bypass)	Valid	Valid
	reg<1476>	Force Bandgap ON	0: Auto-Mode 1: Enable (if chip is Power Down, the Bandgap will Power Down even if it is Set to 1)	Valid	Valid
	reg<1477>	NVM Power Down	0: None (Or Programming Enable) 1: Power Down (Or Programming Dis-able)	Valid	Valid
	reg<1478>	Reserved		Valid	Valid
	reg<1479>	GPIO Quick Charge Enable	0: Disable 1: Enable	Valid	Valid
B9	reg<1482:1480>	Reserved		Valid	Valid
	reg<1483>	Reserved		Valid	Valid
	reg<1486:1484>	Reserved		Valid	Valid
	reg<1487>	Reserved		Valid	Valid



Address		Signal Function	Register Bit Definition	I <sup>2</sup> C Interface	
Byte	Register Bit			Read	Write
BA	reg<1488>	Reserved		Valid	Valid
	reg<1489>	Wake time Selection in Wake Sleep Mode	0: short wake time 1: normal wake time	Valid	Valid
	reg<1490>	ACMP0 Wake & Sleep function Enable	0: Disable 1: Enable	Valid	Valid
	reg<1491>	ACMP1 Wake & Sleep function Enable	0: Disable 1: Enable	Valid	Valid
	reg<1492>	ACMP2 Wake & Sleep function Enable	0: Disable 1: Enable	Valid	Valid
	reg<1493>	Reserved		Valid	Valid
	reg<1494>	Wake Sleep Output State When WS Oscillator is OFF or DLY/CNT0 high level set/reset at DLY/CNT0 Mode Selection is "11"	0: Low 1: High	Valid	Valid
	reg<1495>	Wake Sleep Ratio Control Mode Selection if DLY/CNT0 Mode Selection is "11"	0: Default Mode 1: Wake Sleep Ratio Control Mode	Valid	Valid
BB	reg<1503:1496>	Reserved		Valid	Valid
BC	reg<1511:1504>	Reserved		Valid	Valid
BD	reg<1519:1512>	Reserved		Valid	Valid
BE	reg<1527:1520>	Reserved		Valid	Valid
BF	reg<1535:1528>	Reserved		Valid	Valid
<b>LUT / DLY/CNT Control Data</b>					
C0	reg<1543:1536>	LUT3_5 <7:0> or DLY/CNT2 Control Data	1 - 255 (Delay Time = [Counter Control Data + 1] / Freq)	Valid	Valid
C1	reg<1551:1544>	LUT3_6 <7:0> or DLY/CNT3 Control Data	1 - 255 (Delay Time = [Counter Control Data + 1] / Freq)	Valid	Valid
C2	reg<1559:1552>	LUT3_7 <7:0> or DLY/CNT4 Control Data	1 - 255 (Delay Time = [Counter Control Data + 1] / Freq)	Valid	Valid
C3	reg<1567:1560>	LUT3_8 <7:0> or DLY/CNT5 Control Data	1 - 255 (Delay Time = [Counter Control Data + 1] / Freq)	Valid	Valid
C4	reg<1575:1568>	LUT3_9 <7:0> or DLY/CNT6 Control Data	1 - 255 (Delay Time = [Counter Control Data + 1] / Freq)	Valid	Valid
C5	reg<1583:1576>	LUT4_0 <15:0> or DLY/CNT0 (16bits, <15:0> = <1591:1576>) Control Data	1 - 16535 (Delay Time = [Counter Control Data + 2] / Freq)	Valid	Valid
C6	reg<1591:1584>				
C7	reg<1599:1592>	LUT4_1 <15:0> or DLY/CNT1 (16bits, <15:0> = <1607:1592>) Control Data	1 - 65535 (Delay Time = [Counter Control Data + 2] / Freq)	Valid	Valid
C8	reg<1607:1600>				
C9	reg<1615:1608>	PGEN pattern data <15:0> = <1623:1608>		Valid	Valid
CA	reg<1623:1616>				



Address		Signal Function	Register Bit Definition	I <sup>2</sup> C Interface	
Byte	Register Bit			Read	Write
<b>ACMP0</b>					
CB	reg<1628:1624>	ACMP0-IN Voltage Select	00000: 50 mV    00001: 100 mV 00010: 150 mV    00011: 200 mV 00100: 250 mV    00101: 300 mV 00110: 350 mV    00111: 400 mV 01000: 450 mV    01001: 500 mV 01010: 550 mV    01011: 600 mV 01100: 650 mV    01101: 700 mV 01110: 750 mV    01111: 800 mV 10000: 850 mV    10001: 900 mV 10010: 950 mV    10011: 1 V 10100: 1.05 V    10101: 1.1 V 10110: 1.15 V    10111: 1.2 V 11000: VDD/3    11001: VDD/4 11010: PIN10: EXT_VREF 11011: PIN5: ACMP0- 11100: PIN10: EXT_VREF/2 11101: PIN5: ACMP0-/2	Valid	Valid
	reg<1630:1629>	ACMP0 Positive Input Divider	00: 1.0X 01: 0.5X 10: 0.33X 11: 0.25X	Valid	Valid
	reg<1631>	ACMP0 Low Bandwidth (MAX: 1 MHz) Enable	0: OFF 1: ON	Valid	Valid
<b>ACMP1</b>					
CC	reg<1636:1632>	ACMP1-IN Voltage Select	00000: 50 mV    00001: 100 mV 00010: 150 mV    00011: 200 mV 00100: 250 mV    00101: 300 mV 00110: 350 mV    00111: 400 mV 01000: 450 mV    01001: 500 mV 01010: 550 mV    01011: 600 mV 01100: 650 mV    01101: 700 mV 01110: 750 mV    01111: 800 mV 10000: 850 mV    10001: 900 mV 10010: 950 mV    10011: 1 V 10100: 1.05 V    10101: 1.1 V 10110: 1.15 V    10111: 1.2 V 11000: VDD/3    11001: VDD/4 11010: PIN10: EXT_VREF 11011: PIN10: EXT_VREF 11100: PIN10: EXT_VREF/2 11101: PIN10: EXT_VREF/2	Valid	Valid
	reg<1638:1637>	ACMP1 Positive Input Divider	00: 1.0X 01: 0.5X 10: 0.33X 11: 0.25X	Valid	Valid
	reg<1639>	ACMP1 Low Bandwidth (MAX: 1 MHz) Enable	0: OFF 1: ON	Valid	Valid



Address		Signal Function	Register Bit Definition	I <sup>2</sup> C Interface	
Byte	Register Bit			Read	Write
<b>ACMP2</b>					
CD	reg<1644:1640>	ACMP2-IN Voltage Select	00000: 50 mV    00001: 100 mV 00010: 150 mV    00011: 200 mV 00100: 250 mV    00101: 300 mV 00110: 350 mV    00111: 400 mV 01000: 450 mV    01001: 500 mV 01010: 550 mV    01011: 600 mV 01100: 650 mV    01101: 700 mV 01110: 750 mV    01111: 800 mV 10000: 850 mV    10001: 900 mV 10010: 950 mV    10011: 1 V 10100: 1.05 V    10101: 1.1 V 10110: 1.15 V    10111: 1.2 V 11000: VDD/3    11001: VDD/4 11010: PIN10: EXT_VREF 11011: Reserved 11100: PIN10: EXT_VREF/2 11101: Reserved	Valid	Valid
	reg<1646:1645>	ACMP2 Positive Input Divider	00: 1.0X 01: 0.5X 10: 0.33X 11: 0.25X	Valid	Valid
	reg<1647>	ACMP2 Low Bandwidth (MAX: 1 MHz) Enable	0: OFF 1: ON	Valid	Valid
<b>Reserved</b>					
CE	reg<1652:1648>	Reserved			
		Reserved			
	reg<1655>	Reserved			
<b>Misc.</b>					
CF	reg<1656>	Reserved		Valid	Valid
	reg<1657>	Switch from "Matrix OUT: OSC 25MHz PD" to "Matrix OUT: OSC 25 MHz Force On"	0: OSC PD 1: OSC Force On (Matrix Output <59>)	Valid	Valid
	reg<1658>	Switch from "Matrix OUT: OSC 25 KHz/2 MHz PD" to "Matrix OUT: OSC 25 KHz/2 MHz Force On"	0: OSC PD 1: OSC Force On (Matrix Output <58>)	Valid	Valid
	reg<1659>	Reserved		Valid	Valid
	reg<1660>	Reserved		Valid	Valid
	reg<1661>	Reserved		Valid	Valid
	reg<1662>	I <sup>2</sup> C reset bit with reloading NVM into Data register	0: Keep existing condition 1: Reset execution	Valid	Valid
	reg<1663>	Reserved		Valid	Valid
D0	reg<1671:1664>	Customer configurable RAM8		Valid	Valid
D1	reg<1679:1672>	Customer configurable RAM9		Valid	Valid
D2	reg<1687:1680>	Customer configurable RAM10		Valid	Valid
D3	reg<1695:1688>	Customer configurable RAM11		Valid	Valid
D4	reg<1703:1696>	Customer configurable RAM12		Valid	Valid
D5	reg<1711:1704>	Customer configurable RAM13		Valid	Valid



Address		Signal Function	Register Bit Definition	I <sup>2</sup> C Interface	
Byte	Register Bit			Read	Write
D6	reg<1719:1712>	Customer configurable RAM14		Valid	Valid
D7	reg<1727:1720>	Customer configurable RAM15		Valid	Valid
D8	reg<1735:1728>	Customer configurable RAM0		Invalid	Invalid
D9	reg<1743:1736>	Customer configurable RAM1		Invalid	Invalid
DA	reg<1751:1744>	Customer configurable RAM2		Invalid	Invalid
DB	reg<1759:1752>	Customer configurable RAM3		Invalid	Invalid
DC	reg<1767:1760>	Customer configurable RAM4		Invalid	Invalid
DD	reg<1775:1768>	Customer configurable RAM5		Invalid	Invalid
DE	reg<1783:1776>	Customer configurable RAM6		Invalid	Invalid
DF	reg<1791:1784>	Customer configurable RAM7		Invalid	Invalid
E0	reg<1799:1792>	Reserved		Invalid	Invalid
E1	reg<1807:1800>	Reserved		Invalid	Invalid
E2	reg<1815:1808>	Reserved		Invalid	Invalid
E3	reg<1823:1816>	Reserved		Invalid	Invalid
E4	reg<1831:1824>	Reserved		Valid	Valid
E5	reg<1832>	I <sup>2</sup> C lock for read bits <1535:0> (Bank 0/1/2)	0: Disable (Programmed data can be read.), 1: Enable (Programmed data can't be read.)	Valid	Invalid
	reg<1833>	Reserved		Valid	Invalid
	reg<1835:1834>	Reserved		Valid	Invalid
	reg<1839:1836>	Reserved		Valid	Invalid
E6	reg<1847:1840>	16-bit Pattern ID Byte 0 (From NVM): ID[23:16]		Valid	Valid
E7	reg<1855:1848>	Reserved		Valid	Invalid
E8	reg<1863:1856>	Reserved		Valid	Invalid
E9	reg<1867:1864>	I <sup>2</sup> C Control Code Bit [3:0]	Value for slave address	Valid	Invalid
	reg<1868>	Reserved		Valid	Valid
	reg<1869>	Reserved		Valid	Valid
	reg<1870>	I <sup>2</sup> C lock for write all bits (Bank 0/1/2/3)	0: writable 1: Non-writable	Valid	Valid
	reg<1871>	I <sup>2</sup> C lock for write bits <1535:0> (Bank 0/1/2)	0: writable 1: Non-writable	Valid	Invalid
EA	reg<1879:1872>	CNT4 Counted Value		Valid	Invalid
EB	reg<1887:1880>	CNT0 (16bits) = <1895:1880> Counted Value		Valid	Invalid
EC	reg<1895:1888>			Valid	Invalid
ED	reg<1903:1896>	CNT6 Counted Value		Valid	Invalid
EE	reg<1911:1904>	CNT1 (16bits) = <1919:1904> Counted Value		Valid	Invalid
EF	reg<1919:1912>			Valid	Invalid



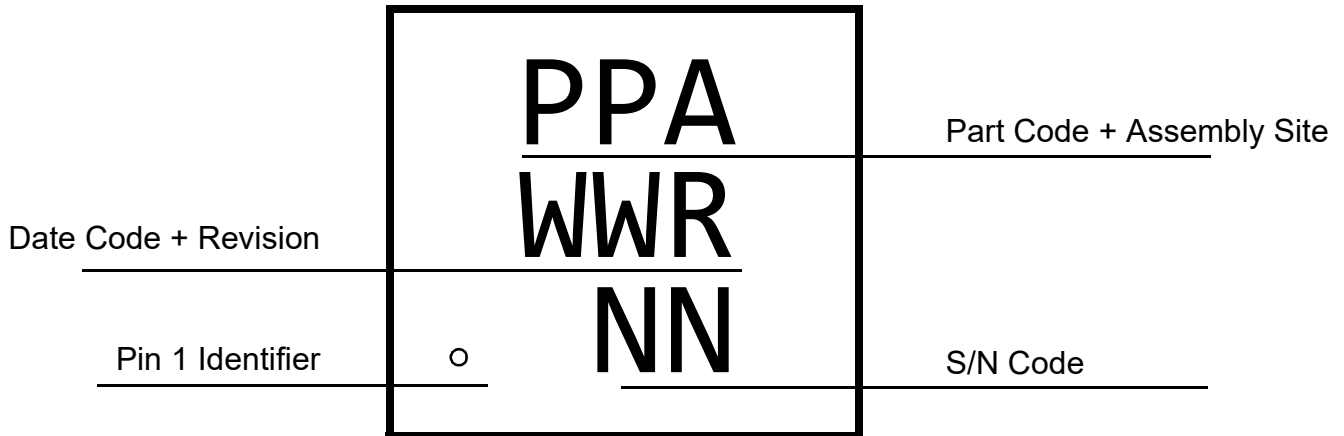
Address		Signal Function	Register Bit Definition	I <sup>2</sup> C Interface	
Byte	Register Bit			Read	Write
<b>Matrix Input</b>					
F0	reg<1920>	Matrix Input 0	GND	Valid	Invalid
	reg<1921>	Matrix Input 1	Pin2 Digital Input	Valid	Invalid
	reg<1922>	Reserved	GND	Valid	Invalid
	reg<1923>	Matrix Input 3	Pin3 Digital Input	Valid	Invalid
	reg<1924>	Reserved	GND	Valid	Invalid
	reg<1925>	Matrix Input 5	Pin4 Digital Input	Valid	Invalid
	reg<1926>	Matrix Input 6	Pin5 Digital Input	Valid	Invalid
F1	reg<1927>	Matrix Input 7	PIN8 Digital Input	Valid	Invalid
	reg<1928>	Matrix Input 8	LUT2_0 / DFF0 Output	Valid	Invalid
	reg<1929>	Matrix Input 9	LUT2_1 / DFF1 Output	Valid	Invalid
	reg<1930>	Matrix Input 10	LUT2_2 / DFF2 Output	Valid	Invalid
	reg<1931>	Matrix Input 11	LUT2_3 / PGEN Output	Valid	Invalid
	reg<1932>	Matrix Input 12	LUT3_0 / DFF3 Output	Valid	Invalid
	reg<1933>	Matrix Input 13	LUT3_1 / DFF4 Output	Valid	Invalid
F2	reg<1934>	Matrix Input 14	LUT3_2 / DFF5 Output	Valid	Invalid
	reg<1935>	Matrix Input 15	LUT3_3 / DFF6 Output	Valid	Invalid
	reg<1936>	Matrix Input 16	LUT3_4 / DFF7 Output	Valid	Invalid
	reg<1937>	Matrix Input 17	LUT3_5 / CNT_DLY2(8bit) Output	Valid	Invalid
	reg<1938>	Matrix Input 18	LUT3_6 / CNT_DLY3(8bit) Output	Valid	Invalid
	reg<1939>	Matrix Input 19	LUT3_7 / CNT_DLY4(8bit) Output	Valid	Invalid
	reg<1940>	Matrix Input 20	LUT3_8 / CNT_DLY5(8bit) Output	Valid	Invalid
F3	reg<1941>	Matrix Input 21	LUT3_9 / CNT_DLY6(8bit) Output	Valid	Invalid
	reg<1942>	Matrix Input 22	LUT4_0 / CNT_DLY0(16bit) Output	Valid	Invalid
	reg<1943>	Matrix Input 23	LUT4_1 / CNT_DLY1(16bit) Output	Valid	Invalid
	reg<1944>	Matrix Input 24	LUT3_10 / Pipe Delay (1st stage) Output	Valid	Invalid
	reg<1945>	Matrix Input 25	Pipe Delay Output0	Valid	Invalid
	reg<1946>	Matrix Input 26	Pipe Delay Output1	Valid	Invalid
	reg<1947>	Matrix Input 27	Fixed "L" output because it is OSC clock.	Valid	Invalid
reg<1948>	Matrix Input 28	Fixed "L" output because it is OSC clock.	Valid	Invalid	
reg<1949>	Matrix Input 29	Fixed "L" output because it is OSC clock.	Valid	Invalid	
reg<1950>	Matrix Input 30	Filter0 / Edge Detect0 Output	Valid	Invalid	
reg<1951>	Matrix Input 31	Filter1 / Edge Detect1 Output	Valid	Invalid	



Address		Signal Function	Register Bit Definition	I <sup>2</sup> C Interface	
Byte	Register Bit			Read	Write
F4	reg<1952>	Matrix Input 32	Virtual Input <0>	Valid	Valid
	reg<1953>	Matrix Input 33	Virtual Input <1>	Valid	Valid
	reg<1954>	Matrix Input 34	Virtual Input <2>	Valid	Valid
	reg<1955>	Matrix Input 35	Virtual Input <3>	Valid	Valid
	reg<1956>	Matrix Input 36	Virtual Input <4>	Valid	Valid
	reg<1957>	Matrix Input 37	Virtual Input <5>	Valid	Valid
	reg<1958>	Matrix Input 38	Virtual Input <6>	Valid	Valid
	reg<1959>	Matrix Input 39	Virtual Input <7>	Valid	Valid
F5	reg<1960>	Matrix Input 40	LUT3_11 / DFF8 (SET/RST) Output	Valid	Invalid
	reg<1961>	Matrix Input 41	LUT3_12 / DFF9 (SET/RST) Output	Valid	Invalid
	reg<1962>	Matrix Input 42	LUT3_13 / DFF10 (SET/RST) Output	Valid	Invalid
	reg<1963>	Matrix Input 43	LUT3_14 / DFF11 (SET/RST) Output	Valid	Invalid
	reg<1964>	Matrix Input 44	LUT3_15 / DFF12 (SET/RST) Output	Valid	Invalid
	reg<1965>	Matrix Input 45	LUT3_16 / DFF13 (SET/RST) Output	Valid	Invalid
	reg<1966>	Matrix Input 46	LUT3_17 / DFF14 (SET/RST) Output	Valid	Invalid
	reg<1967>	Matrix Input 47	LUT4_2 Output	Valid	Invalid
F6	reg<1968>	Reserved	Pin10 Digital Input	Valid	Invalid
	reg<1969>	Matrix Input 49	GND	Valid	Invalid
	reg<1970>	Matrix Input 50	Pin11 Digital Input	Valid	Invalid
	reg<1971>	Reserved	GND	Valid	Invalid
	reg<1972>	Matrix Input 52	Pin12 Digital Input	Valid	Invalid
	reg<1973>	Matrix Input 53	Pin13 Digital Input	Valid	Invalid
	reg<1974>	Reserved	GND	Valid	Invalid
	reg<1975>	Reserved	GND	Valid	Invalid
F7	reg<1976>	Matrix Input 56	Pin14 Digital Input	Valid	Invalid
	reg<1977>	Matrix Input 57	ACMP_0 Output	Valid	Invalid
	reg<1978>	Matrix Input 58	ACMP_1 Output	Valid	Invalid
	reg<1979>	Matrix Input 59	ACMP_2 Output	Valid	Invalid
	reg<1980>	Matrix Input 60		Valid	Invalid
	reg<1981>	Matrix Input 61	Programmable Delay with Edge Detector Output	Valid	Invalid
	reg<1982>	Matrix Input 62	Resetb_core	Valid	Invalid
	reg<1983>	Matrix Input 63	VDD	Valid	Invalid
<b>Reserved</b>					
F8	reg<1991:1984>	Reserved		Valid	Invalid
F9	reg<1999:1992>	Reserved		Valid	Invalid
FA	reg<2007:2000>	Reserved		Valid	Invalid
FB	reg<2015:2008>	Reserved		Valid	Valid
FC	reg<2023:2016>	Reserved		Valid	Invalid
FD	reg<2031:2024>	Reserved		Valid	Invalid
FE	reg<2039:2032>	Reserved		Valid	Valid
FF	reg<2047:2040>	Reserved		Valid	Valid



**21.0 Package Top Marking System Definition**

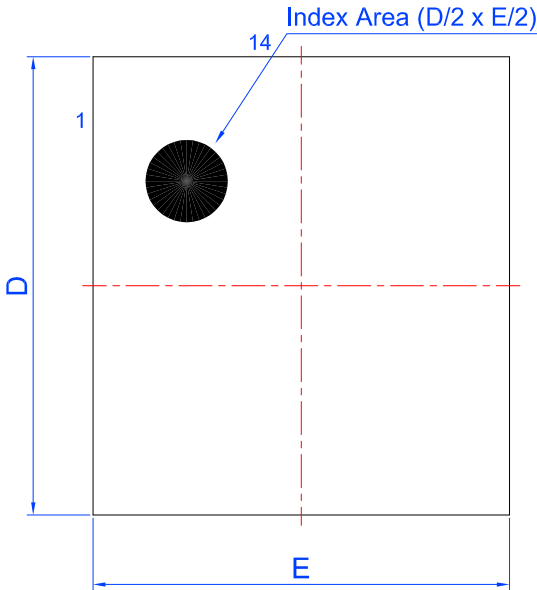




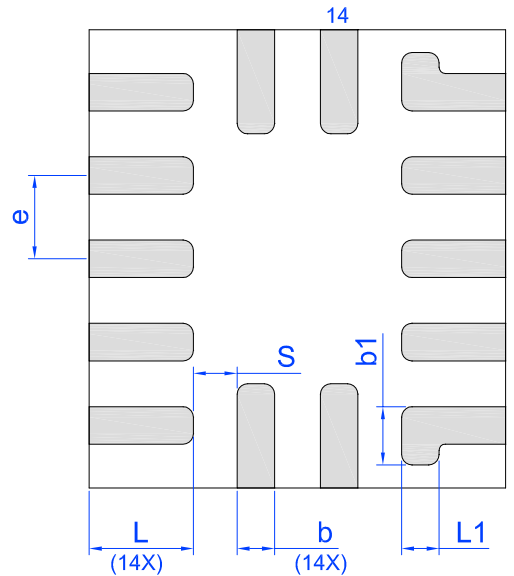


**22.0 Package Drawing and Dimensions**

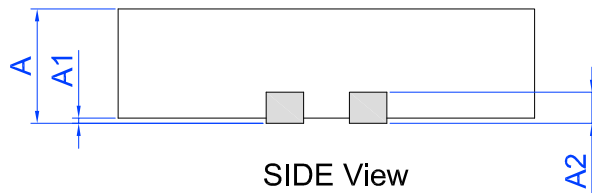
STQFN 14L 2 x 2.2mm 0.4P COL Package  
JEDEC MO-220, Variation WECE



Top View (PKG face down)



BTM View



SIDE View

Unit: mm

Symbol	Min	Nom.	Max	Symbol	Min	Nom.	Max
A	0.50	0.55	0.60	D	2.15	2.20	2.25
A1	0.005	-	0.050	E	1.95	2.00	2.05
A2	0.10	0.15	0.20	L	0.45	0.50	0.55
b	0.13	0.18	0.23	S	0.21 TYP		
e	0.40 BSC			b1	0.28 TYP		
				L1	0.18 TYP		

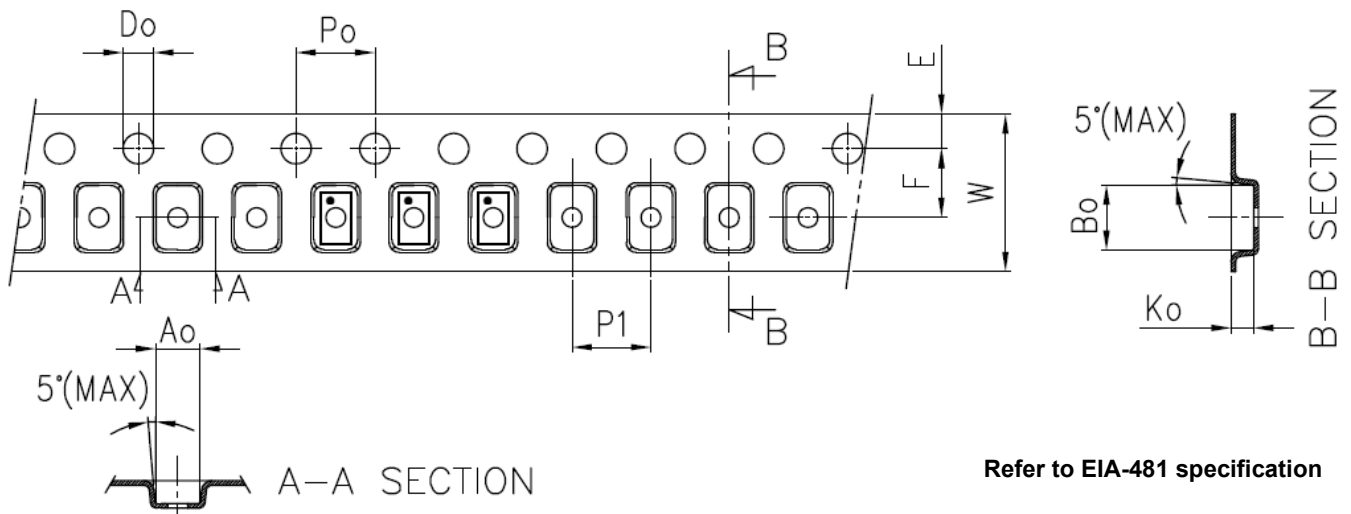


**23.0 Tape and Reel Specifications**

Package Type	# of Pins	Nominal Package Size [mm]	Max Units		Reel & Hub Size [mm]	Leader (min)		Trailer (min)		Tape Width [mm]	Part Pitch [mm]
			per Reel	per Box		Pockets	Length [mm]	Pockets	Length [mm]		
STQFN 14L 2x2.2 mm 0.4P COL	14	2 x 2.2 x 0.55	3,000	3,000	178 / 60	100	400	100	400	8	4

**23.1 Carrier Tape Drawing and Dimensions**

Package Type	Pocket BTM Length	Pocket BTM Width	Pocket Depth	Index Hole Pitch	Pocket Pitch	Index Hole Diameter	Index Hole to Tape Edge	Index Hole to Pocket Center	Tape Width
	A0	B0	K0	P0	P1	D0	E	F	W
STQFN 14L 2x2.2 mm 0.4P COL	2.2	2.35	0.8	4	4	1.5	1.75	3.5	8

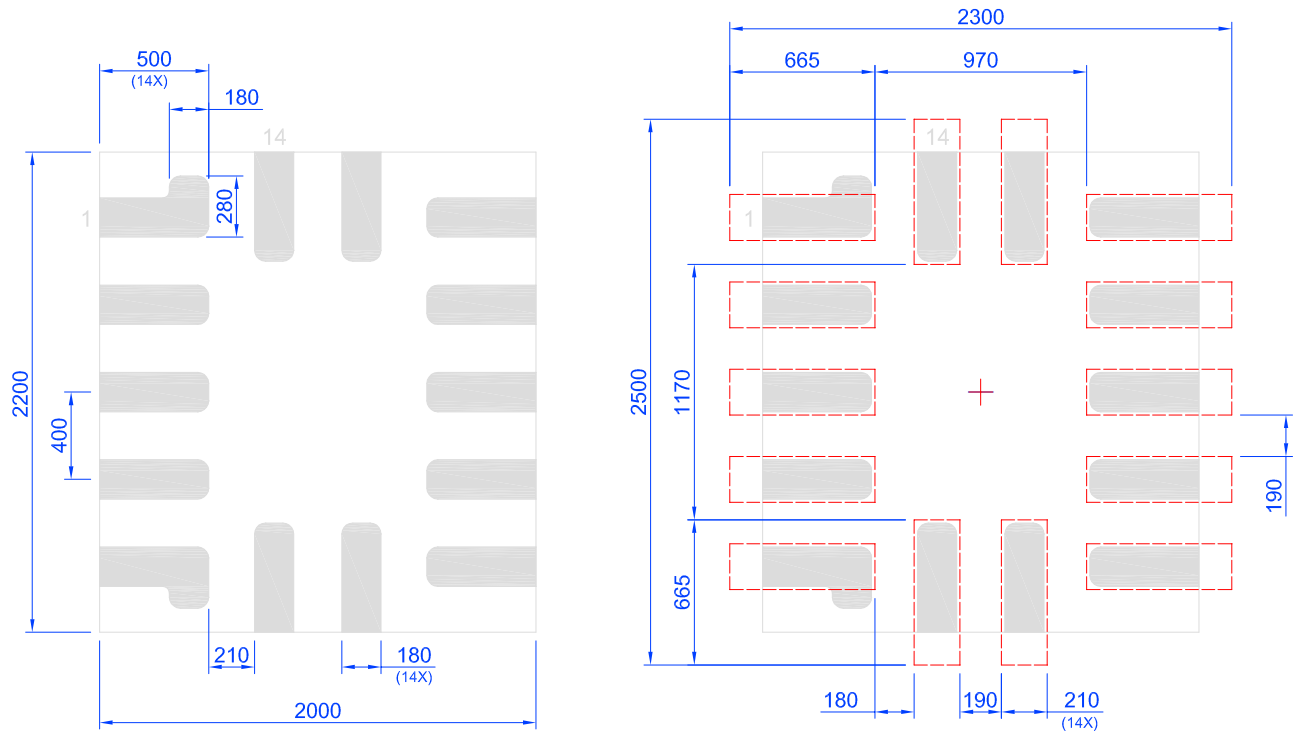




## 24.0 Recommended Landing Pattern

 Exposed Pad  
(PKG face down)

 Recommended Land Pattern  
(PKG face down)



Unit:um

## 25.0 Recommended Reflow Soldering Profile

Please see IPC/JEDEC J-STD-020: latest revision for reflow profile based on package volume of 2.42 mm<sup>3</sup> (nominal). More information can be found at [www.jedec.org](http://www.jedec.org).



## 26.0 Revision History

Date	Version	Change
8/9/2018	1.09	Updated reg<1079:1077>, reg<1087:1085> in Appendix A
6/13/2018	1.08	Updated I2C section Fixed typos
4/17/2018	1.07	Corrected CNT/FSM Timing Diagram Fixed typos
12/26/2017	1.06	Updated Electrical spec Updated section RC Oscillator
10/12/2017	1.05	Updated Electrical spec Fixed typos Updated I2C Specifications Updated subsection I2C Serial Reset Command Updated I2C Serial Command Register Protection Added Register Read/Write Protection subsection
5/24/2017	1.04	Fixed typos Updated reg<1831:1824> Updated Electrical Characteristics
5/5/2017	1.03	Fixed quality of CNT Timing Diagrams Updated Section Programmable Delay / Edge Detector Fixed typos Updated POR section Updated Absolute Maximum Conditions Corrected table Typical Delay Estimated for Each Block at T=25°C
12/20/2016	1.02	Corrected Oscillator Electrical Spec Updated Silego Website & Support Fixed typos Corrected figure WS controller Added table DLY/CNTx One-Shot / Freq. Detect Output Polarity Added data to table Programmable Delay Register Settings Updated figure Deglitch Filter / Edge Detector
11/16/2016	1.01	Corrected figure OSC1 Power On Delay Corrected table Typical Counter/Delay Offset Measurements Added subsection Difference in Counter Value for Counter, Delay, One-Shot and Frequency Detect Modes
10/21/2016	1.00	Production Release



## Disclaimer

Information in this document is believed to be accurate and reliable. However, Dialog Semiconductor does not give any representations or warranties, expressed or implied, as to the accuracy or completeness of such information. Dialog Semiconductor furthermore takes no responsibility whatsoever for the content in this document if provided by any information source outside of Dialog Semiconductor.

Dialog Semiconductor reserves the right to change without notice the information published in this document, including without limitation the specification and design of the related semiconductor products, software and applications.

Applications, software, and semiconductor products described in this document are for illustrative purposes only. Dialog Semiconductor makes no representation or warranty that such applications, software and semiconductor products will be suitable for the specified use without further testing or modification. Unless otherwise agreed in writing, such testing or modification is the sole responsibility of the customer and Dialog Semiconductor excludes all liability in this respect.

Customer notes that nothing in this document may be construed as a license for customer to use the Dialog Semiconductor products, software and applications referred to in this document. Such license must be separately sought by customer with Dialog Semiconductor.

All use of Dialog Semiconductor products, software and applications referred to in this document are subject to Dialog Semiconductor's [Standard Terms and Conditions of Sale](http://www.dialog-semiconductor.com), available on the company website ([www.dialog-semiconductor.com](http://www.dialog-semiconductor.com)) unless otherwise stated.

Dialog and the Dialog logo are trademarks of Dialog Semiconductor plc or its subsidiaries. All other product or service names are the property of their respective owners.

© 2018 Dialog Semiconductor. All rights reserved.

## RoHS Compliance

Dialog Semiconductor's suppliers certify that its products are in compliance with the requirements of Directive 2011/65/EU of the European Parliament on the restriction of the use of certain hazardous substances in electrical and electronic equipment. RoHS certificates from our suppliers are available on request.

## Contacting Dialog Semiconductor

### United Kingdom (Headquarters)

*Dialog Semiconductor (UK) LTD*  
Phone: +44 1793 757700

### Germany

*Dialog Semiconductor GmbH*  
Phone: +49 7021 805-0

### The Netherlands

*Dialog Semiconductor B.V.*  
Phone: +31 73 640 8822

### Email:

[enquiry@diasemi.com](mailto:enquiry@diasemi.com)

### North America

*Dialog Semiconductor Inc.*  
Phone: +1 408 845 8500

### Japan

*Dialog Semiconductor K. K.*  
Phone: +81 3 5769 5100

### Taiwan

*Dialog Semiconductor Taiwan*  
Phone: +886 281 786 222

### Web site:

[www.dialog-semiconductor.com](http://www.dialog-semiconductor.com)

### Hong Kong

*Dialog Semiconductor Hong Kong*  
Phone: +852 2607 4271

### Korea

*Dialog Semiconductor Korea*  
Phone: +82 2 3469 8200

### China (Shenzhen)

*Dialog Semiconductor China*  
Phone: +86 755 2981 3669

### China (Shanghai)

*Dialog Semiconductor China*  
Phone: +86 21 5424 9058

## Данный компонент на территории Российской Федерации

### Вы можете приобрести в компании MosChip.

Для оперативного оформления запроса Вам необходимо перейти по данной ссылке:

<http://moschip.ru/get-element>

Вы можете разместить у нас заказ для любого Вашего проекта, будь то серийное производство или разработка единичного прибора.

В нашем ассортименте представлены ведущие мировые производители активных и пассивных электронных компонентов.

Нашей специализацией является поставка электронной компонентной базы двойного назначения, продукции таких производителей как XILINX, Intel (ex.ALTERA), Vicor, Microchip, Texas Instruments, Analog Devices, Mini-Circuits, Amphenol, Glenair.

Сотрудничество с глобальными дистрибьюторами электронных компонентов, предоставляет возможность заказывать и получать с международных складов практически любой перечень компонентов в оптимальные для Вас сроки.

На всех этапах разработки и производства наши партнеры могут получить квалифицированную поддержку опытных инженеров.

Система менеджмента качества компании отвечает требованиям в соответствии с ГОСТ Р ИСО 9001, ГОСТ РВ 0015-002 и ЭС РД 009

### Офис по работе с юридическими лицами:

105318, г.Москва, ул.Щербаковская д.3, офис 1107, 1118, ДЦ «Щербаковский»

Телефон: +7 495 668-12-70 (многоканальный)

Факс: +7 495 668-12-70 (доб.304)

E-mail: [info@moschip.ru](mailto:info@moschip.ru)

Skype отдела продаж:

moschip.ru

moschip.ru\_4

moschip.ru\_6

moschip.ru\_9