

LP8733xx-Q1 Dual High-Current Buck Converter and Dual Linear Regulator

1 Features

- AEC-Q100 Qualified With the Following Results:
 - Device Temperature Grade 1: -40°C to $+125^{\circ}\text{C}$ Ambient Operating Temperature
- Input Voltage: 2.8 V to 5.5 V
- Two High-Efficiency Step-Down DC/DC Converters:
 - Output Voltage: 0.7 V to 3.36 V
 - Maximum Output Current 3 A per phase
 - Auto Phase Adding/Shedding and Force Multi-Phase Operations in Dual-Phase Configuration
 - Remote Differential Feedback Voltage Sensing in Dual-Phase Configuration
 - Programmable Output-Voltage Slew Rate From 0.5 mV/ μs to 10 mV/ μs
 - 2-MHz Switching Frequency
 - Spread-Spectrum Mode and Phase Interleaving for EMI Reduction
- Two Linear Regulators:
 - Input Voltage: 2.5 V to 5.5 V
 - Output Voltage: 0.8 V to 3.3 V
 - Maximum Output Current 300 mA
- Configurable General-Purpose Output Signals (GPO, GPO2)
- Interrupt Function With Programmable Masking
- Programmable Power-Good Signal (PGOOD)
- Output Short-Circuit and Overload Protection
- Overtemperature Warning and Protection
- Overvoltage Protection (OVP) and Undervoltage Lockout (UVLO)
- 28-pin, 5-mm x 5-mm VQFN Package with Wettable Flanks

2 Applications

- Automotive Head Unit and Cluster
- Automotive Camera Module
- Surround View System ECU
- Radar System ECU

3 Description

The LP8733xx-Q1 is designed to meet the power management requirements in automotive applications. The device has two step-down DC/DC converters which can be configured as single dual-phase regulator or two single-phase regulators and two linear regulators and general-purpose digital-output signals. The device is controlled by an I²C-compatible serial interface and by an enable signal.

The automatic PWM/PFM (AUTO mode) operation together with the automatic phase adding/shedding maximizes gives high efficiency over a wide output-current range. The LP8733xx-Q1 supports remote voltage sensing (differential in dual-phase configuration) to compensate IR drop between the regulator output and the point-of-load (POL), thus improving the accuracy of the output voltage. In addition, the switching clock can be forced to PWM mode and also synchronized to an external clock to minimize the disturbances.

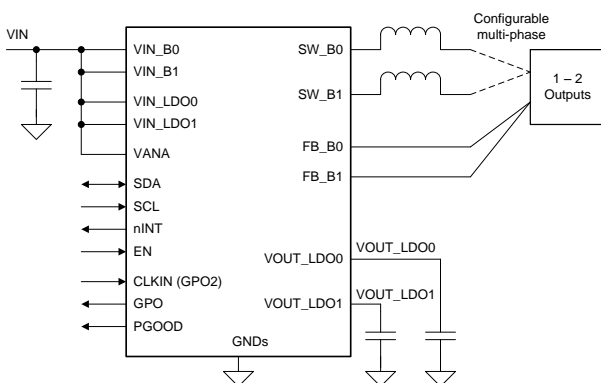
The LP8733xx-Q1 device supports programmable start-up and shutdown delays and sequences including GPO signals synchronized to the enable signal. During start-up and voltage change, the device controls the output slew rate to minimize output voltage overshoot and the in-rush current.

Device Information

PART NUMBER	PACKAGE	BODY SIZE (NOM)
LP8733xx-Q1	VQFN (28)	5.00 mm x 5.00 mm

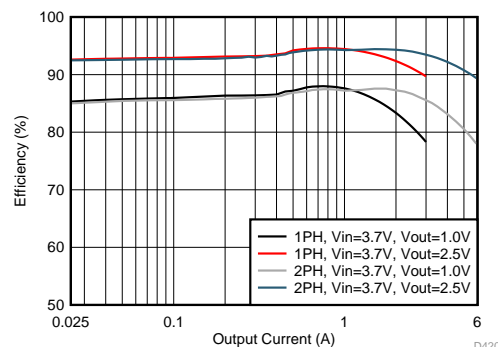
(1) For all available packages, see the orderable addendum at the end of the data sheet.

Simplified Schematic



Copyright © 2018, Texas Instruments Incorporated

DC/DC Efficiency vs Output Current (Dual-Phase)



D420



Table of Contents

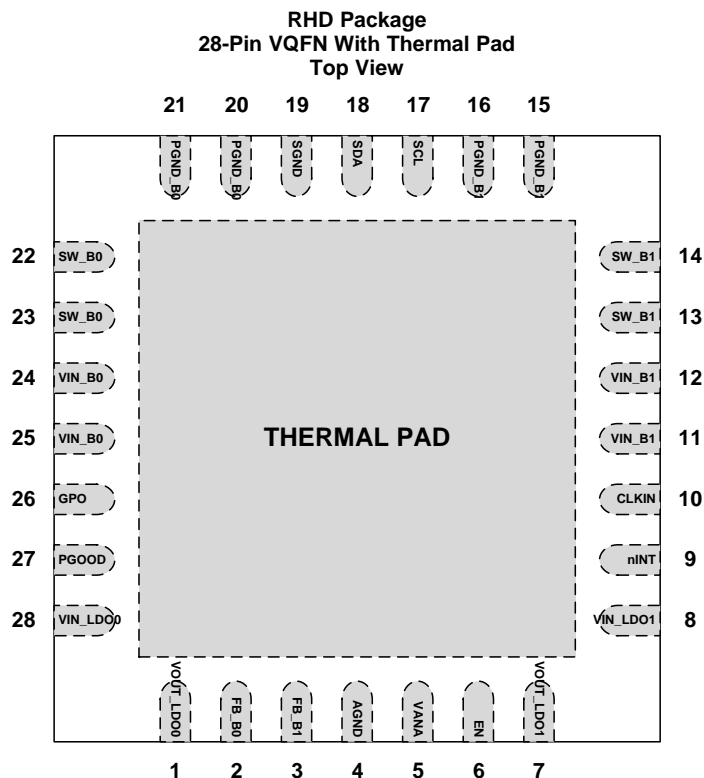
1 Features	1	7.5 Programming.....	39
2 Applications	1	7.6 Register Maps	42
3 Description	1	8 Application and Implementation	60
4 Revision History	2	8.1 Application Information.....	60
5 Pin Configuration and Functions	3	8.2 Typical Applications	60
6 Specifications	5	9 Power Supply Recommendations	73
6.1 Absolute Maximum Ratings	5	10 Layout	73
6.2 ESD Ratings	5	10.1 Layout Guidelines	73
6.3 Recommended Operating Conditions.....	5	10.2 Layout Example	75
6.4 Thermal Information	6	11 Device and Documentation Support	76
6.5 Electrical Characteristics.....	6	11.1 Device Support.....	76
6.6 I ² C Serial Bus Timing Parameters	12	11.2 Receiving Notification of Documentation Updates	76
6.7 Typical Characteristics	14	11.3 Community Resources.....	76
7 Detailed Description	16	11.4 Trademarks	76
7.1 Overview	16	11.5 Electrostatic Discharge Caution.....	76
7.2 Functional Block Diagram	17	11.6 Glossary	76
7.3 Feature Description	17	12 Mechanical, Packaging, and Orderable	
7.4 Device Functional Modes.....	38	Information	76

4 Revision History

NOTE: Page numbers for previous revisions may differ from page numbers in the current version.

DATE	REVISION	NOTES
September 2018	*	Initial release

5 Pin Configuration and Functions



Pin Functions

PIN		TYPE ⁽¹⁾	DESCRIPTION
NUMBER	NAME		
1	VOUT_LDO0	P/O	LDO0 output. If LDO0 is not used, leave the pin floating.
2	FB_B0	A	Output voltage feedback (positive) for Buck 0
3	FB_B1	A	Output voltage feedback (positive) for Buck 1 in two single-phase configuration / Output ground feedback (negative) for Buck 0 in dual-phase configuration
4	AGND	G	Ground
5	VANA	P/I	Supply voltage for analog and digital blocks. Must be connected to same node with VIN_Bx.
6	EN	D/I	Programmable enable signal for regulators and GPOs. If the pin is not used, leave the pin floating.
7	VOUT_LDO1	P/O	LDO1 output. If LDO1 is not used, leave the pin floating.
8	VIN_LDO1	P/I	Power input for LDO1. If LDO1 is not used, connect the pin to VANA.
9	nINT	D/O	Open-drain interrupt output. Active LOW. If the pin is not used, connect the pin to ground.
10	CLKIN	D/I/O	External clock input. Alternative function is general-purpose digital output (GPO2). If the pin is not used, leave the pin floating.
11, 12	VIN_B1	P/I	Input for Buck 1. The separate power pins VIN_Bx are not connected together internally - VIN_Bx pins must be connected together in the application and be locally bypassed.
13, 14	SW_B1	P/O	Buck 1 switch node. If the Buck 1 is not used, leave the pin floating.
15, 16	PGND_B1	P/G	Power ground for Buck 1
17	SCL	D/I	Serial interface clock input for I ² C access. Connect a pullup resistor. If the I ² C interface is not used, connect the pin to Ground.
18	SDA	D/I/O	Serial interface data input and output for I ² C access. Connect a pullup resistor. If the I ² C interface is not used, connect the pin to Ground.
19	SGND	G	Ground

(1) A: Analog Pin, D: Digital Pin, G: Ground Pin, P: Power Pin, I: Input Pin, O: Output Pin

Pin Functions (continued)

PIN		TYPE ⁽¹⁾	DESCRIPTION
NUMBER	NAME		
20, 21	PGND_B0	P/G	Power ground for Buck 0
22, 23	SW_B0	P/O	Buck 0 switch node. If the Buck 0 is not used, leave the pin floating.
24, 25	VIN_B0	P/I	Input for Buck 0. The separate power pins VIN_Bx are not connected together internally - VIN_Bx pins must be connected together in the application and be locally bypassed.
26	GPO	D/O	General-purpose digital output. If the pin is not used, leave the pin floating.
27	PGOOD	D/O	Power-good indication signal. If the pin is not used, leave the pin floating.
28	VIN_LDO0	P/I	Power input for LDO0. If LDO0 is not used, connect the pin to VANA.
Thermal Pad	—	—	Connect to PCB ground plane using multiple vias for good thermal performance.

6 Specifications

6.1 Absolute Maximum Ratings

Over operating free-air temperature range (unless otherwise noted)⁽¹⁾⁽²⁾

		MIN	MAX	UNIT
VIN_Bx, VANA	Voltage on power connections (must use the same input supply)	-0.3	6	V
VIN_LDOx	Voltage on power connections	-0.3	6	V
SW_Bx	Voltage on buck switch nodes	-0.3	(VIN_Bx + 0.3 V) with 6-V maximum	V
FB_Bx	Voltage on buck voltage sense nodes	-0.3	(VANA + 0.3 V) with 6-V maximum	V
VOUT_LDOx	Voltage on LDO output	-0.3	(VIN_LDOx + 0.3 V) with 6-V maximum	V
SDA, SCL, nINT, EN	Voltage on logic pins (input or output pins)	-0.3	6	V
PGOOD, GPO, CLKIN (GPO2)	Voltage on logic pins (input or output pins)	-0.3	(VANA + 0.3 V) with 6-V maximum	V
T _{J-MAX}	Junction temperature	-40	150	°C
T _{stg}	Storage temperature	-65	150	
Maximum lead temperature (soldering, 10 seconds)			260	

- (1) Stresses beyond those listed under *Absolute Maximum Ratings* may cause permanent damage to the device. These are stress ratings only, which do not imply functional operation of the device at these or any other conditions beyond those indicated under *Recommended Operating Conditions*. Exposure to absolute-maximum-rated conditions for extended periods may affect device reliability.
- (2) All voltage values are with respect to network ground.

6.2 ESD Ratings

			VALUE	UNIT	
V _(ESD)	Electrostatic discharge	Human-body model (HBM)	±2000	V	
		Charged-device model (CDM)	All pins		±500
			Corner pins (1, 7, 8, 14, 15, 21, 22, 28)		±750

6.3 Recommended Operating Conditions

Over operating free-air temperature range (unless otherwise noted)

		MIN	MAX	UNIT
INPUT VOLTAGE				
VIN_Bx, VANA	Voltage on power connections (must use the same input supply)	2.8	5.5	V
VIN_LDOx	Voltage on LDO inputs	2.5	5.5	V
EN, nINT	Voltage on logic pins (input or output pins)	0	5.5	V
CLKIN	Voltage on logic pins (input pin)	0	VANA with 5.5-V maximum	V
PGOOD, GPO, GPO2	Voltage on logic pins (output pins)	0	VANA	V
SCL, SDA	Voltage on I2C interface, Standard (100 kHz), Fast (400 kHz), Fast+ (1 MHz), and High-Speed (3.4 MHz) Modes	0	1.95	V
	Voltage on I2C interface, Standard (100 kHz), Fast (400 kHz), and Fast+ (1 MHz) Modes	0	VANA with 3.6-V maximum	V
TEMPERATURE				
T _J	Junction temperature	-40	140	°C
T _A	Ambient temperature	-40	125	°C

6.4 Thermal Information

THERMAL METRIC ⁽¹⁾		LP8733xx-Q1	UNIT
		RHD (VQFN)	
		28 PINS	
R _{θJA}	Junction-to-ambient thermal resistance	36.7	°C/W
R _{θJctop}	Junction-to-case (top) thermal resistance	26.6	°C/W
R _{θJB}	Junction-to-board thermal resistance	8.9	°C/W
ψ _{JT}	Junction-to-top characterization parameter	0.4	°C/W
ψ _{JB}	Junction-to-board characterization parameter	8.8	°C/W
R _{θJcbot}	Junction-to-case (bottom) thermal resistance	2.2	°C/W

(1) For more information about traditional and new thermal metrics, see the [Semiconductor and IC Package Thermal Metrics](#) application note.

6.5 Electrical Characteristics

Limits apply over the junction temperature range $-40^{\circ}\text{C} \leq T_J \leq +140^{\circ}\text{C}$, specified V_{VANA} , V_{VIN_Bx} , V_{VIN_LDOx} , V_{VOUT_Bx} , V_{VOUT_LDOx} and I_{OUT} range, unless otherwise noted. Typical values are at $T_J = 25^{\circ}\text{C}$, $V_{VANA} = V_{VIN_Bx} = V_{VIN_LDOx} = 3.7\text{ V}$, and $V_{OUT} = 1\text{ V}$, unless otherwise noted.⁽¹⁾⁽²⁾

PARAMETER		TEST CONDITIONS	MIN	TYP	MAX	UNIT
EXTERNAL COMPONENTS						
C _{IN_BUCK}	Input filtering capacitance for buck regulators	Effective capacitance, connected from VIN_Bx to PGND_Bx	1.9	10		μF
C _{OUT_BUCK}	Output filtering capacitance for buck regulators	Effective capacitance per phase	10	22	500	μF
C _{POL_BUCK}	Point-of-load (POL) capacitance for buck regulators	Optional POL capacitance		22		μF
C _{OUT-TOTAL_BUCK}	Buck output capacitance, total (local and POL)	Total output capacitance per phase			500	μF
C _{IN_LDO}	Input filtering capacitance for LDO regulators	Effective capacitance, connected from VIN_LDOx to AGND. C _{IN_LDO} must be at least two times larger than C _{OUT_LDO}	0.6	2.2		μF
C _{OUT_LDO}	Output filtering capacitance for LDO regulators	Effective capacitance	0.4	1	2.7	μF
ESR _C	Input and output capacitor ESR	[1-10] MHz		2	10	mΩ
L	Inductor	Inductance of the inductor		0.47		μH
			-30%		30%	
DCR _L	Inductor DCR			25		mΩ
BUCK REGULATORS						
V _(VIN_Bx) , V _(VANA)	Input voltage range	VIN_Bx and VANA pins must be connected to the same supply line	2.8	3.7	5.5	V
V _{OUT_Bx}	Output voltage	Programmable voltage range	0.7	1	3.36	V
		Step size, 0.7 V ≤ V _{OUT} < 0.73 V		10		mV
		Step size, 0.73 V ≤ V _{OUT} < 1.4 V		5		
		Step size, 1.4 V ≤ V _{OUT} ≤ 3.36 V		20		
I _{OUT_Bx}	Output current	Output current, single-phase output			3 ⁽³⁾	A
		Output current, dual-phase output			6 ⁽³⁾	

- (1) All voltage values are with respect to network ground.
- (2) Minimum (MIN) and Maximum (MAX) limits are specified by design, test, or statistical analysis. Typical (TYP) numbers are not verified, but do represent the most likely norm.
- (3) The maximum output current can be limited by the forward current limit I_{LIM_FWD}. The power dissipation inside the die increases the junction temperature and limits the maximum current depending of the length of the current pulse, efficiency, board and ambient temperature.

Electrical Characteristics (continued)

Limits apply over the junction temperature range $-40^{\circ}\text{C} \leq T_J \leq +140^{\circ}\text{C}$, specified V_{VANA} , V_{VIN_Bx} , V_{VIN_LDOx} , V_{VOUT_Bx} , V_{VOUT_LDOx} and I_{OUT} range, unless otherwise noted. Typical values are at $T_J = 25^{\circ}\text{C}$, $V_{VANA} = V_{VIN_Bx} = V_{VIN_LDOx} = 3.7\text{ V}$, and $V_{OUT} = 1\text{ V}$, unless otherwise noted.⁽¹⁾⁽²⁾

PARAMETER		TEST CONDITIONS	MIN	TYP	MAX	UNIT
	Input and Output voltage difference	Minimum voltage between $V_{(VIN_Bx)}$ and V_{OUT} to fulfill the electrical characteristics	0.8			V
$V_{OUT_Bx_DC}$	DC output voltage accuracy, includes voltage reference, DC load and line regulations, process and temperature	Force PWM mode, $V_{OUT} < 1\text{ V}$	-20		20	mV
		Force PWM mode, $V_{OUT} \geq 1\text{ V}$	-2%		2%	
		PFM mode, $V_{OUT} < 1\text{ V}$, the average output voltage level is increased by max. 20 mV	-20mV		40mV	mV
		PFM mode, $V_{OUT} \geq 1\text{ V}$, the average output voltage level is increased by max. 20 mV	-2%		2% + 20 mV	
	Ripple voltage, single-phase output	PWM mode		10		mV _{p-p}
		PFM mode, $I_{OUT} = 10\text{ mA}$		25		
	Ripple voltage, dual-phase output	PWM mode		5		mV _{p-p}
		PFM mode, $I_{OUT} = 10\text{ mA}$		4		
DC_{LNR}	DC line regulation	$I_{OUT} = 1\text{ A}$		± 0.05		%/V
DC_{LDR}	DC load regulation in PWM mode	$V_{OUT_Bx} = 1\text{ V}$, I_{OUT} from 0 to $I_{OUT(max)}$		0.3%		
T_{LDSR}	Transient load step response, single-phase output	$I_{OUT} = 0.1\text{ A}$ to 2 A , $T_R = T_F = 400\text{ ns}$, PWM mode		± 55		mV
	Transient load step response, dual-phase output	$I_{OUT} = 0.1\text{ A}$ to 4 A , $T_R = T_F = 400\text{ ns}$, PWM mode		± 50		mV
T_{LNSR}	Transient line response	$V_{(VIN_Bx)}$ stepping $3\text{ V} \leftrightarrow 3.5\text{ V}$, $T_R = T_F = 10\text{ }\mu\text{s}$, $I_{OUT} = I_{OUT(max)}$		± 10		mV
$I_{LIM\ FWD}$	Forward current limit per phase (peak for every switching cycle)	Programmable range	1.5		4	A
		Step size		0.5		
		Accuracy, $V_{(VIN_Bx)} \geq 3\text{ V}$, $I_{LIM} = 4\text{ A}$	-5%	7.5%	20%	
		Accuracy, $2.8\text{ V} \leq V_{(VIN_Bx)} < 3\text{ V}$, $I_{LIM} = 4\text{ A}$	-20%	7.5%	20%	
$I_{LIM\ NEG}$	Negative current limit per phase		1.6	2.0	3.0	A
$R_{DS(ON)\ HS\ FET}$	On-resistance, high-side FET	Each phase, between VIN_Bx and SW_Bx pins ($I = 1\text{ A}$)		50	110	m Ω
$R_{DS(ON)\ LS\ FET}$	On-resistance, low-side FET	Each phase, between SW_Bx and $PGND_Bx$ pins ($I = 1\text{ A}$)		45	90	m Ω
f_{SW}	Switching frequency	PWM mode	1.8	2	2.2	MHz
	Current balancing for dual-phase output	Current mismatch between phases, $I_{OUT} > 1\text{ mA}$			10%	
	Start-up time (soft start)	From ENx to $V_{OUT_Bx} = 0.35\text{ V}$ (slew-rate control begins)		120		μs
	Output voltage slew-rate ⁽⁴⁾	$SLEW_RATEx[2:0] = 010$, $C_{OUT-TOTAL_BUCK} < 80\text{ }\mu\text{F}$ per phase	-15%	10	15%	mV/ μs
$SLEW_RATEx[2:0] = 011$, $C_{OUT-TOTAL_BUCK} < 130\text{ }\mu\text{F}$ per phase		7.5				
$SLEW_RATEx[2:0] = 100$, $C_{OUT-TOTAL_BUCK} < 250\text{ }\mu\text{F}$ per phase		3.8				
$SLEW_RATEx[2:0] = 101$, $C_{OUT-TOTAL_BUCK} < 500\text{ }\mu\text{F}$ per phase		1.9				
$SLEW_RATEx[2:0] = 110$, $C_{OUT-TOTAL_BUCK} < 500\text{ }\mu\text{F}$ per phase		0.94				
$SLEW_RATEx[2:0] = 111$, $C_{OUT-TOTAL_BUCK} < 500\text{ }\mu\text{F}$ per phase		0.47				

(4) The slew-rate can be limited by the current limit (forward or negative current limit), output capacitance and load current.

Electrical Characteristics (continued)

Limits apply over the junction temperature range $-40^{\circ}\text{C} \leq T_J \leq +140^{\circ}\text{C}$, specified V_{VANA} , V_{VIN_Bx} , V_{VIN_LDOx} , V_{VOUT_Bx} , V_{VOUT_LDOx} and I_{OUT} range, unless otherwise noted. Typical values are at $T_J = 25^{\circ}\text{C}$, $V_{VANA} = V_{VIN_Bx} = V_{VIN_LDOx} = 3.7\text{ V}$, and $V_{OUT} = 1\text{ V}$, unless otherwise noted.⁽¹⁾⁽²⁾

PARAMETER		TEST CONDITIONS	MIN	TYP	MAX	UNIT
$I_{PFM-PWM}$	PFM-to-PWM - current threshold ⁽⁵⁾			550		mA
$I_{PWM-PFM}$	PWM-to-PFM - current threshold ⁽⁵⁾			290		mA
I_{ADD}	Phase adding level (dual-phase output)	From 1-phase to 2-phase		1000		mA
I_{SHED}	Phase shedding level (dual-phase output)	From 2-phase to 1-phase		650		mA
R_{DIS_Bx}	Output pulldown resistance	Regulator disabled	150	250	350	Ω
	Output voltage monitoring for PGOOD pin and for power-good Interrupt	$V_{(VIN_Bx)}$ and $V_{(VANA)}$ fixed 3.7 V				
		Overvoltage threshold (compared to DC output voltage level, $V_{VOUT_Bx_DC}$)	39	50	64	mV
		Undervoltage threshold (compared to DC output voltage level, $V_{VOUT_Bx_DC}$)	-53	-40	-29	
		Deglintch time during operation and after voltage change	4		15	μs
	Gating time for PGOOD signal after regulator enable or voltage change	PGOOD_MODE = 0		800		μs
LDO REGULATORS						
V_{IN_LDOx}	Input voltage range for LDO power inputs	V_{IN_LDOx} can be higher or lower than $V_{(VANA)}$	2.5	3.7	5.5	V
V_{OUT_LDOx}	Output voltage	Programmable voltage range	0.8		3.3	V
		Step size		0.1		
I_{OUT_LDOx}	Output current				300	mA
	Dropout voltage	$V_{(VIN_LDOx)} - V_{(VOUT_LDOx)}$, $I_{OUT} = I_{OUT(max)}$, Programmed output voltage is higher than $V_{(VIN_LDOx)}$			200	mV
$V_{OUT_LDO_DC}$	DC output voltage accuracy, includes voltage reference, DC load and line regulations, process, temperature	$V_{OUT} < 1\text{ V}$	-20		20	mV
		$V_{OUT} \geq 1\text{ V}$	-2%		2%	
DC_{LNR}	DC line regulation	$I_{OUT} = 1\text{ mA}$		0.1		%/V
DC_{LDR}	DC load regulation	$I_{OUT} = 1\text{ mA}$ to $I_{OUT(max)}$		0.8%		
T_{LDSR}	Transient load step response	$I_{OUT} = 1\text{ mA}$ to 300 mA , $T_R = T_F = 1\text{ }\mu\text{s}$		-50/+40		mV
T_{LNSR}	Transient line response	$V_{(VIN_LDOx)}$ stepping 3 V \leftrightarrow 3.5 V, $T_R = T_F = 10\text{ }\mu\text{s}$, $I_{OUT} = I_{OUT(max)}$		± 7		mV
PSRR	Power supply ripple rejection	$f = 10\text{ kHz}$, $I_{OUT} = I_{OUT(max)}$		53		dB
	Noise	$10\text{ Hz} < F < 100\text{ kHz}$, $I_{OUT} = I_{OUT(max)}$		82		μV_{rms}
$I_{SHORT(LDOx)}$	LDO current limit	$V_{OUT} = 0\text{ V}$	400	500	600	mA
	Start-up time	From enable to valid output voltage		300		μs
	Slew rate during start-up			15		mV/ μs
R_{DIS_LDOx}	Output pulldown resistance	Regulator disabled	150	250	350	Ω

(5) The final PFM-to-PWM and PWM-to-PFM switchover current varies slightly and is dependent on the output voltage, input voltage and the inductor current level.

Electrical Characteristics (continued)

Limits apply over the junction temperature range $-40^{\circ}\text{C} \leq T_J \leq +140^{\circ}\text{C}$, specified V_{VANA} , V_{VIN_Bx} , V_{VIN_LDOx} , V_{VOUT_Bx} , V_{VOUT_LDOx} and I_{OUT} range, unless otherwise noted. Typical values are at $T_J = 25^{\circ}\text{C}$, $V_{VANA} = V_{VIN_Bx} = V_{VIN_LDOx} = 3.7\text{ V}$, and $V_{OUT} = 1\text{ V}$, unless otherwise noted.⁽¹⁾⁽²⁾

PARAMETER		TEST CONDITIONS	MIN	TYP	MAX	UNIT
	Output voltage monitoring for PGOOD pin and for power-good interrupt	Overvoltage monitoring, voltage rising (compared to DC output voltage level, $V_{OUT_LDO_DC}$)	106%	108%	110%	
		Overvoltage monitoring, hysteresis	3%	3.5%	4%	
		Undervoltage monitoring, voltage falling (compared to DC output voltage level, $V_{OUT_LDO_DC}$)	90%	92%	94%	
		Undervoltage monitoring, hysteresis	3%	3.5%	4%	
		Deglitch time during operation and after voltage change	4		15	μs
	Gating time for PGOOD signal after regulator enable or voltage change	PGOOD_MODE = 0		800		μs
EXTERNAL CLOCK AND PLL						
f_{EXT_CLK}	External input clock ⁽⁶⁾	Nominal frequency	1		24	MHz
		Nominal frequency step size		1		
		Required accuracy from nominal frequency	-30%		10%	
	External clock detection	Delay for missing clock detection			1.8	μs
		Delay and debounce for clock detection			20	
	Clock change delay (internal to external)	Delay from valid clock detection to use of external clock		600		μs
	PLL output clock jitter	Cycle to cycle		300		ps, p-p
PROTECTION FUNCTIONS						
	Thermal warning	Temperature rising, TDIE_WARN_LEVEL = 0	115	125	135	$^{\circ}\text{C}$
		Temperature rising, TDIE_WARN_LEVEL = 1	127	137	147	
		Hysteresis		20		
	Thermal shutdown	Temperature rising	140	150	160	$^{\circ}\text{C}$
		Hysteresis		20		
V_{ANA_OVp}	VANA overvoltage	Voltage rising	5.6	5.8	6.1	V
		Voltage falling	5.45	5.73	5.96	
		Hysteresis	40			
V_{ANA_UVLO}	VANA undervoltage lockout	Voltage rising	2.51	2.63	2.75	V
		Voltage falling	2.5	2.6	2.7	
	Buck short-circuit detection	Threshold	280	360	440	mV
	LDO short-circuit detection	Threshold	190	300	450	mV
LOAD CURRENT MEASUREMENT FOR BUCK REGULATORS						
	Current measurement range	Maximum code			10.22	A
	Resolution	LSB		20		mA
	Measurement accuracy	$I_{OUT} > 1\text{ A}$ per phase		<10%		
	Measurement time	PFM mode (automatically changing to PWM mode for the measurement)		45		μs
		PWM mode		4		
CURRENT CONSUMPTION						

(6) The external clock frequency must be selected so that buck switching frequency is above 1.7 MHz.

Electrical Characteristics (continued)

Limits apply over the junction temperature range $-40^{\circ}\text{C} \leq T_J \leq +140^{\circ}\text{C}$, specified V_{VANA} , V_{VIN_Bx} , V_{VIN_LDOx} , V_{VOUT_Bx} , V_{VOUT_LDOx} and I_{OUT} range, unless otherwise noted. Typical values are at $T_J = 25^{\circ}\text{C}$, $V_{VANA} = V_{VIN_Bx} = V_{VIN_LDOx} = 3.7\text{ V}$, and $V_{OUT} = 1\text{ V}$, unless otherwise noted.⁽¹⁾⁽²⁾

PARAMETER		TEST CONDITIONS	MIN	TYP	MAX	UNIT
	Standby current consumption, regulators disabled			9		μA
	Active current consumption, one buck regulator enabled in auto mode, internal RC oscillator, PGOOD monitoring enabled	Single-phase output: $I_{OUT_Bx} = 0\text{ mA}$, not switching		58		μA
	Active current consumption, two buck regulators enabled in auto mode, internal RC oscillator, PGOOD monitoring enabled	Single-phase output: $I_{OUT_Bx} = 0\text{ mA}$, not switching		100		μA
	Active current consumption, one buck regulator enabled in auto mode, internal RC oscillator, PGOOD monitoring enabled	Dual-phase output: $I_{OUT_Bx} = 0\text{ mA}$, not switching		72		μA
	Active current consumption during PWM operation, one buck regulator enabled	Single-phase output: $I_{OUT_Bx} = 0\text{ mA}$		15		mA
	Active current consumption during PWM operation, two buck regulators enabled	Single-phase output: $I_{OUT_Bx} = 0\text{ mA}$		30		mA
	Active current consumption during PWM operation, buck regulator enabled	Dual-phase output: $I_{OUT_Bx} = 0\text{ mA}$		15		mA
	LDO regulator enabled	Additional current consumption per LDO, $I_{OUT_LDOx} = 0\text{ mA}$		86		μA
	PLL and clock detector current consumption	$f_{EXT_CLK} = 1\text{ MHz}$, Additional current consumption when enabled		2		mA
DIGITAL INPUT SIGNALS EN, SCL, SDA, CLKIN						
V_{IL}	Input low level				0.4	V
V_{IH}	Input high level		1.2			
V_{HYS}	Hysteresis of Schmitt Trigger inputs		10	80	200	mV
	EN/CLKIN pulldown resistance	EN_PD/CLKIN_PD = 1		500		$\text{k}\Omega$
DIGITAL OUTPUT SIGNALS nINT, SDA						
V_{OL}	Output low level	nINT: $I_{SOURCE} = 2\text{ mA}$			0.4	V
		SDA: $I_{SOURCE} = 20\text{ mA}$			0.4	V
R_P	External pullup resistor for nINT	To VIO Supply		10		$\text{k}\Omega$
DIGITAL OUTPUT SIGNALS PGOOD, GPO, GPO2						
V_{OL}	Output low level	$I_{SOURCE} = 2\text{ mA}$			0.4	V
V_{OH}	Output high level, configured to push-pull	$I_{SINK} = 2\text{ mA}$	$V_{VANA} - 0.4$		V_{VANA}	V

Electrical Characteristics (continued)

Limits apply over the junction temperature range $-40^{\circ}\text{C} \leq T_J \leq +140^{\circ}\text{C}$, specified V_{VANA} , V_{VIN_Bx} , V_{VIN_LDOx} , V_{VOUT_Bx} , V_{VOUT_LDOx} and I_{OUT} range, unless otherwise noted. Typical values are at $T_J = 25^{\circ}\text{C}$, $V_{VANA} = V_{VIN_Bx} = V_{VIN_LDOx} = 3.7\text{ V}$, and $V_{OUT} = 1\text{ V}$, unless otherwise noted.⁽¹⁾⁽²⁾

PARAMETER		TEST CONDITIONS	MIN	TYP	MAX	UNIT
V_{PU}	Supply voltage for external pullup resistor, configured to open-drain				V_{VANA}	V
R_{PU}	External pullup resistor, configured to open-drain			10		k Ω
ALL DIGITAL INPUTS						
I_{LEAK}	Input current	All logic inputs over pin voltage range	-1		1	μA

6.6 I²C Serial Bus Timing Parameters

These specifications are ensured by design. Unless otherwise noted, $V_{IN_BX} = 3.7$ V. See ⁽¹⁾ and Figure 1.

			MIN	MAX	UNIT
f _{SCL}	Serial clock frequency	Standard mode		100	kHz
		Fast mode		400	
		Fast mode+		1	MHz
		High-speed mode, C _b = 100 pF		3.4	
		High-speed mode, C _b = 400 pF		1.7	
t _{LOW}	SCL low time	Standard mode	4.7		μs
		Fast mode	1.3		
		Fast mode+	0.5		
		High-speed mode, C _b = 100 pF	0.16		
		High-speed mode, C _b = 400 pF	0.32		
t _{HIGH}	SCL high time	Standard mode	4		μs
		Fast mode	0.6		
		Fast mode+	0.26		
		High-speed mode, C _b = 100 pF	0.06		
		High-speed mode, C _b = 400 pF	0.12		
t _{SU;DAT}	Data setup time	Standard mode	250		ns
		Fast mode	100		
		Fast mode+	50		
		High-speed mode	10		
t _{HD;DAT}	Data hold time	Standard mode	10	3450	ns
		Fast mode	10	900	
		Fast mode+	10		
		High-speed mode, C _b = 100 pF	10	70	
		High-speed mode, C _b = 400 pF	10	150	
t _{SU;STA}	Setup time for a start or a repeated start condition	Standard mode	4.7		μs
		Fast mode	0.6		
		Fast mode+	0.26		
		High-speed mode	0.16		
t _{HD;STA}	Hold time for a start or a repeated start condition	Standard mode	4		μs
		Fast mode	0.6		
		Fast mode+	0.26		
		High-speed mode	0.16		
t _{BUF}	Bus free time between a stop and start condition	Standard mode	4.7		μs
		Fast mode	1.3		
		Fast mode +	0.5		
t _{SU;STO}	Setup time for a stop condition	Standard mode	4		μs
		Fast mode	0.6		
		Fast mode+	0.26		
		High-speed mode	0.16		
t _{rDA}	Rise time of SDA signal	Standard mode		1000	ns
		Fast mode	20	300	
		Fast mode+		120	
		High-speed mode, C _b = 100 pF	10	80	
		High-speed mode, C _b = 400 pF	20	160	

(1) C_b refers to the capacitance of one bus line.

I²C Serial Bus Timing Parameters (continued)

These specifications are ensured by design. Unless otherwise noted, $V_{IN_BX} = 3.7$ V. See ⁽¹⁾ and Figure 1.

		MIN	MAX	UNIT	
t_{rDA}	Fall time of SDA signal	Standard mode	300	ns	
		Fast mode	$20 \times (V_{DD} / 5.5 \text{ V})$		300
		Fast mode+	$20 \times (V_{DD} / 5.5 \text{ V})$		120
		High-speed mode, $C_b = 100$ pF	10		80
		High-speed mode, $C_b = 400$ pF	30		160
t_{rCL}	Rise time of SCL signal	Standard mode	1000	ns	
		Fast mode	20		300
		Fast mode+			120
		High-speed mode, $C_b = 100$ pF	10		40
		High-speed mode, $C_b = 400$ pF	20		80
t_{rCL1}	Rise time of SCL signal after a repeated start condition and after an acknowledge bit	High-speed mode, $C_b = 100$ pF	10	ns	
		High-speed mode, $C_b = 400$ pF	20		160
t_{fCL}	Fall time of a SCL signal	Standard mode	300	ns	
		Fast mode	$20 \times (V_{DD} / 5.5 \text{ V})$		300
		Fast mode+	$20 \times (V_{DD} / 5.5 \text{ V})$		120
		High-speed mode, $C_b = 10 - 100$ pF	10		40
		High-speed mode, $C_b = 400$ pF	20		80
C_b	Capacitive load for each bus line (SCL and SDA)		400	pF	
t_{SP}	Pulse width of spike suppressed (SCL and SDA spikes that are less than the indicated width are suppressed)	Standard mode, fast mode, and fast mode+	50	ns	
		High-speed mode	10		

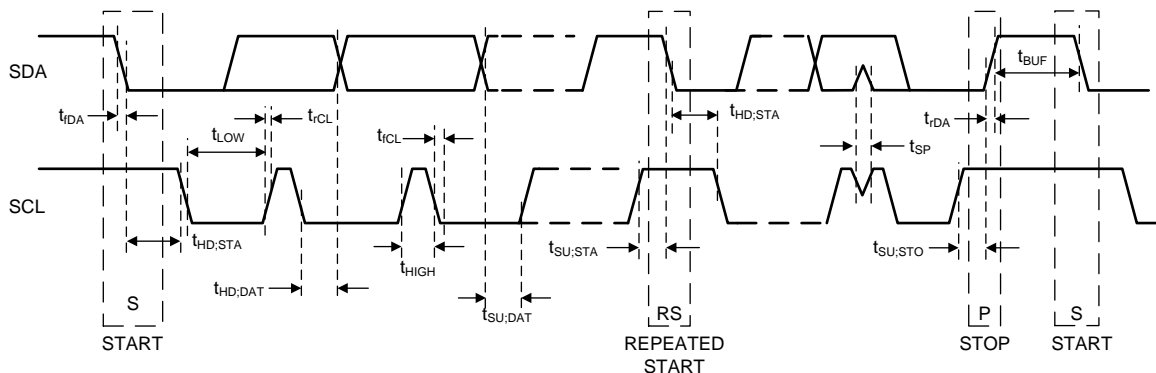
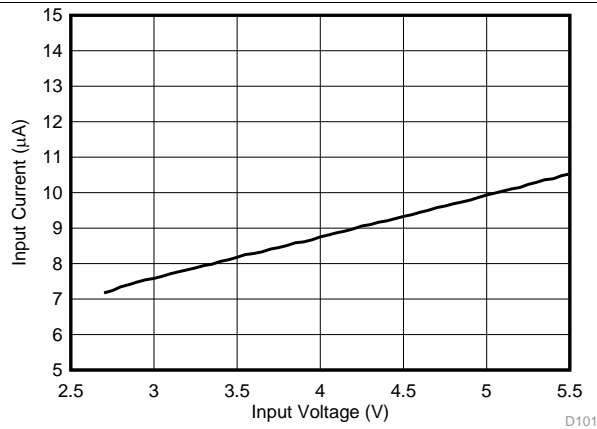


Figure 1. I²C Timing

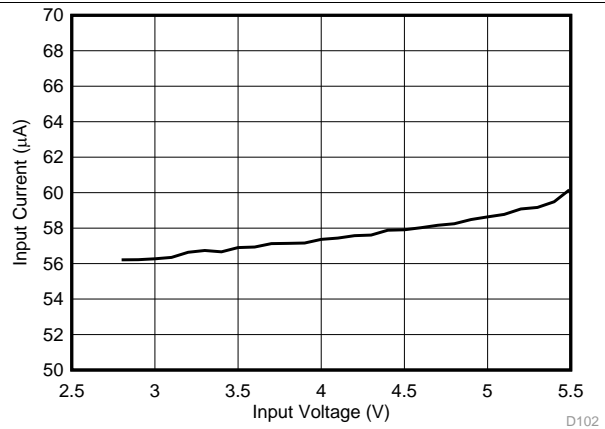
6.7 Typical Characteristics

Unless otherwise specified: $V_{(VIN_Bx)} = V_{(VIN_LDOx)} = V_{(VANA)} = 3.7\text{ V}$, $V_{OUT_Bx} = 1\text{ V}$, $V_{OUT_LDO} = 1\text{ V}$, $T_A = 25^\circ\text{C}$, $L = 0.47\text{ }\mu\text{H}$ (TOKO DFE252012PD-R47M), $C_{OUT_BUCK} = 22\text{ }\mu\text{F / phase}$, $C_{POL_BUCK} = 22\text{ }\mu\text{F}$, and $C_{OUT_LDO} = 1\text{ }\mu\text{F}$.



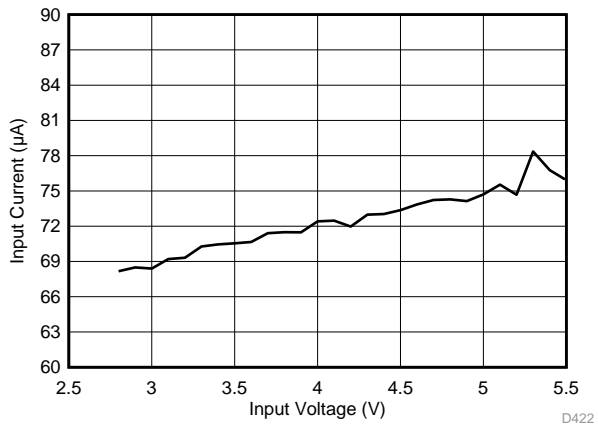
Regulators disabled

Figure 2. Standby Current Consumption vs Input Voltage



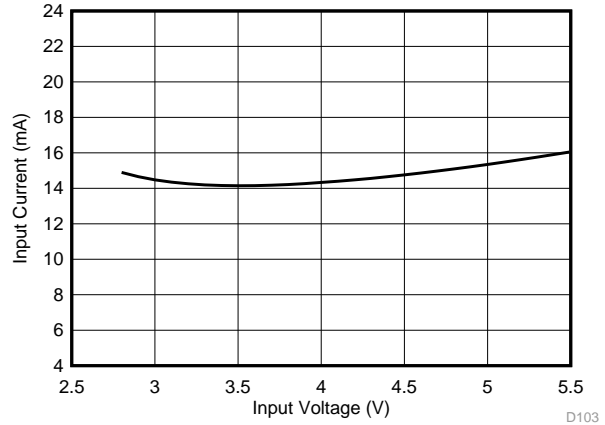
$V_{OUT_Bx} = 1\text{ V}$ Load = 0 mA

Figure 3. Active State Current Consumption vs Input Voltage, One Buck Regulator Enabled in PFM Mode (single-phase)



$V_{OUT_Bx} = 1\text{ V}$ Load = 0 mA

Figure 4. Active State Current Consumption vs Input Voltage, Regulator Enabled in PFM Mode (dual-phase)

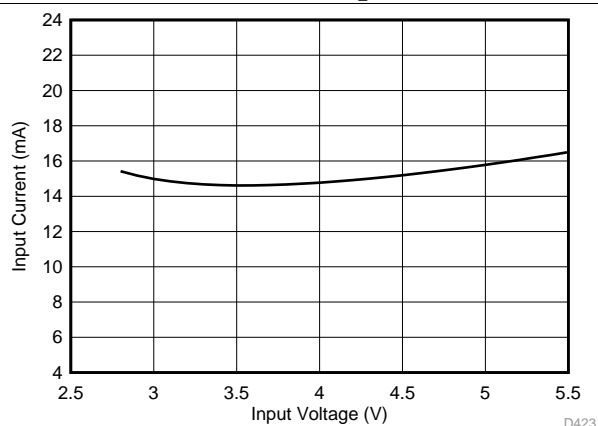


$V_{OUT_Bx} = 1\text{ V}$ Load = 0 mA

Figure 5. Active State Current Consumption vs Input Voltage, One Buck Regulator Enabled in Forced PWM Mode (single-phase)

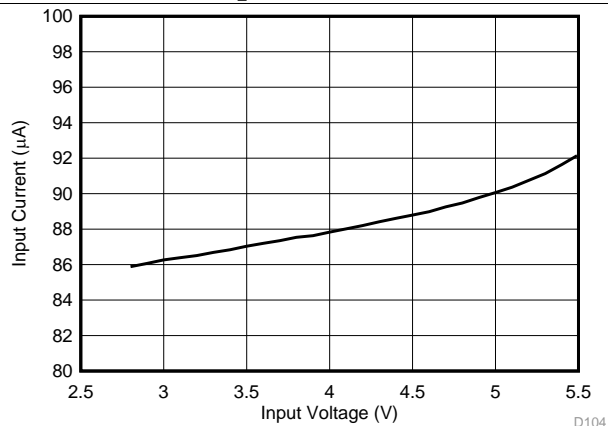
Typical Characteristics (continued)

Unless otherwise specified: $V_{(VIN_Bx)} = V_{(VIN_LDOx)} = V_{(VANA)} = 3.7\text{ V}$, $V_{OUT_Bx} = 1\text{ V}$, $V_{OUT_LDO} = 1\text{ V}$, $T_A = 25^\circ\text{C}$, $L = 0.47\text{ }\mu\text{H}$ (TOKO DFE252012PD-R47M), $C_{OUT_BUCK} = 22\text{ }\mu\text{F / phase}$, $C_{POL_BUCK} = 22\text{ }\mu\text{F}$, and $C_{OUT_LDO} = 1\text{ }\mu\text{F}$.



$V_{OUT_Bx} = 1\text{ V}$ Load = 0 mA

Figure 6. Active State Current Consumption vs Input Voltage, Regulator Enabled in Forced PWM Mode (dual-phase)



$V_{OUT_LDOx} = 1\text{ V}$ Load = 0 mA

Figure 7. Active State Current Consumption vs Input Voltage, One LDO Regulator Enabled

7 Detailed Description

7.1 Overview

The LP8733xx-Q1 is a high-efficiency, high-performance flexible power supply device with two step-down DC/DC converter cores (Buck0 and Buck1) and two low-dropout (LDO) linear regulators (LDO0 and LDO1) for automotive applications. The cores can be configured for a two single-phase output and dual-phase single output configuration. [Table 1](#) lists the output characteristics of the regulators.

Table 1. Supply Specification

SUPPLY	OUTPUT		
	V _{OUT} RANGE (V)	RESOLUTION (mV)	I _{MAX} MAXIMUM OUTPUT CURRENT (mA)
Buck0 (single-phase)	0.7 to 3.36	10 (0.7 V to 0.73 V) 5 (0.73 V to 1.4 V) 20 (1.4 V to 3.36 V)	3000
Buck1 (single-phase)	0.7 to 3.36	10 (0.7 V to 0.73 V) 5 (0.73 V to 1.4 V) 20 (1.4 V to 3.36 V)	3000
Buck0/1 (dual-phase)	0.7 to 3.36	10 (0.7 V to 0.73 V) 5 (0.73 V to 1.4 V) 20 (1.4 V to 3.36 V)	6000
LDO0	0.8 to 3.3	100	300
LDO1	0.8 to 3.3	100	300

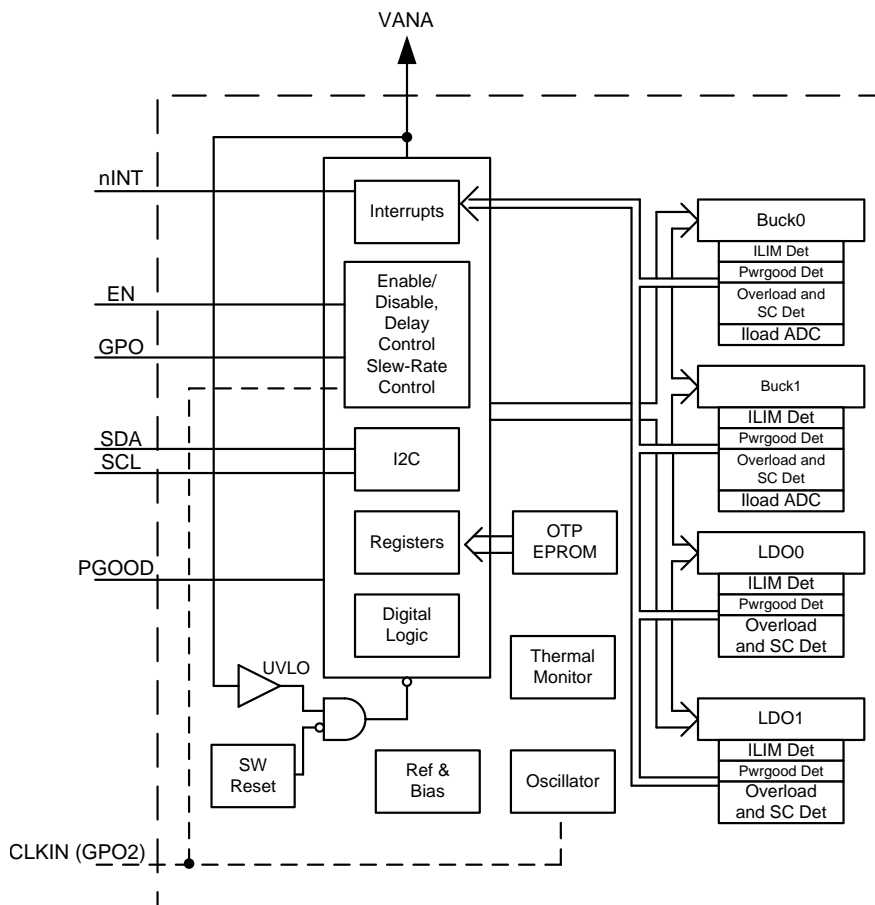
The LP8733xx-Q1 also supports switching clock synchronization to an external clock (CLKIN pin). The nominal frequency of the external clock can be from 1 MHz to 24 MHz with 1-MHz steps.

Additional features include:

- Soft-start
- Input voltage protection:
 - Undervoltage lockout
 - Overvoltage protection
- Output voltage monitoring and protection:
 - Overvoltage monitoring
 - Undervoltage monitoring
 - Overload protection
- Thermal warning
- Thermal shutdown

The LP8733xx-Q1 has one dedicated general purpose digital output (GPO) signal. CLKIN pin can be programmed as a second GPO signal (GPO2) if external clock is not needed. The output type (open-drain or push-pull) is programmable for the GPOs.

7.2 Functional Block Diagram



Copyright © 2016, Texas Instruments Incorporated

7.3 Feature Description

7.3.1 DC/DC Converters

7.3.1.1 Overview

The LP8733xx-Q1 includes two step-down DC/DC converter cores. The cores are designed for flexibility; most of the functions are programmable, thus giving a possibility to optimize the regulator operation for each application. The cores can be configured either for a dual-phase single output configuration or for a single-phase dual output configuration. The buck regulators deliver 0.7-V to 3.36-V regulated voltage rails from a 2.8-V to 5.5-V supply voltage.

The LP8733xx-Q1 has the following features:

- DVS support with programmable slew rate
- Automatic mode control based on the loading (PFM or PWM mode)
- Forced PWM mode option
- Optional external clock input to minimize crosstalk
- Optional spread-spectrum technique to reduce EMI
- Phase control for optimized EMI
- Synchronous rectification
- Current mode loop with PI compensator
- Soft start

Feature Description (continued)

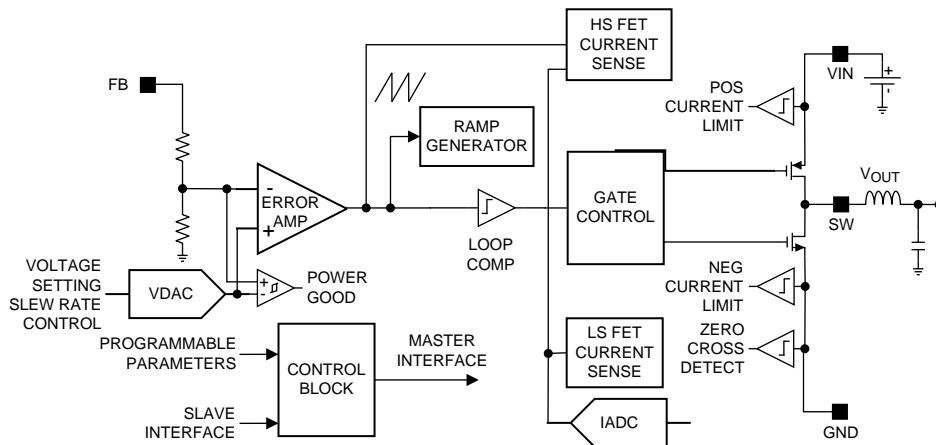
- Power Good flag with maskable interrupt
- Power Good signal (PGOOD) with selectable sources
- Average output current sensing (for PFM entry, phase shedding/adding in dual-phase configuration, and load current measurement)
- Current balancing between the phases of the converter in dual-phase configuration
- Differential voltage sensing from point of the load in dual-phase configuration
- Dynamic phase shedding/adding, each output being phase shifted in dual-phase configuration

The following parameters can be programmed via registers, the default values are set by OTP bits:

- Output voltage
- Forced PWM operation
- Forced dual-phase operation (forces also the PWM operation)
- Switch current limit
- Output voltage slew rate
- Enable and disable delays

There are two modes of operation for the buck converter, depending on the output current required: pulse-width modulation (PWM) and pulse-frequency modulation (PFM). The converter operates in PWM mode at high load currents of approximately 600 mA or higher. When operating in PWM mode in dual-phase configuration the phases are automatically added/shedded based on the load current level. Lighter output current loads cause the converter to automatically switch into PFM mode for reduced current consumption when forced PWM mode is disabled. The forced PWM mode can be selected to maintain fixed switching frequency at all load current levels.

A block diagram of a single core is shown in [Figure 8](#).



Copyright © 2016, Texas Instruments Incorporated

Figure 8. Detailed Block Diagram Showing One Core

7.3.1.2 Dual-Phase Operation and Phase-Adding/Shedding

Under heavy load conditions, the dual-phase converter switches both channel 180° apart. As a result, the dual-phase converter has an effective ripple frequency two times greater than the switching frequency of a single phase. However, the parallel operation decreases the efficiency at light load conditions. In order to overcome this operational inefficiency, the LP8733xx-Q1 can change the number of active phases to optimize efficiency for the variations of the load. This is called phase adding/shedding. The concept is shown in [Figure 9](#).

The converter can be forced to dual-phase operation by the BUCK0_FPWM_MP bit in BUCK0_CTRL_1 register. If the regulator operates in forced dual-phase mode the forced PWM operation is automatically used. If the dual-phase operation is not forced, the number of phases are added and shedded automatically to follow the required output current.

Feature Description (continued)

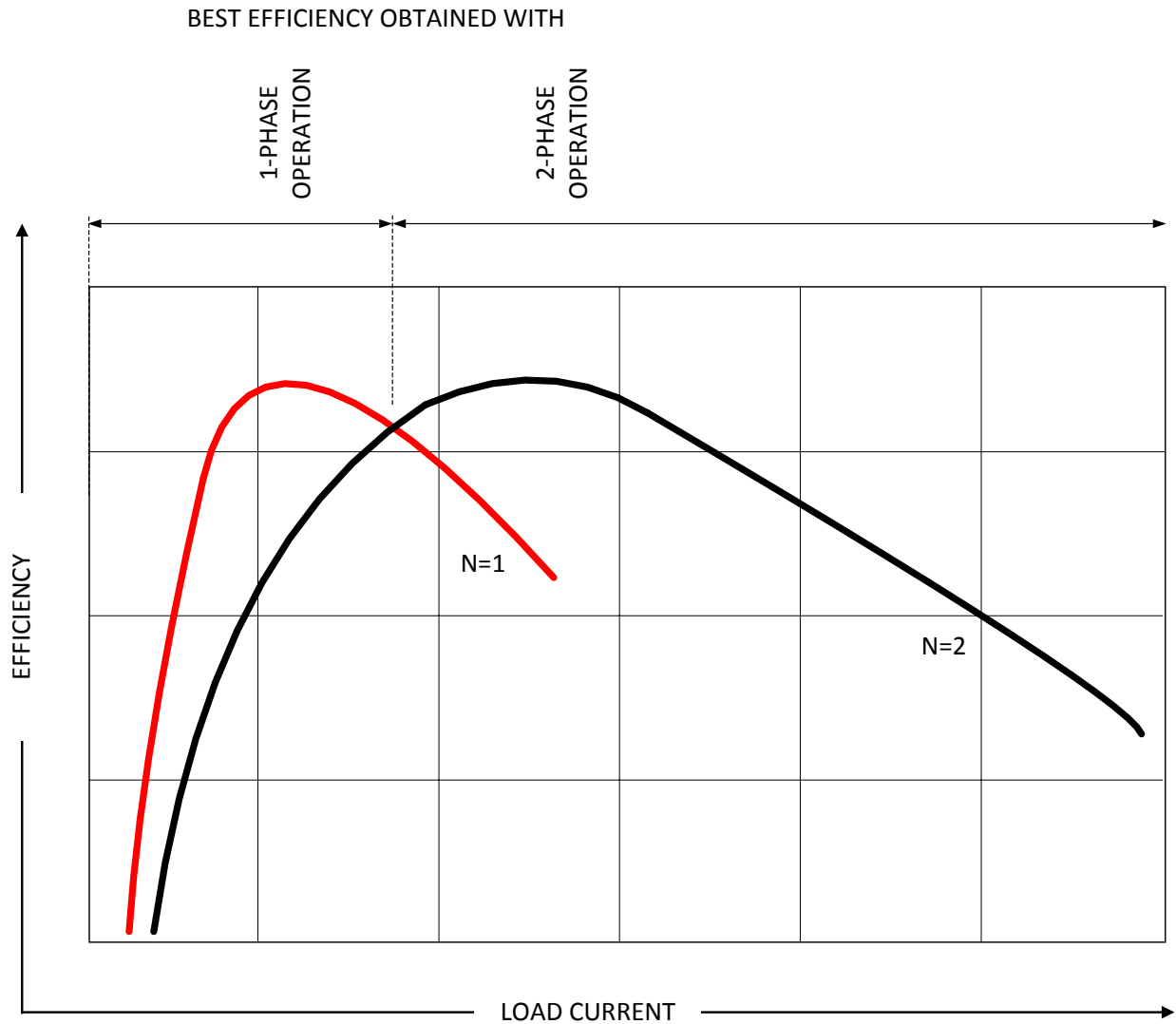


Figure 9. Multiphase Buck Converter Efficiency vs Number of Phases. All Converters in PWM mode. (UPDATE) ⁽¹⁾

Interleaving switching action of the converters and channels in a 2-phase configuration is shown in [Figure 10](#).

(1) Graph is not in scale and is for illustrative purposes only.

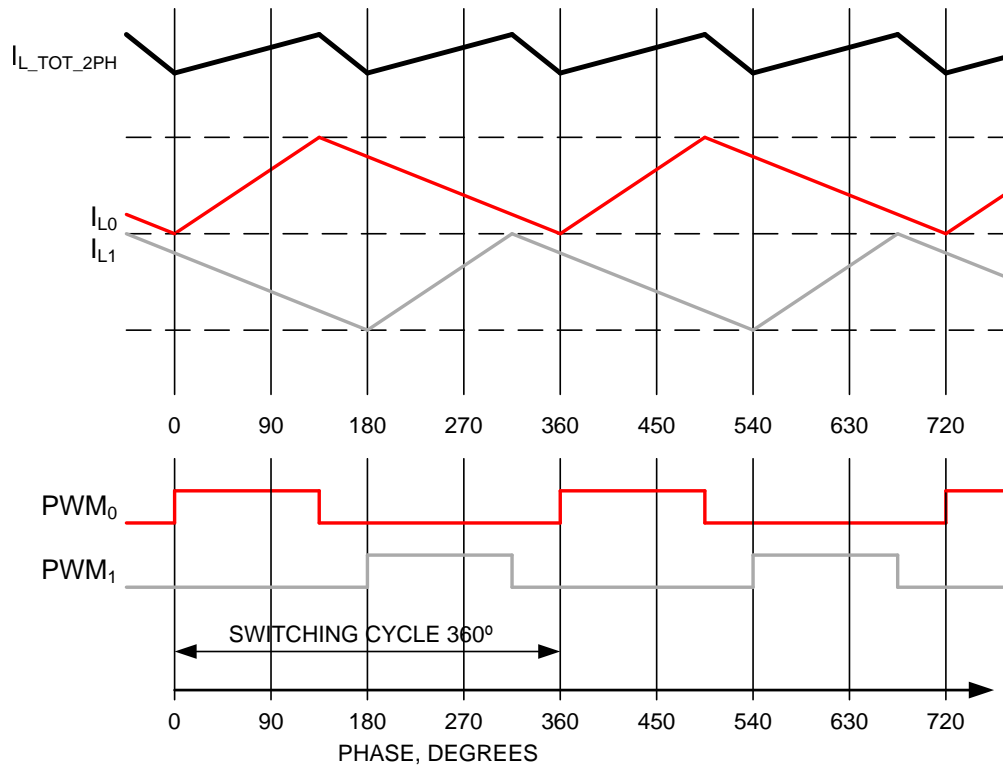
Feature Description (continued)


Figure 10. PWM Timings and Inductor Current Waveforms in 2-phase Configuration. (UPDATE) ⁽²⁾

7.3.1.3 Transition Between PWM and PFM Modes

PWM mode operation with phase-adding/shedding optimizes efficiency at mid to full load at the expense of light-load efficiency. The LP8733xx-Q1 converter operates in PWM mode at load current of about 600 mA or higher. At lighter load current levels the device automatically switches into PFM mode for reduced current consumption when forced PWM mode is disabled (AUTO mode operation). By combining the PFM and the PWM modes a high efficiency is achieved over a wide output-load current range.

7.3.1.4 Dual-Phase Switcher Configurations

The LP8733xx-Q1 device supports the following regulator configurations:

- Single dual-phase configuration, Buck0 is master (buck0 and buck1)
- Two single-phase configuration (buck0 and buck1)

In the dual-phase configuration the control of the dual-phase regulator settings is done using the control registers of the master buck. The following slave registers are ignored:

- BUCK1_CTRL_1, except EN_RDIS1 bit
- BUCK1_CTRL_2, except ILIM1[2:0] bits
- BUCK1_VOUT
- BUCK1_DELAY
- interrupt bits related to the slave buck, except BUCK1_ILIM_INT

⁽²⁾ Graph is not in scale and is for illustrative purposes only.

Feature Description (continued)

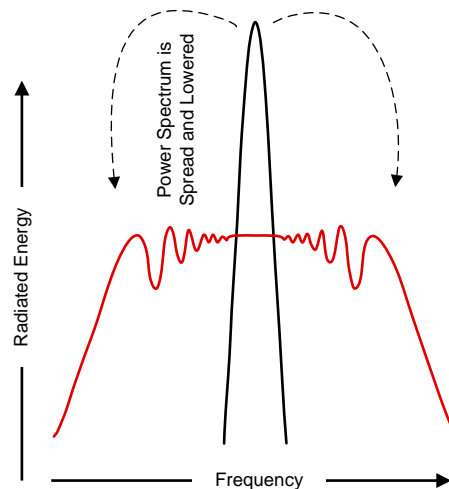
7.3.1.5 Buck Converter Load Current Measurement

Buck load current can be monitored via I²C registers. The monitored buck converter is selected with the LOAD_CURRENT_BUCK_SELECT bit in SEL_I_LOAD register. A write to this selection register starts a current measurement sequence. The regulator is automatically forced to PWM mode for the measurement period. The measurement sequence is 50 μ s long, maximum.

LP8733xx-Q1 can be configured to give out an interrupt (I_MEAS_INT bit in INT_TOP_1 register) after the load current measurement sequence is finished. Load current measurement interrupt can be masked with I_MEAS_MASK bit (TOP_MASK_1 register). The measurement result can be read from registers I_LOAD_1 and I_LOAD_2. Register I_LOAD_1 bits BUCK_LOAD_CURRENT[7:0] give out the LSB bits and register I_LOAD_2 bit BUCK_LOAD_CURRENT[8] the MSB bit. The measurement result BUCK_LOAD_CURRENT[8:0] LSB is 20 mA, and maximum code value of the measurement corresponds to 10.22 A. In dual-phase configuration the measured current is the total value of the master and slave phases.

7.3.1.6 Spread-Spectrum Mode

Systems with periodic switching signals may generate a large amount of switching noise in a set of narrowband frequencies (the switching frequency and its harmonics). The usual solution to reduce noise coupling is to add EMI-filters and shields to the boards. The LP8733xx-Q1 has register selectable spread-spectrum mode which minimizes the need for output filters, ferrite beads, or chokes. In spread spectrum mode, the switching frequency varies around the center frequency, reducing the EMI emissions radiated by the converter and associated passive components and PCB traces (see [Figure 11](#)). This feature is available only when internal RC oscillator is used (EN_PLL bit is 0 in PLL_CTRL register), and it is enabled with the EN_SPREAD_SPEC bit in CONFIG register, and it affects both buck cores.



Where a fixed frequency converter exhibits large amounts of spectral energy at the switching frequency, the spread spectrum architecture of the LP8733xx-Q1 spreads that energy over a large bandwidth.

Figure 11. Spread-Spectrum Modulation

7.3.2 Sync Clock Functionality

The LP8733xx-Q1 device contains a CLKIN input to synchronize the switching clock of the buck regulators with the external clock. The block diagram of the clocking and PLL module is shown in [Figure 12](#). Depending on the EN_PLL bit in PLL_CTRL register and the external clock availability, the external clock is selected and interrupt is generated as shown in [Table 2](#). The interrupt can be masked with SYNC_CLK_MASK bit in TOP_MASK_1 register. The nominal frequency of the external input clock is set by EXT_CLK_FREQ[4:0] bits in PLL_CTRL register, and it can be from 1 MHz to 24 MHz with 1-MHz steps. The external clock must be inside accuracy limits (-30%/+10%) of the selected frequency for valid clock detection.

The SYNC_CLK_INT interrupt in INT_TOP_1 register is also generated in cases where the external clock is expected but it is not available. These cases are start-up (read OTP-to-standby transition) when EN_PLL is 1 and Buck regulator enable (standby-to-active transition) when EN_PLL is 1.

Feature Description (continued)

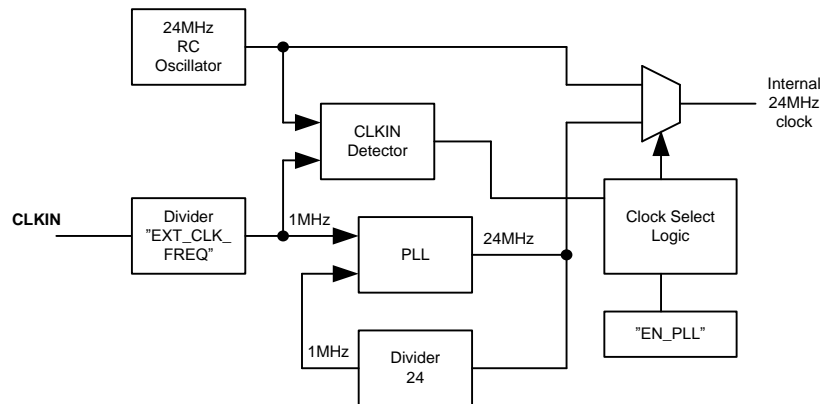


Figure 12. Clock and PLL Module

Table 2. PLL Operation

DEVICE OPERATION MODE	EN_PLL	PLL AND CLOCK DETECTOR STATE	INTERRUPT FOR EXTERNAL CLOCK	CLOCK
STANDBY	0	Disabled	No	Internal RC
ACTIVE	0	Disabled	No	Internal RC
STANDBY	1	Enabled	When external clock appears or disappears	Automatic change to external clock when available
ACTIVE	1	Enabled	When external clock appears or disappears	Automatic change to external clock when available

7.3.3 Low-Dropout Linear Regulators (LDOs)

The LP8733xx-Q1 device includes two identical linear regulators, LDO0 and LDO1, targeting analog loads with low noise requirements. The LDO regulators deliver 0.8-V to 3.3-V regulated voltage rails from a 2.5-V to 5.5-V input voltage. Both regulators have dedicated inputs which can be higher or lower than the device system voltage $V_{(VANA)}$ to minimize the power dissipation.

7.3.4 Power-Up

The power-up sequence for the LP8733xx-Q1 is as follows:

- VANA (and VIN_Bx) reach minimum recommended levels ($V_{VANA} > VANA_{UVLO}$). This initiates power-on-reset (POR), OTP reading, and enables the system I/O interface. The I²C host should allow at least 1.2 ms before writing or reading data to the LP8733xx-Q1.
- Device enters standby mode.
- The host can change the default register setting by I²C if needed.
- The regulators can be enabled/disabled and the GPO signals can be controlled by EN pin and by I²C interface.

Transitions between the operating modes are shown in [Modes of Operation](#).

7.3.5 Regulator Control

7.3.5.1 Enabling and Disabling Regulators

The regulators can be enabled when the device is in STANDBY or ACTIVE state. There are two ways for enable and disable the buck regulators:

- Using BUCKx_EN bit in BUCKx_CTRL_1 register (BUCKx_EN_PIN_CTRL bit is 0 in BUCKx_CTRL_1 register)
- Using EN control pin (BUCKx_EN bit is 1 **AND** BUCKx_EN_PIN_CTRL bit is 1)

Similarly there are two ways to enable and disable the LDO regulators:

- Using LDOx_EN bit in LDOx_CTRL register (LDOx_EN_PIN_CTRL bit is 0 in LDOx_CTRL register)
- Using EN control pin (LDOx_EN bit is 1 **AND** LDOx_EN_PIN_CTRL bit is 1)

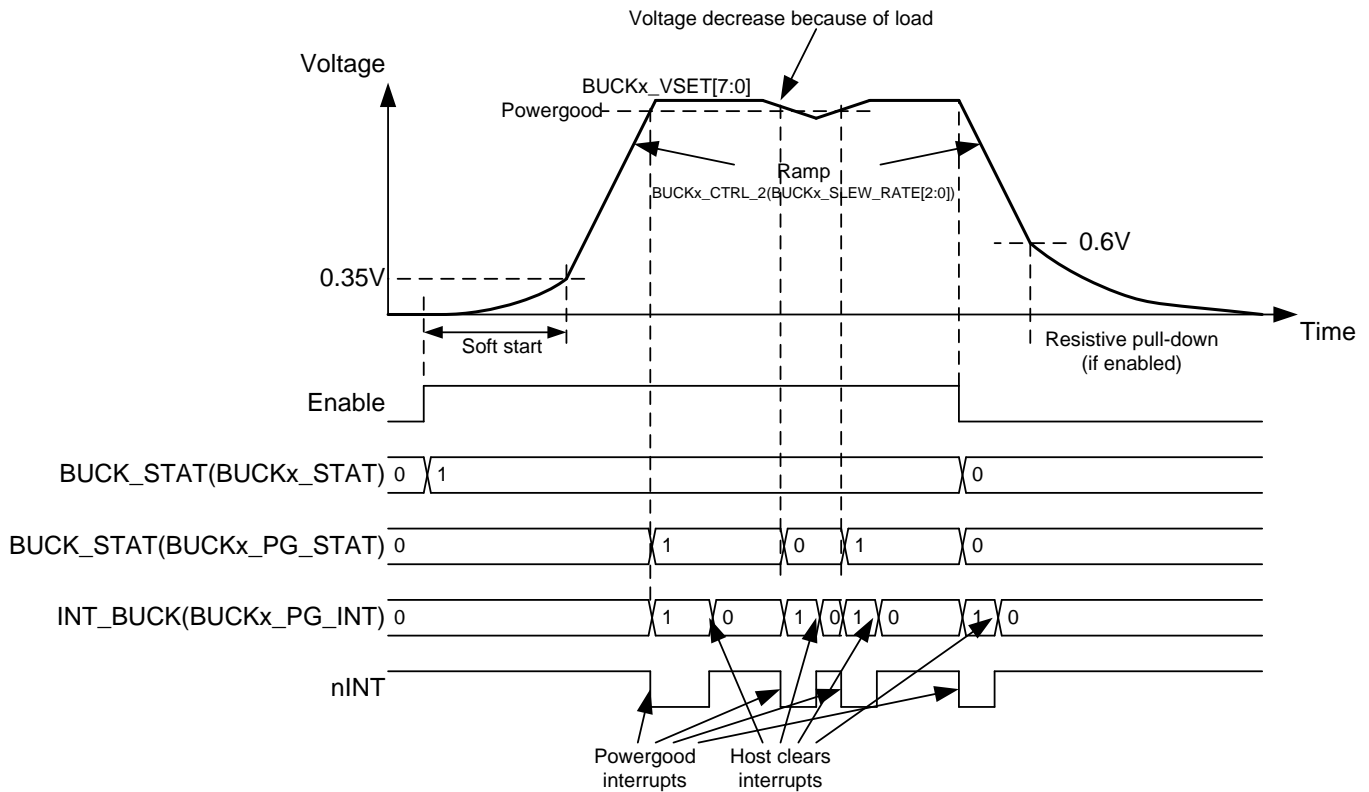
If the EN control pin is used for enable and disable then the delay from the control signal rising edge to start-up is set by BUCKx_STARTUP_DELAY[3:0] bits in BUCKx_DELAY register and LDOx_STARTUP_DELAY[3:0] bits in LDOx_DELAY register and the delay from control signal falling edge to shutdown is set by BUCKx_SHUTDOWN_DELAY[3:0] bits in BUCKx_DELAY register and LDOx_SHUTDOWN_DELAY[3:0] bits in LDOx_DELAY register. The delays are valid only for EN signal transitions and not for control with I²C writings to BUCKx_EN and LDOx_EN bits.

The control of the regulator (with 0-ms delays) is shown in [Table 3](#). Dual-phase regulator is controlled with registers of the master phase.

Table 3. Regulator Control

	BUCKx_EN / LDOx_EN	BUCKx_EN_PIN_CTRL / LDOx_EN_PIN_CTRL	EN PIN	BUCKx OUTPUT VOLTAGE / LDOx OUTPUT VOLTAGE
Enable/disable control with BUCKx_EN/LDOx_EN bit	0	Don't Care	Don't Care	Disabled
	1	0	Don't Care	BUCKx_VSET[7:0] / LDOx_VSET[4:0]
Enable/disable control with EN pin	1	1	Low	Disabled
	1	1	High	BUCKx_VSET[7:0] / LDOx_VSET[4:0]

The buck regulator is enabled by the EN pin or by I²C writing as shown in [Figure 13](#). The soft-start circuit limits the in-rush current during start-up. When the output voltage rises to a 0.35-V level, the output voltage becomes slew-rate controlled. If there is a short circuit at the output, and the output voltage does not increase above the 0.35-V level in 1 ms or the output voltage drops below 0.35-V level during operation (for minimum of 1 ms), the regulator is disabled, and BUCKx_SC_INT interrupt in INT_BUCK register is set. When the output voltage reaches the Power-Good threshold level the BUCKx_PG_INT interrupt flag in INT_BUCK register is set. The Power-Good interrupt flag when reaching valid output voltage can be masked using BUCKx_PGR_MASK bit in BUCK_MASK register. The Power-Good interrupt flag can be also generated when the output voltage becomes invalid. The interrupt mask for invalid output voltage detection is set by BUCKx_PGF_MASK bit in BUCK_MASK register. A BUCKx_PG_STAT bit in BUCK_STAT register shows always the validity of the output voltage: 1 means valid and 0 means invalid output voltage. A PGOOD_WINDOW_BUCK bit in PGOOD_CTRL_1 register sets the detection method for the valid buck output voltage, either undervoltage detection or undervoltage and overvoltage detection.



BUCK_MASK(BUCK_x_PGF_MASK) = 0
 BUCK_MASK(BUCK_x_PGR_MASK) = 0

Figure 13. Buck Regulator Enable and Disable

The LDO regulator is enabled by the EN pin or by I²C writing as shown in Figure 14. The soft-start circuit limits the in-rush current during start-up. Output voltage increase rate is less than 100 mV/μsec during soft-start. If there is a short circuit at the output, and the output voltage does not increase above the 0.3-V level in 1 ms or the output voltage drops below 0.3-V level during operation (for minimum of 1 ms), the regulator is disabled, and LDO_x_SC_INT interrupt in INT_LDO register is set. When the output voltage reaches the Power-Good threshold level the LDO_x_PG_INT interrupt flag in INT_LDO register is set. The Power-Good interrupt flag when reaching valid output voltage can be masked using LDO_x_PGR_MASK bit in LDO_MASK register. The Power-Good interrupt flag can be also generated when the output voltage becomes invalid. The interrupt mask for invalid output voltage detection is set by LDO_x_PGF_MASK bit in LDO_MASK register. A LDO_x_PG_STAT bit in LDO_STAT register shows always the validity of the output voltage; 1 means valid, and 0 means invalid output voltage. A PGOOD_WINDOW_LDO bit in PGOOD_CTRL_1 register sets the detection method for the valid LDO output voltage, either undervoltage detection or undervoltage and overvoltage detection.

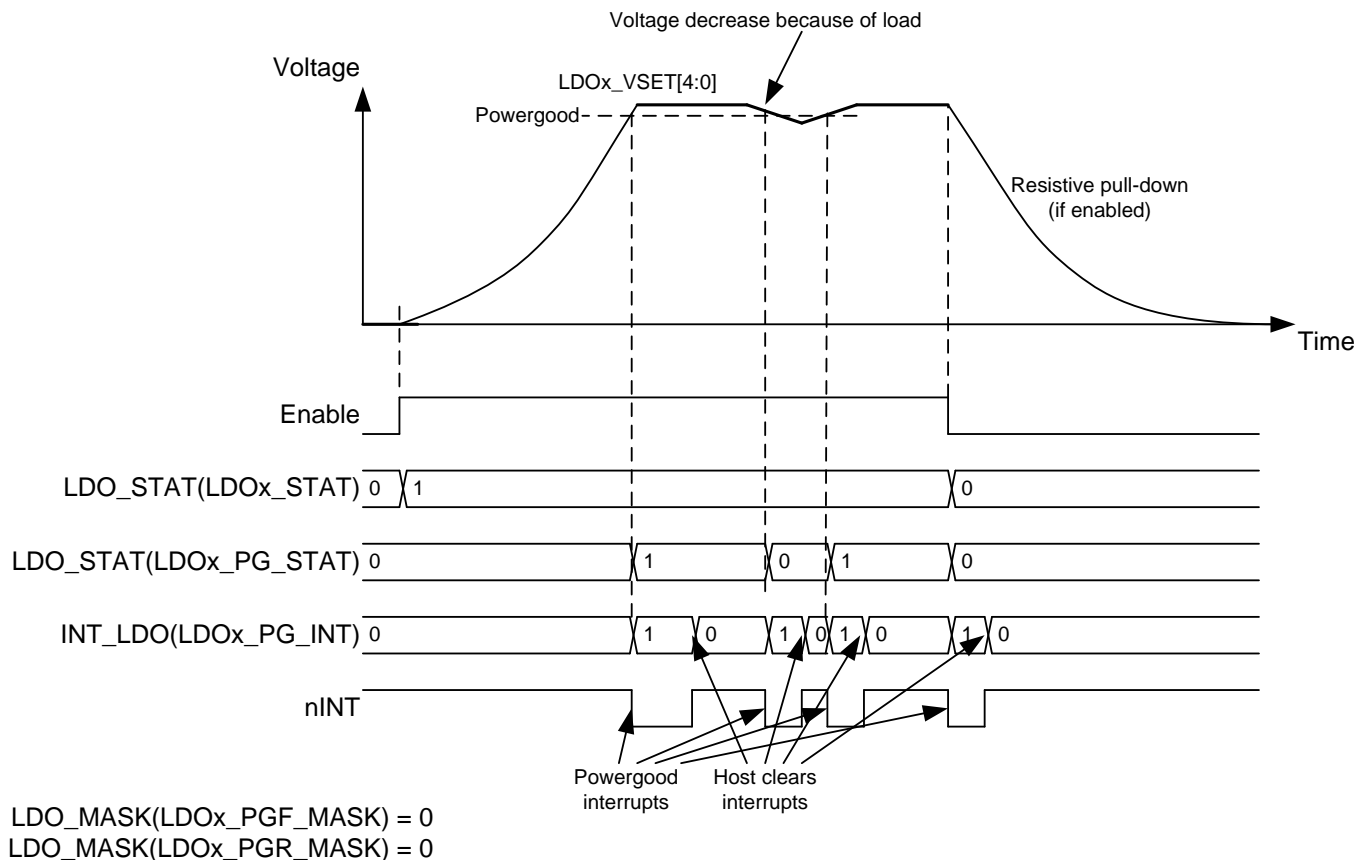


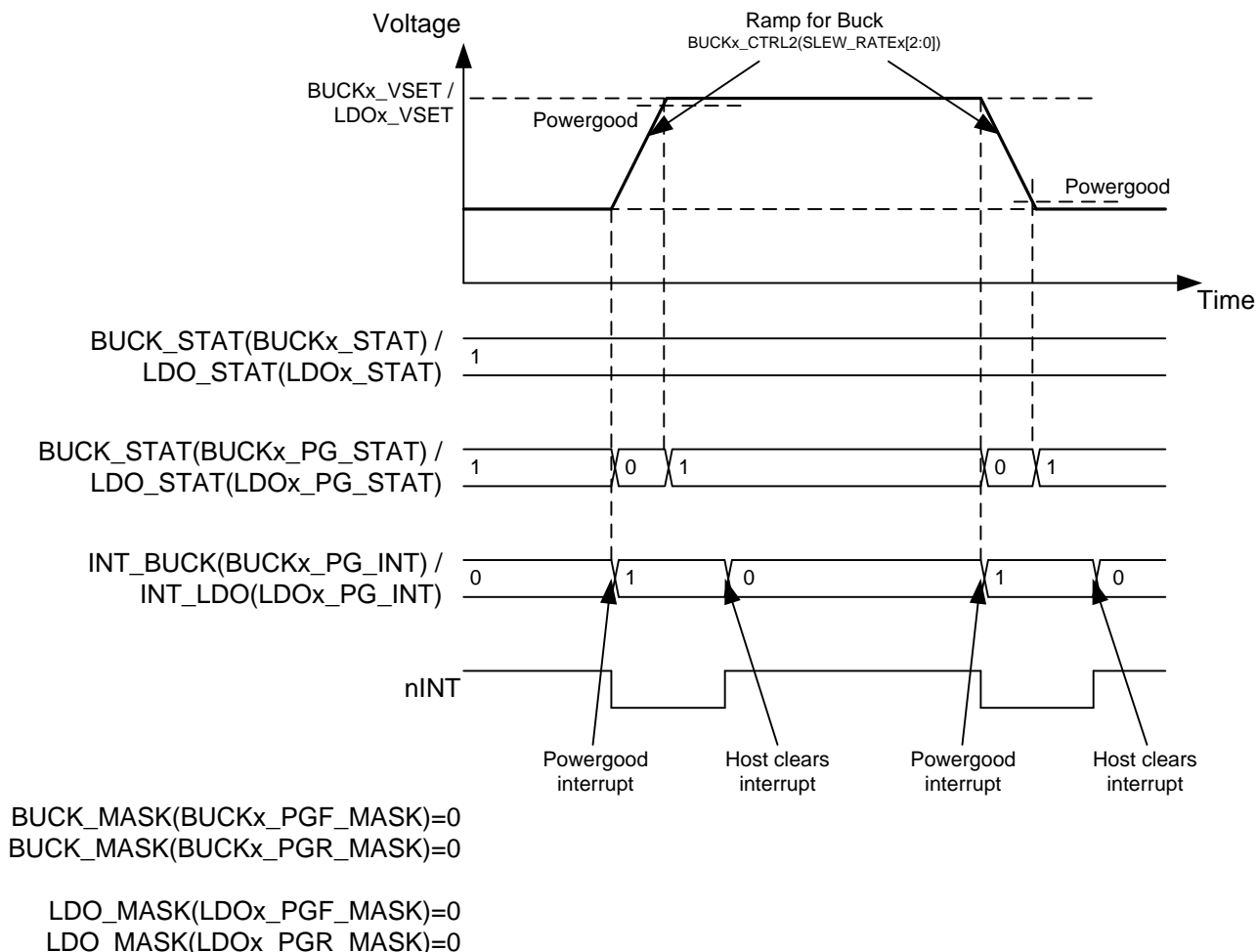
Figure 14. LDO Regulator Enable and Disable

The EN input pin have an integrated pulldown resistor. The pulldown resistor is controlled with EN_PD bit in CONFIG register.

7.3.5.2 Changing Output Voltage

The output voltage of the regulator can be changed by writing to the BUCKx_VOUT / LDOx_VOUT register. The voltage change for buck regulator is always slew-rate controlled, and the slew-rate is defined by the BUCKx_SLEW_RATE[2:0] bits in BUCKx_CTRL_2 register. During voltage change the forced PWM mode is used automatically. If the dual-phase operation is forced by the BUCK0_FPWM_MP bit in BUCK0_CTRL_1 register, the regulator operates in dual-phase mode. If the dual-phase operation is not forced, the number of phases are added and shedded automatically to follow the required slew rate. When the programmed output voltage is achieved, the mode becomes the one defined by load current, and the BUCKx_FPWM bit in BUCKx_CTRL_1 register and by BUCK0_FPWM_MP bit.

The voltage change and Power-Good interrupts are shown in [Figure 15](#).


Figure 15. Regulator Output Voltage Change

During an LDO voltage change the internal reference for the Power-Good detection is also changed. For this reason the Power Good may toggle during the LDO voltage change and can indicate valid output even when the output voltage is changing. This period takes less than 100 μ s and after that time the Power Good gives correct value.

7.3.6 Enable and Disable Sequences

The LP8733xx-Q1 device supports start-up and shutdown sequencing with programmable delays for different regulator outputs using single EN control signal. The Buck regulator is selected for delayed control with:

- $BUCKx_EN = 1$ in $BUCKx_CTRL_1$ register
- $BUCKx_EN_PIN_CTRL = 1$ in $BUCKx_CTRL_1$ register
- $BUCKx_VSET[7:0]$ bits in $BUCKx_VOUT$ register defines the voltage when EN pin is high
- The delay from rising edge of EN pin to the regulator enable is set by $BUCKx_STARTUP_DELAY[3:0]$ bits in $BUCKx_DELAY$ register and
- The delay from falling edge of EN pin to the regulator disable is set by $BUCKx_SHUTDOWN_DELAY[3:0]$ bits in $BUCKx_DELAY$ register.

In the same way the LDO regulator is selected for delayed control with:

- LDOx_EN = 1 in LDOx_CTRL register
- LDOx_EN_PIN_CTRL = 1 in LDOx_CTRL register
- LDOx_VSET[4:0] bits in LDOx_VOUT register defines the voltage when EN pin is high
- The delay from rising edge of EN pin to the regulator enable is set by LDOx_STARTUP_DELAY[3:0] bits in LDOx_DELAY register and
- The delay from falling edge of EN pin to the regulator disable is set by LDOx_SHUTDOWN_DELAY[3:0] bits in LDOx_DELAY register.

The GPO (and GPO2) digital output signals can be also controlled as a part of start-up and shutdown sequencing with the following settings:

- GPOx_EN = 1 in GPO_CTRL register
- GPOx_EN_PIN_CTRL = 1 in GPO_CTRL register
- The delay from rising edge of EN pin to the rising edge of GPO/GPO2 signal is set by GPOx_STARTUP_DELAY[3:0] bits in GPOx_DELAY register and
- The delay from falling edge of EN pin to the falling edge of GPO/GPO2 signal is set by GPOx_SHUTDOWN_DELAY[3:0] bits in GPOx_DELAY register.

An example of the start-up and shutdown sequences for the buck regulators are shown in [Figure 16](#). The start-up and shutdown delays for the Buck0 regulator are 1 ms and 4 ms; for the Buck1 regulator start-up and shutdown delays are 3 ms and 1 ms. The delay settings are used only for enable/disable control with EN signal.

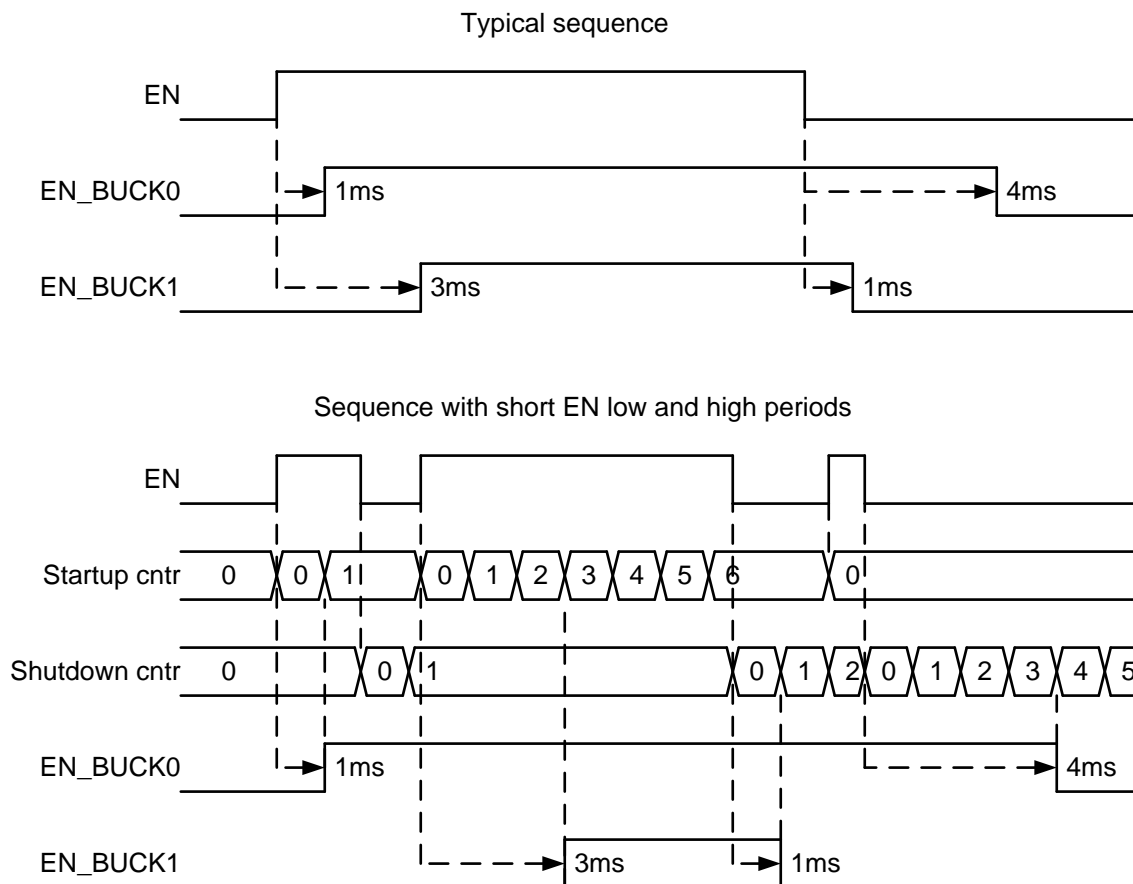


Figure 16. Start-Up and Shutdown Sequencing

7.3.7 Device Reset Scenarios

There are three reset methods implemented on the LP8733xx-Q1:

- Software reset with SW_RESET bit in RESET register
- Undervoltage lockout (UVLO) reset from VANA supply

An SW reset occurs when SW_RESET bit is written 1. The bit is automatically cleared after writing. This event disables all the regulators immediately, drives GPO and GPO2 signals low, resets all the register bits to the default values and OTP bits are loaded (see [Figure 22](#)). I²C interface is not reset during software reset.

If VANA supply voltage falls below the UVLO threshold level then all the regulators are disabled immediately, GPO and GPO2 signals are driven low, and all the register bits are reset to the default values. When the VANA supply voltage transition above UVLO threshold level an internal POR occurs. OTP bits are loaded to the registers and a startup is initiated according to the register settings.

7.3.8 Diagnosis and Protection Features

The LP8733xx-Q1 is capable of providing four levels of protection features:

- Information of valid regulator output voltage which sets interrupt or PGOOD signal;
- Warnings for diagnosis which sets interrupt;
- Protection events which are disabling the regulators; and
- Faults which are causing the device to shutdown.

The LP8733xx-Q1 sets the flag bits indicating what protection or warning conditions have occurred, and the nINT pin is pulled low. nINT is released again after a clear of flags is complete. The nINT signal stays low until all the pending interrupts are cleared.

When a fault is detected or software requested reset, it is indicated by a RESET_REG_INT interrupt flag in INT_TOP_2 register after next start-up. If the RESET_REG_MASK is set to masked in the OTP, the interrupt is not generated. The mask bit change with I²C does not affect, because the RESET_REG_MASK bit is loaded from OTP during reset sequence.

Table 4. Summary of Interrupt Signals

EVENT	OUTCOME	INTERRUPT BIT	INTERRUPT MASK BIT	STATUS BIT	RECOVERY/INTERRUPT CLEAR
Buck current limit triggered	No effect	BUCK_INT BUCKx_ILIM_INT	BUCKx_ILIM_MASK	BUCKx_ILIM_STAT	Write 1 to BUCKx_ILIM_INT bit Interrupt is not cleared if current limit is active
LDO current limit triggered	No effect	LDO_INT LDOx_ILIM_INT	LDOx_ILIM_MASK	LDOx_ILIM_STAT	Write 1 to LDOx_ILIM_INT bit Interrupt is not cleared if current limit is active
Buck short circuit ($V_{VOUT} < 0.35$ V at 1 ms after enable) or overload (V_{VOUT} decreasing below 0.35 V during operation, 1-ms debounce)	Regulator disable	BUCK_INT BUCKx_SC_INT	N/A	N/A	Write 1 to BUCKx_SC_INT bit
LDO short circuit ($V_{VOUT} < 0.3$ V at 1 ms after enable) or overload (V_{VOUT} decreasing below 0.3 V during operation, 1-ms debounce)	Regulator disable	LDO_INT LDOx_SC_INT	N/A	N/A	Write 1 to LDOx_SC_INT bit
Thermal warning	No effect	TDIE_WARN_INT	TDIE_WARN_MASK	TDIE_WARN_STAT	Write 1 to TDIE_WARN_INT bit Interrupt is not cleared if temperature is above thermal warning level
Thermal shutdown	All regulators disabled immediately and GPO and GPO2 are set to low	TDIE_SD_INT	N/A	TDIE_SD_STAT	Write 1 to TDIE_SD_INT bit Interrupt is not cleared if temperature is above thermal shutdown level
VANA overvoltage ($VANA_{OVP}$)	All regulators disabled immediately and GPO and GPO2 are set to low	OVP_INT	N/A	OVP_STAT	Write 1 to OVP_INT bit Interrupt is not cleared if VANA voltage is above $VANA_{OVP}$ level
Buck power good, output voltage becomes valid	No effect	BUCK_INT BUCKx_PG_INT	BUCKx_PGR_MASK	BUCKx_PG_STAT	Write 1 to BUCKx_PG_INT bit
Buck power good, output voltage becomes invalid	No effect	BUCK_INT BUCKx_PG_INT	BUCKx_PGF_MASK	BUCKx_PG_STAT	Write 1 to BUCKx_PG_INT bit
LDO Power Good, output voltage becomes valid	No effect	LDO_INT LDOx_PG_INT	LDOx_PGR_MASK	LDOx_PG_STAT	Write 1 to LDOx_PG_INT bit
LDO power good, output voltage becomes invalid	No effect	LDO_INT LDOx_PG_INT	LDOx_PGF_MASK	LDOx_PG_STAT	Write 1 to LDOx_PG_INT bit
PGOOD pin changing from active to inactive state ⁽¹⁾	No effect	PGOOD_INT	PGOOD_MASK	PGOOD_STAT	Write 1 to PGOOD_INT bit
External clock appears or disappears	No effect to regulators	SYNC_CLK_INT ⁽²⁾	SYNC_CLK_MASK	SYNC_CLK_STAT	Write 1 to SYNC_CLK_INT bit
Load current measurement ready	No effect	I_MEAS_INT	I_MEAS_MASK	N/A	Write 1 to I_MEAS_INT bit
Supply voltage $VANA_{UVLO}$ triggered (VANA falling)	Immediate shutdown, registers reset to default values	N/A	N/A	N/A	N/A
Supply voltage $VANA_{UVLO}$ triggered (VANA rising)	Startup, registers reset to default values and OTP bits loaded	RESET_REG_INT	RESET_REG_MASK	N/A	Write 1 to RESET_REG_INT bit
Software requested reset	Immediate shutdown followed by power up, registers reset to default values	RESET_REG_INT	RESET_REG_MASK	N/A	Write 1 to RESET_REG_INT bit

(1) PGOOD_STAT bit is 1 when the PGOOD pin shows valid voltages. PGOOD_POL bit in PGOOD_CTRL_1 register affects only PGOOD pin polarity, not Power Good and PGOOD_INT interrupt polarity.

(2) Interrupt is generated during clock-detector operation and if clock is not available when clock detector is enabled.

7.3.8.1 Power-Good Information (PGOOD pin)

In addition to the interrupt-based indication of the current limit and the Power-Good level the LP8733xx-Q1 device supports monitoring with PGOOD signal:

- Regulator output voltage,
- Input supply overvoltage,
- Thermal warning and
- Thermal shutdown.

Regulator output voltage monitoring (not current limit monitoring) can be selected for PGOOD indication. This selection is individual for both buck regulators (only master buck in dual-phase configuration) and both LDO regulators and is set by EN_PGOOD_BUCKx bits in PGOOD_CTRL_1 register and EN_PGOOD_LDOx bits in PGOOD_CTRL_1 register. When a regulator is disabled, the monitoring is automatically masked to prevent it forcing PGOOD inactive. A thermal warning can be also selected for PGOOD indication with EN_PGOOD_TWARN bit in PGOOD_CTRL_2 register. The monitoring from all the output rails, thermal warning (TDIE_WARN_STAT), input overvoltage interrupt (OVP_INT), and thermal shutdown interrupt (TDIE_SD_INT) are combined, and PGOOD pin is active only if all the selected sources shows a valid status.

The type of output voltage monitoring for PGOOD signal is selected by PGOOD_WINDOW_x bits in PGOOD_CTRL_1 register. If the bit is 0, only undervoltage is monitored; if the bit is 1, both undervoltage and overvoltage are monitored.

The polarity and the output type (push-pull or open-drain) are selected by the PGOOD_POL and PGOOD_OD bits in the PGOOD_CTRL_1 register.

PGOOD is only *active* or *asserted* when all enabled power resource output voltages are within specified tolerance for each requested/programmed output voltage.

PGOOD is *inactive* or *de-asserted* if any enabled power resource output voltages is outside specified tolerance for each requested/programmed output voltage.

The device OTP setting selects either gated (that is, *unusual*) or continuous (that is, *invalid*) mode of operation.

7.3.8.1.1 PGOOD Pin Gated mode

The gated (or *unusual*) mode of operation is selected by setting PGOOD_MODE bit to 0 in PGOOD_CTRL_2 register.

For the gated mode of operation, PGOOD behaves as follows:

- PGOOD is set to *active* or *asserted* state upon exiting OTP configuration as an initial default state.
- PGOOD status is suspended or unchanged during an 800- μ s gated time period, thereby *gating-off* the status indication.
- During normal power-up sequencing and requested voltage changes, PGOOD state is not changed during an 800- μ s gated time period. It typically remains *active* or *asserted* for normal conditions.
- During an *abnormal* power-up sequencing and requested voltage changes, PGOOD status could change to *inactive* or *de-asserted* after an 800- μ s gated time period if any output voltage is outside of regulation range.
- Using the *gated mode of operation* could allow the PGOOD signal to initiate an immediate power shutdown sequence if the PGOOD signal is wired-OR with signal connected to EN input. This type of circuit configuration provides a smart PORz function for processor that eliminates the need for additional components to generate PORz upon start-up and to monitor voltage levels of key voltage domains.

The fault sets corresponding fault bit 1 in PG_FAULT register. The detected fault must be cleared to continue the PGOOD monitoring. The overvoltage and thermal shutdown are cleared by writing 1 to the OVP_INT and TDIE_SD_INT interrupt bits in INT_TOP_1 register. The regulator fault is cleared by writing 1 to the corresponding register bit in PG_FAULT register. The interrupts can be also cleared with VANA UVLO by toggling the input supply. An example of PGOOD pin operation in gated mode is shown in [Figure 17](#).

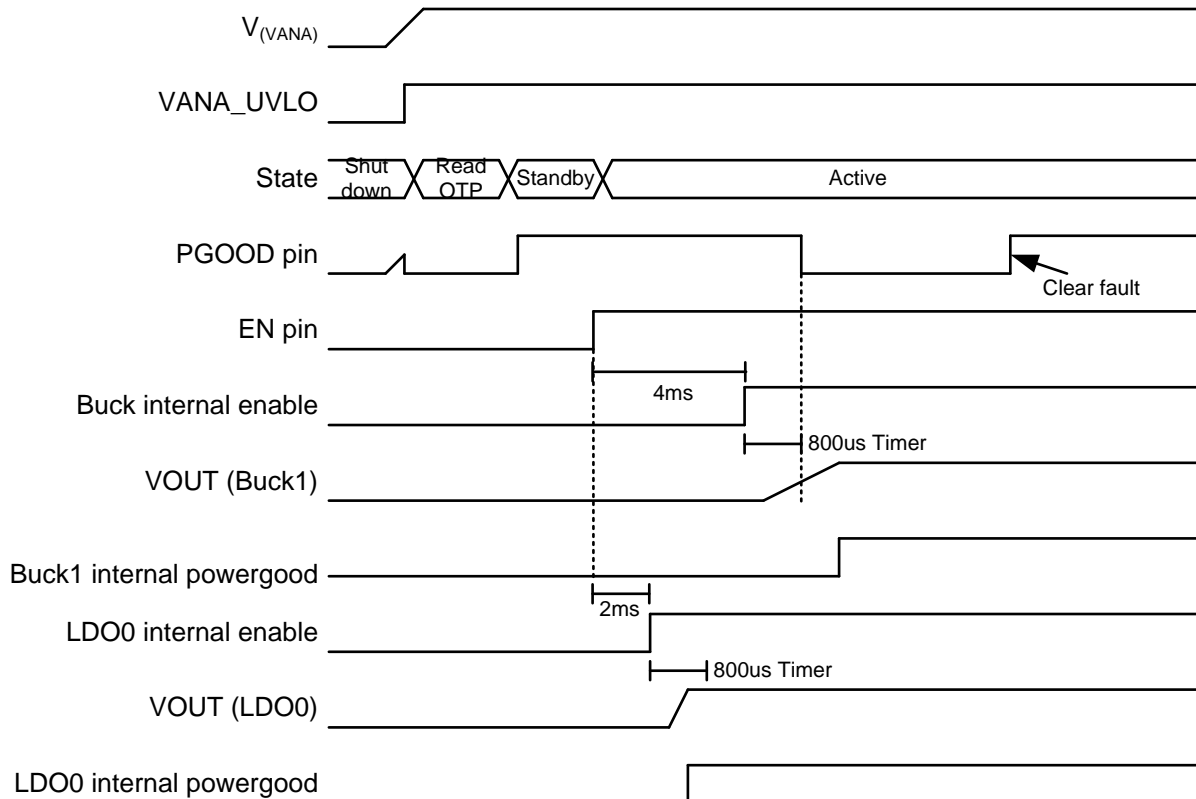


Figure 17. PGOOD Pin Operation in Gated Mode

7.3.8.1.2 PGOOD Pin Continuous Mode

The continuous (or *invalid*) mode of operation is selected by setting PGOOD_MODE bit to 1 in PGOOD_CTRL_2 register.

For the continuous mode of operation, PGOOD behaves as follows:

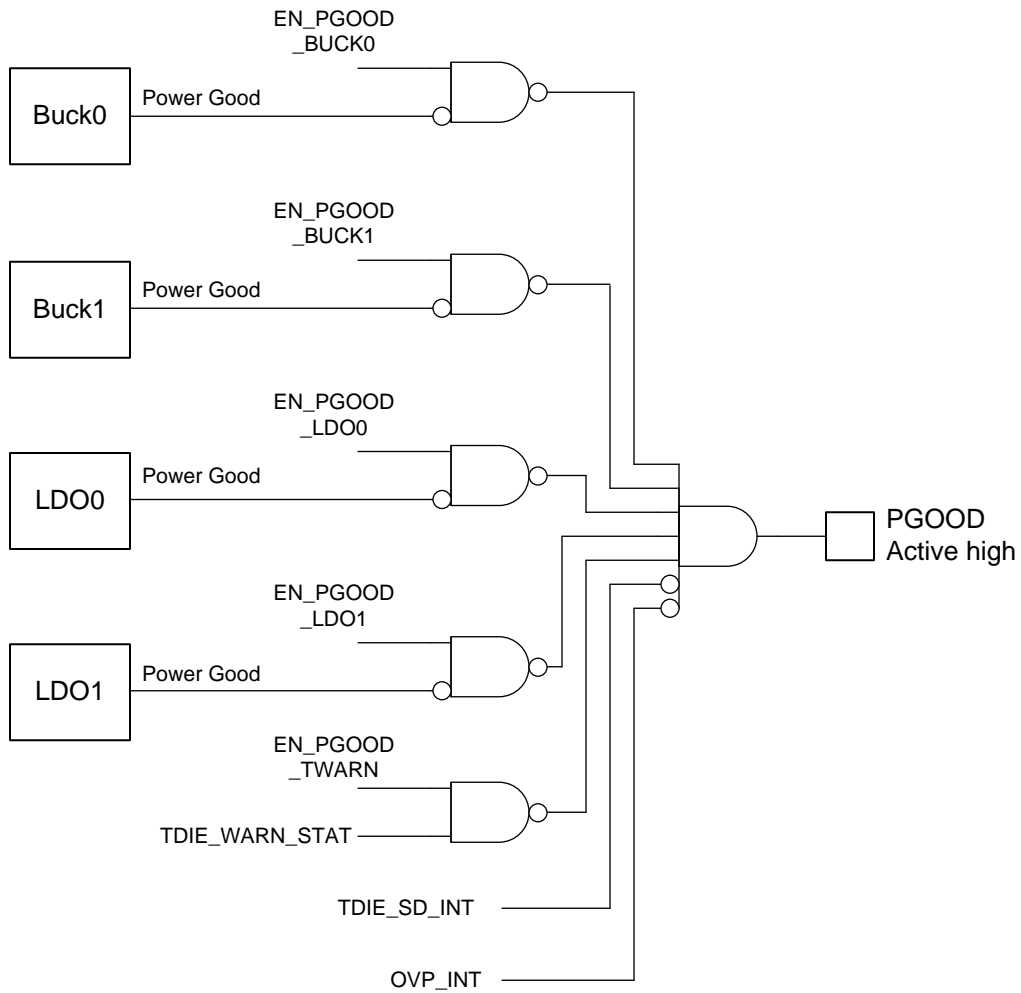
- PGOOD is set to *active* or *asserted* state upon exiting OTP configuration.
- PGOOD is set to *inactive* or *de-asserted* as soon as regulator is enabled.
- PGOOD status begins indicating output voltage regulation status immediately and continuously.
- During power-up sequencing and requested voltage changes, PGOOD will toggle between *inactive* or *de-asserted* while output voltages are outside of regulation ranges and *active* or *asserted* when inside of regulation ranges.

The PG_FAULT register bits are latched and maintain the fault information until host clears the fault bit by writing 1 to the bit. The PGOOD signal indicates also a thermal shutdown and input overvoltage interrupts, which are cleared by clearing the interrupt bits.

When regulator voltage is transitioning from one target voltage to another, the PGOOD signal is set inactive.

When the PGOOD signal becomes inactive, the source for the fault can be read from PG_FAULT register. If the invalid output voltage becomes valid again the PGOOD signal becomes active. Thus the PGOOD signal shows all the time if the monitored output voltages are valid. The block diagram for this operation is shown in Figure 18 and an example of operation is shown in Figure 19.

The PGOOD signal can be also configured so that it maintains inactive state even when the monitored outputs are valid but there are PG_FAULT_x bits in PG_FAULT register pending clearance. This type of operation is selected by setting PGFAULT_GATES_PGOOD bit to 1 in PGOOD_CTRL_2 register.



Copyright © 2016, Texas Instruments Incorporated

Figure 18. PGOOD Block Diagram (Continuous Mode)

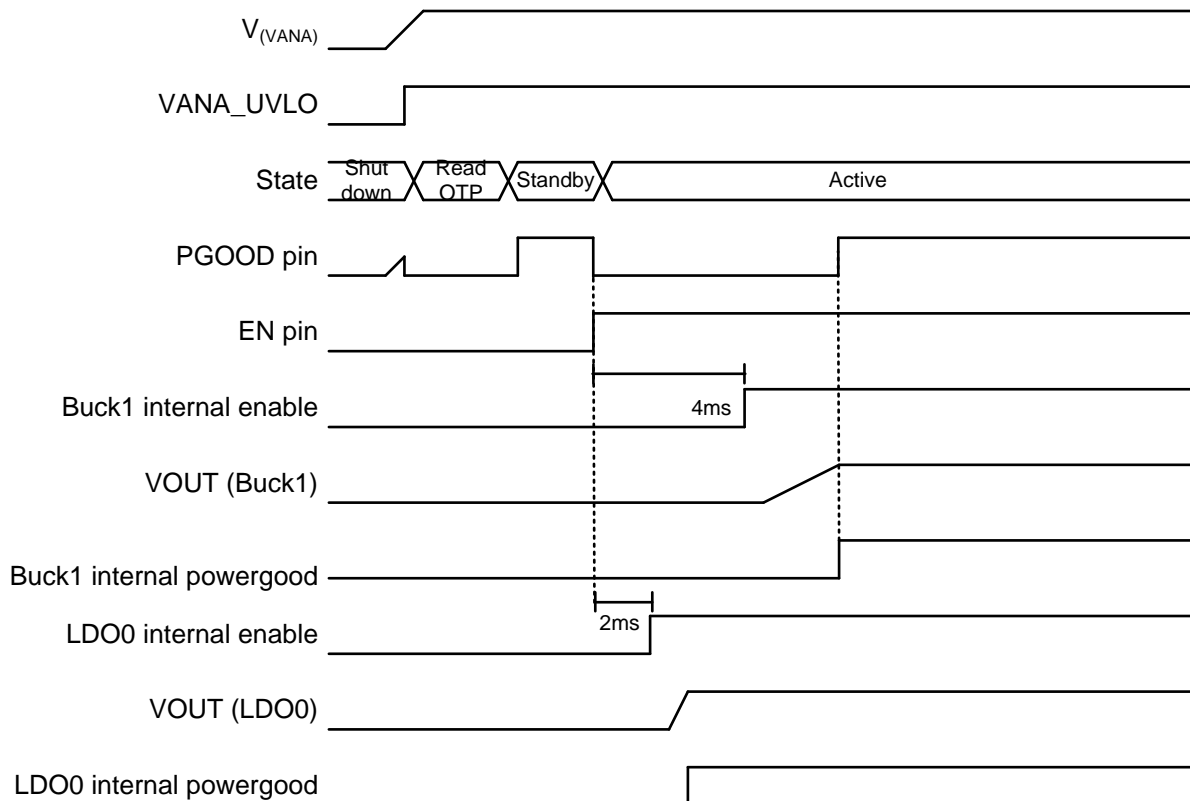


Figure 19. PGOOD Pin Operation in Continuous Mode

7.3.8.2 Warnings for Diagnosis (Interrupt)

7.3.8.2.1 Output Power Limit

The Buck regulators have programmable output peak current limits. The limits are individually programmed for both regulators with BUCKx_ILIM[2:0] bits in BUCKx_CTRL_2 register. The current limit settings of master and slave regulators used for the same output voltage rail must be identical. If the load current is increased so that the current limit is triggered, the regulator continues to regulate to the limit current level (peak current regulation). The voltage may decrease if the load current is higher than limit current. If the current regulation continues for 20 μ s, the LP8733xx-Q1 device sets the BUCKx_ILIM_INT bit in INT_BUCK register and pulls the nINT pin low. The host processor can read BUCKx_ILIM_STAT bits in BUCK_STAT register to see if the regulator is still in peak current regulation mode and the interrupt is cleared by writing 1 to BUCKx_ILIM_INT bit. The current limit interrupt can be masked by setting BUCKx_ILIM_MASK bit in BUCK_MASK register to 1. The Buck overload situation is shown in [Figure 20](#).

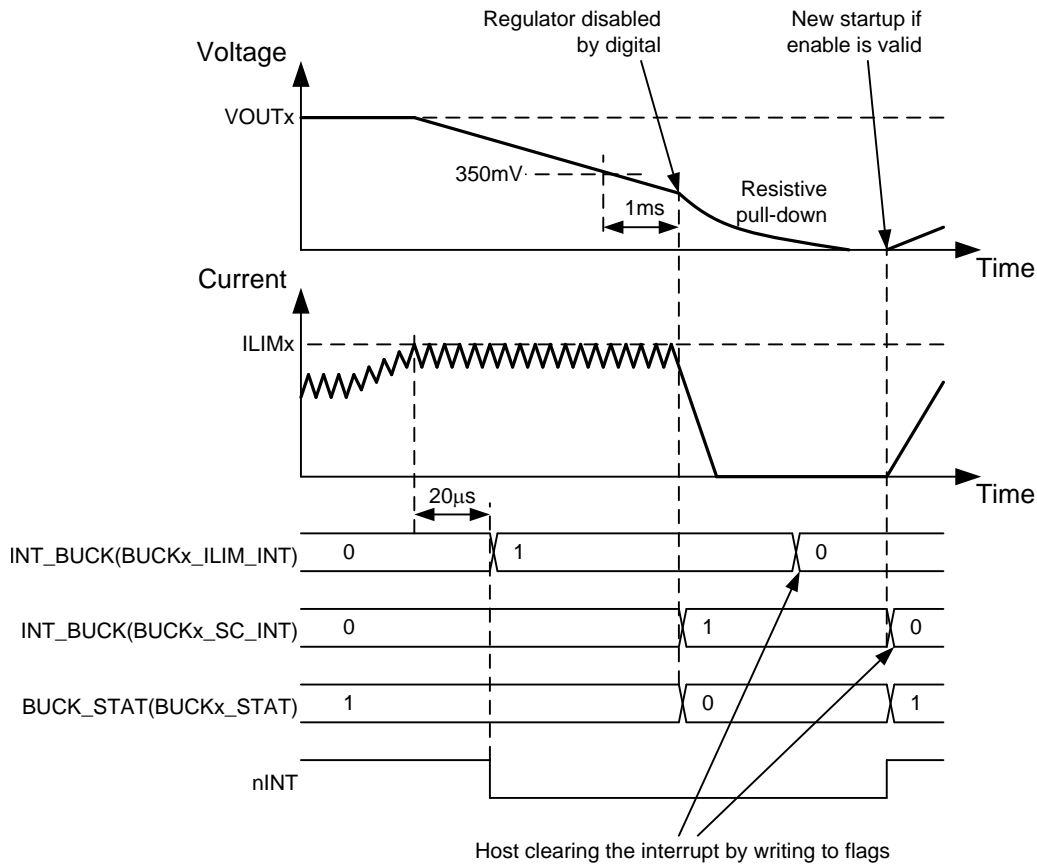


Figure 20. Buck Regulator Overload Situation

The LDO regulators include also current limit circuitry. If the load current is increased so that the current limit is triggered, the regulator limits the output current to the threshold level. The voltage may decrease if the load current is higher than the current limit. If the current regulation continues for 20 µs, the LP8733xx-Q1 device sets the $LDOx_ILIM_INT$ bit in INT_LDO register and pulls the nINT pin low. The host processor can read $LDOx_ILIM_STAT$ bits in LDO_STAT register to see if the regulator is still in current regulation mode and the interrupt is cleared by writing 1 to $LDOx_ILIM_INT$ bit. The current limit interrupt can be masked by setting $LDOx_ILIM_MASK$ bit in LDO_MASK register to 1. The LDO overload situation is shown in [Figure 21](#).

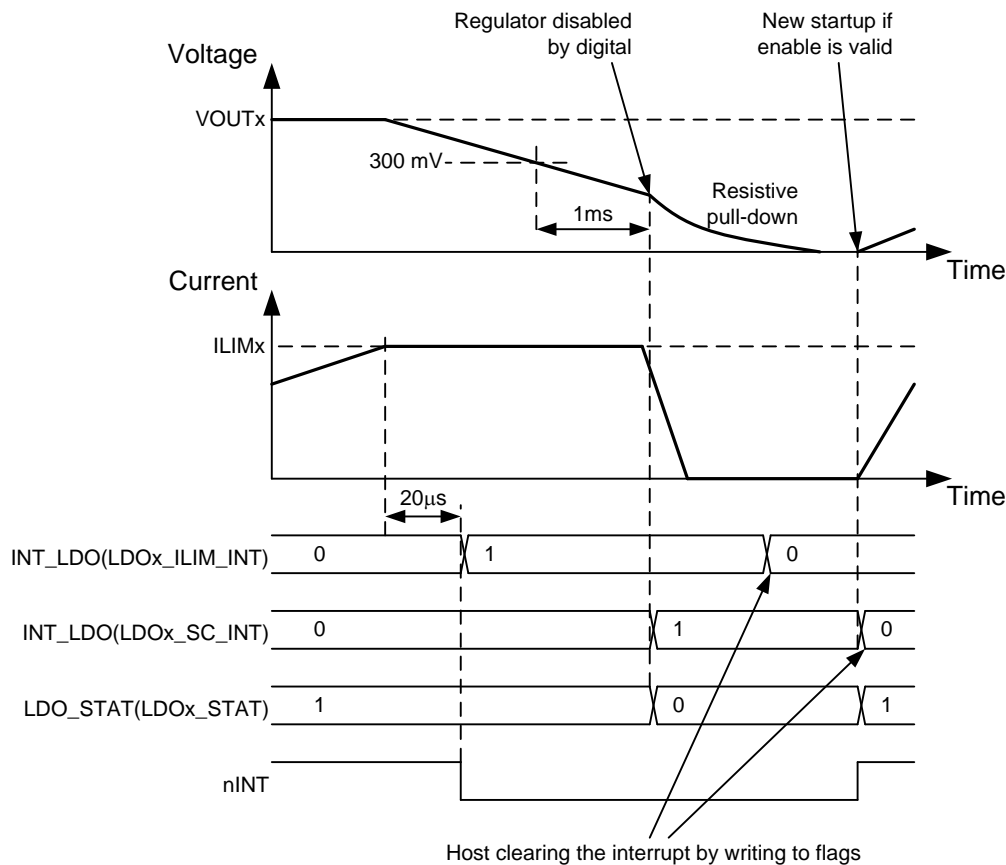


Figure 21. LDO Regulator Overload Situation

7.3.8.2.2 Thermal Warning

The LP8733xx-Q1 device includes a protection feature against overtemperature by setting an interrupt for host processor. The threshold level of the thermal warning is selected with TDIE_WARN_LEVEL bit in CONFIG register.

If the LP8733xx-Q1 device temperature increases above thermal warning level the device sets TDIE_WARN_INT bit in INT_TOP_1 register and pulls the nINT pin low. The status of the thermal warning can be read from TDIE_WARN_STAT bit in TOP_STAT register, and the interrupt is cleared by writing 1 to TDIE_WARN_INT bit. The thermal warning interrupt can be masked by setting TDIE_WARN_MASK bit in TOP_MASK_1 register to 1.

7.3.8.3 Protection (Regulator Disable)

If the regulator is disabled because of protection or fault (short-circuit protection, overload protection, thermal shutdown, input overvoltage protection, or UVLO), the output power FETs are set to high-impedance mode, and the output pulldown resistor is enabled (if enabled with BUCKx_RDIS_EN bit in BUCKx_CTRL_1 register and LDOx_RDIS_EN bit in LDOx_CTRL register). The turnoff time of the output voltage is defined by the output capacitance, load current, and the resistance of the integrated pull-down resistor. The pulldown resistors are active as long as VANA voltage is above approximately a 1.2-V level.

7.3.8.3.1 Short-Circuit and Overload Protection

A short-circuit protection feature allows the LP8733xx-Q1 to protect itself and external components against short circuit at the output or against overload during start-up. For buck and LDO regulators the fault thresholds are about 350 mV (buck) and 300 mV (LDO), and the protection is triggered and the regulator is disabled if the output voltage is below the threshold level 1 ms after the regulator is enabled.

In a similar way the overload situation is protected during normal operation. If the output voltage falls below 0.35 V and 0.3 V and remains below the threshold level for 1 ms the regulator is disabled.

In buck regulator short-circuit and overload situations the BUCKx_SC_INT bit in INT_BUCK register and the INT_BUCKx bit in INT_TOP_1 register are set to 1, the BUCKx_STAT bit in BUCK_STAT register is set to 0, and the nINT signal is pulled low. In LDO regulator short-circuit and overload situations the LDOx_SC_INT bit in INT_LDO register and the INT_LDOx bit in INT_TOP_1 register are set to 1, the LDOx_STAT bit in LDO_STAT register is set to 0, and the nINT signal is pulled low. The host processor clears the interrupt by writing 1 to the BUCKx_SC_INT or to the LDOx_SC_INT bit. Upon clearing the interrupt the regulator makes a new start-up attempt if the regulator is in an enabled state.

7.3.8.3.2 Overvoltage Protection

The LP8733xx-Q1 device monitors the input voltage from the VANA pin in standby and active operation modes. If the input voltage rises above $VANA_{OVP}$ voltage level, all the regulators are disabled immediately (without switching ramp, no shutdown delays), pulldown resistors discharge the output voltages if they are enabled (BUCKx_RDIS_EN = 1 in BUCKx_CTRL_1 register and LDOx_RDIS_EN = 1 in LDOx_CTRL register), GPOs are set to logic low level, nINT signal is pulled low, OVP_INT bit in INT_TOP_1 register is set to 1, and BUCKx_STAT bit in BUCK_STAT register and LDOx_STAT bit in LDO_STAT register are set to 0. The host processor clears the interrupt by writing 1 to the OVP_INT bit. If the input voltage is above overvoltage detection level the interrupt is not cleared. The host can read the status of the overvoltage from the OVP_STAT bit in TOP_STAT register. Regulators cannot be enabled as long as the input voltage is above overvoltage detection level or the overvoltage interrupt is pending.

7.3.8.3.3 Thermal Shutdown

The LP8733xx-Q1 has an overtemperature protection function that operates to protect itself from short-term misuse and overload conditions. When the junction temperature exceeds around 150°C, the regulators are disabled immediately (without switching ramp, no shutdown delays), the TDIE_SD_INT bit in INT_TOP_1 register is set to 1, the nINT signal is pulled low, and the device enters STANDBY. nINT is cleared by writing 1 to the TDIE_SD_INT bit. If the temperature is above thermal shutdown level the interrupt is not cleared. The host can read the status of the thermal shutdown from the TDIE_SD_STAT bit in TOP_STAT register. Regulators cannot be enabled as long as the junction temperature is above thermal shutdown level or the thermal shutdown interrupt is pending.

7.3.8.4 Fault (Power Down)

7.3.8.4.1 Undervoltage Lockout

When the input voltage falls below $VANA_{UVLO}$ at the VANA pin, the buck and LDO regulators are disabled immediately (without switching ramp, no shutdown delays), and the output capacitor is discharged using the pulldown resistor, and the LP8733xx-Q1 device enters SHUTDOWN. When $V_{(VANA)}$ voltage is above $VANA_{UVLO}$ threshold level, the device powers up to STANDBY state.

If the reset interrupt is unmasked by default (OTP bit for RESET_REG_MASK is 0 in TOP_MASK_2 register) the RESET_REG_INT interrupt bit in INT_TOP_2 register indicates that the device has been in SHUTDOWN. The host processor must clear the interrupt by writing 1 to the RESET_REG_INT bit. If the host processor reads the RESET_REG_INT interrupt bit after detecting an nINT low signal, it knows that the input supply voltage has been below $VANA_{UVLO}$ level (or the host has requested reset with SW_RESET bit in RESET register), and the registers are reset to default values.

7.3.9 Operation of the GPO Signals

The LP8733xx-Q1 device supports up to 2 general purpose output signals, GPO and GPO2. The GPO2 signal is multiplexed with CLKIN signal. The selection between CLKIN and GPO2 pin function is set with CLKIN_PIN_SEL bit in CONFIG register.

The GPO pins are configured with the following bits:

- GPOx_OD bit in GPO_CTRL register defines the type of the output, either push-pull with $V_{(VANA)}$ level or open drain

The logic level of the GPOx pin is set by EN_GPOx bit in GPO_CTRL register.

The control of the GPOs can be included to start-up and shutdown sequences. The GPO control for a sequence with EN pin is selected by GPOx_EN_PIN_CTRL bit in GPO_CTRL register. For start-up and shutdown sequence control see [Enable and Disable Sequences](#).

7.3.10 Digital Signal Filtering

The digital signals have a debounce filtering. The signal or supply is sampled with a clock signal and a counter. This results as an accuracy of one clock period for the debounce window.

Table 5. Digital Signal Filtering

EVENT	SIGNAL/SUPPLY	RISING EDGE LENGTH	FALLING EDGE LENGTH
Enable/disable for BUCKx, LDOx or GPOx	EN	3 μ s ⁽¹⁾	3 μ s ⁽¹⁾
VANA UVLO	VANA	3 μ s ⁽¹⁾ (VANA voltage rising)	Immediate (VANA voltage falling)
VANA overvoltage	VANA	1 μ s (VANA voltage rising)	20 μ s (VANA voltage falling)
Thermal warning	TDIE_WARN_INT	20 μ s	20 μ s
Thermal shutdown	TDIE_SD_INT	20 μ s	20 μ s
Current limit	VOUTx_ILIM	20 μ s	20 μ s
Overload	FB_B0, FB_B1, VOUT_LDO0, VOUT_LDO1	1 ms	N/V
PGOOD pin and power-good interrupt	PGOOD / FB_B0, FB_B1, VOUT_LDO0, VOUT_LDO1	6 μ s	6 μ s

(1) No glitch filtering, only synchronization.

7.4 Device Functional Modes

7.4.1 Modes of Operation

SHUTDOWN: The $V_{(VANA)}$ voltage is below $VANA_{UVLO}$ threshold level. All switch, reference, control, and bias circuitry of the LP8733xx-Q1 device are turned off.

READ OTP: The main supply voltage $V_{(VANA)}$ is above $VANA_{UVLO}$ level. The regulators are disabled, and the reference and bias circuitry of the LP8733xx-Q1 are enabled. The OTP bits are loaded to registers.

STANDBY: The main supply voltage $V_{(VANA)}$ is above $VANA_{UVLO}$ level. The regulators are disabled, and the reference, control and bias circuitry of the LP8733xx-Q1 are enabled. All registers can be read or written by the host processor via the system serial interface. The regulators can be enabled if needed.

ACTIVE: The main supply voltage $V_{(VANA)}$ is above $VANA_{UVLO}$ level. At least one regulator is enabled. All registers can be read or written by the host processor via the system serial interface.

The operating modes and transitions between the modes are shown in [Figure 22](#).

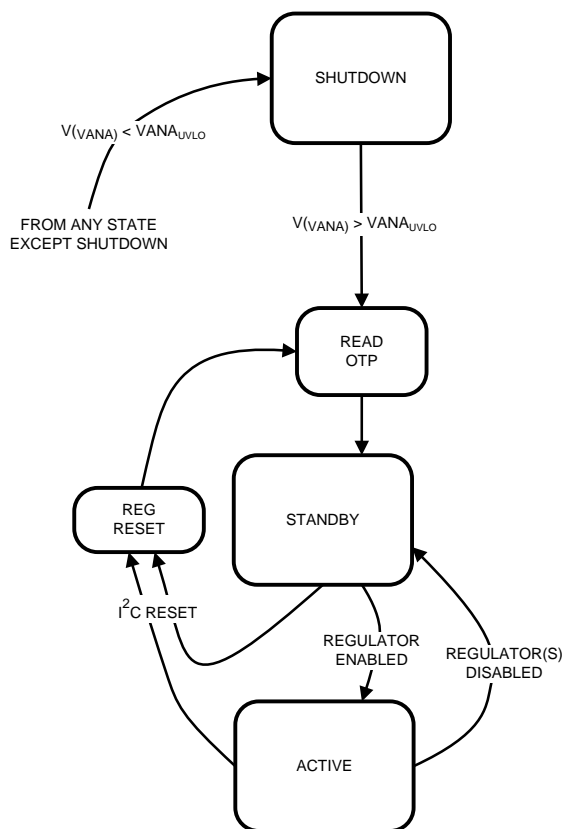


Figure 22. Device Operation Modes

7.5 Programming

7.5.1 I²C-Compatible Interface

The I²C-compatible synchronous serial interface provides access to the programmable functions and registers on the device. This protocol uses a two-wire interface for bidirectional communications between the IC's connected to the bus. The two interface lines are the serial data line (SDA), and the serial clock line (SCL). Every device on the bus is assigned a unique address and acts as either a master or a slave depending on whether it generates or receives the serial clock SCL. The SCL and SDA lines must each have a pullup resistor placed on the line and remain HIGH even when the bus is idle. The LP8733xx-Q1 supports standard mode (100 kHz), fast mode (400 kHz), fast mode plus (1 MHz), and high-speed mode (3.4 MHz).

7.5.1.1 Data Validity

The data on the SDA line must be stable during the HIGH period of the clock signal (SCL). In other words, the state of the data line can only be changed when clock signal is LOW.

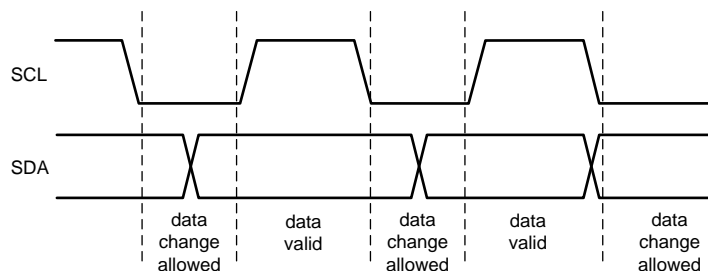


Figure 23. Data Validity Diagram

7.5.1.2 Start and Stop Conditions

The LP8733xx-Q1 is controlled via an I²C-compatible interface. START and STOP conditions classify the beginning and end of the I²C session. A START condition is defined as SDA transitions from HIGH to LOW while SCL is HIGH. A STOP condition is defined as SDA transition from LOW to HIGH while SCL is HIGH. The I²C master always generates the START and STOP conditions.

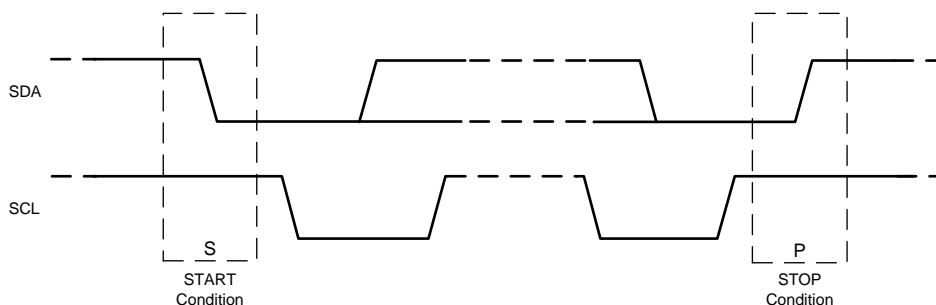


Figure 24. Start and Stop Sequences

The I²C bus is considered busy after a START condition and free after a STOP condition. During data transmission the I²C master can generate repeated START conditions. A START and a repeated START condition are equivalent function-wise. The data on SDA must be stable during the HIGH period of the clock signal (SCL). In other words, the state of SDA can only be changed when SCL is LOW. [Figure 25](#) shows the SDA and SCL signal timing for the I²C-compatible bus. See the [Figure 1](#) for timing values.

Programming (continued)

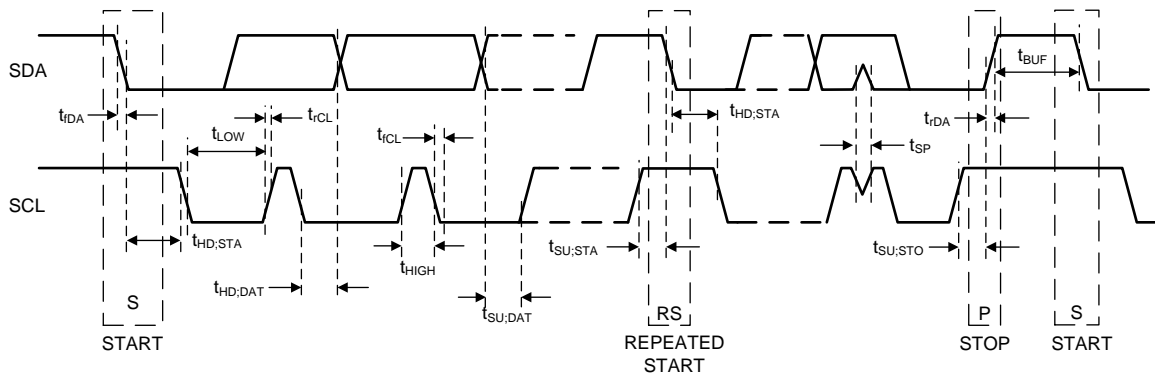


Figure 25. I²C-Compatible Timing

7.5.1.3 Transferring Data

Every byte put on the SDA line must be eight bits long, with the most significant bit (MSB) being transferred first. Each byte of data has to be followed by an acknowledge bit. The acknowledge related clock pulse is generated by the master. The master releases the SDA line (HIGH) during the acknowledge clock pulse. The LP8733xx-Q1 pulls down the SDA line during the 9th clock pulse, signifying an acknowledge. The LP8733xx-Q1 generates an acknowledge after each byte has been received.

There is one exception to the *acknowledge after every byte* rule. When the master is the receiver, it must indicate to the transmitter an end of data by not-acknowledging (*negative acknowledge*) the last byte clocked out of the slave. This *negative acknowledge* still includes the acknowledge clock pulse (generated by the master), but the SDA line is not pulled down.

NOTE

If the $V_{(VANA)}$ voltage is below $VANA_{UVLO}$ threshold level during I²C communication the LP8733xx-Q1 device does not drive SDA line. The ACK signal and data transfer to the master is disabled at that time.

After the START condition, the bus master sends a chip address. This address is seven bits long followed by an eighth bit which is a data direction bit (READ or WRITE). For the eighth bit, a 0 indicates a WRITE, and a 1 indicates a READ. The second byte selects the register to which the data will be written. The third byte contains data to write to the selected register.

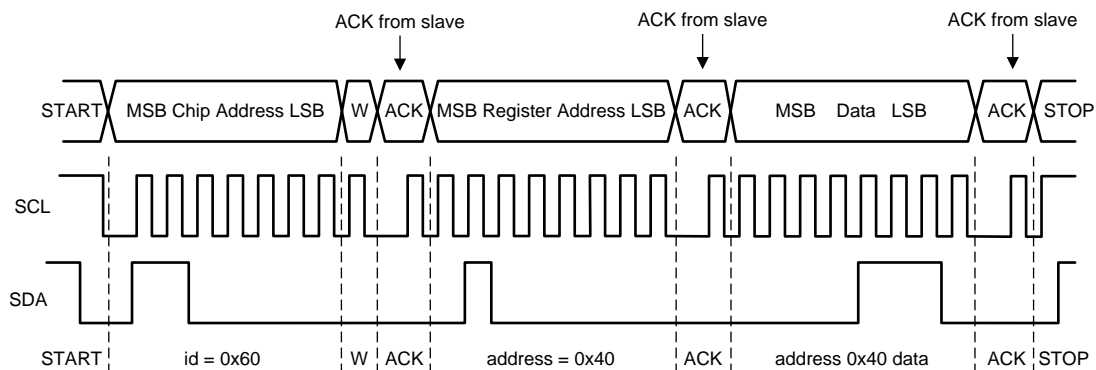
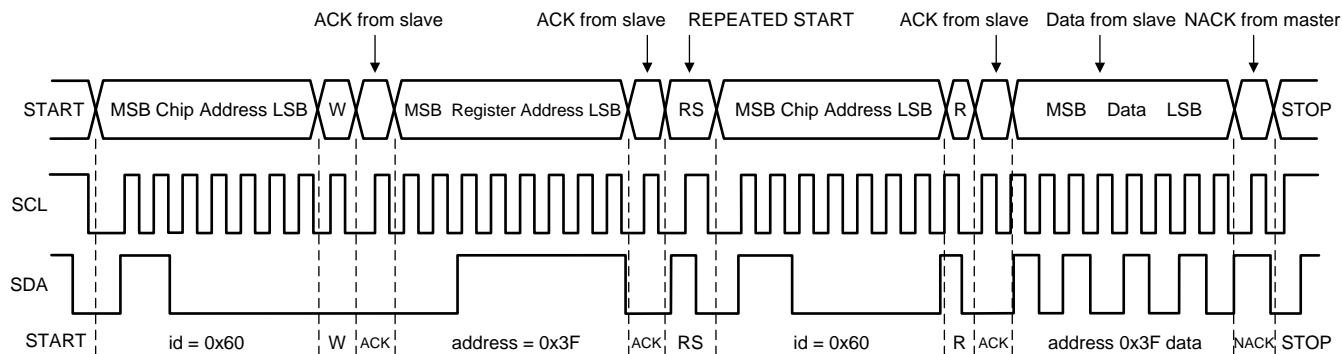


Figure 26. Write Cycle (w = write; SDA = 0). Example Device Address = 0x60

Programming (continued)

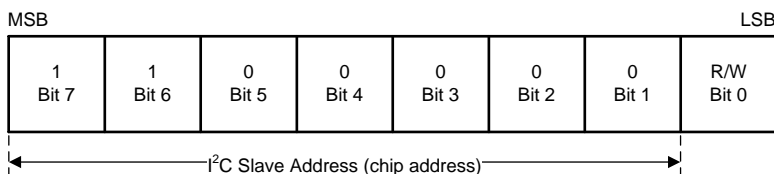


When READ function is to be accomplished, a WRITE function must precede the READ function as shown above.

Figure 27. Read Cycle (r = read; SDA = 1). Example Device Address = 0x60

7.5.1.4 I²C-Compatible Chip Address

After the START condition, the I²C master sends the 7-bit address followed by an eighth bit, read or write (R/W). R/W = 0 indicates a WRITE and R/W = 1 indicates a READ. The second byte following the device address selects the register address to which the data is written. The third byte contains the data for the selected register.



Here in an example with device address of 1100000Bin = 60Hex.

Figure 28. Device Address Example

7.5.1.5 Auto-Increment Feature

The auto-increment feature allows writing several consecutive registers within one transmission. Every time an 8-bit word is sent to the LP8733xx-Q1, the internal address index counter is incremented by one and the next register is written. Table 6 shows writing sequence to two consecutive registers. Note that auto-increment feature does not work for read.

Table 6. Auto-Increment Example

MASTER ACTION	START	DEVICE ADDRESS S = X	WRITE		REGISTER ADDRESS		DATA		DATA		STOP
LP8733x-Q1				ACK		ACK		ACK		ACK	

7.6 Register Maps

7.6.1 Register Descriptions

The LP8733xx-Q1 is controlled by a set of registers through the I²C-compatible interface. The device registers, their addresses and their abbreviations are listed in [Table 7](#). A more detailed description is given in the [DEV_REV](#) to [I_LOAD_1](#) sections.

NOTE

This register map describes the default values for bits that are not read from OTP memory. The orderable code and the default register bit values are defined in part-number specific Technical Reference Manuals.

Table 7. Summary of LP8733xx-Q1 Control Registers

Addr	Register	Read / Write	D7	D6	D5	D4	D3	D2	D1	D0	
0x00	DEV_REV	R	DEVICE_ID[1:0]		Reserved						
0x01	OTP_REV	R	OTP_ID[7:0]								
0x02	BUCK0_CTRL_1	R/W	Reserved			BUCK0_FP_WM_MP	BUCK0_FP_WM	BUCK0_RDIS_EN	BUCK0_EN_PIN_CTL	BUCK0_EN	
0x03	BUCK0_CTRL_2	R/W	Reserved		BUCK0_ILIM[2:0]			BUCK0_SLEW_RATE[2:0]			
0x04	BUCK1_CTRL_1	R/W	Reserved			BUCK1_FP_WM	BUCK1_RDIS_EN	BUCK1_EN_PIN_CTL	BUCK1_EN		
0x05	BUCK1_CTRL_2	R/W	Reserved		BUCK1_ILIM[2:0]			BUCK1_SLEW_RATE[2:0]			
0x06	BUCK0_VOUT	R/W	BUCK0_VSET[7:0]								
0x07	BUCK1_VOUT	R/W	BUCK1_VSET[7:0]								
0x08	LDO0_CTRL	R/W	Reserved					LDO0_RDIS_EN	LDO0_EN_PIN_CTL	LDO0_EN	
0x09	LDO1_CTRL	R/W	Reserved					LDO1_RDIS_EN	LDO1_EN_PIN_CTL	LDO1_EN	
0x0A	LDO0_VOUT	R/W	Reserved			LDO0_VSET[4:0]					
0x0B	LDO1_VOUT	R/W	Reserved			LDO1_VSET[4:0]					
0x0C	BUCK0_DELAY	R/W	BUCK0_SHUTDOWN_DELAY[3:0]				BUCK0_STARTUP_DELAY[3:0]				
0x0D	BUCK1_DELAY	R/W	BUCK1_SHUTDOWN_DELAY[3:0]				BUCK1_STARTUP_DELAY[3:0]				
0x0E	LDO0_DELAY	R/W	LDO0_SHUTDOWN_DELAY[3:0]				LDO0_STARTUP_DELAY[3:0]				
0x0F	LDO1_DELAY	R/W	LDO1_SHUTDOWN_DELAY[3:0]				LDO1_STARTUP_DELAY[3:0]				
0x10	GPO_DELAY	R/W	GPO_SHUTDOWN_DELAY[3:0]				GPO_STARTUP_DELAY[3:0]				
0x11	GPO2_DELAY	R/W	GPO2_SHUTDOWN_DELAY[3:0]				GPO2_STARTUP_DELAY[3:0]				
0x12	GPO_CTRL	R/W	Reserved	GPO2_OD	GPO2_EN_PIN_CTL	GPO2_EN	Reserved	GPO_OD	GPO_EN_PIN_CTL	GPO_EN	
0x13	CONFIG	R/W	Reserved	STARTUP_DELAY_SEL	SHUTDOWN_DELAY_SEL	CLKIN_PIN_SEL	CLKIN_PD	EN_PD	TDIE_WARN_LEVEL	EN_SPREAD_SPEC	
0x14	PLL_CTRL	R/W	Reserved	EN_PLL	Reserved	EXT_CLK_FREQ[4:0]					

Register Maps (continued)
Table 7. Summary of LP8733xx-Q1 Control Registers (continued)

Addr	Register	Read / Write	D7	D6	D5	D4	D3	D2	D1	D0
0x15	PGOOD_CTL_1	R/W	PGOOD_POL	PGOOD_OD	PGOOD_WINDOW_LDO	PGOOD_WINDOW_BUCK	EN_PGOOD_LDO1	EN_PGOOD_LDO0	EN_PGOOD_BUCK1	EN_PGOOD_BUCK0
0x16	PGOOD_CTL_2	R/W	Reserved					EN_PGOOD_TWARN	PG_FAULT_GATES_GOOD	PGOOD_MODE
0x17	PG_FAULT	R	Reserved				PG_FAULT_LDO1	PG_FAULT_LDO0	PG_FAULT_BUCK1	PG_FAULT_BUCK0
0x18	RESET	R/W	Reserved							SW_RESET
0x19	INT_TOP_1	R/W	PGOOD_INT	INT_LDO	INT_BUCK	SYNC_CLK_INT	TDIE_SD_INT	TDIE_WARN_INT	OVP_INT	I_MEAS_INT
0x1A	INT_TOP_2	R/W	Reserved							RESET_REG_INT
0x1B	INT_BUCK	R/W	Reserved	BUCK1_PG_INT	BUCK1_SC_INT	BUCK1_ILIM_INT	Reserved	BUCK0_PG_INT	BUCK0_SC_INT	BUCK0_ILIM_INT
0x1C	INT_LDO	R/W	Reserved	LDO1_PG_INT	LDO1_SC_INT	LDO1_ILIM_INT	Reserved	LDO0_PG_INT	LDO0_SC_INT	LDO0_ILIM_INT
0x1D	TOP_STAT	R	PGOOD_STAT	Reserved		SYNC_CLK_STAT	TDIE_SD_STAT	TDIE_WARN_STAT	OVP_STAT	Reserved
0x1E	BUCK_STAT	R	BUCK1_STAT	BUCK1_PG_STAT	Reserved	BUCK1_ILIM_STAT	BUCK0_STAT	BUCK0_PG_STAT	Reserved	BUCK0_ILIM_STAT
0x1F	LDO_STAT	R	LDO1_STAT	LDO1_PG_STAT	Reserved	LDO1_ILIM_STAT	LDO0_STAT	LDO0_PG_STAT	Reserved	LDO0_ILIM_STAT
0x20	TOP_MASK_1	R/W	PGOOD_INT_MASK	Reserved		SYNC_CLK_MASK	Reserved	TDIE_WARN_MASK	Reserved	I_MEAS_MASK
0x21	TOP_MASK_2	R/W	Reserved							RESET_REG_MASK
0x22	BUCK_MASK	R/W	BUCK1_PG_MASK	BUCK1_PG_R_MASK	Reserved	BUCK1_ILIM_MASK	BUCK0_PG_MASK	BUCK0_PG_R_MASK	Reserved	BUCK0_ILIM_MASK
0x23	LDO_MASK	R/W	LDO1_PGF_MASK	LDO1_PGR_MASK	Reserved	LDO1_ILIM_MASK	LDO0_PGF_MASK	LDO0_PGR_MASK	Reserved	LDO0_ILIM_MASK
0x24	SEL_I_LOAD	R/W	Reserved							LOAD_CURRENT_BUCK_SELECT
0x25	I_LOAD_2	R	Reserved							BUCK_LOAD_CURRENT[8]
0x26	I_LOAD_1	R	BUCK_LOAD_CURRENT[7:0]							

LP8733-Q1

SNVSB64 – SEPTEMBER 2018

www.ti.com
7.6.1.1 DEV_REV

Address: 0x00

D7	D6	D5	D4	D3	D2	D1	D0
DEVICE_ID[1:0]		Reserved					
Bits	Field	Type	Default	Description			
7:6	DEVICE_ID[1:0]	R	X	Device specific ID code.			
5:0	Reserved	R	00 0010				

7.6.1.2 OTP_REV

Address: 0x01

D7	D6	D5	D4	D3	D2	D1	D0
OTP_ID[7:0]							
Bits	Field	Type	Default	Description			
7:0	OTP_ID[7:0]	R	X	Identification Code of the OTP EPROM Version.			

7.6.1.3 BUCK0_CTRL_1

Address: 0x02

D7	D6	D5	D4	D3	D2	D1	D0
Reserved			BUCK0_FPWM_MP	BUCK0_FPWM	BUCK0_RDIS_EN	BUCK0_EN_PIN_CTRL	BUCK0_EN
Bits	Field	Type	Default	Description			
7:5	Reserved	R/W	000				
4	BUCK0_FPWM_MP	R/W	X	Forces the Buck0 regulator to operate always in multi-phase and forced PWM operation mode: 0 - Automatic phase adding and shedding. 1 - Forced to multi-phase operation, 2 phases in the 2-phase configuration.			
3	BUCK0_FPWM	R/W	X	Buck0 mode selection: 0 - Automatic transitions between PFM and PWM modes (AUTO mode) 1 - Forced to PWM operation.			
2	BUCK0_RDIS_EN	R/W	1	Enable output discharge resistor (R_{DIS_BX}) when Buck0 is disabled: 0 - Discharge resistor disabled 1 - Discharge resistor enabled.			
1	BUCK0_EN_PIN_CTRL	R/W	X	Enable control for Buck0: 0 - only BUCK0_EN bit controls Buck0 1 - BUCK0_EN bit AND EN pin control Buck0.			
0	BUCK0_EN	R/W	X	Enable Buck0 regulator: 0 - Buck0 regulator is disabled 1 - Buck0 regulator is enabled.			

7.6.1.4 BUCK0_CTRL_2

Address: 0x03

D7	D6	D5	D4	D3	D2	D1	D0
Reserved		BUCK0_ILIM[2:0]			BUCK0_SLEW_RATE[2:0]		

Bits	Field	Type	Default	Description
7:6	Reserved	R/W	00	
5:3	BUCK0_ILIM[2:0]	R/W	X	Sets the switch current limit of Buck0. Can be programmed at any time during operation: 0x0 - 1.5 A 0x1 - 2.0 A 0x2 - 2.5 A 0x3 - 3.0 A 0x4 - 3.5 A 0x5 - 4.0 A 0x6 - Reserved 0x7 - Reserved
2:0	BUCK0_SLEW_RATE[2:0]	R/W	X	Sets the output voltage slew rate for Buck0 regulator (rising and falling edges): 0x0 - Reserved 0x1 - Reserved 0x2 - 10 mV/μs 0x3 - 7.5 mV/μs 0x4 - 3.8 mV/μs 0x5 - 1.9 mV/μs 0x6 - 0.94 mV/μs 0x7 - 0.47 mV/μs

7.6.1.5 BUCK1_CTRL_1

Address: 0x04

D7	D6	D5	D4	D3	D2	D1	D0
Reserved				BUCK1_FPWM	BUCK1_RDIS_EN	BUCK1_EN_PIN_CTRL	BUCK1_EN

Bits	Field	Type	Default	Description
7:4	Reserved	R/W	0000	
3	BUCK1_FPWM	R/W	X	Buck1 mode selection: 0 - Automatic transitions between PFM and PWM modes (AUTO mode) 1 - Forced to PWM operation.
2	BUCK1_RDIS_EN	R/W	1	Enable output discharge resistor (R _{DIS_Bx}) when Buck1 is disabled: 0 - Discharge resistor disabled 1 - Discharge resistor enabled.
1	BUCK1_EN_PIN_CTRL	R/W	X	Enable control for Buck1: 0 - only BUCK1_EN bit controls Buck1 1 - BUCK1_EN bit AND EN pin control Buck1.
0	BUCK1_EN	R/W	X	Enable Buck1 regulator: 0 - Buck1 regulator is disabled 1 - Buck1 regulator is enabled.

7.6.1.6 BUCK1_CTRL_2

Address: 0x05

D7	D6	D5	D4	D3	D2	D1	D0
Reserved		BUCK1_ILIM[2:0]			BUCK1_SLEW_RATE[2:0]		

Bits	Field	Type	Default	Description
7:6	Reserved	R/W	00	
5:3	BUCK1_ILIM[2:0]	R/W	X	Sets the switch current limit of Buck1. Can be programmed at any time during operation: 0x0 - 1.5 A 0x1 - 2.0 A 0x2 - 2.5 A 0x3 - 3.0 A 0x4 - 3.5 A 0x5 - 4.0 A 0x6 - Reserved 0x7 - Reserved
2:0	BUCK1_SLEW_RATE[2:0]	R/W	X	Sets the output voltage slew rate for Buck1 regulator (rising and falling edges): 0x0 - Reserved 0x1 - Reserved 0x2 - 10 mV/μs 0x3 - 7.5 mV/μs 0x4 - 3.8 mV/μs 0x5 - 1.9 mV/μs 0x6 - 0.94 mV/μs 0x7 - 0.47 mV/μs

7.6.1.7 BUCK0_VOUT

Address: 0x06

D7	D6	D5	D4	D3	D2	D1	D0
BUCK0_VSET[7:0]							

Bits	Field	Type	Default	Description
7:0	BUCK0_VSET[7:0]	R/W	X	Sets the output voltage of Buck0 regulator Reserved, DO NOT USE 0x00 ... 0x13 0.7 V - 0.73 V, 10 mV steps 0x14 - 0.7V ... 0x17 - 0.73 V 0.73 V - 1.4 V, 5 mV steps 0x18 - 0.735 V ... 0x9D - 1.4 V 1.4 V - 3.36 V, 20 mV steps 0x9E - 1.42 V ... 0xFF - 3.36 V

7.6.1.8 BUCK1_VOUT

Address: 0x07

D7	D6	D5	D4	D3	D2	D1	D0
BUCK1_VSET[7:0]							

Bits	Field	Type	Default	Description
7:0	BUCK1_VSET[7:0]	R/W	X	Sets the output voltage of Buck0 regulator Reserved, DO NOT USE 0x00 ... 0x13 0.7 V - 0.73 V, 10 mV steps 0x14 - 0.7V ... 0x17 - 0.73 V 0.73 V - 1.4 V, 5 mV steps 0x18 - 0.735 V ... 0x9D - 1.4 V 1.4 V - 3.36 V, 20 mV steps 0x9E - 1.42 V ... 0xFF - 3.36 V

7.6.1.9 LDO0_CTRL

Address: 0x08

D7	D6	D5	D4	D3	D2	D1	D0
Reserved					LDO0_RDIS_EN	LDO0_EN_PIN_CTRL	LDO0_EN

Bits	Field	Type	Default	Description
7:3	Reserved	R/W	0 0000	
2	LDO0_RDIS_EN	R/W	1	Enable output discharge resistor (R _{DIS_LDOx}) when LDO0 is disabled: 0 - Discharge resistor disabled 1 - Discharge resistor enabled.
1	LDO0_EN_PIN_CTRL	R/W	X	Enable control for LDO0: 0 - only LDO0_EN bit controls LDO0 1 - LDO0_EN bit AND EN pin control LDO0.
0	LDO0_EN	R/W	X	Enable LDO0 regulator: 0 - LDO0 regulator is disabled 1 - LDO0 regulator is enabled.

7.6.1.10 LDO1_CTRL

Address: 0x09

D7	D6	D5	D4	D3	D2	D1	D0
Reserved					LDO1_RDIS_EN	LDO1_EN_PIN_CTRL	LDO1_EN

Bits	Field	Type	Default	Description
7:3	Reserved	R/W	0 0000	
2	LDO1_RDIS_EN	R/W	1	Enable output discharge resistor (R _{DIS_LDOx}) when LDO1 is disabled: 0 - Discharge resistor disabled 1 - Discharge resistor enabled.
1	LDO1_EN_PIN_CTRL	R/W	X	Enable control for LDO1: 0 - only LDO1_EN bit controls LDO1 1 - LDO1_EN bit AND EN pin control LDO1.
0	LDO1_EN	R/W	X	Enable LDO1 regulator: 0 - LDO1 regulator is disabled 1 - LDO1 regulator is enabled.

LP8733-Q1

SNVSB64 – SEPTEMBER 2018

www.ti.com
7.6.1.11 LDO0_VOUT

Address: 0x0A

D7	D6	D5	D4	D3	D2	D1	D0
Reserved			LDO0_VSET[4:0]				

Bits	Field	Type	Default	Description
7:5	Reserved	R/W	000	
4:0	LDO0_VSET[4:0]	R/W	X	Sets the output voltage of LDO0 regulator 0.8 V - 3.3 V, 100 mV steps 0x00 - 0.8V ... 0x19 - 3.3 V Reserved, DO NOT USE 0x1A ... 0x1F

7.6.1.12 LDO1_VOUT

Address: 0x0B

D7	D6	D5	D4	D3	D2	D1	D0
Reserved			LDO1_VSET[4:0]				

Bits	Field	Type	Default	Description
7:5	Reserved	R/W	000	
4:0	LDO1_VSET[4:0]	R/W	X	Sets the output voltage of LDO1 regulator 0.8 V - 3.3 V, 100 mV steps 0x00 - 0.8V ... 0x19 - 3.3 V Reserved, DO NOT USE 0x1A ... 0x1F

7.6.1.13 BUCK0_DELAY

Address: 0x0C

D7	D6	D5	D4	D3	D2	D1	D0
BUCK0_SHUTDOWN_DELAY[3:0]				BUCK0_STARTUP_DELAY[3:0]			

Bits	Field	Type	Default	Description
7:4	BUCK0_SHUTDOWN_DELAY[3:0]	R/W	X	Shutdown delay of Buck0 from falling edge of EN signal: 0x0 - 0 ms 0x1 - 0.5 ms (1 ms if SHUTDOWN_DELAY_SEL=1 in CONFIG register) ... 0xF - 7.5 ms (15 ms if SHUTDOWN_DELAY_SEL=1 in CONFIG register)
3:0	BUCK0_STARTUP_DELAY[3:0]	R/W	X	Startup delay of Buck0 from rising edge of EN signal: 0x0 - 0 ms 0x1 - 0.5 ms (1 ms if STARTUP_DELAY_SEL=1 in CONFIG register) ... 0xF - 7.5 ms (15 ms if STARTUP_DELAY_SEL=1 in CONFIG register)

7.6.1.14 BUCK1_DELAY

Address: 0x0D

D7	D6	D5	D4	D3	D2	D1	D0
BUCK1_SHUTDOWN_DELAY[3:0]				BUCK1_STARTUP_DELAY[3:0]			

Bits	Field	Type	Default	Description
7:4	BUCK1_SHUTDOWN_DELAY[3:0]	R/W	X	Shutdown delay of Buck1 from falling edge of EN signal: 0x0 - 0 ms 0x1 - 0.5 ms (1 ms if SHUTDOWN_DELAY_SEL=1 in CONFIG register) ... 0xF - 7.5 ms (15 ms if SHUTDOWN_DELAY_SEL=1 in CONFIG register)
3:0	BUCK1_STARTUP_DELAY[3:0]	R/W	X	Startup delay of Buck1 from rising edge of EN signal: 0x0 - 0 ms 0x1 - 0.5 ms (1 ms if STARTUP_DELAY_SEL=1 in CONFIG register) ... 0xF - 7.5 ms (15 ms if STARTUP_DELAY_SEL=1 in CONFIG register)

7.6.1.15 LDO0_DELAY

Address: 0x0E

D7	D6	D5	D4	D3	D2	D1	D0
LDO0_SHUTDOWN_DELAY[3:0]				LDO0_STARTUP_DELAY[3:0]			

Bits	Field	Type	Default	Description
7:4	LDO0_SHUTDOWN_DELAY[3:0]	R/W	X	Shutdown delay of LDO0 from falling edge of EN signal: 0x0 - 0 ms 0x1 - 0.5 ms (1 ms if SHUTDOWN_DELAY_SEL=1 in CONFIG register) ... 0xF - 7.5 ms (15 ms if SHUTDOWN_DELAY_SEL=1 in CONFIG register)
3:0	LDO0_STARTUP_DELAY[3:0]	R/W	X	Startup delay of LDO0 from rising edge of EN signal: 0x0 - 0 ms 0x1 - 0.5 ms (1 ms if STARTUP_DELAY_SEL=1 in CONFIG register) ... 0xF - 7.5 ms (15 ms if STARTUP_DELAY_SEL=1 in CONFIG register)

7.6.1.16 LDO1_DELAY

Address: 0x0F

D7	D6	D5	D4	D3	D2	D1	D0
LDO1_SHUTDOWN_DELAY[3:0]				LDO1_STARTUP_DELAY[3:0]			

Bits	Field	Type	Default	Description
7:4	LDO1_SHUTDOWN_DELAY[3:0]	R/W	X	Shutdown delay of LDO1 from falling edge of EN signal: 0x0 - 0 ms 0x1 - 0.5 ms (1 ms if SHUTDOWN_DELAY_SEL=1 in CONFIG register) ... 0xF - 7.5 ms (15 ms if SHUTDOWN_DELAY_SEL=1 in CONFIG register)
3:0	LDO1_STARTUP_DELAY[3:0]	R/W	X	Startup delay of LDO1 from rising edge of EN signal: 0x0 - 0 ms 0x1 - 0.5 ms (1 ms if STARTUP_DELAY_SEL=1 in CONFIG register) ... 0xF - 7.5 ms (15 ms if STARTUP_DELAY_SEL=1 in CONFIG register)

7.6.1.17 GPO_DELAY

Address: 0x10

D7	D6	D5	D4	D3	D2	D1	D0
GPO_SHUTDOWN_DELAY[3:0]				GPO_STARTUP_DELAY[3:0]			

Bits	Field	Type	Default	Description
7:4	GPO_SHUTDOWN_DELAY[3:0]	R/W	X	Delay for GPO falling edge from falling edge of EN signal: 0x0 - 0 ms 0x1 - 0.5 ms (1 ms if SHUTDOWN_DELAY_SEL=1 in CONFIG register) ... 0xF - 7.5 ms (15 ms if SHUTDOWN_DELAY_SEL=1 in CONFIG register)

LP8733-Q1

SNVSB64 – SEPTEMBER 2018

www.ti.com

Bits	Field	Type	Default	Description
3:0	GPO_STARTUP_DELAY[3:0]	R/W	X	Delay for GPO rising edge from rising edge of EN signal: 0x0 - 0 ms 0x1 - 0.5 ms (1 ms if STARTUP_DELAY_SEL=1 in CONFIG register) ... 0xF - 7.5 ms (15 ms if STARTUP_DELAY_SEL=1 in CONFIG register)

7.6.1.18 GPO2_DELAY

Address: 0x11

D7	D6	D5	D4	D3	D2	D1	D0
GPO2_SHUTDOWN_DELAY[3:0]				GPO2_STARTUP_DELAY[3:0]			

Bits	Field	Type	Default	Description
7:4	GPO2_SHUTDOWN_DELAY[3:0]	R/W	X	Delay for GPO2 falling edge from falling edge of EN signal: 0x0 - 0 ms 0x1 - 0.5 ms (1 ms if SHUTDOWN_DELAY_SEL=1 in CONFIG register) ... 0xF - 7.5 ms (15 ms if SHUTDOWN_DELAY_SEL=1 in CONFIG register)
3:0	GPO2_STARTUP_DELAY[3:0]	R/W	X	Delay for GPO2 rising edge from rising edge of EN signal: 0x0 - 0 ms 0x1 - 0.5 ms (1 ms if STARTUP_DELAY_SEL=1 in CONFIG register) ... 0xF - 7.5 ms (15 ms if STARTUP_DELAY_SEL=1 in CONFIG register)

7.6.1.19 GPO_CTRL

Address: 0x12

D7	D6	D5	D4	D3	D2	D1	D0
Reserved	GPO2_OD	GPO2_EN_PIN_CTRL	GPO2_EN	Reserved	GPO_OD	GPO_EN_PIN_CTRL	GPO_EN

Bits	Field	Type	Default	Description
7	Reserved	R	0	
6	GP02_OD	R/W	X	GPO2 signal type when configured as General Purpose Output (CLKIN pin): 0 - Push-pull output (VANA level) 1 - Open-drain output
5	GPO2_EN_PIN_CTRL	R/W	X	Control for GPO2: 0 - Only GPO2_EN bit controls GPO2 1 - GPO2_EN bit AND EN pin control GPO2.
4	GPO2_EN	R/W	X	Output level of GPO2 signal (when configured as General Purpose Output): 0 - Logic low level 1 - Logic high level
3	Reserved	R	0	
2	GPO_OD	R/W	X	GPO signal type: 0 - Push-pull output (VANA level) 1 - Open-drain output
1	GPO_EN_PIN_CTRL	R/W	X	Control for GPO: 0 - Only GPO_EN bit controls GPO 1 - GPO_EN bit AND EN pin control GPO.
0	GPO_EN	R/W	X	Output level of GPO signal: 0 - Logic low level 1 - Logic high level

7.6.1.20 CONFIG

Address: 0x13

D7	D6	D5	D4	D3	D2	D1	D0
Reserved	STARTUP_DE LAY_SEL	SHUTDOWN_ DELAY_SEL	CLKIN_PIN_SE L	CLKIN_PD	EN2_PD	TDIE_WARN_ LEVEL	EN_SPREAD _SPEC

Bits	Field	Type	Default	Description
7	Reserved	R/W	0	
6	STARTUP_DELAY _SEL	R/W	X	Startup delay range from EN signals. 0 - 0 ms - 7.5 ms with 0.5 ms steps 1 - 0 ms - 15 ms with 1 ms steps
5	SHUTDOWN_DE LAY_SEL	R/W	X	Shutdown delay range from EN signals. 0 - 0 ms - 7.5 ms with 0.5 ms steps 1 - 0 ms - 15 ms with 1 ms steps
4	CLKIN_PIN_SEL	R/W	X	CLKIN pin function: 0 - GPO2 1 - CLKIN
3	CLKIN_PD	R/W	X	Selects the pull down resistor on the CLKIN input pin. (valid also when selected as GPO2) 0 - Pull-down resistor is disabled. 1 - Pull-down resistor is enabled.
2	EN_PD	R/W	X	Selects the pull down resistor on the EN input pin. 0 - Pull-down resistor is disabled. 1 - Pull-down resistor is enabled.
1	TDIE_WARN_ LEVEL	R/W	X	Thermal warning threshold level. 0 - 125°C 1 - 137°C.
0	EN_SPREAD _SPEC	R/W	X	Enable spread spectrum feature: 0 - Disabled 1 - Enabled

7.6.1.21 PLL_CTRL

Address: 0x14

D7	D6	D5	D4	D3	D2	D1	D0
Reserved	EN_PLL	Reserved	EXT_CLK_FREQ[4:0]				

Bits	Field	Type	Default	Description
7	Reserved	R/W	0	
6	EN_PLL	R/W	X	Selection of external clock and PLL operation: 0 - Forced to internal RC oscillator. PLL disabled. 1 - PLL is enabled in STANDBY and ACTIVE modes. Automatic external clock use when available, interrupt generated if external clock appears or disappears.
5	Reserved	R/W	0	This bit must be set to '0'.
4:0	EXT_CLK_FREQ[4 :0]	R/W	X	Frequency of the external clock (CLKIN): 0x00 - 1 MHz 0x01 - 2 MHz 0x02 - 3 MHz ... 0x16 - 23 MHz 0x17 - 24 MHz 0x18...0x1F - Reserved See electrical specification for input clock frequency tolerance.

LP8733-Q1

SNVSB64 – SEPTEMBER 2018

www.ti.com
7.6.1.22 PGOOD_CTRL_1

Address: 0x15

D7	D6	D5	D4	D3	D2	D1	D0
PGOOD_POL	PGOOD_OD	PGOOD_WINDOW_LDO	PGOOD_WINDOW_BUCK	EN_PGOOD_LDO1	EN_PGOOD_LDO0	EN_PGOOD_BUCK1	EN_PGOOD_BUCK0

Bits	Field	Type	Default	Description
7	PGOOD_POL	R/W	X	PGOOD signal polarity. 0 - PGOOD signal high when monitored outputs are valid 1 - PGOOD signal low when monitored outputs are valid
6	PGOOD_OD	R/W	X	PGOOD signal type: 0 - Push-pull output (VANA level) 1 - Open-drain output
5	PGOOD_WINDOW_LDO	R/W	X	LDO Output voltage monitoring method for PGOOD signal: 0 - Only undervoltage monitoring 1 - Overvoltage and undervoltage monitoring.
4	PGOOD_WINDOW_BUCK	R/W	X	Buck Output voltage monitoring method for PGOOD signal: 0 - Only undervoltage monitoring 1 - Overvoltage and undervoltage monitoring.
3	EN_PGOOD_LDO1	R/W	X	PGOOD signal source control from LDO1 0 - LDO1 is not monitored 1 - LDO1 Power-Good threshold voltage monitored
2	EN_PGOOD_LDO0	R/W	X	PGOOD signal source control from LDO0 0 - LDO0 is not monitored 1 - LDO0 Power-Good threshold voltage monitored
1	EN_PGOOD_BUCK1	R/W	X	PGOOD signal source control from Buck1 0 - Buck1 is not monitored 1 - Buck1 Power-Good threshold voltage monitored
0	EN_PGOOD_BUCK0	R/W	X	PGOOD signal source control from Buck0 0 - Buck0 is not monitored 1 - Buck0 Power-Good threshold voltage monitored

7.6.1.23 PGOOD_CTRL_2

Address: 0x16

D7	D6	D5	D4	D3	D2	D1	D0
Reserved					EN_PGOOD_TWARN	PG_FAULT_GATES_PGOOD	PGOOD_MODE

Bits	Field	Type	Default	Description
7:3	Reserved	R/W	0 0000	
2	EN_PGOOD_TWARN	R/W	X	Thermal warning control for PGOOD signal: 0 - Thermal warning not monitored 1 - PGOOD inactive if thermal warning flag is active.
1	PG_FAULT_GATE_S_PGOOD	R/W	X	Type of operation for PGOOD signal: 0 - Indicates live status of monitored voltage outputs. 1 - Indicates status of PG_FAULT register, inactive when at least one PG_FAULT_x bit is inactive.
0	PGOOD_MODE	R/W	X	Operating mode for PGOOD signal: 0 - Gated mode 1 - Continuous mode

7.6.1.24 PG_FAULT

Address: 0x17

D7	D6	D5	D4	D3	D2	D1	D0
Reserved				PG_FAULT_LD01	PG_FAULT_LD00	PG_FAULT_BUCK1	PG_FAULT_BUCK0

Bits	Field	Type	Default	Description
7:4	Reserved	R/W	0000	
3	PG_FAULT_LDO1	R/W	0	Source for PGOOD inactive signal: 0 - LDO1 has not set PGOOD signal inactive. 1 - LDO1 is selected for PGOOD signal and it has set PGOOD signal inactive. This bit can be cleared by writing '1' to this bit when LDO1 output is valid.
2	PG_FAULT_LDO0	R/W	0	Source for PGOOD inactive signal: 0 - LDO0 has not set PGOOD signal inactive. 1 - LDO0 is selected for PGOOD signal and it has set PGOOD signal inactive. This bit can be cleared by writing '1' to this bit when LDO0 output is valid.
1	PG_FAULT_BUCK 1	R/W	0	Source for PGOOD inactive signal: 0 - Buck1 has not set PGOOD signal inactive. 1 - Buck1 is selected for PGOOD signal and it has set PGOOD signal inactive. This bit can be cleared by writing '1' to this bit when Buck1 output is valid.
0	PG_FAULT_BUCK 0	R/W	0	Source for PGOOD inactive signal: 0 - Buck0 has not set PGOOD signal inactive. 1 - Buck0 is selected for PGOOD signal and it has set PGOOD signal inactive. This bit can be cleared by writing '1' to this bit when Buck0 output is valid.

7.6.1.25 RESET

Address: 0x18

D7	D6	D5	D4	D3	D2	D1	D0
Reserved							SW_RESET

Bits	Field	Type	Default	Description
7:1	Reserved	R/W	000 0000	
0	SW_RESET	R/W	0	Software commanded reset. When written to 1, the registers will be reset to default values, OTP memory is read, and the I ² C interface is reset. The bit is automatically cleared.

7.6.1.26 INT_TOP_1

Address: 0x19

D7	D6	D5	D4	D3	D2	D1	D0
PGOOD_INT	LDO_INT	BUCK_INT	SYNC_CLK_IN T	TDIE_SD_INT	TDIE_WARN_I NT	OVP_INT	I_MEAS_INT

Bits	Field	Type	Default	Description
7	PGOOD_INT	R/W	0	Latched status bit indicating that the PGOOD pin has changed from active to inactive. Write 1 to clear interrupt.
6	LDO_INT	R	0	Interrupt indicating that LDO1 and/or LDO0 have a pending interrupt. The reason for the interrupt is indicated in INT_LDO register. This bit is cleared automatically when INT_LDO register is cleared to 0x00.
5	BUCK_INT	R	0	Interrupt indicating that Buck1 and/or Buck0 have a pending interrupt. The reason for the interrupt is indicated in INT_BUCK register. This bit is cleared automatically when INT_BUCK register is cleared to 0x00.
4	SYNC_CLK_INT	R/W	0	Latched status bit indicating that the external clock has appeared or disappeared. Write 1 to clear interrupt.
3	TDIE_SD_INT	R/W	0	Latched status bit indicating that the die junction temperature has exceeded the thermal shutdown level. The regulators have been disabled if they were enabled and GPO and GPO2 signals are driven low. The regulators cannot be enabled if this bit is active. The actual status of the thermal shutdown is indicated by TDIE_SD_STAT bit in TOP_STAT register. Write 1 to clear interrupt.
2	TDIE_WARN_INT	R/W	0	Latched status bit indicating that the die junction temperature has exceeded the thermal warning level. The actual status of the thermal warning is indicated by TDIE_WARN_STAT bit in TOP_STAT register. Write 1 to clear interrupt.

LP8733-Q1

SNVSB64 – SEPTEMBER 2018

www.ti.com

Bits	Field	Type	Default	Description
1	OVP_INT	R/W	0	Latched status bit indicating that the input voltage has exceeded the over-voltage detection level. The regulators have been disabled if they were enabled and GPO and GPO2 signals are driven low. The actual status of the over-voltage is indicated by OVP_STAT bit in TOP_STAT register. Write 1 to clear interrupt.
0	I_MEAS_INT	R/W	0	Latched status bit indicating that the load current measurement result is available in I_LOAD_1 and I_LOAD_2 registers. Write 1 to clear interrupt.

7.6.1.27 INT_TOP_2

Address: 0x1A

D7	D6	D5	D4	D3	D2	D1	D0
Reserved							RESET_REG_INT

Bits	Field	Type	Default	Description
7:1	Reserved	R/W	000 0000	
0	RESET_REG_INT	R/W	0	Latched status bit indicating that either VANA supply voltage has been below undervoltage threshold level or the host has requested a reset using SW_RESET bit in RESET register. The regulators have been disabled, and registers are reset to default values and the normal startup procedure is done. Write 1 to clear interrupt.

7.6.1.28 INT_BUCK

Address: 0x1B

D7	D6	D5	D4	D3	D2	D1	D0
Reserved	BUCK1_PG_INT	BUCK1_SC_INT	BUCK1_ILIM_INT	Reserved	BUCK0_PG_INT	BUCK0_SC_INT	BUCK0_ILIM_INT

Bits	Field	Type	Default	Description
7	Reserved	R/W	0	
6	BUCK1_PG_INT	R/W	0	Latched status bit indicating that Buck1 Power-Good event has been detected. Write 1 to clear.
5	BUCK1_SC_INT	R/W	0	Latched status bit indicating that the Buck1 output voltage has been over 1 ms below short-circuit threshold level. Write 1 to clear.
4	BUCK1_ILIM_INT	R/W	0	Latched status bit indicating that the Buck1 output current limit has been active. Write 1 to clear.
3	Reserved	R/W	0	
2	BUCK0_PG_INT	R/W	0	Latched status bit indicating that Buck0 Power-Good event has been detected. Write 1 to clear.
1	BUCK0_SC_INT	R/W	0	Latched status bit indicating that the Buck0 output voltage has been over 1 ms below short-circuit threshold level. Write 1 to clear.
0	BUCK0_ILIM_INT	R/W	0	Latched status bit indicating that the Buck0 output current limit has been active. Write 1 to clear.

7.6.1.29 INT_LDO

Address: 0x1C

D7	D6	D5	D4	D3	D2	D1	D0
Reserved	LDO1_PG_INT	LDO1_SC_INT	LDO1_ILIM_INT	Reserved	LDO0_PG_INT	LDO0_SC_INT	LDO0_ILIM_INT

Bits	Field	Type	Default	Description
7	Reserved	R/W	0	
6	LDO1_PG_INT	R/W	0	Latched status bit indicating that LDO1 Power-Good event has been detected. Write 1 to clear.
5	LDO1_SC_INT	R/W	0	Latched status bit indicating that the LDO1 output voltage has been over 1 ms below short-circuit threshold level. Write 1 to clear.
4	LDO1_ILIM_INT	R/W	0	Latched status bit indicating that the LDO1 output current limit has been active. Write 1 to clear.
3	Reserved	R/W	0	
2	LDO0_PG_INT	R/W	0	Latched status bit indicating that LDO0 Power-Good event has been detected. Write 1 to clear.
1	LDO0_SC_INT	R/W	0	Latched status bit indicating that the LDO0 output voltage has been over 1 ms below short-circuit threshold level. Write 1 to clear.
0	LDO0_ILIM_INT	R/W	0	Latched status bit indicating that the LDO0 output current limit has been active. Write 1 to clear.

7.6.1.30 TOP_STAT

Address: 0x1D

D7	D6	D5	D4	D3	D2	D1	D0
PGOOD_STAT	Reserved		SYNC_CLK_STAT	TDIE_SD_STAT	TDIE_WARN_STAT	OVP_STAT	Reserved

Bits	Field	Type	Default	Description
7	PGOOD_STAT	R	0	Status bit indicating the status of PGOOD pin: 0 - PGOOD pin is inactive 1 - PGOOD pin is active
6:5	Reserved	R	00	
4	SYNC_CLK_STAT	R	0	Status bit indicating the status of external clock (CLKIN): 0 - External clock frequency is valid 1 - External clock frequency is not valid.
3	TDIE_SD_STAT	R	0	Status bit indicating the status of thermal shutdown: 0 - Die temperature below thermal shutdown level 1 - Die temperature above thermal shutdown level.
2	TDIE_WARN_STAT	R	0	Status bit indicating the status of thermal warning: 0 - Die temperature below thermal warning level 1 - Die temperature above thermal warning level.
1	OVP_STAT	R	0	Status bit indicating the status of input overvoltage monitoring: 0 - Input voltage below overvoltage threshold level 1 - Input voltage above overvoltage threshold level.
0	Reserved	R	0	

7.6.1.31 BUCK_STAT

Address: 0x1E

D7	D6	D5	D4	D3	D2	D1	D0
BUCK1_STAT	BUCK1_PG_STAT	Reserved	BUCK1_ILIM_STAT	BUCK0_STAT	BUCK0_PG_STAT	Reserved	BUCK0_ILIM_STAT

Bits	Field	Type	Default	Description
7	BUCK1_STAT	R	0	Status bit indicating the enable/disable status of Buck1: 0 - Buck1 regulator is disabled 1 - Buck1 regulator is enabled.
6	BUCK1_PG_STAT	R	0	Status bit indicating Buck1 output voltage validity (raw status) 0 - Buck1 output voltage is valid. 1 - Buck1 output voltage is invalid.

LP8733-Q1

SNVSB64 – SEPTEMBER 2018

www.ti.com

Bits	Field	Type	Default	Description
5	Reserved	R	0	
4	BUCK1_ILIM_STAT	R	0	Status bit indicating Buck1 current limit status (raw status) 0 - Buck1 output current is below current limit level 1 - Buck1 output current limit is active.
3	BUCK0_STAT	R	0	Status bit indicating the enable/disable status of Buck0: 0 - Buck0 regulator is disabled 1 - Buck0 regulator is enabled.
2	BUCK0_PG_STAT	R	0	Status bit indicating Buck0 output voltage validity (raw status) 0 - Buck0 output voltage is valid. 1 - Buck0 output voltage is invalid.
1	Reserved	R	0	
0	BUCK0_ILIM_STAT	R	0	Status bit indicating Buck0 current limit status (raw status) 0 - Buck0 output current is below current limit level 1 - Buck0 output current limit is active.

7.6.1.32 LDO_STAT

Address: 0x1F

D7	D6	D5	D4	D3	D2	D1	D0
LDO1_STAT	LDO1_PG_STAT	Reserved	LDO1_ILIM_STAT	LDO0_STAT	LDO0_PG_STAT	Reserved	LDO0_ILIM_STAT

Bits	Field	Type	Default	Description
7	LDO1_STAT	R	0	Status bit indicating the enable/disable status of LDO1: 0 - LDO1 regulator is disabled 1 - LDO1 regulator is enabled.
6	LDO1_PG_STAT	R	0	Status bit indicating LDO1 output voltage validity (raw status) 0 - LDO1 output voltage is valid. 1 - LDO1 output voltage is invalid.
5	Reserved	R	0	
4	LDO1_ILIM_STAT	R	0	Status bit indicating LDO1 current limit status (raw status) 0 - LDO1 output current is below current limit level 1 - LDO1 output current limit is active.
3	LDO0_STAT	R	0	Status bit indicating the enable/disable status of LDO0: 0 - LDO0 regulator is disabled 1 - LDO0 regulator is enabled.
2	LDO0_PG_STAT	R	0	Status bit indicating LDO0 output voltage validity (raw status) 0 - LDO0 output voltage is valid. 1 - LDO0 output voltage is invalid.
1	Reserved	R	0	
0	LDO0_ILIM_STAT	R	0	Status bit indicating LDO0 current limit status (raw status) 0 - LDO0 output current is below current limit level 1 - LDO0 output current limit is active.

7.6.1.33 TOP_MASK_1

Address: 0x20

D7	D6	D5	D4	D3	D2	D1	D0
PGOOD_INT_MASK	Reserved		SYNC_CLK_MASK	Reserved	TDIE_WARN_MASK	Reserved	I_LOAD_READY_MASK

Bits	Field	Type	Default	Description
7	PGOOD_INT_MASK	R/W	X	Masking for Power-Good interrupt (PGOOD_INT in INT_TOP_1 register): 0 - Interrupt generated 1 - Interrupt not generated. This bit does not affect PGOOD_STAT status bit in TOP_STAT register.
6:5	Reserved	R/W	00	

Bits	Field	Type	Default	Description
4	SYNC_CLK_MASK	R/W	X	Masking for external clock detection interrupt (SYNC_CLK_INT in INT_TOP_1 register): 0 - Interrupt generated 1 - Interrupt not generated. This bit does not affect SYNC_CLK_STAT status bit in TOP_STAT register.
3	Reserved	R/W	0	
2	TDIE_WARN_MASK	R/W	X	Masking for thermal warning interrupt (TDIE_WARN_INT in INT_TOP_1 register): 0 - Interrupt generated 1 - Interrupt not generated. This bit does not affect TDIE_WARN_STAT status bit in TOP_STAT register.
1	Reserved	R/W	0	
0	I_MEAS_MASK	R/W	X	Masking for load current measurement ready interrupt (MEAS_INT in INT_TOP_1 register). 0 - Interrupt generated 1 - Interrupt not generated.

7.6.1.34 TOP_MASK_2

Address: 0x21

D7	D6	D5	D4	D3	D2	D1	D0
Reserved							RESET_REG_MASK

Bits	Field	Type	Default	Description
7:1	Reserved	R/W	000 0000	
0	RESET_REG_MASK	R/W	X	Masking for register reset interrupt (RESET_REG_INT in INT_TOP_2 register): 0 - Interrupt generated 1 - Interrupt not generated. This change of this bit by I ² C writing has no effect because it will be read from OTP memory during reset.

7.6.1.35 BUCK_MASK

Address: 0x22

D7	D6	D5	D4	D3	D2	D1	D0
BUCK1_PGF_MASK	BUCK1_PGR_MASK	Reserved	BUCK1_ILIM_MASK	BUCK0_PGF_MASK	BUCK0_PGR_MASK	Reserved	BUCK0_ILIM_MASK

Bits	Field	Type	Default	Description
7	BUCK1_PGF_MASK	R/W	X	Masking of Power Good invalid detection for Buck1 power good interrupt (BUCK1_PG_INT in INT_BUCK register): 0 - Interrupt generated 1 - Interrupt not generated. This bit does not affect BUCK1_PG_STAT status bit in BUCK_STAT register.
6	BUCK1_PGR_MASK	R/W	X	Masking of Power Good valid detection for Buck1 Power Good interrupt (BUCK1_PG_INT in INT_BUCK register): 0 - Interrupt generated 1 - Interrupt not generated. This bit does not affect BUCK1_PG_STAT status bit in BUCK_STAT register.
5	Reserved	R	0	
4	BUCK1_ILIM_MASK	R/W	X	Masking for Buck1 current limit detection interrupt (BUCK1_ILIM_INT in INT_BUCK register): 0 - Interrupt generated 1 - Interrupt not generated. This bit does not affect BUCK1_ILIM_STAT status bit in BUCK_STAT register.
3	BUCK0_PGF_MASK	R/W	X	Masking of Power Good invalid detection for Buck0 power good interrupt (BUCK0_PG_INT in INT_BUCK register): 0 - Interrupt generated 1 - Interrupt not generated. This bit does not affect BUCK0_PG_STAT status bit in BUCK_STAT register.

LP8733-Q1

SNVSB64 – SEPTEMBER 2018

www.ti.com

Bits	Field	Type	Default	Description
2	BUCK0_PGR_MASK	R/W	X	Masking of Power Good valid detection for Buck0 power good interrupt (BUCK0_PG_INT in INT_BUCK register): 0 - Interrupt generated 1 - Interrupt not generated. This bit does not affect BUCK0_PG_STAT status bit in BUCK_STAT register.
1	Reserved	R	0	
0	BUCK0_ILIM_MASK	R/W	X	Masking for Buck0 current limit detection interrupt (BUCK0_ILIM_INT in INT_BUCK register): 0 - Interrupt generated 1 - Interrupt not generated. This bit does not affect BUCK0_ILIM_STAT status bit in BUCK_STAT register.

7.6.1.36 LDO_MASK

Address: 0x23

D7	D6	D5	D4	D3	D2	D1	D0
LDO1_PGF_MASK	LDO1_PGR_MASK	Reserved	LDO1_ILIM_MASK	LDO0_PGF_MASK	LDO0_PGR_MASK	Reserved	LDO0_ILIM_MASK

Bits	Field	Type	Default	Description
7	LDO1_PGF_MASK	R/W	X	Masking of Power Good invalid detection for LDO1 power good interrupt (LDO1_PG_INT in INT_LDO register): 0 - Interrupt generated 1 - Interrupt not generated. This bit does not affect LDO1_PG_STAT status bit in LDO_STAT register.
6	LDO1_PGR_MASK	R/W	X	Masking of Power Good valid detection for LDO1 power good interrupt (LDO1_PG_INT in INT_LDO register): 0 - Interrupt generated 1 - Interrupt not generated. This bit does not affect LDO1_PG_STAT status bit in LDO_STAT register.
5	Reserved	R	0	
4	LDO1_ILIM_MASK	R/W	X	Masking for LDO1 current limit detection interrupt (LDO1_ILIM_INT in INT_LDO register): 0 - Interrupt generated 1 - Interrupt not generated. This bit does not affect LDO1_ILIM_STAT status bit in LDO_STAT register.
3	LDO0_PGF_MASK	R/W	X	Masking of Power Good invalid detection for LDO0 power good interrupt (LDO0_PG_INT in INT_LDO register): 0 - Interrupt generated 1 - Interrupt not generated. This bit does not affect LDO0_PG_STAT status bit in LDO_STAT register.
2	LDO0_PGR_MASK	R/W	X	Masking of Power Good valid detection for LDO0 power good interrupt (LDO0_PG_INT in INT_LDO register): 0 - Interrupt generated 1 - Interrupt not generated. This bit does not affect LDO0_PG_STAT status bit in LDO_STAT register.
1	Reserved	R	0	
0	LDO0_ILIM_MASK	R/W	X	Masking for LDO0 current limit detection interrupt (LDO0_ILIM_INT in INT_LDO register): 0 - Interrupt generated 1 - Interrupt not generated. This bit does not affect LDO0_ILIM_STAT status bit in LDO_STAT register.

7.6.1.37 SEL_I_LOAD

Address: 0x24

D7	D6	D5	D4	D3	D2	D1	D0
Reserved							LOAD_CURRENT_BUCK_SELECT

Bits	Field	Type	Default	Description
7:1	Reserved	R/W	000 0000	
0	LOAD_CURRENT_BUCK_SELECT	R/W	0	Start the current measurement on the selected regulator: 0 - Buck0 1 - Buck1 The measurement is started when register is written. If the selected buck is master, the measurement result is a sum current of master and slave buck. If the selected buck is slave, the measurement result is a current of the selected slave buck.

7.6.1.38 I_LOAD_2

Address: 0x25

D7	D6	D5	D4	D3	D2	D1	D0
Reserved							BUCK_LOAD_CURRENT[8]

Bits	Field	Type	Default	Description
7:1	Reserved	R	000 0000	
0	BUCK_LOAD_CURRENT[8]	R	0	This register describes the MSB bit of the average load current on selected regulator with a resolution of 20 mA per LSB and maximum 10.22-A current.

7.6.1.39 I_LOAD_1

Address: 0x26

D7	D6	D5	D4	D3	D2	D1	D0
BUCK_LOAD_CURRENT[7:0]							

Bits	Field	Type	Default	Description
7:0	BUCK_LOAD_CURRENT[7:0]	R	0000 0000	This register describes 8 LSB bits of the average load current on selected regulator with a resolution of 20 mA per LSB and maximum 10.22-A current.

8 Application and Implementation

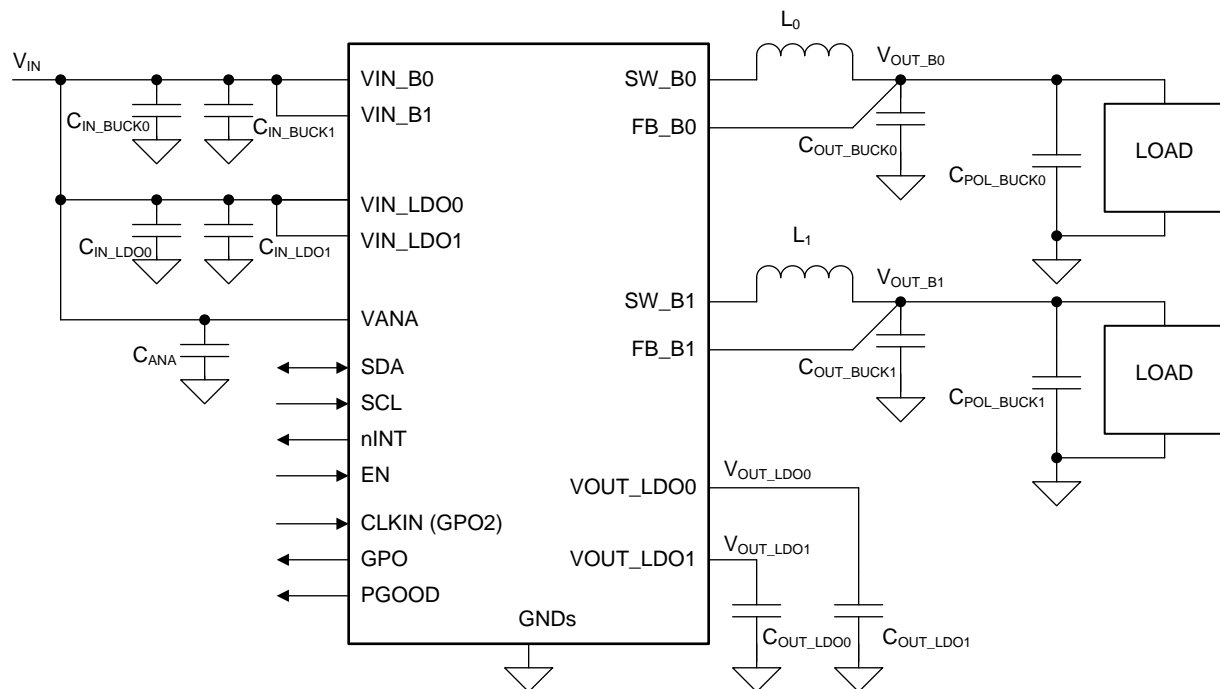
NOTE

Information in the following applications sections is not part of the TI component specification, and TI does not warrant its accuracy or completeness. TI's customers are responsible for determining suitability of components for their purposes. Customers should validate and test their design implementation to confirm system functionality.

8.1 Application Information

The LP8733xx-Q1 is a power management unit including two step-down regulators, two linear regulators, and two general-purpose digital output signals.

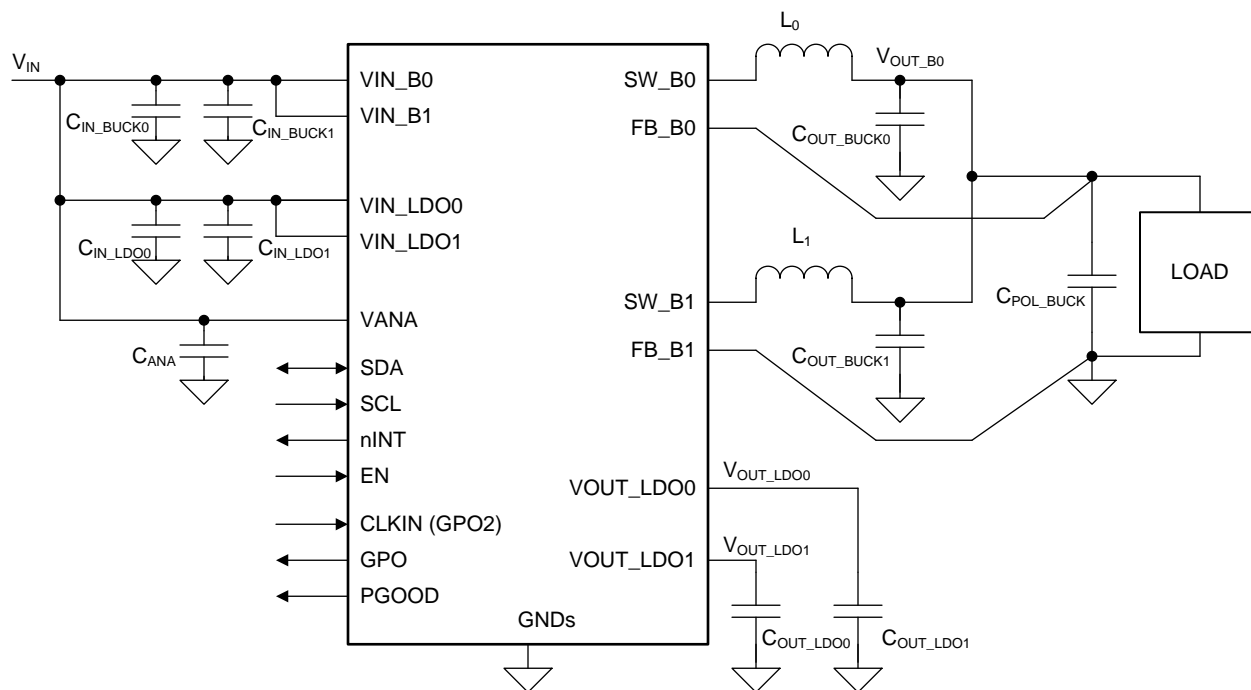
8.2 Typical Applications



Copyright © 2017, Texas Instruments Incorporated

Figure 29. Two Single-phase Buck Outputs Configuration

Typical Applications (continued)



Copyright © 2017, Texas Instruments Incorporated

Figure 30. Single Dual-phase Buck Output Configuration

8.2.1 Design Requirements

8.2.1.1 Inductor Selection

The inductors L_0 and L_1 are shown in the *Typical Applications*. The inductance and DCR of the inductor affects the control loop of the buck regulator. TI recommends using inductors similar to those listed in [Table 8](#). Pay attention to the saturation current and temperature rise current of the inductor. Check that the saturation current is higher than the peak current limit and the temperature rise current is higher than the maximum expected rms output current. Minimum effective inductance to ensure good performance is $0.22 \mu\text{H}$ at maximum peak output current over the operating temperature range. DC resistance of the inductor must be less than 0.05Ω for good efficiency at high-current condition. The inductor AC loss also affects conversion efficiency. Higher Q factor at switching frequency usually gives better efficiency at light load to middle load. Shielded inductors are preferred as they radiate less noise.

Table 8. Recommended Inductors

MANUFACTURER	PART NUMBER	VALUE	DIMENSIONS L x W x H (mm)	RATED DC CURRENT I_{SAT} maximum (typical) / I_{TEMP} maximum (typical) (A)	DCR typical / maximum (mΩ)
TOKO	DFE252012PD-R47M	0.47 μH (20%)	2.5 x 2 x 1.2	5.2 (-) / 4 (-) ⁽¹⁾	— / 27
Tayo Yuden	MDMK2020TR47M MV	0.47 μH (20%)	2 x 2 x 1.2	4.2 (4.8) / 2.3 (2.45)	40 / 46

(1) Operating temperature range is up to 125°C including self temperature rise.

8.2.1.2 Buck Input Capacitor Selection

The input capacitors C_{IN_BUCK0} and C_{IN_BUCK1} are shown in the [Typical Applications](#). A ceramic input bypass capacitor of 10 μF is required for each phase of the regulator. Place the input capacitor as close as possible to the VIN_Bx pin and PGND_Bx pin of the device. A larger value or higher voltage rating improves the input voltage filtering. Use X7R type of capacitors, not Y5V or F. Also the DC bias characteristics capacitors must be considered. Minimum effective input capacitance to ensure good performance is 1.9 μF per buck input at maximum input voltage including tolerances, ambient temperature range and aging. This is assuming that there are at least 22 μF of additional capacitance common for all the power input pins on the system power rail. See [Table 9](#).

The input filter capacitor supplies current to the high-side FET switch in the first half of each cycle and reduces voltage ripple imposed on the input power source. A ceramic capacitor's low ESR provides the best noise filtering of the input voltage spikes due to this rapidly changing current. Select an input filter capacitor with sufficient ripple current rating. In addition ferrite can be used in front of the input capacitor to reduce the EMI.

Table 9. Recommended Buck Input Capacitor (X7R Dielectric)

MANUFACTURER	PART NUMBER	VALUE	CASE SIZE	DIMENSIONS L x W x H (mm)	VOLTAGE RATING
Murata	GCM21BR71A106KE22	10 μF (10%)	0805	2 x 1.25 x 1.25	10 V

8.2.1.3 Buck Output Capacitor Selection

The output capacitor C_{OUT_BUCK0} and C_{OUT_BUCK1} are shown in [Typical Applications](#). A ceramic local output capacitor of 22 μF is required per phase. Use ceramic capacitors, X7R type; do not use Y5V or F. DC bias voltage characteristics of ceramic capacitors must be considered. The output filter capacitor smooths out current flow from the inductor to the load, helps maintain a steady output voltage during transient load changes and reduces output voltage ripple. These capacitors must be selected with sufficient capacitance and sufficiently low ESR and ESL to perform these functions. Minimum effective output capacitance to ensure good performance is 10 μF per phase including the DC voltage rolloff, tolerances, aging, and temperature effects.

The output voltage ripple is caused by the charging and discharging of the output capacitor and also due to its R_{ESR} . The R_{ESR} is frequency dependent (as well as temperature dependent); make sure the value used for selection process is at the switching frequency of the part. See [Table 10](#).

POL capacitors C_{POL_BUCKx} can be used to improve load transient performance and to decrease the ripple voltage. A higher output capacitance improves the load step behavior and reduces the output voltage ripple as well as decreases the PFM switching frequency. However, output capacitance higher than 150 μF per phase is not necessarily of any benefit. Note that the output capacitor may be the limiting factor in the output voltage ramp, see [Specifications](#) for maximum output capacitance for different slew-rate settings. For large output capacitors, the output voltage might be slower than the programmed ramp rate at voltage transitions, because of the higher energy stored on the output capacitance. Also at start-up, the time required to charge the output capacitor to target value might be longer. At shutdown the output voltage is discharged to 0.6 V level using forced-PWM operation. This can increase the input voltage if the load current is small and the output capacitor is large compared to input capacitor. Below 0.6 V level the output capacitor is discharged by the internal discharge resistor and with large capacitor more time is required to settle V_{OUT} down as a consequence of the increased time constant.

Table 10. Recommended Buck Output Capacitors (X7R Dielectric)

MANUFACTURER	PART NUMBER	VALUE	CASE SIZE	DIMENSIONS L x W x H (mm)	VOLTAGE RATING
Murata	GCM31CR71A226KE02	22 μF (10%)	1206	3.2 x 1.6 x 1.6	10 V

8.2.1.4 LDO Input Capacitor Selection

The input capacitors C_{IN_LDO0} and C_{IN_LDO1} are shown in the . A ceramic input capacitor of 2.2 μF , 6.3 V is sufficient for most applications. Place the input capacitor as close as possible to the VIN_LDOx pin and AGND pin of the device. A larger value or higher voltage rating improves the input voltage filtering. Use X7R type of capacitors, not Y5V or F. DC bias characteristics of capacitors must be considered, minimum effective input capacitance to ensure good performance is 0.6 μF per LDO input at maximum input voltage including tolerances, ambient temperature range and aging. See [Table 11](#).

Table 11. Recommended LDO Input Capacitors (X7R Dielectric)

MANUFACTURER	PART NUMBER	VALUE	CASE SIZE	DIMENSIONS L x W x H (mm)	VOLTAGE RATING
Murata	GCM188R70J225KE22	2.2 μ F (10%)	0603	1.6 x 0.8 x 0.8	6.3 V
Murata	GCM21BR71C475KA73	4.7 μ F (10%)	0805	2 x 1.25 x 1.25	16 V

8.2.1.5 LDO Output Capacitor Selection

The output capacitors C_{OUT_LDO0} and C_{OUT_LDO1} are shown in the [Typical Applications](#). A ceramic output capacitor of minimum 1.0 μ F is required. Place the output capacitor as close to the VOUT_LDOx pin and AGND pin of the device as possible. Use X7R type of capacitors, not Y5V or F. DC bias characteristics of capacitors must be considered, minimum effective output capacitance to ensure good performance is 0.4 μ F per LDO input at maximum input voltage including tolerances, ambient temperature range and aging. See [Table 12](#).

The output capacitance must be smaller than the input capacitance in order to ensure the stability of the LDO. With a 1- μ F output capacitor it is recommended to use at least 2.2- μ F input capacitor; with a 2.2- μ F output capacitor at least 4.7- μ F input capacitance.

The VANA input is used to supply analog and digital circuits in the device. See [Table 13](#) for recommended components from for VANA input supply filtering.

Table 12. Recommended LDO Output Capacitors (X7R Dielectric)

MANUFACTURER	PART NUMBER	VALUE	CASE SIZE	DIMENSIONS L x W x H (mm)	VOLTAGE RATING
Murata	GCM188R71C105KA64	1 μ F (10%)	0603	1.6 x 0.8 x 0.8	16 V
Murata	GCM188R70J225KE22	2.2 μ F (10%)	0603	1.6 x 0.8 x 0.8	6.3 V

Table 13. Recommended Supply Filtering Components

MANUFACTURER	PART NUMBER	VALUE	CASE SIZE	DIMENSIONS L x W x H (mm)	VOLTAGE RATING
Murata	GCM155R71C104KA55	100 nF (10%)	0402	1 x 0.5 x 0.5	16 V
Murata	GCM188R71C104KA37	100 nF (10%)	0603	1.6 x 0.8 x 0.8	16 V

8.2.1.6 Current Limit vs. Maximum Output Current

The inductor current ripple can be calculated using [Equation 1](#) and [Equation 2](#):

$$D = \frac{V_{OUT}}{V_{IN(max)} \times \eta} \quad (1)$$

$$\Delta I_L = \frac{(V_{IN(max)} - V_{OUT}) \times D}{f_{SW} \times L} \quad (2)$$

Example using [Equation 1](#) and [Equation 2](#):

$$V_{IN(max)} = 5.5 \text{ V}$$

$$V_{OUT} = 1 \text{ V}$$

$$\eta = 0.75$$

$$f_{SW} = 1.8 \text{ MHz}$$

$$L = 0.38 \text{ } \mu\text{H}$$

$$\text{then } D = 0.242 \text{ and } \Delta I_L = 1.59 \text{ A}$$

Peak current is half of the current ripple. If $I_{LIM_FWD_SET_OTP}$ is 3 A, the minimum forward current limit would be 2.85 A when taking the -5% tolerance into account. In this case the difference between set peak current and maximum load current = $0.795 \text{ A} + 0.15 \text{ A} = 0.945 \text{ A}$.

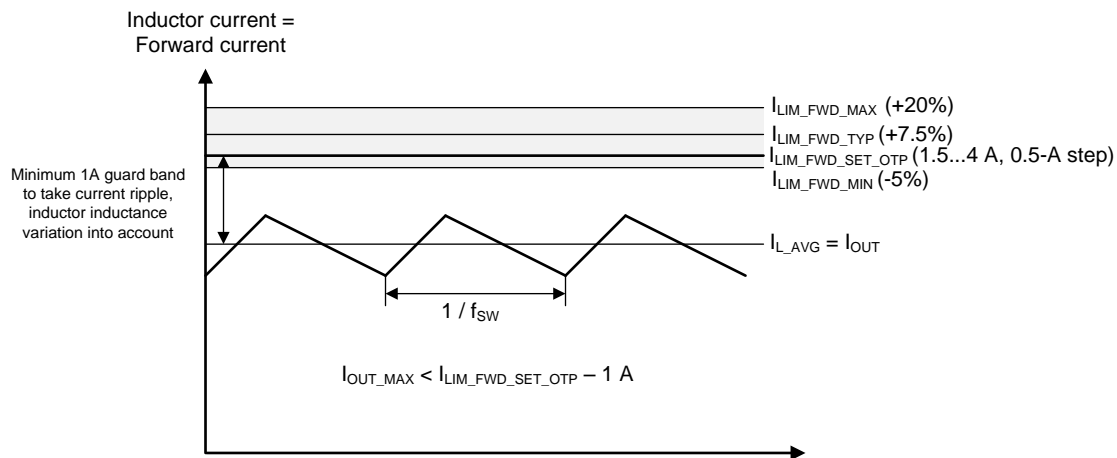


Figure 31. Current Limit vs Maximum Output Current

8.2.2 Detailed Design Procedure

The performance of the LP8733xx-Q1 device depends greatly on the care taken in designing the printed circuit board (PCB). The use of low-inductance and low serial-resistance ceramic capacitors is strongly recommended, while proper grounding is crucial. Attention must be given to decoupling the power supplies. Decoupling capacitors must be connected close to the device and between the power and ground pins to support high peak currents being drawn from system power rail during turnon of the switching MOSFETs. Keep input and output traces as short as possible, because trace inductance, resistance, and capacitance can easily become the performance limiting items. The separate buck regulator power pins VIN_Bx are not connected together internally. Connect the VIN_Bx power connections together outside the package using power plane construction.

8.2.3 Application Curves

Measurements are done using typical application set up with connections shown in [Typical Applications](#). Graphs may not reflect the OTP default settings. Unless otherwise specified: $V_{(VIN_Bx)} = V_{(VIN_LDOx)} = V_{(VANA)} = 3.7\text{ V}$, $V_{OUT_Bx} = 1\text{ V}$, $V_{OUT_LDOx} = 1\text{ V}$, $T_A = 25^\circ\text{C}$, $L = 0.47\text{ }\mu\text{H}$ (TOKO DFE252012PD-R47M), $C_{OUT_BUCK} = 22\text{ }\mu\text{F}$ / phase, and $C_{POL_BUCK} = 22\text{ }\mu\text{F}$, $C_{OUT_LDO} = 1\text{ }\mu\text{F}$.

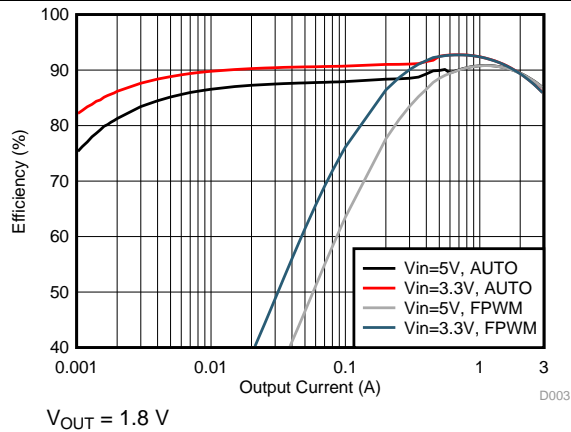


Figure 32. Buck Efficiency in PFM/PWM and Forced PWM Mode (Single-Phase Output)

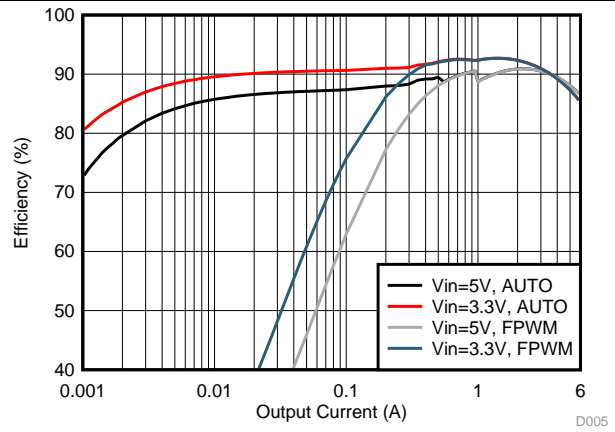


Figure 33. Buck Efficiency in PFM/PWM and Forced PWM Mode (Dual-Phase Output)

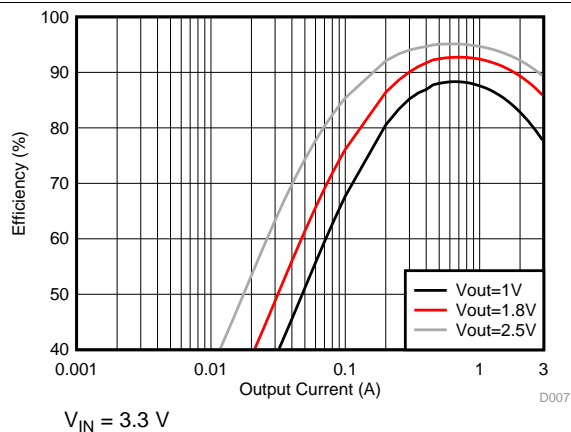


Figure 34. Buck Efficiency in Forced PWM Mode (Single-Phase Output)

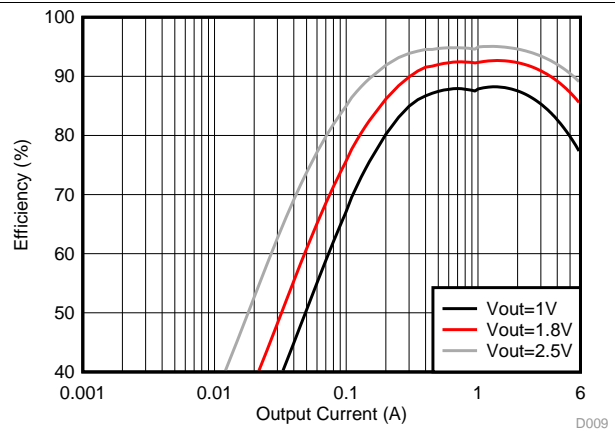


Figure 35. Buck Efficiency in Forced PWM Mode (Dual-Phase Output)

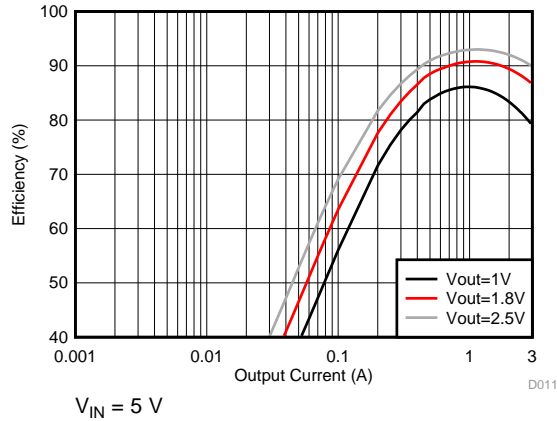


Figure 36. Buck Efficiency in Forced PWM Mode (Single-Phase Output)

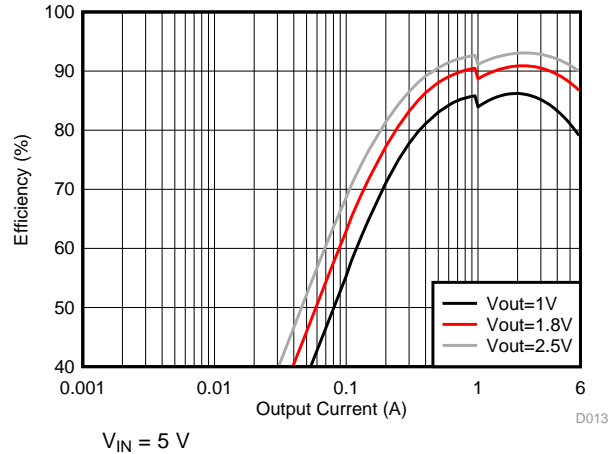


Figure 37. Buck Efficiency in Forced PWM Mode (Dual-Phase Output)

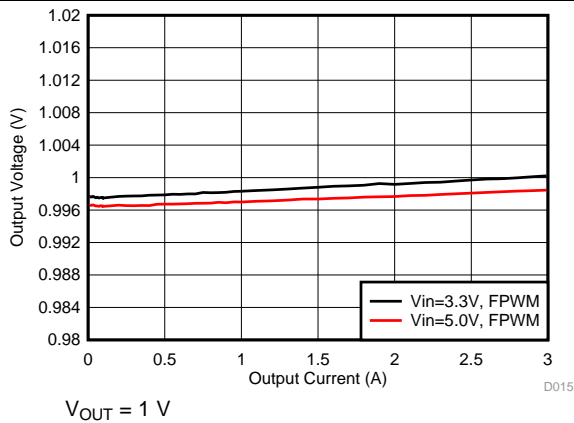


Figure 38. Buck Output Voltage vs Load Current in Forced PWM Mode (Single-Phase Output)

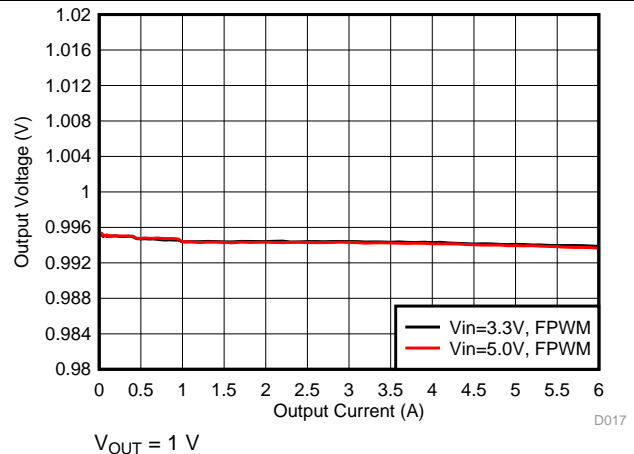


Figure 39. Buck Output Voltage vs Load Current in Forced PWM Mode (Dual-Phase Output)

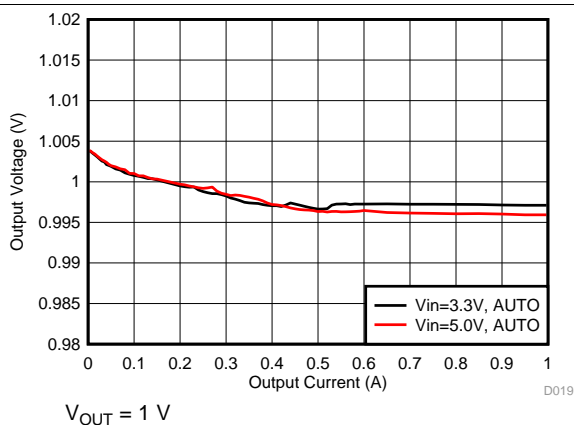


Figure 40. Buck Output Voltage vs Load Current in PFM/PWM Mode (Single-Phase Output)

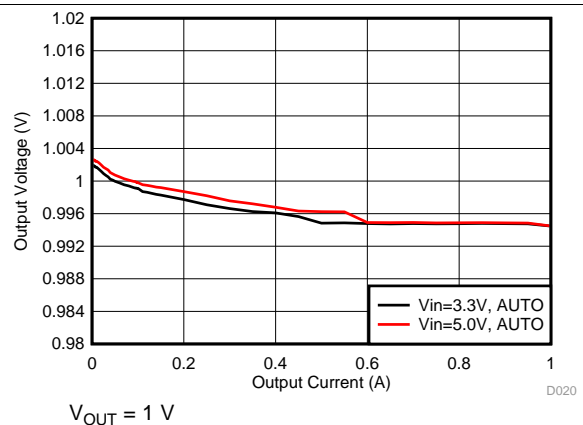


Figure 41. Buck Output Voltage vs Load Current in PFM/PWM Mode (Dual-Phase Output)

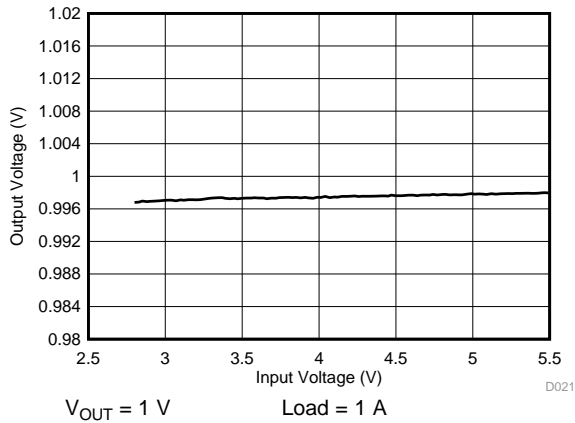


Figure 42. Buck Output Voltage vs Input Voltage in PWM Mode (Single-Phase Output)

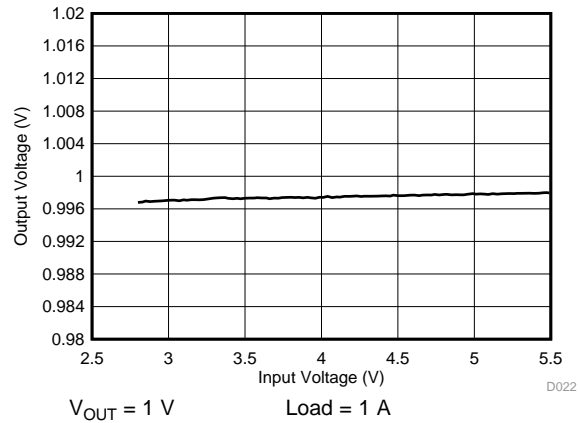


Figure 43. Buck Output Voltage vs Input Voltage in PWM Mode (Dual-Phase Output)

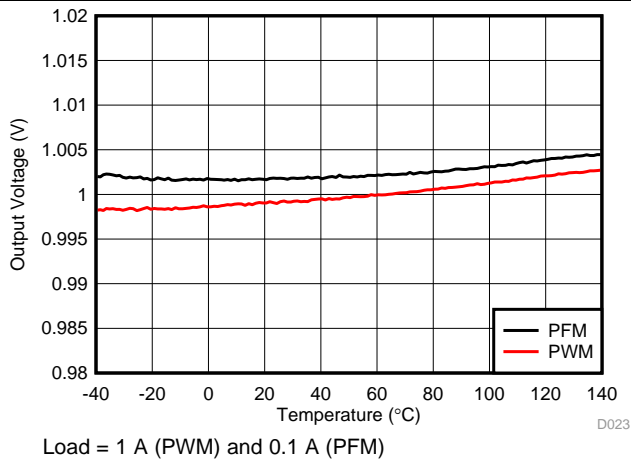


Figure 44. Buck Output Voltage vs Temperature

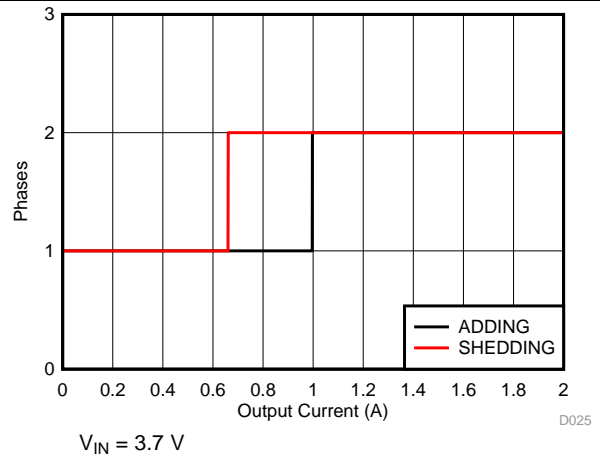


Figure 45. Buck Phase Adding and Shedding vs Load Current (Dual-Phase Output)

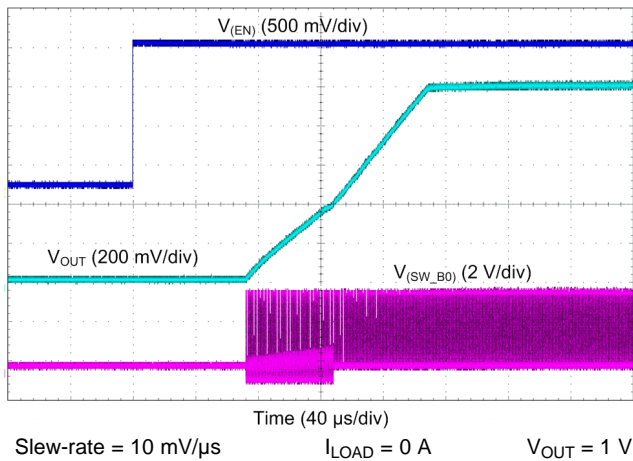


Figure 46. Buck Start-Up With EN1, Forced PWM Mode (Single-Phase Output)

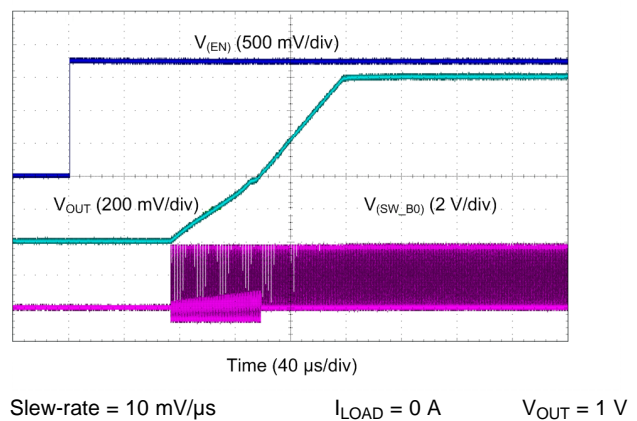


Figure 47. Buck Start-Up With EN1, Forced PWM Mode (Dual-Phase Output)

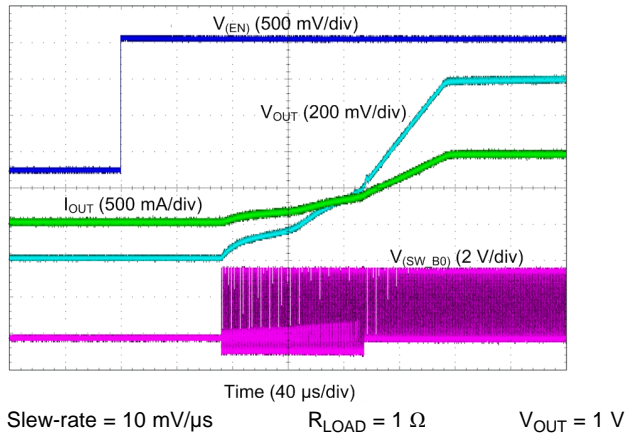


Figure 48. Buck Start-Up with EN1, Forced PWM Mode (Single-Phase Output)

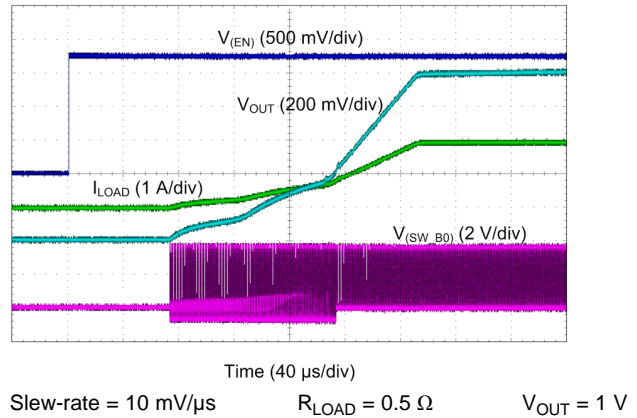


Figure 49. Buck Start-Up with EN1, Forced PWM Mode (Dual-Phase Output)

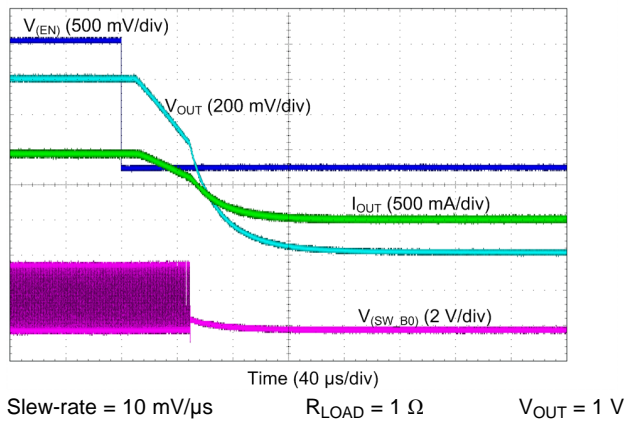


Figure 50. Buck Shutdown With EN1, Forced PWM Mode (Single-Phase Output)

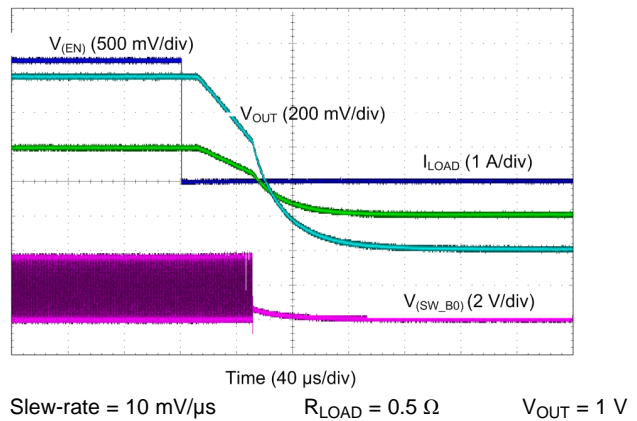


Figure 51. Buck Shutdown With EN1, Forced PWM Mode (Dual-Phase Output)

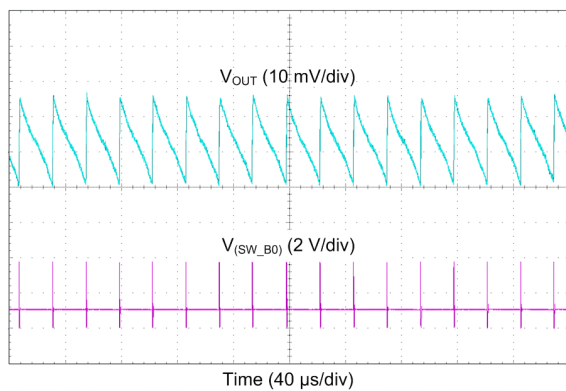


Figure 52. Buck Output Voltage Ripple, PFM Mode (Single-Phase Output)

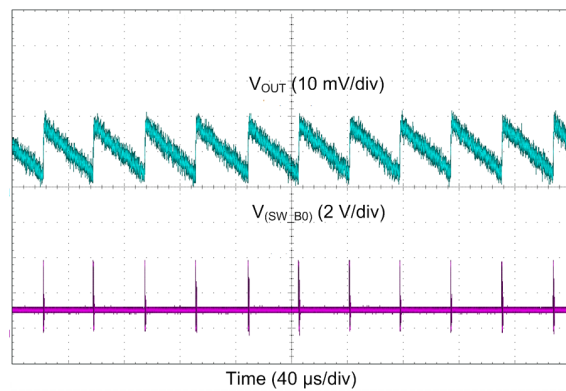
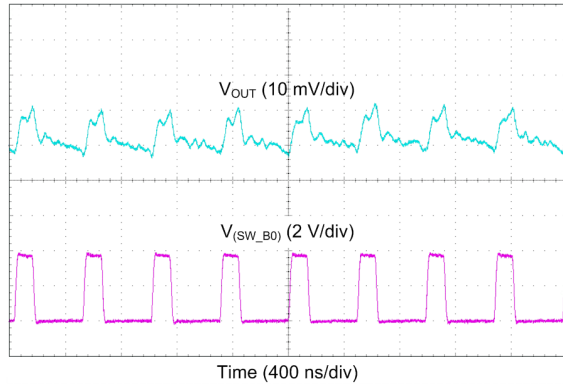
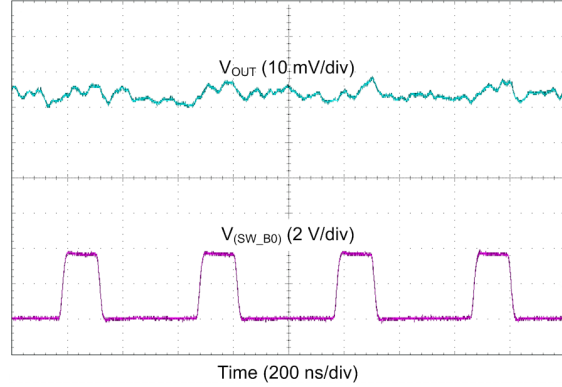


Figure 53. Buck Output Voltage Ripple, PFM Mode (Dual-Phase Output)



$I_{OUT} = 200 \text{ mA}$

Figure 54. Buck Output Voltage Ripple, Forced PWM Mode (Single-Phase Output)



$I_{OUT} = 200 \text{ mA}$

Figure 55. Buck Output Voltage Ripple, Forced PWM Mode (Dual-Phase Output)

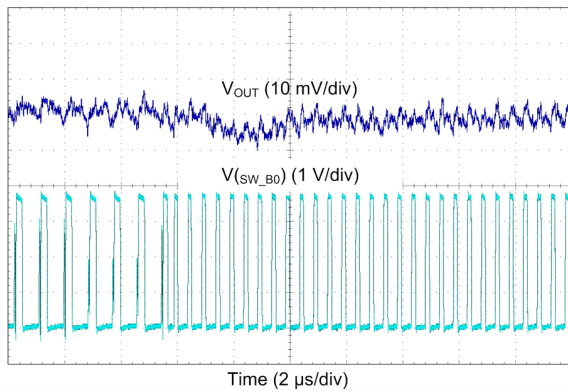


Figure 56. Buck Transient From PFM-to-PWM Mode (Single-Phase Output)

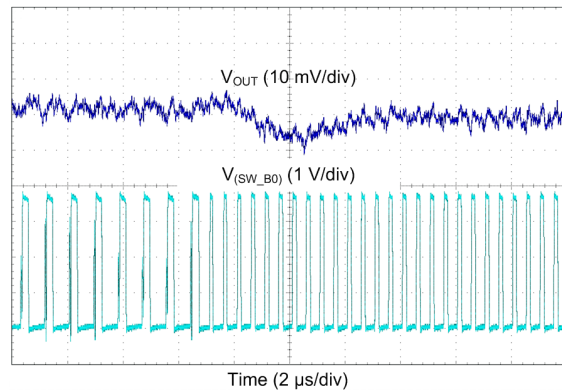


Figure 57. Buck Transient From PFM-to-PWM Mode (Dual-Phase Output)

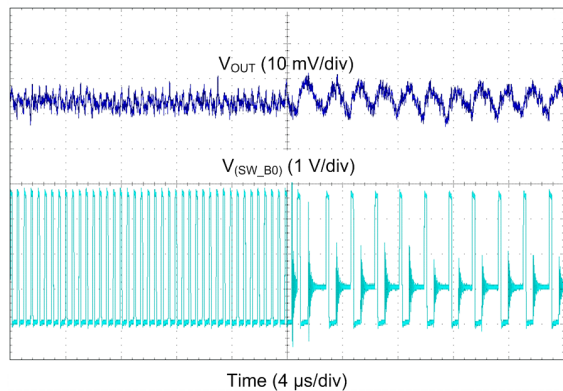


Figure 58. Buck Transient From PWM-to-PFM Mode (Single-Phase Output)

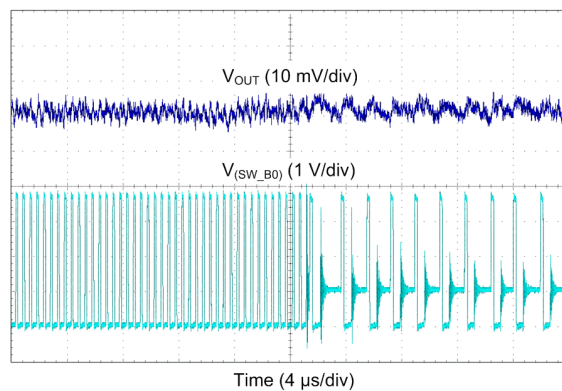


Figure 59. Buck Transient From PWM-to-PFM Mode (Dual-Phase Output)

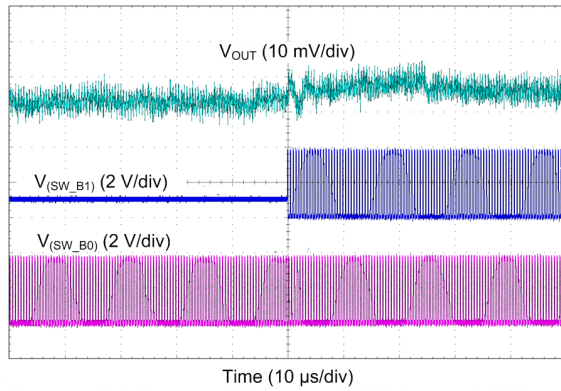


Figure 60. Buck Transient From 1-Phase to 2-Phase Operation (Dual-Phase Output)

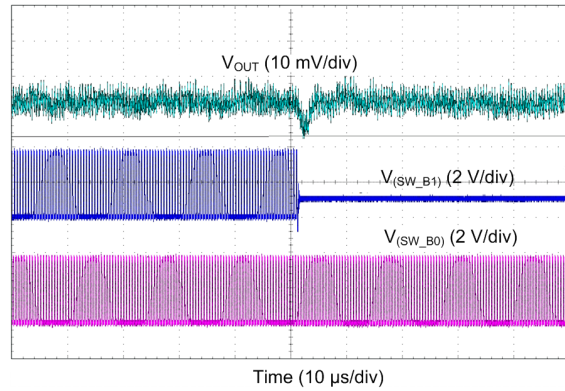
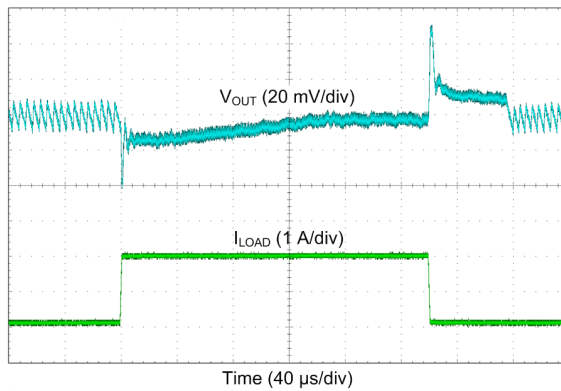
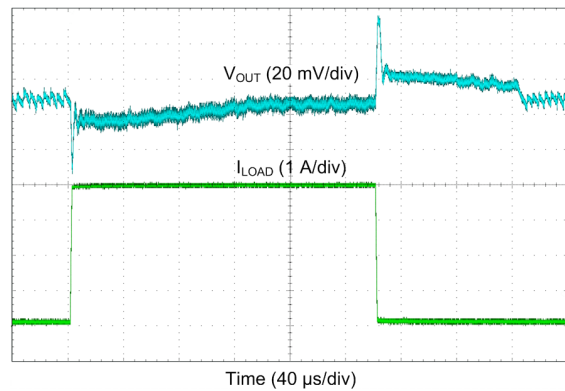


Figure 61. Buck Transient From 2-Phase to 1-Phase Operation (Dual-Phase Output)



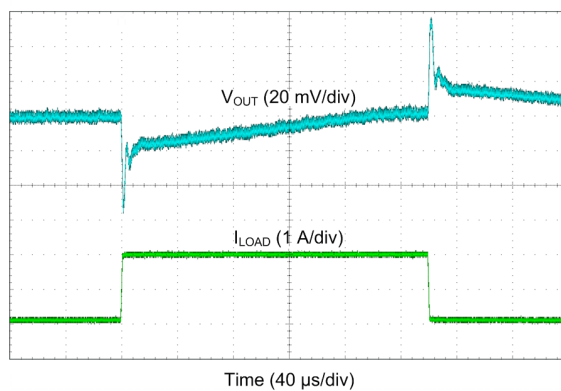
$I_{OUT} = 0.1 \text{ A} \rightarrow 2 \text{ A} \rightarrow 0.1 \text{ A}$ $T_R = T_F = 400 \text{ ns}$

Figure 62. Buck Transient Load Step Response, AUTO Mode (Single-Phase Output)



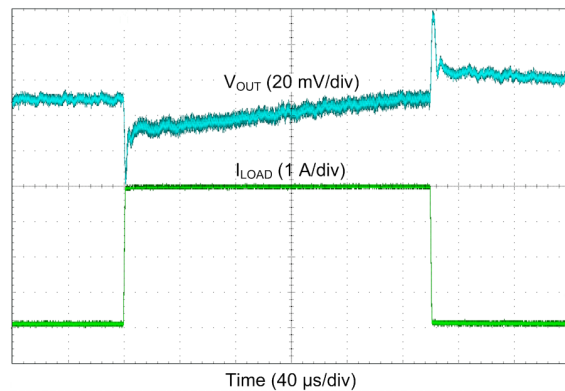
$I_{OUT} = 0.1 \text{ A} \rightarrow 4 \text{ A} \rightarrow 0.1 \text{ A}$ $T_R = T_F = 400 \text{ ns}$

Figure 63. Buck Transient Load Step Response, AUTO Mode (Dual-Phase Output)



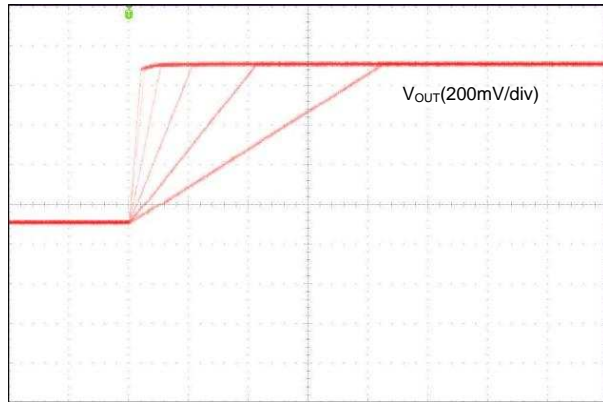
$I_{OUT} = 0.1 \text{ A} \rightarrow 2 \text{ A} \rightarrow 0.1 \text{ A}$ $T_R = T_F = 400 \text{ ns}$

Figure 64. Buck Transient Load Step Response, Forced PWM Mode (Single-Phase Output)



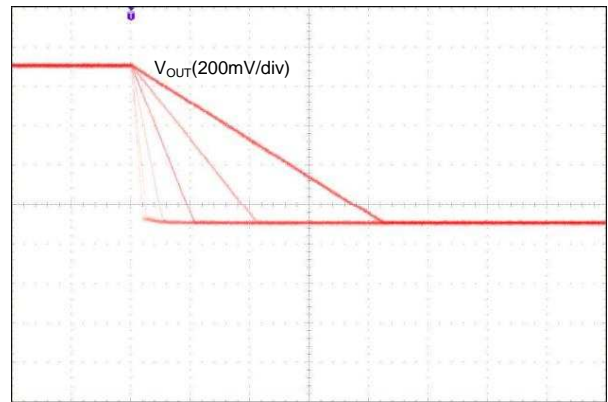
$I_{OUT} = 0.1 \text{ A} \rightarrow 4 \text{ A} \rightarrow 0.1 \text{ A}$ $T_R = T_F = 400 \text{ ns}$

Figure 65. Buck Transient Load Step Response, Forced PWM Mode (Dual-Phase Output)



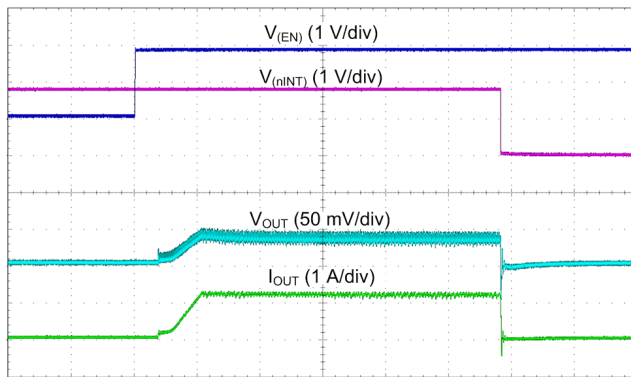
Time (400 µs/div)

Figure 66. Buck V_{OUT} Transition from 0.6 V to 1.4 V With Different Slew Rate Settings



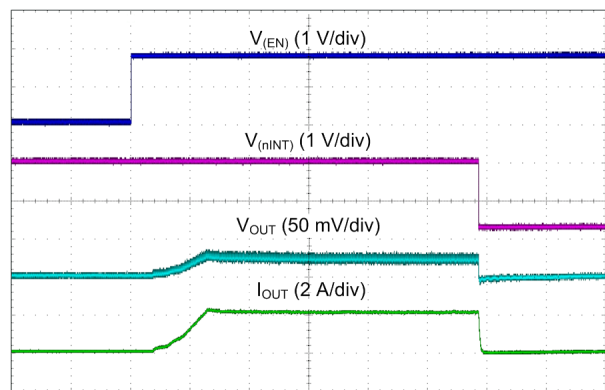
Time (400 µs/div)

Figure 67. Buck V_{OUT} Transition from 1.4 V to 0.6 V With Different Slew Rate Settings



Time (200 µs/div)

Figure 68. Buck Start-up With Short on Output (Single-Phase Output)



Time (200 µs/div)

Figure 69. Buck Start-up With Short on Output (Dual-Phase Output)

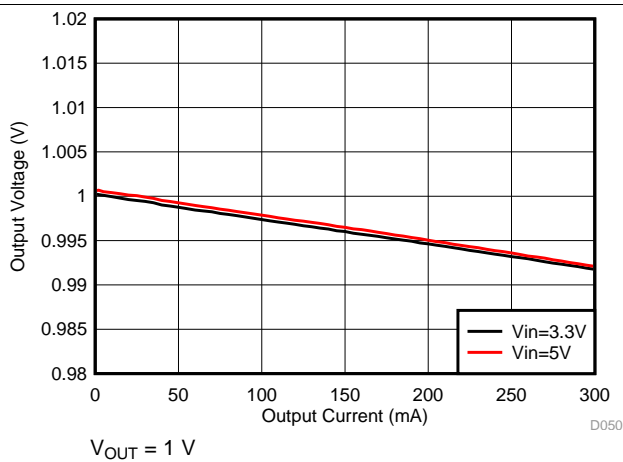


Figure 70. LDO Output Voltage vs Load Current

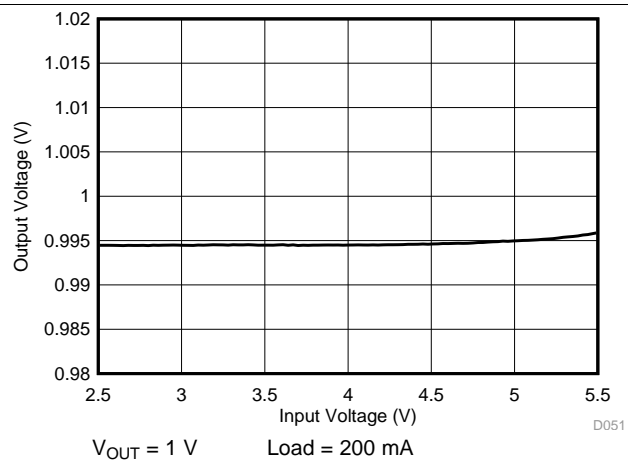


Figure 71. LDO Output Voltage vs Input Voltage

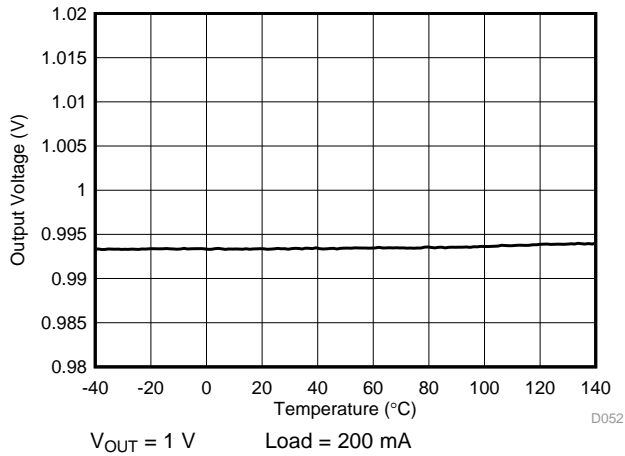


Figure 72. LDO Output Voltage vs Temperature

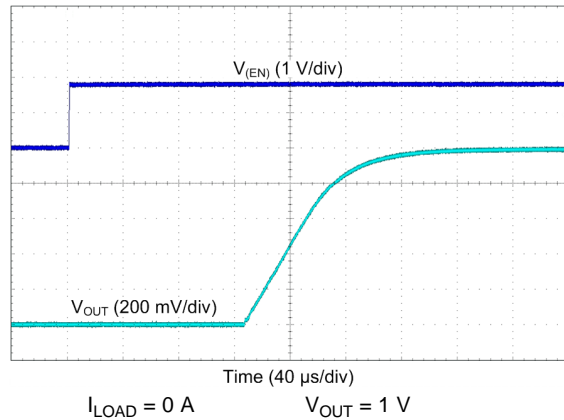


Figure 73. LDO Start-Up

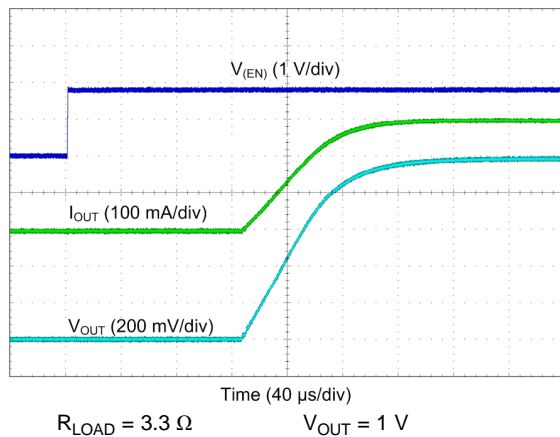


Figure 74. LDO Start-Up

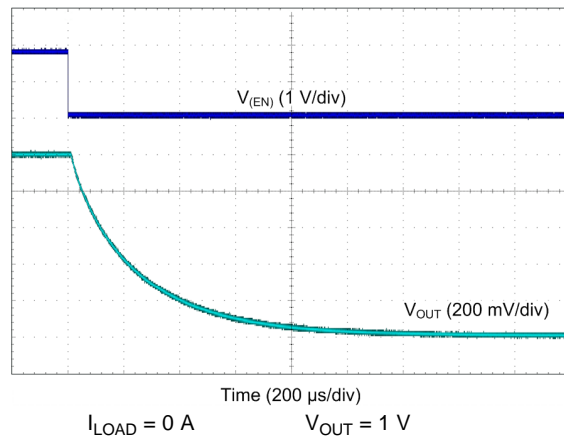


Figure 75. LDO Shutdown

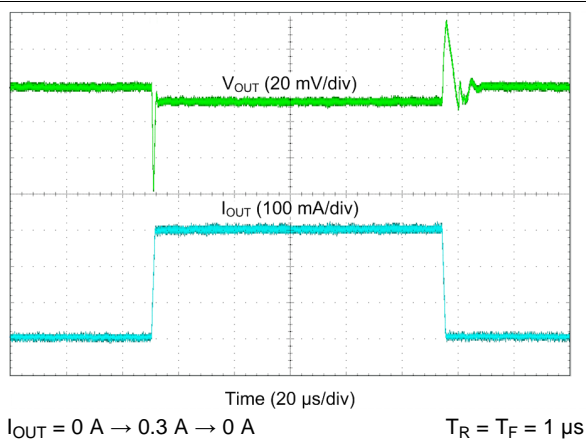


Figure 76. LDO Transient Load Step Response

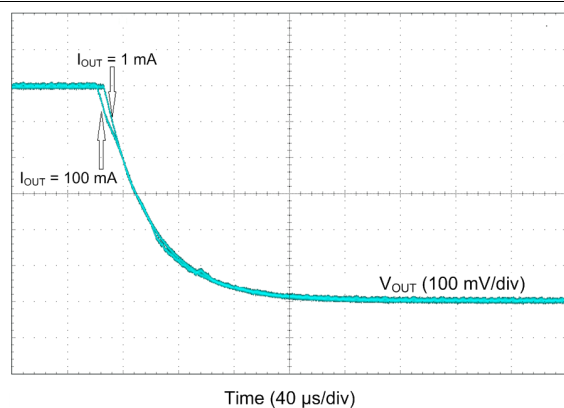
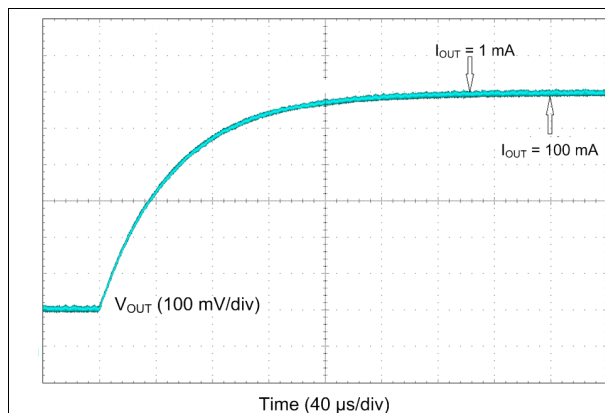
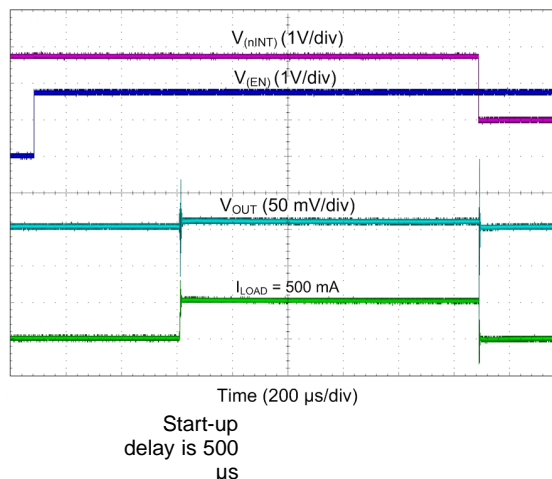


Figure 77. LDO V_{OUT} Transition from 1.8 V to 1.2 V


Figure 78. LDO V_{OUT} Transition from 1.2 V to 1.8 V

Figure 79. LDO Start-Up With Short on Output

9 Power Supply Recommendations

The device is designed to operate from an input voltage supply range between 2.8 V and 5.5 V. The VANA input and VIN_Bx buck inputs must be connected together, and they must use the same input supply. This input supply must be well regulated and able to withstand maximum input current and maintain stable voltage without voltage drop even at load transition condition. The resistance of the input supply rail must be low enough that the input current transient does not cause too high a drop in the LP8733xx-Q1 supply voltage that can cause false UVLO fault triggering. If the input supply is located more than a few inches from the LP8733xx-Q1 additional bulk capacitance may be required in addition to the ceramic bypass capacitors. The VIN_LDOx LDO input supply voltage range is 2.5 V to 5.5 V and can be higher or lower than VANA supply voltage.

10 Layout

10.1 Layout Guidelines

The high frequency and large switching currents of the LP8733xx-Q1 make the choice of layout important. Good power supply results only occur when care is given to proper design and layout. Layout affects noise pickup and generation and can cause a good design to perform with less-than-expected results. With a range of output currents from milliamps to several amps, good power supply layout is much more difficult than most general PCB design. Use the following steps as a reference to ensure the device is stable and maintains proper voltage and current regulation across its intended operating voltage and current range.

1. Place C_{IN} as close as possible to the VIN_Bx pin and the PGND_Bx pin. Route the V_{IN} trace wide and thick to avoid IR drops. The trace between the positive node of the input capacitor and the VIN_Bx pin(s) of LP8733xx-Q1, as well as the trace between the negative node of the input capacitor and power PGND_Bx pin(s), must be kept as short as possible. The input capacitance provides a low-impedance voltage source for the switching converter. The inductance of the connection is the most important parameter of a local decoupling capacitor — parasitic inductance on these traces must be kept as small as possible for proper device operation. The parasitic inductance can be reduced by using a ground plane as close as possible to top layer by using thin dielectric layer between top layer and ground plane.
2. The output filter, consisting of L and C_{OUT} , converts the switching signal at SW_Bx to the noiseless output voltage. It must be placed as close as possible to the device keeping the switch node small, for best EMI behavior. Route the traces between the output capacitors of the LP8733xx-Q1 and the input capacitors of the load direct and wide to avoid losses due to the IR drop.
3. Input for analog blocks (VANA and AGND) must be isolated from noisy signals. Connect VANA directly to a quiet system voltage node and AGND to a quiet ground point where no IR drop occurs. Place the decoupling capacitor as close as possible to the VANA pin.

Layout Guidelines (continued)

4. If remote voltage sensing can be used for the load, connect the LP8733xx-Q1 feedback pins FB_Bx to the respective sense pins on the load capacitor. The sense lines are susceptible to noise. They must be kept away from noisy signals such as PGND_Bx, VIN_Bx, and SW_Bx, as well as high bandwidth signals such as the I²C. Avoid both capacitive and inductive coupling by keeping the sense lines short and direct, and close to each other. Run the lines in a quiet layer. Isolate them from noisy signals by a voltage or ground plane if possible. If series resistors are used for load current measurement, place them after connection of the voltage feedback.
5. PGND_Bx, VIN_Bx and SW_Bx must be routed on thick layers. They must not surround inner signal layers which are not able to withstand interference from noisy PGND_Bx, VIN_Bx and SW_Bx.
6. LDO performance (PSRR, noise and transient response) depend on the layout of the PCB. Best performance is achieved by placing CIN and COUT as close to the LP8733xx-Q1 device as practical. The ground connections for CIN and COUT must be back to the LP8733xx-Q1 AGND with as wide and as short of a copper trace as is practical and with multiple vias if routing is done on other layer. Avoid connections using long trace lengths, narrow trace widths, or connection through small via. These add parasitic inductances and resistance that results in inferior performance especially during transient conditions.

Due to the small package of this converter and the overall small solution size, the thermal performance of the PCB layout is important. Many system-dependent issues such as thermal coupling, airflow, added heat sinks and convection surfaces, and the presence of other heat-generating components affect the power dissipation limits of a given component. Proper PCB layout, focusing on thermal performance, results in lower die temperatures. Wide power traces come with the ability to sink dissipated heat. This can be improved further on multi-layer PCB designs with vias to different planes. This results in reduced junction-to-ambient ($R_{\theta JA}$) and junction-to-board ($R_{\theta JB}$) thermal resistances, thereby reducing the device junction temperature, T_J . TI strongly recommends performance of a careful system-level 2D or full 3D dynamic thermal analysis at the beginning product design process by using a thermal modeling analysis software.

10.2 Layout Example

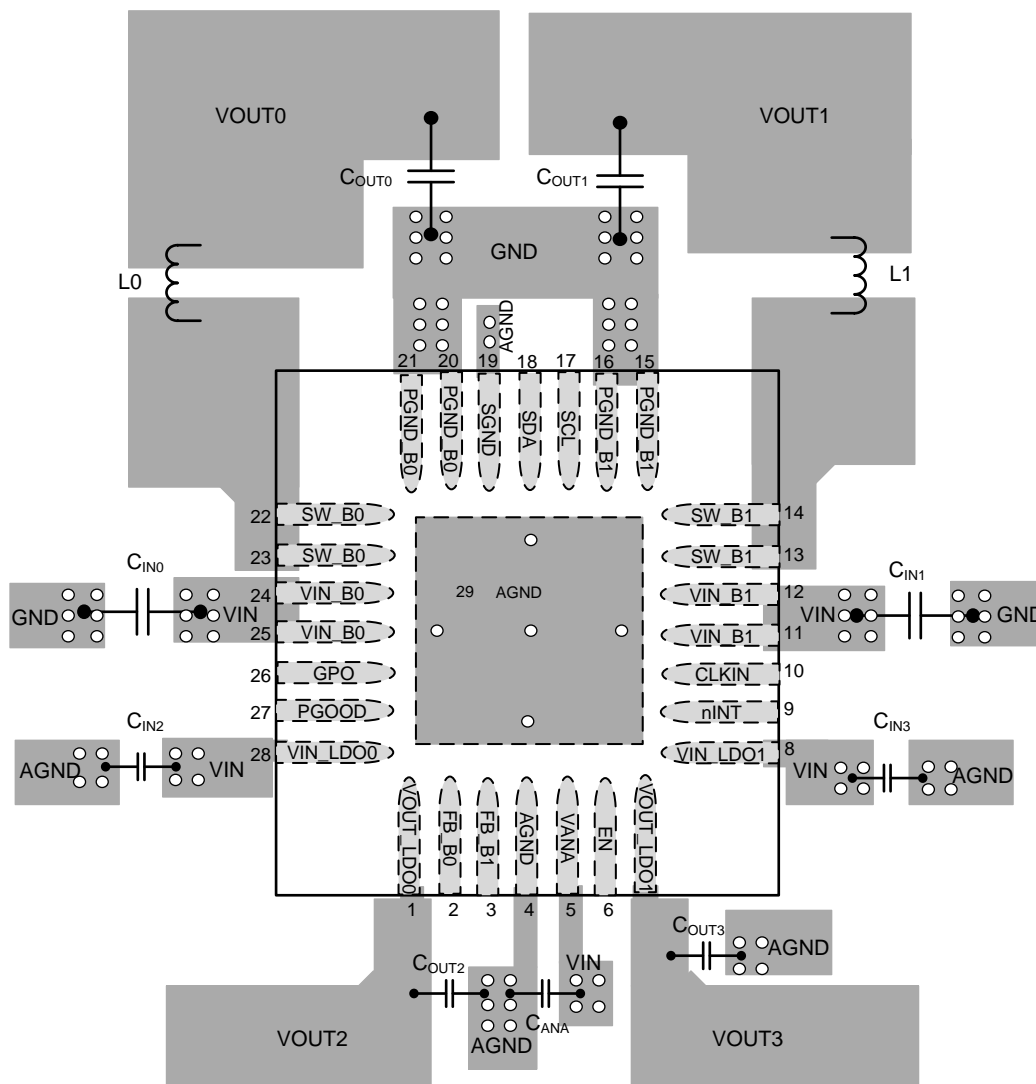


Figure 80. LP8733xx-Q1 Board Layout

In dual-phase buck configuration short VOUT0 and VOUT1 together.

11 Device and Documentation Support

11.1 Device Support

11.1.1 Third-Party Products Disclaimer

TI'S PUBLICATION OF INFORMATION REGARDING THIRD-PARTY PRODUCTS OR SERVICES DOES NOT CONSTITUTE AN ENDORSEMENT REGARDING THE SUITABILITY OF SUCH PRODUCTS OR SERVICES OR A WARRANTY, REPRESENTATION OR ENDORSEMENT OF SUCH PRODUCTS OR SERVICES, EITHER ALONE OR IN COMBINATION WITH ANY TI PRODUCT OR SERVICE.

11.2 Receiving Notification of Documentation Updates

To receive notification of documentation updates, navigate to the device product folder on ti.com. In the upper right corner, click on *Alert me* to register and receive a weekly digest of any product information that has changed. For change details, review the revision history included in any revised document.

11.3 Community Resources

The following links connect to TI community resources. Linked contents are provided "AS IS" by the respective contributors. They do not constitute TI specifications and do not necessarily reflect TI's views; see TI's [Terms of Use](#).

TI E2E™ Online Community *TI's Engineer-to-Engineer (E2E) Community*. Created to foster collaboration among engineers. At e2e.ti.com, you can ask questions, share knowledge, explore ideas and help solve problems with fellow engineers.

Design Support *TI's Design Support* Quickly find helpful E2E forums along with design support tools and contact information for technical support.

11.4 Trademarks

E2E is a trademark of Texas Instruments.
All other trademarks are the property of their respective owners.

11.5 Electrostatic Discharge Caution



This integrated circuit can be damaged by ESD. Texas Instruments recommends that all integrated circuits be handled with appropriate precautions. Failure to observe proper handling and installation procedures can cause damage.

ESD damage can range from subtle performance degradation to complete device failure. Precision integrated circuits may be more susceptible to damage because very small parametric changes could cause the device not to meet its published specifications.

11.6 Glossary

[SLYZ022](#) — *TI Glossary*.

This glossary lists and explains terms, acronyms, and definitions.

12 Mechanical, Packaging, and Orderable Information

The following pages include mechanical, packaging, and orderable information. This information is the most current data available for the designated devices. This data is subject to change without notice and revision of this document. For browser-based versions of this data sheet, refer to the left-hand navigation.

PACKAGING INFORMATION

Orderable Device	Status (1)	Package Type	Package Drawing	Pins	Package Qty	Eco Plan (2)	Lead/Ball Finish (6)	MSL Peak Temp (3)	Op Temp (°C)	Device Marking (4/5)	Samples
LP873300RHDRQ1	ACTIVE	VQFN	RHD	28	3000	Green (RoHS & no Sb/Br)	SN	Level-2-260C-1 YEAR	-40 to 125	LP8733 00-Q1	Samples
LP873300RHDTQ1	ACTIVE	VQFN	RHD	28	250	Green (RoHS & no Sb/Br)	SN	Level-2-260C-1 YEAR	-40 to 125	LP8733 00-Q1	Samples

(1) The marketing status values are defined as follows:

ACTIVE: Product device recommended for new designs.

LIFEBUY: TI has announced that the device will be discontinued, and a lifetime-buy period is in effect.

NRND: Not recommended for new designs. Device is in production to support existing customers, but TI does not recommend using this part in a new design.

PREVIEW: Device has been announced but is not in production. Samples may or may not be available.

OBsolete: TI has discontinued the production of the device.

(2) **RoHS:** TI defines "RoHS" to mean semiconductor products that are compliant with the current EU RoHS requirements for all 10 RoHS substances, including the requirement that RoHS substance do not exceed 0.1% by weight in homogeneous materials. Where designed to be soldered at high temperatures, "RoHS" products are suitable for use in specified lead-free processes. TI may reference these types of products as "Pb-Free".

RoHS Exempt: TI defines "RoHS Exempt" to mean products that contain lead but are compliant with EU RoHS pursuant to a specific EU RoHS exemption.

Green: TI defines "Green" to mean the content of Chlorine (Cl) and Bromine (Br) based flame retardants meet JS709B low halogen requirements of <=1000ppm threshold. Antimony trioxide based flame retardants must also meet the <=1000ppm threshold requirement.

(3) MSL, Peak Temp. - The Moisture Sensitivity Level rating according to the JEDEC industry standard classifications, and peak solder temperature.

(4) There may be additional marking, which relates to the logo, the lot trace code information, or the environmental category on the device.

(5) Multiple Device Markings will be inside parentheses. Only one Device Marking contained in parentheses and separated by a "-" will appear on a device. If a line is indented then it is a continuation of the previous line and the two combined represent the entire Device Marking for that device.

(6) Lead/Ball Finish - Orderable Devices may have multiple material finish options. Finish options are separated by a vertical ruled line. Lead/Ball Finish values may wrap to two lines if the finish value exceeds the maximum column width.

Important Information and Disclaimer:The information provided on this page represents TI's knowledge and belief as of the date that it is provided. TI bases its knowledge and belief on information provided by third parties, and makes no representation or warranty as to the accuracy of such information. Efforts are underway to better integrate information from third parties. TI has taken and continues to take reasonable steps to provide representative and accurate information but may not have conducted destructive testing or chemical analysis on incoming materials and chemicals. TI and TI suppliers consider certain information to be proprietary, and thus CAS numbers and other limited information may not be available for release.

In no event shall TI's liability arising out of such information exceed the total purchase price of the TI part(s) at issue in this document sold by TI to Customer on an annual basis.

OTHER QUALIFIED VERSIONS OF LP8733-Q1 :

- Catalog: [LP8733](#)

NOTE: Qualified Version Definitions:

- Catalog - TI's standard catalog product

TAPE AND REEL INFORMATION



QUADRANT ASSIGNMENTS FOR PIN 1 ORIENTATION IN TAPE



*All dimensions are nominal

Device	Package Type	Package Drawing	Pins	SPQ	Reel Diameter (mm)	Reel Width W1 (mm)	A0 (mm)	B0 (mm)	K0 (mm)	P1 (mm)	W (mm)	Pin1 Quadrant
LP873300RHDRQ1	VQFN	RHD	28	3000	330.0	12.4	5.25	5.25	1.1	8.0	12.0	Q2
LP873300RHDTQ1	VQFN	RHD	28	250	180.0	12.4	5.25	5.25	1.1	8.0	12.0	Q2

TAPE AND REEL BOX DIMENSIONS



*All dimensions are nominal

Device	Package Type	Package Drawing	Pins	SPQ	Length (mm)	Width (mm)	Height (mm)
LP873300RHDRQ1	VQFN	RHD	28	3000	370.0	355.0	55.0
LP873300RHDTQ1	VQFN	RHD	28	250	220.0	205.0	50.0

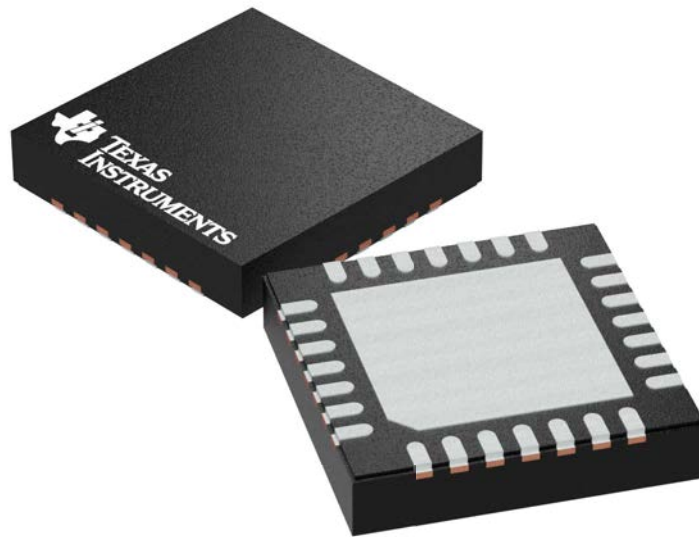
GENERIC PACKAGE VIEW

RHD 28

VQFN - 1 mm max height

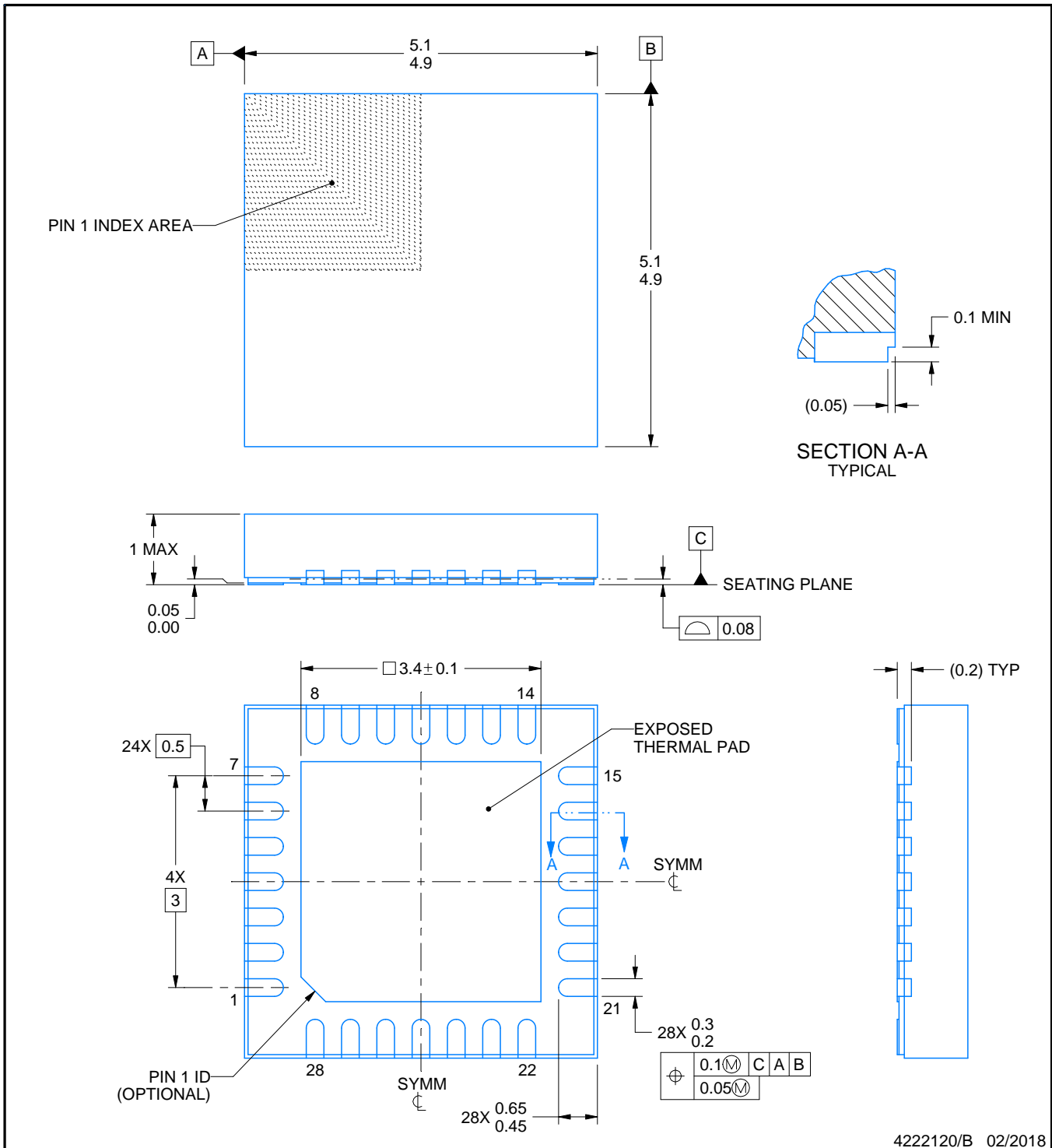
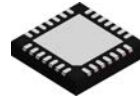
5 x 5 mm, 0.5 mm pitch

PLASTIC QUAD FLATPACK - NO LEAD



Images above are just a representation of the package family, actual package may vary.
Refer to the product data sheet for package details.

4204400/G



NOTES:

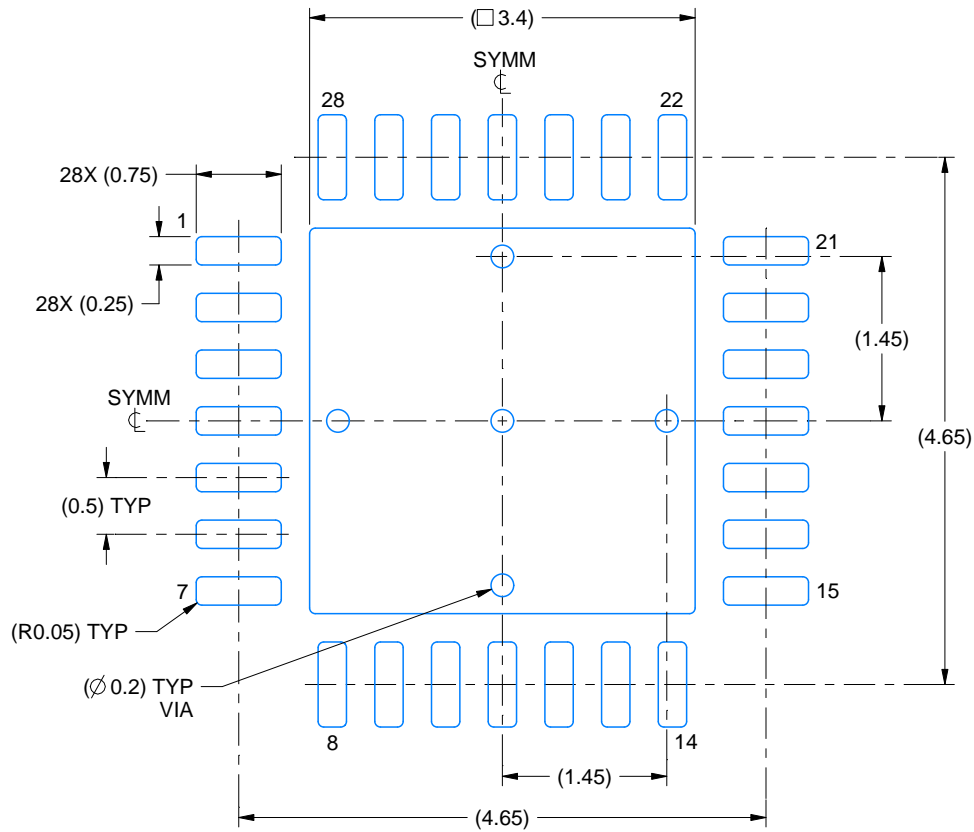
1. All linear dimensions are in millimeters. Any dimensions in parenthesis are for reference only. Dimensioning and tolerancing per ASME Y14.5M.
2. This drawing is subject to change without notice.
3. The package thermal pad must be soldered to the printed circuit board for thermal and mechanical performance.

EXAMPLE BOARD LAYOUT

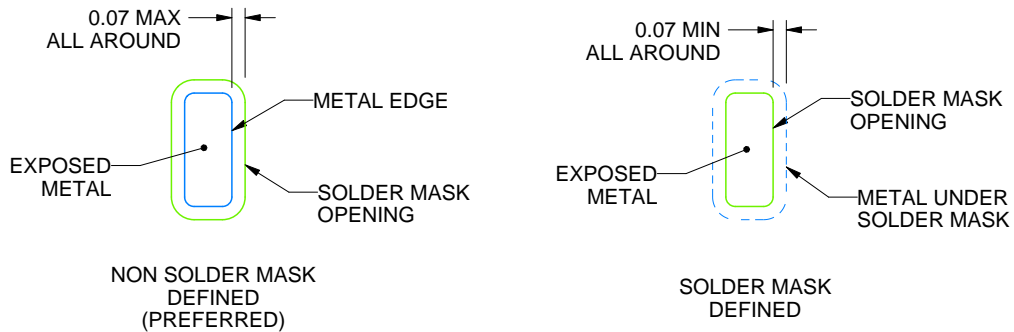
RHD0028W

VQFN - 1 mm max height

PLASTIC QUAD FLATPACK - NO LEAD



LAND PATTERN EXAMPLE
EXPOSED METAL SHOWN
SCALE:15X



SOLDER MASK DETAILS

4222120/B 02/2018

NOTES: (continued)

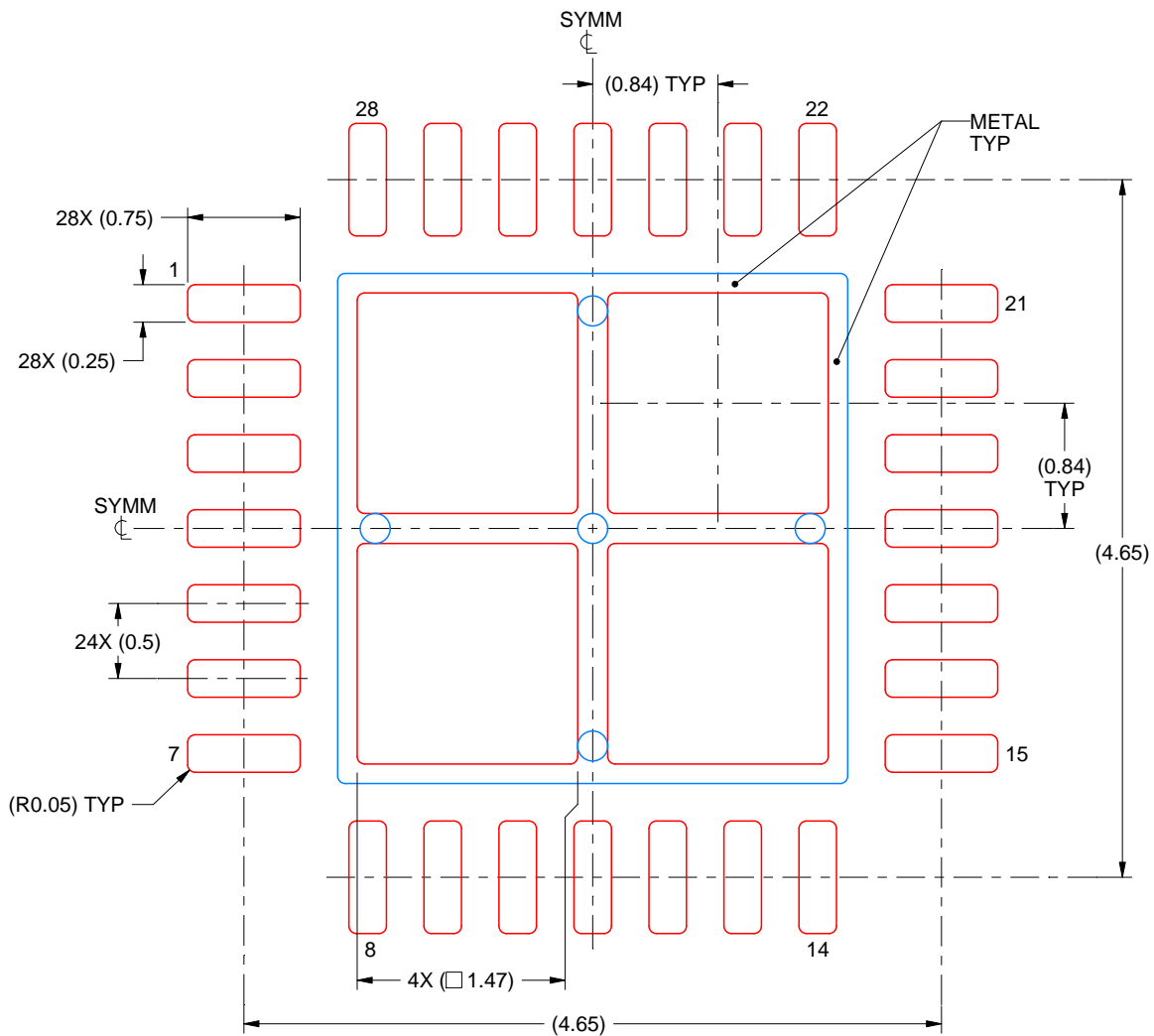
- This package is designed to be soldered to a thermal pad on the board. For more information, see Texas Instruments literature number SLUA271 (www.ti.com/lit/slua271).

EXAMPLE STENCIL DESIGN

RHD0028W

VQFN - 1 mm max height

PLASTIC QUAD FLATPACK - NO LEAD



SOLDER PASTE EXAMPLE
BASED ON 0.125 mm THICK STENCIL
EXPOSED PAD
75% PRINTED SOLDER COVERAGE BY AREA
SCALE:20X

4222120/B 02/2018

NOTES: (continued)

5. Laser cutting apertures with trapezoidal walls and rounded corners may offer better paste release. IPC-7525 may have alternate design recommendations.

IMPORTANT NOTICE AND DISCLAIMER

TI PROVIDES TECHNICAL AND RELIABILITY DATA (INCLUDING DATASHEETS), DESIGN RESOURCES (INCLUDING REFERENCE DESIGNS), APPLICATION OR OTHER DESIGN ADVICE, WEB TOOLS, SAFETY INFORMATION, AND OTHER RESOURCES "AS IS" AND WITH ALL FAULTS, AND DISCLAIMS ALL WARRANTIES, EXPRESS AND IMPLIED, INCLUDING WITHOUT LIMITATION ANY IMPLIED WARRANTIES OF MERCHANTABILITY, FITNESS FOR A PARTICULAR PURPOSE OR NON-INFRINGEMENT OF THIRD PARTY INTELLECTUAL PROPERTY RIGHTS.

These resources are intended for skilled developers designing with TI products. You are solely responsible for (1) selecting the appropriate TI products for your application, (2) designing, validating and testing your application, and (3) ensuring your application meets applicable standards, and any other safety, security, or other requirements. These resources are subject to change without notice. TI grants you permission to use these resources only for development of an application that uses the TI products described in the resource. Other reproduction and display of these resources is prohibited. No license is granted to any other TI intellectual property right or to any third party intellectual property right. TI disclaims responsibility for, and you will fully indemnify TI and its representatives against, any claims, damages, costs, losses, and liabilities arising out of your use of these resources.

TI's products are provided subject to TI's Terms of Sale (www.ti.com/legal/termsofsale.html) or other applicable terms available either on ti.com or provided in conjunction with such TI products. TI's provision of these resources does not expand or otherwise alter TI's applicable warranties or warranty disclaimers for TI products.

Mailing Address: Texas Instruments, Post Office Box 655303, Dallas, Texas 75265
Copyright © 2020, Texas Instruments Incorporated

Данный компонент на территории Российской Федерации

Вы можете приобрести в компании MosChip.

Для оперативного оформления запроса Вам необходимо перейти по данной ссылке:

<http://moschip.ru/get-element>

Вы можете разместить у нас заказ для любого Вашего проекта, будь то серийное производство или разработка единичного прибора.

В нашем ассортименте представлены ведущие мировые производители активных и пассивных электронных компонентов.

Нашей специализацией является поставка электронной компонентной базы двойного назначения, продукции таких производителей как XILINX, Intel (ex.ALTERA), Vicor, Microchip, Texas Instruments, Analog Devices, Mini-Circuits, Amphenol, Glenair.

Сотрудничество с глобальными дистрибьюторами электронных компонентов, предоставляет возможность заказывать и получать с международных складов практически любой перечень компонентов в оптимальные для Вас сроки.

На всех этапах разработки и производства наши партнеры могут получить квалифицированную поддержку опытных инженеров.

Система менеджмента качества компании отвечает требованиям в соответствии с ГОСТ Р ИСО 9001, ГОСТ РВ 0015-002 и ЭС РД 009

Офис по работе с юридическими лицами:

105318, г.Москва, ул.Щербаковская д.3, офис 1107, 1118, ДЦ «Щербаковский»

Телефон: +7 495 668-12-70 (многоканальный)

Факс: +7 495 668-12-70 (доб.304)

E-mail: info@moschip.ru

Skype отдела продаж:

moschip.ru

moschip.ru_4

moschip.ru_6

moschip.ru_9