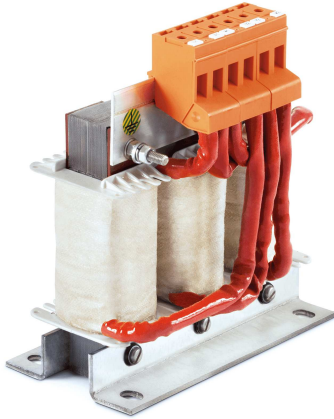


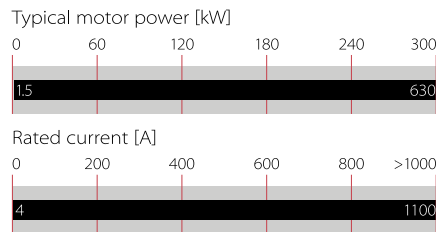
# Three-phase dv/dt Reactor for Efficient Motor Protection



- Reduction of drive output voltage dv/dt
- Reduction of motor temperature
- Increase of motor service life
- Compact and economic open frame design
- Standard catalog reactors up to 1100 A
- UL rated materials used



### Performance indicators



### Approvals



UL 508C up to 182 A. For use with AC or DC drives (power conversion equipment) only

### Features and benefits

- Efficient reduction of high output voltage dv/dt from IGBT motor drives
- Protection of motor coil insulation from premature aging and destruction
- Significantly increased service life of electric motors
- High reliability and secured production up time for mission critical applications
- Reduced converter pulse load
- Less interference propagation towards neighboring equipment of lines
- „Output filter“ with low impedance, ideal for processes requiring exceptional precision and reproducibility of movements
- Vacuum impregnation for reduced humming noise and high durability

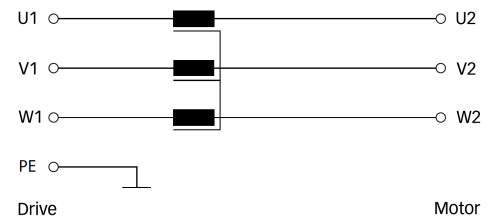
### Technical specifications

|  |  |
|--|--|
| <b>Maximum continuous operating voltage</b>      | 3 x 500/288 VAC  |
| <b>Motor frequency</b>                           | 60 Hz  |
| <b>Switching frequency</b>                       | 2 to 16 kHz  |
| <b>Rated currents</b>                            | 4 to 1100 A @ 40°C   |
| <b>Motor cable length</b>                        | 30 m max. @ 16 kHz (derating curve next page)  |
| <b>Impedance (uk)</b>                            | 0.8% @ 400 VAC, 50 Hz & rated current  |
| <b>Typical dv/dt reduction</b>                   | ≥factor 5  |
| <b>High potential test voltage</b>               | P → E 3000 VAC for 3 sec<br>P → P 3000 VAC for 3 sec   |
| <b>Protection category</b>                       | IP 00 (KL types according to VBG 4)  |
| <b>Overload capability</b>                       | 2 x rated current at switch on for 30 seconds<br>1.5 x rated current for 1 minute, once per hour |
| <b>Temperature range (operation and storage)</b> | -25°C to +100°C (25/100/21)  |
| <b>Insulation class</b>                          | T40/N (200°C) for ≤182 A types<br>T40/F (155°C) for ≥230 A types                                 |
| <b>Flammability corresponding to</b>             | UL 94 V-2 or better  |
| <b>Design corresponding to</b>                   | EN 61558-2-20 (VDE 0570-2-20), UL 508C, CSA C22.2 NO. 14   |
| <b>MTBF @ 40°C/400 V (Mil-HB-217F)</b>           | >500,000 hours   |

### Typical applications

- Servo drives
- Close loop vector drives
- Motor drive applications with short motor cables
- Machinery comprising servo or torque motors
- Robots
- Pick and place machines

### Typical electrical schematic



### Reactor selection table

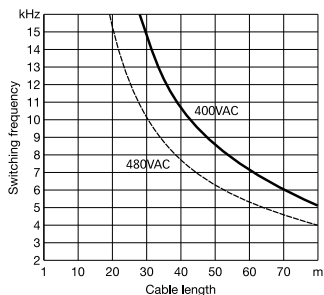
| Reactor        | Rated current<br>@ 40°C | Typical motor<br>power rating* | Nominal<br>inductance | Typical<br>power loss** | Input/Output<br>connections   |   |   | Weight<br>Total |
|----------------|-------------------------|--------------------------------|-----------------------|-------------------------|---|---|---|-----------------|
|                | [A]                     | [kW]                           | [mH]                  | [W]                     |  |  |  | [kg]            |
| RWK 305-4-KL   | 4                       | 1.5                            | 1.47                  | 22                      | KL  |   |   | 1.2             |
| RWK 305-7.8-KL | 7.8                     | 3                              | 0.754                 | 25                      | KL  |   |   | 1.2             |
| RWK 305-10-KL  | 10                      | 4                              | 0.588                 | 30                      | KL  |   |   | 1.8             |
| RWK 305-14-KL  | 14                      | 5.5                            | 0.42                  | 34                      | KL  |   |   | 2.2             |
| RWK 305-17-KL  | 17                      | 7.5                            | 0.346                 | 38                      | KL  |   |   | 2.5             |
| RWK 305-24-KL  | 24                      | 11                             | 0.245                 | 45                      | KL  |   |   | 2.5             |
| RWK 305-32-KL  | 32                      | 15                             | 0.184                 | 55                      | KL  |   |   | 3.9             |
| RWK 305-45-KL  | 45                      | 22                             | 0.131                 | 60                      | KL  |   |   | 6.1             |
| RWK 305-60-KL  | 60                      | 30                             | 0.098                 | 65                      | KL  |   |   | 6.1             |
| RWK 305-72-KL  | 72                      | 37                             | 0.082                 | 70                      | KL  |   |   | 6.1             |
| RWK 305-90-KL  | 90                      | 45                             | 0.065                 | 75                      | KL  |   |   | 7.4             |
| RWK 305-110-KL | 110                     | 55                             | 0.053                 | 90                      | KL  |   |   | 8.2             |
| RWK 305-124-KS | 124                     | 55                             | 0.047                 | 110                     |   | KS  |   | 8.2             |
| RWK 305-143-KS | 143                     | 75                             | 0.041                 | 115                     |   | KS  |   | 10.7            |
| RWK 305-156-KS | 156                     | 75                             | 0.038                 | 120                     |   | KS  |   | 10.7            |
| RWK 305-170-KS | 170                     | 90                             | 0.035                 | 130                     |   | KS  |   | 10.7            |
| RWK 305-182-KS | 182                     | 90                             | 0.032                 | 140                     |   | KS  |   | 16              |
| RWK 305-230-KS | 230                     | 132                            | 0.026                 | 180                     |   | KS  |   | 22              |
| RWK 305-280-KS | 280                     | 160                            | 0.021                 | 220                     |   | KS  |   | 29              |
| RWK 305-330-KS | 330                     | 160                            | 0.018                 | 240                     |   | KS  |   | 32              |
| RWK 305-400-S  | 400                     | 200                            | 0.015                 | 330                     |   |   | S   | 34              |
| RWK 305-500-S  | 500                     | 250                            | 0.012                 | 340                     |   |   | S   | 35              |
| RWK 305-600-S  | 600                     | 355                            | 0.01                  | 380                     |   |   | S   | 37              |
| RWK 305-680-S  | 680                     | 400                            | 0.009                 | 410                     |   |   | S   | 38              |
| RWK 305-790-S  | 790                     | 450                            | 0.007                 | 590                     |   |   | S   | 43              |
| RWK 305-910-S  | 910                     | 500                            | 0.006                 | 740                     |   |   | S   | 49              |
| RWK 305-1100-S | 1100                    | 630                            | 0.005                 | 760                     |   |   | S   | 66              |

\* General purpose four-pole (1500 r/min) AC induction motor rated 400 V/50 Hz.

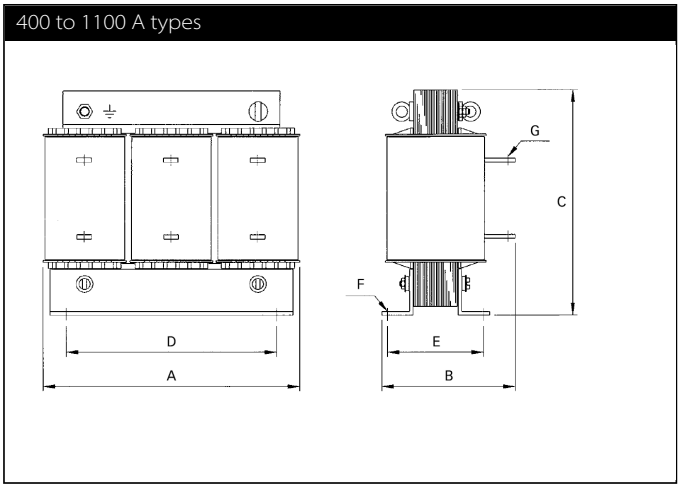
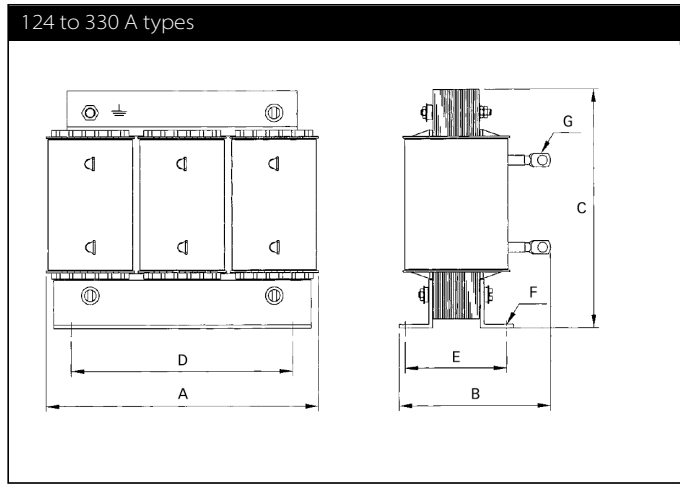
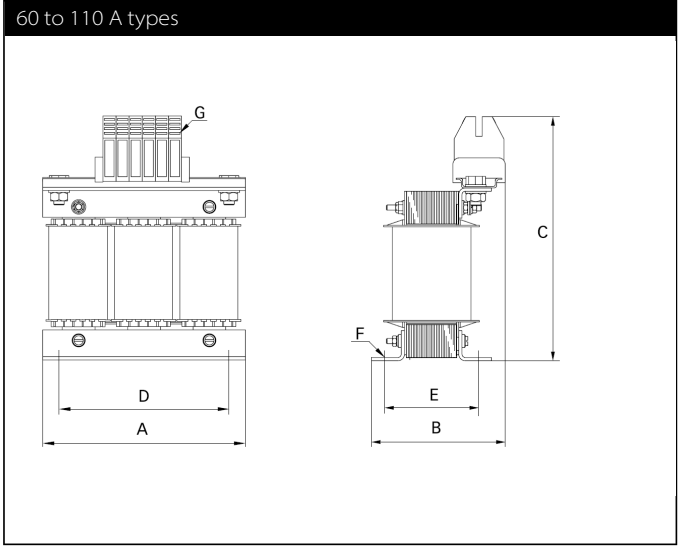
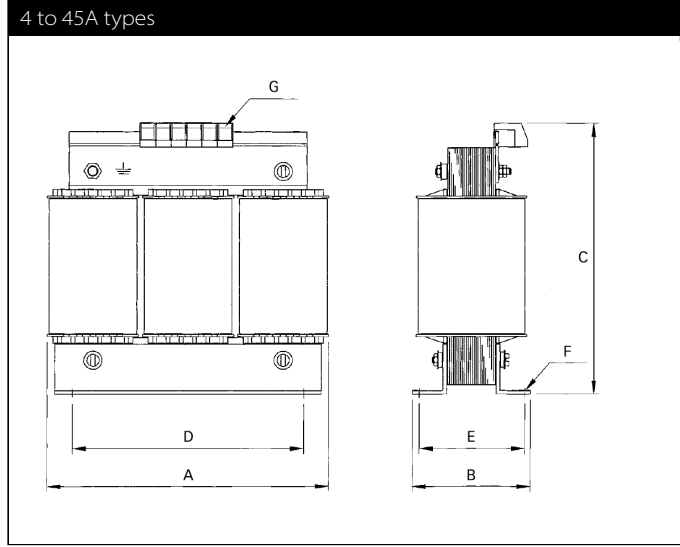
\*\* Exact value depends upon the motor cable type and length, switching frequency, motor frequency and further stray parameters within the system.

### Reactor derating

The maximum admissible motor cable length depends mainly on the switching frequency and the drive output voltage. The applicable value for a given application can be found in the derating curve below.



**Mechanical data**



## Dimensions

|                      | A   | B        | C        | D   | E   | F       | G                   |
|----------------------|-----|----------|----------|-----|-----|---------|---------------------|
| <b>4 and 7.8 A</b>   | 100 | max. 60  | max. 115 | 56  | 34  | 4.8 x 9 | 2.5 mm <sup>2</sup> |
| <b>10 A</b>          | 100 | max. 70  | max. 115 | 56  | 43  | 4.8 x 9 | 2.5 mm <sup>2</sup> |
| <b>14 A</b>          | 125 | max. 70  | max. 135 | 100 | 45  | 5 x 8   | 2.5 mm <sup>2</sup> |
| <b>17 A</b>          | 125 | max. 75  | max. 135 | 100 | 55  | 5 x 8   | 2.5 mm <sup>2</sup> |
| <b>24 A</b>          | 125 | max. 75  | max. 135 | 100 | 55  | 5 x 8   | 4 mm <sup>2</sup>   |
| <b>32 A</b>          | 155 | max. 95  | max. 170 | 130 | 56  | 8 x 12  | 10 mm <sup>2</sup>  |
| <b>45 A</b>          | 155 | max. 110 | max. 190 | 130 | 72  | 8 x 12  | 10 mm <sup>2</sup>  |
| <b>60 and 72 A</b>   | 155 | max. 125 | max. 190 | 130 | 70  | 8 x 12  | 16 mm <sup>2</sup>  |
| <b>90 A</b>          | 190 | max. 115 | max. 225 | 170 | 57  | 8 x 12  | 35 mm <sup>2</sup>  |
| <b>110 A</b>         | 190 | max. 130 | max. 220 | 170 | 67  | 8 x 12  | 35 mm <sup>2</sup>  |
| <b>124 A</b>         | 190 | max. 180 | max. 160 | 170 | 67  | 8 x 12  | Ø 8                 |
| <b>143 A</b>         | 190 | max. 180 | max. 160 | 170 | 77  | 8 x 12  | Ø 8                 |
| <b>156 AND 170 A</b> | 190 | max. 180 | max. 160 | 170 | 77  | 8 x 12  | Ø 10                |
| <b>182 A</b>         | 210 | max. 180 | max. 185 | 175 | 95  | 8 x 12  | Ø 10                |
| <b>230 A</b>         | 240 | 220      | 220      | 190 | 119 | 11 x 15 | Ø 12                |
| <b>280 A</b>         | 240 | 235      | 220      | 190 | 133 | 11 x 15 | Ø 12                |
| <b>330 A</b>         | 240 | 240      | 220      | 190 | 135 | 11 x 15 | Ø 12                |
| <b>400 and 500 A</b> | 240 | 220      | 325      | 190 | 119 | 11 x 15 | Ø 11                |
| <b>600 and 680 A</b> | 240 | 230      | 325      | 190 | 128 | 11 x 15 | Ø 14                |
| <b>790 A</b>         | 300 | 218      | 355      | 240 | 136 | 11 x 15 | 2 x Ø 11            |
| <b>910 A</b>         | 300 | 228      | 355      | 240 | 148 | 11 x 15 | 2 x Ø 11            |
| <b>1100 A</b>        | 360 | 250      | 380      | 310 | 144 | 11 x 15 | 2 x Ø 11            |

All dimensions in mm; 1 inch = 25.4 mm  
Tolerances according: ISO 2768-m / EN 22768-m

Please visit [www.schaffner.com](http://www.schaffner.com) to find more details on filter connectors.



## Headquarters, global innovation and development

### Switzerland

#### Schaffner Group

Nordstrasse 11  
4542 Luterbach  
T +41 32 681 66 26  
[info@schaffner.com](mailto:info@schaffner.com)  
[www.schaffner.com](http://www.schaffner.com)



## Sales and application centers

### China

#### Schaffner EMC Ltd. Shanghai

T20-3 C, No 565 Chuangye Road,  
Pudong district  
201201 Shanghai  
T +86 21 3813 9500  
[cschina@schaffner.com](mailto:cschina@schaffner.com)  
[www.schaffner.com.cn](http://www.schaffner.com.cn)

### Finland

#### Schaffner Oy

Sauvonrinne 19 H  
08500 Lohja  
T +358 50 468 7284  
[finlandsales@schaffner.com](mailto:finlandsales@schaffner.com)

### France

#### Schaffner EMC S.A.S.

16-20 Rue Louis Rameau  
95875 Bezons  
T +33 1 34 34 30 60  
F +33 1 39 47 02 28  
[francesales@schaffner.com](mailto:francesales@schaffner.com)

### Germany

#### Schaffner Deutschland GmbH

Schoemperlenstrasse 12B  
76185 Karlsruhe  
T +49 721 56910  
F +49 721 569110  
[germanysales@schaffner.com](mailto:germanysales@schaffner.com)

### India

#### Schaffner India Pvt. Ltd

REGUS WORLD TRADE CENTRE  
WTC, 22nd Floor Unit No 2238, Brigade  
Gateway Campus, 26/1, Dr. Rajkumar Road  
Malleswaram (W)  
560055 Bangalore  
T +91 80 67935355  
[indiasales@schaffner.com](mailto:indiasales@schaffner.com)

### Italy

#### Schaffner EMC S.r.l.

Via Ticino, 30  
20900 Monza (MB)  
T +39 039 21 41 070  
[italysales@schaffner.com](mailto:italysales@schaffner.com)

### Japan

#### Schaffner EMC K.K.

1-32-12, Kamiyama, Setagaya-ku  
7F Mitsui-seimei Sangenjaya Bldg.  
154-0011 Tokyo  
T +81 3 5712 3650  
F +81 3 5712 3651  
[japansales@schaffner.com](mailto:japansales@schaffner.com)  
[www.schaffner.jp](http://www.schaffner.jp)

### Singapore

#### Schaffner EMC Pte Ltd.

#05-09, Kg Ubi Ind. Estate  
408705 Singapore  
T +65 6377 3283  
F +65 6377 3281  
[singaporesales@schaffner.com](mailto:singaporesales@schaffner.com)

### Spain

#### Schaffner EMC España

Calle Caléndula 93, Miniparc III, Edificio E  
El Soto de Moraleja, Alcobendas  
28109 Madrid  
T +34 917 912 900  
F +34 917 912 901  
[spainsales@schaffner.com](mailto:spainsales@schaffner.com)

### Sweden

#### Schaffner EMC AB

Tegeluddsvägen 76, 2tr  
115 28 Stockholm  
T +46 8 5050 2425  
[swedensales@schaffner.com](mailto:swedensales@schaffner.com)  
[www.schaffner.com](http://www.schaffner.com)

### Switzerland

#### Schaffner EMV AG

Nordstrasse 11  
4542 Luterbach  
T +41 32 681 66 26  
[switzerlandsales@schaffner.com](mailto:switzerlandsales@schaffner.com)

### Taiwan R.O.C.

#### Schaffner EMV Ltd.

20 Floor-2, No 97, Section 1, XinTai 5th Road  
22175 XiZhi District New Taipei City 22175  
T +886 2 2697 5500  
F +886 2 2697 5533  
[taiwansales@schaffner.com](mailto:taiwansales@schaffner.com)  
[www.schaffner.com.tw](http://www.schaffner.com.tw)

### Thailand

#### Schaffner EMC Co. Ltd.

Northern Region Industrial Estate  
67 Moo 4 Tambon Ban Klang  
Amphur Muangng P.O. Box 14  
51000 Lamphun  
T +66 53 58 11 04  
F +66 53 58 10 19  
[thailandsales@schaffner.com](mailto:thailandsales@schaffner.com)

### United Kingdom

#### Schaffner Ltd.

5 Ashville Way, Molly Millars Lane  
Wokingham  
RG41 2PL Berkshire  
T +44 118 9770070  
F +44 118 9792969  
[uksales@schaffner.com](mailto:uksales@schaffner.com)

### USA

#### Schaffner EMC Inc.

52 Mayfield Avenue  
08837 Edison, New Jersey  
T +1 800 367 5566  
T +1 732 225 9533  
F +1 732 225 4789  
[usasales@schaffner.com](mailto:usasales@schaffner.com)  
[www.schaffnerusa.com](http://www.schaffnerusa.com)

#### Schaffner North America

6722 Thirlane Road  
24019 Roanoke, Virginia  
T +1 276 228 7943  
F +1 276 228 7953

#### Schaffner North America

823 Fairview Road  
24382 Wytheville, Virginia  
T +1 276 228 7943  
F +1 276 228 7258

To find your local partner within Schaffner's global network: [www.schaffner.com](http://www.schaffner.com)

© 2018 Schaffner Group

The content of this document has been carefully checked and understood. However, neither Schaffner nor its subsidiaries assume any liability whatsoever for any errors or inaccuracies of this document and the consequences thereof. Published specifications are subject to change without notice. Product suitability for any area of application must ultimately be determined by the customer. In all cases, products must never be operated outside their published specifications. Schaffner does not guarantee the availability of all published products. This disclaimer shall be governed by substantive Swiss law and resulting disputes shall be settled by the courts at the place of business of Schaffner Holding AG. Latest publications and a complete disclaimer can be downloaded from the Schaffner website. All trademarks recognized.

## Данный компонент на территории Российской Федерации

### Вы можете приобрести в компании MosChip.

Для оперативного оформления запроса Вам необходимо перейти по данной ссылке:

<http://moschip.ru/get-element>

Вы можете разместить у нас заказ для любого Вашего проекта, будь то серийное производство или разработка единичного прибора.

В нашем ассортименте представлены ведущие мировые производители активных и пассивных электронных компонентов.

Нашей специализацией является поставка электронной компонентной базы двойного назначения, продукции таких производителей как XILINX, Intel (ex.ALTERA), Vicor, Microchip, Texas Instruments, Analog Devices, Mini-Circuits, Amphenol, Glenair.

Сотрудничество с глобальными дистрибьюторами электронных компонентов, предоставляет возможность заказывать и получать с международных складов практически любой перечень компонентов в оптимальные для Вас сроки.

На всех этапах разработки и производства наши партнеры могут получить квалифицированную поддержку опытных инженеров.

Система менеджмента качества компании отвечает требованиям в соответствии с ГОСТ Р ИСО 9001, ГОСТ РВ 0015-002 и ЭС РД 009

### Офис по работе с юридическими лицами:

105318, г.Москва, ул.Щербаковская д.3, офис 1107, 1118, ДЦ «Щербаковский»

Телефон: +7 495 668-12-70 (многоканальный)

Факс: +7 495 668-12-70 (доб.304)

E-mail: [info@moschip.ru](mailto:info@moschip.ru)

Skype отдела продаж:

moschip.ru

moschip.ru\_4

moschip.ru\_6

moschip.ru\_9