

Acceleration loop powered sensors with dynamic vibration output

PC420A-Dz dual output series

Wilcoxon's 4-20 mA vibration sensors integrate easily with an existing PLC, DCS or SCADA system. The PC420A-Dz series dual output sensors provide 24/7 monitoring of overall machine vibration for continuous trending, alerting users to changing machine conditions and helping to guide maintenance in prioritizing the need for service. The choice of true RMS, true peak or peak output allows you to choose the sensor that best fits your industrial requirements. The 4-20 mA output of the PC420A series is proportional to acceleration vibration. The dynamic output signal is derived from an internal buffered amplifier and requires that the 4-20 mA loop be powered.

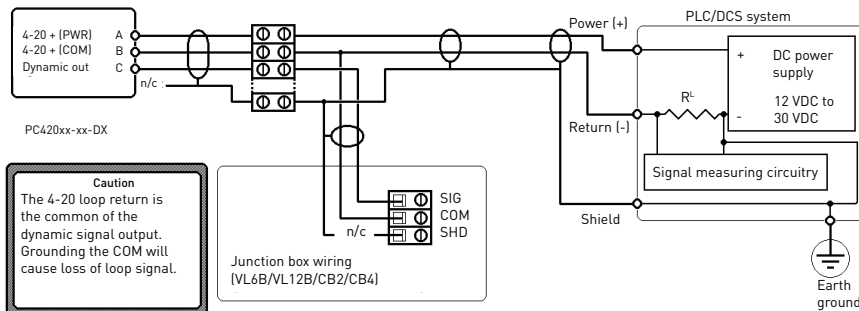
Table 1: PC420Ax-yy-Dz dual output model selection guide

| x (4-20 mA output type) | yy (4-20 mA full scale) | z (dynamic scale) |
|----------------------------|-------------------------------------|----------------------------|
| R = RMS output | 05 = 5 g (49 m/sec ²) | A = acceleration, 100 mV/g |
| P = calculated peak output | 10 = 10 g (98 m/sec ²) | V = velocity, 100 mV/ips |
| TP = true peak output | 20 = 20 g (196 m/sec ²) | |

Key features

- Choice of peak equivalent, true RMS or true peak output
- Dynamic signal output
- Easily integrated into existing process control systems
- Manufactured in an approved ISO 9001 facility

Wiring diagram



Note: Dynamic output must be galvanically isolated when connected to an on time system.

Certifications



Note: Due to continuous process improvement, specifications are subject to change without notice. This document is cleared for public release.

Acceleration loop powered sensors with dynamic vibration output

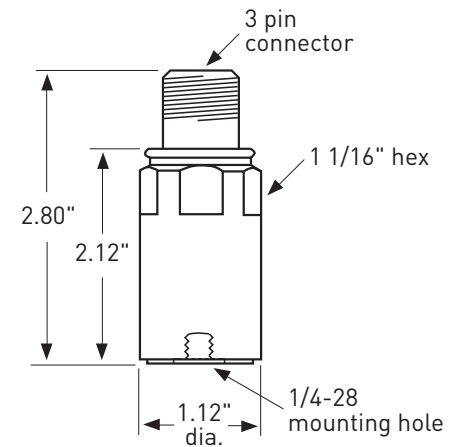
PC420A-Dz dual output series

SPECIFICATIONS

| | | |
|--|------------------------------------|-------------------------------------|
| Output, 4-20 mA: | | |
| Full scale 20 mA, ±5% | see Table 1 on page 1 | |
| Frequency response: | ±10% ±3 dB | 10 Hz - 1.0 kHz 4.0 Hz - 2.0 kHz |
| Repeatability | ±2% | |
| Transverse sensitivity, max | 5% | |
| Dynamic output: | PC420A-DA | PC420A-DV |
| Sensitivity, ±10% | 100 mV/g | 100 mV/in/sec |
| Full scale | 20 g | 1.5 ips at 1 kHz |
| Frequency response, ±3 dB | 2.5 Hz - 10 kHz | 2.5 Hz - 2.5 kHz |
| Amplitude nonlinearity, max | 1% | |
| Resonant frequency, mounted, nominal | 25 kHz | |
| Transverse sensitivity, max | 5% | |
| Power requirements (2-wire loop power): | | |
| Voltage at sensor terminal | 12 - 30 VDC | |
| Loop resistance ¹ at 24 VDC, max | 700 Ω | |
| Turn on time, 4-20 mA loop | < 30 sec | |
| Dynamic output, bias output voltage | +3.3 VDC, re: connector pin B | |
| Dynamic output noise, equiv. g: | PC420A-DA 2 mg | PC420A-DV 0.002 ips |
| 2.5 Hz - 10 kHz | | |
| Grounding | case isolated, internally shielded | |
| Temperature range | -40° to +85°C | |
| Vibration limit | 250 g peak | |
| Shock limit | 2,500 g peak | |
| Sealing | hermetic | |
| Sensing element design | PZT ceramic / shear | |
| Weight | 162 grams | |
| Case material | 316L stainless steel | |
| Mounting | 1/4-28 tapped hole | |
| Output connector | 3 pin, MIL-C-5015 style | |
| Mating connector | R6G type | |
| Recommended cabling | J9T3A | |

Accessories supplied: SF6 mounting stud; calibration data (level 2)

| Connections | |
|-----------------------------------|---------------|
| Function | Connector pin |
| loop positive (+) | A |
| loop negative (-), dynamic common | B |
| dynamic output | C |
| ground | shell |



Notes: ¹ Maximum loop resistance (R_L) can be calculated by:

$$R_L = \frac{V_{DC\ power} - 10\ V}{20\ mA}$$

| DC supply voltage | R_L (max resistance) ² | R_L (minimum wattage capability) ³ |
|-------------------|-------------------------------------|---|
| 12 VDC | 100 Ω | 1/8 watt |
| 20 VDC | 500 Ω | 1/4 watt |
| 24 VDC | 700 Ω | 1/2 watt |
| 26 VDC | 800 Ω | 1/2 watt |
| 30 VDC | 1,000 Ω | 1/2 watt |

² Lower resistance is allowed, greater than 10 Ω recommended.

³ Minimum R_L wattage determined by: $(0.0004 \times R_L)$.

Note: Due to continuous process improvement, specifications are subject to change without notice. This document is cleared for public release.

Данный компонент на территории Российской Федерации

Вы можете приобрести в компании MosChip.

Для оперативного оформления запроса Вам необходимо перейти по данной ссылке:

<http://moschip.ru/get-element>

Вы можете разместить у нас заказ для любого Вашего проекта, будь то серийное производство или разработка единичного прибора.

В нашем ассортименте представлены ведущие мировые производители активных и пассивных электронных компонентов.

Нашей специализацией является поставка электронной компонентной базы двойного назначения, продукции таких производителей как XILINX, Intel (ex.ALTERA), Vicor, Microchip, Texas Instruments, Analog Devices, Mini-Circuits, Amphenol, Glenair.

Сотрудничество с глобальными дистрибьюторами электронных компонентов, предоставляет возможность заказывать и получать с международных складов практически любой перечень компонентов в оптимальные для Вас сроки.

На всех этапах разработки и производства наши партнеры могут получить квалифицированную поддержку опытных инженеров.

Система менеджмента качества компании отвечает требованиям в соответствии с ГОСТ Р ИСО 9001, ГОСТ РВ 0015-002 и ЭС РД 009

Офис по работе с юридическими лицами:

105318, г.Москва, ул.Щербаковская д.3, офис 1107, 1118, ДЦ «Щербаковский»

Телефон: +7 495 668-12-70 (многоканальный)

Факс: +7 495 668-12-70 (доб.304)

E-mail: info@moschip.ru

Skype отдела продаж:

moschip.ru

moschip.ru_4

moschip.ru_6

moschip.ru_9